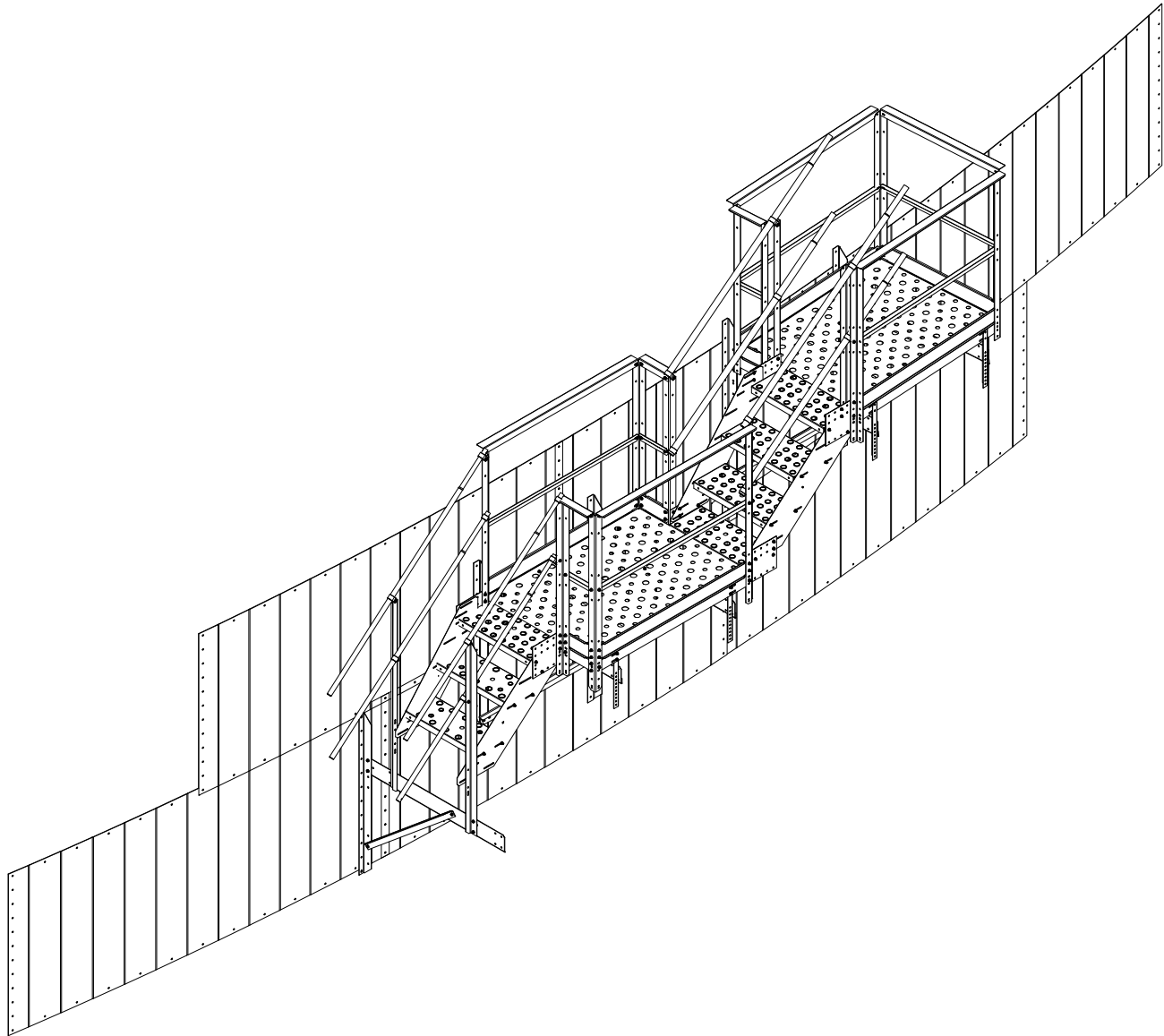


# Easy Step Sidewall stairs with ES8644 platform

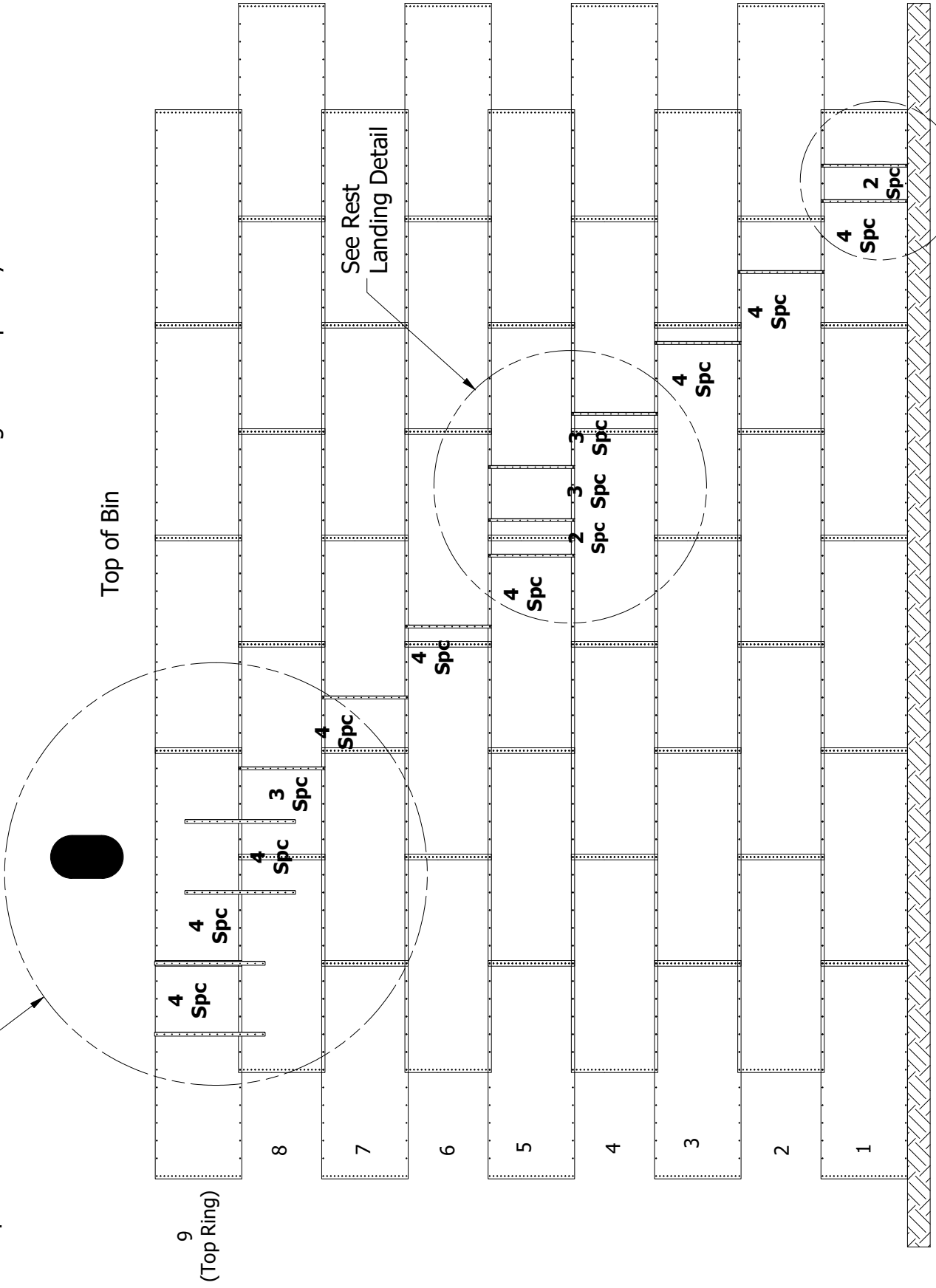


# Table of Contents

i. Layout Page	<u>3</u>
ii. Assembly	
1. ES8644	4
2. ES4400	21
3. ES3644	27
iii. Bottom Section	32
iv. Handrail	34

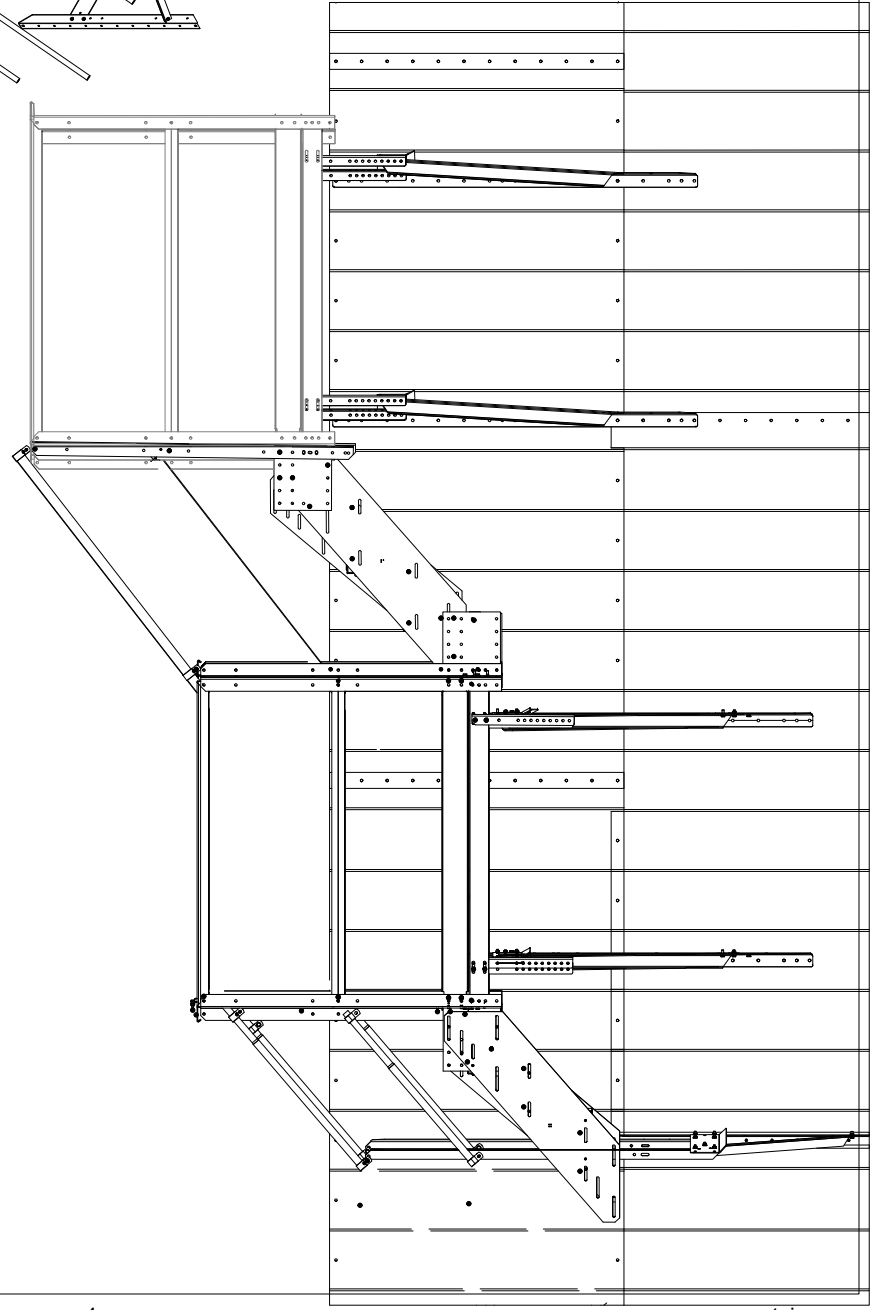
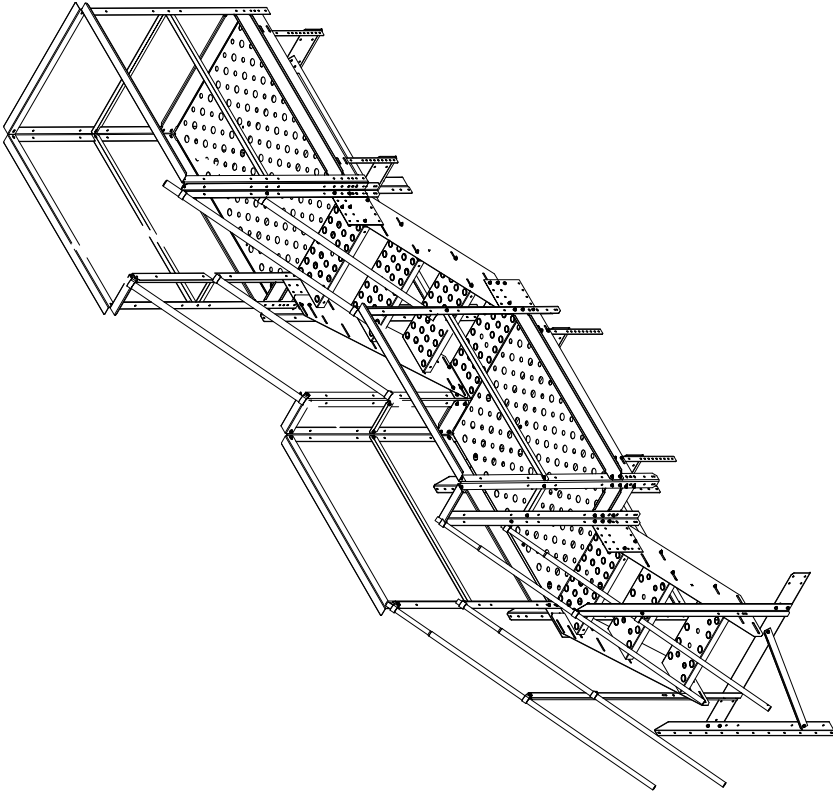
Easy Step 44" Sidewall Stairs with ES8644 Hi Lo Platforms,  
9-Ring Bin Sample Layout

See Top Platform Detail



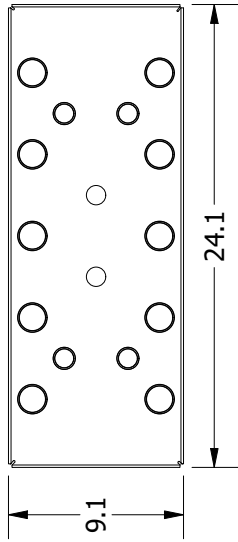
See Bottom Section Detail

# ES8622 and ES8544 Assembly Instructions Greene Galvanized Stairs

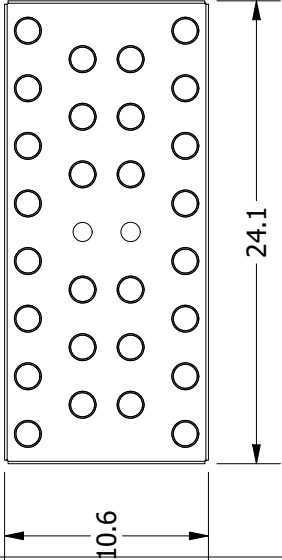


# Parts List

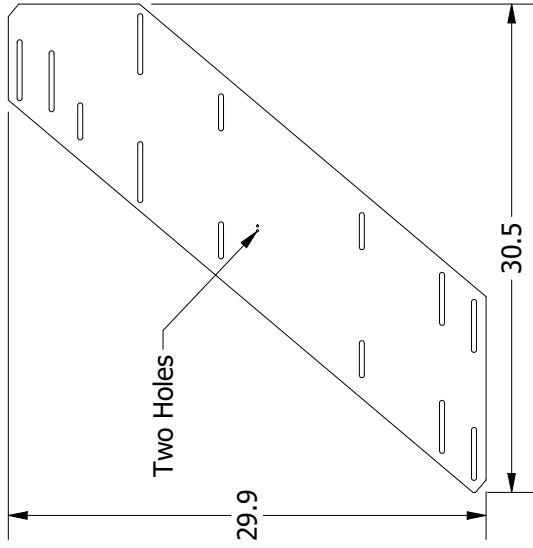
ES-0006



ART-0006

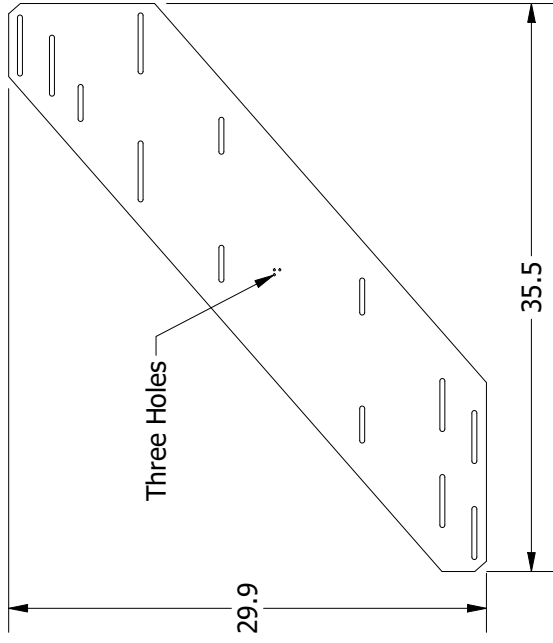


ES-8602



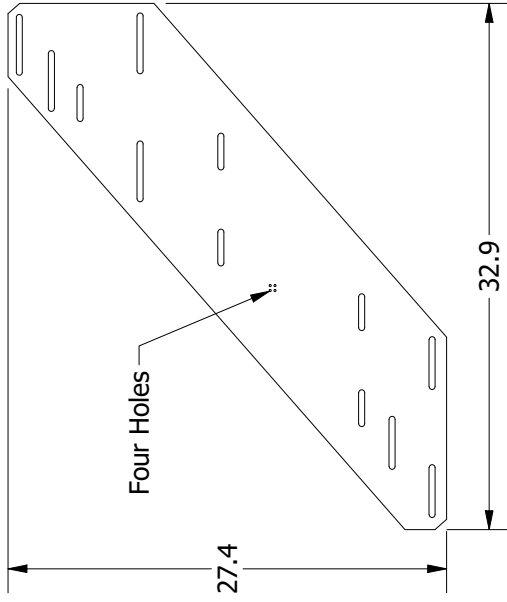
Two Holes

ES-8603



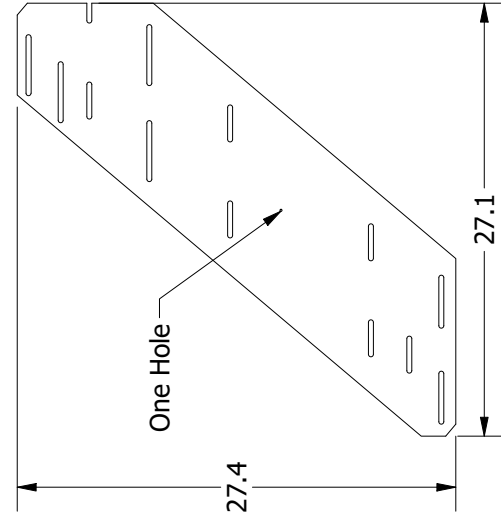
Three Holes

ES-8604



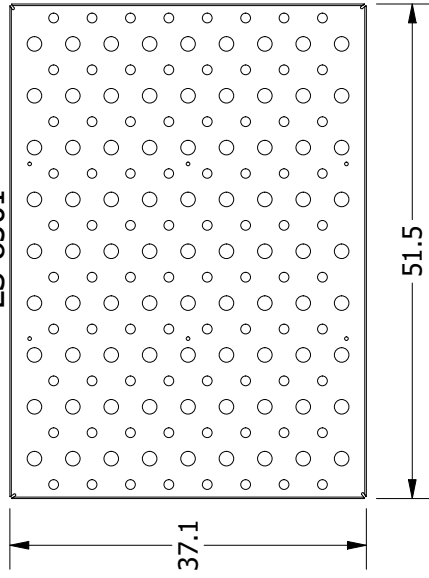
Four Holes

ES-8601

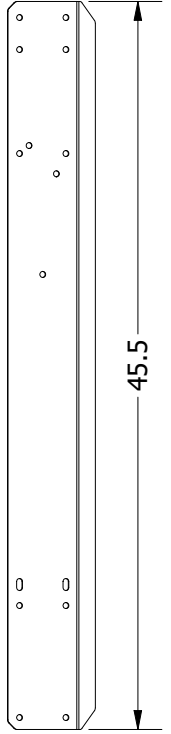


One Hole

ES-8501

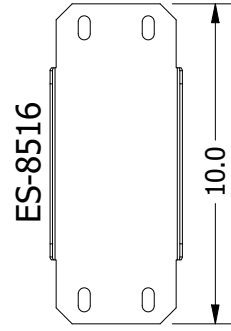
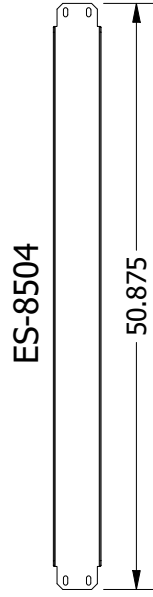
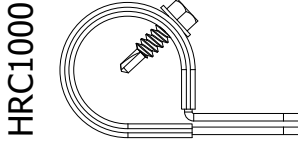
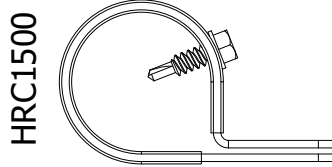
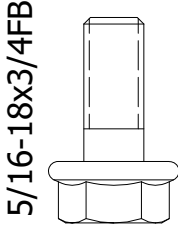
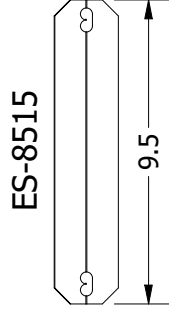
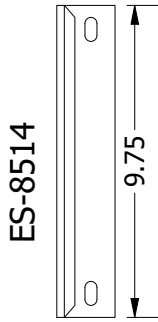
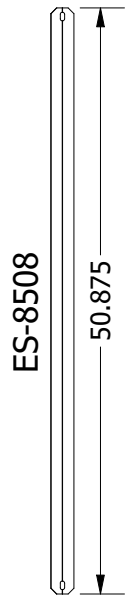
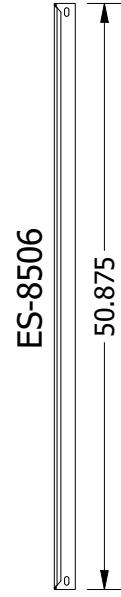
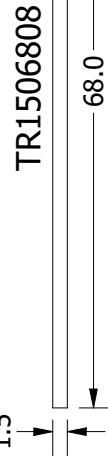
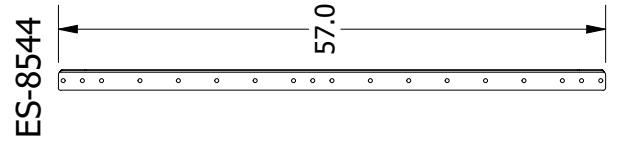
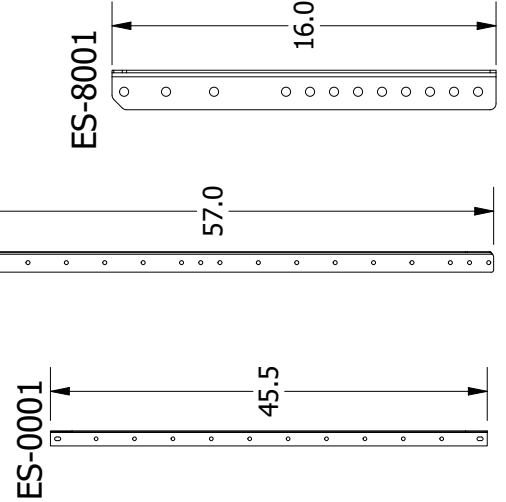
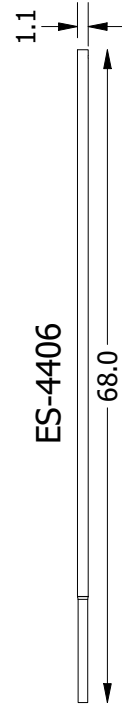
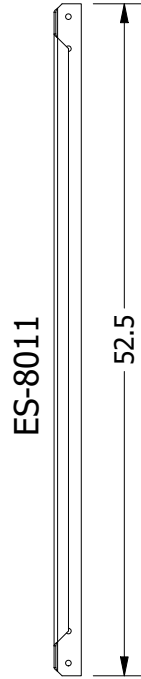
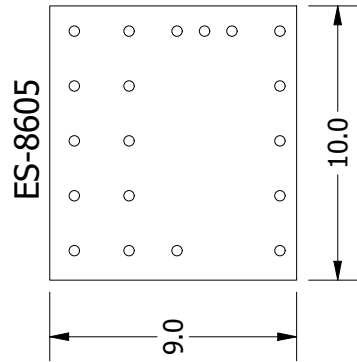
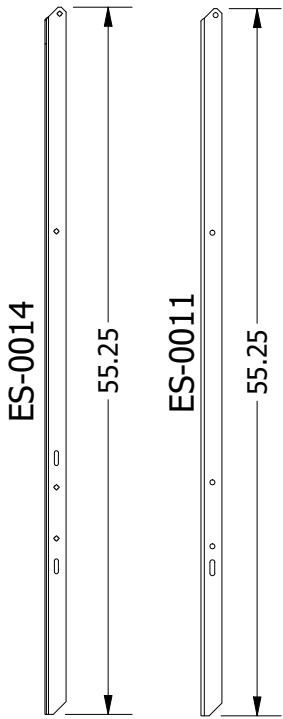


ES-8002



DRAWN	2/9/2018	Greene Galvanized Stairs East Lynn, IL 217.375.4244 www.greenestairs.com
CHECKED		
QA		
MFG		
APPROVED		TITLE
		SIZE
		SCALE
		REV
		DWG NO
		ES8622_Assembly_Instructions
		1/10
		1
		OF
		17

# Parts List (Continued)



DRAWN	2/9/2018	Greene Galvanized Stairs
CHECKED		East Lynn, IL 217.375.4244
QA		www.greenestairs.com
MFG		TITLE
APPROVED		
SIZE	A	DWG NO
SCALE	1/15	ES8622_Assembly_Instructions
		REV
		SHEET 3 OF 17

## PARTS LIST

ITEM	QTY	PART NUMBER	DESCRIPTION
1	1	ES-0001	Easy Step Wall Base
2	1	ES-8002	Bracket Extended Stair Wall Cross
3	1	ES-0014	Inside Handrail Post
4	1	ES-0021	Easy Step Knee Brace
5	1	ES-0011	Easy Step Stair Post
6	144	5/16-18x3/4FB	5/16"-18 x 13/4" Flange Bolt
7	156	5/16-18SFN	5/16"-18 Whiz Lock Nut
8	1	ES-8601	Plate Siderail Inside Lower
9	1	ES-8604	Plate Siderail Inside Upper
10	2	ES-0006	Easy Step Stair Step
11	5	ART-0006	A-Series Stair Step
12	6	ES-8605	Plate Siderail Extension
13	2	ES-8002	Eave Wall Cross
14	2	ES-8544	44" Wall Brace
15	2	ES-8011	Knee Brace
16	4	ES-8001	Eave Platform Mount Post
17	1	ES-8501	Platform Deck Skin
18	2	ES-8008	Platform Mid Brace
19	10	ES-8303	Eave Platform Post
20	2	ES-8516 plat entry keyboard	49.5 x 5 x 14 ga
21	2	ES-8504	Platform Side Kickboard
22	2	ES-8514	Plat Entry Handrail
23	2	ES-8515	Plat Entry Int Rail
24	2	ES-8506	Platform Long Handrail
25	2	ES-8508	Platform Side Intermediate Rail
26	1	ES-8602	Plate Siderail Inside Upper
27	1	ES-8603	Plate Siderail Outside Upper
28	4	ES-4406	Easy Step 44 Handrail
29	4	TR1506808	Upper Run Handrail
30	8	HRC1500	1.5" Handrail Clamp
31	8	HRC1000	1.0" Handrail Clamp
32	16	Floorscrews	Self-tapping Handrail Clamp Screws
32	1	ES8444 stair top eave platform end	

DRAWN  
MARCUS  
CHECKED

2/9/2018

QA

MFG

APPROVED

TITLE

SIZE

A

DWG NO

ES8622\_Assembly\_Instructions

REV

SCALE

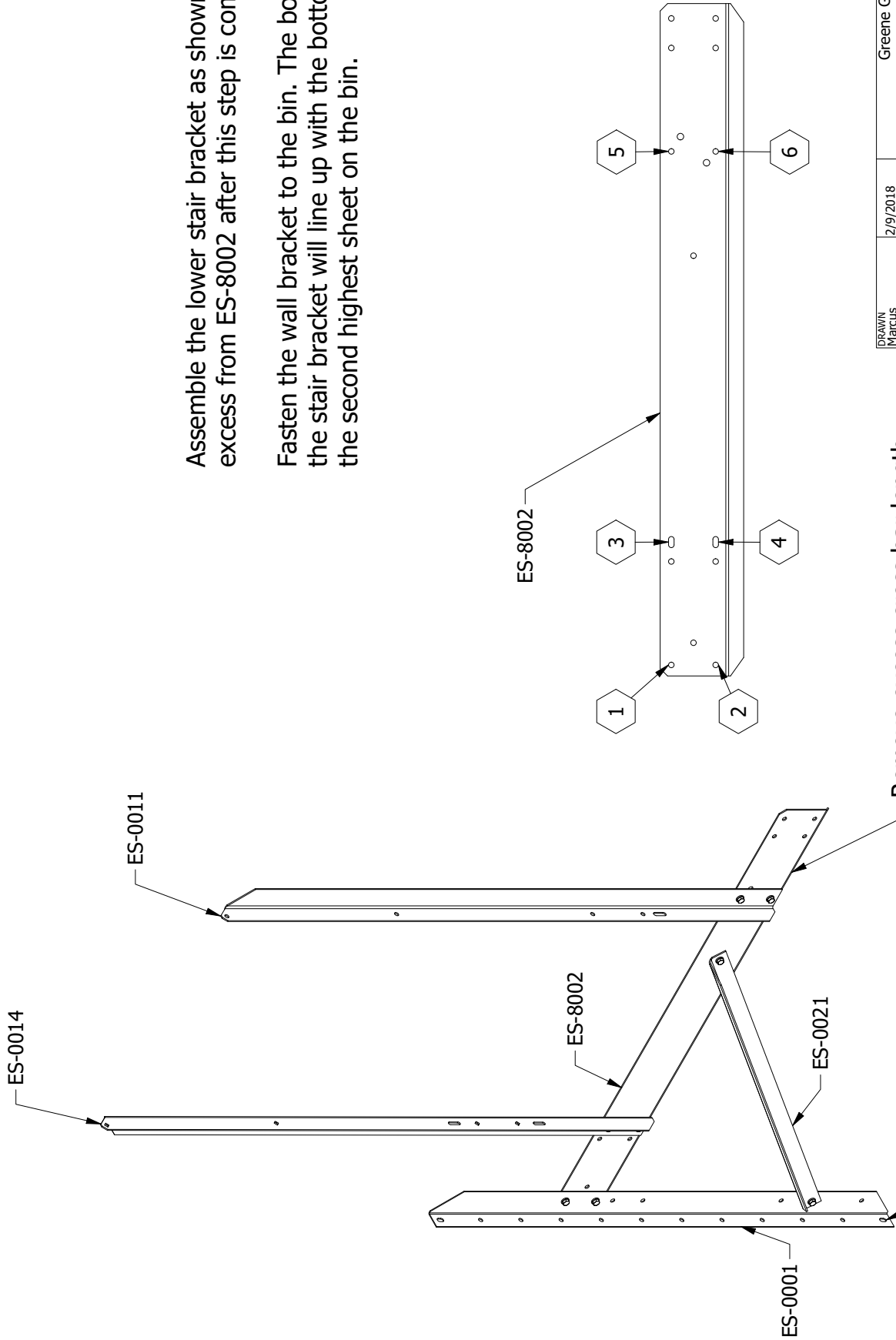
SHEET 4 OF 17

Greene Galvanized Stairs  
East Lynn, IL 217.375.4244  
www.greenestairs.com

# STEP 1

Assemble the lower stair bracket as shown. Trim any excess from ES-8002 after this step is completed.

Fasten the wall bracket to the bin. The bottom hole on the stair bracket will line up with the bottom hole of the second highest sheet on the bin.



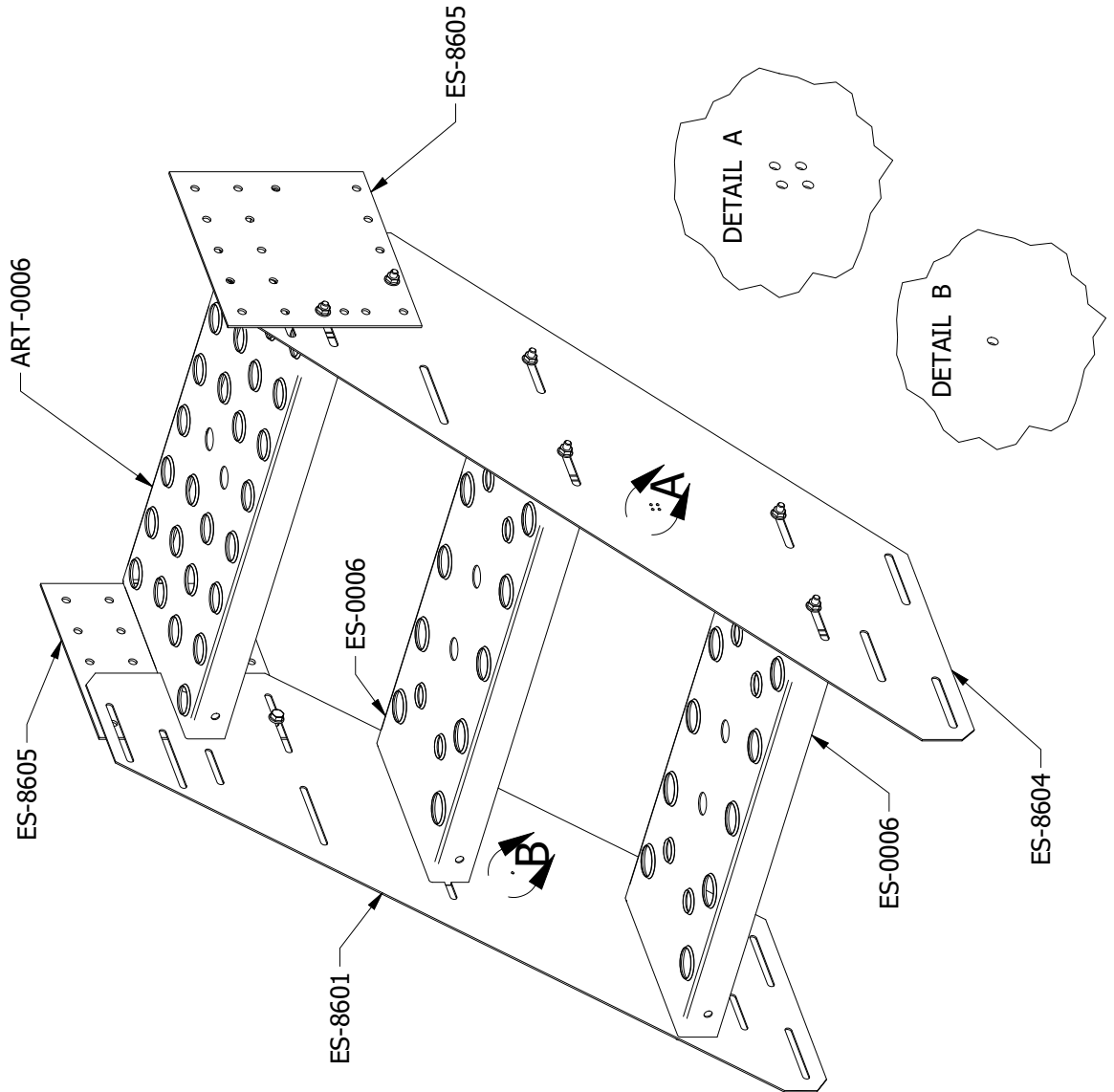
DRAWN MARCUS	2/9/2018	Greene Galvanized Stairs East Lynn, IL 217.375.4244 www.greenestairs.com
CHECKED		
QA		TITLE
PMFG		
APPROVED		
SIZE A	DWG NO ES8622_Assembly_Instructions	REV
SCALE 1/12		
		SHEET 5 OF 17



# STEP 2

Assemble the lower stair section as shown. Note that the lower two stair treads are ES-0006's and the upper is an ART-0006.

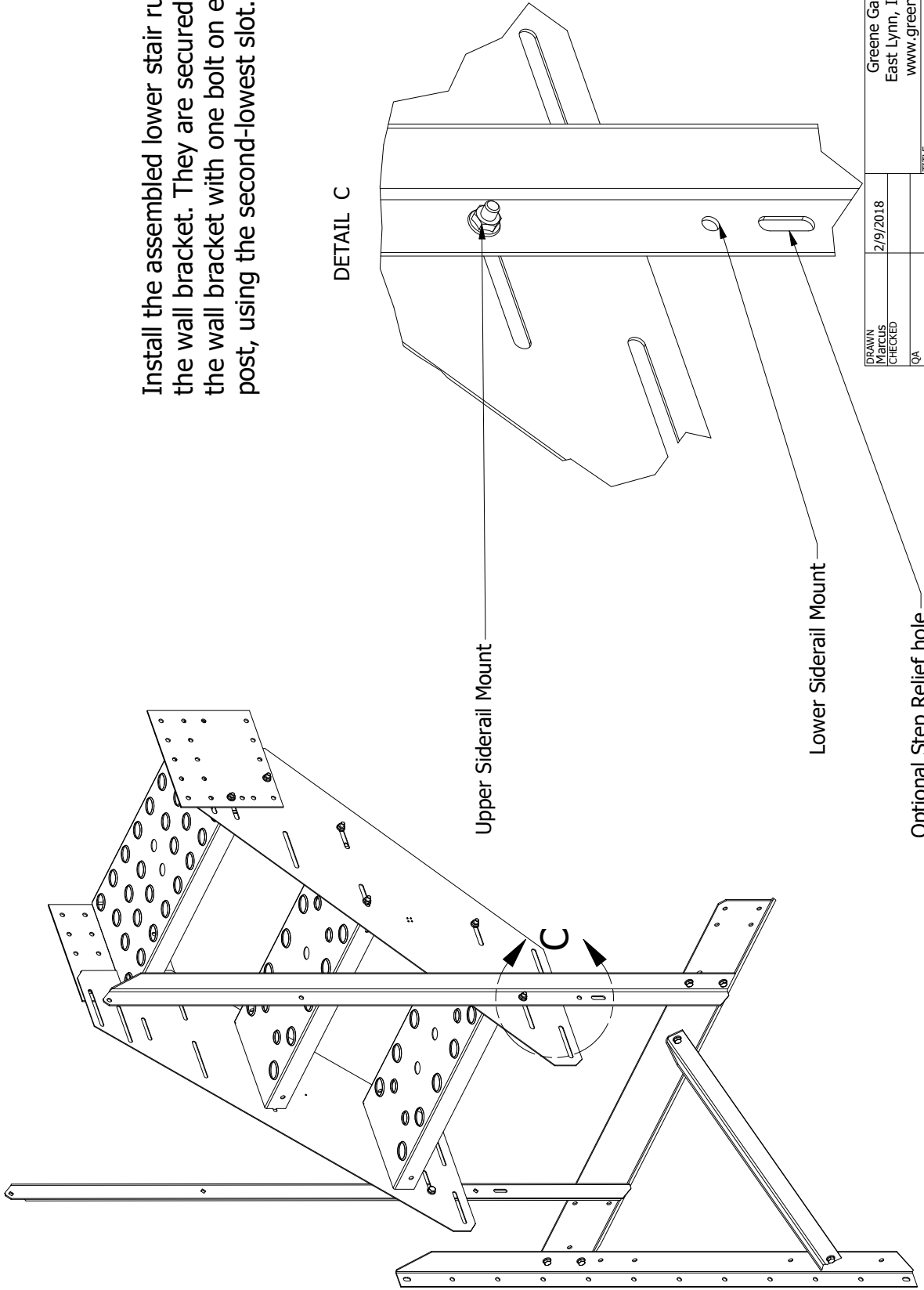
Hole Patterns for ES-8601 thru ES-8604		
Number of Holes	Part Number	Location Placement
1	ES-8601	Lower Inside
2	ES-8602	Upper Inside
3	ES-8603	Upper Outside
4	ES-8604	Lower Outside



DRAWN MARCUS	2/9/2018	Greene Galvanized Stairs East Lynn, IL 217.375.4244 www.greenestairs.com
CHECKED		
QA		TITLE
PMFG		
APPROVED		
SIZE A	DWG NO ES8622_Assembly_Instructions	REV
SCALE 1/8		

# STEP 3

Install the assembled lower stair run to the wall bracket. They are secured to the wall bracket with one bolt on each the wall bracket with one bolt on each post, using the second-lowest slot.



DATE	2/9/2018	DESIGNED BY	ES8622	REV	1/12
DRAWN	MARCUS	CHECKED		SIZE	A
QA		PMFG		SCALE	1/12
APPROVED		TITLE	Greene Galvanized Stairs East Lynn, IL 217.375.4244 www.greeneinstairs.com		
					SHEET 7 OF 17

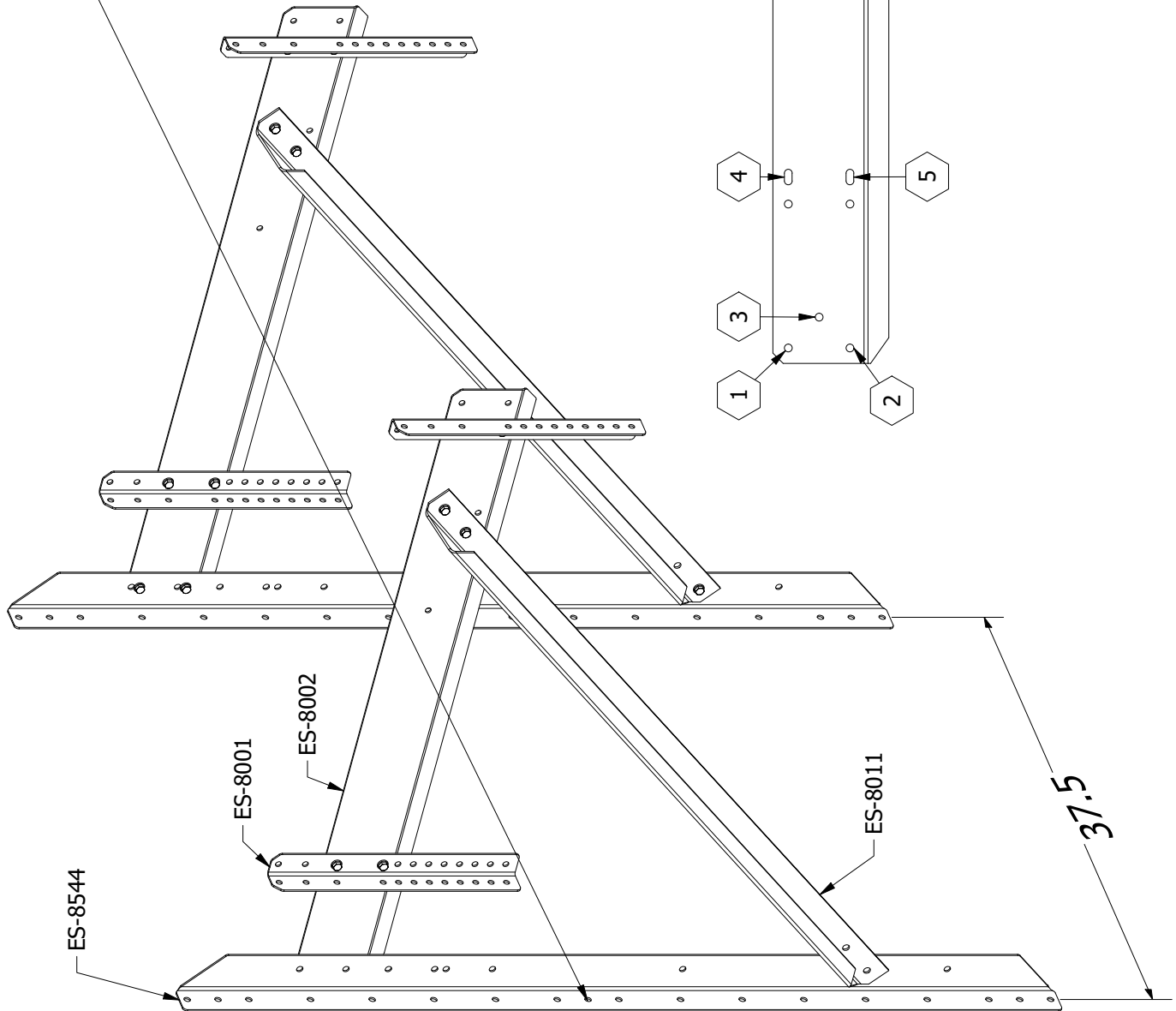
# STEP 4

The ninth hole from the top of the bracket will line up with the bottom hole of the top bin sheet.

Assemble the two platform wall brackets as shown. They are identical in their bolt hole locations.

Fasten the first (lower) platform bracket four bolt spaces away from the stair bracket, and the second platform bracket four spaces (37.5 in.) from the first platform bracket.

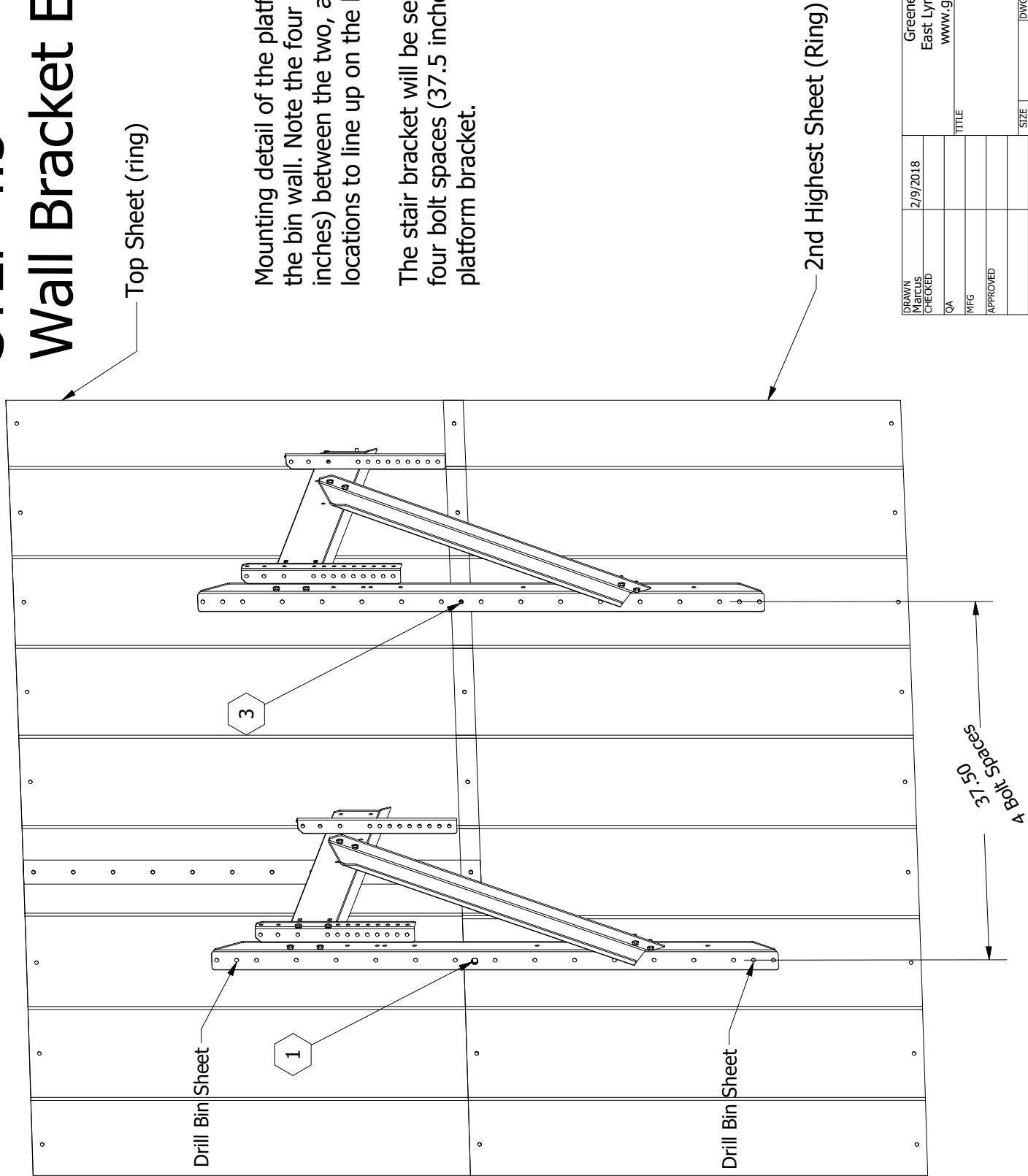
See Step 4.5 (next page) for a more detailed view.



DRAWN MARCUS CHECKED	2/9/2018	Greene Galvanized Stairs East Lynn, IL 217.375.4244 www.greenebinstairs.com	
QA		TITLE	
PMFG		SIZE A	REV
APPROVED		SCALE 1/10	ES8622_Assembly_Instructions
			SHEET 8 OF 17

# STEP 4.5

## Wall Bracket Elevation



Top Sheet (ring)

Drill Bin Sheet

Drill Bin Sheet

3

1

Mounting detail of the platform brackets to the bin wall. Note the four bolt spaces (37.5 inches) between the two, as well as the hole locations to line up on the bin sheets.

The stair bracket will be secured to the bin four bolt spaces (37.5 inches) from the first platform bracket.

2nd Highest Sheet (Ring)

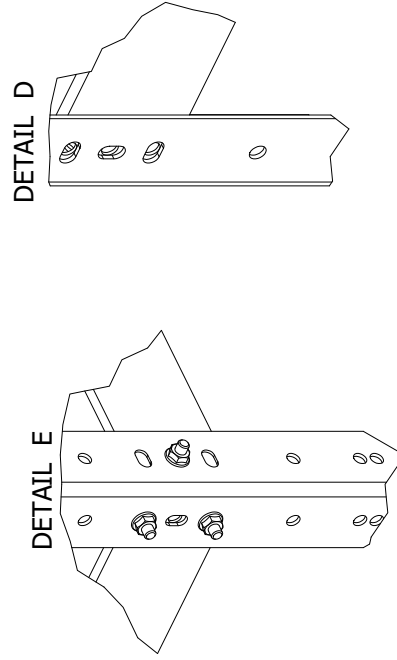
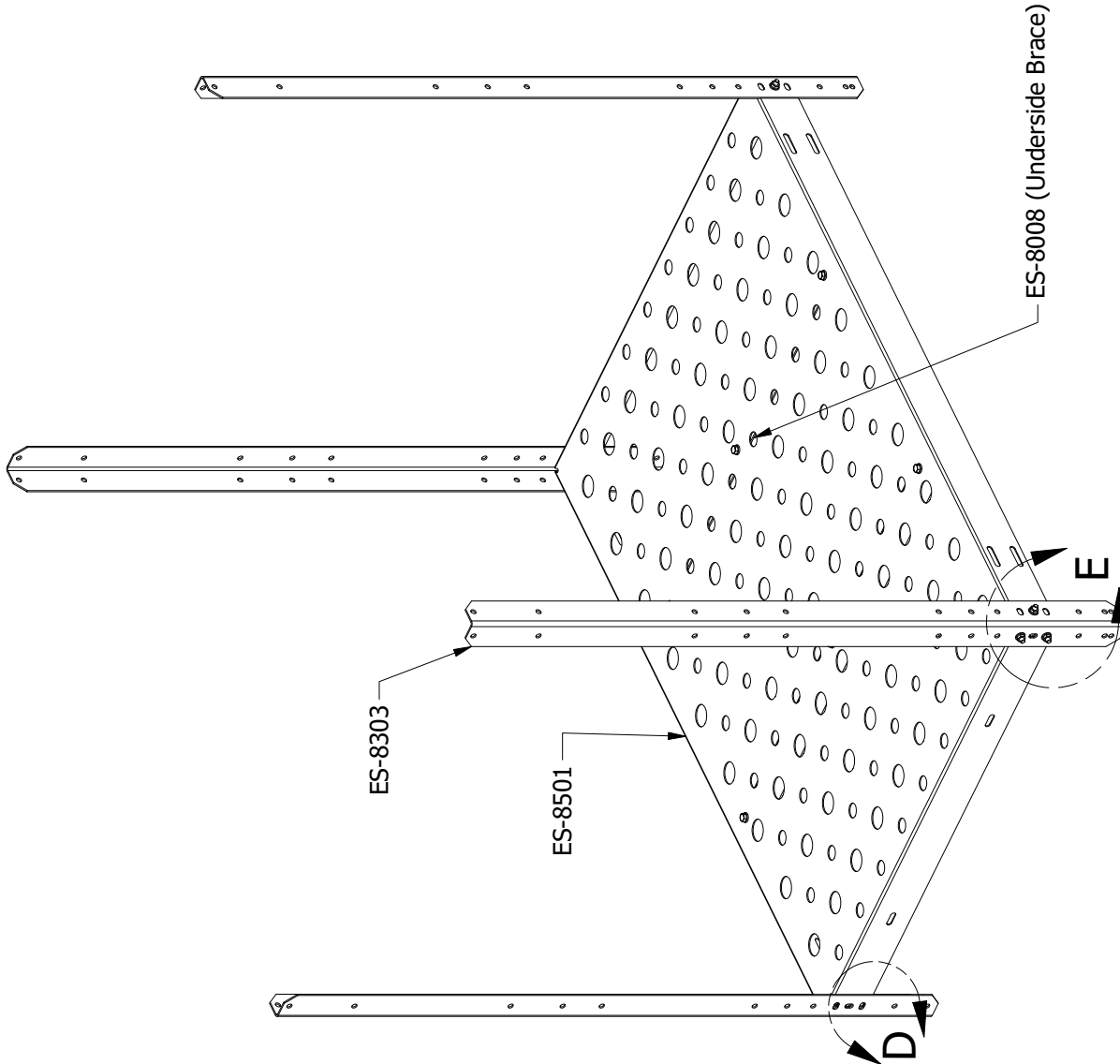
37.50  
4 Bolt Spaces

DRAWN MARCUS	2/9/2018	Greene Galvanized Stairs East Lynn, IL 217.375.4244 www.greenebinstairs.com	
CHECKED		TITLE	
QA		SIZE	A
MPFG		SCALE	1/14
APPROVED		DWG NO	ES8622_Assembly_Instructions
		REV	
			SHEET 9 OF 17

# STEP 5

Begin assembling the platform by securing four ES-8303 posts to the platform skin. For two of the posts, they will be secured with three bolts. For the other two posts, they will be secured with one bolt in this step and two more bolts in the next step.

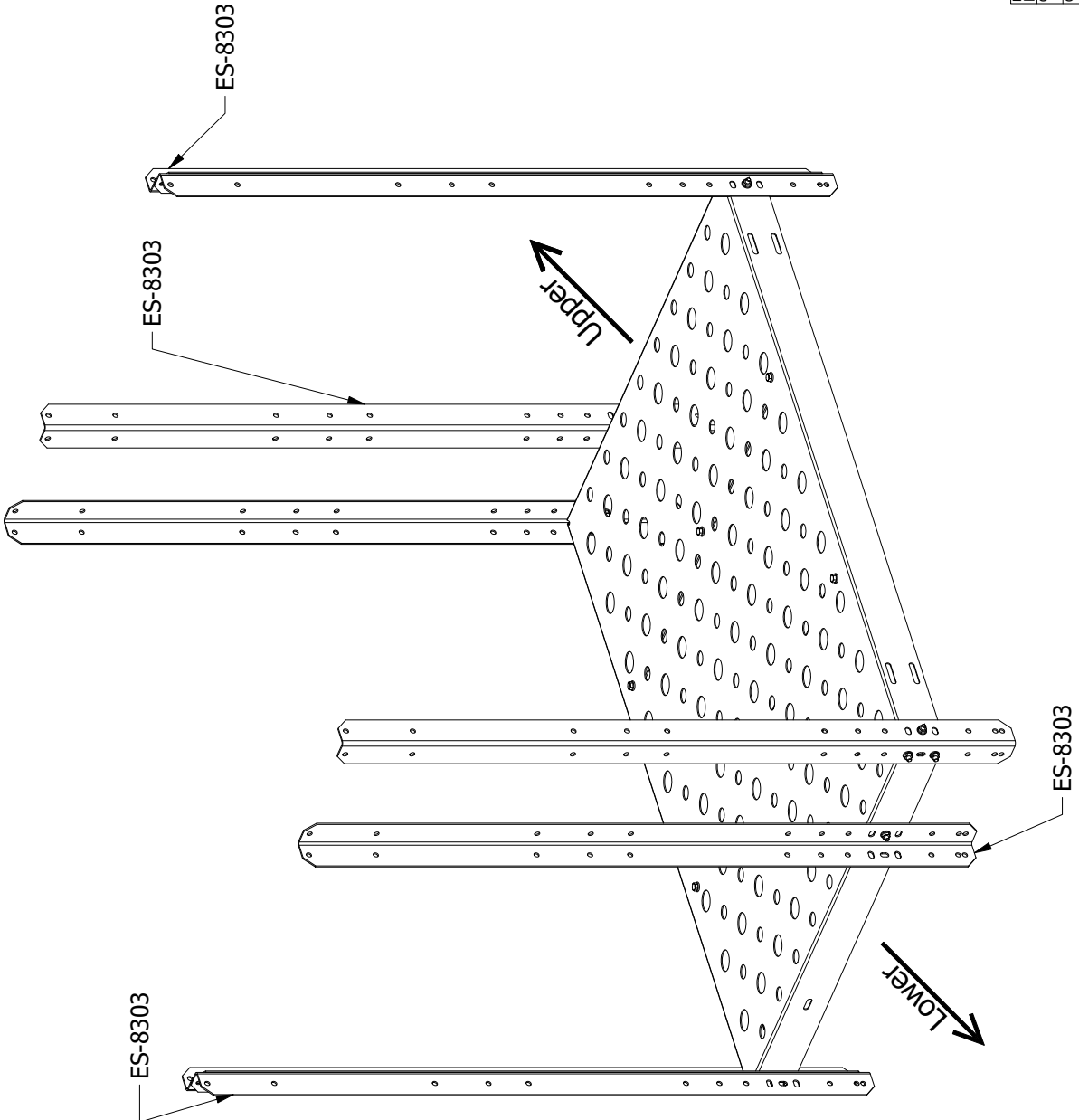
Attach the two ES-8008 braces to the underside of the platform skin with three bolts each. The bolt heads should be on the surface of the platform, facing down.



DRAWN MARCUS	2/9/2018	Greene Galvanized Stairs East Lynn, IL 217.375.4244 www.greenebstairs.com	
CHECKED		TITLE	
QA		SIZE A	REV
MPFG		SCALE 1/12	ES8622_Assembly_Instructions
APPROVED			SHEET 10 OF 17

# STEP 6

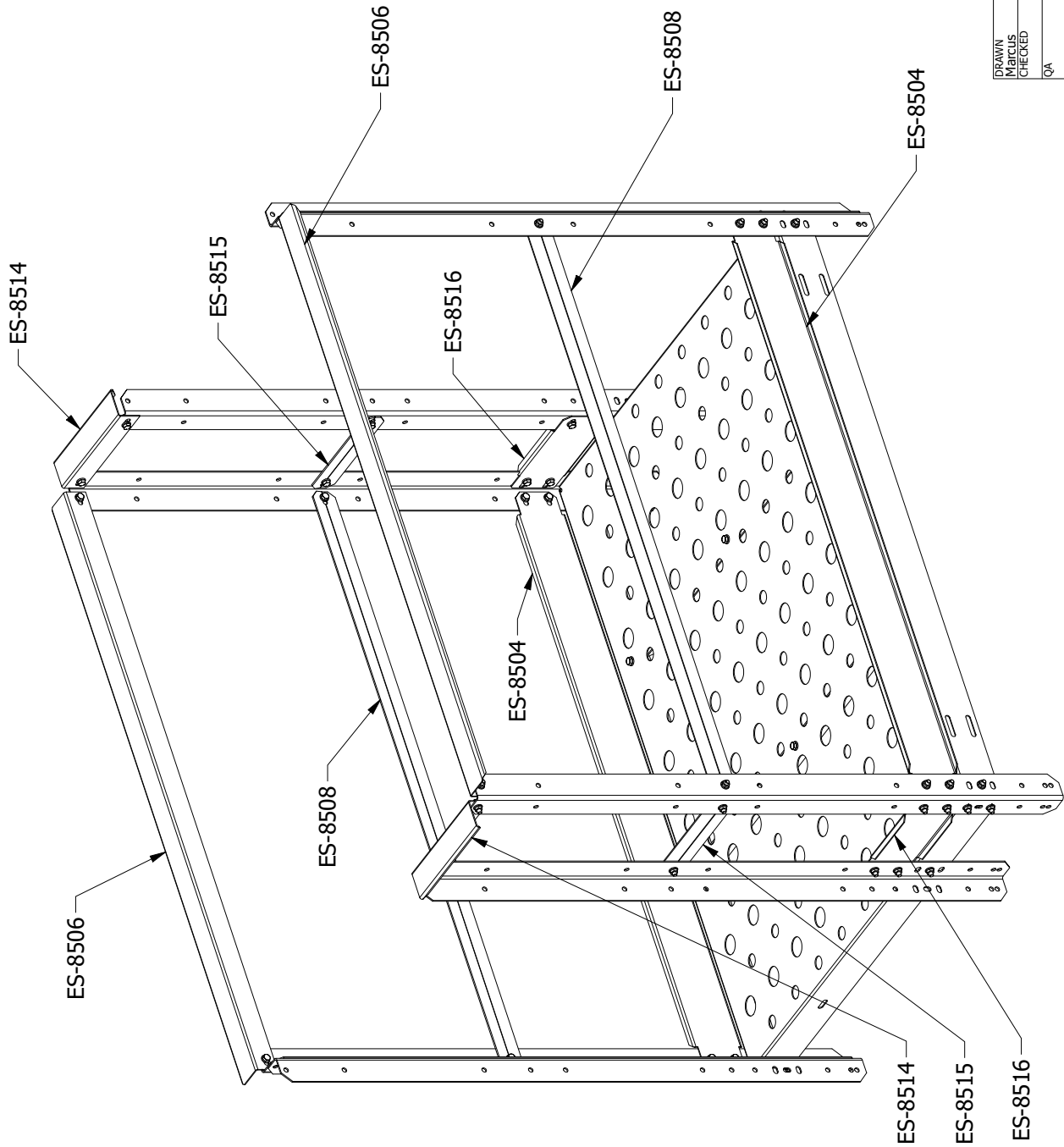
Install four ES-8303 posts as shown. They will be used to secure the stair sections to the platform.



DRAWN MARCUS CHECKED	2/9/2018	Greene Galvanized Stairs East Lynn, IL 217.375.4244 www.greenebstairs.com
QA		TITLE
MPG		
APPROVED		
SIZE A	DWG NO ES8622_Assembly_Instructions	REV
SCALE 1/12		SHEET 11 OF 17

# STEP 7

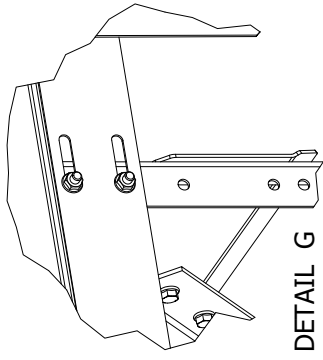
Secure the handrails, intermediate rails, and kickboards to the platform posts using 28 bolts and nuts.



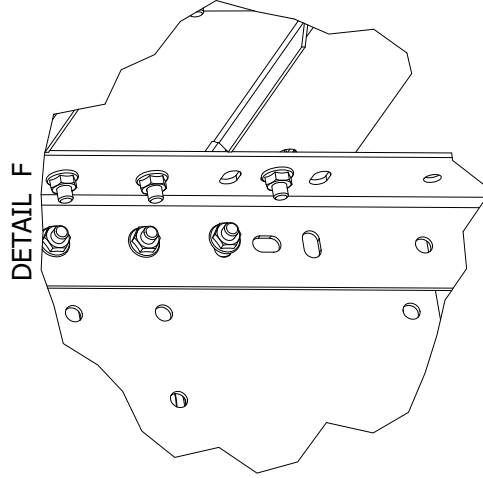
DRAWN MARCUS CHECKED	2/9/2018	Greene Galvanized Stairs East Lynn, IL 217.375.4244 www.greenebstairs.com
QA		TITLE
MPFG		
APPROVED		
SIZE A	DWG NO ES8622_Assembly_Instructions	REV
SCALE 1/12		
		SHEET 12 OF 17

# STEP 8

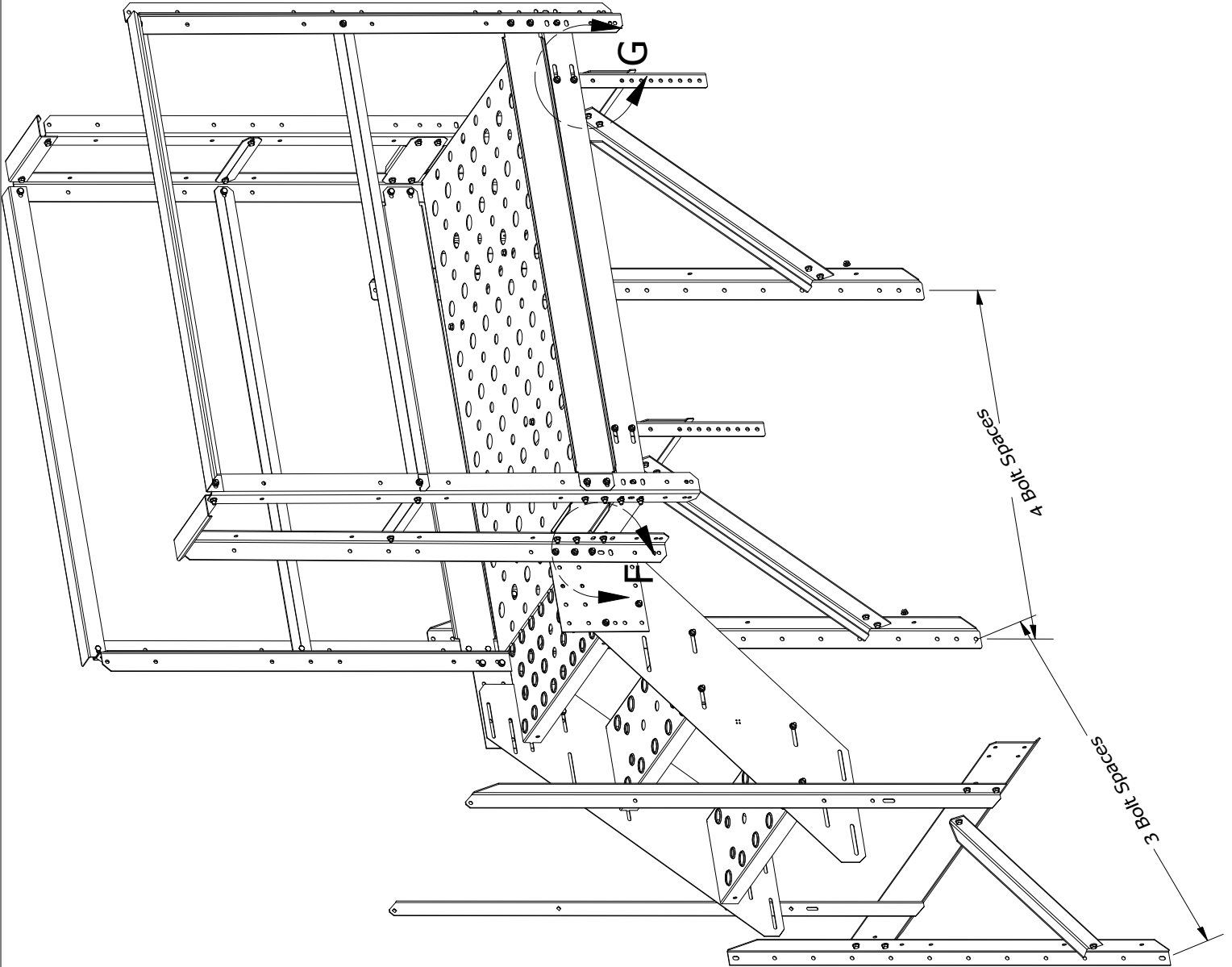
Attach the assembled platform to the platform mounting posts and the lower stair run.



DETAIL G



DETAIL F



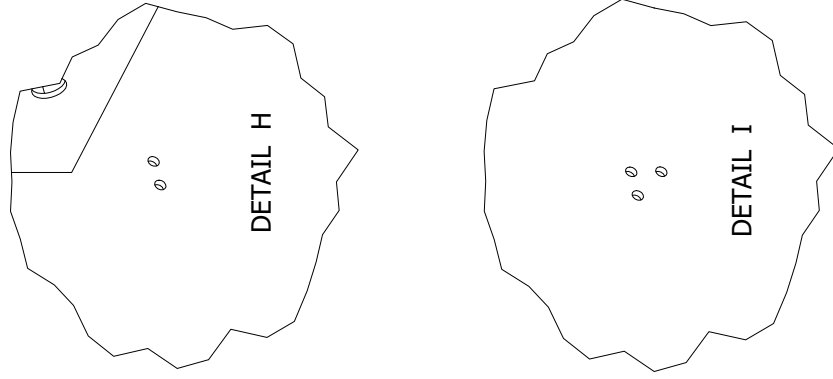
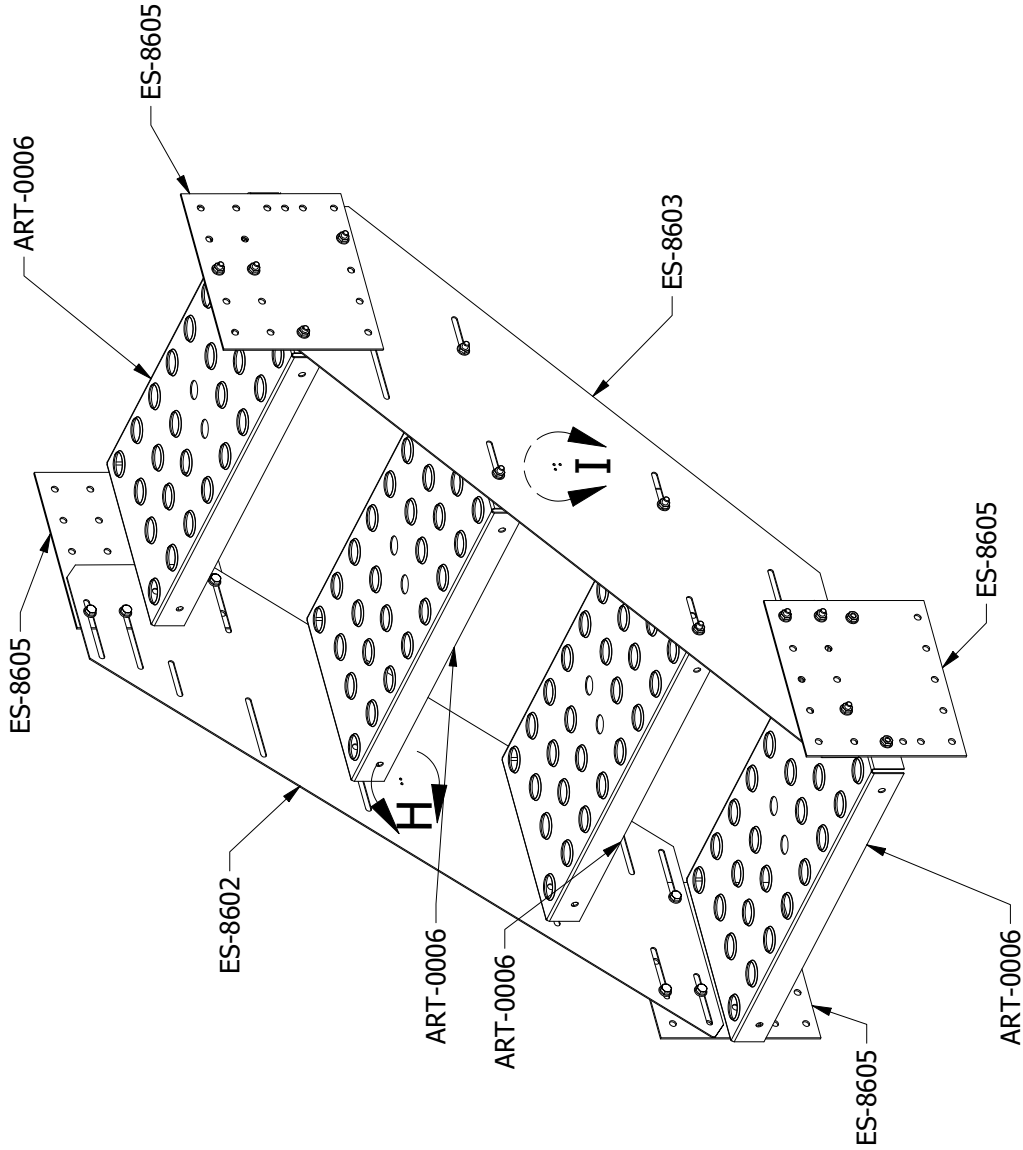
DRAWN MARCUS CHECKED	2/9/2018	Greene Galvanized Stairs East Lynn, IL 217.375.4244 www.greenebstairs.com	
QA		TITLE	
MFG		SIZE A	REV
APPROVED		SCALE 1/15	ES8622_Assembly_Instructions
			SHEET 13 OF 17



# STEP 9

Assemble the higher stair section as shown. All four steps are ART-0006's.

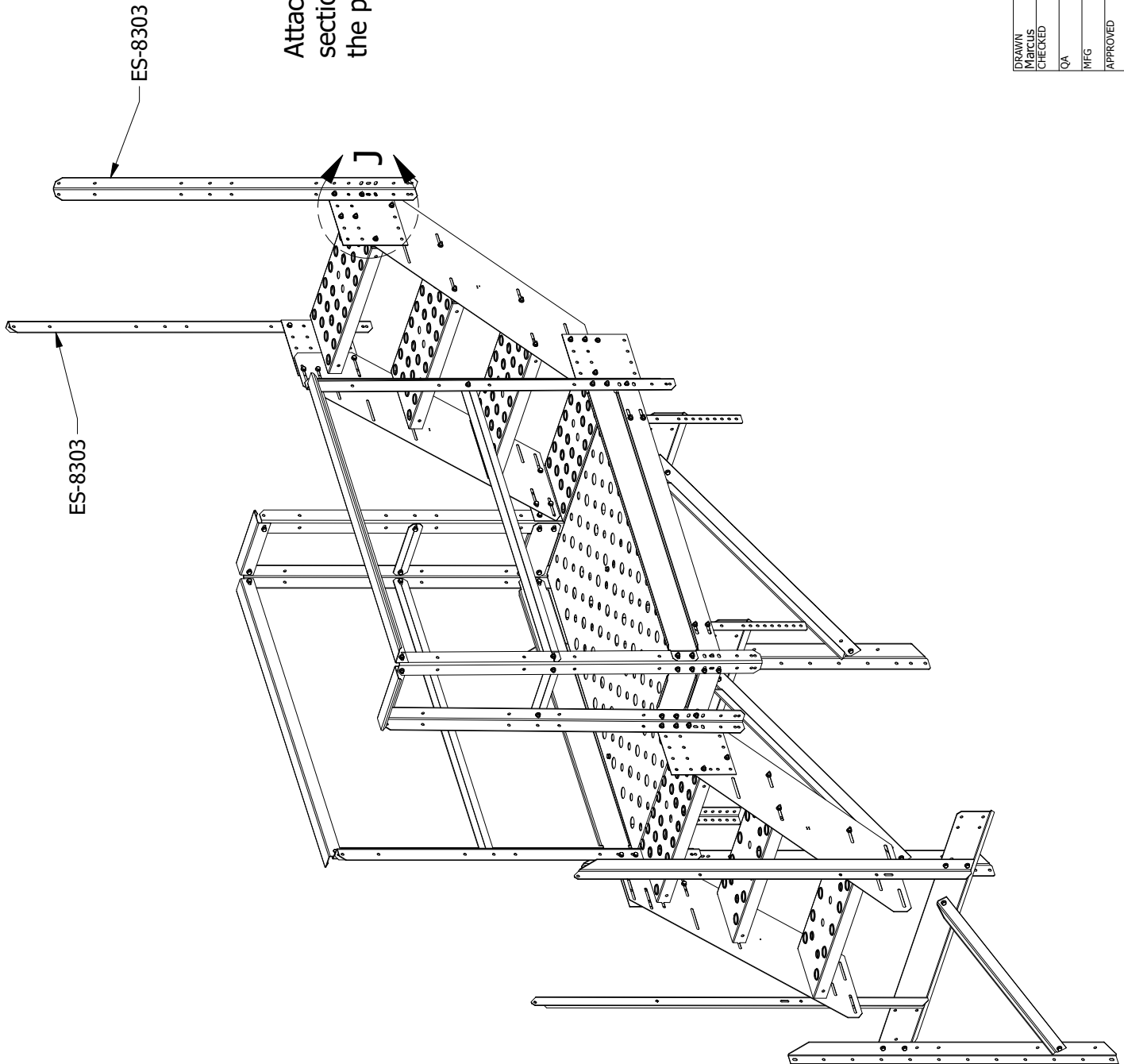
Hole Patterns for ES-8601 thru ES-8604		
Number of Holes	Part Number	Location Placement
1	ES-8601	Lower Inside
2	ES-8602	Upper Inside
3	ES-8603	Upper Outside
4	ES-8604	Lower Outside



DRAWN MARCUS	2/9/2018	Greene Galvanized Stairs East Lynn, IL 217.375.4244 www.greenebstairs.com
CHECKED		
QA		TITLE
MFG		SIZE A
APPROVED		REV
		ES8622_Assembly_Instructions
	SCALE 1/10	SHEET 14 OF 17

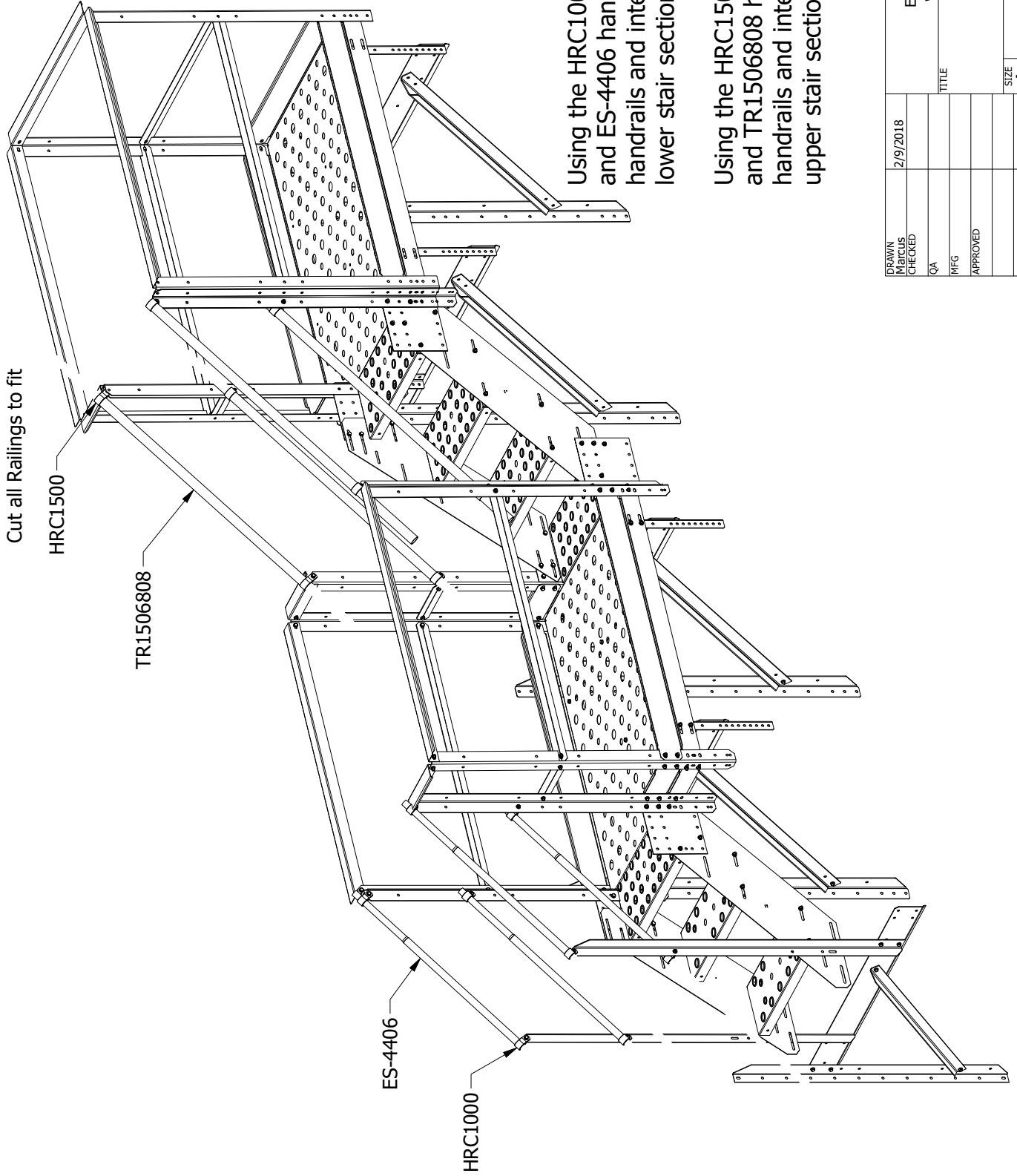
# STEP 10

Attach two ES-8303 posts to the upper stair section, and attach the upper stair section to the platform as shown.



DRAWN MARCUS CHECKED	2/9/2018	Greene Galvanized Stairs East Lynn, IL 217.375.4244 www.greenestairs.com
QA		TITLE
MPG		SIZE A
APPROVED		SCALE 1/20
		REV ES8622_Assembly_Instructions
		SHEET 15 OF 17

# STEP 11

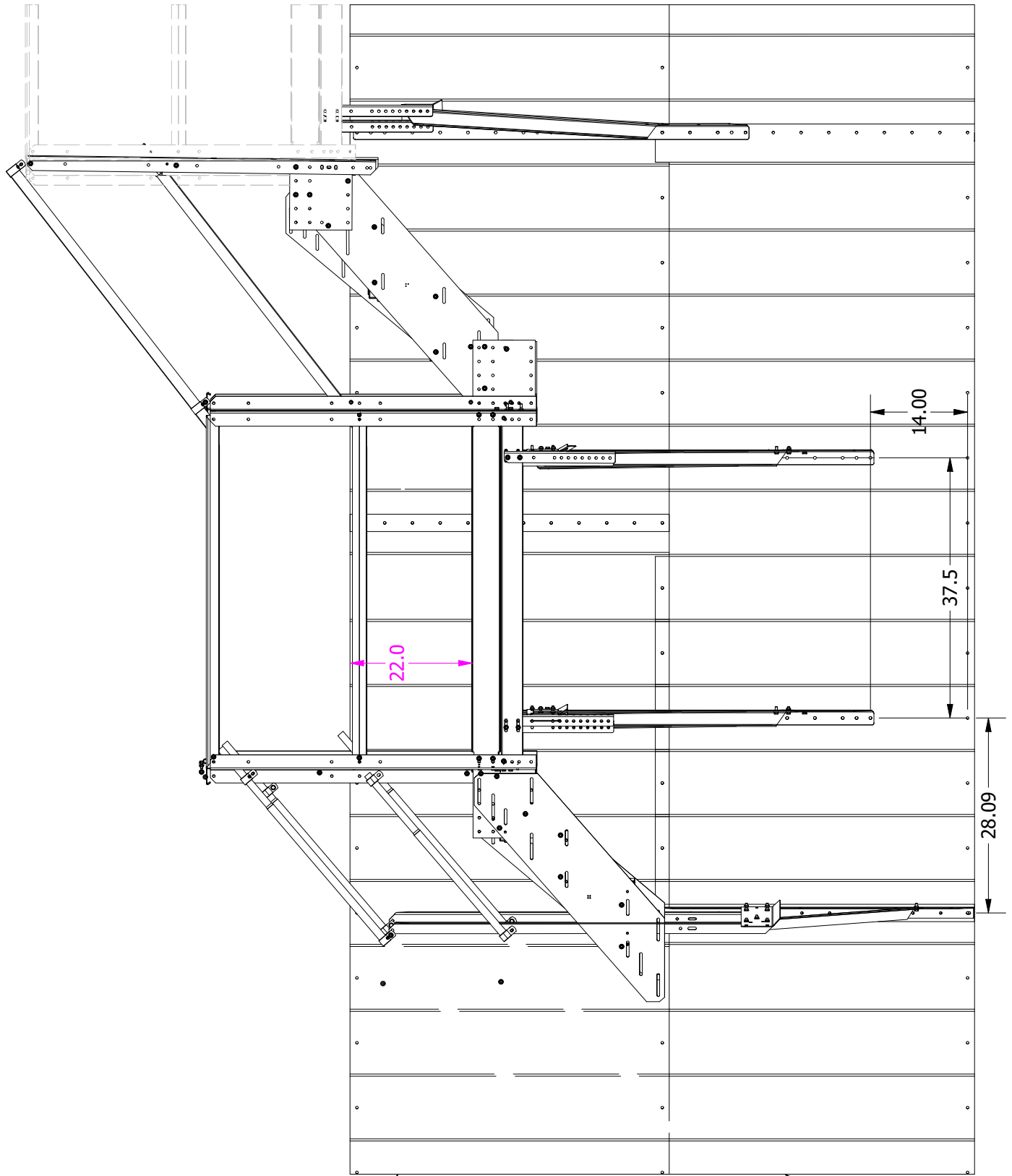


Using the HRC1000 handrail clamps and ES-4406 handrails, install the handrails and intermediate rails on the lower stair section.

Using the HRC1500 handrail clamps and TR1506808 handrails, install the handrails and intermediate rails on the upper stair section.

DRAWN MARCUS	2/9/2018	Greene Galvanized Stairs East Lynn, IL 217.375.4244 www.greeneinstairs.com
CHECKED		
QA		TITLE
MFG		
APPROVED		
SIZE A	SCALE 1/22	REV ES8622_Assembly_Instructions
		SHEET 16 OF 17

# Reference Sheet

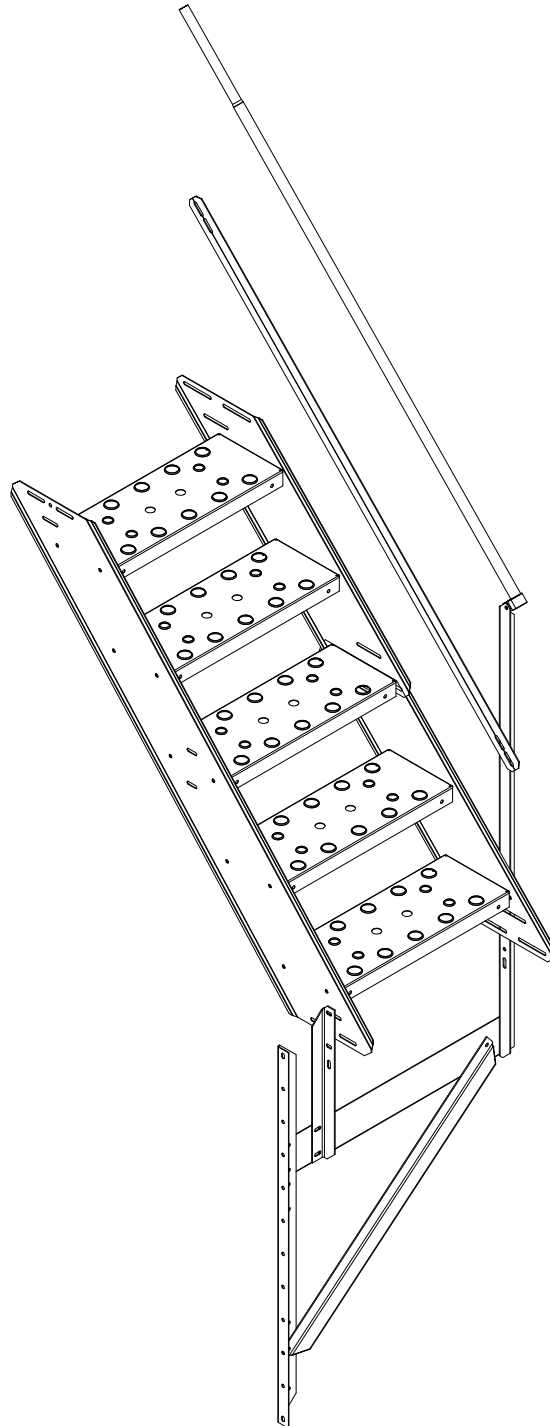


Top Sheet  
of Bin

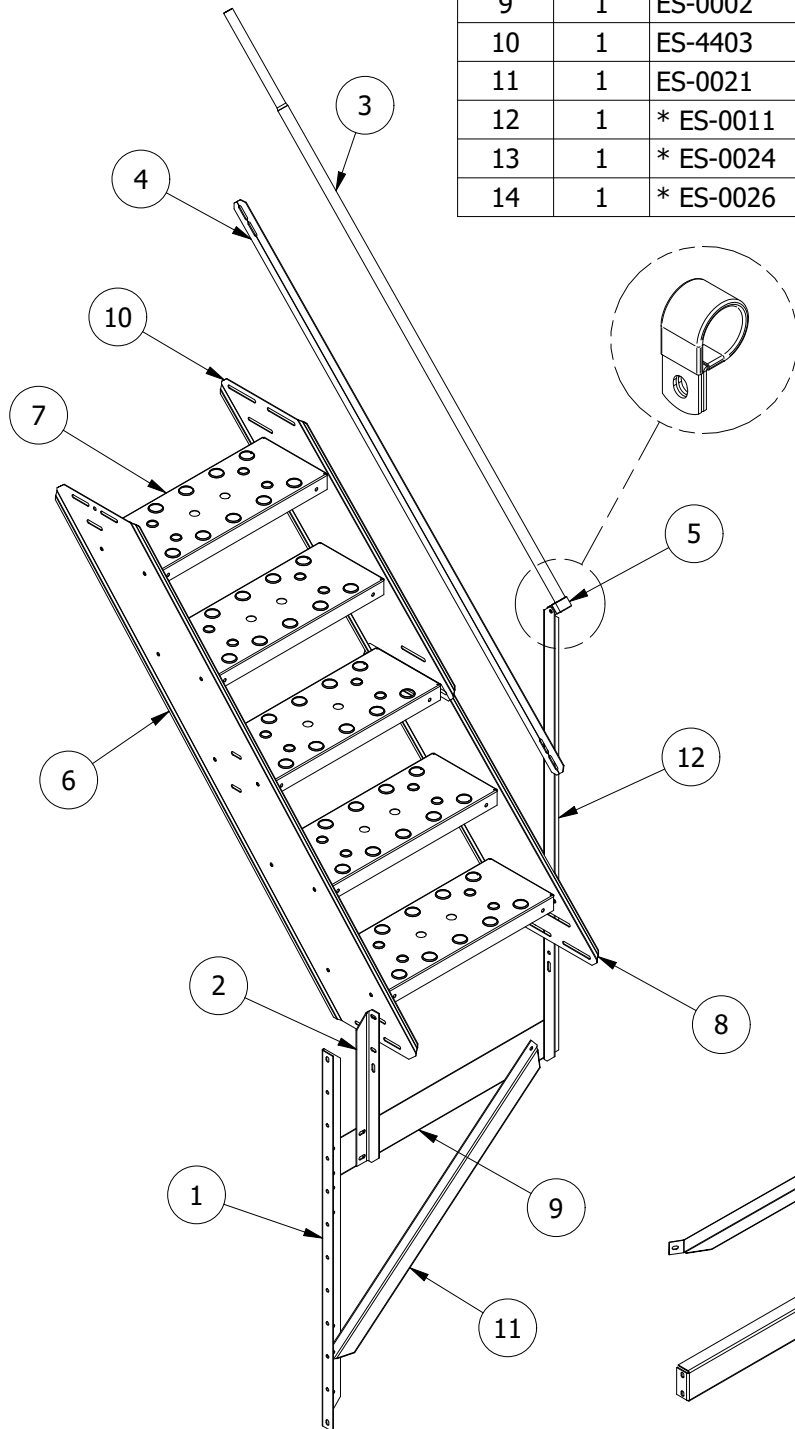
2nd Highest  
Sheet on Bin

# ES4400

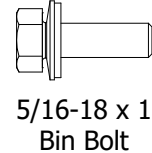
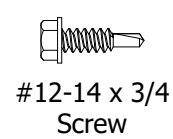
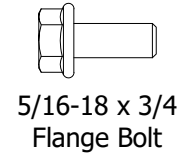
## Greene Galvanized



PARTS LIST			
ITEM	QTY	PART NUMBER	DESCRIPTION
1	1	ES-0001	Easy Step Wall Base
2	1	ES-0012	Easy Step Short Post
3	1	ES-4406	Easy Step 44 Handrail
4	1	ES-4404	Easy Step Int Rail
5	1	HRC1000	Handrail Clamp for 1 in
6	1	ES-4401	Easy Step 44 Inside Siderail
7	5	ES-0006	Easy Step Stair Step
8	1	ES-4402	Easy Step 44 Outside Siderail Lower
9	1	ES-0002	Easy Step Wall Cross
10	1	ES-4403	Easy Step 44 Outside Siderail Upper
11	1	ES-0021	Easy Step Knee Brace
12	1	* ES-0011	Easy Step Stair Post
13	1	* ES-0024	Easy Step Bottom Brace Bracket
14	1	* ES-0026	Easy Step Bottom Knee Brace

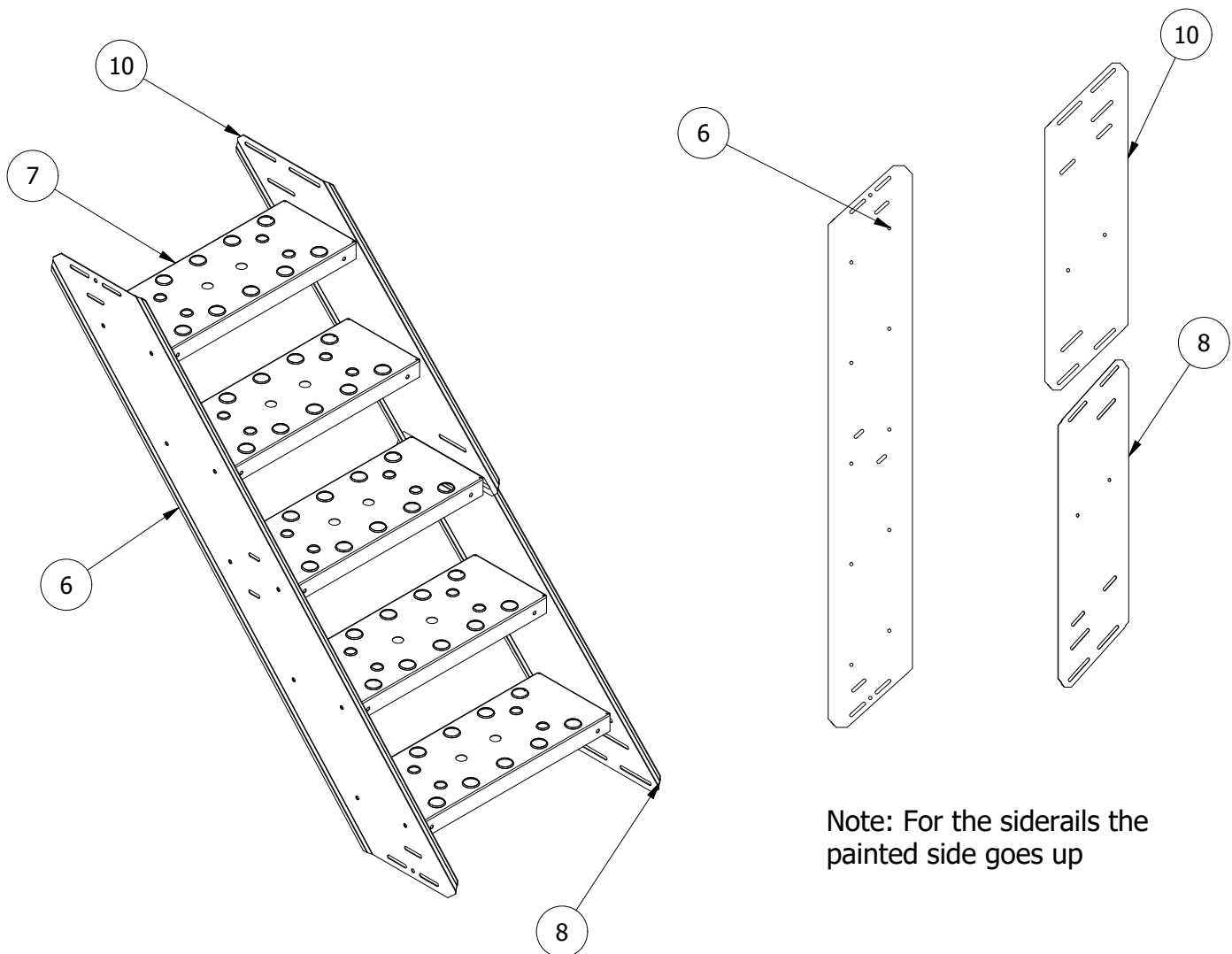


\* Bottom brace bracket, bottom knee brace, and extra stair post are included with the stair platform package.



# Step 1: Adding siderails and steps

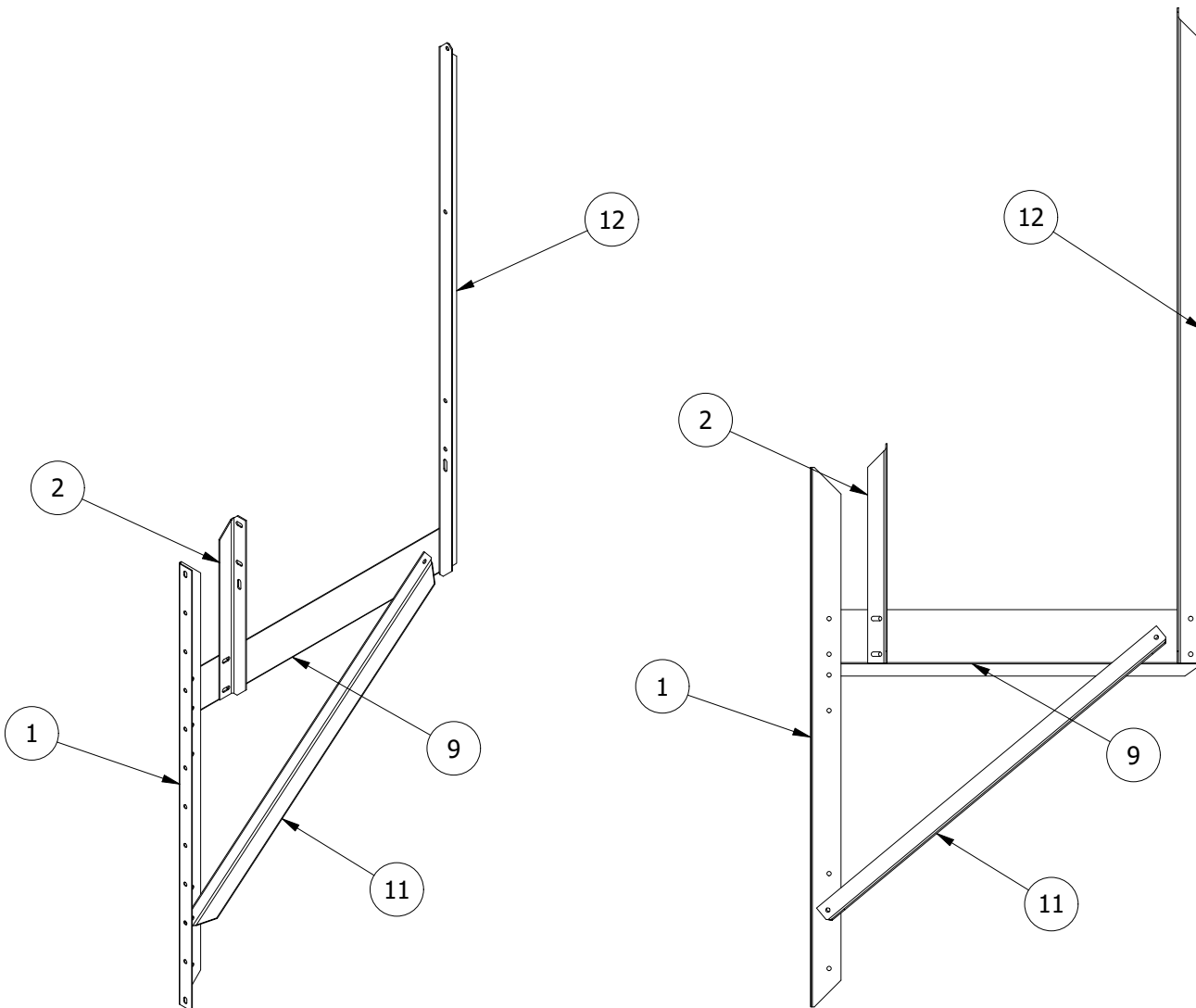
PARTS LIST			
ITEM	QTY	PART NUMBER	DESCRIPTION
6	1	ES-4401	Easy Step 44 Inside Siderail
7	5	ES-0006	Easy Step Stair Step
8	1	ES-4402	Easy Step 44 Outside Siderail Lower
10	1	ES-4403	Easy Step 44 Outside Siderail Upper



Note: For the siderails the painted side goes up

# Step 2: Building the A frame

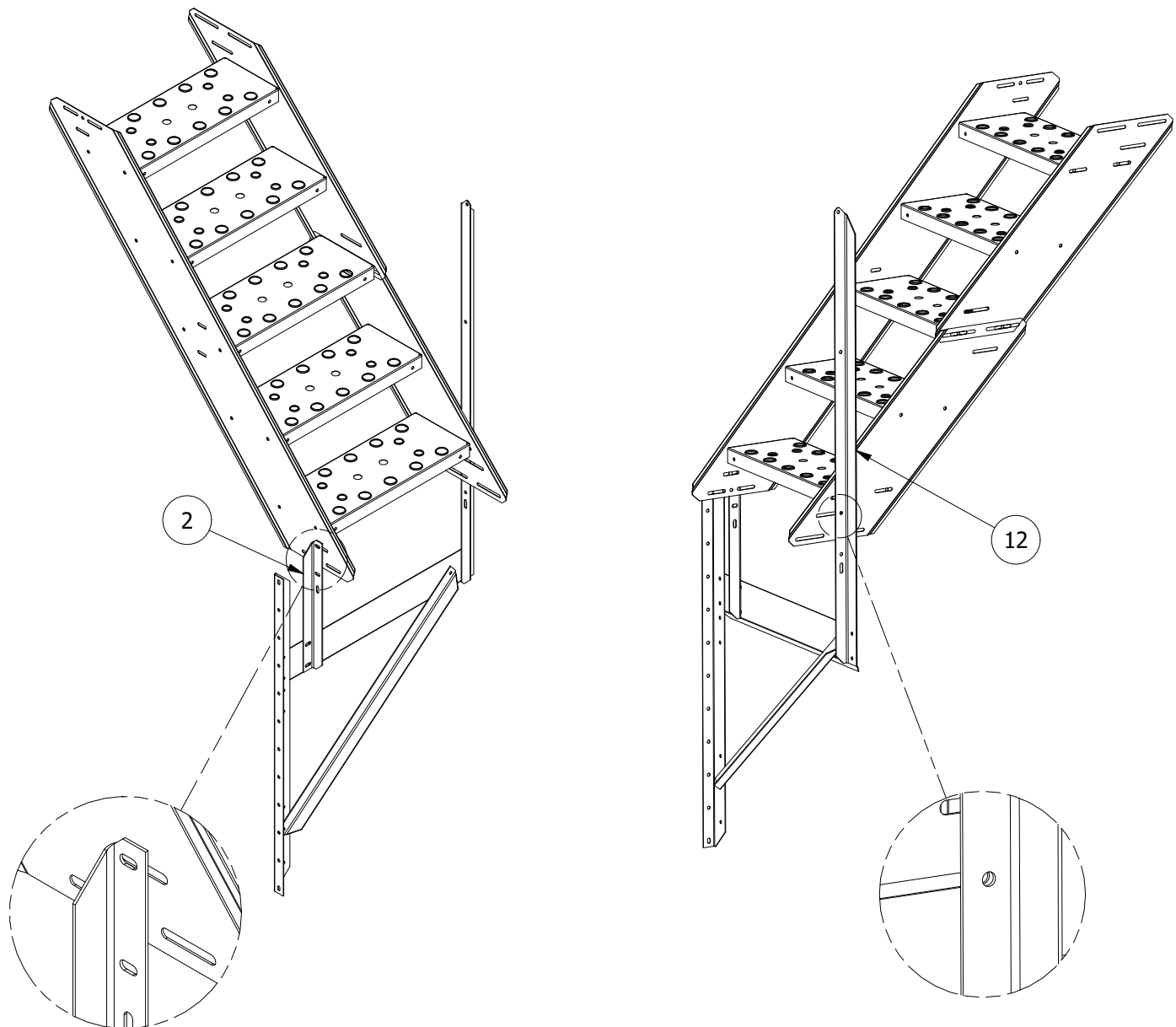
PARTS LIST			
ITEM	QTY	PART NUMBER	DESCRIPTION
1	1	ES-0001	Easy Step Wall Base
2	1	ES-0012	Easy Step Short Post
9	1	ES-0002	Easy Step Wall Cross
10	1	ES-4403	Easy Step 44 Outside Siderail Upper
11	1	ES-0021	Easy Step Knee Brace





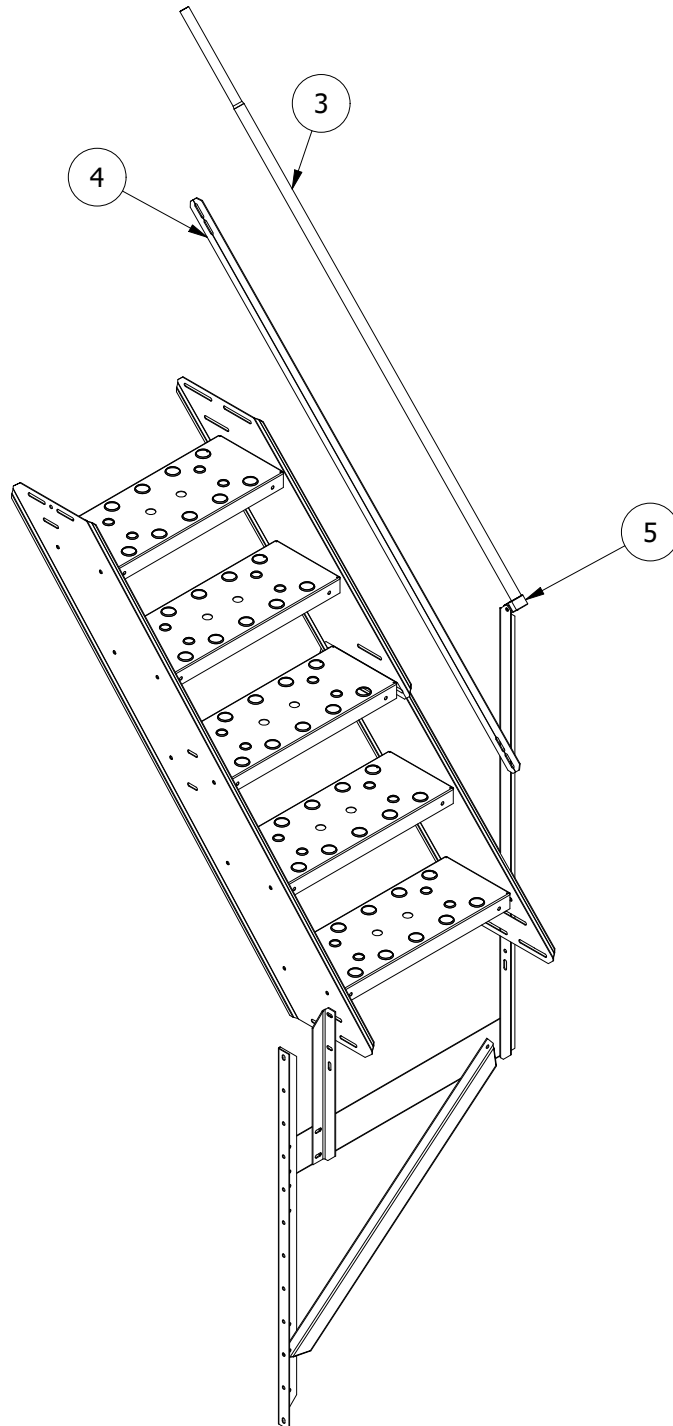
## Step 2: Attaching the A frame to the stair section

PARTS LIST			
ITEM	QTY	PART NUMBER	DESCRIPTION
2	1	ES-0012	Easy Step Short Post
12	1	* ES-0011	Easy Step Stair Post



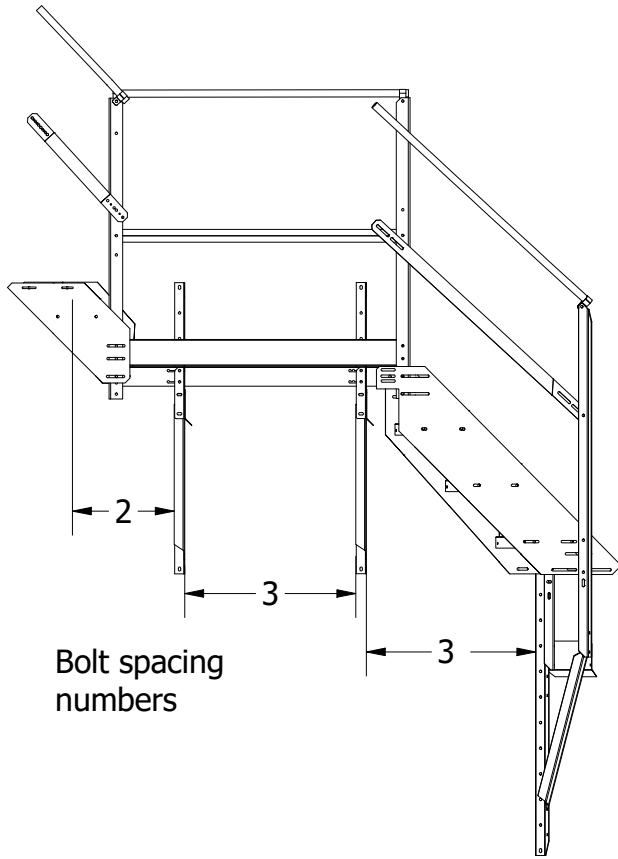
# Step 3: Attaching the handrail and intermediate rails

PARTS LIST			
ITEM	QTY	PART NUMBER	DESCRIPTION
3	1	ES-4406	Easy Step 44 Handrail
4	1	ES-4404	Easy Step Int Rail
5	1	HRC1000	Handrail Clamp for 1 in



# IN-ES3001

## ES3644 44" Easy Step Intermediate Platform & Stair Assembly

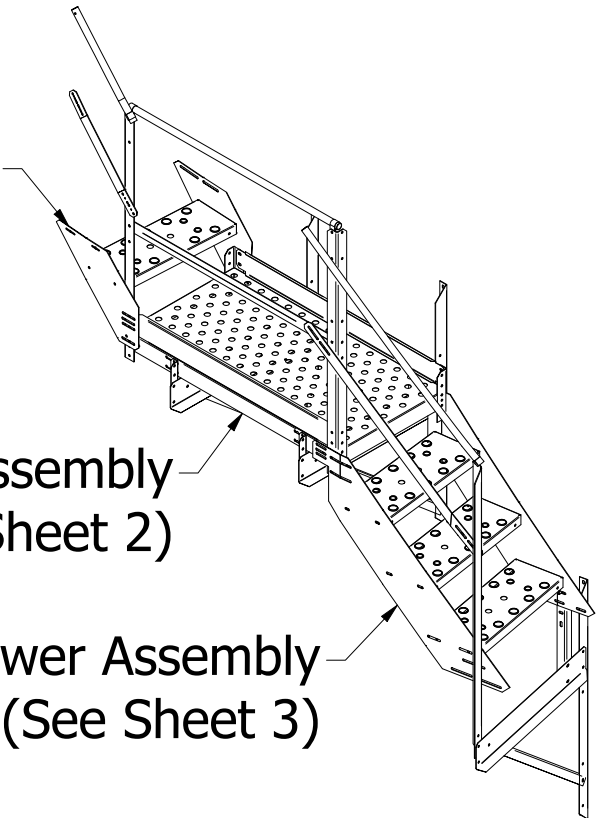


Bolt spacing numbers

Upper Step Assembly  
(See Sheet 3)

Platform Assembly  
(See Sheet 2)

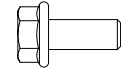
3 Step Lower Assembly  
(See Sheet 3)



# IN-ES3001

## ES3644 44" Easy Step Intermediate Platform & Stair Assembly

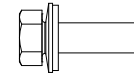
PARTS LIST - PLATFORM ASSEMBLY			
ITEM	QTY	PART NUMBER	DESCRIPTION
1	2	ES-0001	Easy Step Wall Base
2	2	ES-0002	Easy Step Wall Cross
3	2	ES-0021	Easy Step Knee Brace
4	4	ES-3001	Easy Step Platform Mount Post
5	1	ES-3601	Inter Plat Skin
6	2	ES-3002A	Easy Step Platform Short Post
7	2	ES-3003A	Easy Step Platform Post
8	2	ES-3604	Inter Plat Kickboard
9	2	ES-3606	Inter Plat Handrail
10	1	ES-3008	Easy Step Plat Mid Brace
11	1	ES-1606	44 Inter Plat Handrail
12	5	HRC1000	Handrail Clamp for 1 in
13	1	ES-1604	44 Inter Plat Int Handrail
14	1	ES-3608	
15	1	ES2600-A plat section	
16	1	ES1600 plat section	



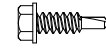
5/16-18 x 3/4  
Flange Bolt



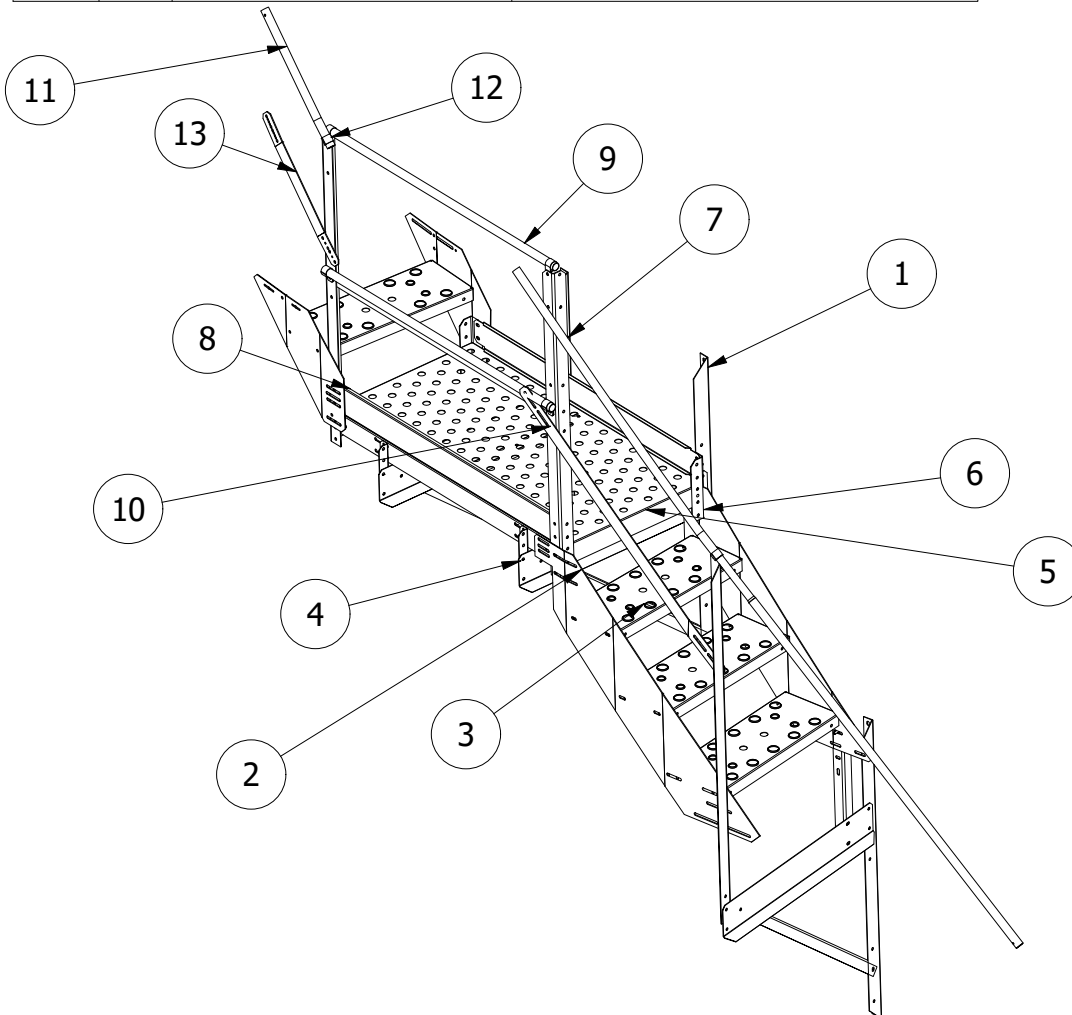
5/16-18 Whiz  
Lock Nut



5/16-18 x 1  
Bin Bolt



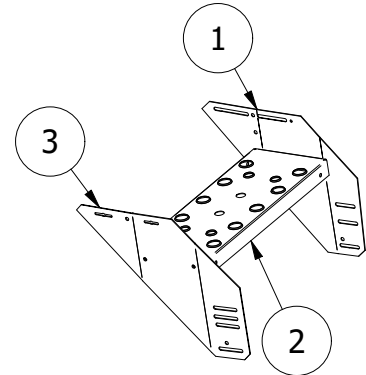
#12-14 x 3/4  
Screw



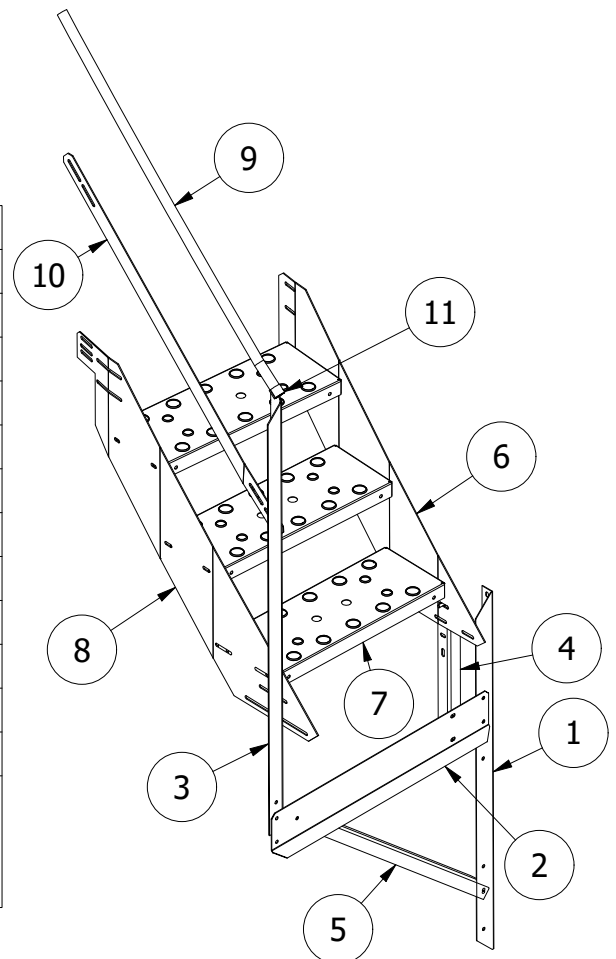
# IN-ES3001

## ES3644 44" Easy Step Intermediate Platform & Stair Assembly

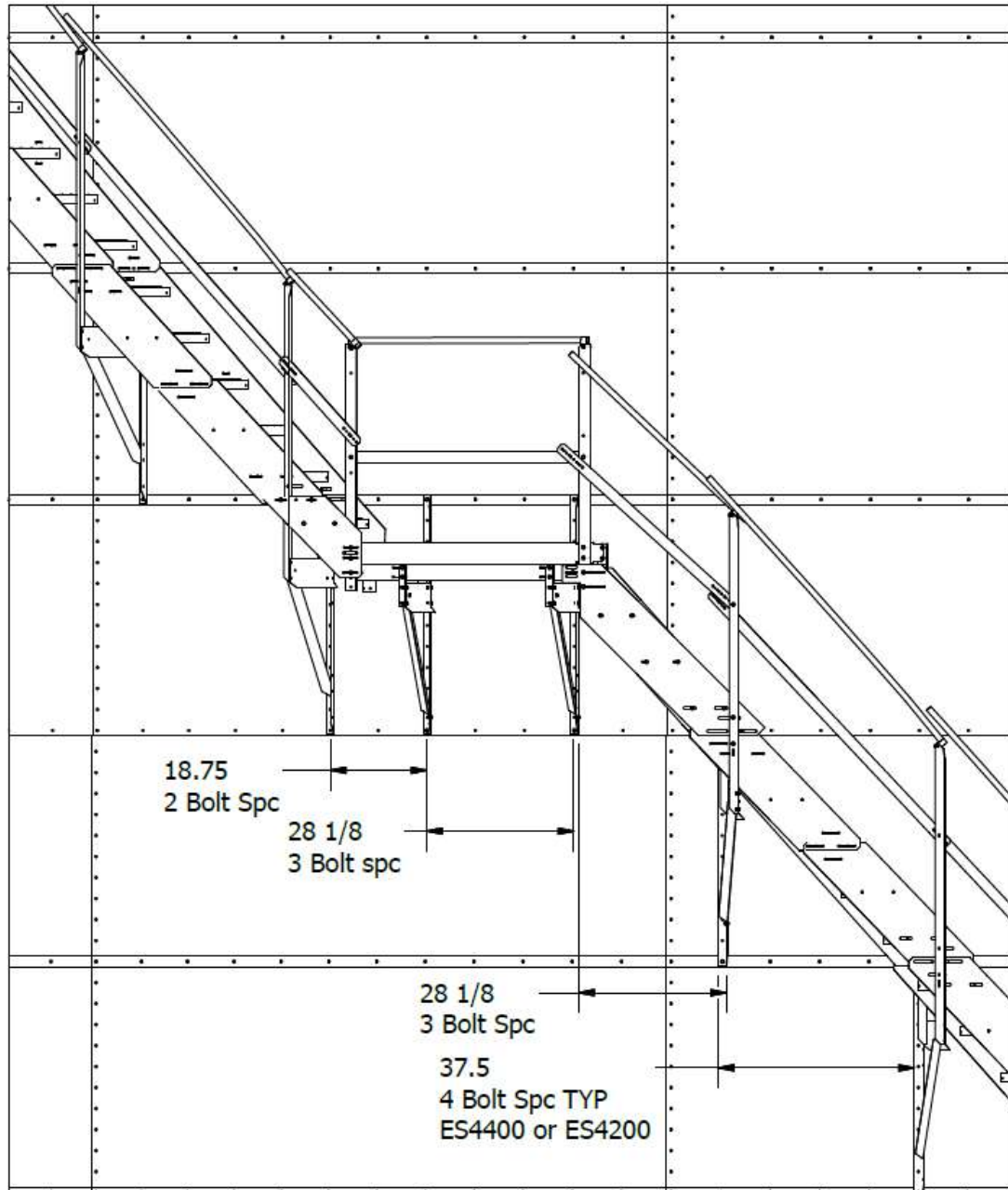
PARTS LIST			
ITEM	QTY	PART NUMBER	DESCRIPTION
1	1	ES-1601	Int Plat Upper Inside
2	1	ES-0006	Easy Step Stair Step
3	1	ES-1602	Int Plat Upper Outside



PARTS LIST - 3 STEP LOWER ASSEMBLY			
ITEM	QTY	PART NUMBER	DESCRIPTION
1	1	ES-0001	Easy Step Wall Base
2	1	ES-0002	Easy Step Wall Cross
3	1	ES-0011	Easy Step Stair Post
4	1	ES-0012	Easy Step Short Post
5	1	ES-0021	Easy Step Knee Brace
6	1	ES-2601	Easy Step Platform Inside Siderail
7	3	ES-0006	Easy Step Stair Step
8	1	ES-2602	Easy Step Plat Outside Siderail
9	1	ES-2606	Easy Step 26 Handrail
10	1	ES-2608	Easy Step Intermediate Rail
11	1	HRC1000	Handrail Clamp for 1 in
18	7	IFI 111 - 5/16-18 UNC x 0.75	Hex Flange Screw - Regular Thread - Inch

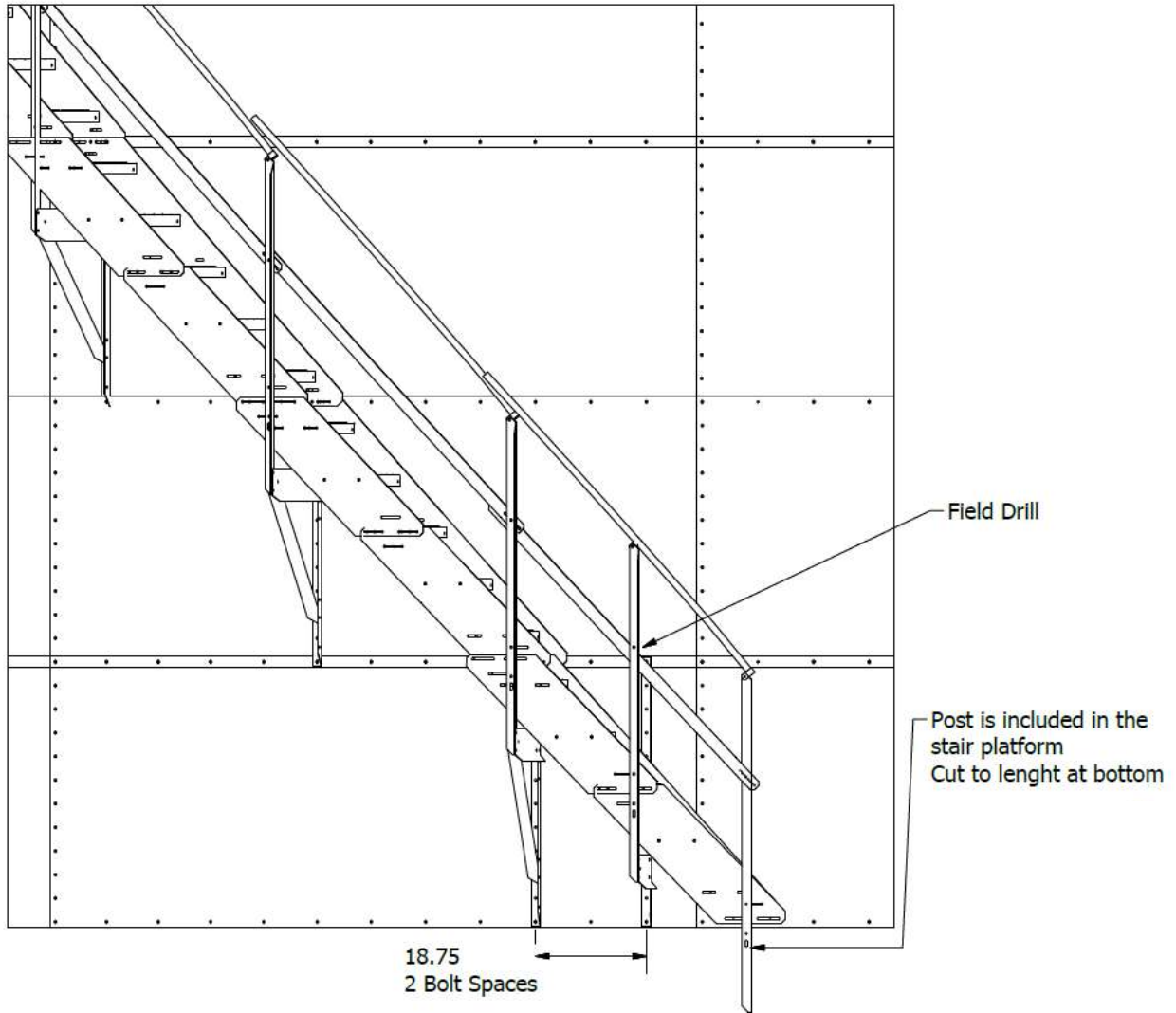


## Intermediate Platform Layout

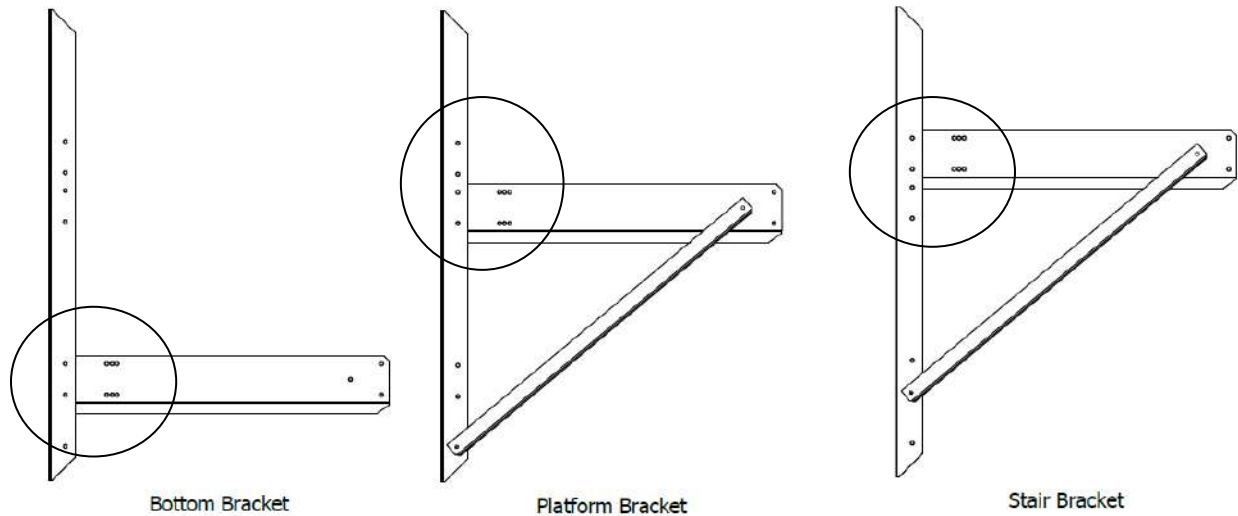


1. The platform should be laid out with the longer end toward the upward run of the stairs.
2. From the top down, the wall brackets are spaced 2, 3, 3 in terms of bolt spaces
  - **Two** from the last stair section
  - **Three** from the first intermediate platform wall bracket.
  - **Three** from the last intermediate platform wall bracket to the next stair wall bracket.
3. Platform A-frame wall brackets should be assembled like the platform layout shows in the instruction manual

**Bottom Section Layout**



**Assemble A-Frames**



**A-Frame Layout Drawing**

### Attach Stair Sections

Attach the A-frame to the bottom of the Siderail using the top hole on the short post and the top hole (of the two) in the baluster post directly above the wall cross. After jacking the bin the A-frame will fit into place and be ready to attach the wall bracket to the bin wall.

The bin wall brackets call for one bolt at the top and bottom of the bracket on the horizontal bolt seam. (See layout section for attachment bolt spacing info.)

When attaching ES4400 Stair Sections, use the same procedure as the Stair Section on the platform, except level the middle step and tighten the upper splice, then level the bottom step and tighten the middle splice. ES4400 wall brackets are spaced 4 bolt spaces, or 37.5" around the bin.

### Assembly and Finishing of Bottom Section



ES-0026  
Bottom Knee Brace



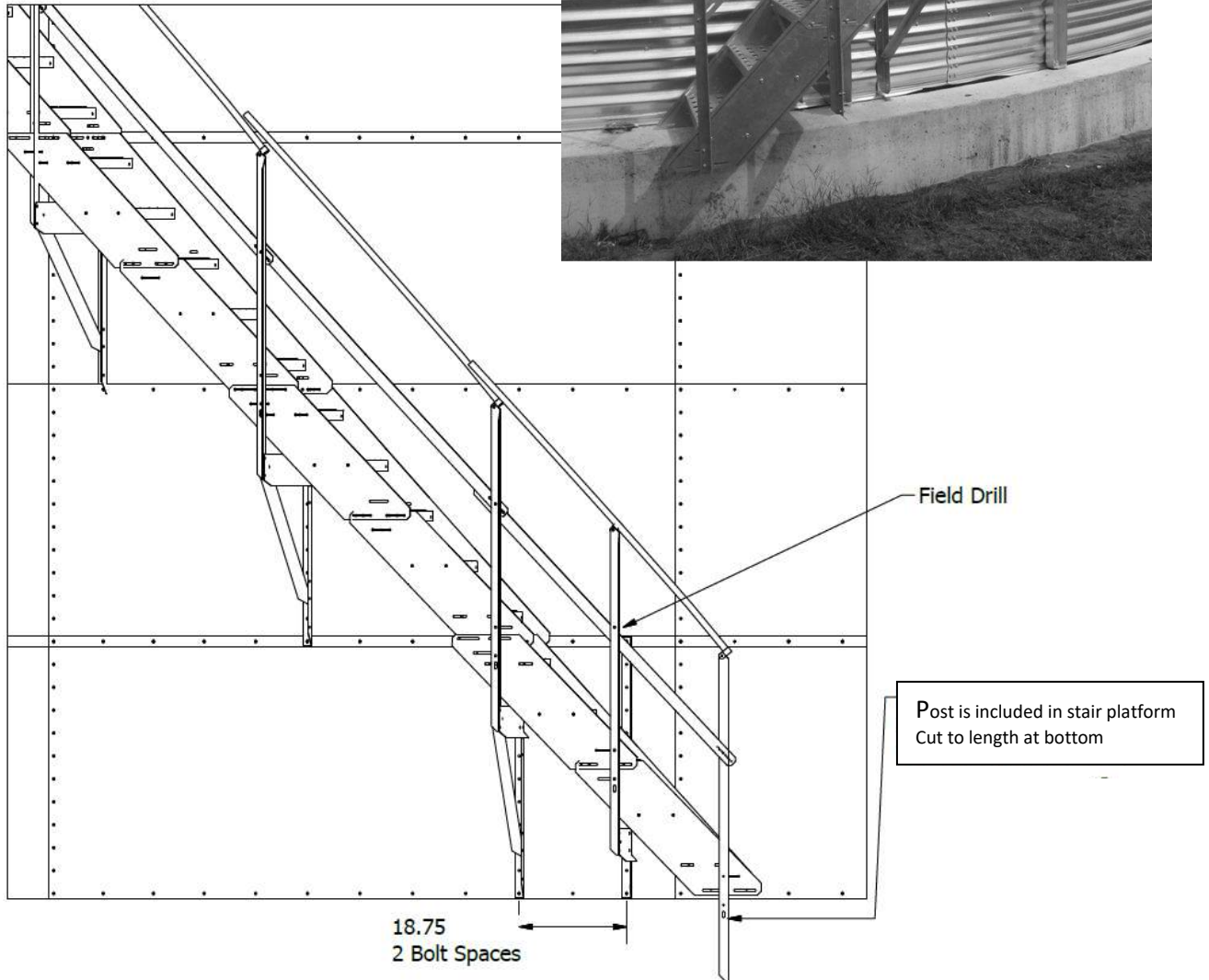
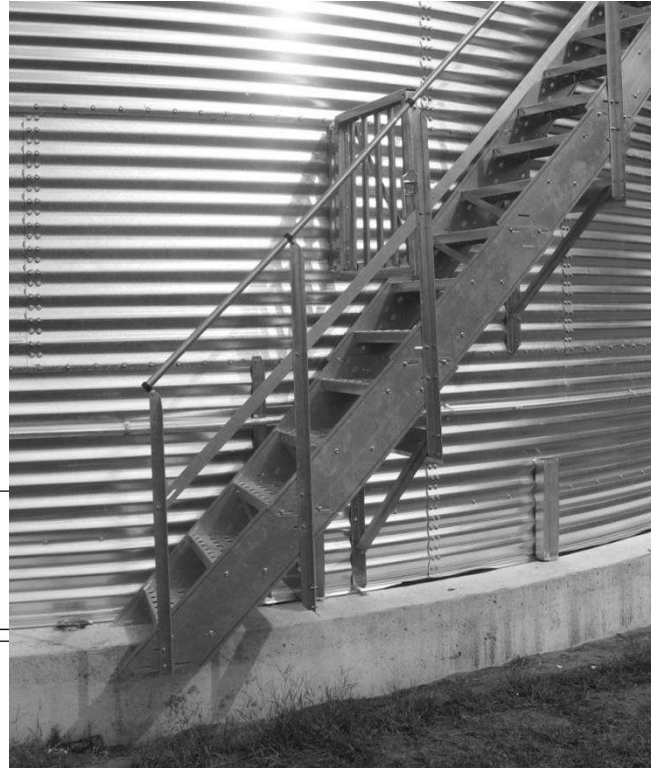
ES-0024  
Bottom Brace Bracket



## Attach Bottom Section

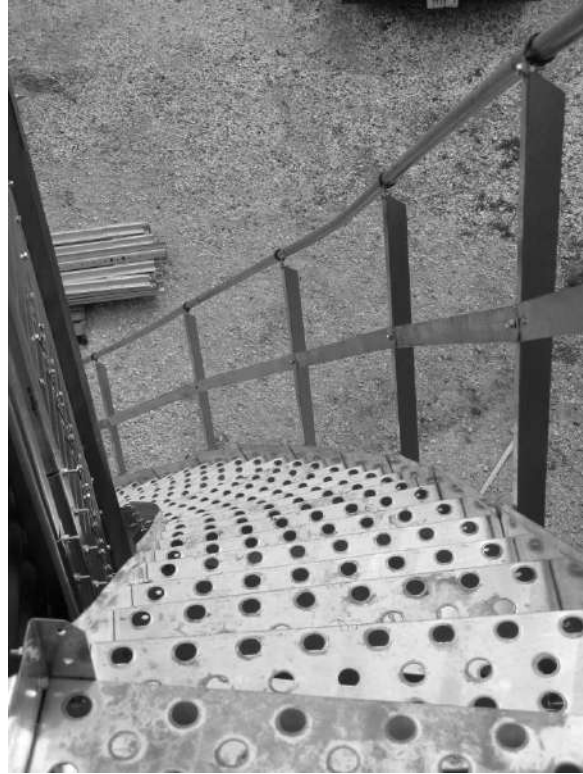
The bottom section uses a special configuration of the A-frame. For assembly see the A-frame drawing. It attaches in the middle of the Stair Section and it is two bolt spaces, or 18.75" +/- from the last wall mount.

There is a baluster post, bottom brace bracket and bottom knee brace included with the platform that attaches to the bottom of the bottom section. This allows the handrail to end at the bottom of the stairs and braces the bottom two steps and post.



### **Attach Handrail**

Shape the round handrail according to the circumference of the bin and attach them to the baluster posts using the coated “p-strap” with the **swaged end facing up** in the direction of the stair run. **The handrail clamp should be oriented outward. Insert the bolt through both holes on the handrail clamp, push the bolt through the hole in the baluster post, and fasten the nut to the outside so that the bolt head is on the inside of the stairs.**(See Illustration on next page) **Make sure the handrail clamp is fastened tightly together and the post is not between the two tabs. The bottom of each handrail section should be flush with the down hill edge of the Handrail Clamp. There is a self drilling screw for each stair section to screw the handrail into the handrail clamp.**

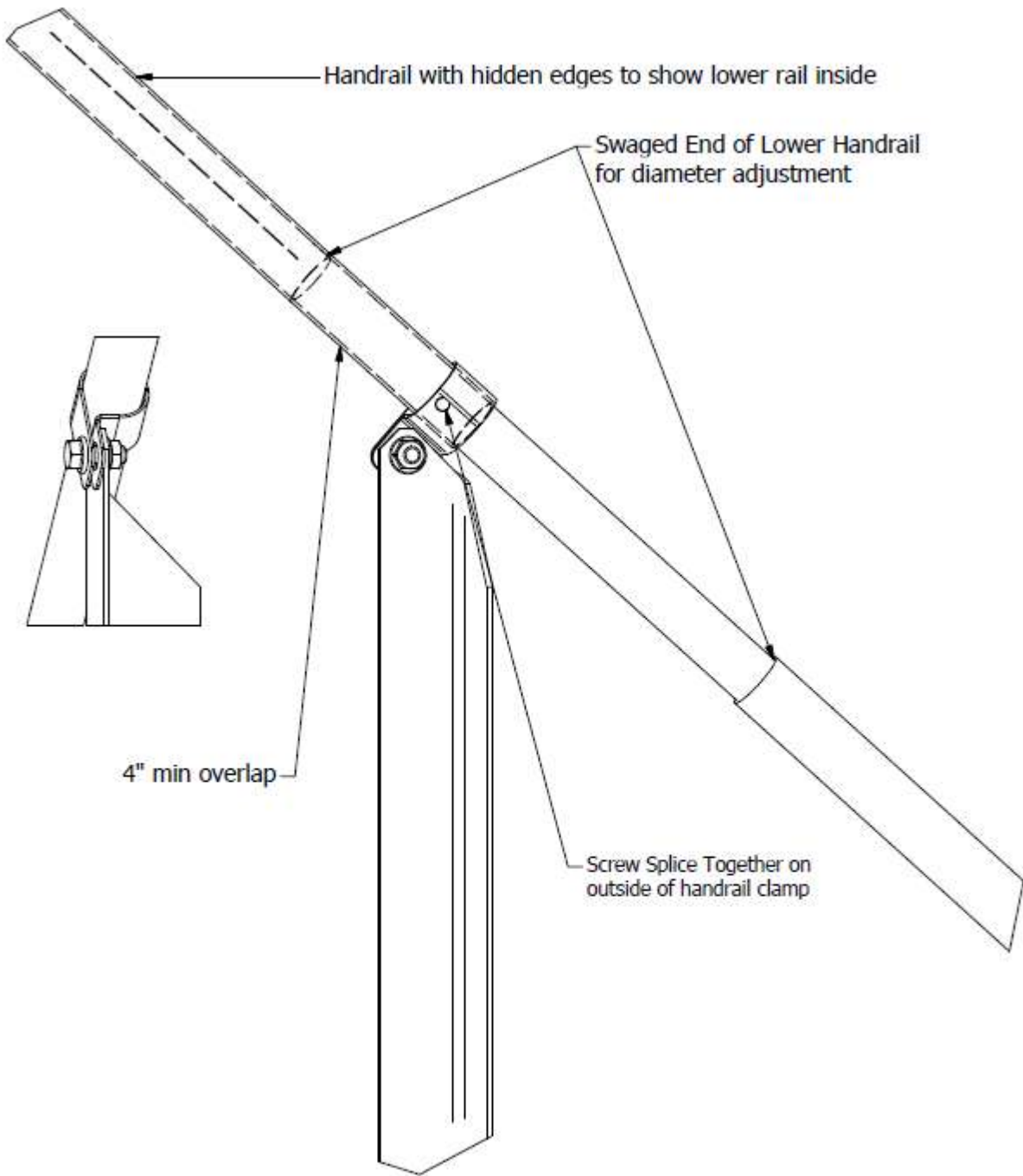


Intermediate rails bolt on the posts through the slots and are to be centered between each baluster post.

Recommended: Tubing Roll Former from Harbor Freight for Shaping Handrail to Bin Diameter.



Pittsburgh - Item#99736



Easy Step Handrail Clamp  
 Handrail Installation Layout  
 Outside View