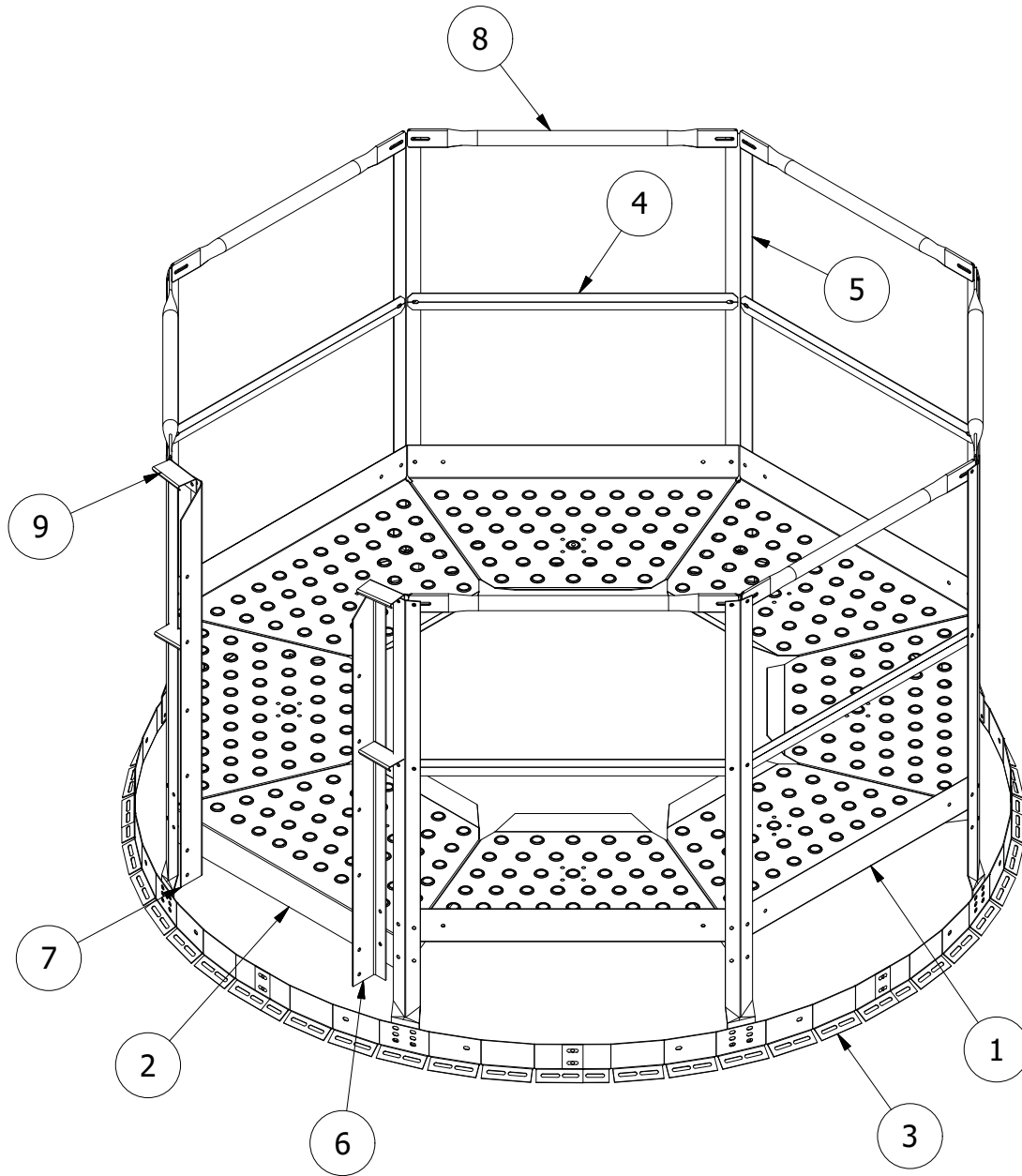


DRAWN Bill Huff	3/11/2019	Greene Galvanized Stairs East Lynn, IL 217.375.4244 www.greenebinstairs.com	
CHECKED		TITLE	
QA		ES50700 Easy Step 7' Walkaround Instructions	
MFG		SIZE	DWG NO
APPROVED		A	IN-ES5011
		SCALE	1 / 24
		SHEET	1 OF 3
		REV	



PARTS LIST - ES50700			
ITEM	QTY	PART NUMBER	DESCRIPTION
1	7	ES-5070	7' Intermediate Section
2	1	ES-5071	7' Entry Section
3	8	ES-SR07	7' Base Ring
4	7	ES-5072	7' Intermediate Handrail
5	8	ES-5123	11' Walk Post
6	1	ES-5143	11' Entry Post Right
7	1	ES-5144	11' Entry Post Left
8	7	TRS1503300	Walkaround Top Rail
9	4	ES-5073	7' Short Handrail

DRAWN Bill Huff	3/11/2019	Greene Galvanized Stairs East Lynn, IL 217.375.4244 www.greenebinstairs.com	
CHECKED		TITLE	
QA		ES50700 Easy Step 7'	
MFG		Walkaround Instructions	
APPROVED		SIZE A	DWG NO IN-ES5011
		SCALE 1 / 18	REV
		SHEET 2	OF 3

## ES50700 Easy Step 7' Walkaround Instructions

- Assemble and bend the Base Ring sections to form a ring approximately 90" in Diameter.
- Place the Base Ring on the bin roof and center around the fill lid.
- **IMPORTANT!** Choose one of the base ring splices and center it on the roof panel that runs up the center of the roof ladder. Align splice with the projected end point of the roof stair run
- Drill and bolt the base ring to the bin roof ribs in a minimum of 8 locations (try for 1 to 2 bolts per section) Use the distance from existing bolt holes in roof as a gauge to determine concentric placement around the roof.
- Tighten all splices on the base ring once it is fastened to the roof.
- Attach and finger tighten all posts to the base using the lowest possible hole combination that will work for the bin roof you are working with. The goal is to have the decks rest as level as possible against the bin roof.
- Find the entry deck section and install it between the two posts centered over the roof ladder/stair location using the lower hole of the pair in the post above the ring.
- Assemble intermediate decks in groups of 2, carry them up the roof and bolt them to the posts using the upper hole of the pair in the post immediately above the base ring and the hole nearest the edge in the kickboard of the deck.
- Attach the right and left entry posts between the two posts that center over the roof ladder.
- Attach the short hand rails and short intermediate rails. Plumb the posts with a level and tighten all connections.
- Attach the remaining intermediate rails
- Attach the remaining handrails.
- Plumb and tighten all connections.
- Tighten the post to base ring connections.
- Tighten Deck Splices.
- Using a TEK Screw fasten each deck to the roof at the inside deck lip.
- **Important!** Start any Roof Stair with the connection to the entry posts and work down. This is critical for alignment and uniformity.