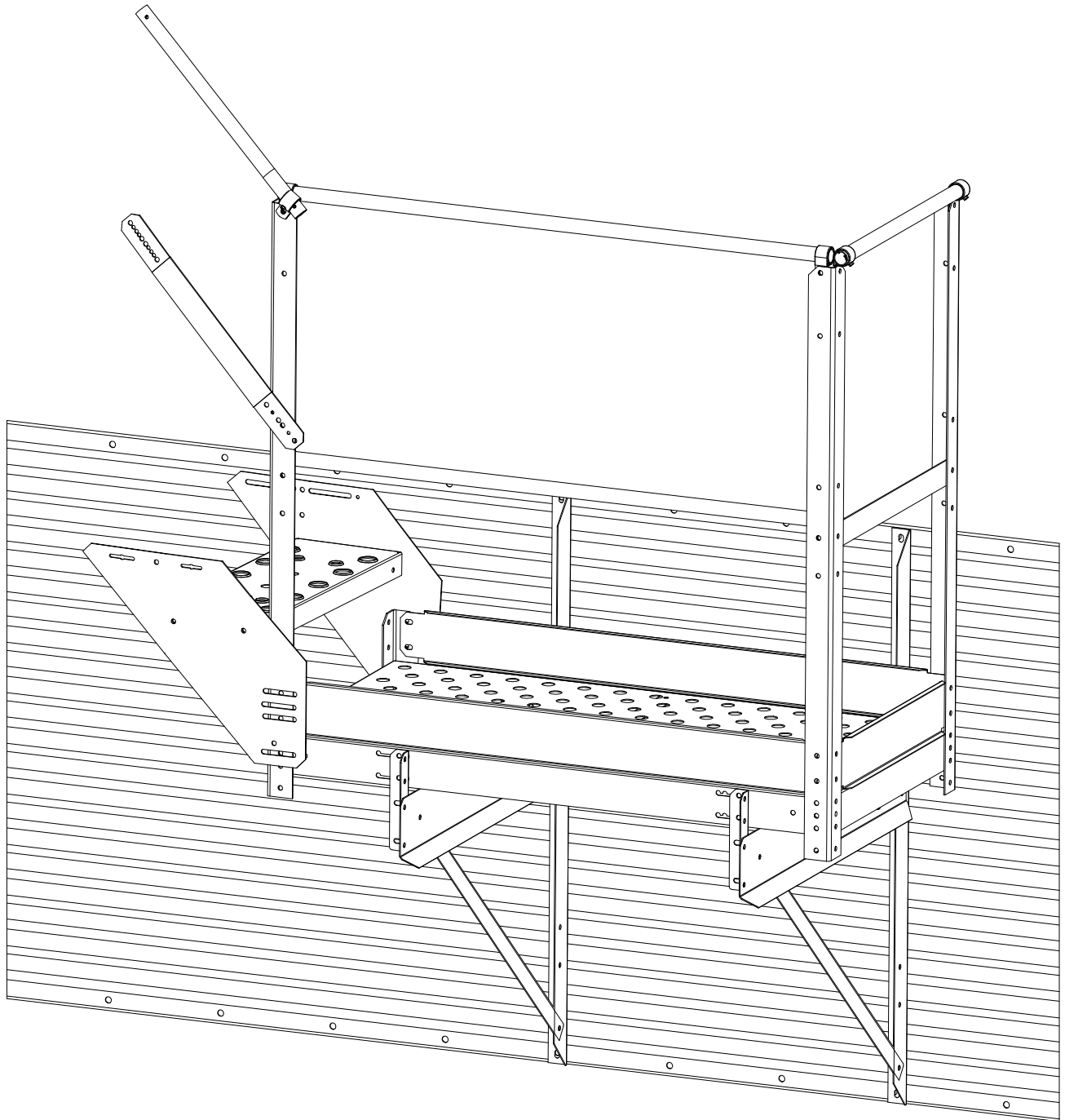


# ES3344, 44" Easy Step Mid Run Cross Over Platform



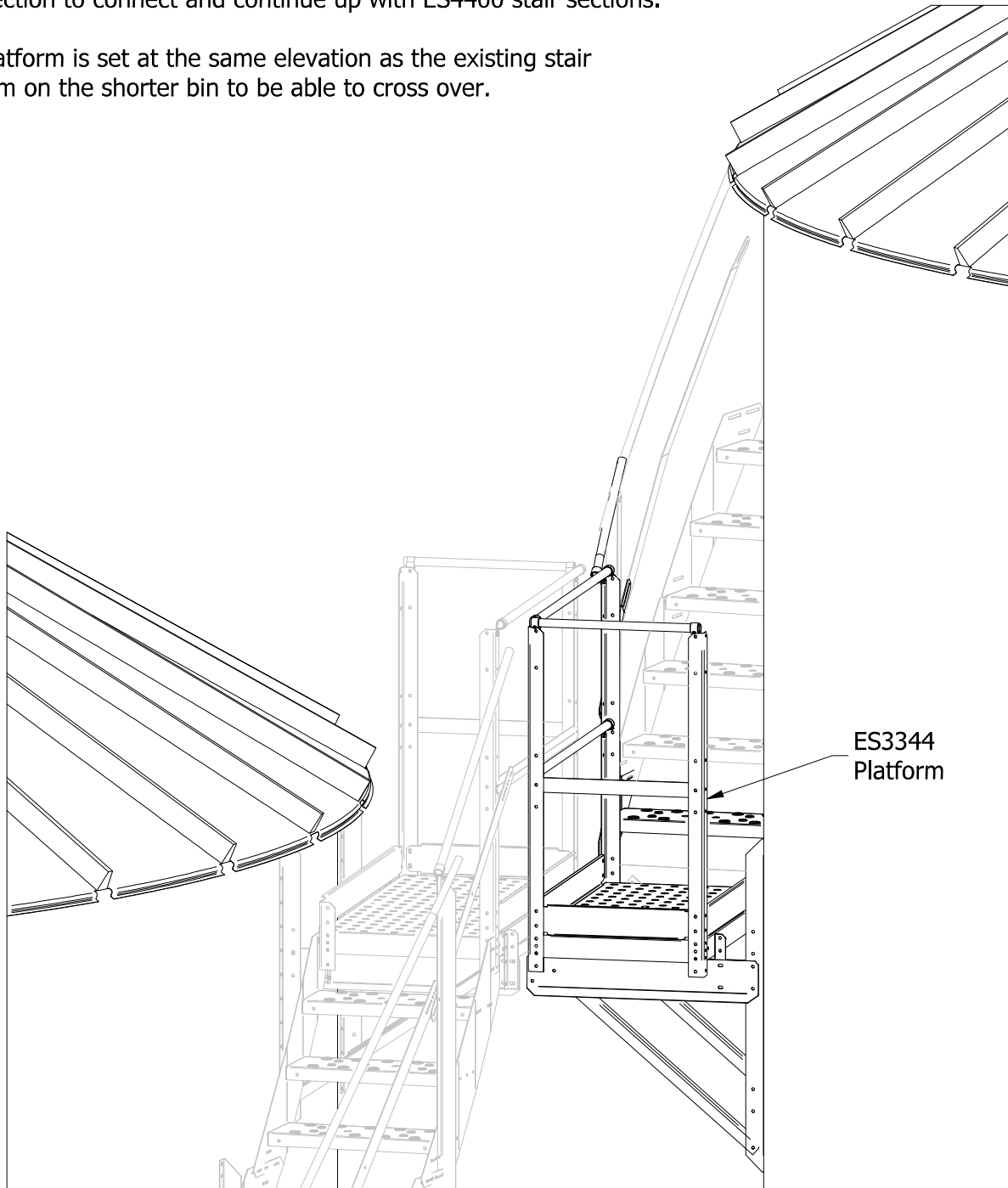
**GREENE**  
GALVANIZED STAIRS

# ES3344 Layout Considerations

Use the ES3344 to share Easy Step sidewall stairs between bins, when an existing bin has stairs and is shorter than the new bin.

The ES3344 platform is similar to an intermediate platform, but is enclosed on the downward side of the stairs. It has a 1-step upper stair section to connect and continue up with ES4400 stair sections.

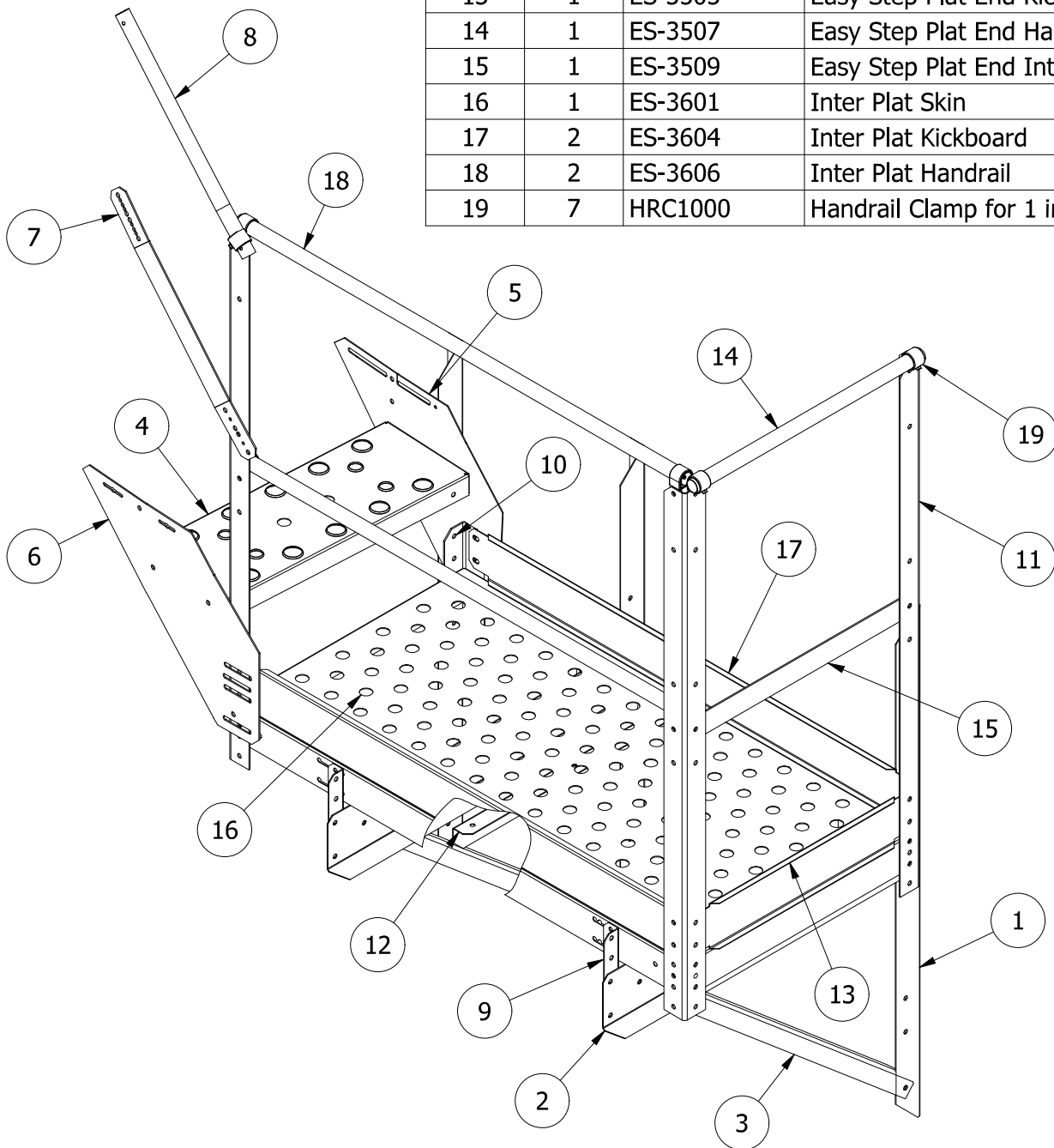
The platform is set at the same elevation as the existing stair platform on the shorter bin to be able to cross over.



# ES3344 Parts List

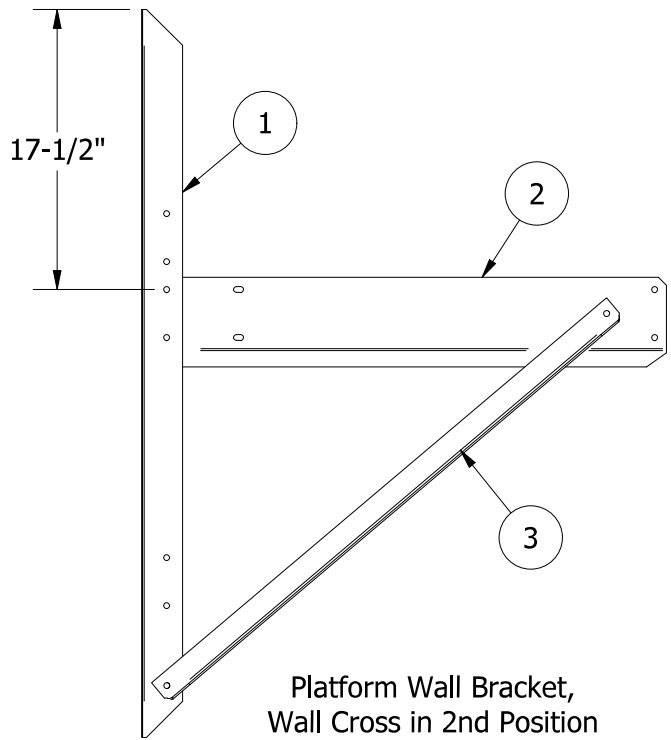
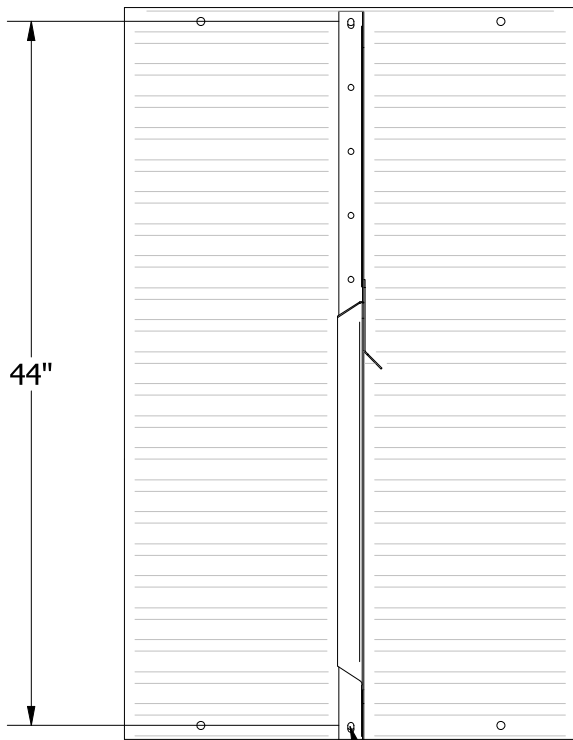
## PARTS LIST

ITEM	QTY	PART NUMBER	DESCRIPTION
1	2	ES-0001	Easy Step Wall Base
2	2	ES-0002	Easy Step Wall Cross
3	2	ES-0021	Easy Step Knee Brace
4	1	ES-0006	Easy Step Stair Step
5	1	ES-1601	Int Plat Upper Inside
6	1	ES-1602	Int Plat Upper Outside
7	1	ES-1604	44 Inter Plat Int Handrail
8	1	ES-1606	44 Inter Plat Handrail
9	4	ES-3001	Easy Step Platform Mount Post
10	1	ES-3002A	Easy Step Platform Short Post
11	3	ES-3003A	Easy Step Platform Post
12	1	ES-3008	Easy Step Plat Mid Brace
13	1	ES-3505	Easy Step Plat End Kickboard
14	1	ES-3507	Easy Step Plat End Handrail
15	1	ES-3509	Easy Step Plat End Int Rail
16	1	ES-3601	Inter Plat Skin
17	2	ES-3604	Inter Plat Kickboard
18	2	ES-3606	Inter Plat Handrail
19	7	HRC1000	Handrail Clamp for 1 in



# A-Frame Assembly

PARTS LIST		
ITEM	PART NUMBER	DESCRIPTION
1	ES-0001	Easy Step Wall Base
2	ES-0002	Easy Step Wall Cross
3	ES-0021	Easy Step Knee Brace

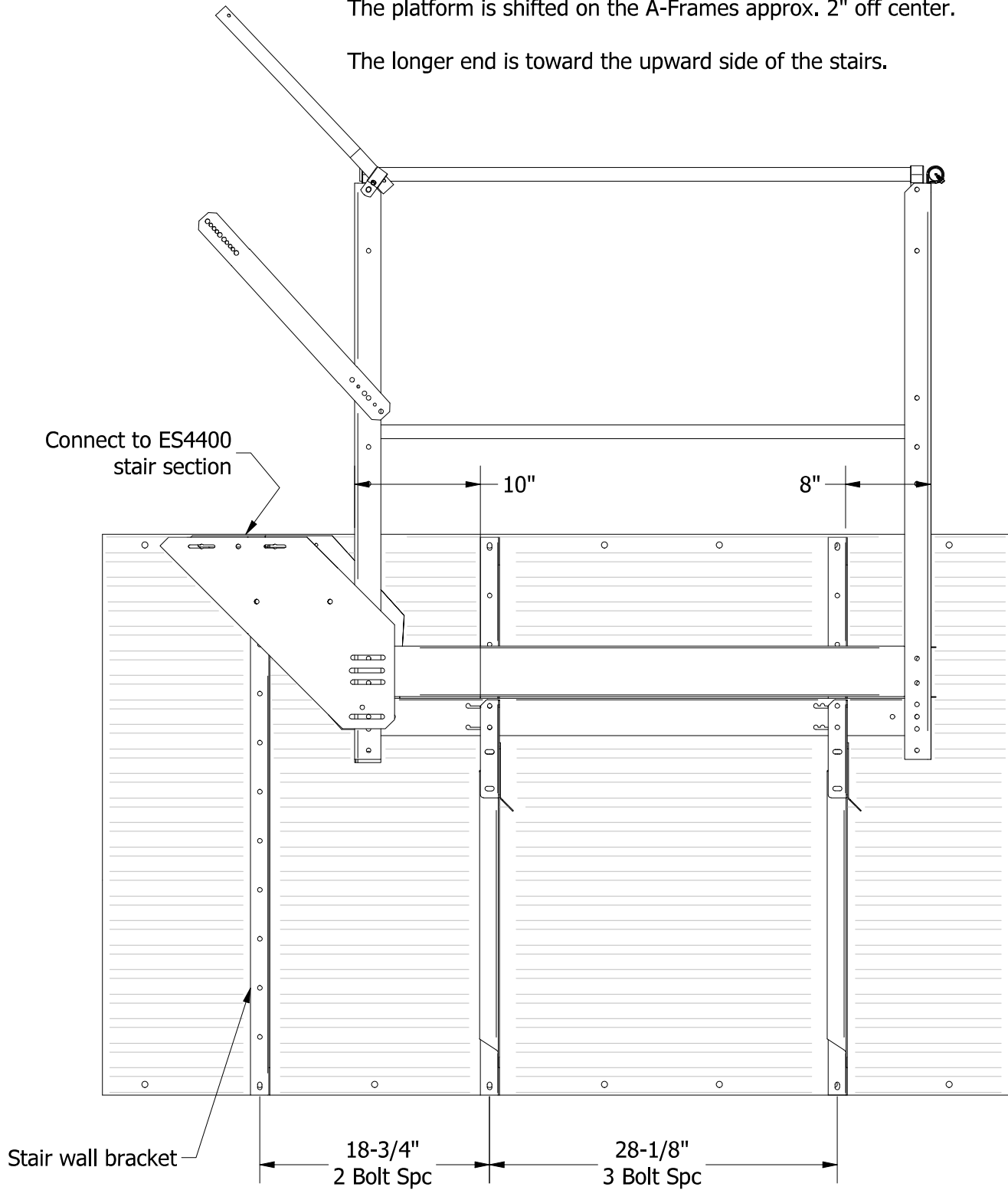


Top and bottom holes of wall brackets in the horizontal seams.

# ES3344 Wall Bracket Layout

The platform is shifted on the A-Frames approx. 2" off center.

The longer end is toward the upward side of the stairs.



There are **3** horizontal bolt spaces between the platform wall brackets.

There are **2** horizontal bolt spaces from the platform wall bracket to the 1st stair wall bracket.