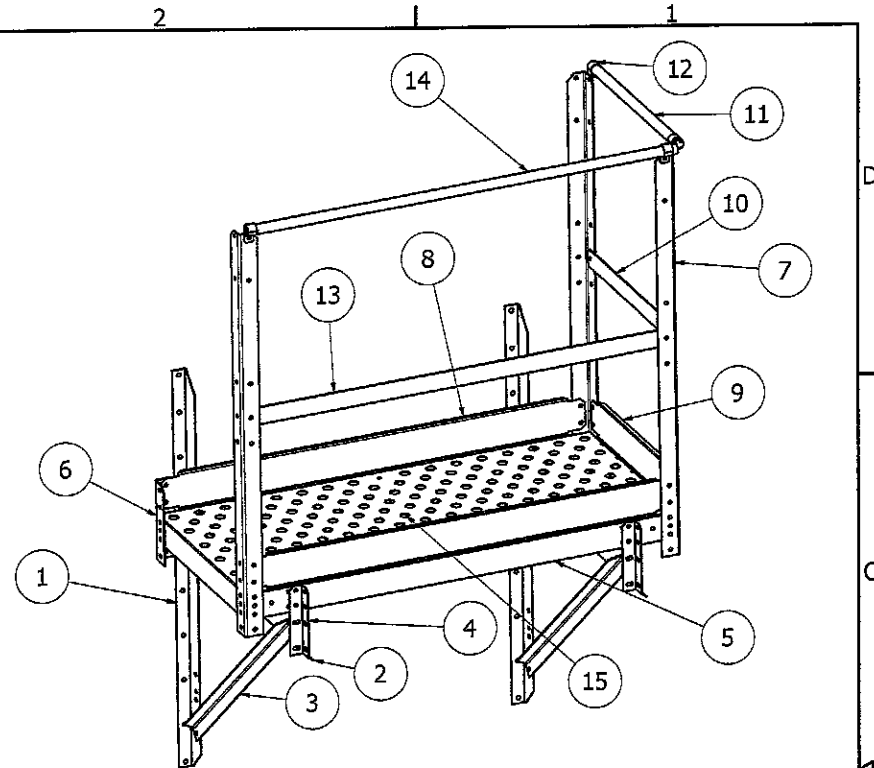


PARTS LIST			
ITEM	QTY	PART NUMBER	DESCRIPTION
1	1	ES-4501 wall base	45.5 x 4 x 14 ga
2	1	ES-0002 wall cross	32 x 6 x 14 ga
3	2	ES-0011 Post	57.25 x 3.5 x 12 ga
4	1	ES-0012 Short Post	18.5 x 3 x 12 ga
5	1	ES-3101 inner plat siderail	
6	3	ES-0006 Stair step	27.5 x 11.5 x 16 ga
7	1	ES-3102 outer plat siderail	
8	1	ES-4507 45 step tie	23.5 x 1.5 x 16 ga
9	1	ES-3105 31 inter handrail	66 x 2 x 12 ga
10	1	ES-3106 31 Handrail	68 x 1 id swage 11
11	3	F0708799 handrail clip	



PARTS LIST			
ITEM	QTY	PART NUMBER	DESCRIPTION
1	2	ES-4501 wall base	45.5 x 4 x 14 ga
2	2	ES-0002 wall cross	32 x 6 x 14 ga
3	2	ES-0021 knee brace	37.25 x 3 x 12 ga
4	4	ES-3001 Plat mount Post	8 x 3 x 14 ga
5	1	ES-3501A Plat skin	56.5 x 30 x 16 ga
6	1	ES-3002 Plat post short	9.25 x 4 x 14 ga
7	3	ES-3003 Plat post	47 x 4 x 12 ga
8	2	ES-3504 plat side kickboard	49.5 x 5 x 14 ga
9	1	ES-3505 plat end kickboard	23 x 5 x 16 ga
10	1	ES-3509 plat end int rail	23.5 x 2 x 12 ga
11	1	ES-3507 plat end handrail	1" id x 23.5
12	4	F0708799 handrail clip	
13	1	ES-3508 plat side int rail	50 x 2 x 12 ga
14	1	ES-3506 plat side handrail	1" id x 50"
15	1	ES-3008 plat mid brace	23.5 x 3.75 x 14 ga

DRAWN	Rex A Greene	2/12/2011	Greene Welding and Hardware Inc.	
			Greene Galvanized Stairs	
			TITLE 217/375/4244	
			www.greenestairs.com	
MFG			IN-ES3005	
APPROVED			SIZE C	DWG NO
				REV