

# Easy Step Instructions

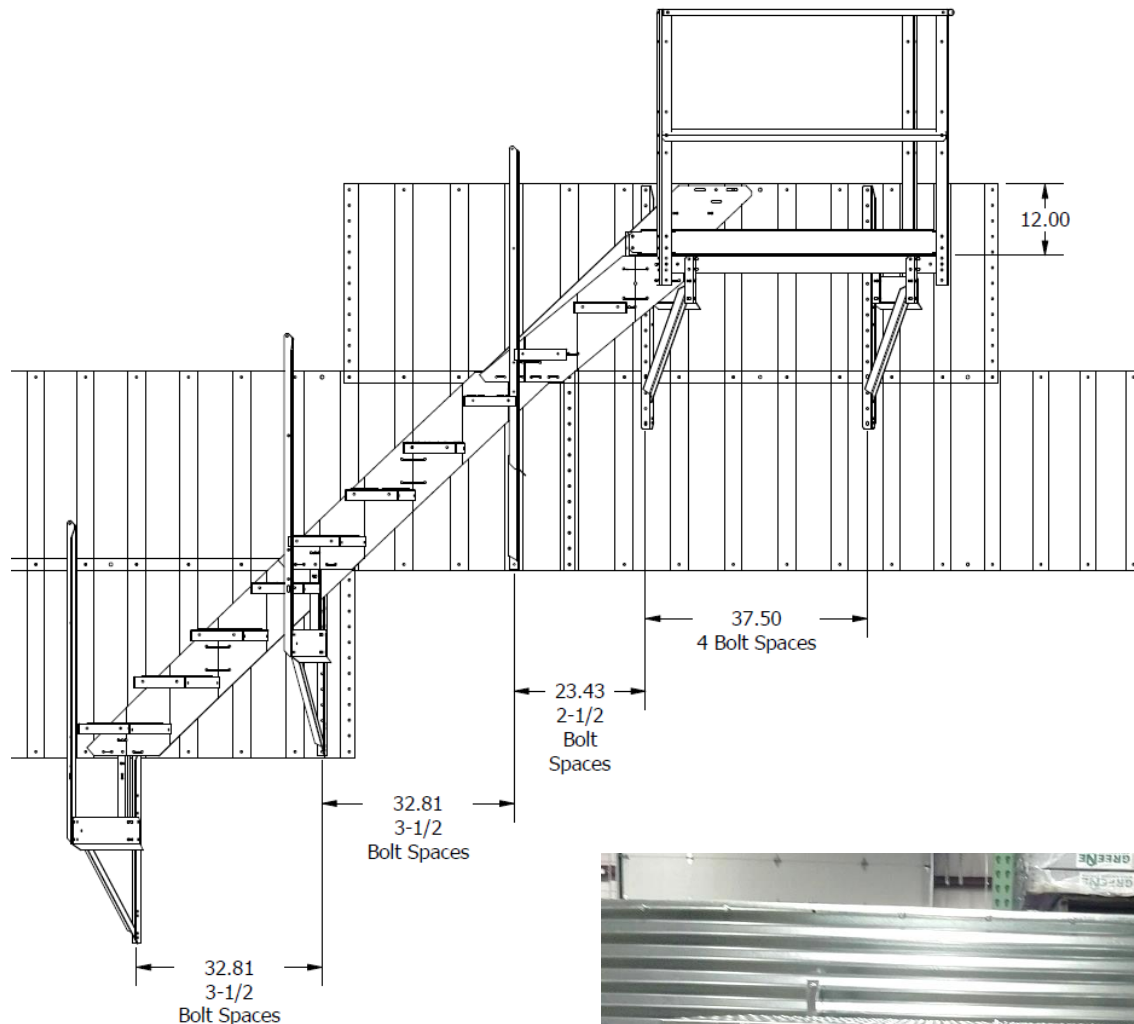


Please read this entire sheet before starting to avoid the need to disassemble and redo steps.

## 1. Platform Layout

ES3532 platform rests 12" below the eave and the A-frame brackets are 4 bolt spaces (37 1/2"). It is recommended to place two thirds of the platform under the roof ladder with the remainder under the manhole. The 2-step stair section attaches to the platform and has an A-frame 2-1/2 bolt spaces (23 7/16") from the platform A-frame. This stair section is included in the ES3532 platform package.

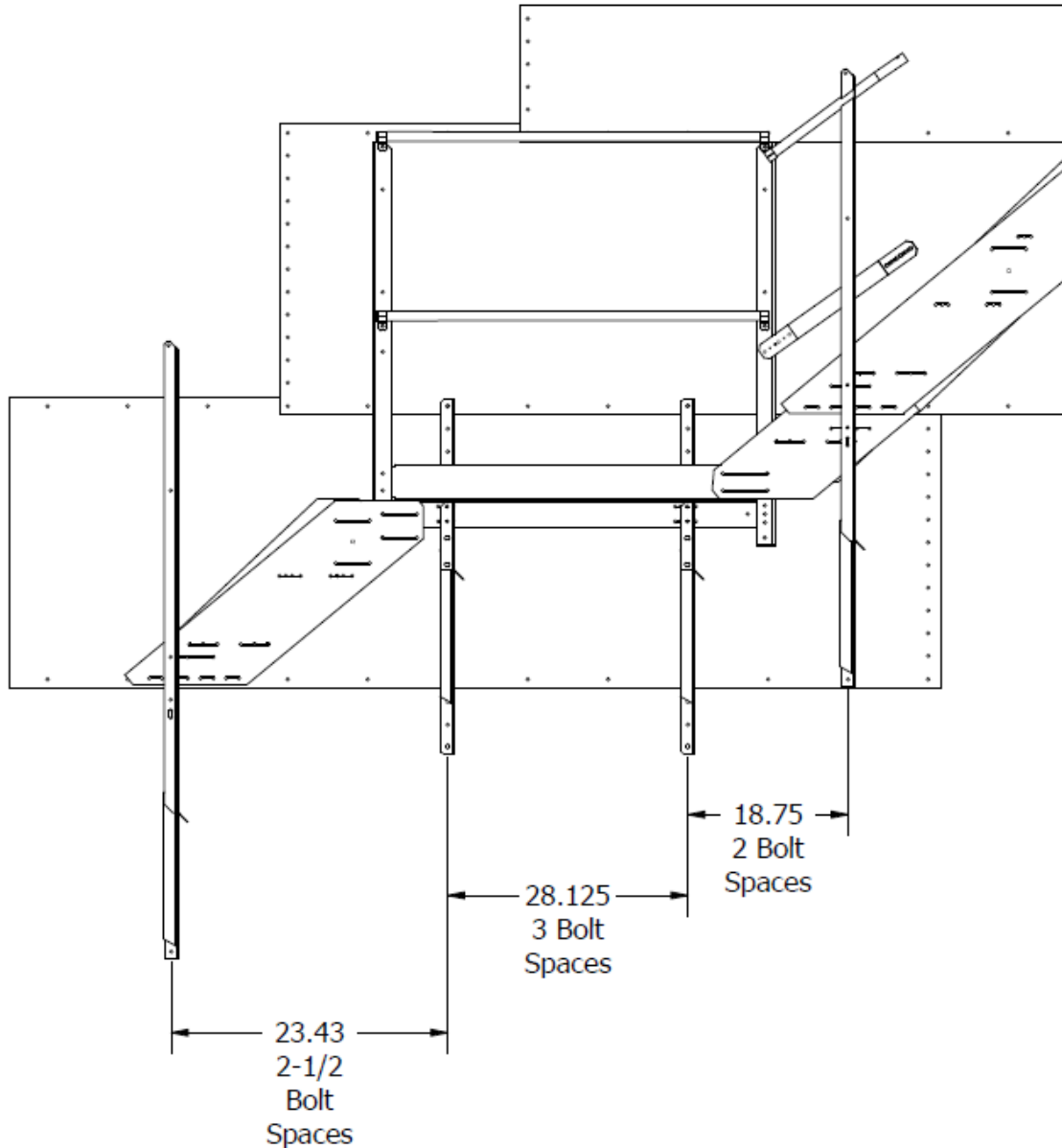
The 4-step stair section has an A-frame 3-1/2 bolt spaces (32 13/16") apart. Every other sheet will have to be field drilled to add the 1/2 bolt spaces (unless the sheets are double punched).



## 2. Intermediate Platform Layout

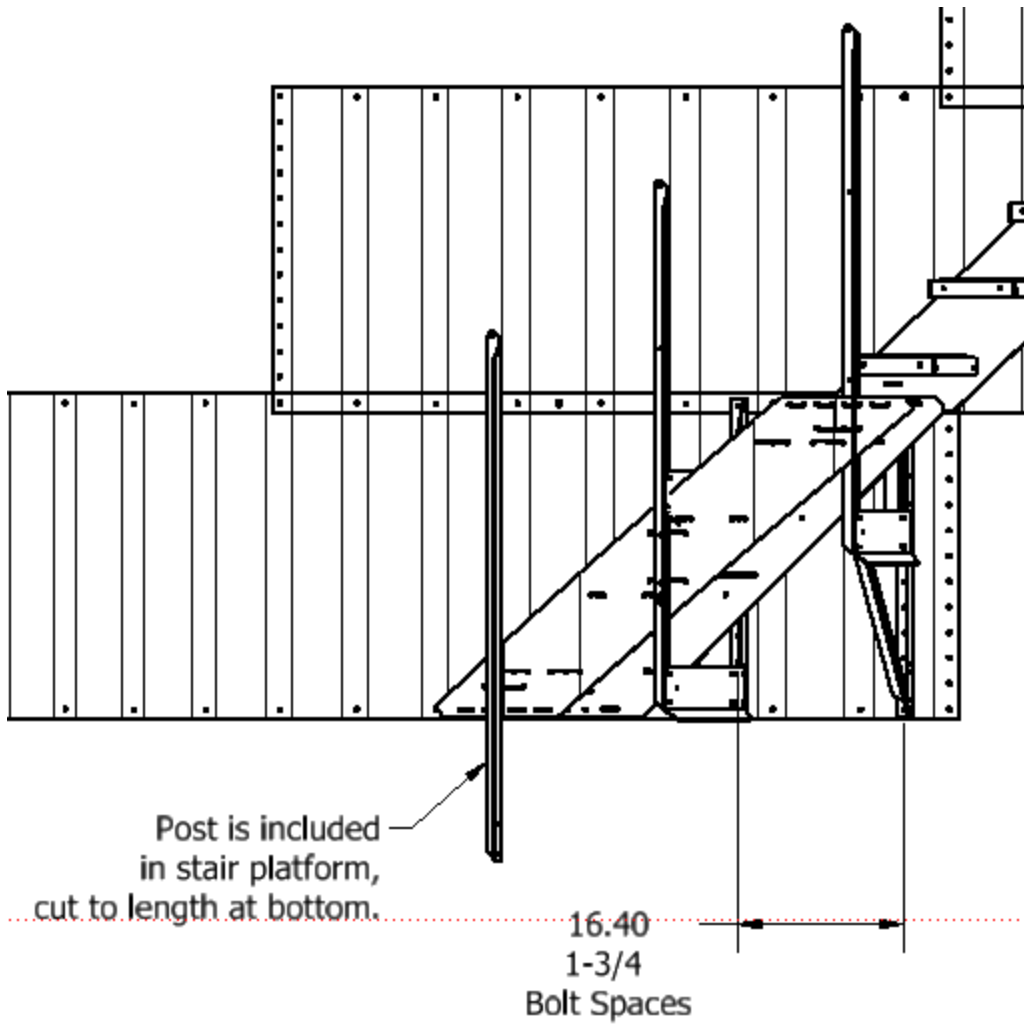


## IN-ES0005, Easy Step for 32" rings

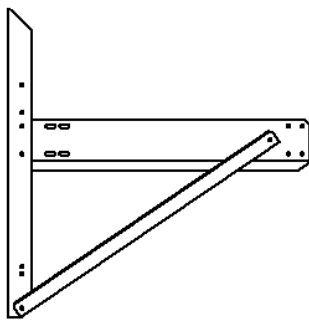


1. The platform should be laid out with the longer end toward the upward run of the stairs.
  2. From the top down, the wall brackets are spaced 2, 3, 2-1/2 in terms of bolt spaces
    - **Two** from the last stair section
    - **Three** from the first intermediate platform wall bracket.
    - **Two and a half** from the last intermediate platform wall bracket to the next stair wall bracket.
  3. Platform A-frame wall brackets should be assembled like the platform layout shows in the instruction manual.
- 3. Bottom Section Layout**

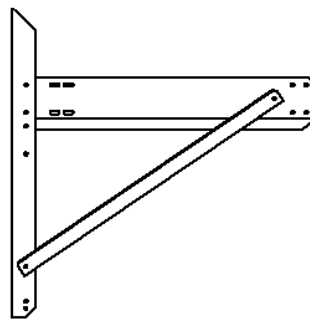
# IN-ES0005, Easy Step for 32" rings



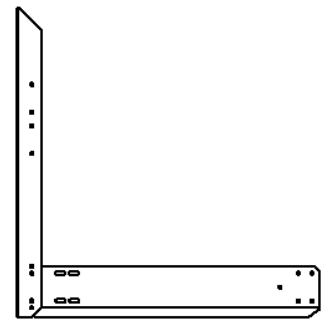
## Assemble A-Frames



Stair A-Frame Bracket



Platform A-Frame Bracket



Bottom Bracket

## Assemble Stair Sections

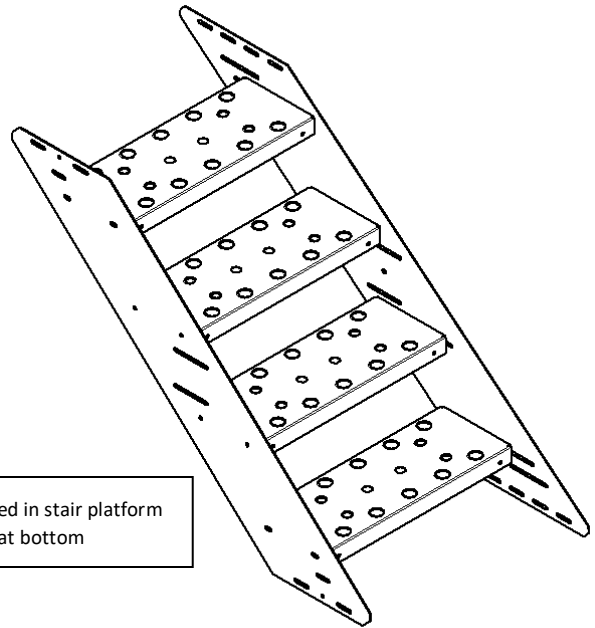
# IN-ES0005, Easy Step for 32" rings

**Painted end of siderails are ALWAYS UP.**

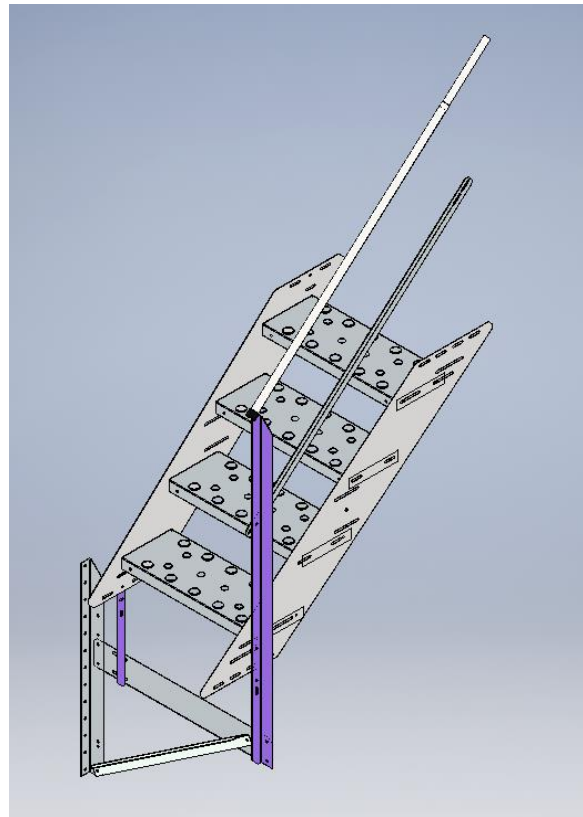
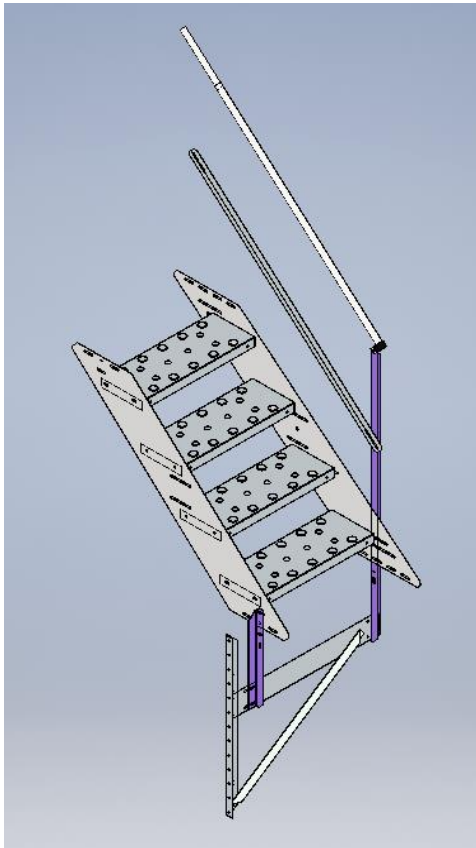
The ES3200 stair section has four steps. The A-frame attaches 3-1/2 bolt spaces (32.81" or 32-13/16") from the preceding A-frame.

Both the inside and outside siderails on ES3200 stair sections are one-piece.

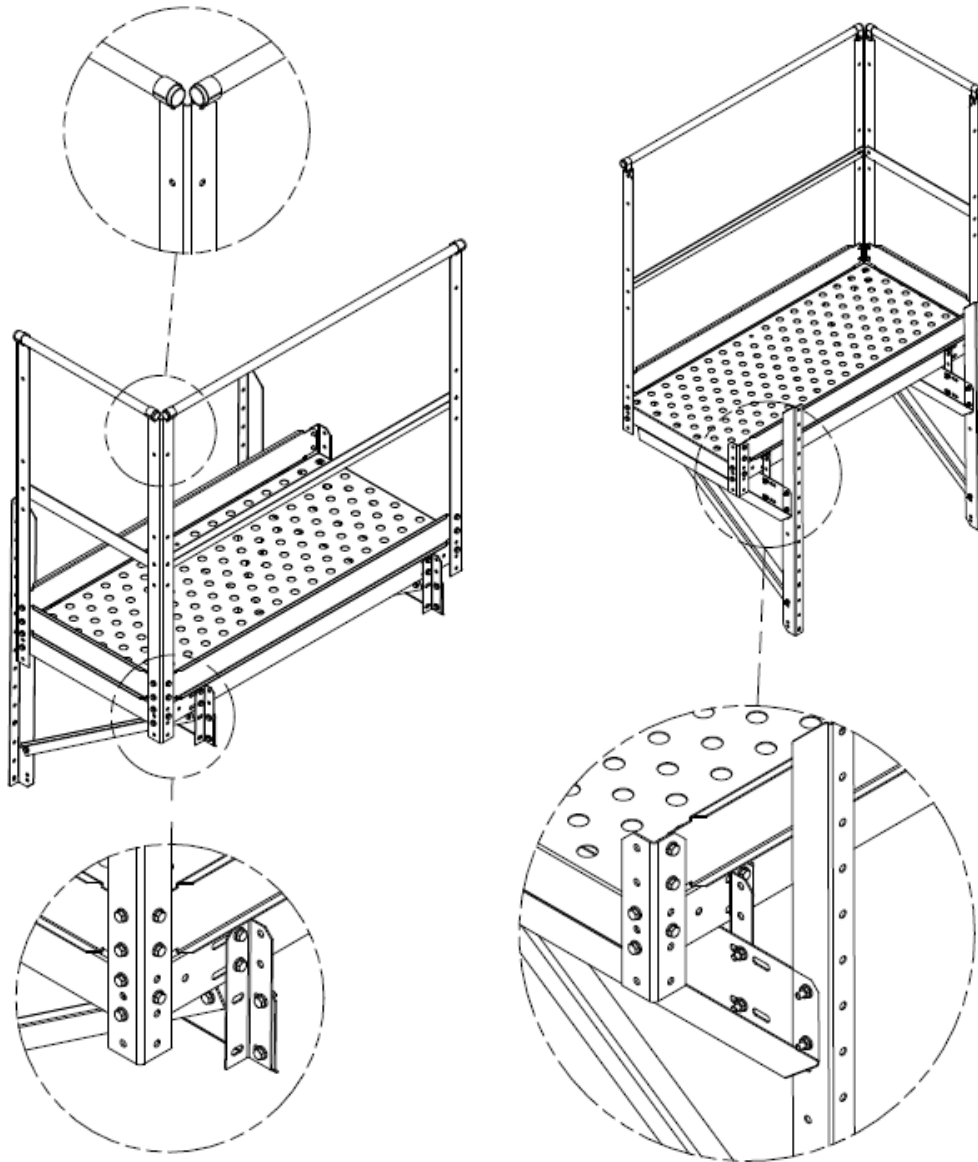
Post is included in stair platform  
Cut to length at bottom



Attach the steps and tighten the steps to the inside siderail also attach to the slots in the outside siderail but leave the slot connections loose for later adjustment.



## IN-ES0005, Easy Step for 32" rings



### **Assemble the Platform**

These Instructions are for putting the stairs on as the bin is being built.

Attach the platform A-frames to begin installation.

**IMPORTANT: See A-frame bracket layout drawing for up and down indicator on wall bracket.**

Attach the mid brace to the bottom of the platform skin through the pre-punched holes.

Attach platform skin to A-frames with the four short platform mount posts.

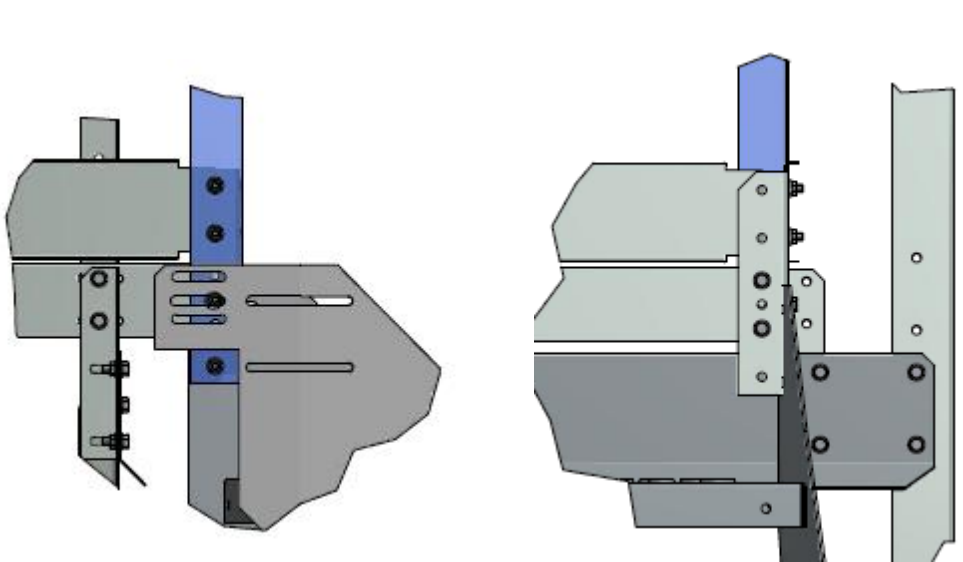
Attach the platform posts and the kickboard post to the corners of the platform.

Attach the kick boards, hand and intermediate rails.

Attach stair section to platform with the hole in the platform skin and the bottom hole of the posts on the inside and outside siderail. The shallow holes on the outside siderail are for smaller bins

## IN-ES0005, Easy Step for 32" rings

(typ. 60' and under) and the deep holes are for larger bins. The top of the side rail is flush with deck to clear the kick board.



Outside Siderail Connection

Inside Entry Detail

Try to keep the inside siderail as close to the center of the adjustment slot as possible to keep the stairs from creeping forward down the bin. Continue to monitor this as you put successive sections on by watching the connections on the short post to the siderail. Stay as close as possible to center and keep post plumb.

Tighten stair sections from the inside out and from the top down. Always level the bottom step before tightening the outside siderail splice. Use the slotted connections on the outside siderail to adjust steps for even fan pattern.

Tighten all connections

# IN-ES0005, Easy Step for 32" rings

## Attach Stair Sections

Attach the A-frame to the bottom of the siderail using the top hole on the short post and the top hole (of the two) in the baluster post directly above the wall cross. After jacking the bin the A-frame will fit into place and be ready to attach the wall bracket to the bin wall.

The bin wall brackets call for one bolt at the top and bottom of the bracket on the horizontal bolt seam. (See layout section for attachment bolt spacing info.)

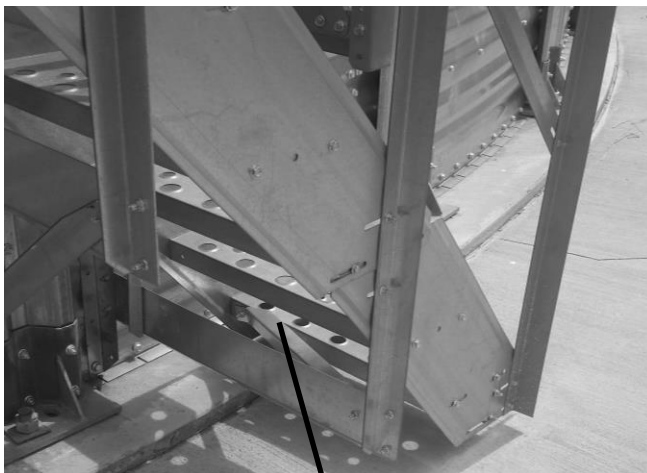
When attaching ES3200 stair sections, use the same procedure as the stair section on the platform, by leveling the middle steps and tightening the upper splice. ES3200 wall brackets are spaced 3-1/2 bolt spaces, or 32.8" around the bin.

## Assembly and Finishing of Bottom Section

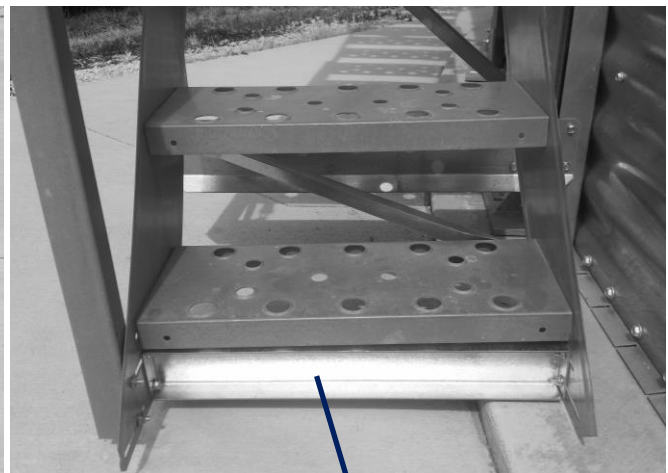
1. Attach ES-0026 bottom knee brace to the rear inside hole of the bottom step
2. Attach the other end of the ES-0026 to the ES-3902 wall cross in the hole that would normally have a knee brace as pictured above.

NOTE: On some bin diameters this may not work. If the stair system has to be severely deformed to use this hole, simply drill a hole to allow connection.

3. Attach the ES-0024 bottom brace bracket to the inside and outside siderails under the bottom step so as to not be in the walk path when coming off of the step.
4. On bins with a rolled flange bottom ring it may be necessary to move the bottom brace up to the step bolts for the upper holes.
5. If possible, attach the bottom post to the bottom brace bracket. If that causes the post to be misaligned with the handrail and intermediate rail, then attaching them separately to the outside siderail will be adequate.



ES-0026  
Bottom Knee Brace



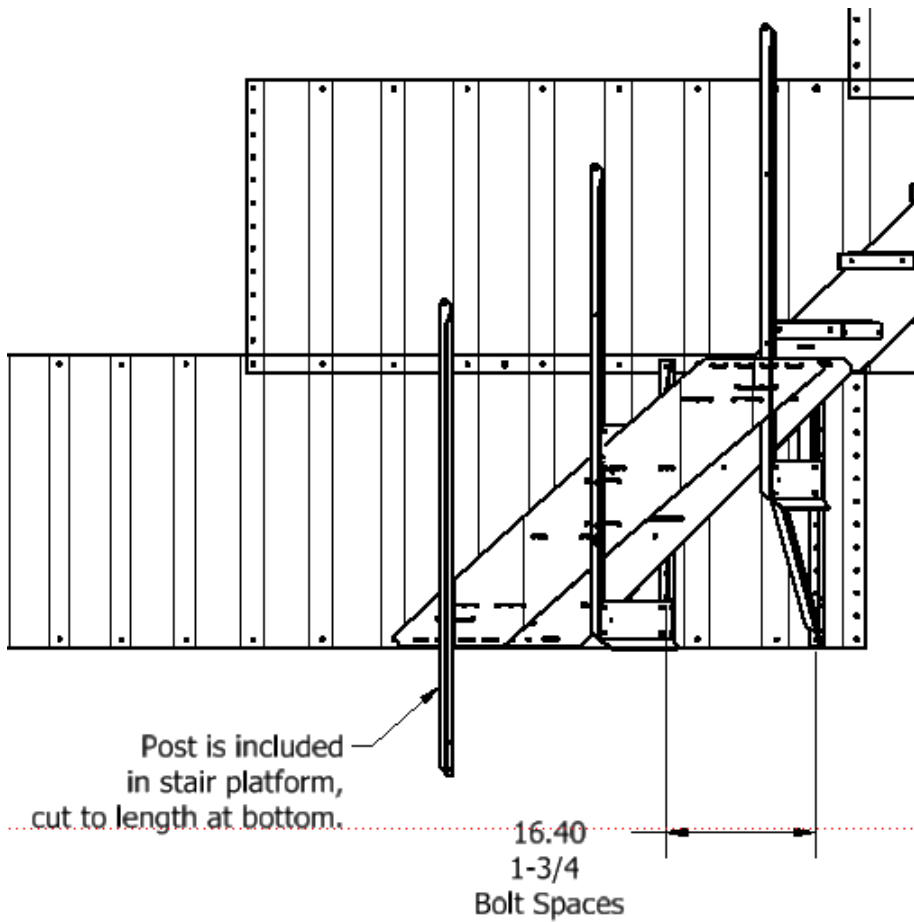
ES-0024  
Bottom Brace Bracket

# IN-ES0005, Easy Step for 32" rings

## Attach Bottom Section

The bottom section uses a special configuration of the A-frame. For assembly see the A-frame drawing. It attaches in the middle of the stair section and it is 1-3/4 bolt spaces, or 16.4" +/- from the last wall mount.

There is a baluster post, bottom brace bracket and bottom knee brace included with the platform that attaches to the bottom of the bottom section. This allows the handrail to end at the bottom of the stairs and braces the bottom two steps and post.

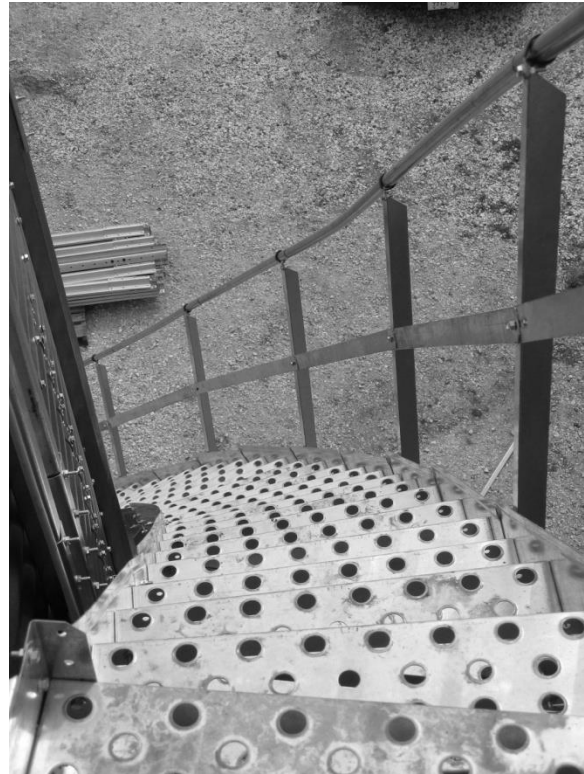




## IN-ES0005, Easy Step for 32" rings

### Attach Handrail

Shape the round handrail according to the circumference of the bin and attach them to the baluster posts using the coated "p-strap" with the **swaged end facing up** in the direction of the stair run. **The handrail clamp should be oriented outward. Insert the bolt through both holes on the handrail clamp, push the bolt through the hole in the baluster post, and fasten the nut to the outside so that the bolt head is on the inside of the stairs.**(See Illustration on next page) Make sure the handrail clamp is fastened tightly together and the **post is not between the two tabs**. The bottom of each handrail section should be flush with the down hill edge of the handrail clamp. There is a self drilling screw for each stair section to screw the handrail into the handrail clamp.



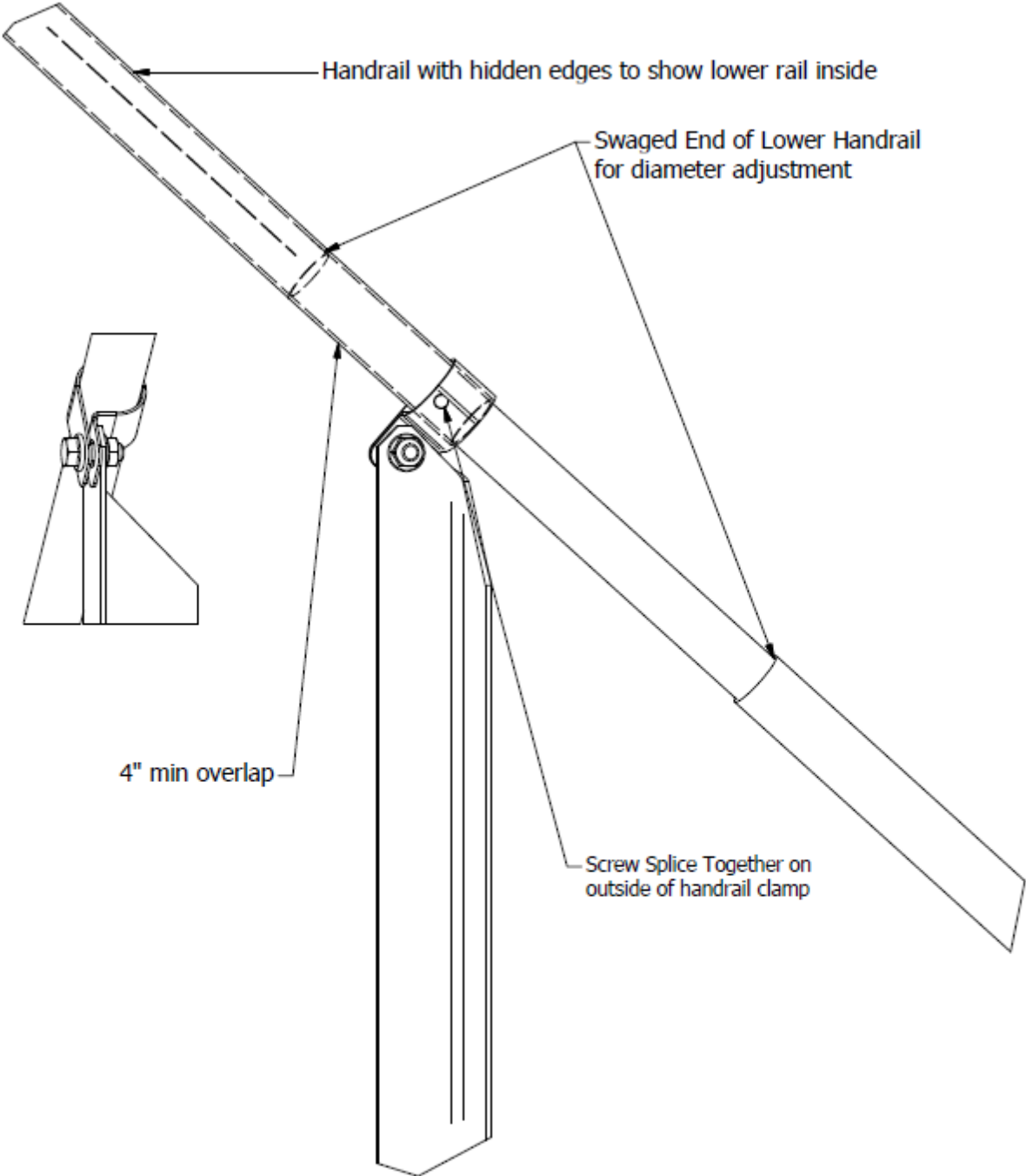
Intermediate rails bolt on the posts through the slots and are to be centered between each baluster post.

Recommended: Tubing Roll Former from Harbor Freight for Shaping Handrail to Bin Diameter.



Pittsburgh - Item#99736

IN-ES0005, Easy Step for 32" rings



Easy Step Handrail Clamp  
Handrail Installation Layout  
Outside View

# IN-ES0005, Easy Step for 32" rings

## ES3200, 32" Easy Step Stair Section

PARTS LIST			
ITEM	QTY	PART NUMBER	DESCRIPTION
1	1	ES-3202	Easy Step 32 Inside Siderail
2	1	ES-3203	Easy Step 32 Outside Siderail
3	4	ES-0006	Easy Step Stair Step
4	1	ES-3206	Easy Step 32 Handrail
5	1	ES-3204	Easy Step 32 Int Rail
6	1	HRCI000	Handrail Clamp for 1 in
7	1	ES-3201	Easy Step 32 Wall Base
8	1	ES-0012	Easy Step Short Post
9	1	ES-3902	39 Wall Cross
10	1	ES-3921	39 Knee Brace
11	1	ES-0011	Easy Step Stair Post
12	1	* ES-0024	Easy Step Bottom Brace Bracket
13	1	* ES-0026	Easy Step Bottom Knee Brace

\* Items 12 & 13 used on bottom section only

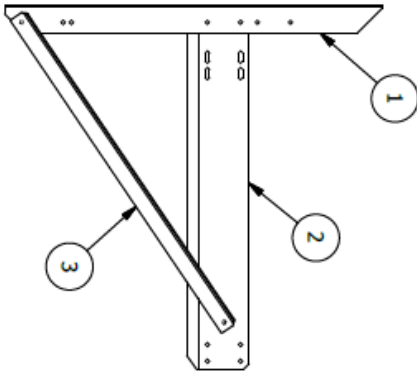
		GREEN GALVANIZED STAIRS Greene Galvanized Stairs	
PART NO. ES3200	TITLE 32" Easy Step Stair Section	DATE A	SHEET 1 OF 1

# IN-ES0005, Easy Step for 32" rings

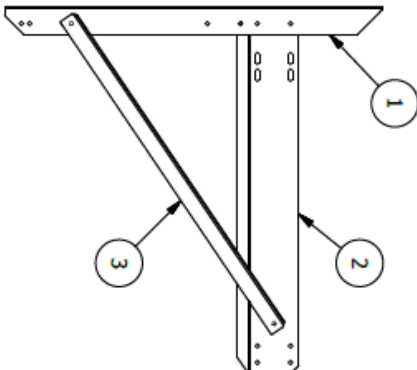
## 32" Easy Step A-Frame Assembly

PARTS LIST		DESCRIPTION
ITEM	QTY	PART NUMBER
1	1	ES-3201
2	1	ES-3902
3	1	ES-3921

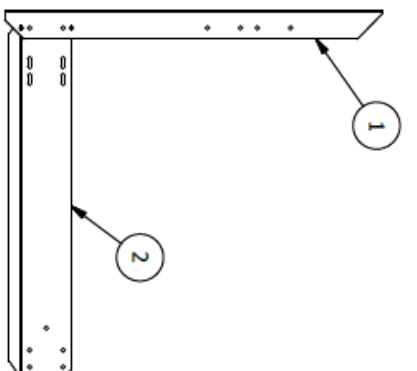
  



**Stair A-Frame Bracket**




**Platform A-Frame Bracket**



**Bottom Bracket**

DATE	1/25/2017
CHECKED	
QA	
APPROVED	
TITLE	Greene Galvanized Stairs
ES3200 A-Frame	
SIZE	A
SCALE	



REV	ES3200 A-Frame
-----	----------------

SHEET	1	OF	1
-------	---	----	---

# IN-ES0005, Easy Step for 32" rings

## ES3532, 32" Easy Step Platform & Stair Assembly

Includes the Easy Step Stair Platform and 2-Step Stair Section

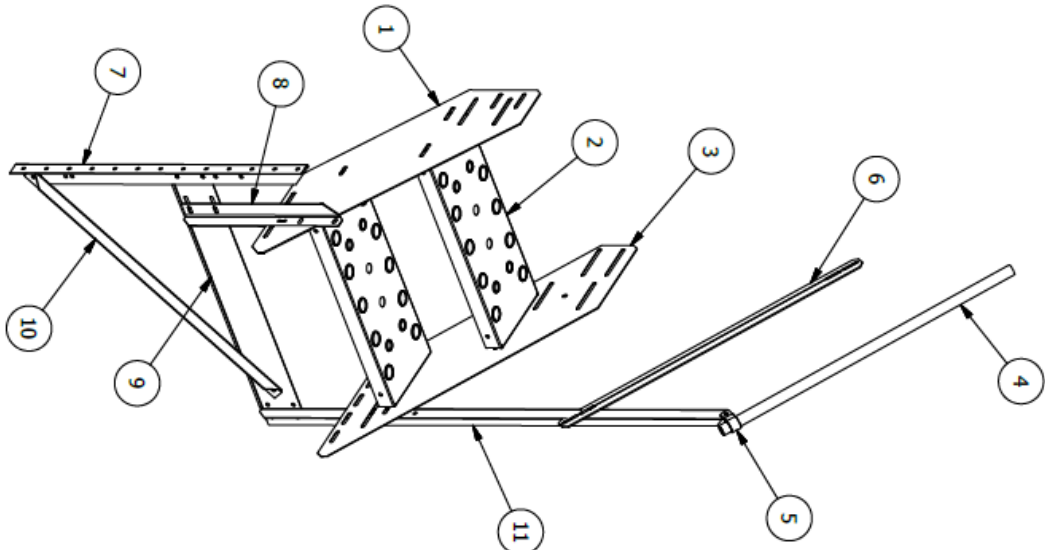
PARTS LIST			
ITEM	QTY	PART NUMBER	DESCRIPTION
1	1	ES-3501A	Easy Step Platform Skin
2	3	ES-3003A	Easy Step Platform Post
3	1	ES-3002A	Easy Step Platform Short Post
4	4	ES-3001	Easy Step Platform Mount Post
5	1	ES-3505	Easy Step Plat End Kickboard
6	2	ES-3504	Easy Step Plat Side Kickboard
7	1	ES-3506	Easy Step Plat Side Handrail
8	1	ES-3507	Easy Step Plat End Handrail
9	1	ES-3508	Easy Step Plat Side Int Rail
10	1	ES-3509	Easy Step Plat End Int Rail
11	1	ES-3008	Easy Step Plat Mid Brace
12	2	ES-3205	Easy Step 32 Platform Wall Base
13	2	ES-3902	39 Wall Cross
14	2	ES-3921	39 Knee Brace

<p><b>GREENE</b> GALVANIZED STAIRS</p> <p>Greene Galvanized Stairs</p> <p>ES3532 Stair Platform</p> <p>32 Stair Platform</p>	<p>DATE: 1/25/2017</p> <p>SCALE: A</p> <p>SHEET 1 OF 1</p>
--	--


## ES3532, 32" Easy Step Platform & Stair Assembly

Includes the Easy Step Stair Platform and 2-Step Stair Section

# IN-ES0005, Easy Step for 32" rings



PARTS LIST			
ITEM	QTY	PART NUMBER	DESCRIPTION
1	1	ES-3208	Easy Step 32 Platform Inside Siderail
2	2	ES-0006	Easy Step Stair Step
3	1	ES-3209	Easy Step 32 Platform Outside Siderail
4	1	ES-3210	Easy Step 32 Platform Handrail
5	1	HRC1000	Handrail Clamp for 1 in
6	1	ES-3211	Easy Step 32 Platform Int Rail
7	1	ES-3201	Easy Step 32 Wall Base
8	1	ES-0012	Easy Step Short Post
9	1	ES-3902	39 Wall Cross
10	1	ES-3921	39 Knee Brace
11	1	ES-0011	Easy Step Stair Post



**GREEN**  
GALVANIZED STAIRS

DESIGNED	DATE	BY	SCALE
CHECKED	DATE	BY	SCALE
APPROVED	DATE	BY	SCALE
TITLE Greene Galvanized Stairs Easy Step 32 Platform Stair Section 32 Stair Platform Stair Assy			
DRAWING NO.		SHEET 1 OF 1	