

IN-ES0003

ES3900

Easy Step Instructions



Please read this entire sheet before starting to avoid the need to disassemble and redo steps.

Layout:

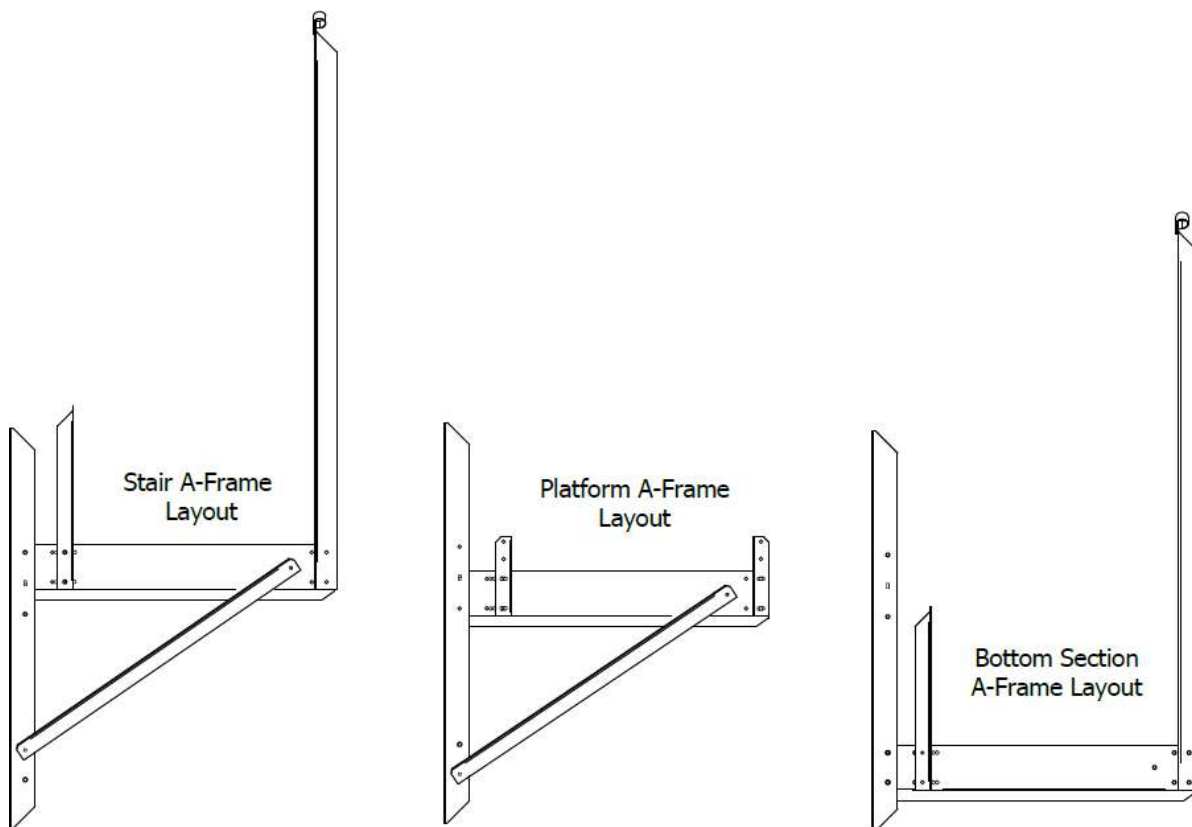
Attach the platform A-frames to begin installation. It is recommended to place two thirds of the platform under the roof ladder with the remainder under the manhole.

IMPORTANT: See wall bracket layout drawing for up and down indicator on wall bracket

ES3539 Platform rests 11" below the eave and the A-frame brackets are 9 bolt spaces apart. (36 7/8")

ES2400 Stair Section attaches to the platform and has an A-frame 7 bolt spaces (28 3/4") from the platform A-frame. This Stair Section is included in the ES-3539 platform package.

ES3900 Stair Section has five steps. The A-frame attaches 9 bolt spaces (36 7/8") from the preceding A-frame.



A-Frame Layout Drawing

These Instructions are for putting the stairs on as the bin is being built.

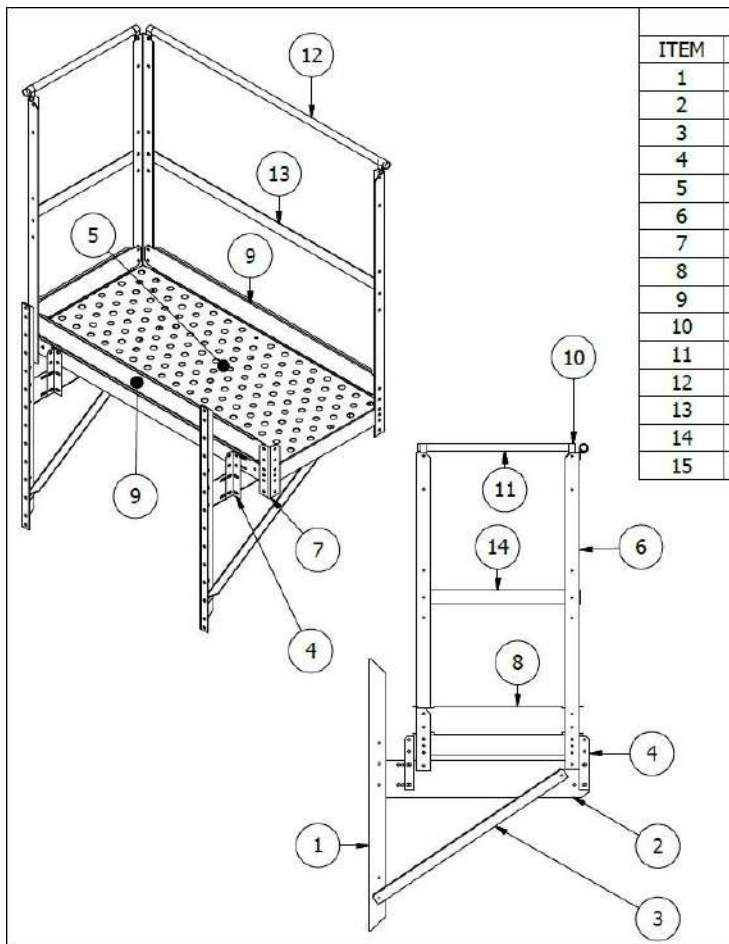
Assemble Stair Sections

Painted end of Siderails are ALWAYS UP.

On all Stair Sections the Outside Siderails are the ones that have more adjustment slots and holes. The Outside Siderails on ES-3900 Stair Sections are two piece

Attach the steps and tighten the steps to the inside Siderail also tighten the round-hole connections to the outside Siderail but leave the slot connections loose for later adjustment.

Assemble A-Frame



ES3938 Ladder Platform PARTS LIST			
ITEM	QTY	PART NUMBER	DESCRIPTION
1	2	ES-3901 wall base	45.5 x 4 x 14 ga
2	2	ES-3902 wall cross	32 x 6 x 14 ga
3	2	ES-3921 knee brace	37.25 x 3 x 12 ga
4	4	ES-3001 Plat mount Post	8 x 3 x 14 ga
5	1	ES-3501A Plat skin	56.5 x 30 x 16 ga
6	3	ES-3003A Plat post	47 x 4 x 12 ga
7	1	ES-3002A Plat post short	9.25 x 4 x 14 ga
8	1	ES-3505 plat end kickboard	23 x 5 x 16 ga
9	2	ES-3504 plat side kickboard	49.5 x 5 x 14 ga
10	4	F0708799 handrail clip	
11	1	ES-3507 plat end handrail	1" id x 23.5
12	1	ES-3506 plat side handrail	1" id x 50"
13	1	ES-3508 plat side int rail	50 x 2 x 12 ga
14	1	ES-3509 plat end int rail	23.5 x 2 x 12 ga
15	1	ES-3008 plat mid brace	23.5 x 3.75 x 14 ga



Assemble Platform

Attach the mid brace to the bottom of the platform skin through the pre punched holes.

Attach Platform Skin to A-frames with the four short platform mount posts.

Attach the Platform posts and the kickboard post to the corners of the platform.

Attach the kick boards, hand and intermediate rails. Attach Stair Section to platform with the hole in the platform skin and the bottom hole of the posts on the inside and outside Siderail. The shallow holes on the outside Siderail are for smaller bins (typ. 60' and under) and the deep holes are for larger bins. The top of the side rail is flush with deck to clear the kick board.

Try to keep the inside Siderail as close to the center of the adjustment slot as possible to keep the stairs from creeping forward down the bin. Continue to monitor this as you put successive sections on by watching the connections on the short post to the Siderail. Stay as close as possible to center and keep post plumb.

Tighten Stair Sections from the inside out and from the top down. Always level the bottom step before tightening the outside Siderail splice. Use the slotted connections on the outside Siderail to adjust steps for even fan pattern.

Tighten all connections

Attach Stair Sections

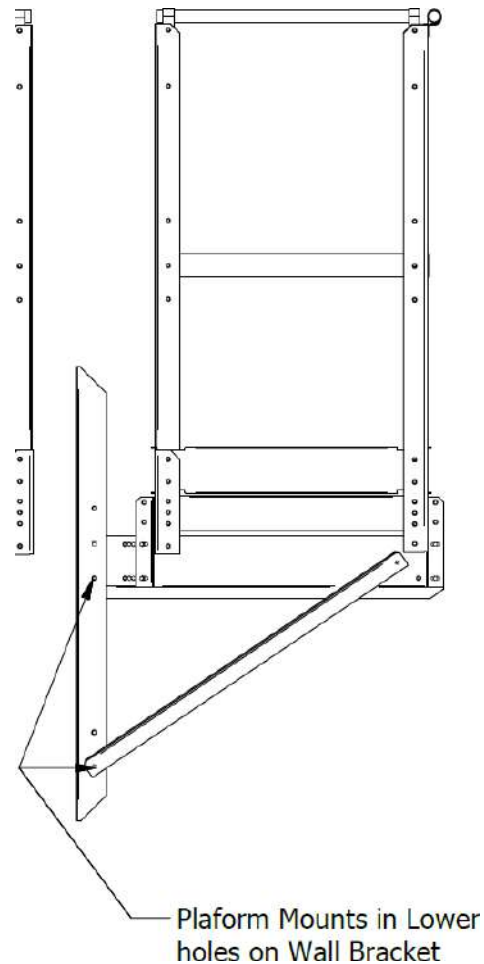
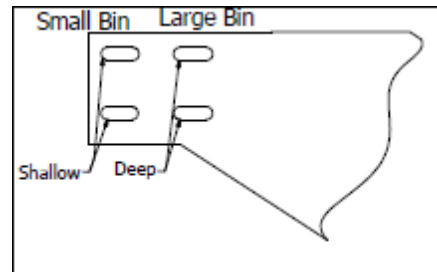
Attach the A-frame to the bottom of the Siderail using the top hole on the short post and the top hole (of the two) in the baluster post directly above the wall cross. After jacking the bin the A-frame will fit into place and be ready to attach the wall bracket to the bin wall.

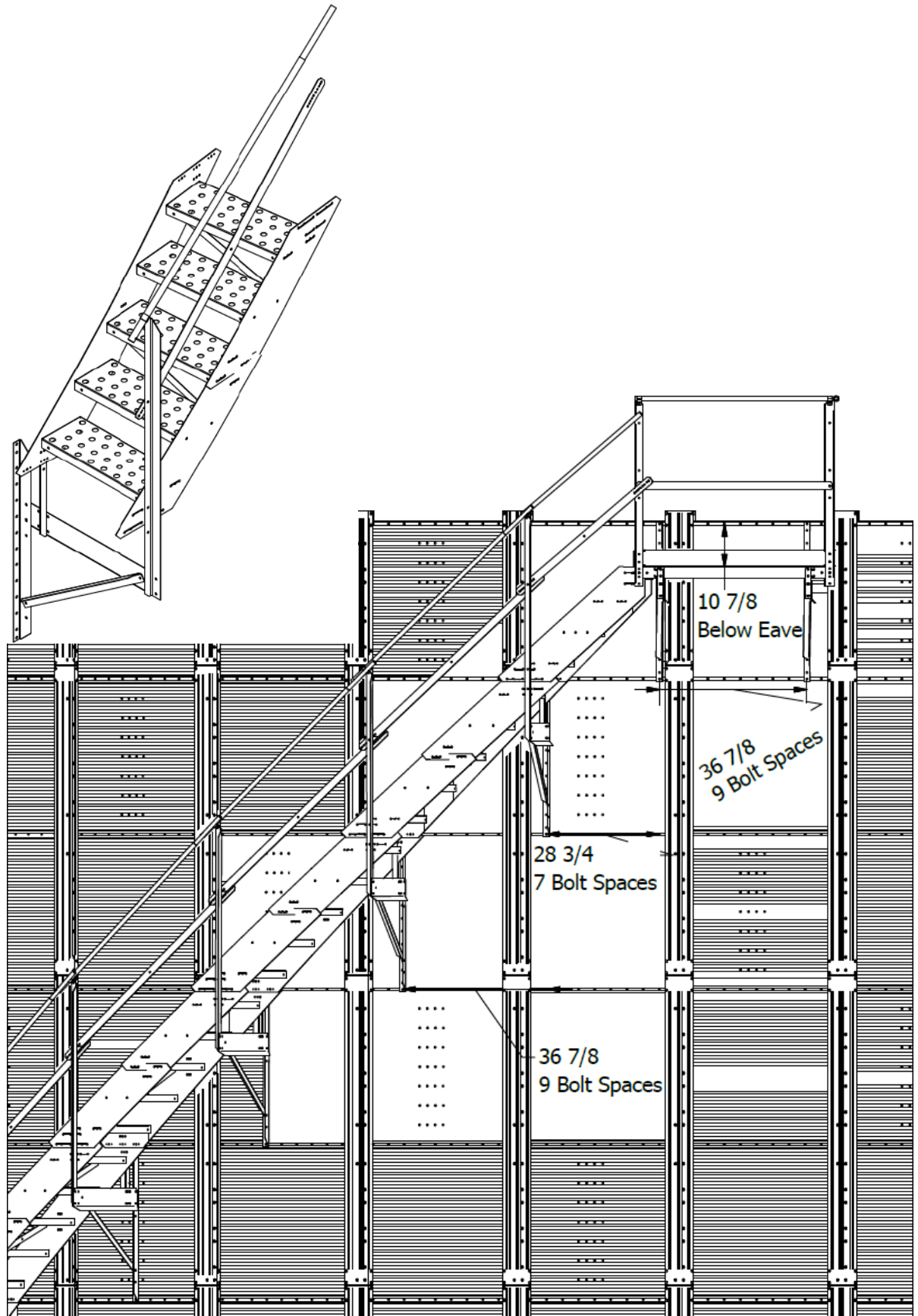
The bin wall brackets call for one bolt at the top and bottom of the bracket on the horizontal bolt seam.

See layout section for attachment bolt spacing info.

When attaching ES3900 Stair Sections, use the same procedure as the Stair Section on the platform, except level the middle step and tighten the upper splice, then level the bottom step and tighten the middle splice.

ES-3900 wall brackets are spaced 9 bolt spaces, or approx. 37" around the bin.



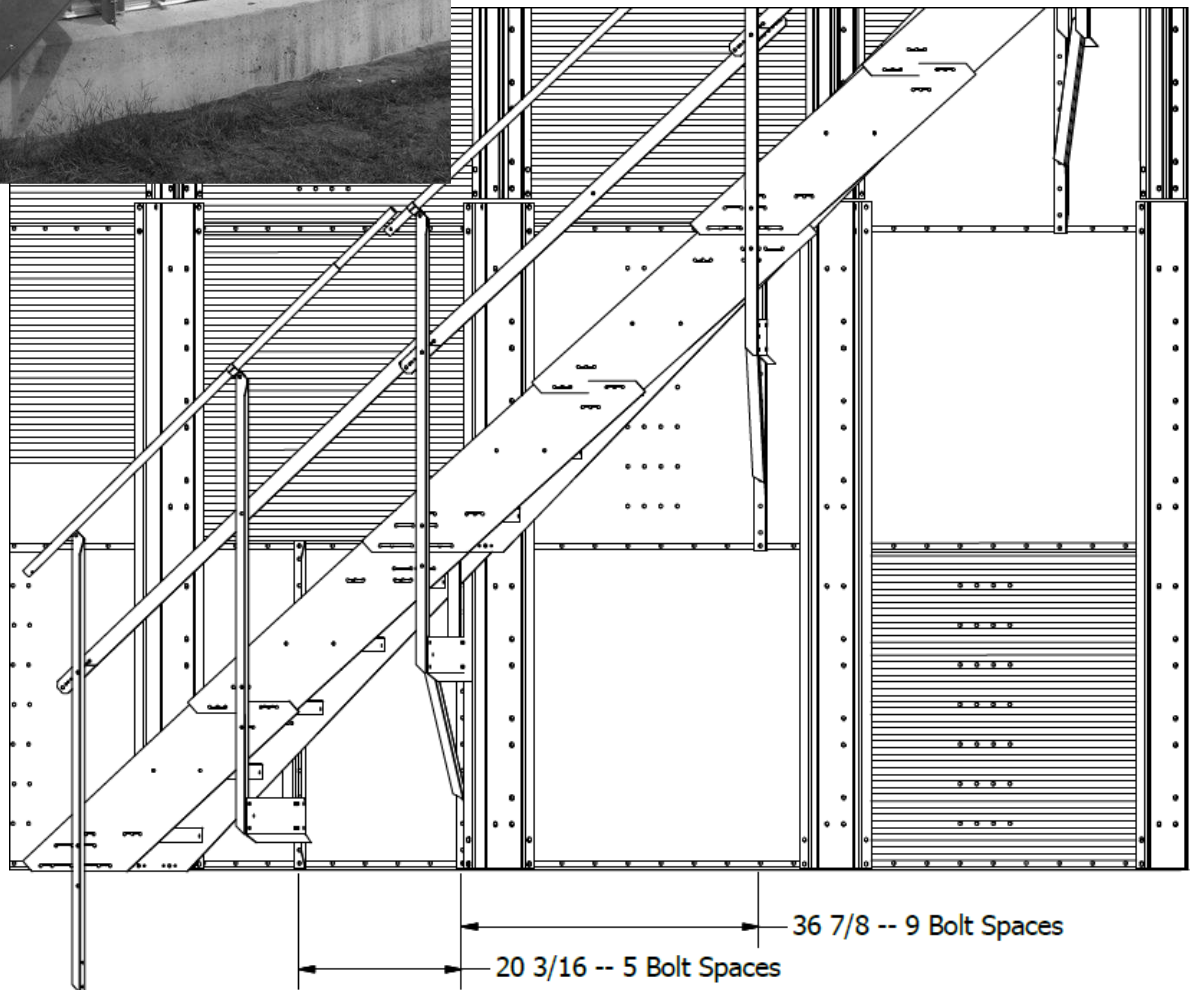


Attach Bottom Section

The bottom section uses a special configuration of the A-frame. For assembly see the A-frame drawing. It attaches in the middle of the Stair Section and it is five bolt spaces, or $20 \frac{3}{16}$ " from the last wall mount.



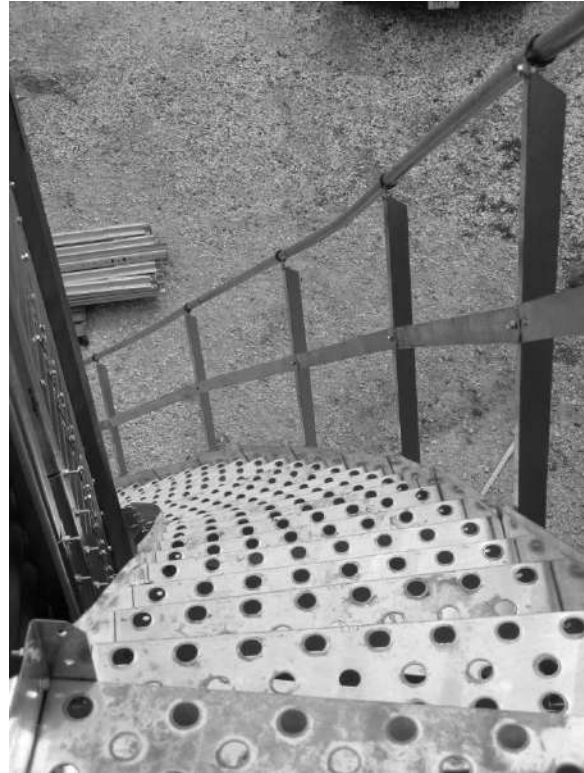
There is an extra baluster post included with the platform that attaches to the bottom of the bottom section. This allows the handrail to end at the bottom of the stairs.

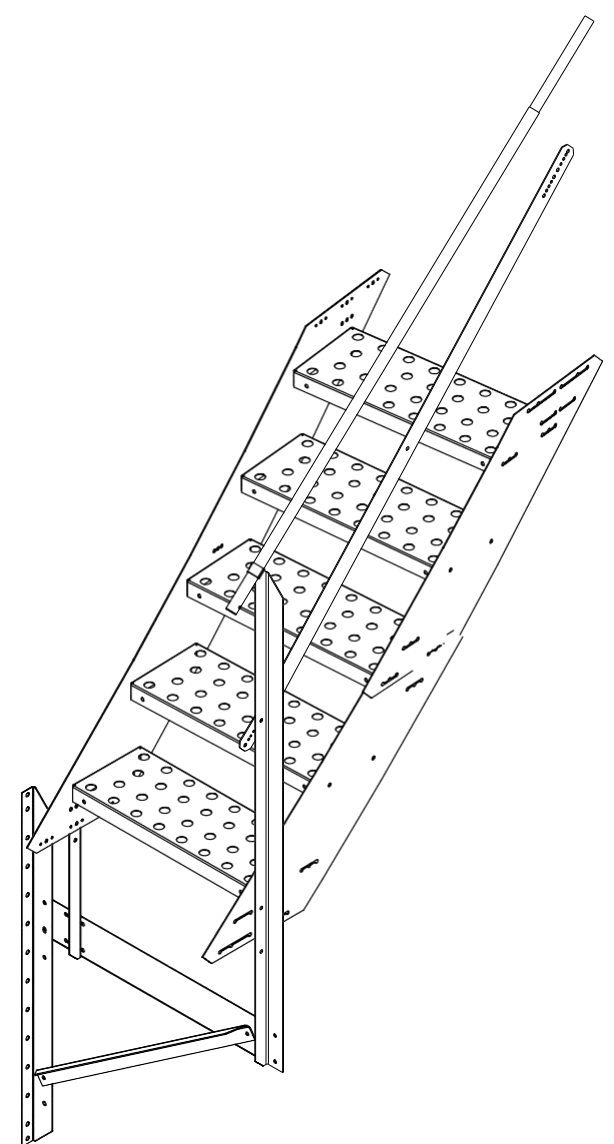
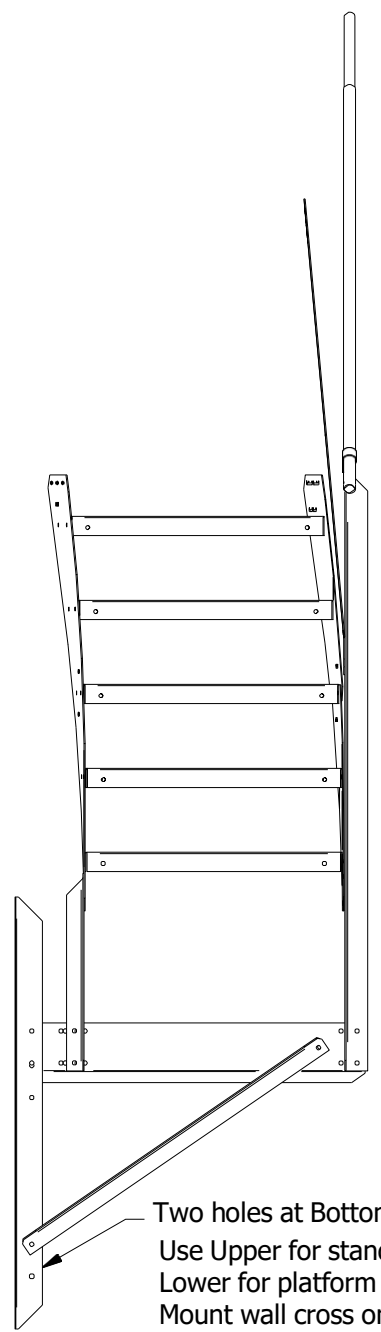
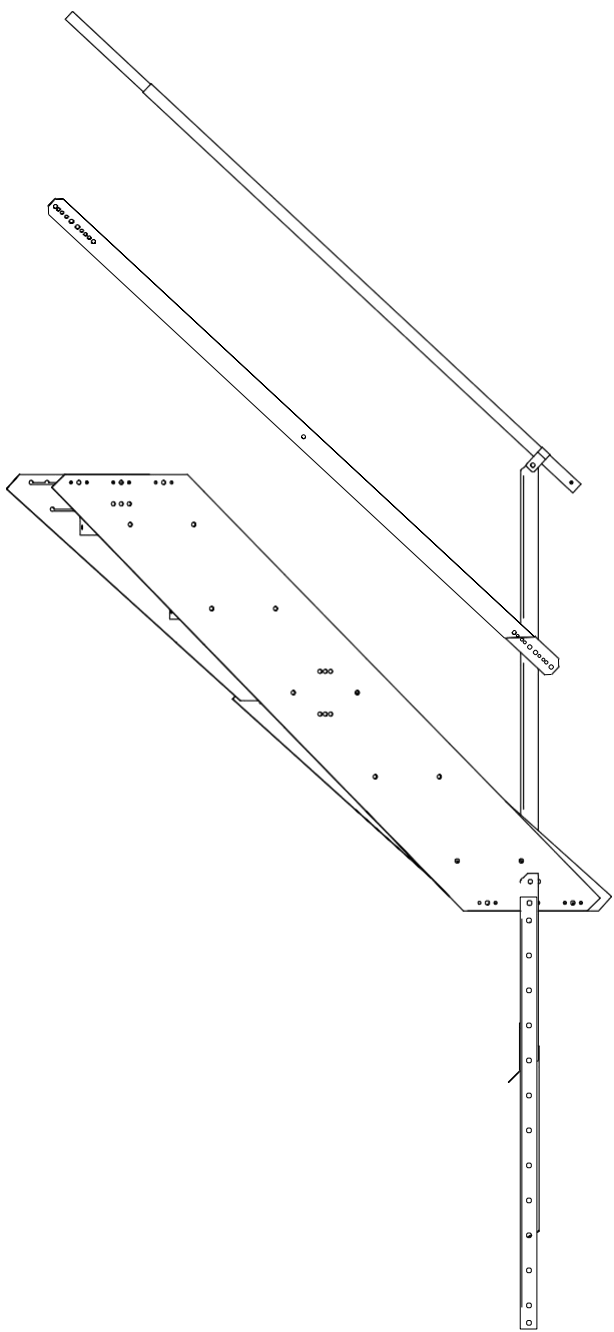


Attach Handrail

Shape the round handrail according to the circumference of the bin and attach them to the baluster posts using the coated “p-strap” with the swaged end facing up in the direction of the stair run. The p-strap should be oriented outward. Insert the bolt through both holes on the p-strap, push the bolt through the hole in the baluster post, and fasten the nut to the outside so that the bolt head is on the inside of the stairs. Make sure the p-strap is fastened tightly together and the post is not between the two tabs.

Intermediate rails bolt on the posts through the slots and are to be centered between each baluster post.





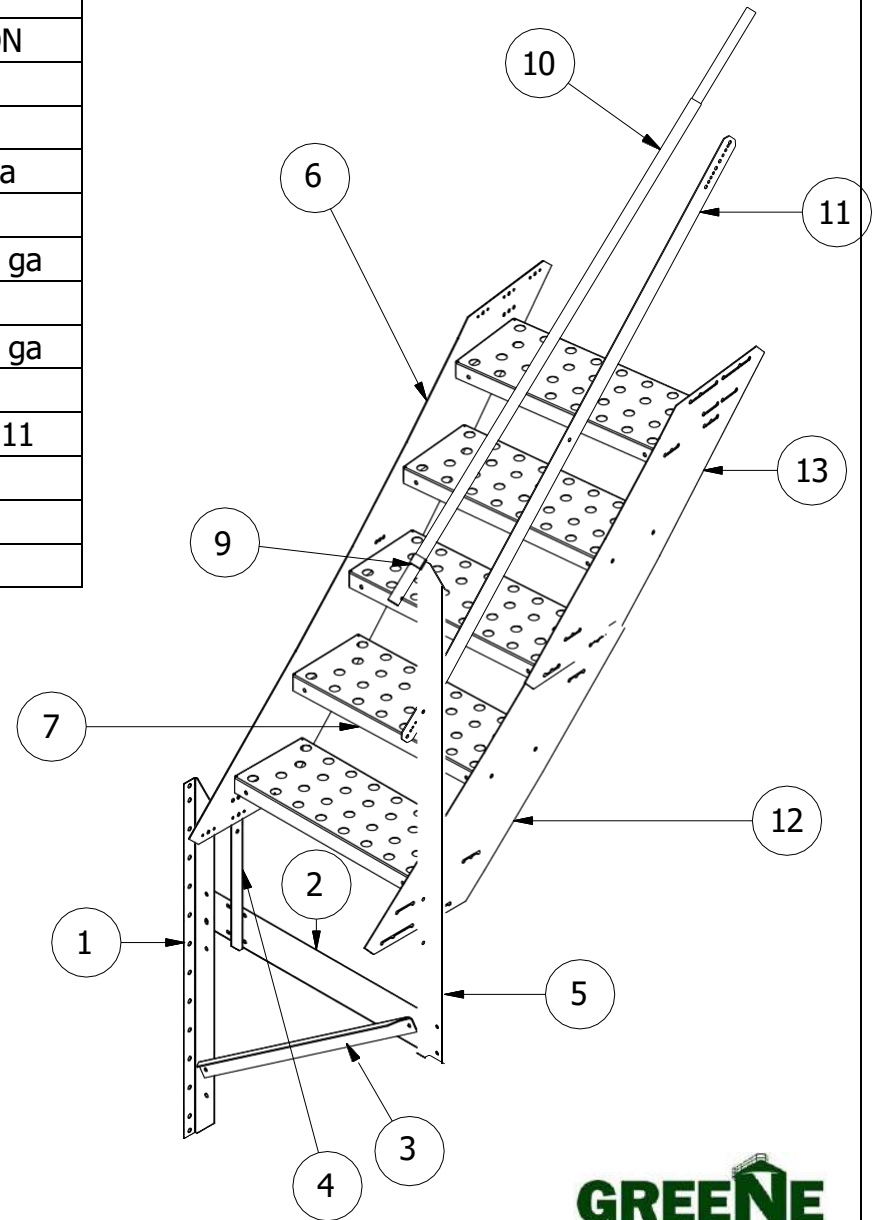
Two holes at Bottom of wall bracket.
 Use Upper for standard stair section knee brace
 Lower for platform knee brace
 Mount wall cross on these holes for bottom stair section

GREENE
 GALVANIZED STAIRS
 www.greenebstairs.com
 East Lynn IL 60932
 217-375-4244 / 217-375-4245 FAX

DRAWN Mike Adams		4/10/2012
TITLE ES3900 Stairs		
SIZE A	DWG NO ES3900 Stairs	
DO NOT SCALE		rev SHEET 1 OF 11

ES3900 Stair Section PARTS LIST

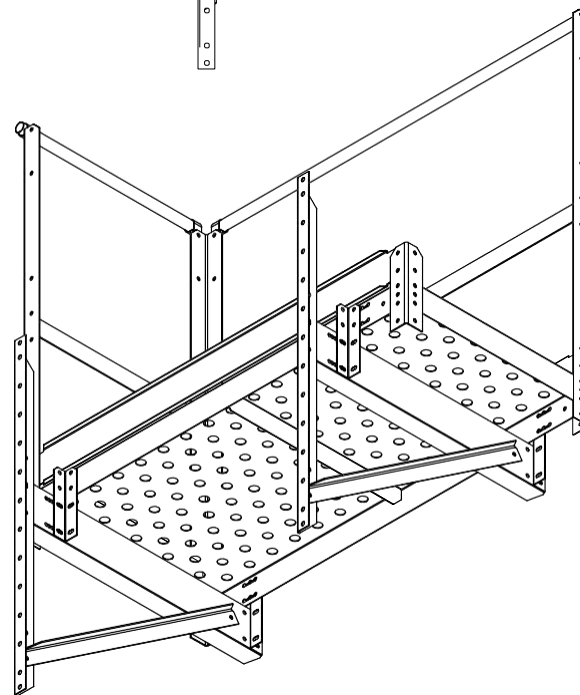
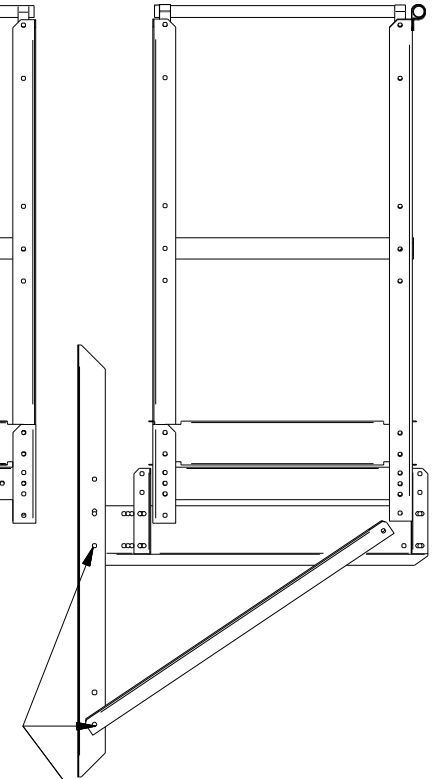
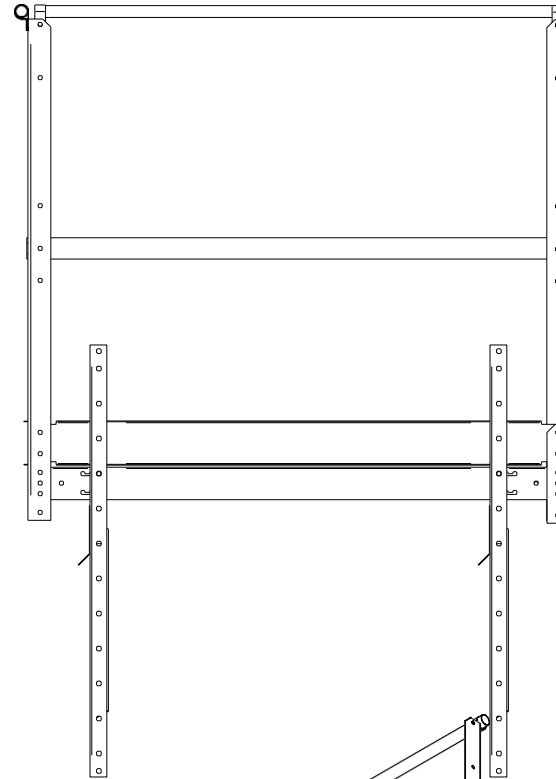
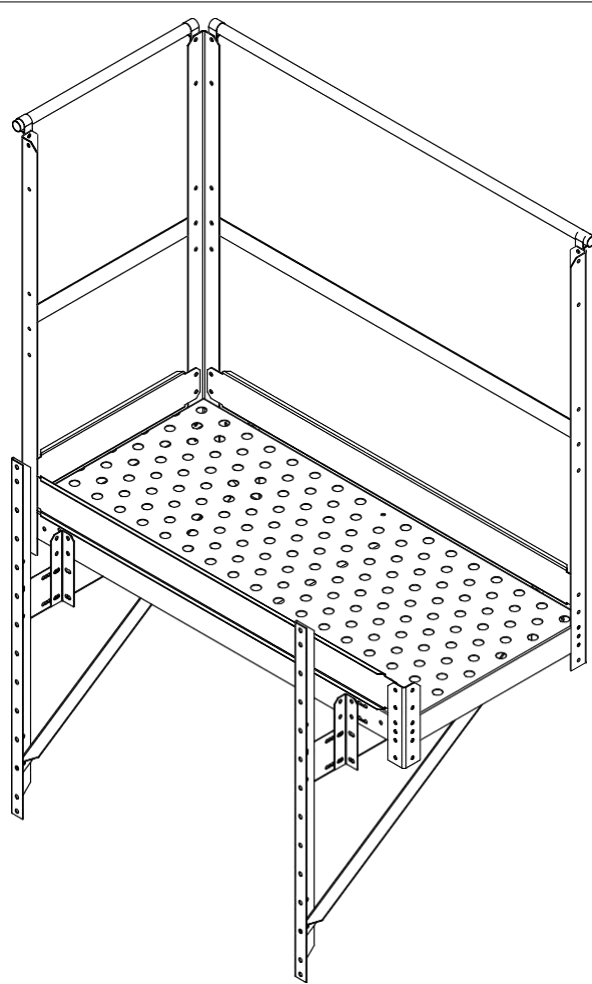
ITEM	QTY	PART NUMBER	DESCRIPTION
1	1	ES-3901 wall base	45.5 x 4 x 14 ga
2	1	ES-3902 wall cross	32 x 6 x 14 ga
3	1	ES-3921 knee brace	37.25 x 3 x 12 ga
4	1	ES-0012 Short Post	18.5 x 3 x 12 ga
5	1	ES-0011 Post	57.25 x 3.5 x 12 ga
6	1	ES-3900 39 inside siderail	67 x 10 x 14 ga
7	5	ES-0006 Stair step	27.5 x 11.5 x 16 ga
9	1	F0708799 handrail clip	Coated P-strap
10	1	ES-3906 39 Handrail	68 x 1 id swage 11
11	1	ES-3905 44 inter handrail	66 x 2 x 12 ga
12	1	ES3904 39 Outside Lower	
13	1	ES3903 39 Outside Upper	



GREENE
GALVANIZED STAIRS

www.greenebinstairs.com
East Lynn IL 60932
217-375-4244 / 217-375-4245 FAX

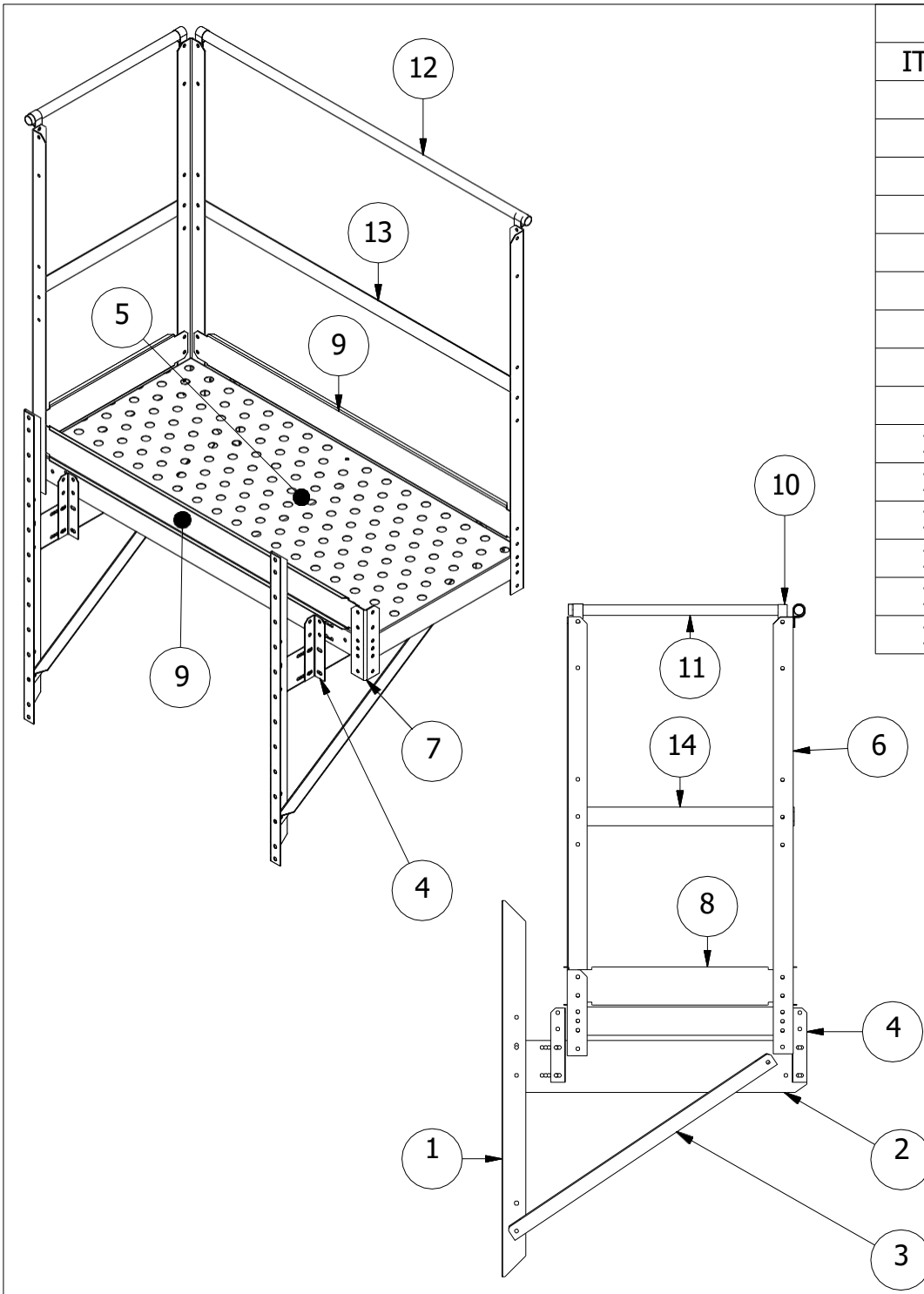
DRAWN Mike Adams		4/10/2012
TITLE ES3900 Stairs		
SIZE A	DWG NO ES3900 Stairs	
DO NOT SCALE	REV	SHEET 2 OF 11



Platform Mounts in Lower holes on Wall Bracket

GREENE
GALVANIZED STAIRS
 www.greenebinstairs.com
 East Lynn IL 60932
 217-375-4244 / 217-375-4245 FAX

DRAWN Mike Adams		4/10/2012
TITLE ES3900 Stairs		
SIZE A	DWG NO ES3900 Stairs	
DO NOT SCALE [rev]		SHEET 3 OF 11



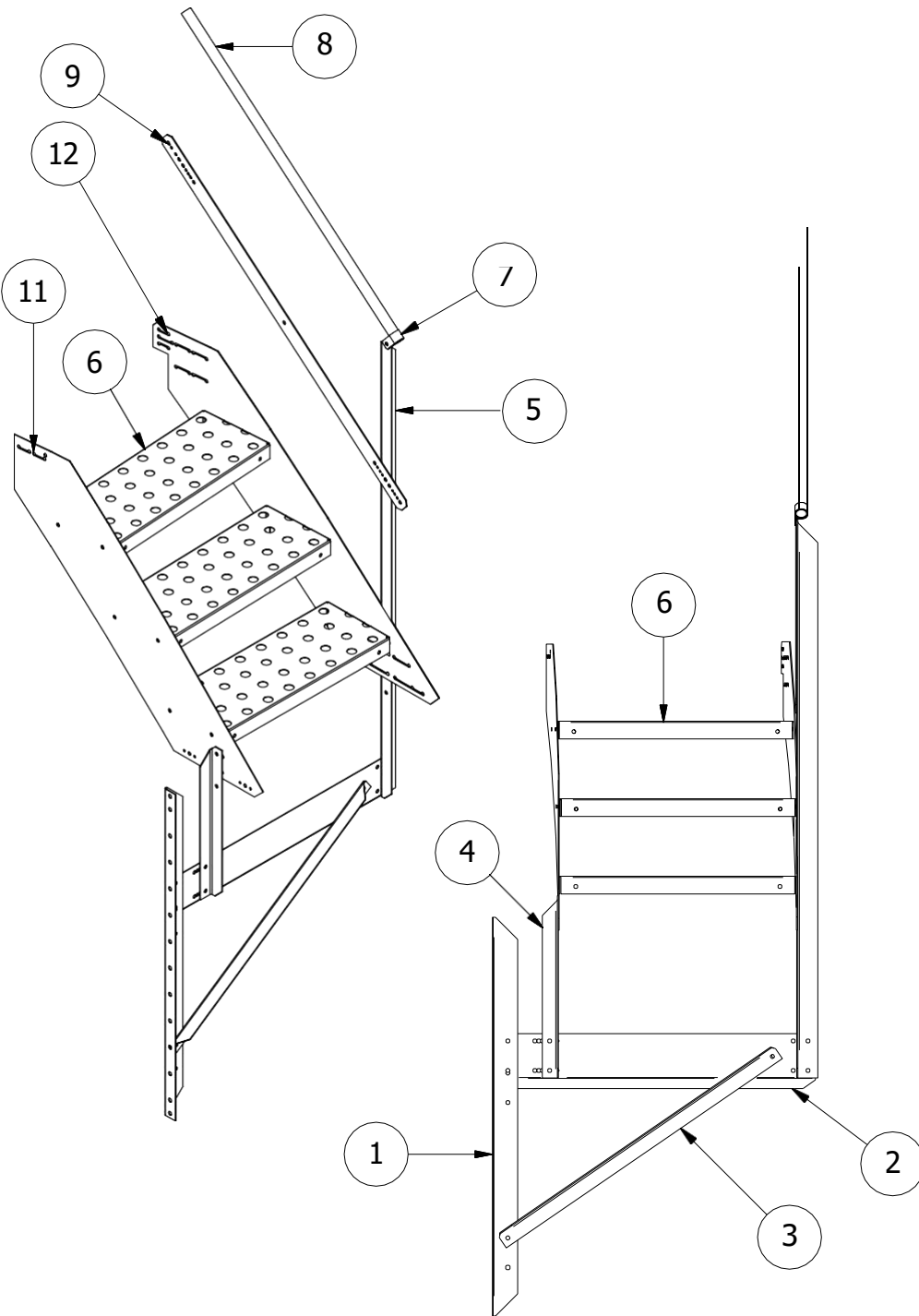
ES3938 Ladder Platform PARTS LIST

ITEM	QTY	PART NUMBER	DESCRIPTION
1	2	ES-3901 wall base	45.5 x 4 x 14 ga
2	2	ES-3902 wall cross	32 x 6 x 14 ga
3	2	ES-3921 knee brace	37.25 x 3 x 12 ga
4	4	ES-3001 Plat mount Post	8 x 3 x 14 ga
5	1	ES-3501A Plat skin	56.5 x 30 x 16 ga
6	3	ES-3003A Plat post	47 x 4 x 12 ga
7	1	ES-3002A Plat post short	9.25 x 4 x 14 ga
8	1	ES-3505 plat end kickboard	23 x 5 x 16 ga
9	2	ES-3504 plat side kickboard	49.5 x 5 x 14 ga
10	4	F0708799 handrail clip	
11	1	ES-3507 plat end handrail	1" id x 23.5
12	1	ES-3506 plat side handrail	1" id x 50"
13	1	ES-3508 plat side int rail	50 x 2 x 12 ga
14	1	ES-3509 plat end int rail	23.5 x 2 x 12 ga
15	1	ES-3008	plat mid brace

GREENE
 GALVANIZED STAIRS
 www.greenebinstairs.com
 East Lynn IL 60932

217-375-4244 / 217-375-4245 FAX

DRAWN	Mike Adams	DWG NO	4/10/2012
TITLE	ES3900 Stairs		
SIZE	A	DWG NO	ES3900 Stairs
DO NOT SCALE	REV	SHEET 4 OF 11	

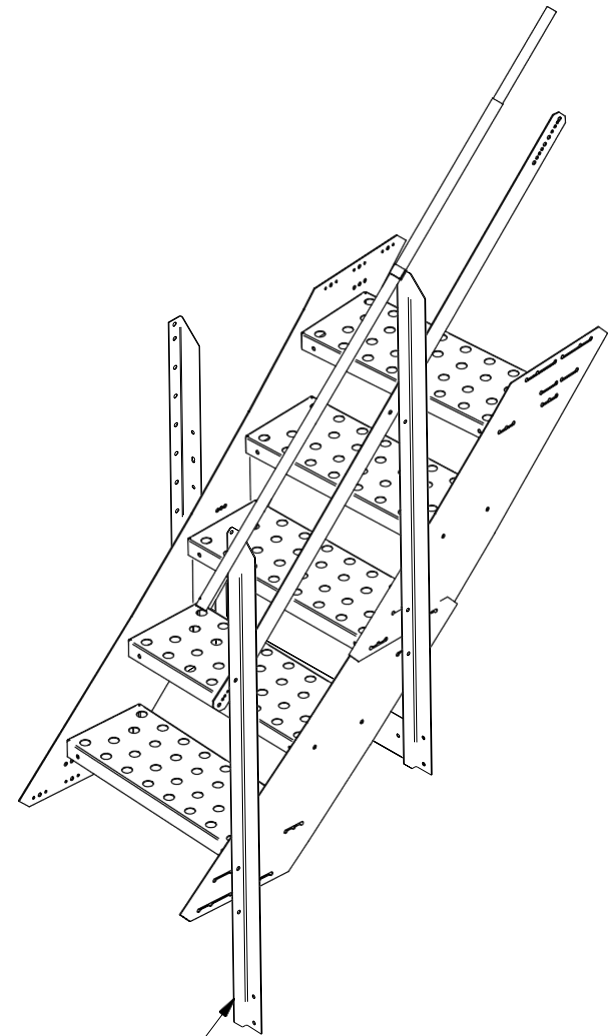
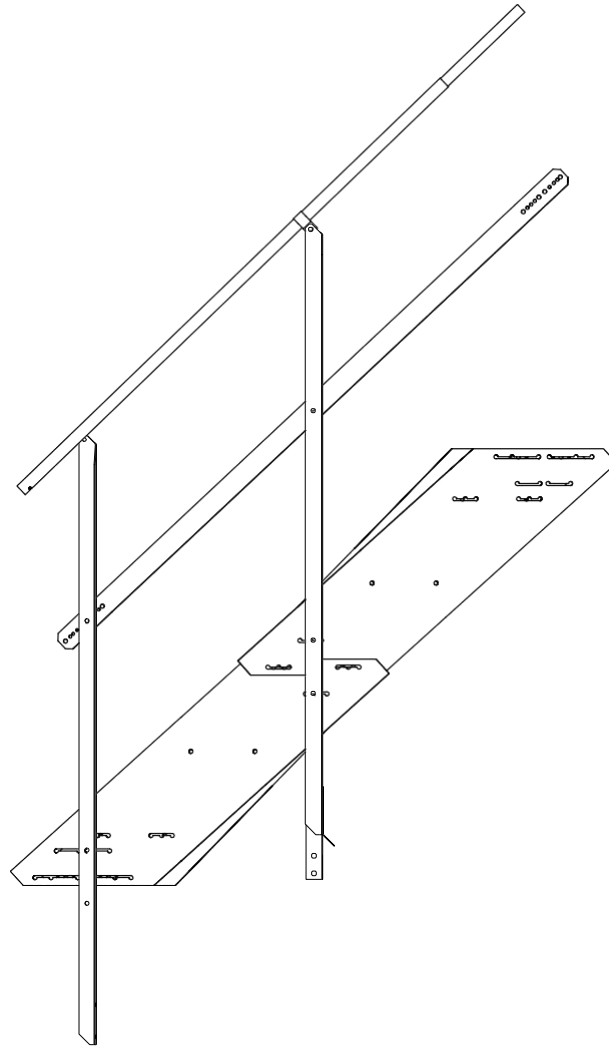
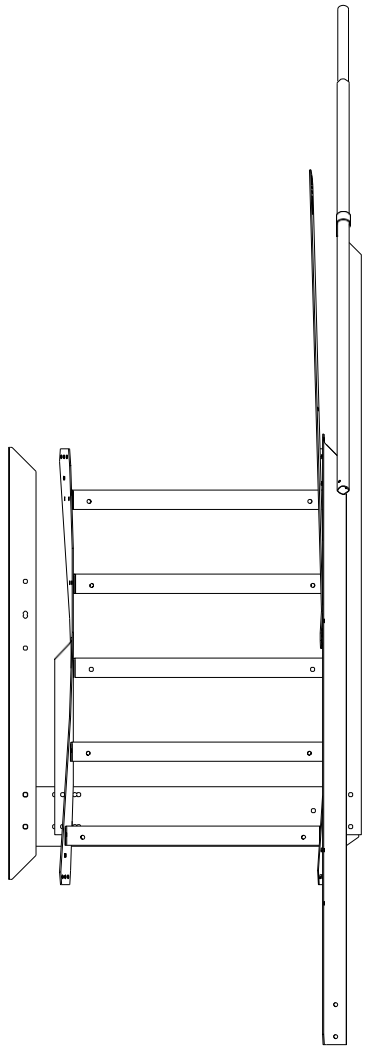


ES2400 PARTS LIST

ITEM	QTY	PART NUMBER	DESCRIPTION
1	1	ES-3901 wall base	45.5 x 4 x 14 ga
2	1	ES-3902 wall cross	32 x 6 x 14 ga
3	1	ES-3921 knee brace	37.25 x 3 x 12 ga
4	1	ES-0012 Short Post	18.5 x 3 x 12 ga
5	1	ES-0011 Post	57.25 x 3.5 x 12 ga
6	3	ES-0006 Stair step	27.5 x 11.5 x 16 ga
7	1	F0708799 handrail clip	
8	1	ES-2406 24 handrail	
9	1	ES-2408 24 inter handrail	66 x 2 x 12 ga
11	1	ES3924 Inside Siderail	
12	1	ES 3924 Outside Siderail	

GREENE
GALVANIZED STAIRS
 www.greenebstairs.com
 East Lynn IL 60932
 217-375-4244 / 217-375-4245 FAX

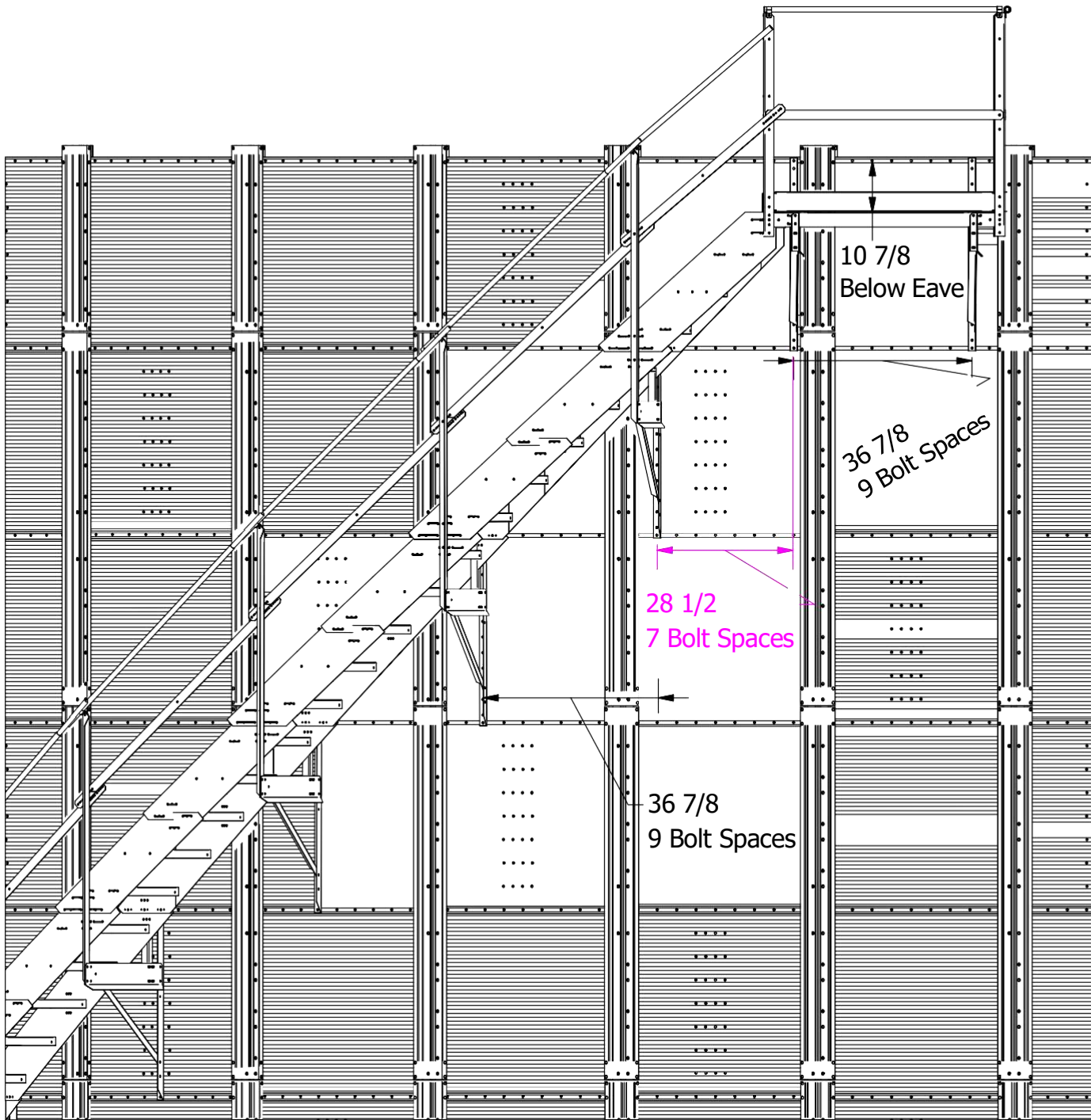
DRAWN: Mike Adams		4/10/2012
TITLE: ES3900 Stairs		
SIZE: A	DWG NO: ES3900 Stairs	
DO NOT SCALE	REV	SHEET 5 OF 11



Bottom Post is packaged with Platform.

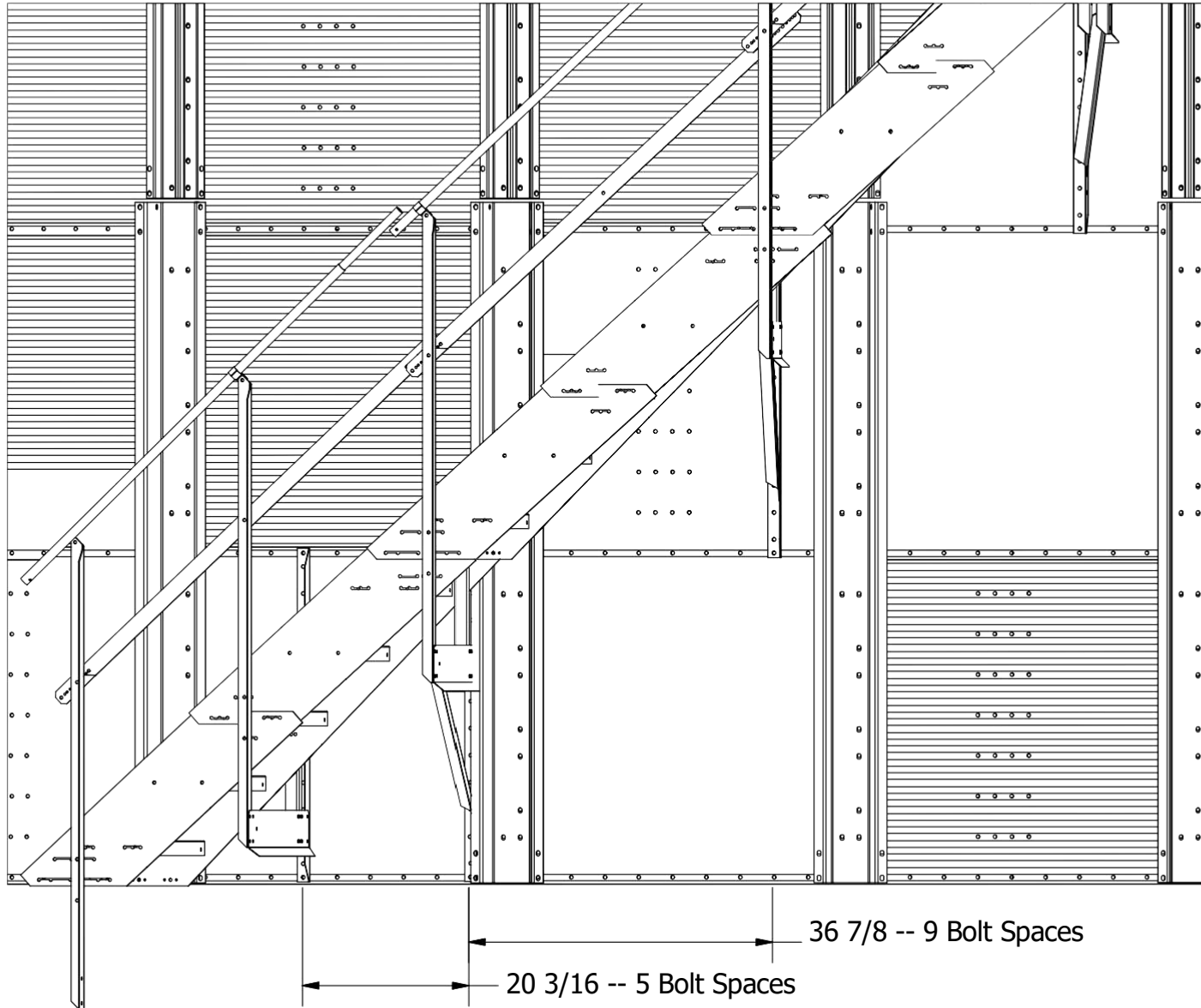
GREENE
 GALVANIZED STAIRS
 www.greenebinstairs.com
 East Lynn IL 60932
 217-375-4244 / 217-375-4245 FAX

DRAWN Mike Adams		4/10/2012
TITLE ES3900 Stairs		
SIZE A	DWG NO ES3900 Stairs	
DO NOT SCALE	REV	SHEET 6 OF 11



GREENE
GALVANIZED STAIRS
 www.greenebinstairs.com
 East Lynn IL 60932
 217-375-4244 / 217-375-4245 FAX

DRAWN Mike Adams		4/10/2012
TITLE ES3900 Stairs		
SIZE A	DWG NO ES3900 Stairs	
DO NOT SCALE [rev]		SHEET 7 OF 11

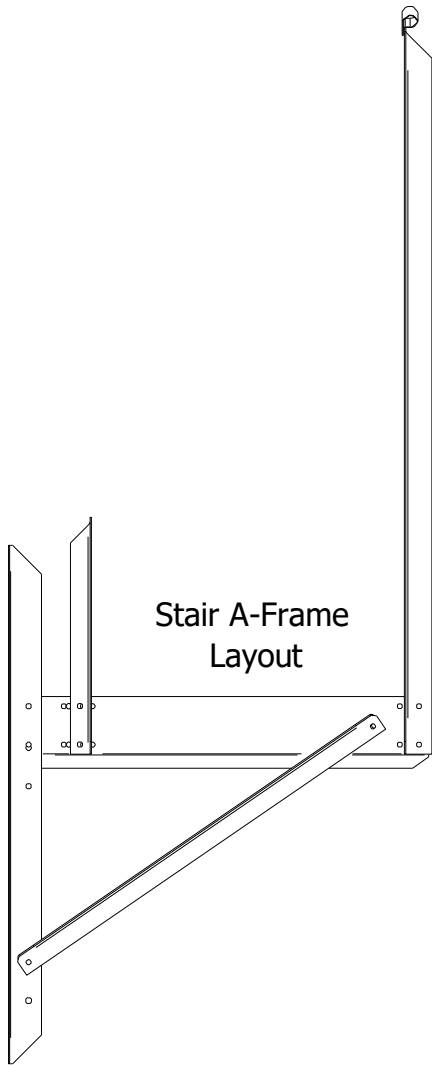


36 7/8 -- 9 Bolt Spaces

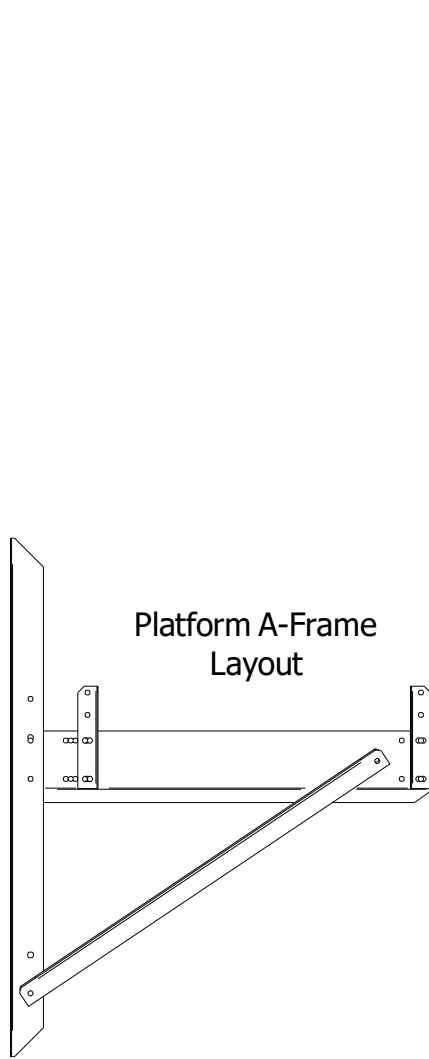
20 3/16 -- 5 Bolt Spaces

GREENE
GALVANIZED STAIRS
 www.greenebinstairs.com
 East Lynn IL 60932
 217-375-4244 / 217-375-4245 FAX

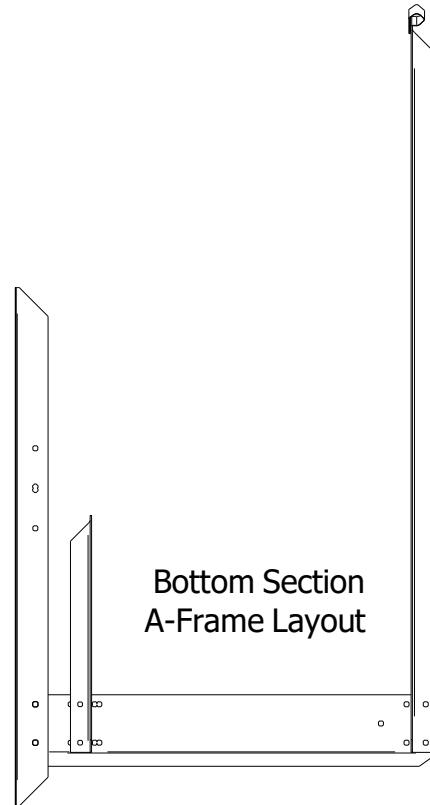
DRAWN Mike Adams		4/10/2012
TITLE ES3900 Stairs		
SIZE A	DWG NO ES3900 Stairs	
DO NOT SCALE		SHEET 8 OF 11



Stair A-Frame
Layout



Platform A-Frame
Layout

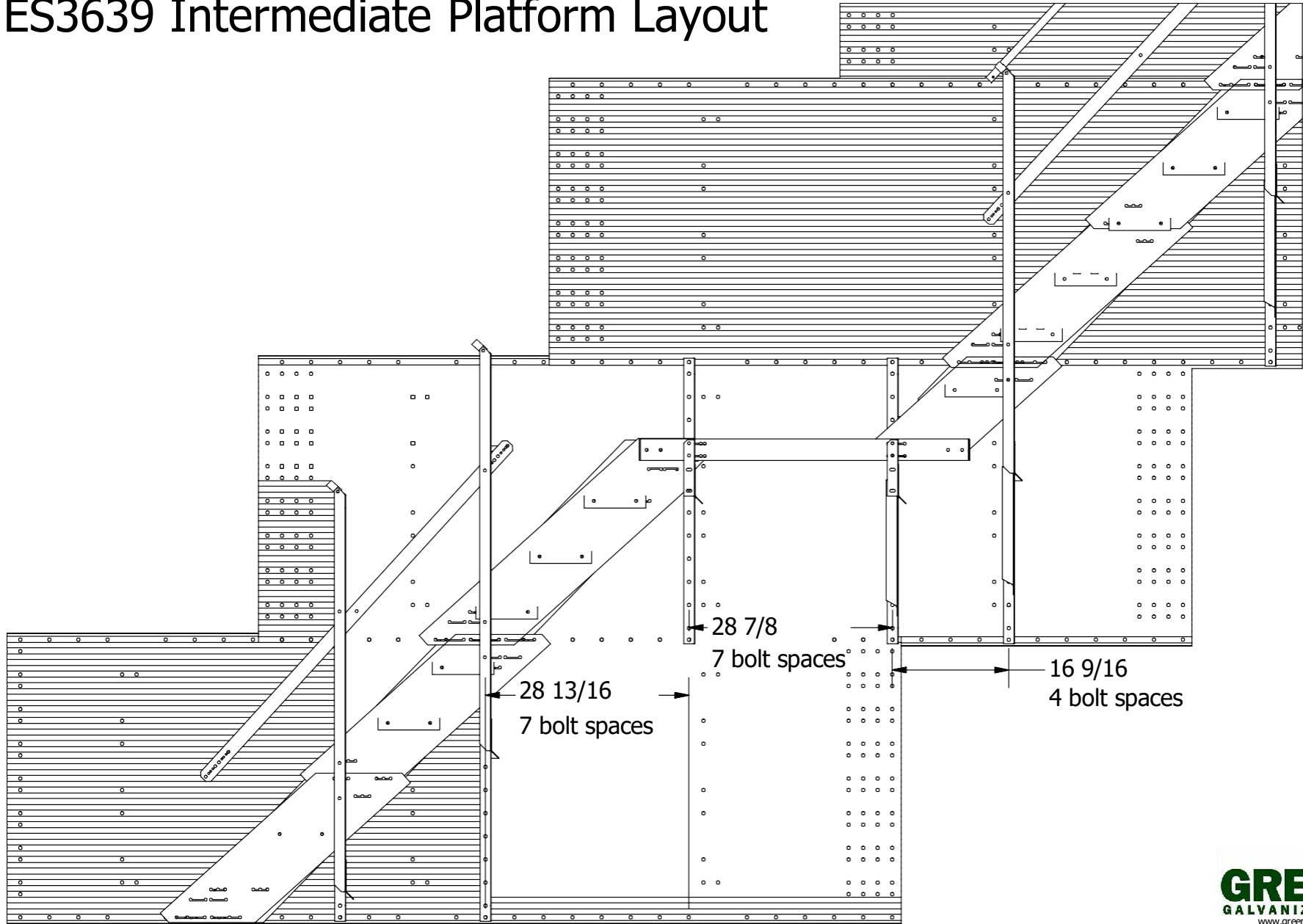


Bottom Section
A-Frame Layout

GREENE
GALVANIZED STAIRS
www.greenebinstairs.com
East Lynn IL 60932
217-375-4244 / 217-375-4245 FAX

DRAWN Mike Adams		4/10/2012
TITLE ES3900 Stairs		
SIZE A	DWG NO ES3900 Stairs	
DO NOT SCALE	REV	SHEET 9 OF 11

ES3639 Intermediate Platform Layout



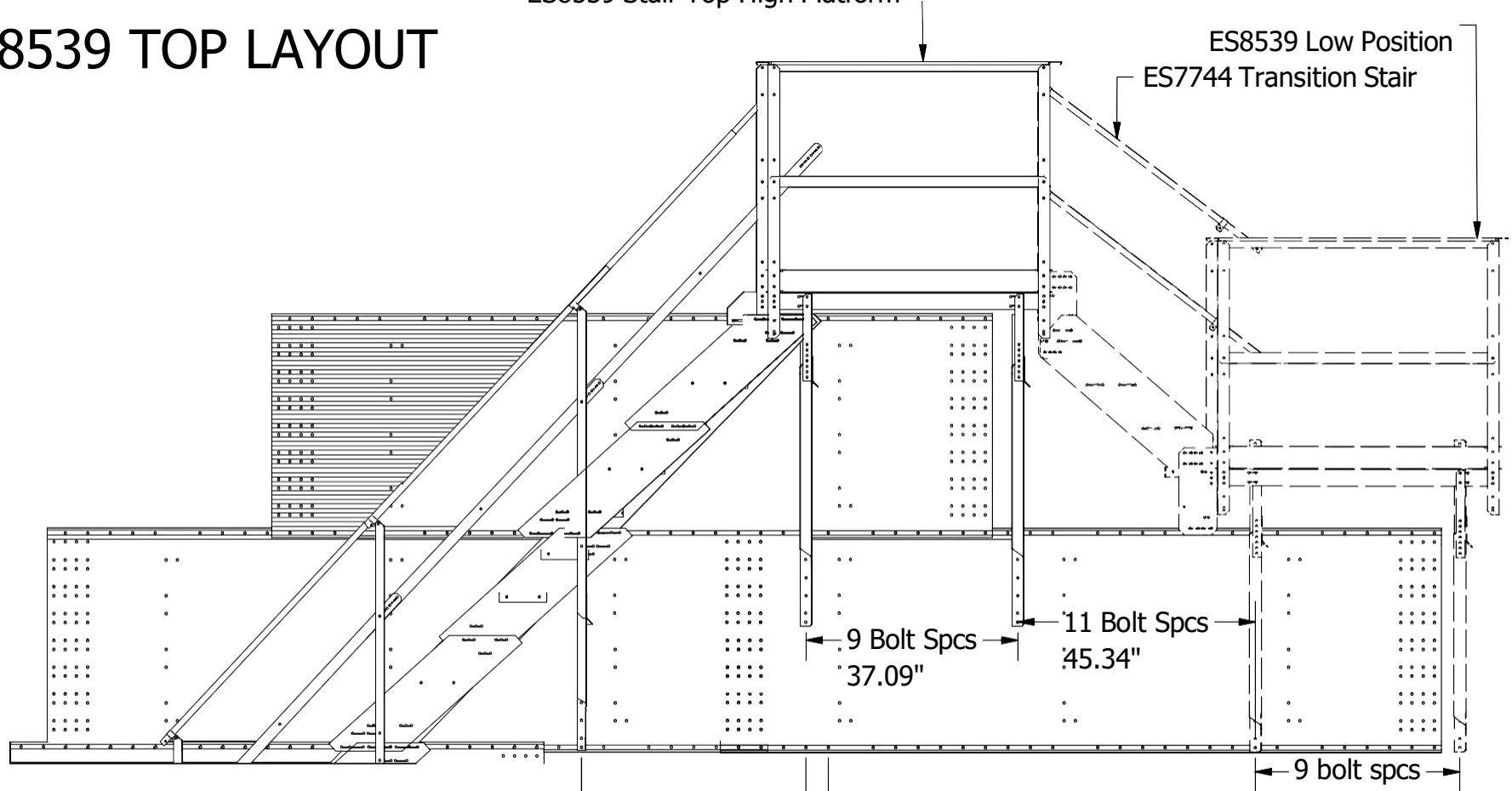
GREENE
GALVANIZED STAIRS
www.greenebstairs.com
East Lynn IL 60932
217-375-4244 / 217-375-4245 FAX

DRAWN Mike Adams		4/10/2012
TITLE ES3900 Stairs		
SIZE A	DWG NO ES3900 Stairs	
DO NOT SCALE/rev		SHEET 10 OF 11

ES8539 TOP LAYOUT

ES8539 Stair Top High Platform

ES8539 Low Position
ES7744 Transition Stair



Lower Platform and Stairs Optional

GREENE
GALVANIZED STAIRS
www.greenebinsstairs.com
East Lynn IL 60932
217-375-4244 / 217-375-4245 FAX

DRAWN Mike Adams		4/10/2012
TITLE ES3900 Stairs		
SIZE A	DWG NO ES3900 Stairs	
DO NOT SCALE		rev SHEET 11 OF 11

