

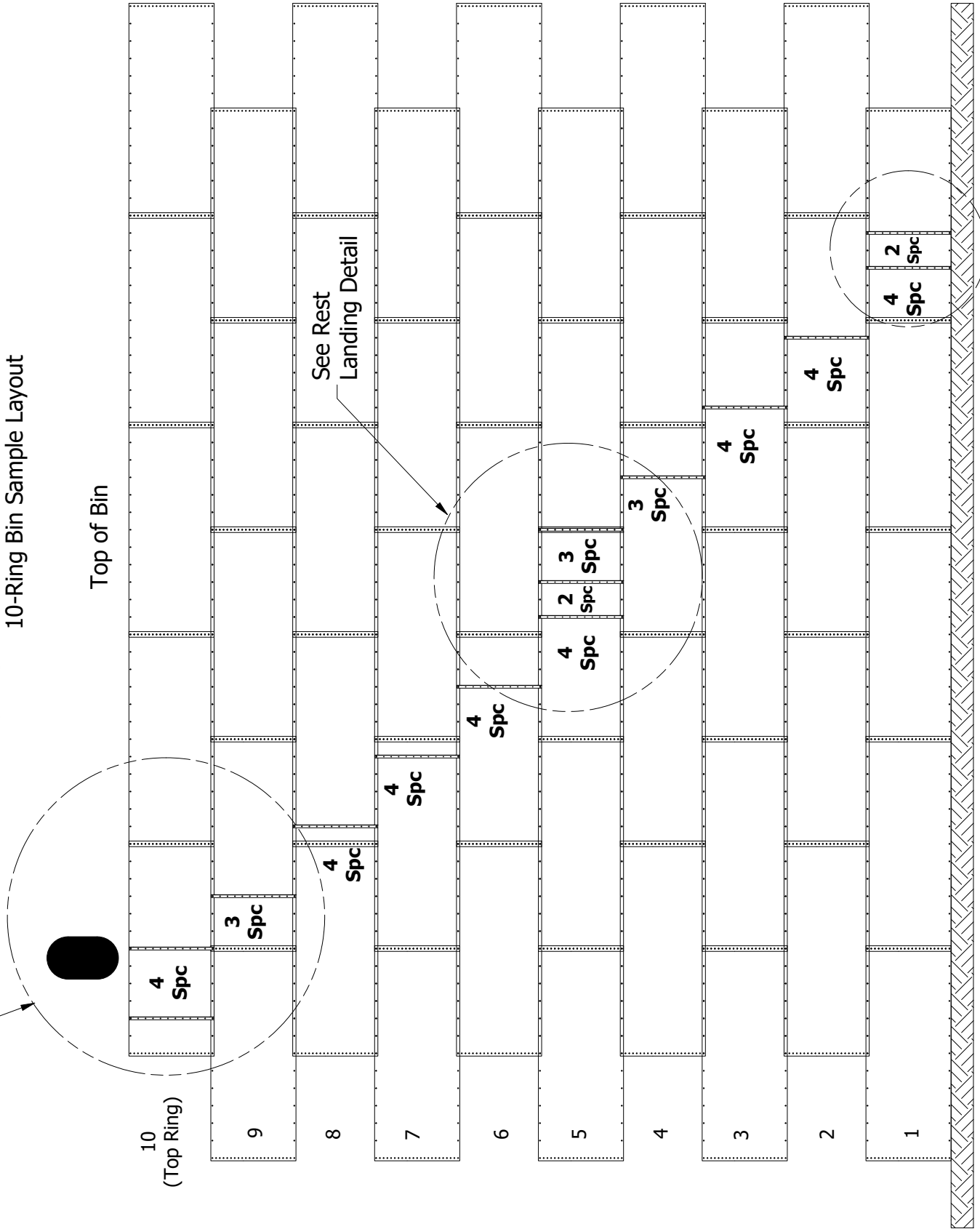
# Easy Step Sidewall stairs with ES3544 platform



# Table of Contents

i. Layout Page	1
ii. Assembly	
1. ES3544	1
2. ES4400	8
3. ES3644	14
iii. Bottom Section	17
iv. Handrail Section	19

See Top Platform Detail  
 Easy Step 44" Sidewall Stairs with ES3544 Platform,  
 10-Ring Bin Sample Layout



See Bottom Section Detail

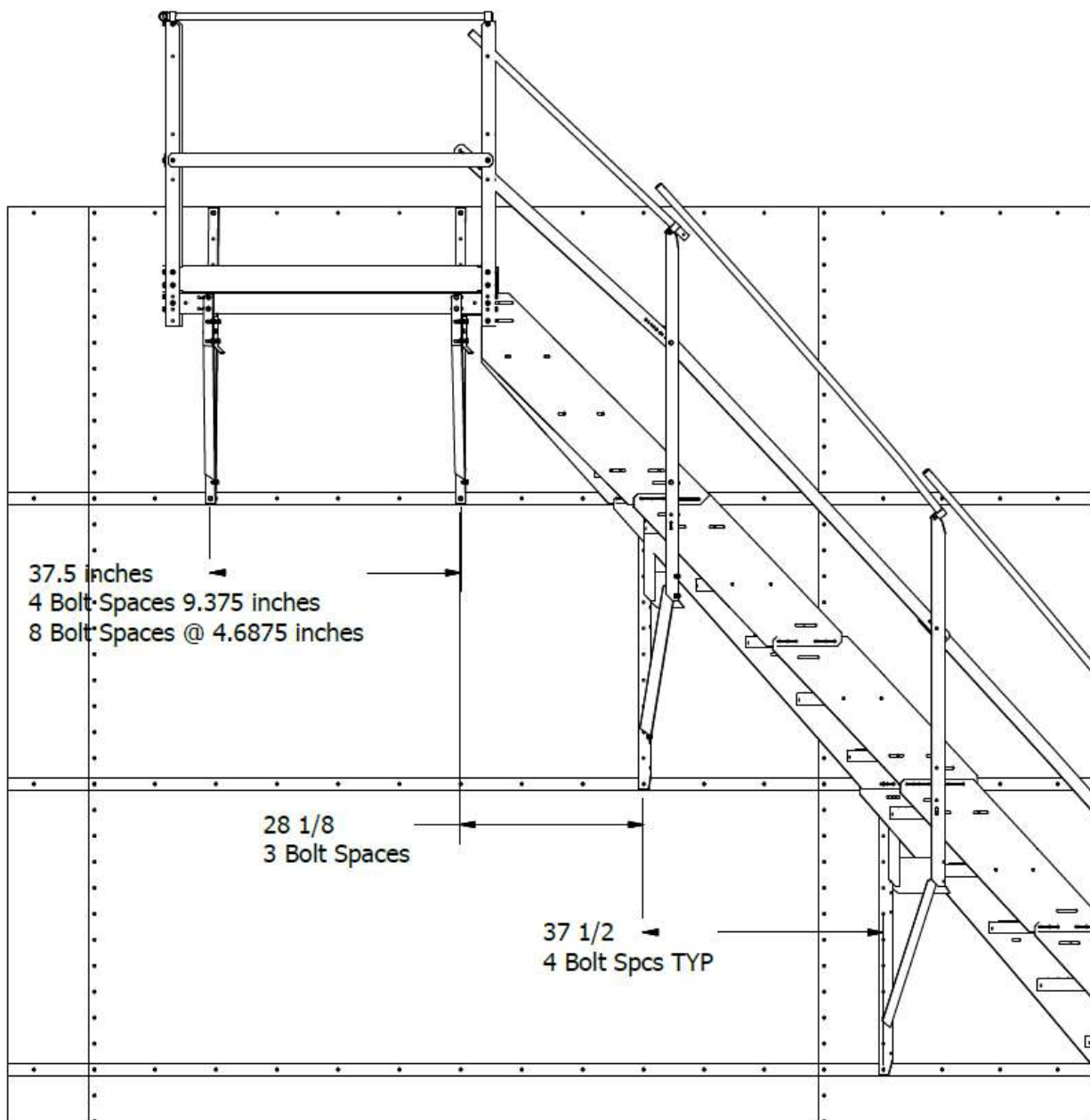
# Easy Step Instructions



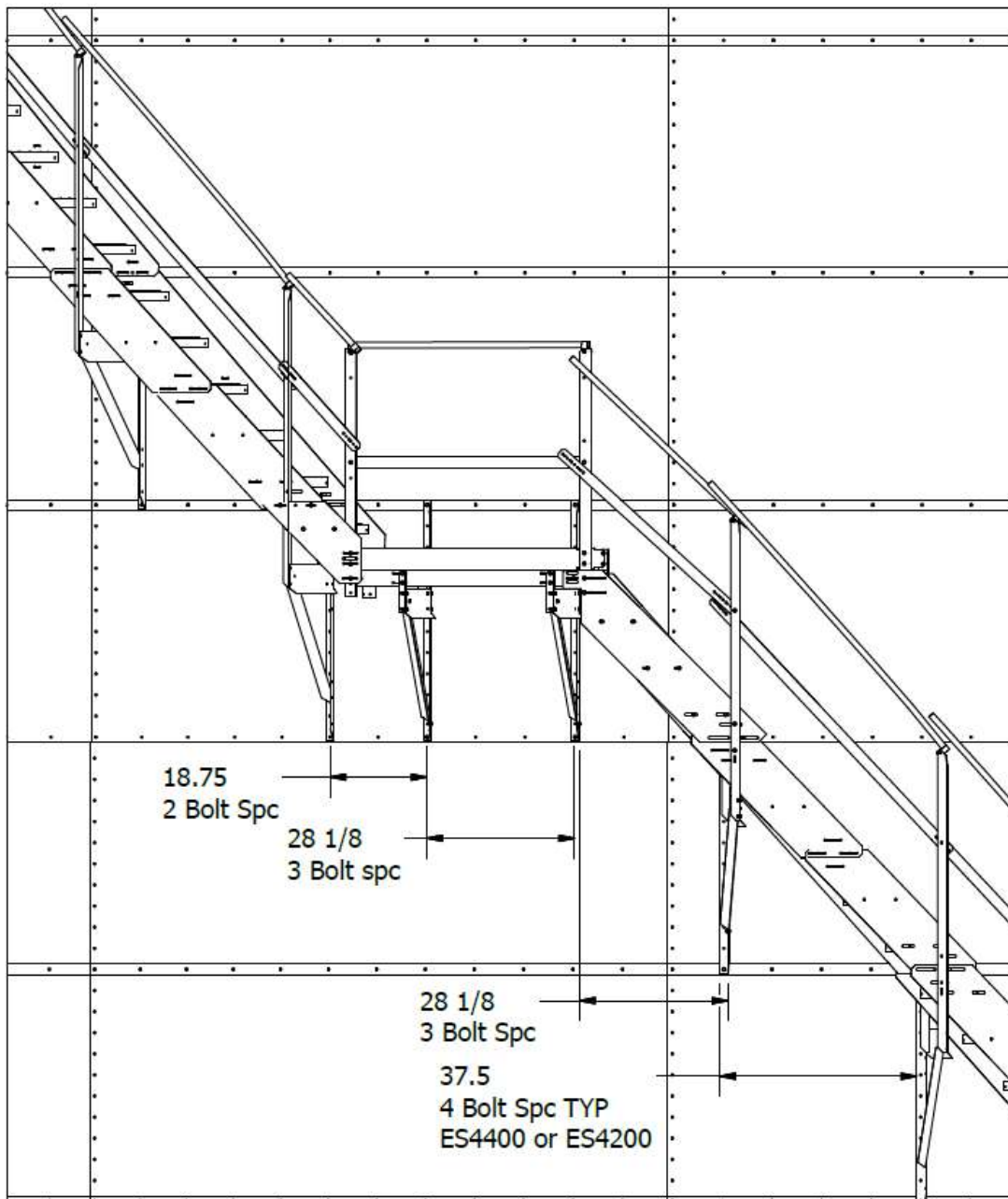
Please read this entire sheet before starting to avoid the need to disassemble and redo steps. For ES4200 Series, the bolt spacing layouts are the same though the dimensions may vary slightly.

## 1. Platform Layout

ES3544 Platform rests 12" below the eave and the A-frame brackets are 4 bolt spaces apart ( $37 \frac{1}{2}$ "). It is recommended to place two thirds of the platform under the roof ladder with the remainder under the manhole. The ES2600 Stair Section attaches to the platform and has an A-frame 3 bolt spaces ( $28 \frac{1}{8}$ ") from the platform A-frame. This Stair Section is included in the ES-3544 platform package.

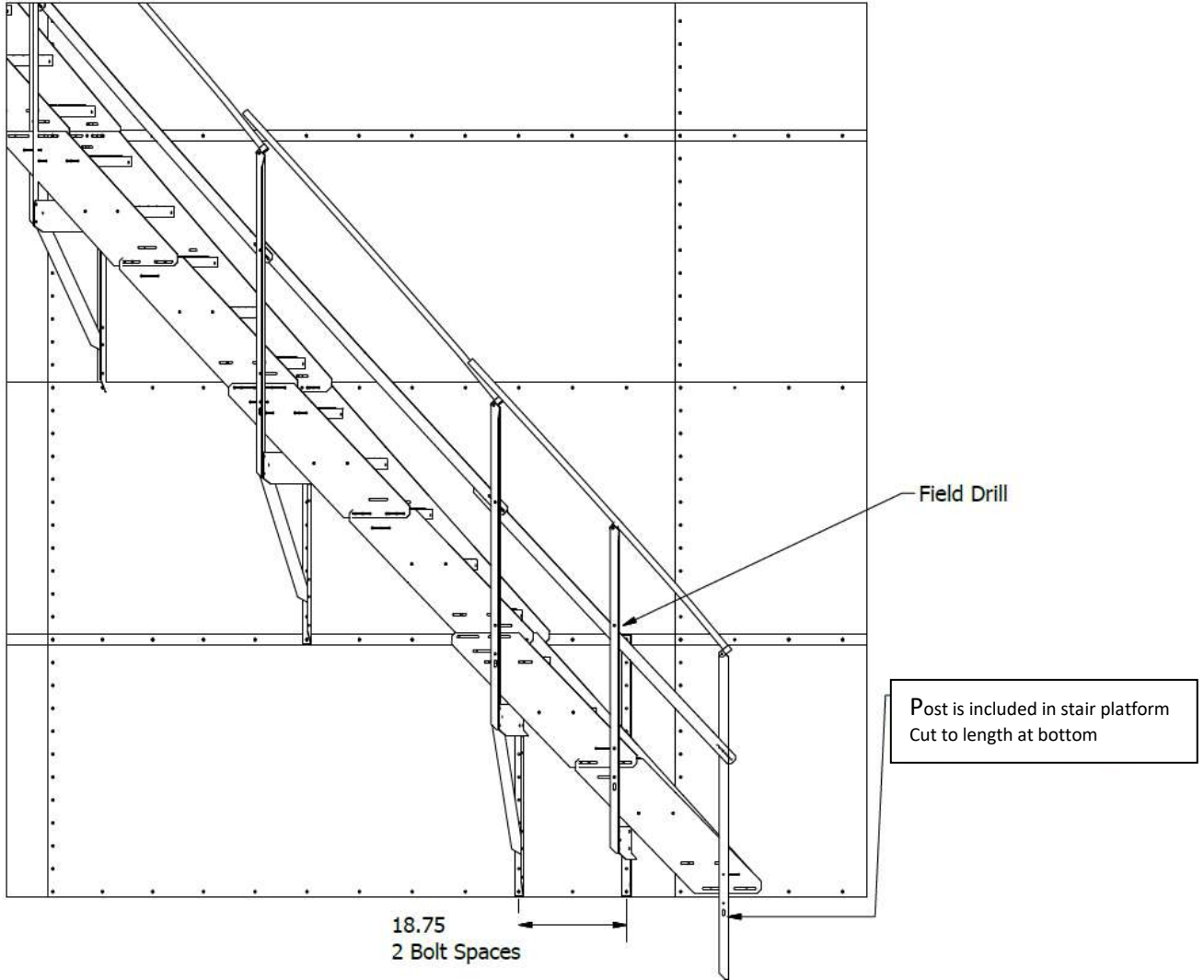


## 2. Intermediate Platform Layout

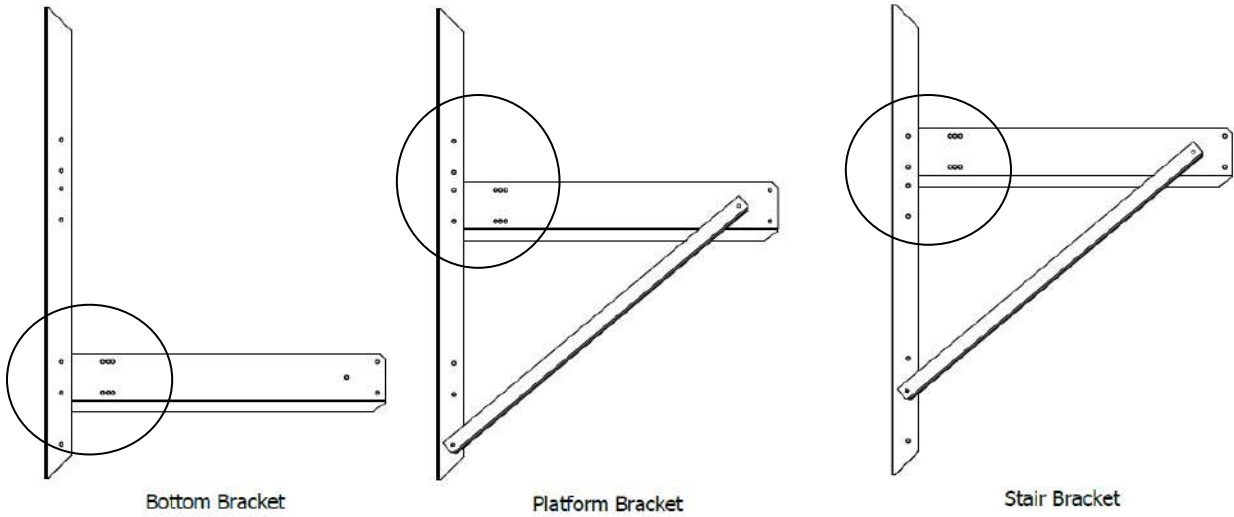


1. The platform should be laid out with the longer end toward the upward run of the stairs.
2. From the top down, the wall brackets are spaced 2, 3, 3 in terms of bolt spaces
  - **Two** from the last stair section
  - **Three** from the first intermediate platform wall bracket.
  - **Three** from the last intermediate platform wall bracket to the next stair wall bracket.
3. Platform A-frame wall brackets should be assembled like the platform layout shows in the instruction manual

### 3. Bottom Section Layout



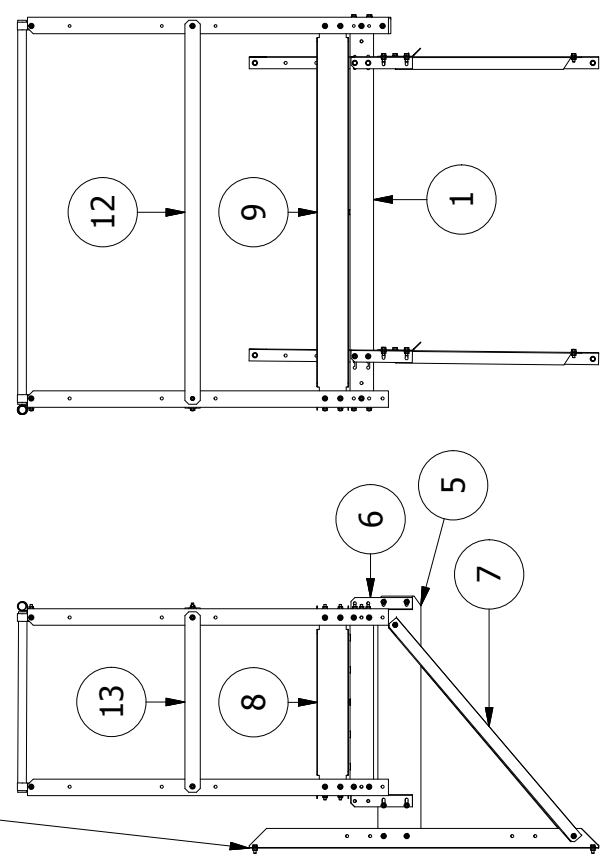
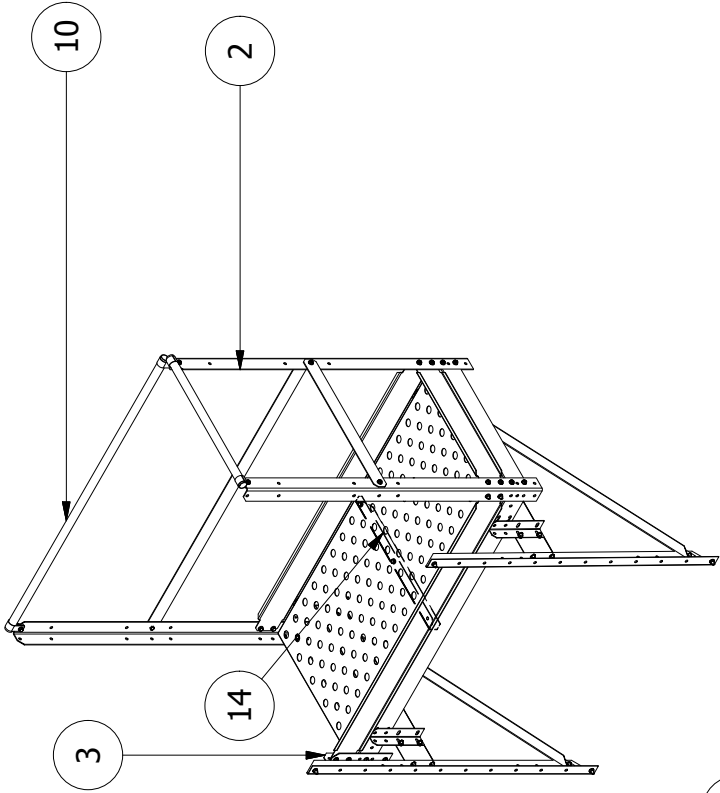
### Assemble A-Frames



A-Frame Layout Drawing

PARTS LIST

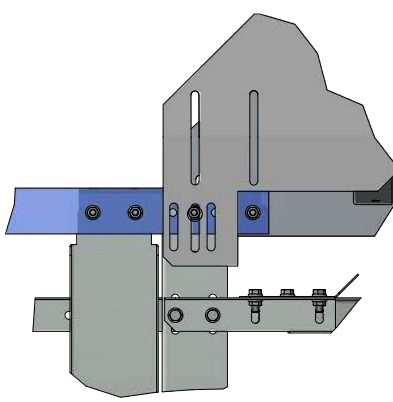
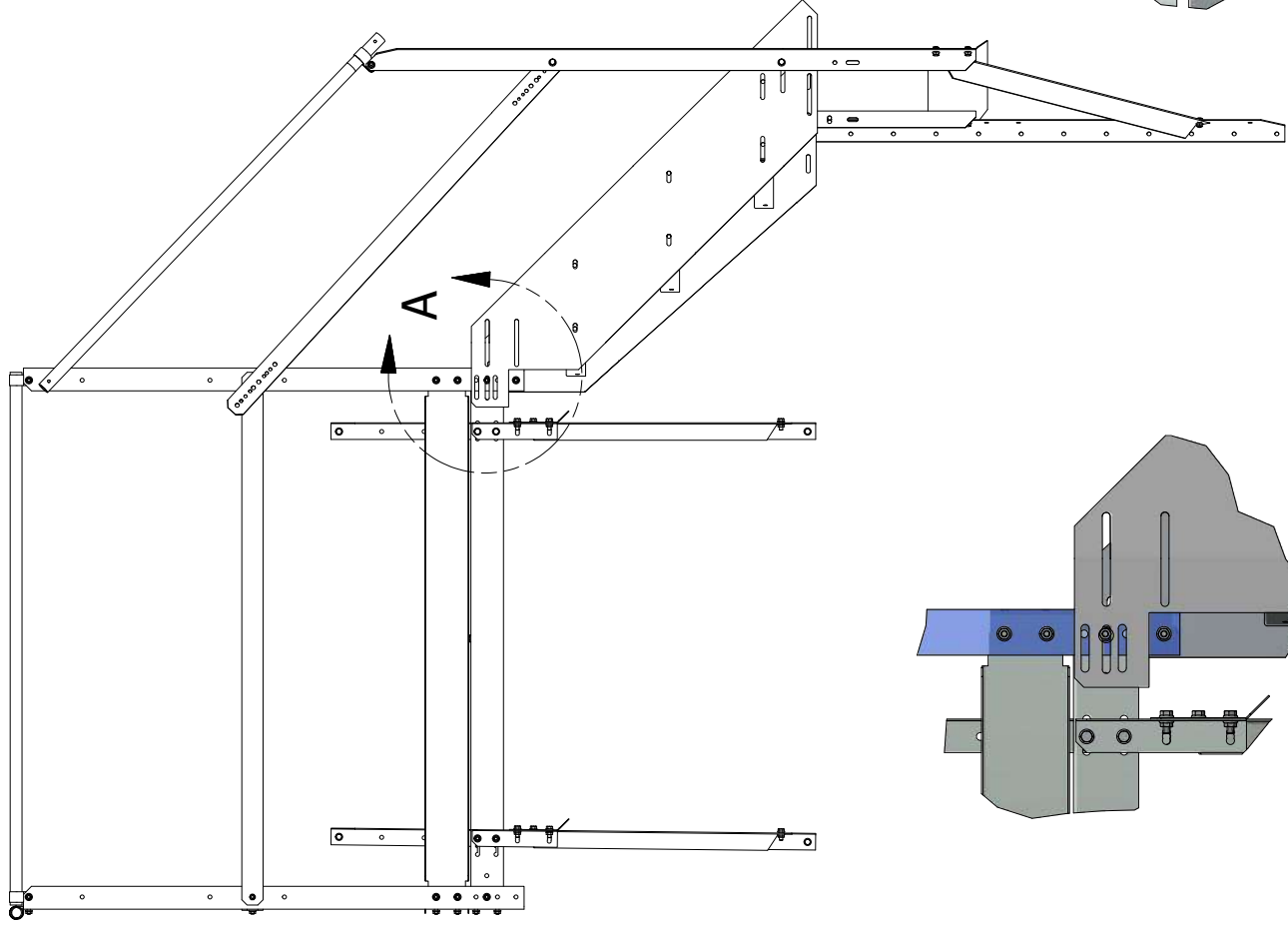
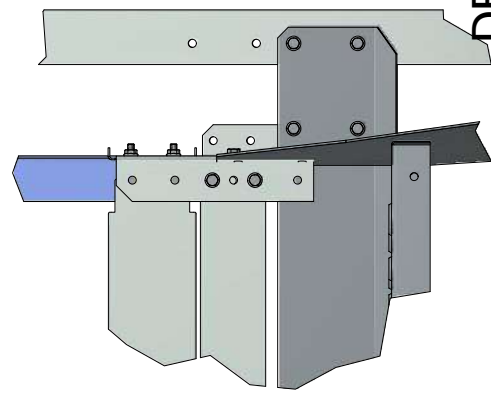
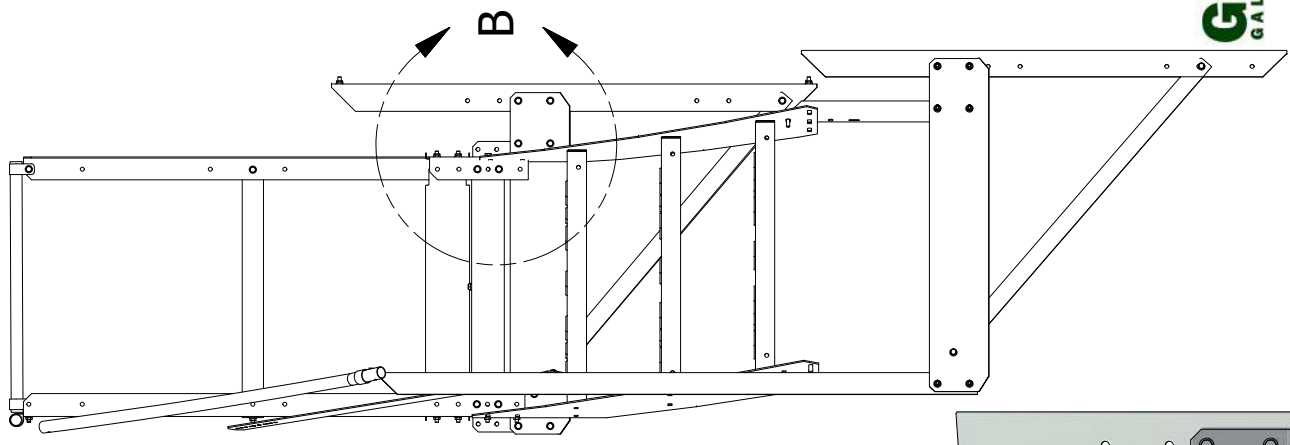
ITEM	QTY	PART NUMBER	DESCRIPTION
1	1	ES-3501A	Plat skin 56.5 x 30 x 16 ga
2	3	ES-3003A	Plat post 47 x 4 x 12 ga
3	1	ES-3002A	Plat post short 9.25 x 4 x 14 ga
4	2	ES-0001	wall base 45.5 x 4 x 14 ga
5	2	ES-0002	wall cross 32 x 6 x 14 ga
6	4	ES-3001	Plat mount Post 8 x 3 x 14 ga
7	2	ES-0021	knee brace 37.25 x 3 x 12 ga
8	1	ES-3505	plat end kickboard 23 x 5 x 16 ga
9	2	ES-3504	plat side kickboard 49.5 x 5 x 14 ga
10	1	ES-3506	plat side handrail 1" id x 50" 17 ga
11	1	ES-3507	plat end handrail 1" id x 23.5" 17 ga
12	1	ES-3508	plat side int rail 50 x 2 x 12 ga
13	1	ES-3509	plat end int rail 23.5 x 2 x 12 ga
14	1	ES-3008	plat mid brace
15	4	Handrail Clamp	14 ga coated P clamp
16	1	HWES3800	Hardware Package



www.greenestairs.com  
East Lynn IL 60932  
217-375-4244 / 217-375-4245 FAX

DRAWN	5/9/2012
Mike Adams	TITLE
ES3500 BOM	
SIZE	DWG NO
A	ES3500 Stair Platform
DO NOT SCALE REV	

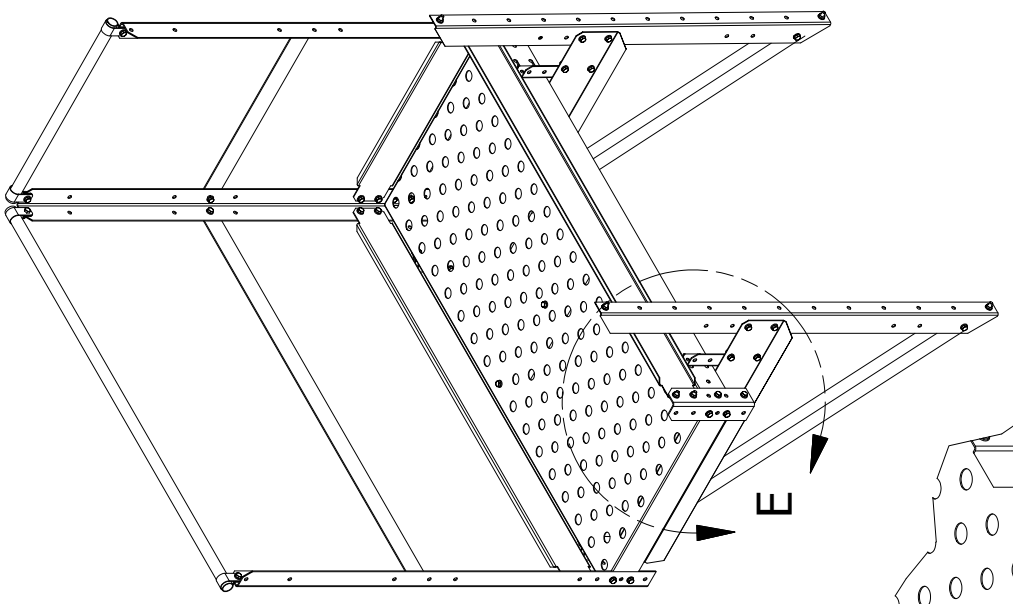




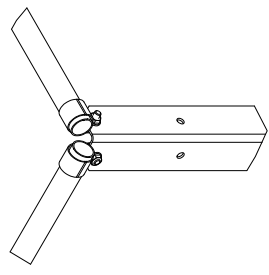
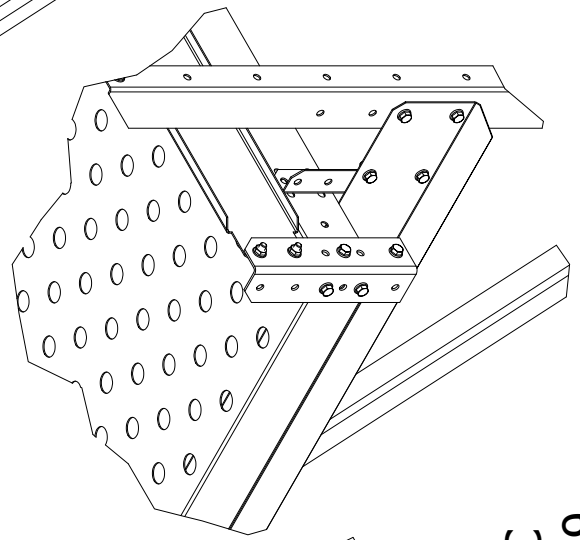
**DETAIL B**  
**SCALE 1 / 9**

**DETAIL A**  
**SCALE 1 / 9**

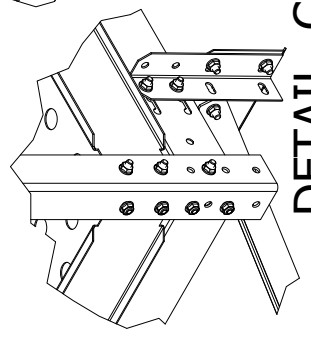
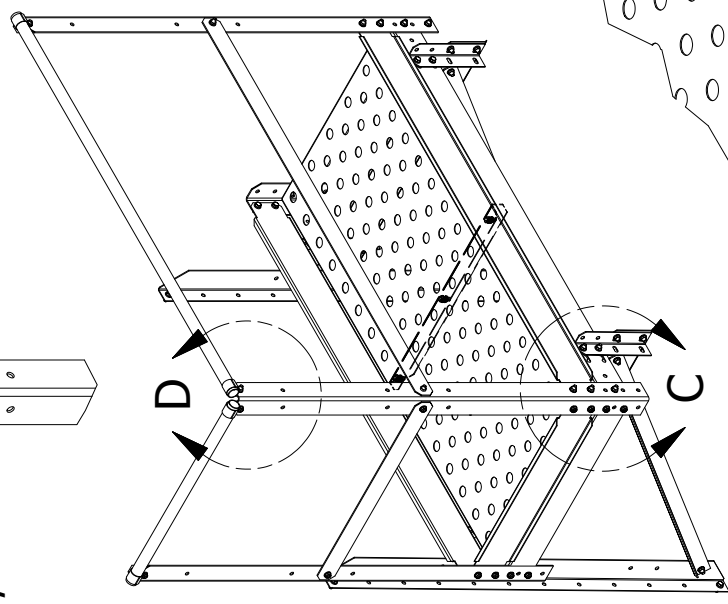




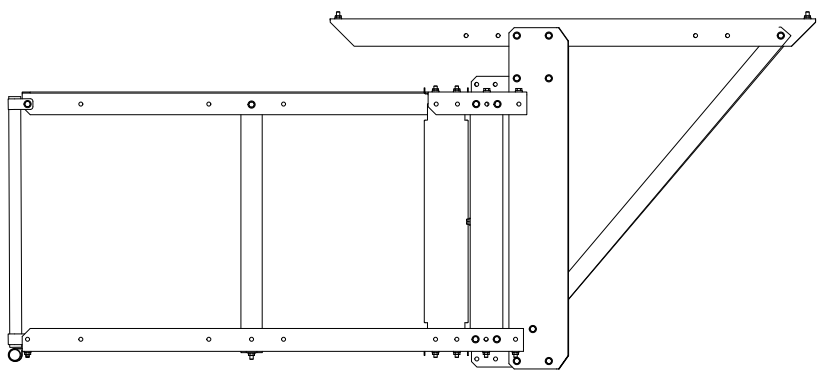
DETAIL E  
SCALE 1 / 9



DETAIL D  
SCALE 1 / 9



DETAIL C  
SCALE 1 / 9

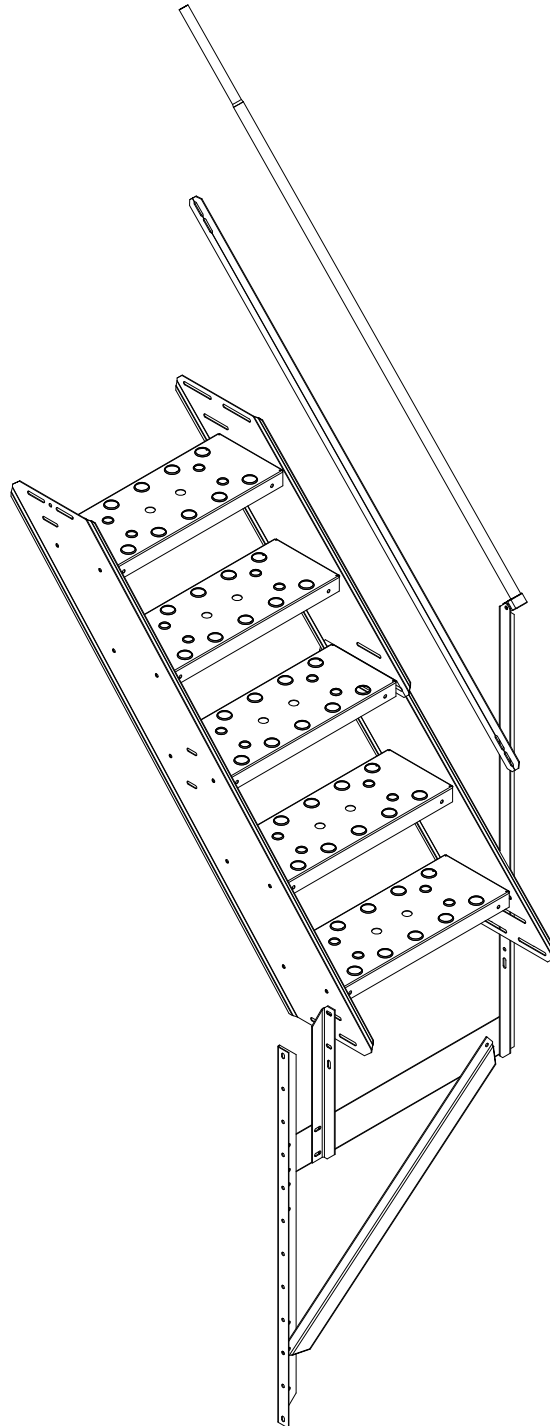


**GREENE**  
GALVANIZED STAIRS  
www.greenestairs.com  
East Lynn IL 60932  
217-375-4244 / 217-375-4245 FAX

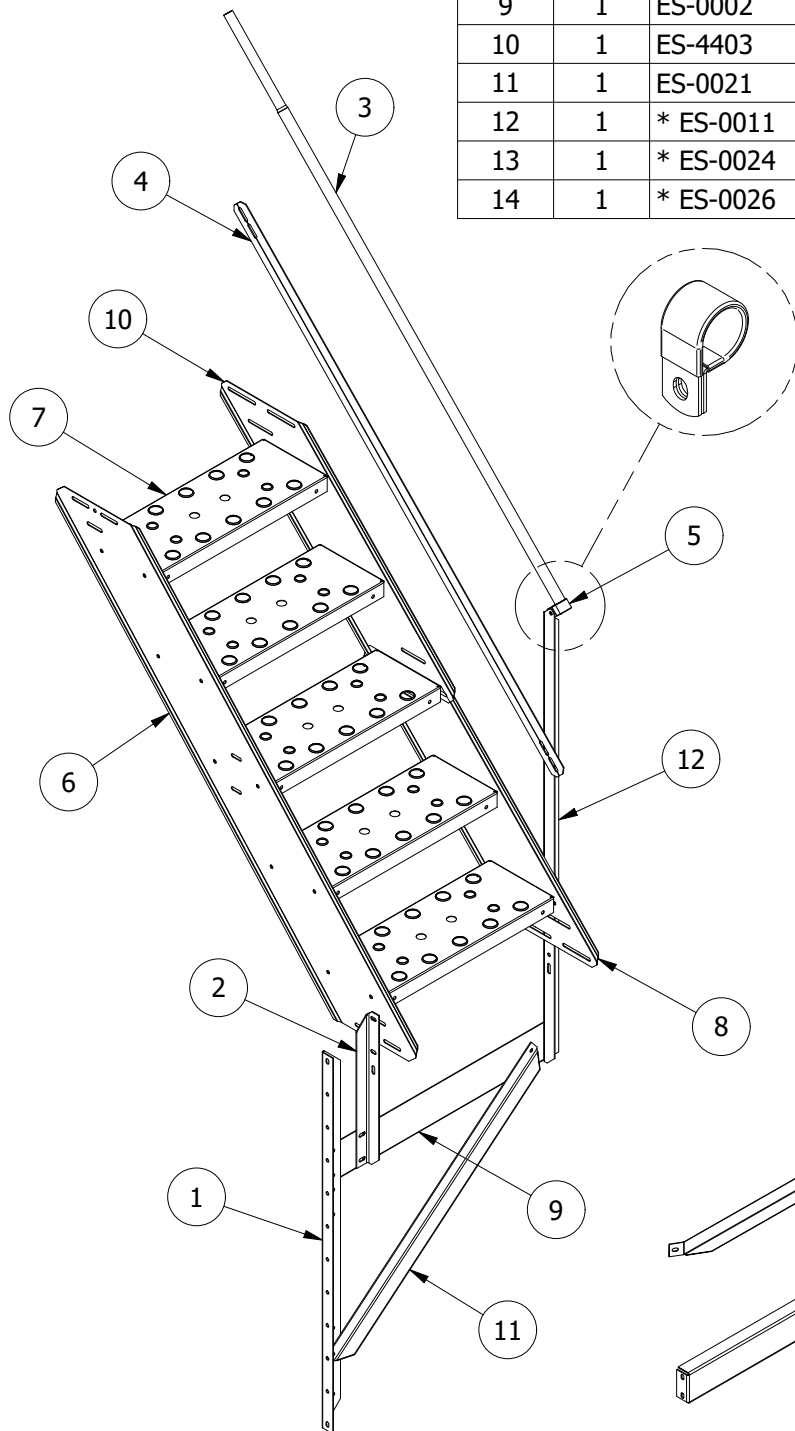
DRAWN	Mike Adams	DATE	5/9/2012
TITLE	ES3500 BOM		
SIZE	A	DWG NO	ES3500 Stair Platform
DO NOT SCALE REV			
SHEET 3 OF 3			

# ES4400

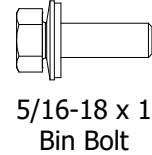
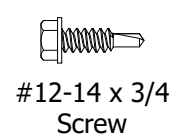
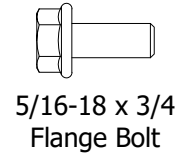
## Greene Galvanized



PARTS LIST			
ITEM	QTY	PART NUMBER	DESCRIPTION
1	1	ES-0001	Easy Step Wall Base
2	1	ES-0012	Easy Step Short Post
3	1	ES-4406	Easy Step 44 Handrail
4	1	ES-4404	Easy Step Int Rail
5	1	HRC1000	Handrail Clamp for 1 in
6	1	ES-4401	Easy Step 44 Inside Siderail
7	5	ES-0006	Easy Step Stair Step
8	1	ES-4402	Easy Step 44 Outside Siderail Lower
9	1	ES-0002	Easy Step Wall Cross
10	1	ES-4403	Easy Step 44 Outside Siderail Upper
11	1	ES-0021	Easy Step Knee Brace
12	1	* ES-0011	Easy Step Stair Post
13	1	* ES-0024	Easy Step Bottom Brace Bracket
14	1	* ES-0026	Easy Step Bottom Knee Brace

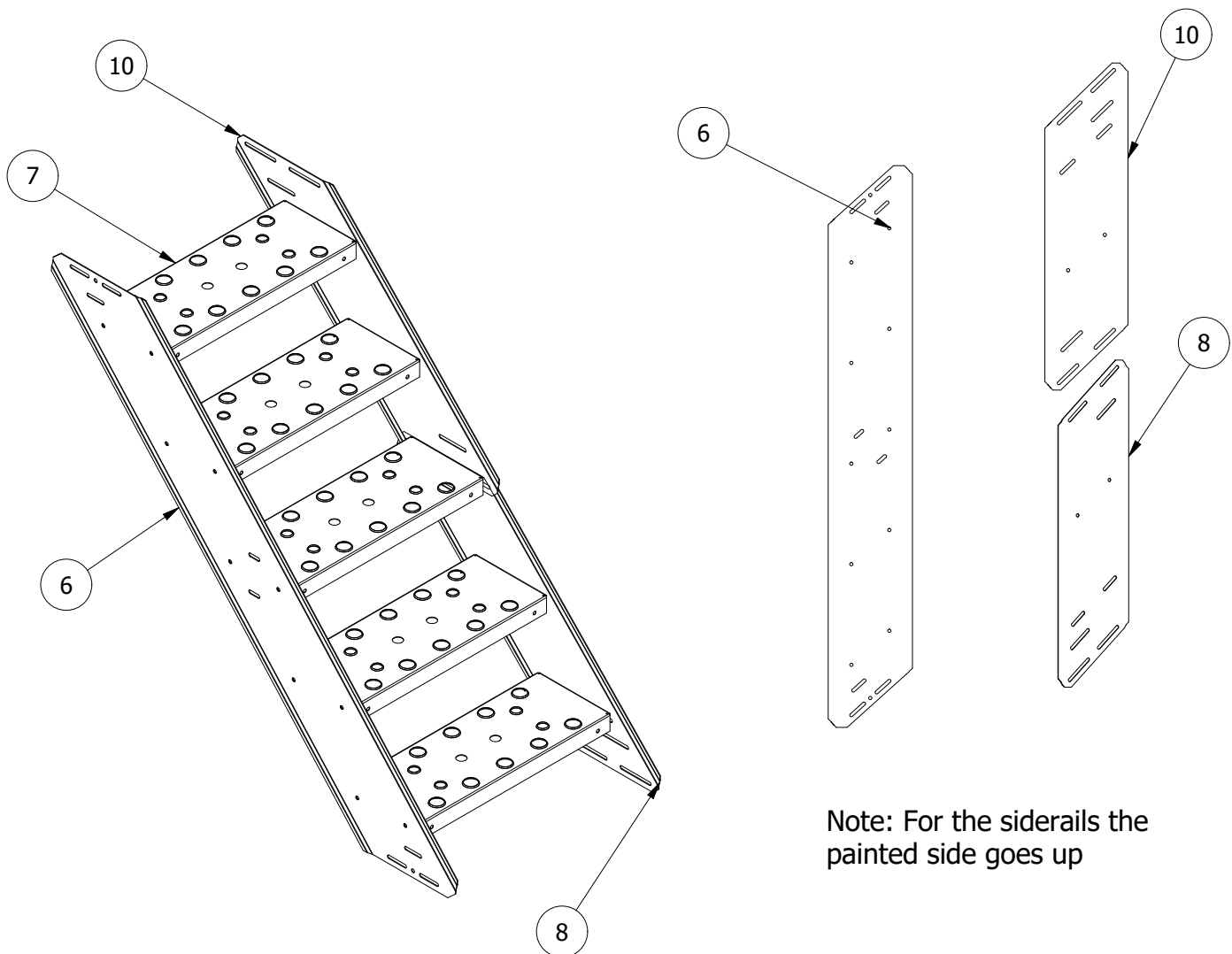


\* Bottom brace bracket, bottom knee brace, and extra stair post are included with the stair platform package.



# Step 1: Adding siderails and steps

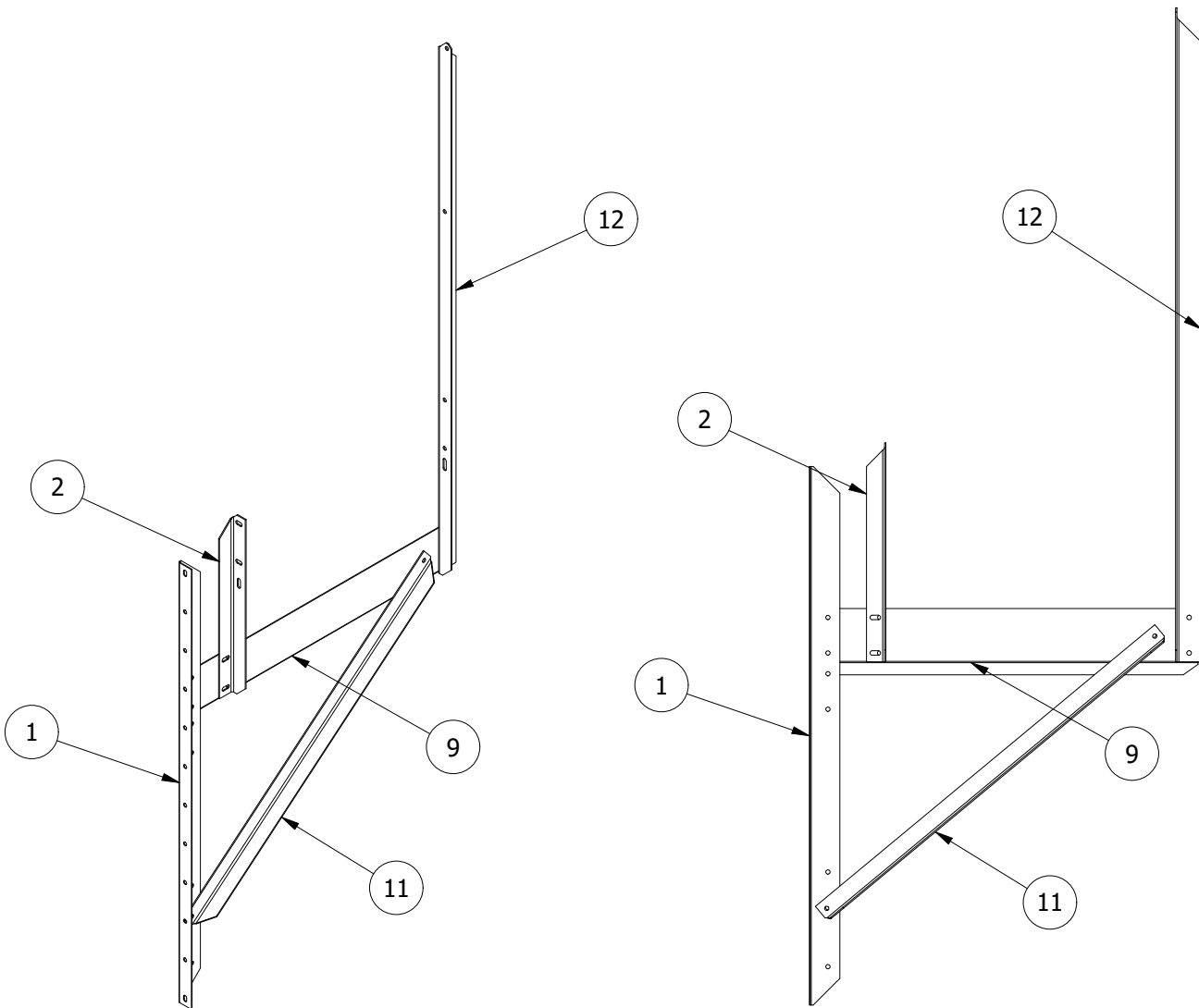
PARTS LIST			
ITEM	QTY	PART NUMBER	DESCRIPTION
6	1	ES-4401	Easy Step 44 Inside Siderail
7	5	ES-0006	Easy Step Stair Step
8	1	ES-4402	Easy Step 44 Outside Siderail Lower
10	1	ES-4403	Easy Step 44 Outside Siderail Upper



Note: For the siderails the painted side goes up

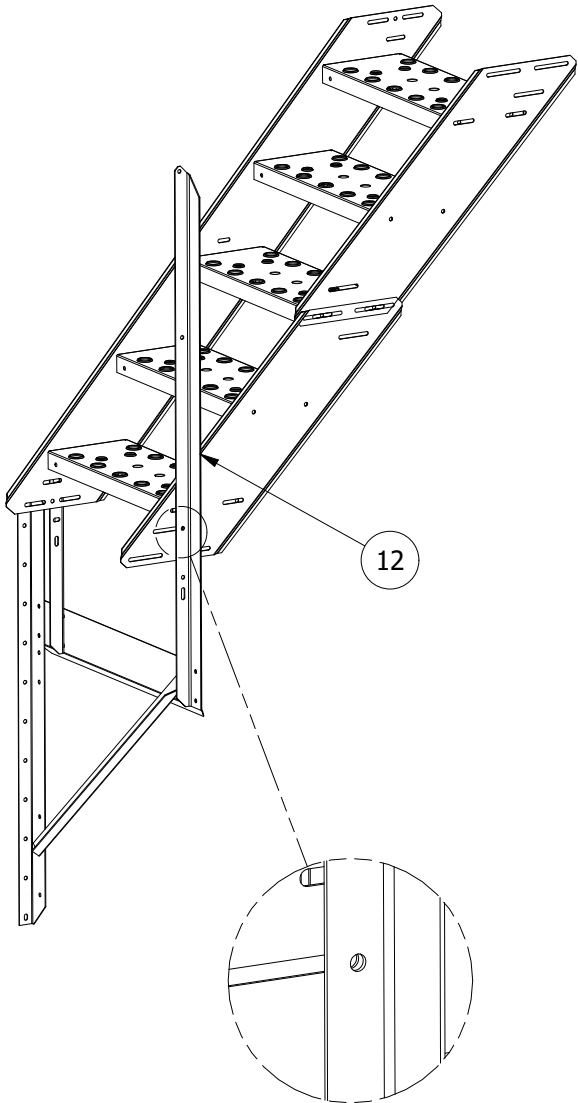
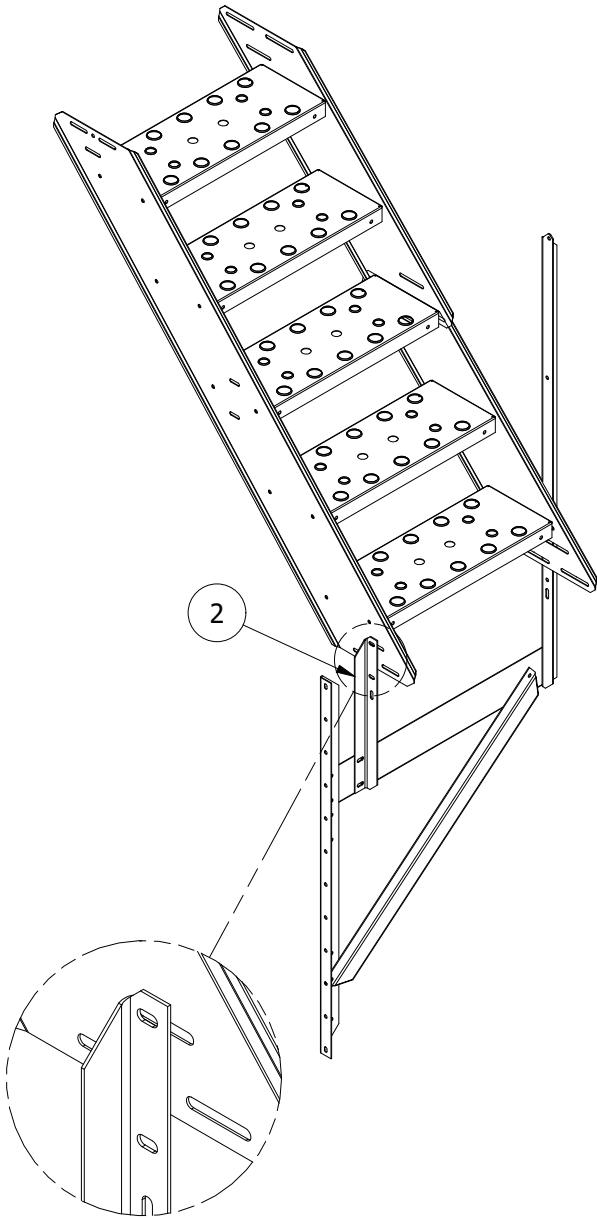
# Step 2: Building the A frame

PARTS LIST			
ITEM	QTY	PART NUMBER	DESCRIPTION
1	1	ES-0001	Easy Step Wall Base
2	1	ES-0012	Easy Step Short Post
9	1	ES-0002	Easy Step Wall Cross
10	1	ES-4403	Easy Step 44 Outside Siderail Upper
11	1	ES-0021	Easy Step Knee Brace



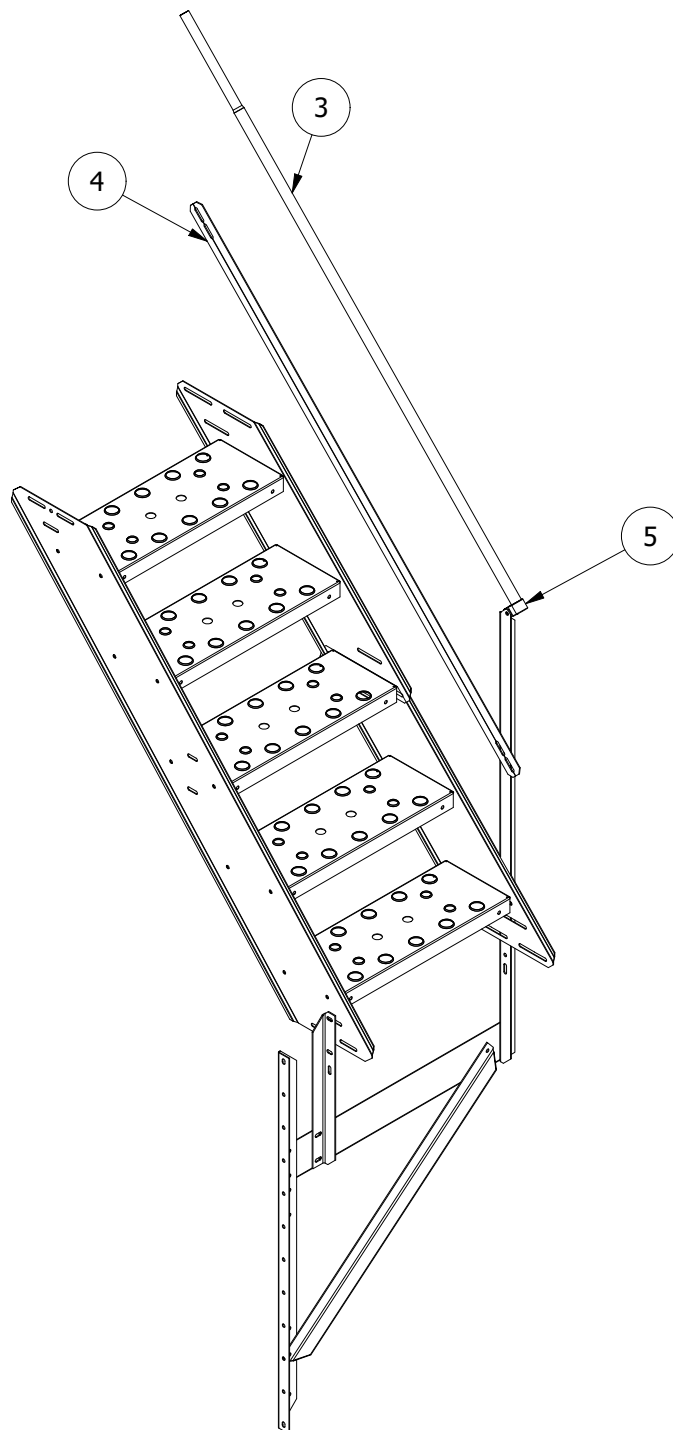
# Step 2: Attaching the A frame to the stair section

PARTS LIST			
ITEM	QTY	PART NUMBER	DESCRIPTION
2	1	ES-0012	Easy Step Short Post
12	1	* ES-0011	Easy Step Stair Post



## Step 3: Attaching the handrail and intermediate rails

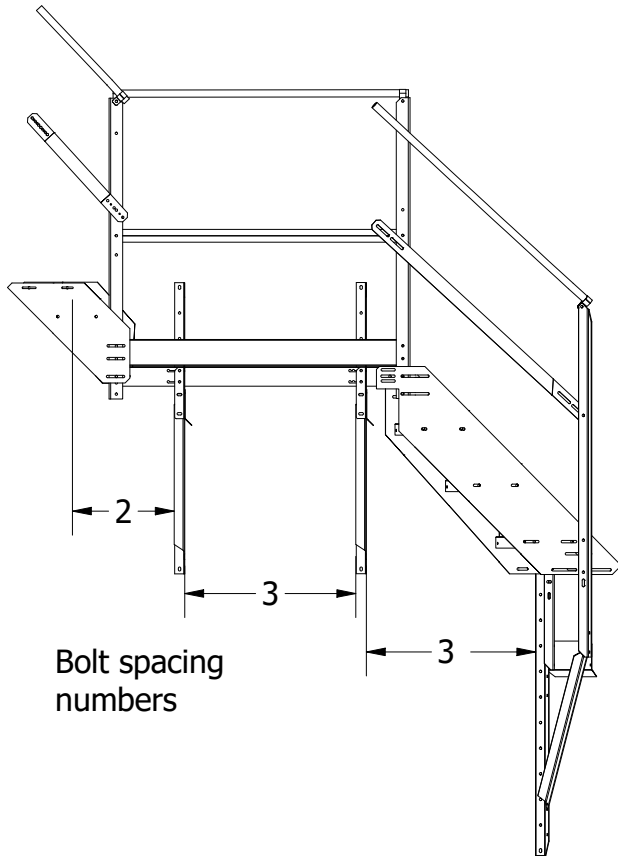
PARTS LIST			
ITEM	QTY	PART NUMBER	DESCRIPTION
3	1	ES-4406	Easy Step 44 Handrail
4	1	ES-4404	Easy Step Int Rail
5	1	HRC1000	Handrail Clamp for 1 in





# IN-ES3001

## ES3644 44" Easy Step Intermediate Platform & Stair Assembly

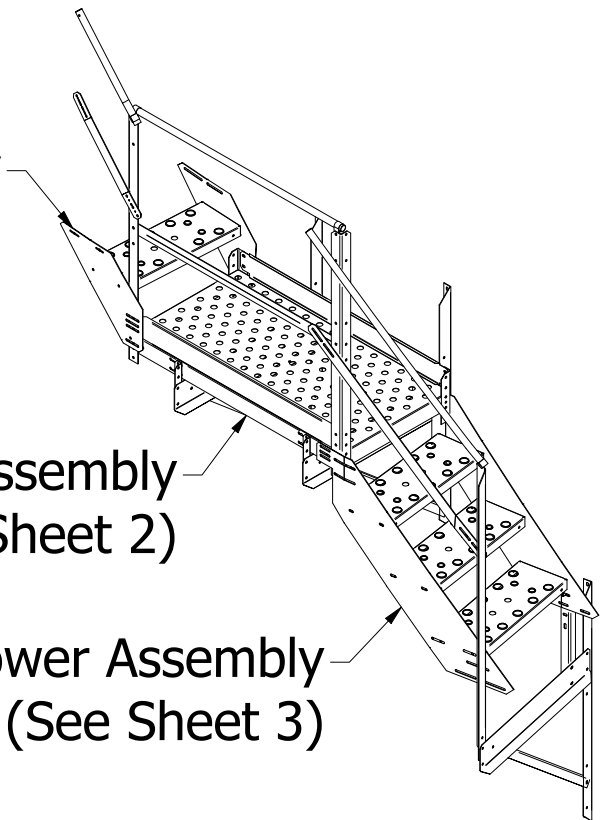


Bolt spacing  
numbers

Upper Step Assembly  
(See Sheet 3)

Platform Assembly  
(See Sheet 2)

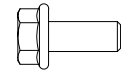
3 Step Lower Assembly  
(See Sheet 3)



# IN-ES3001

## ES3644 44" Easy Step Intermediate Platform & Stair Assembly

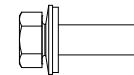
PARTS LIST - PLATFORM ASSEMBLY			
ITEM	QTY	PART NUMBER	DESCRIPTION
1	2	ES-0001	Easy Step Wall Base
2	2	ES-0002	Easy Step Wall Cross
3	2	ES-0021	Easy Step Knee Brace
4	4	ES-3001	Easy Step Platform Mount Post
5	1	ES-3601	Inter Plat Skin
6	2	ES-3002A	Easy Step Platform Short Post
7	2	ES-3003A	Easy Step Platform Post
8	2	ES-3604	Inter Plat Kickboard
9	2	ES-3606	Inter Plat Handrail
10	1	ES-3008	Easy Step Plat Mid Brace
11	1	ES-1606	44 Inter Plat Handrail
12	5	HRC1000	Handrail Clamp for 1 in
13	1	ES-1604	44 Inter Plat Int Handrail
14	1	ES-3608	
15	1	ES2600-A plat section	
16	1	ES1600 plat section	



5/16-18 x 3/4  
Flange Bolt



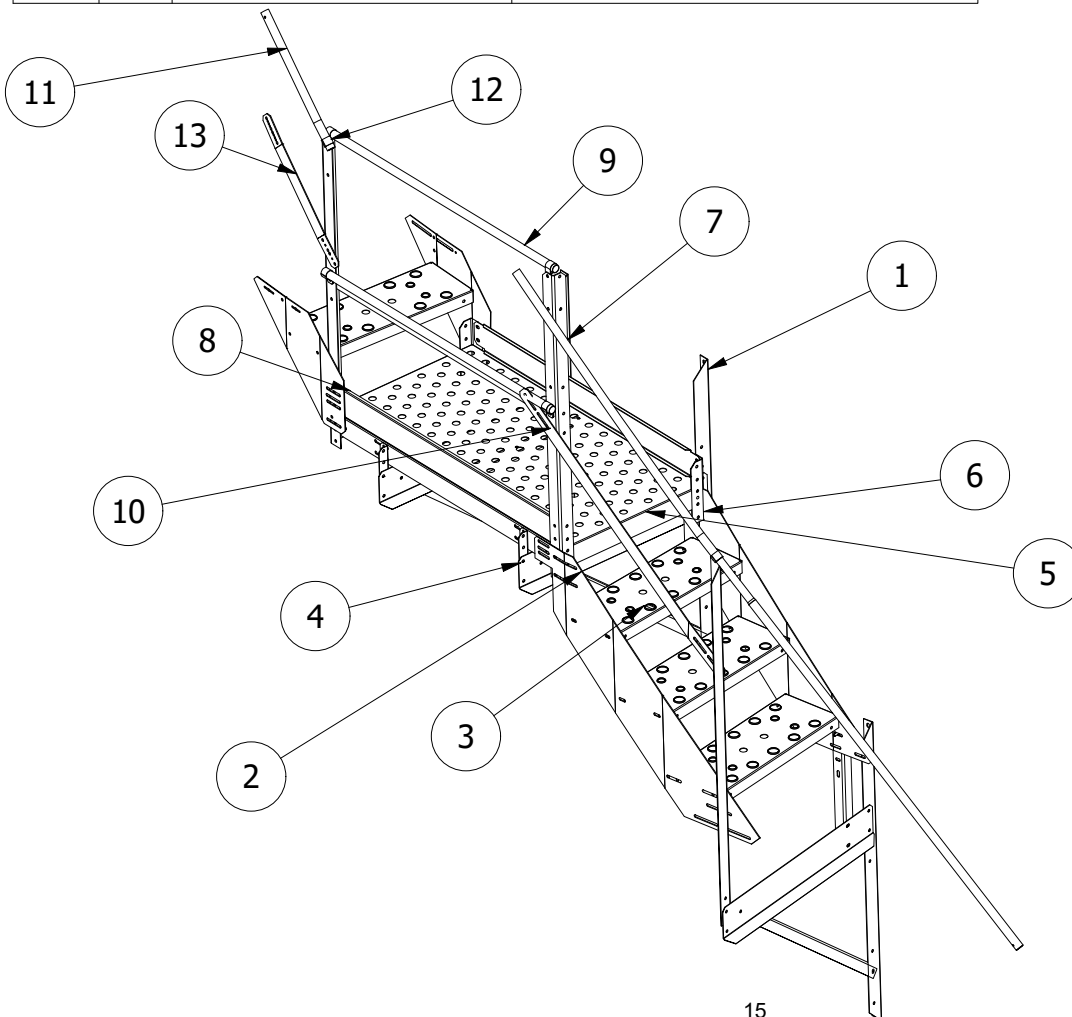
5/16-18 Whiz  
Lock Nut



5/16-18 x 1  
Bin Bolt



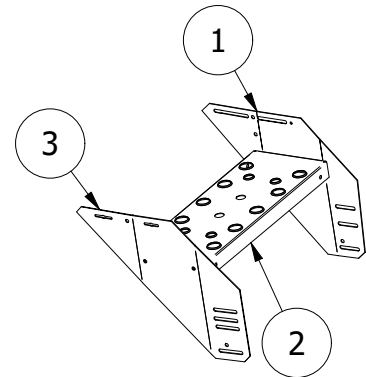
#12-14 x 3/4  
Screw



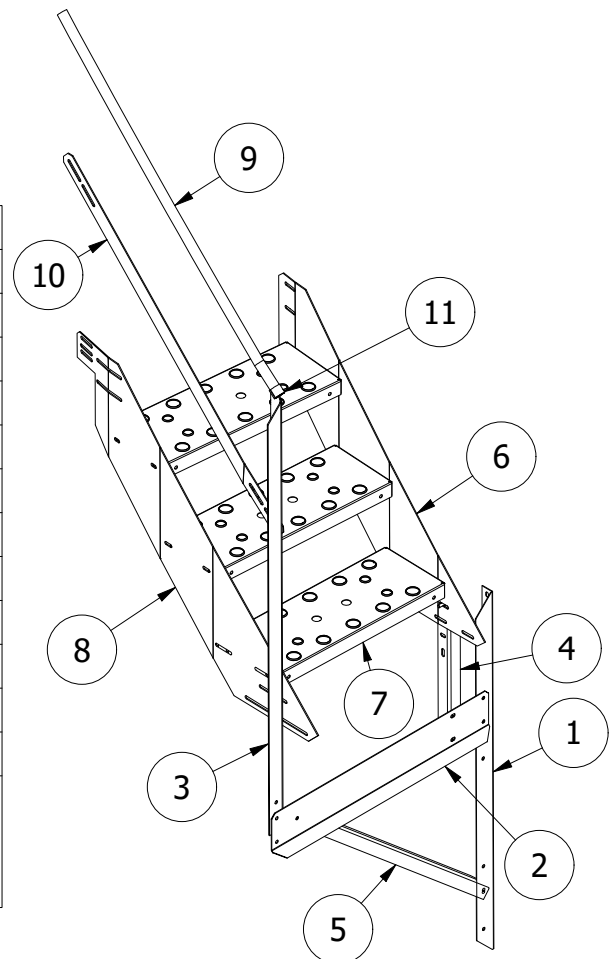
# IN-ES3001

## ES3644 44" Easy Step Intermediate Platform & Stair Assembly

PARTS LIST			
ITEM	QTY	PART NUMBER	DESCRIPTION
1	1	ES-1601	Int Plat Upper Inside
2	1	ES-0006	Easy Step Stair Step
3	1	ES-1602	Int Plat Upper Outside



PARTS LIST - 3 STEP LOWER ASSEMBLY			
ITEM	QTY	PART NUMBER	DESCRIPTION
1	1	ES-0001	Easy Step Wall Base
2	1	ES-0002	Easy Step Wall Cross
3	1	ES-0011	Easy Step Stair Post
4	1	ES-0012	Easy Step Short Post
5	1	ES-0021	Easy Step Knee Brace
6	1	ES-2601	Easy Step Platform Inside Siderail
7	3	ES-0006	Easy Step Stair Step
8	1	ES-2602	Easy Step Plat Outside Siderail
9	1	ES-2606	Easy Step 26 Handrail
10	1	ES-2608	Easy Step Intermediate Rail
11	1	HRC1000	Handrail Clamp for 1 in
18	7	IFI 111 - 5/16-18 UNC x 0.75	Hex Flange Screw - Regular Thread - Inch



### **Attach Stair Sections**

Attach the A-frame to the bottom of the Siderail using the top hole on the short post and the top hole (of the two) in the baluster post directly above the wall cross. After jacking the bin the A-frame will fit into place and be ready to attach the wall bracket to the bin wall.

The bin wall brackets call for one bolt at the top and bottom of the bracket on the horizontal bolt seam. (See layout section for attachment bolt spacing info.)

When attaching ES4400 Stair Sections, use the same procedure as the Stair Section on the platform, except level the middle step and tighten the upper splice, then level the bottom step and tighten the middle splice. ES4400 wall brackets are spaced 4 bolt spaces, or 37.5" around the bin.

### **Assembly and Finishing of Bottom Section**



ES-0026  
Bottom Knee Brace

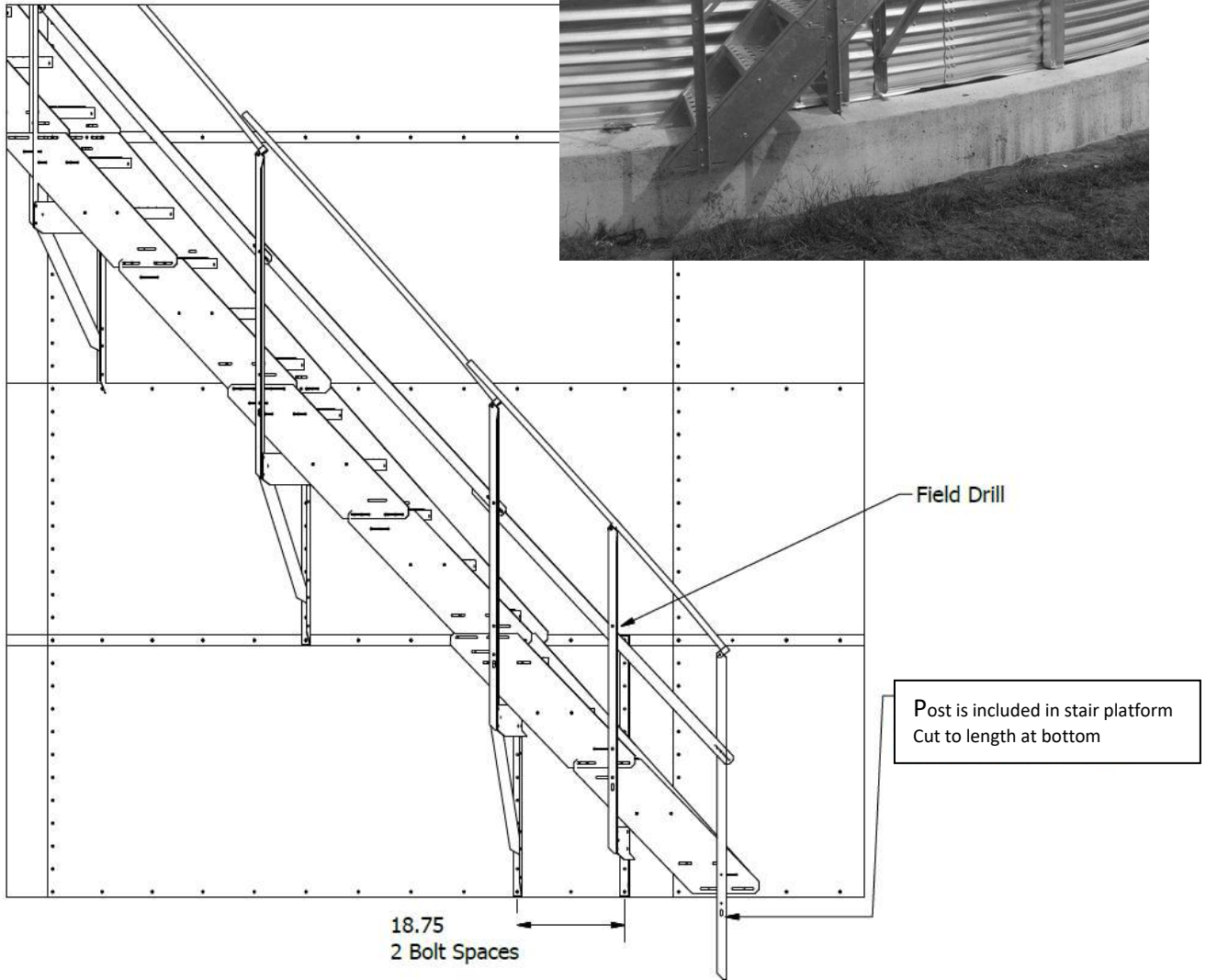
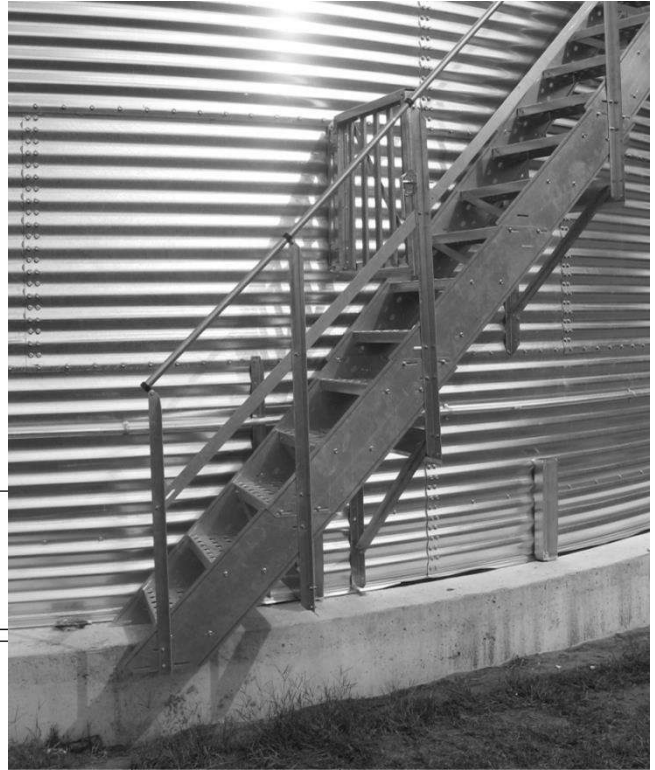


ES-0024  
Bottom Brace Bracket

### Attach Bottom Section

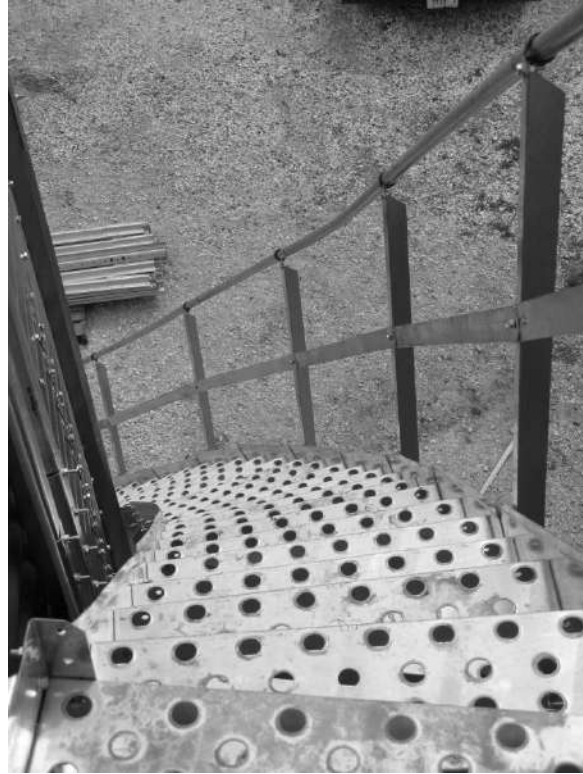
The bottom section uses a special configuration of the A-frame. For assembly see the A-frame drawing. It attaches in the middle of the Stair Section and it is two bolt spaces, or 18.75" +/- from the last wall mount.

There is a baluster post, bottom brace bracket and bottom knee brace included with the platform that attaches to the bottom of the bottom section. This allows the handrail to end at the bottom of the stairs and braces the bottom two steps and post.



### **Attach Handrail**

Shape the round handrail according to the circumference of the bin and attach them to the baluster posts using the coated “p-strap” with the **swaged end facing up** in the direction of the stair run. **The handrail clamp should be oriented outward. Insert the bolt through both holes on the handrail clamp, push the bolt through the hole in the baluster post, and fasten the nut to the outside so that the bolt head is on the inside of the stairs.**(See Illustration on next page) Make sure the handrail clamp is fastened tightly together and the **post is not between the two tabs**. The bottom of each handrail section should be flush with the down hill edge of the Handrail Clamp. There is a self drilling screw for each stair section to screw the handrail into the handrail clamp.

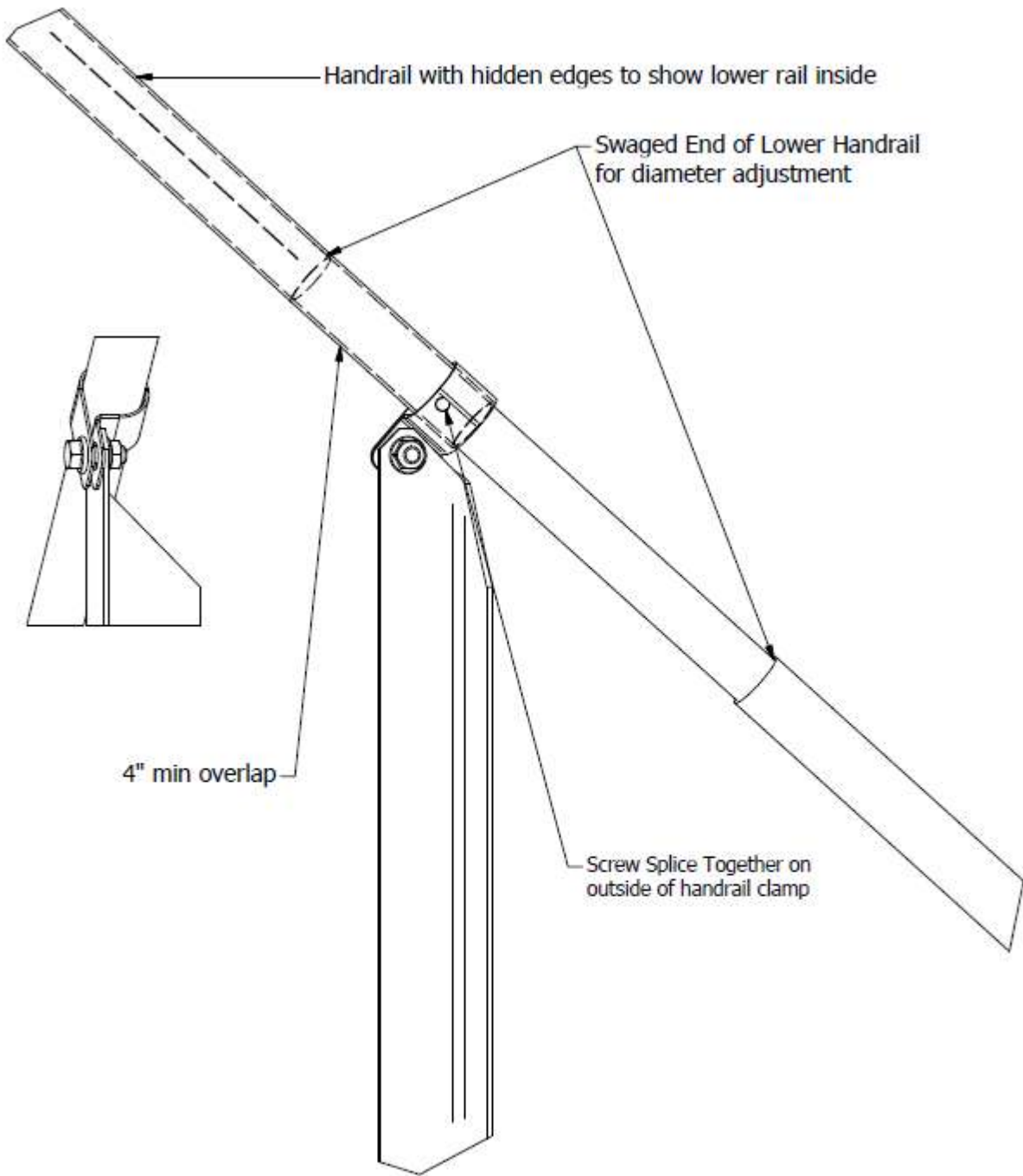


Intermediate rails bolt on the posts through the slots and are to be centered between each baluster post.

Recommended: Tubing Roll Former from Harbor Freight for Shaping Handrail to Bin Diameter.



Pittsburgh - Item#99736



Easy Step Handrail Clamp  
Handrail Installation Layout  
Outside View