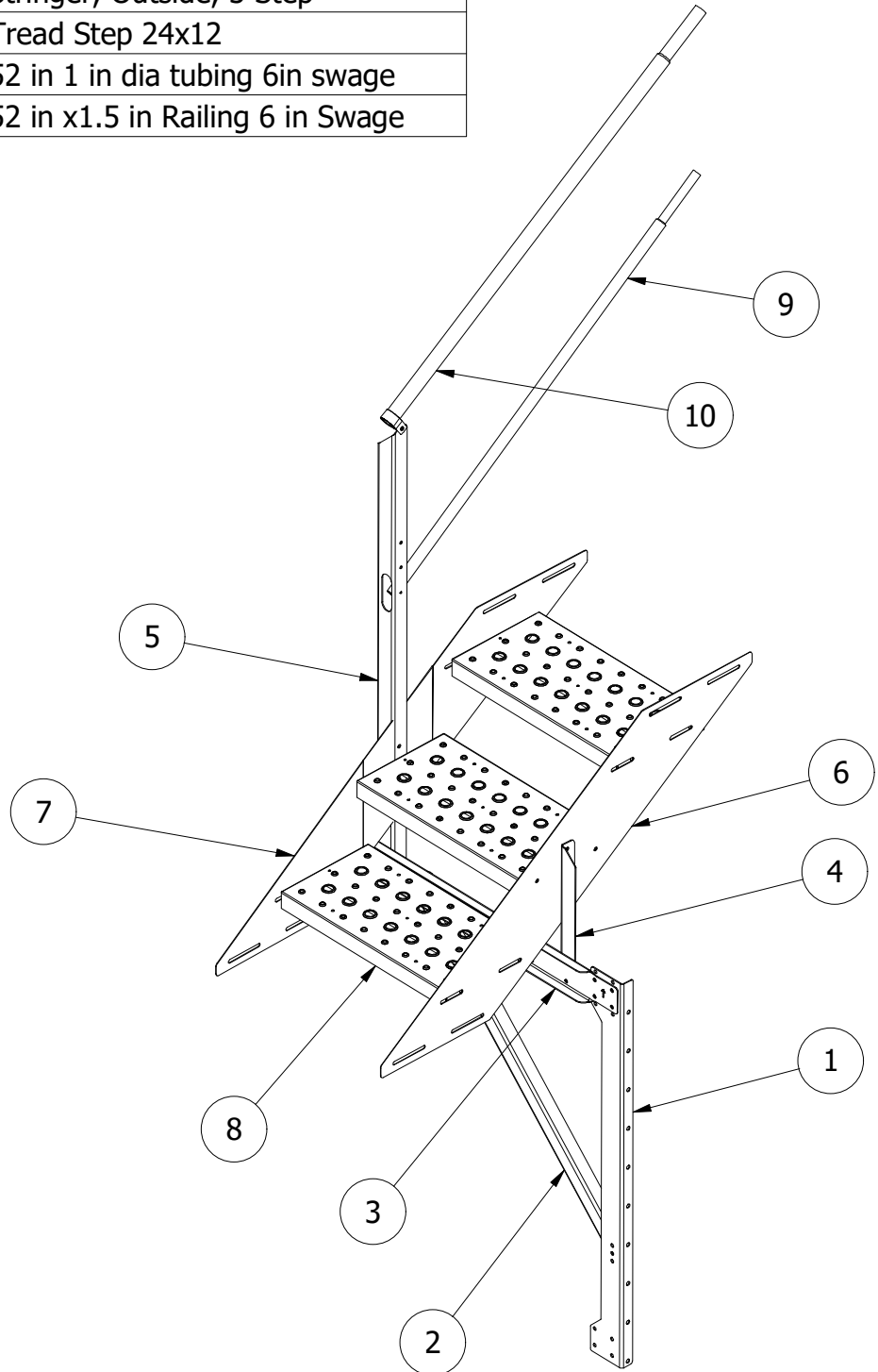


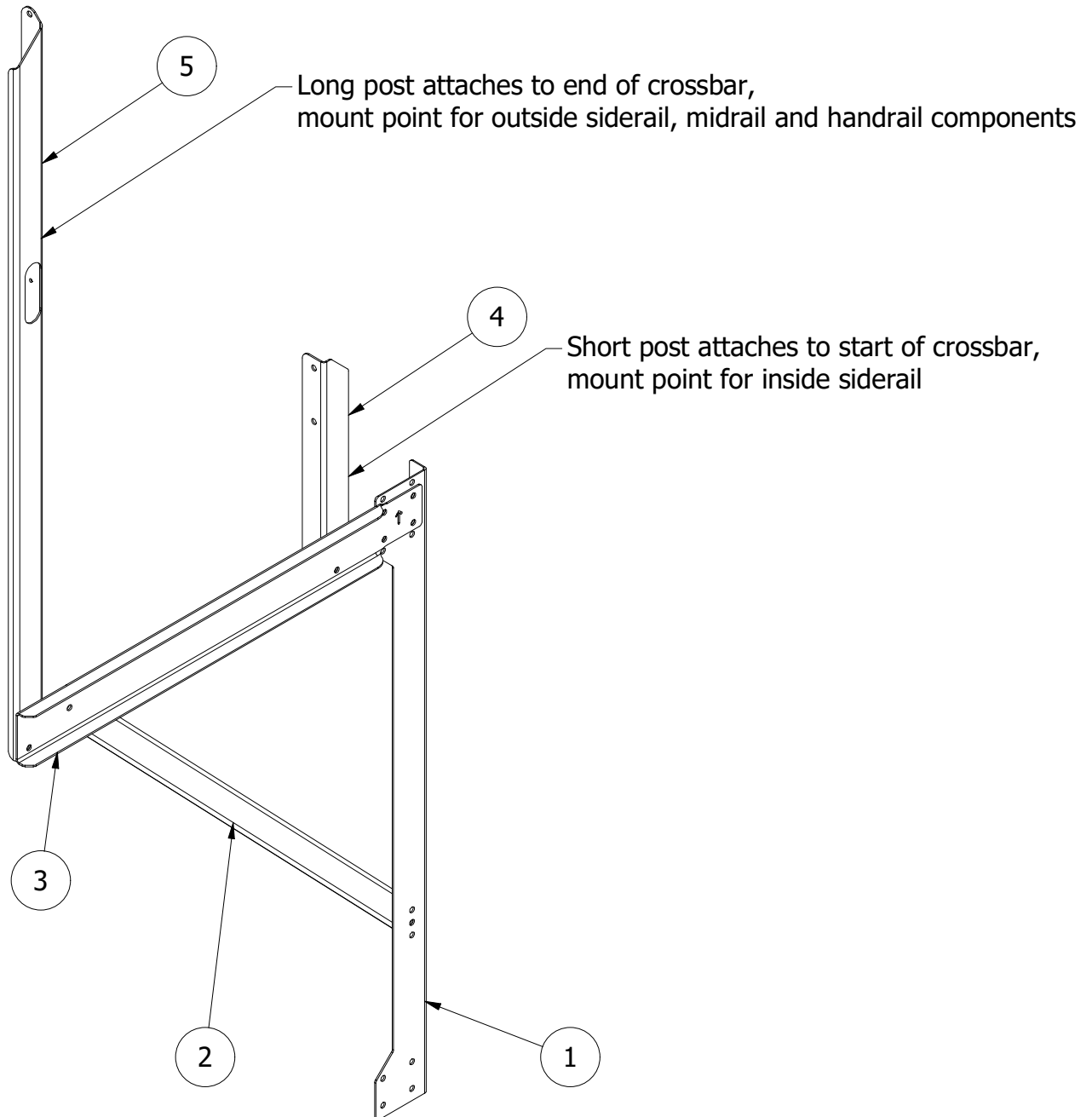
PARTS LIST			
ITEM	QTY	PART NUMBER	DESCRIPTION
1	3	CS-42001	Bracket, Wall, 42" ring
2	1	CS-32002	Channel, K-Brace, C-Series
3	1	CS-40002	Channel, Crossbar
4	1	CS-F40001	Post, Stair, Inside
5	1	CS-F40011	Post, Stair Rail, Outside
6	1	CS-42043	Stringer, Inside, 3 step
7	1	CS-42048	Stringer, Outside, 3 Step
8	3	CS41224	Tread Step 24x12
9	1	TR1005206	52 in 1 in dia tubing 6in swage
10	1	TR1505206	52 in x1.5 in Railing 6 in Swage



## Attaching the Posts to the stair A-Frame

### PARTS LIST

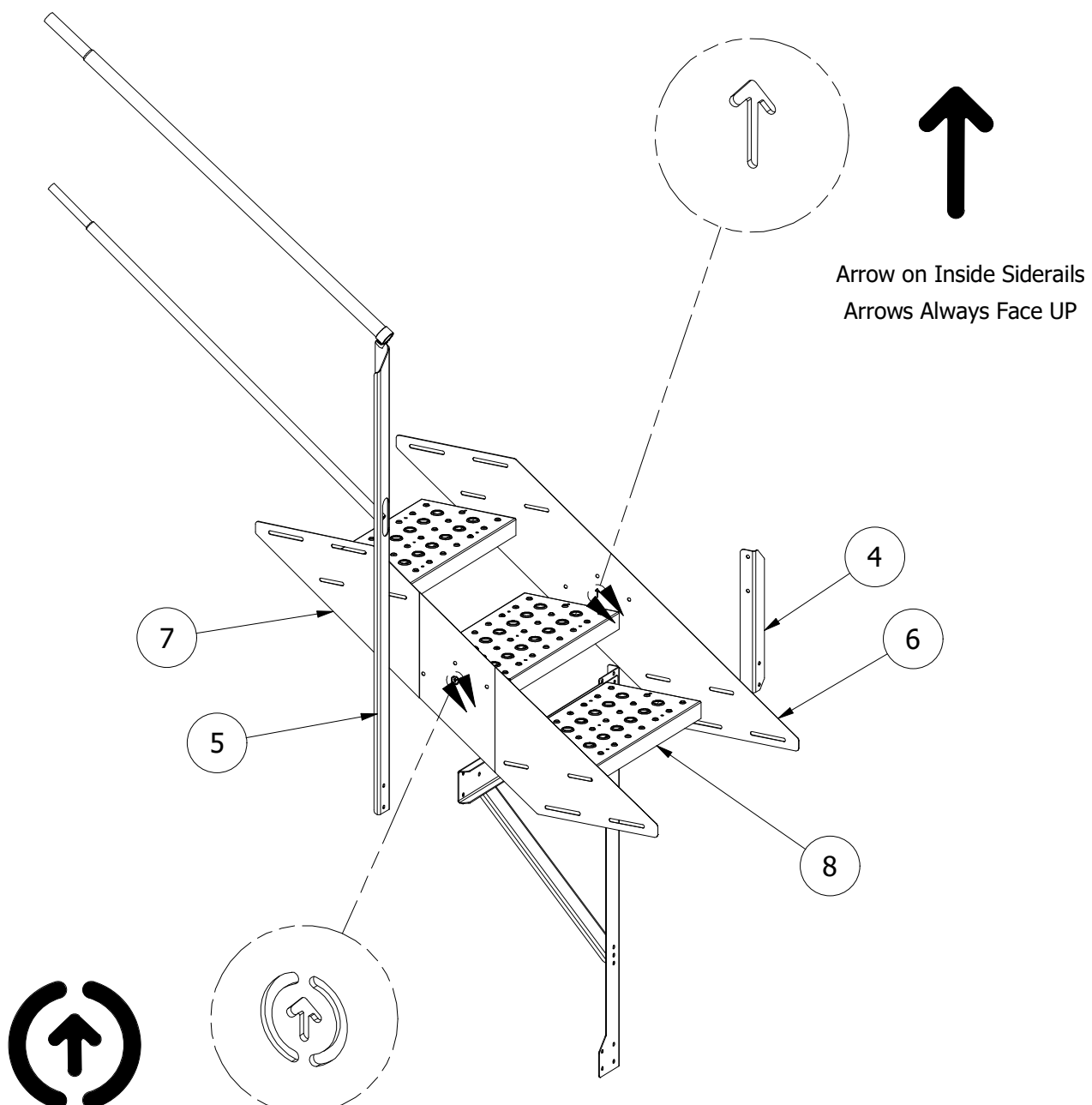
ITEM	QTY	PART NUMBER	DESCRIPTION
1	1	CS-42001	Bracket, Wall, 42" ring
2	1	CS-42002	Channel, Crossbar
3	1	CS-32002	Channel, K-Brace, C-Series
4	1	CS-F40001	Post, Inside (Farm)
5	1	CS-F40011	Post, Outside (Farm)



**CF4203**  
**3-step**

PARTS LIST			
ITEM	QTY	PART NUMBER	DESCRIPTION
4	1	CS-F40001	Post, Stair, Inside
5	1	CS-F40011	Post, Stair Rail, Outside
6	1	CS-42043	Stringer, Inside, 3 step
7	1	CS-42048	Stringer, Outside, 3 Step
8	3	CS41224	Tread Step 24x12

On the CF4203 stair section,  
the inside siderail is a one piece 3-step,  
the outside siderail is a one piece, 3-step  
use the arrows to determine between inside and outside

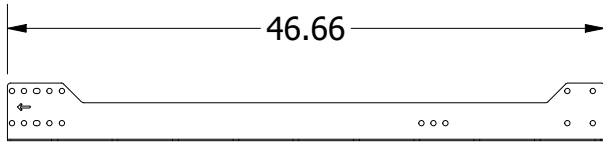


Arrow on Inside Siderails  
Arrows Always Face UP

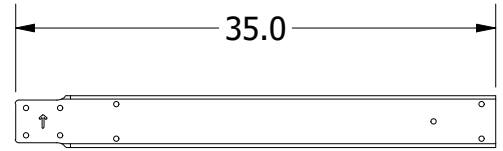


Arrow & Circle on Outside Siderails  
Arrows Always Face UP

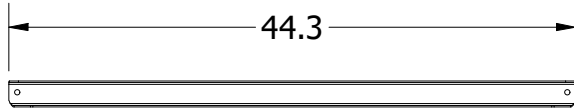
**CF4203 Parts ID**



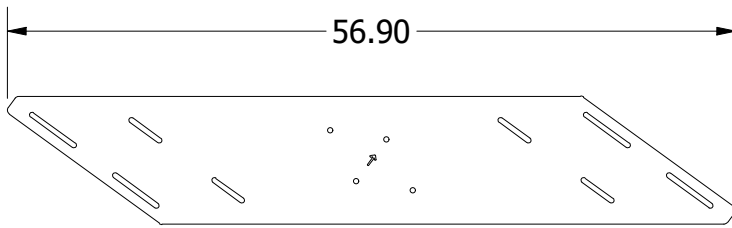
CS-42001



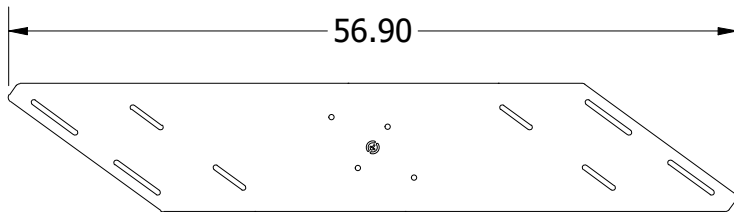
CS-40002



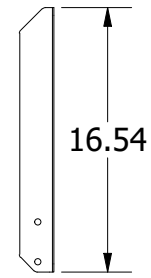
CS-32002



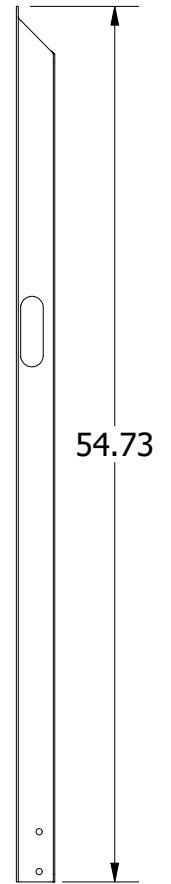
CS-42043



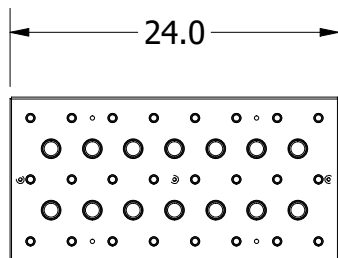
CS-42048



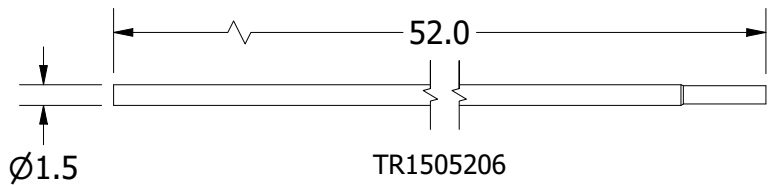
CS-F40001



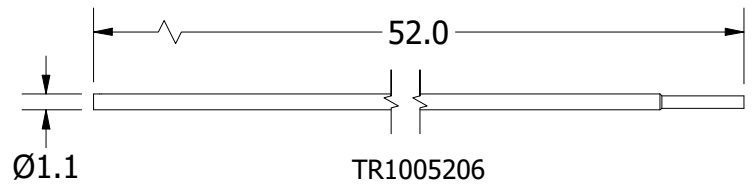
CS-F40011



CS41224



TR1505206



TR1005206