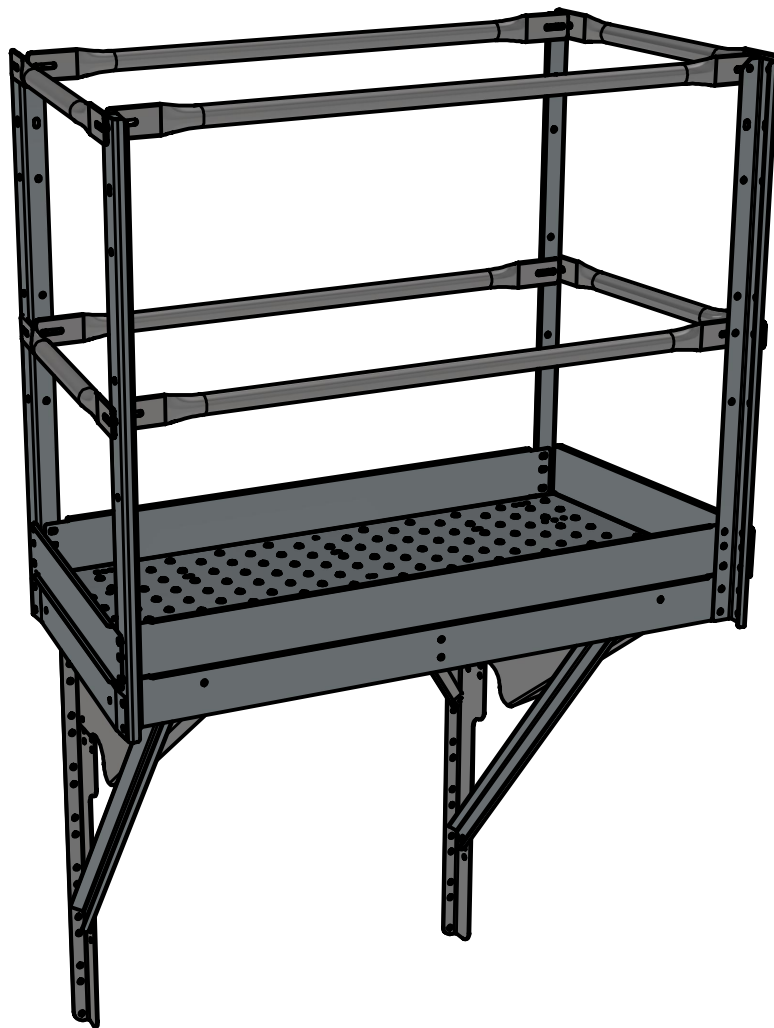


CF3939L
CF3939S

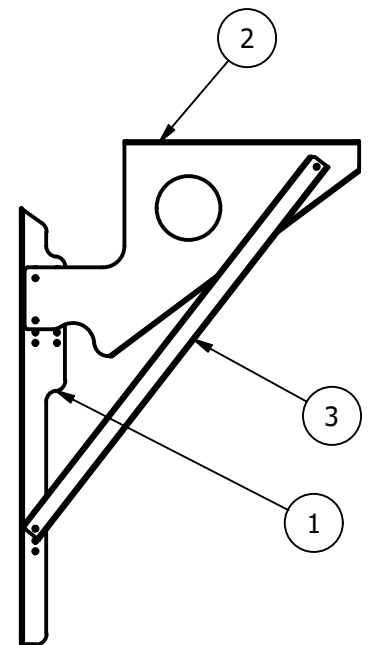
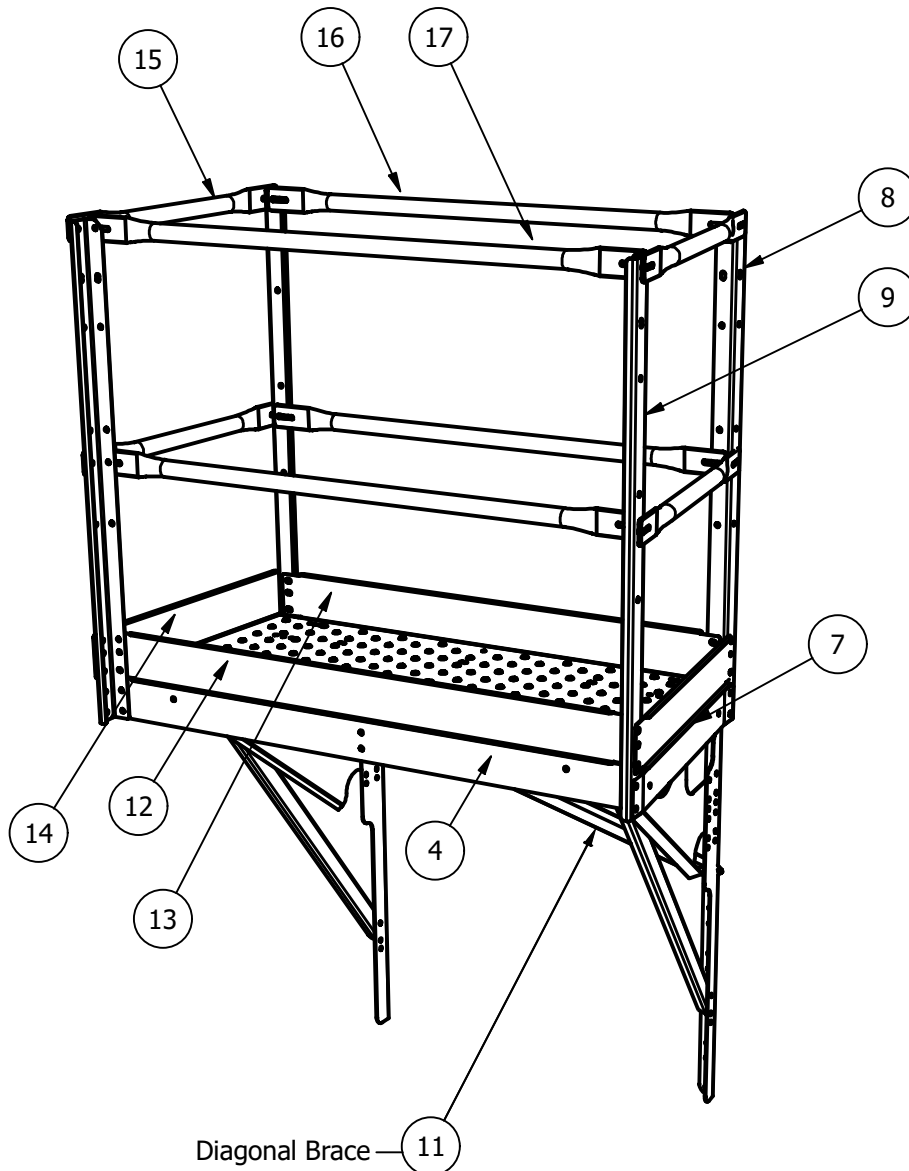
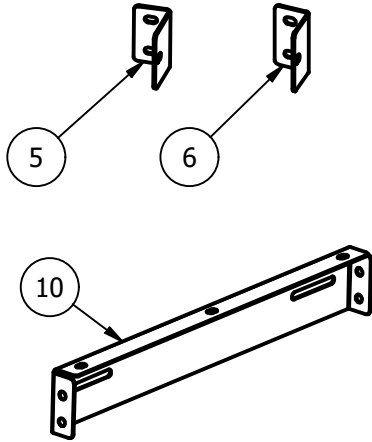
C-Series End Platforms, 39" Bins



CF3939L Parts List

PARTS LIST

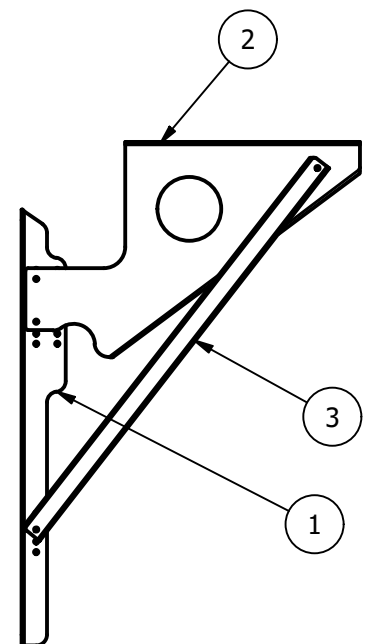
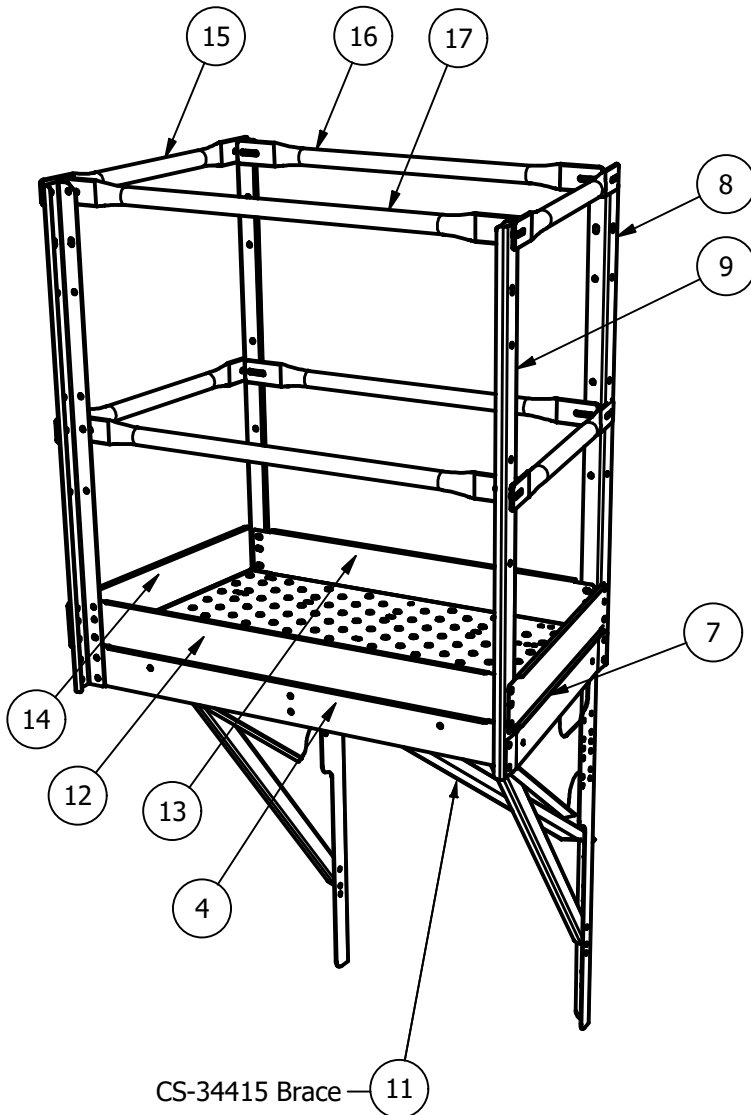
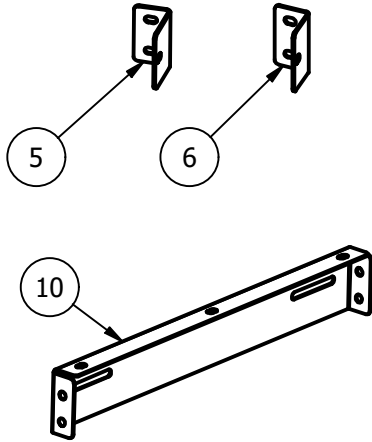
ITEM	QTY	PART NUMBER	DESCRIPTION
1	2	CS-33901	Bracket, Wall, 39.37 Platform
2	2	CS-34402	Brace, Plate, Platform
3	2	CS-32002	Channel, K-Brace, C-Series
4	1	CS-F30001	Tread, Platform, Trapezoid 55x24
5	2	CS-40005	Bracket, Brace, Angle, Acute
6	2	CS-40006	Bracket, Brace, Angle, Obtuse
7	2	CS-34414	Bracket, Faceplate
8	2	CS-34500	Angle, Post, J-channel, Right
9	2	CS-34501	Angle, Post, J-channel, Left
10	1	CS-3009	Bracket, Support, Platform
11	1	CS-34415	Brace, Diagonal End Platform
12	1	CS-34406	Channel, Kickboard, Outside Long
13	1	CS-34407	Channel, Kickboard, Inside, Long
14	2	CS-34408	Channel, Kickboard, End
15	4	TRS1502800	28" Long 1.5 in tube railing slotted end tabs
16	2	TRS1504800	48" Long 1.5 in tube railing slotted end tabs
17	2	TRS1505400	54" long 1.5 in tube railing slotted end tabs



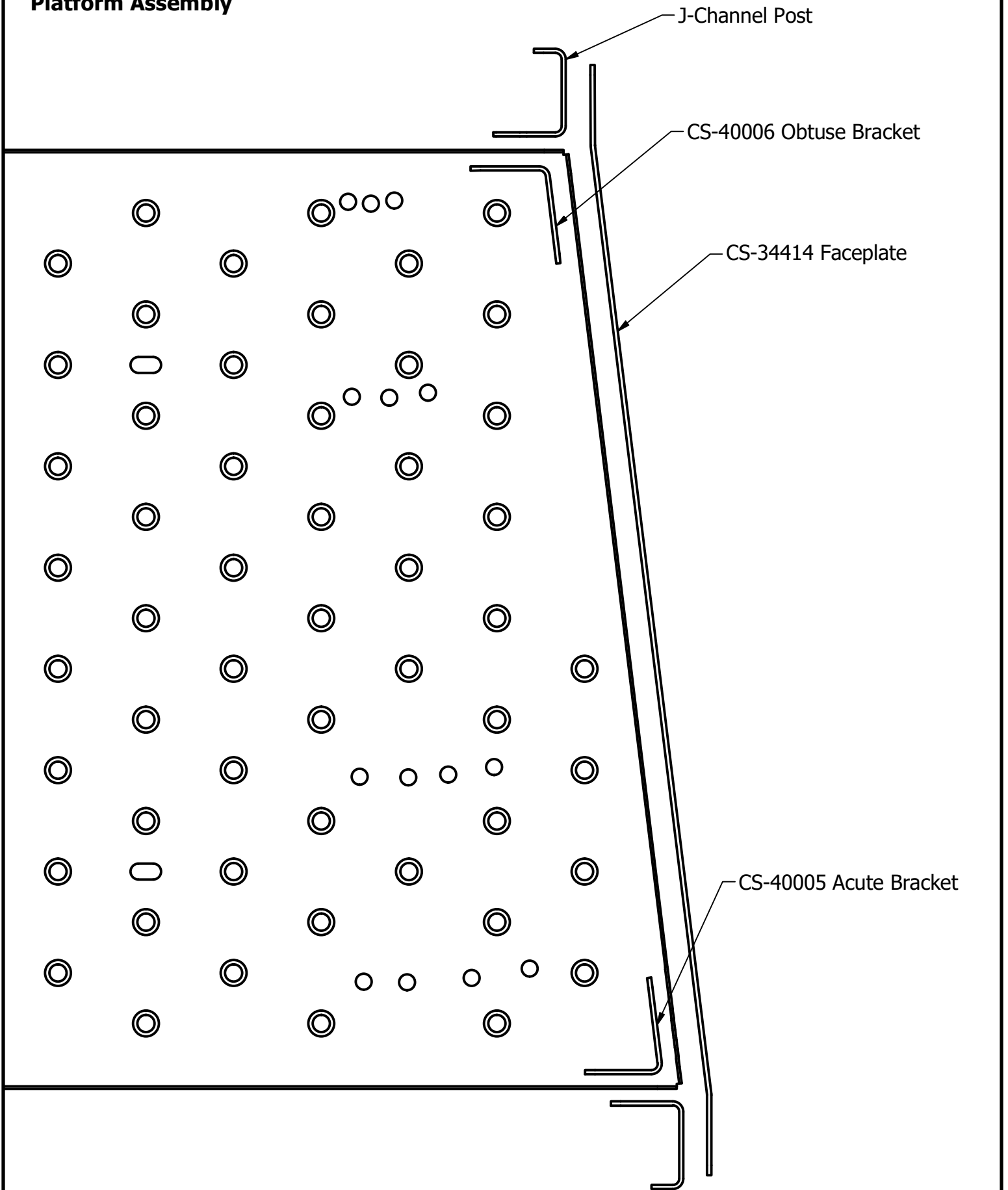
CF3939S Parts List

PARTS LIST

ITEM	QTY	PART NUMBER	DESCRIPTION
1	2	CS-33901	Bracket, Wall, 39.37 Platform
2	2	CS-34002	Brace, Plate, Platform
3	2	CS-32002	Channel, K-Brace, C-Series
4	1	CS-F30002	Tread, Platform, Short, Trapezoid, 44x24
5	2	CS-40005	Bracket, Brace, Angle, Acute
6	2	CS-40006	Bracket, Brace, Angle, Obtuse
7	2	CS-34414	Bracket, Faceplate
8	2	CS-34500	Angle, Post, J-channel, Right
9	2	CS-34501	Angle, Post, J-channel, Left
10	1	CS-3009	Bracket, Support, Platform
11	1	CS-34415	Brace, Diagonal End Platform
12	1	CS-34410	Channel, Kickboard, Outside, Short
13	1	CS-34409	Channel, Kickboard, Inside, Short
14	2	CS-34408	Channel, Kickboard, End
15	4	TRS1502800	28 Long 1.5 in tube railing slotted end tabs
16	2	TRS1503700	37 Long 1.5 in tube railing slotted end tabs
17	2	TRS1504400	44 Long 1.5 in tube railing slotted end tabs



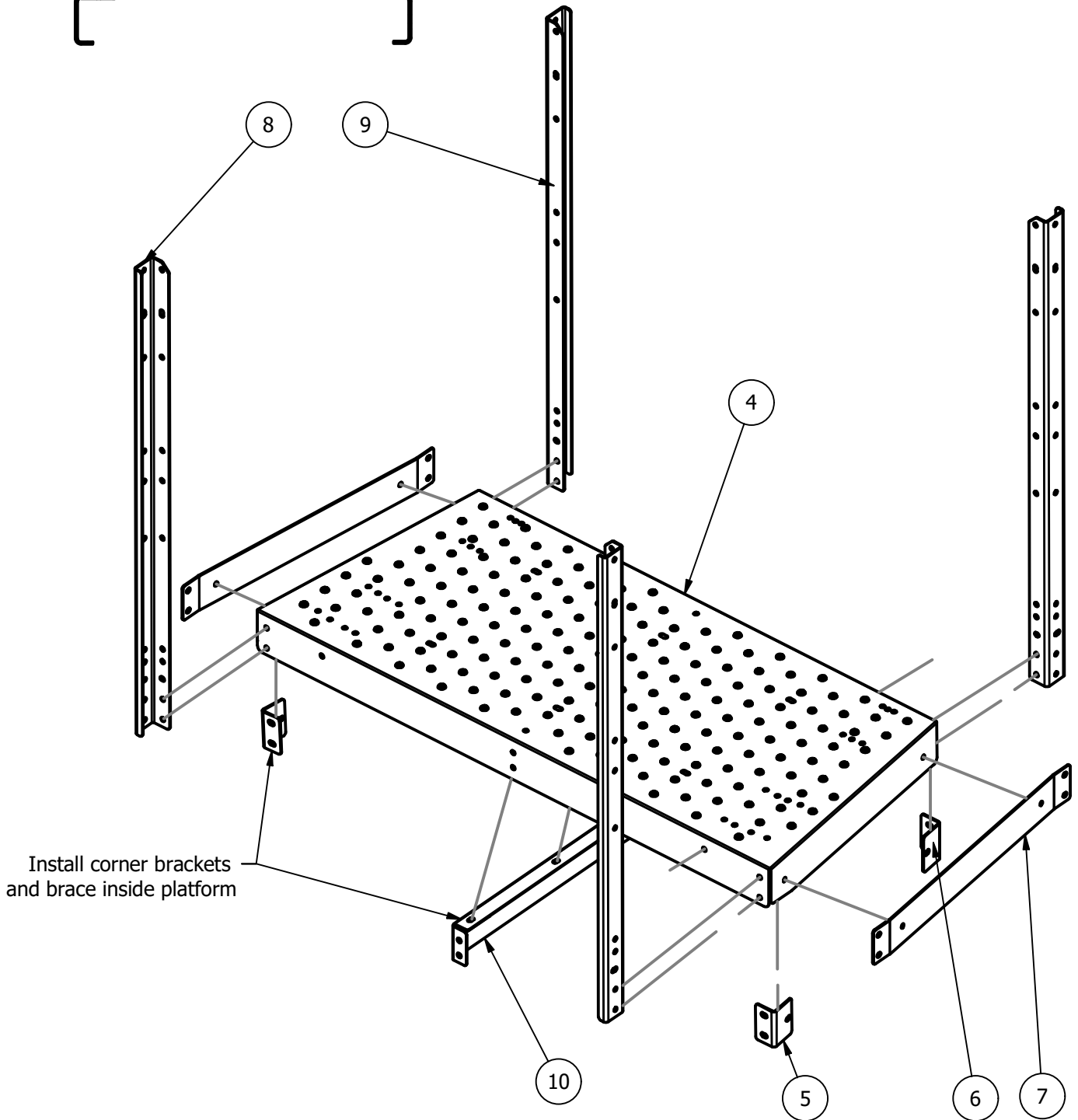
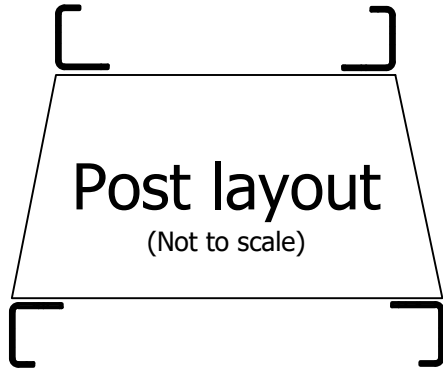
**C-Series Commercial
Platform Assembly**



C-Series
End Platform Assembly
 Posts & Brackets

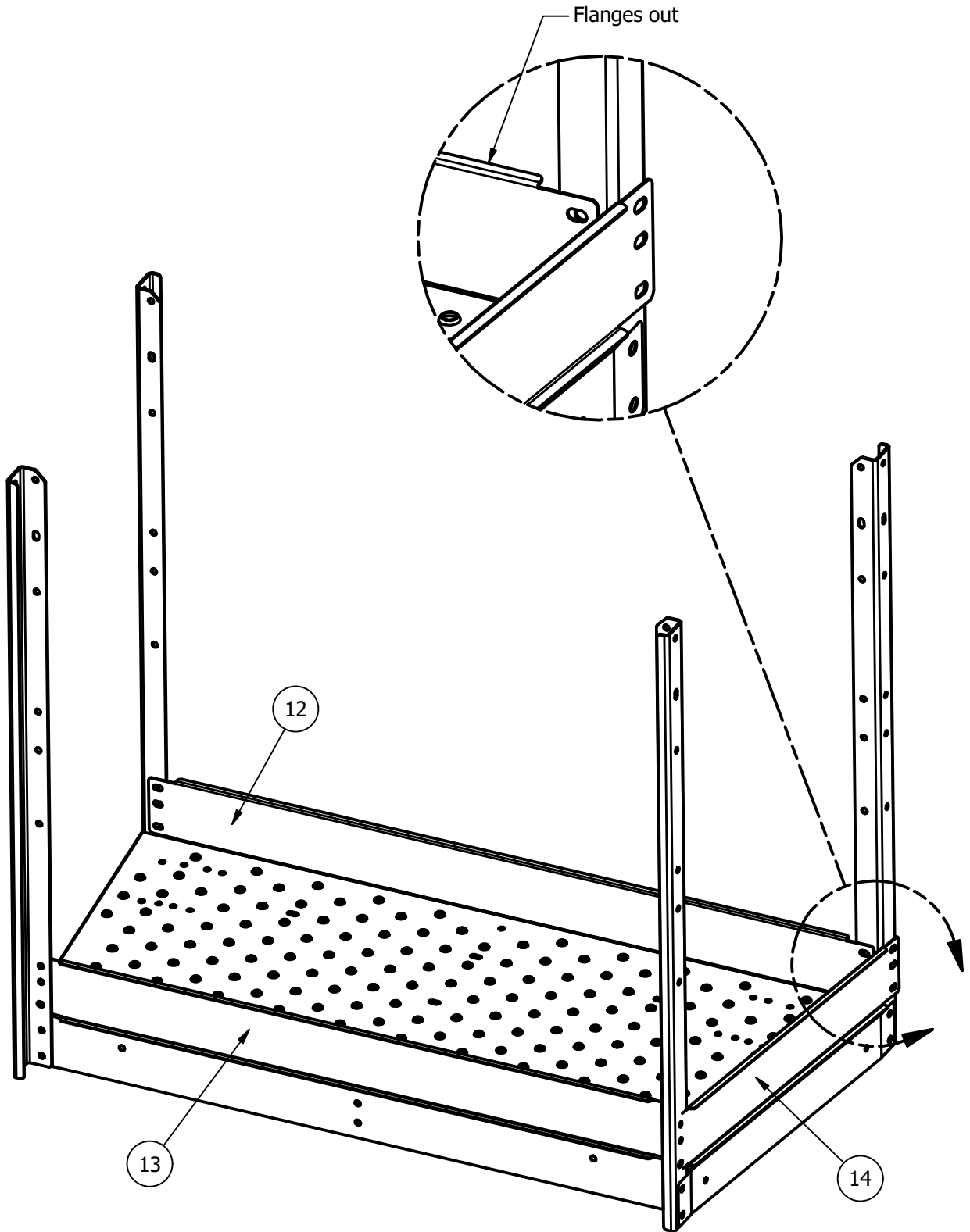
PARTS LIST

ITEM	QTY	PART NUMBER	DESCRIPTION
4	1	CS-F30001	Tread, Platform, Trapezoid 55x24
5	2	CS-40005	Bracket, Brace, Angle, Acute
6	2	CS-40006	Bracket, Brace, Angle, Obtuse
7	2	CS-34414	Bracket, Faceplate
8	2	CS-34500	Angle, Post, J-channel, Right
9	2	CS-34501	Angle, Post, J-channel, Left
10	1	CS-3009	Bracket, Support, Platform



C-Series
End Platform Assembly
 Kickboards

PARTS LIST			
ITEM	QTY	PART NUMBER	DESCRIPTION
12	1	CS-34406	Channel, Kickboard, Outside Long
13	1	CS-34407	Channel, Kickboard, Inside, Long
14	2	CS-34408	Channel, Kickboard, End

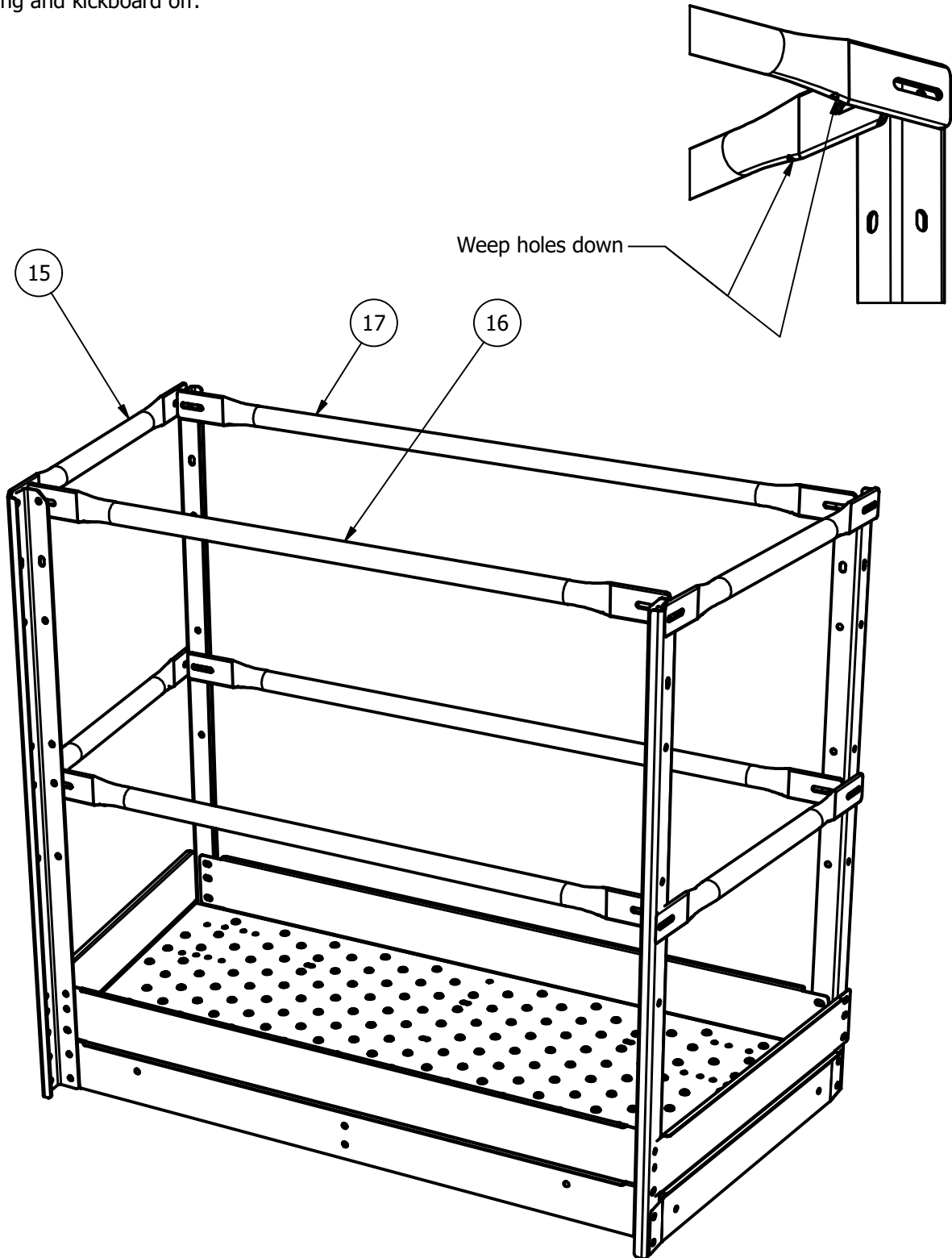


C-Series
End Platform Assembly
 Railing

PARTS LIST			
ITEM	QTY	PART NUMBER	DESCRIPTION
15	4	TRS1502800	28" long 1.5 in tube railing slotted end tabs
16	2	TRS1504800	48" long 1.5 in tube railing slotted end tabs
17	2	TRS1505400	54" long 1.5 in tube railing slotted end tabs

At this stage, railing is provided for all 4 sides of the platform.

Determine which side will provide access to the platform and leave railing and kickboard off.



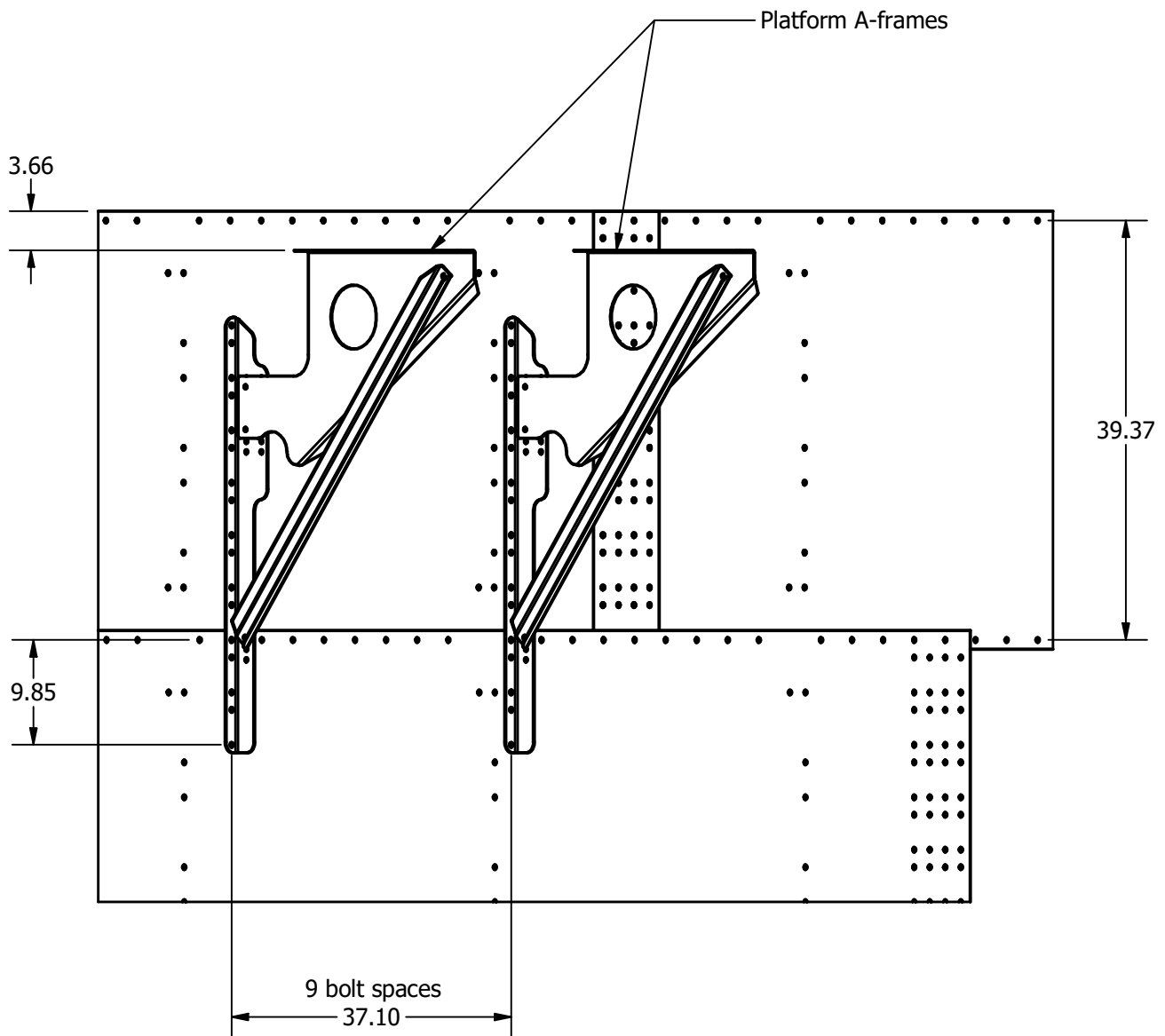
C-Series End Platform, 39"

Wall Bracket Location (Long Platforms)

Platform placement 3.66" below the eave is shown. The wall bracket has a series of mounting holes to allow it to be shifted up or down to achieve an alternate elevation (9.85" below seam). There are also three position adjustments.

The horizontal spacing between the Long Platform wall brackets is 9 bolt spaces, or 37.1"
(Short Platforms use bracket spacing of 7 bolt spaces, or 28.86")

Each platform wall bracket requires 4 bin bolts to be attached to the bin wall, field drilled when necessary.

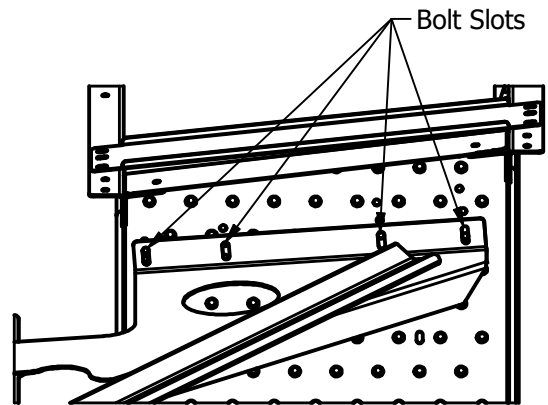
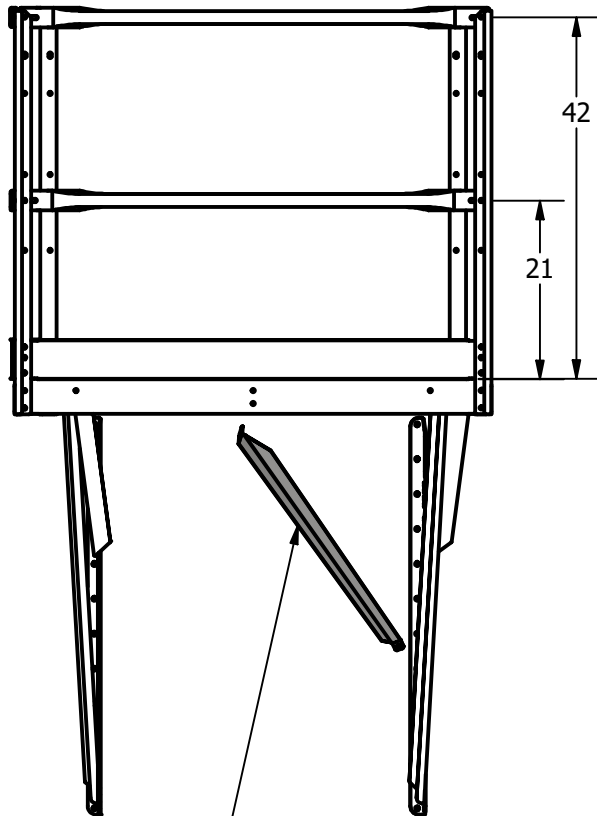
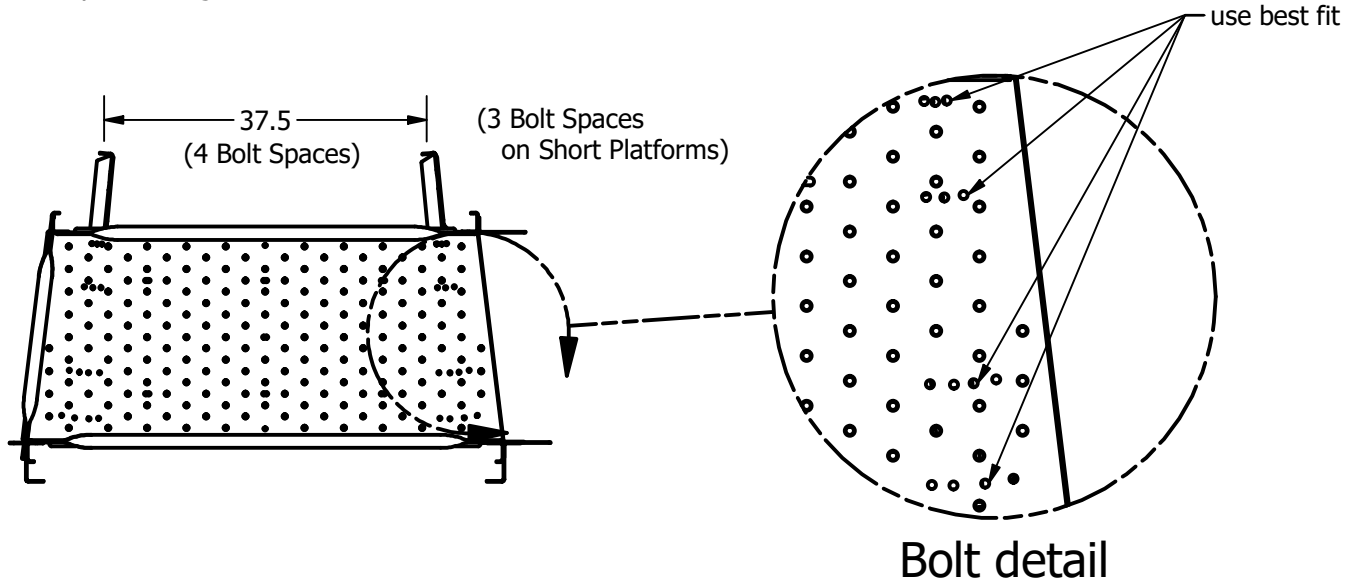


C-Series End Platform Assembly

Center the platform assembly on top of the A-frame wall mounts.

Use 4 bolts to attach each wall mount plate to the platform.

Use the bolt holes in the platform that best align with the A-frame mounts, this will vary according to the bin diameter.



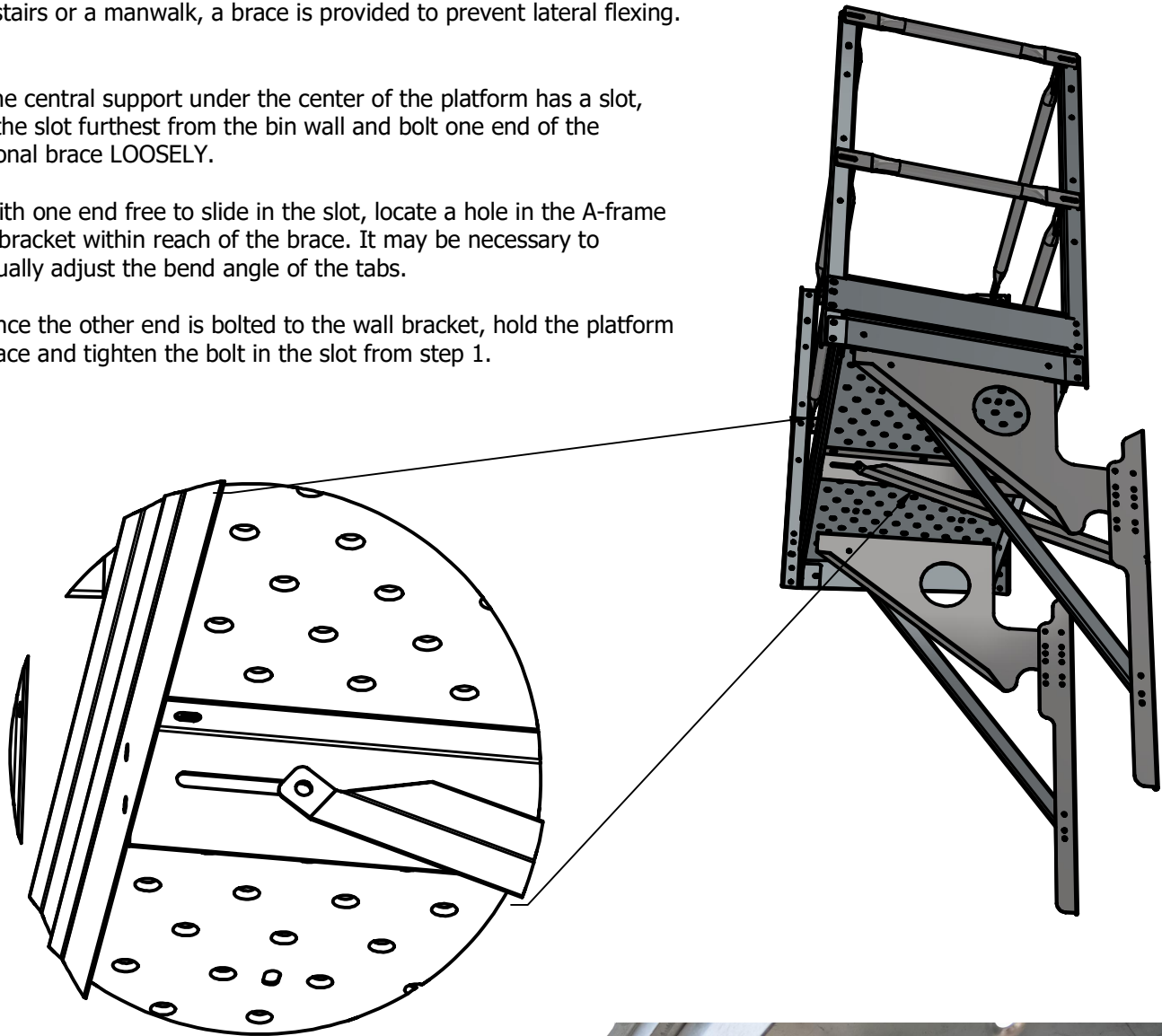
Underside View of Platform Attachment

CS-34415 End Platform Brace
(see next page)

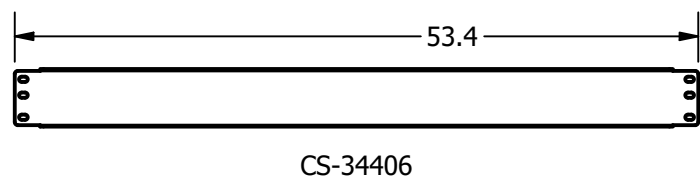
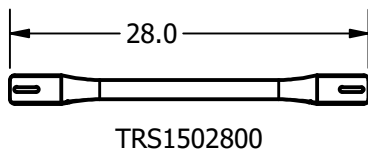
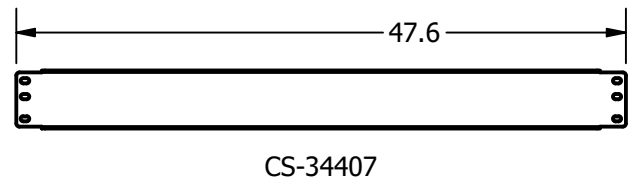
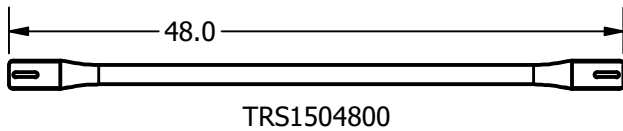
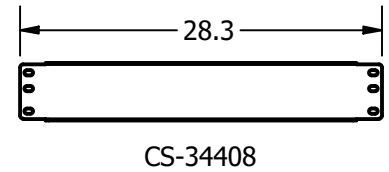
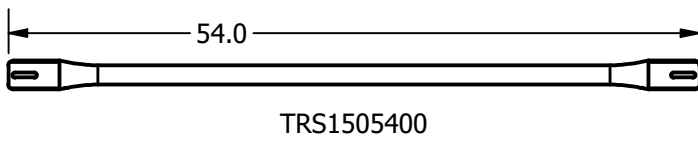
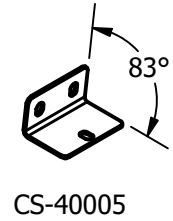
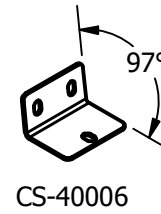
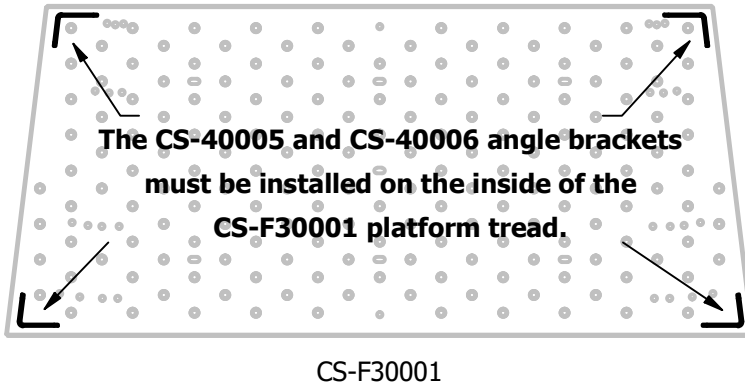
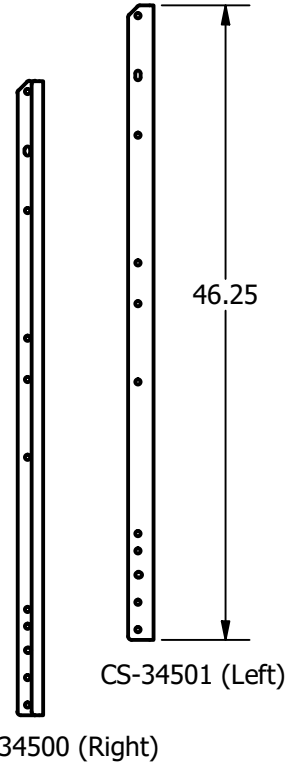
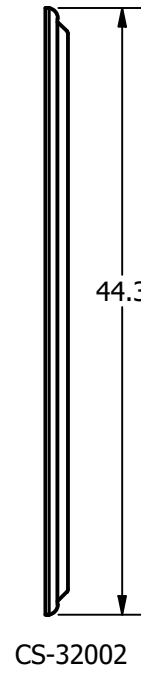
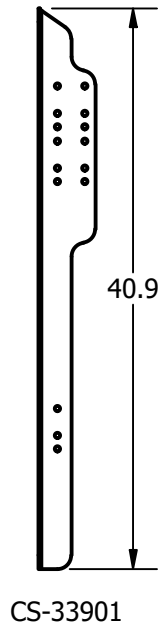
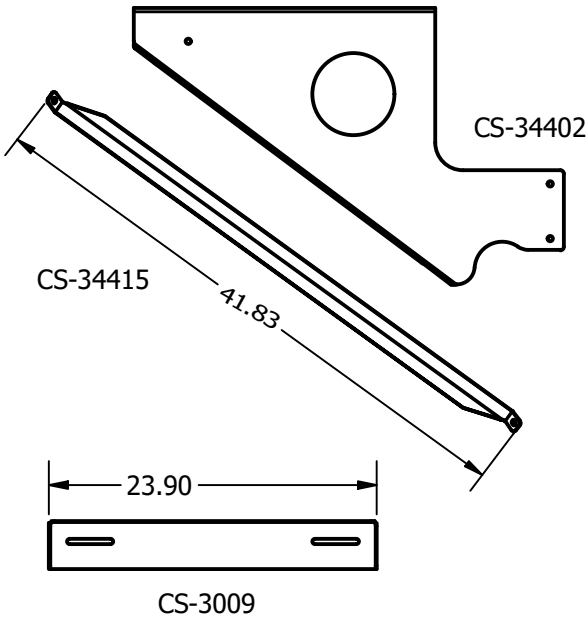
End Platform Diagonal Brace

Because this platform is not attached to an additional support system like stairs or a manwalk, a brace is provided to prevent lateral flexing.

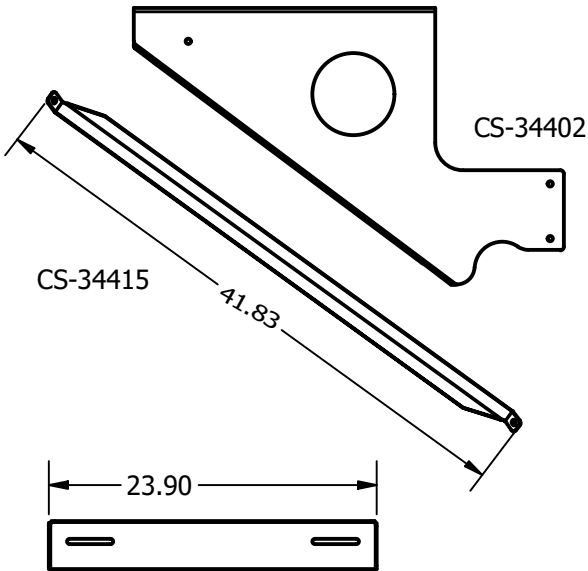
1. The central support under the center of the platform has a slot, use the slot furthest from the bin wall and bolt one end of the diagonal brace LOOSELY.
2. With one end free to slide in the slot, locate a hole in the A-frame wall bracket within reach of the brace. It may be necessary to manually adjust the bend angle of the tabs.
3. Once the other end is bolted to the wall bracket, hold the platform in place and tighten the bolt in the slot from step 1.



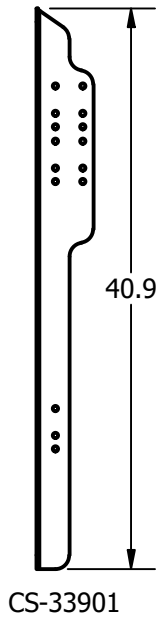
CF3939L
End Platform Parts ID



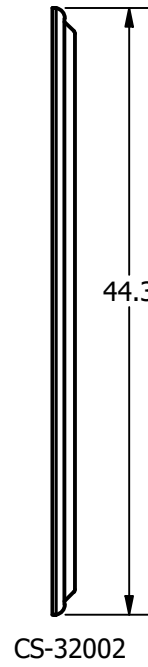
CF3939S
End Platform Parts ID



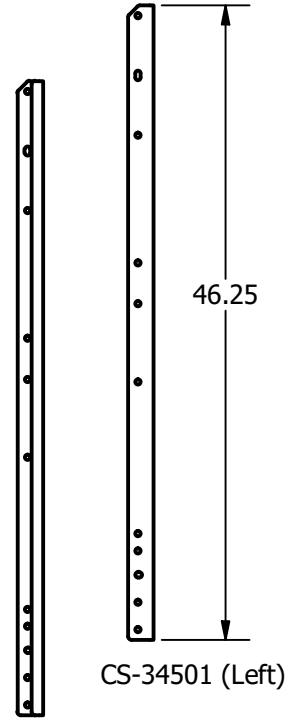
CS-3009



CS-33901



CS-32002



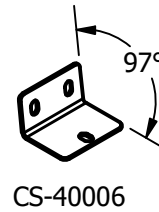
CS-34500 (Right)

CS-34501 (Left)

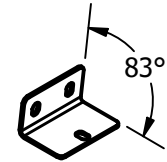


The CS-40005 and CS-40006 angle brackets must be installed on the inside of the CS-F30002 platform tread.

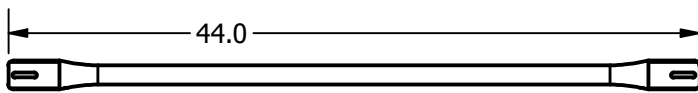
CS-F30002



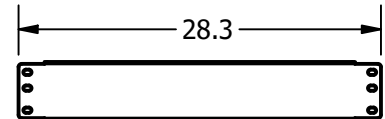
CS-40006



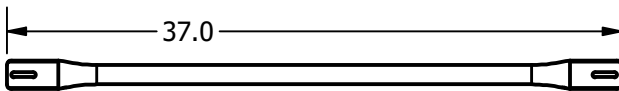
CS-40005



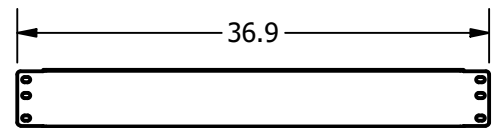
TRS1504400



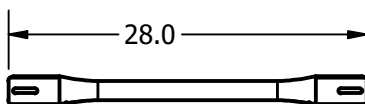
CS-34408



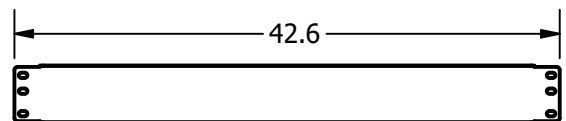
TRS1503700



CS-34409



TRS1502800



CS-34410