

## C-Series Sidewall Stairs

### 32" Farm Duty Assembly Instructions

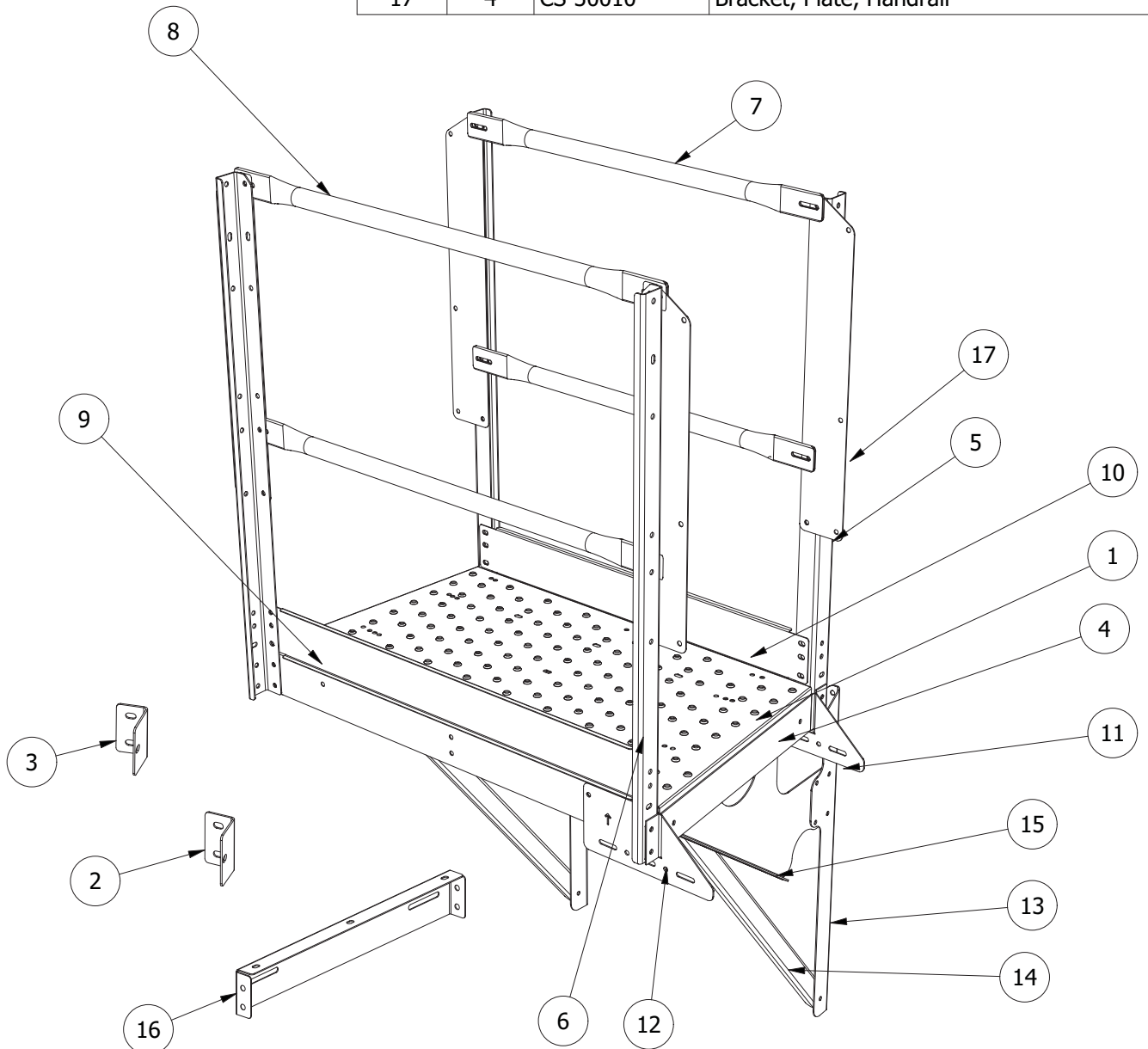
CF3632S, C-Series Farm 32" Stair Rest Platform, Short

CF3632L, C-Series Farm 32" Stair Rest Platform, Long

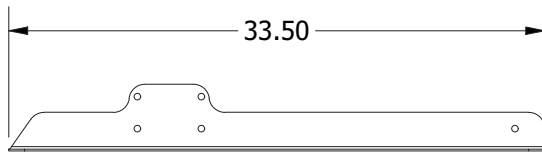


**CF3632S Parts List,  
C-Series 32" Farm  
Rest Platform Short**

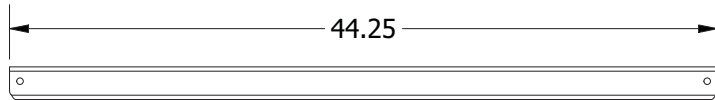
PARTS LIST			
ITEM	QTY	PART NUMBER	DESCRIPTION
1	1	CS-F30002	Tread, platform, Short, Trapezoid 44x24
2	2	CS-40006	Bracket, Brace, Obtuse
3	2	CS-40005	Bracket, Brace, Acute
4	2	CS-34414	Bracket, Faceplate
5	2	CS-34500	Angle, Post, J-channel, Right
6	2	CS-34501	Angle, Post, J-channel, Left
7	2	TRS1503700	37 Long 1.5 in tube railing slotted end tabs
8	2	TRS1504400	44 Long 1.5 in tube railing slotted end tabs
9	1	CS-34410	Channel, Kickboard, Outside, Short
10	1	CS-34409	Channel, Kickboard, Inside, Short
11	1	CS-40410	Lower Stringer Extension, Right 44
12	1	CS-40411	Lower Stringer Extension, Left 44
13	2	CS-33201	Bracket, Wall, 32 Platform
14	2	CS-32002	Channel, K-Brace, C-Series
15	2	CS-34402	Brace, Plate, Platform
16	1	CS-3009	Bracket, Support, Platform
17	4	CS-30010	Bracket, Plate, Handrail



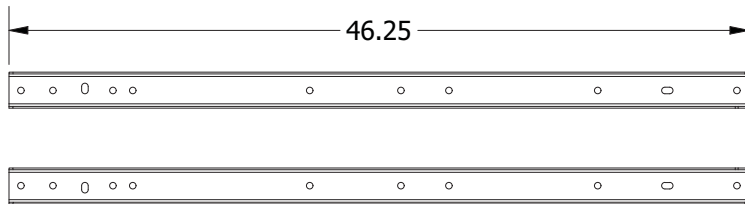
# CF3632S Parts ID



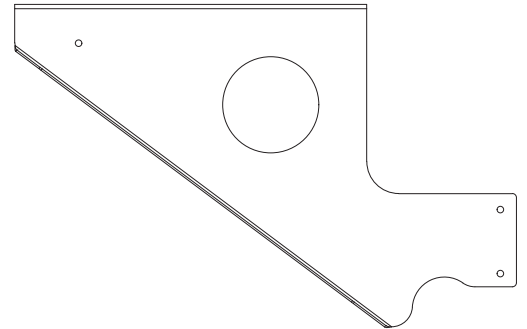
CS-33201



CS-32002

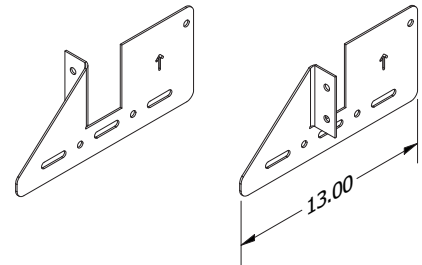


CS-34500 (Right), CS-34501 (Left)



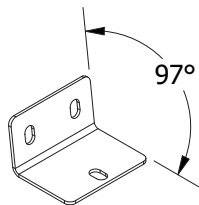
CS-34402

CS-40411, CS-40410

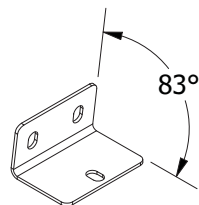


**Note**

**The CS-40005 and CS-40006 angle brackets must be installed on the inside of the CS-F30002 platform tread.**



CS-40006

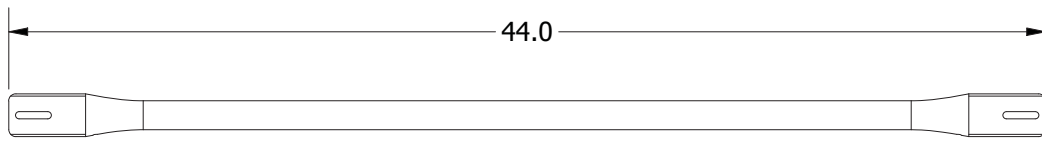


CS-40005

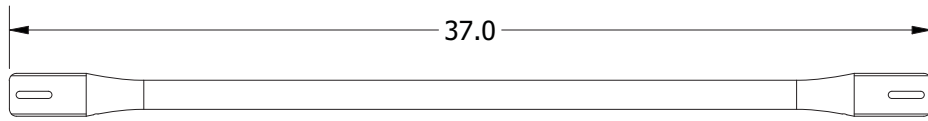


CS-F30002

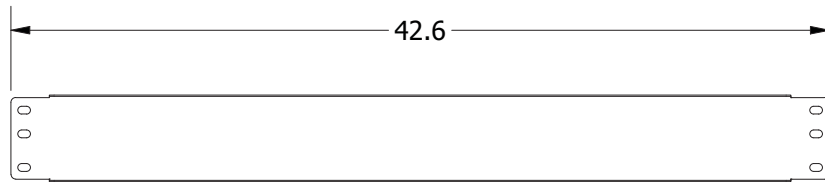
# CF3632S Parts ID



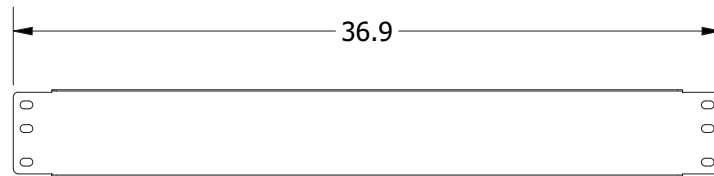
TR1504400



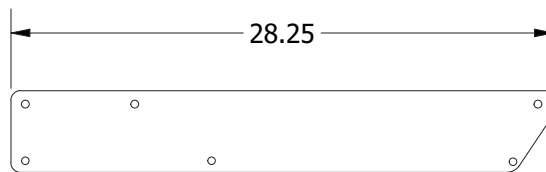
TR1503700



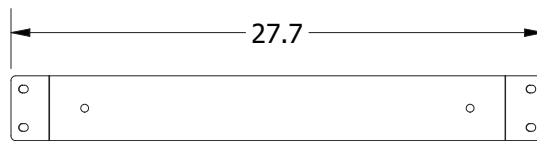
CS-34410



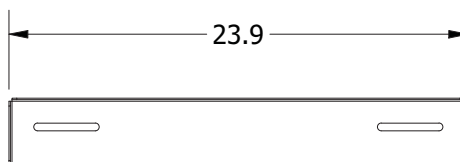
CS-34409



CS-30010



CS-34414



CS-3009

# Rest Platform Horizontal Bolt Spacing

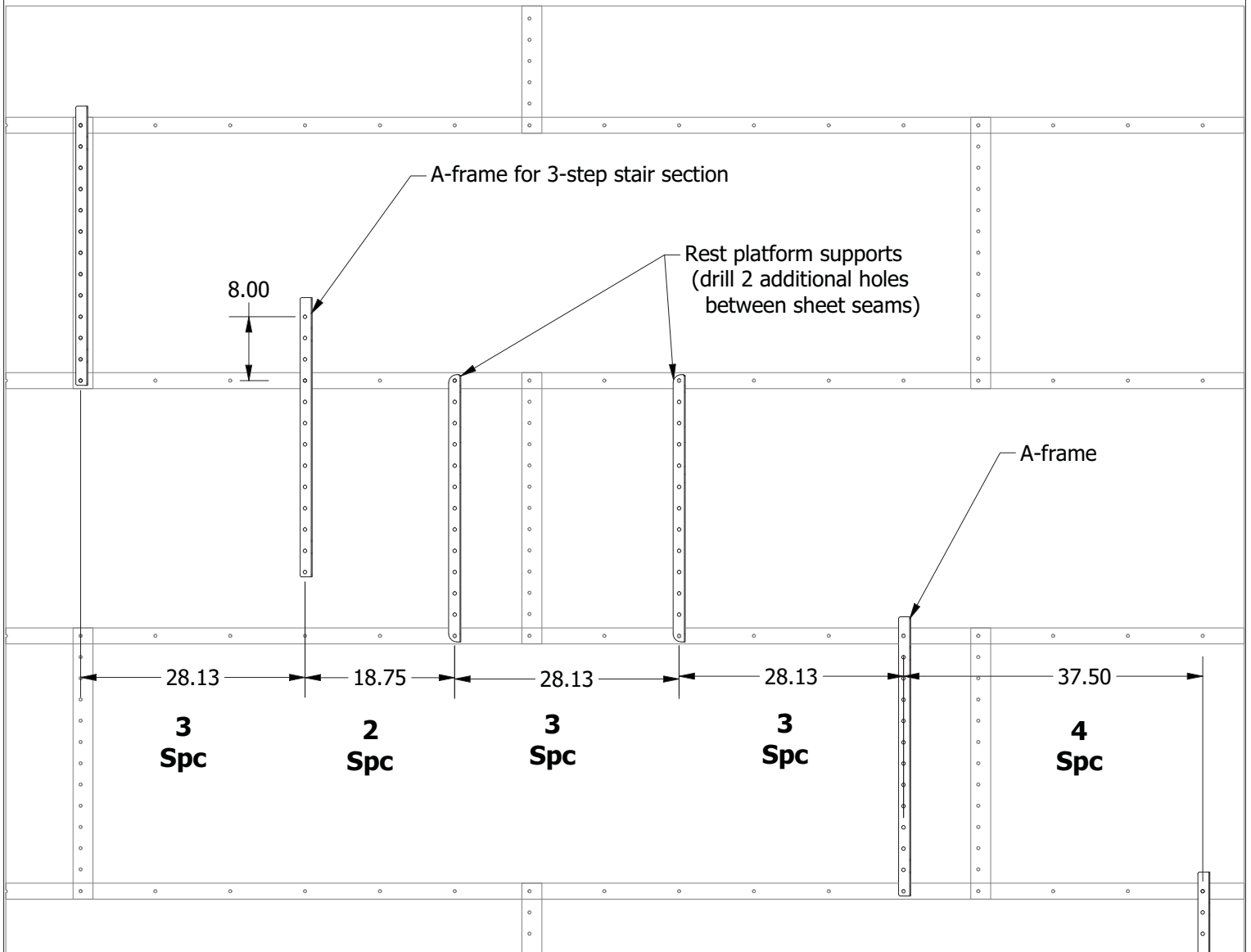
## C-Series 32" Short Platform

The recommended spacing for rest landing supports is illustrated below.

A 3-step stair section is used above the landing platform, supported with an A-frame at 3 bolt spaces over (28-1/8") and 8" above the seam.

The landing platform is supported on two triangular braces, 2 bolt spaces from the A-frame with 3 bolt spaces between the supports.

The following A-frame is 3 bolt spaces away, then the layout returns to 4 bolt spaces (37-1/2").



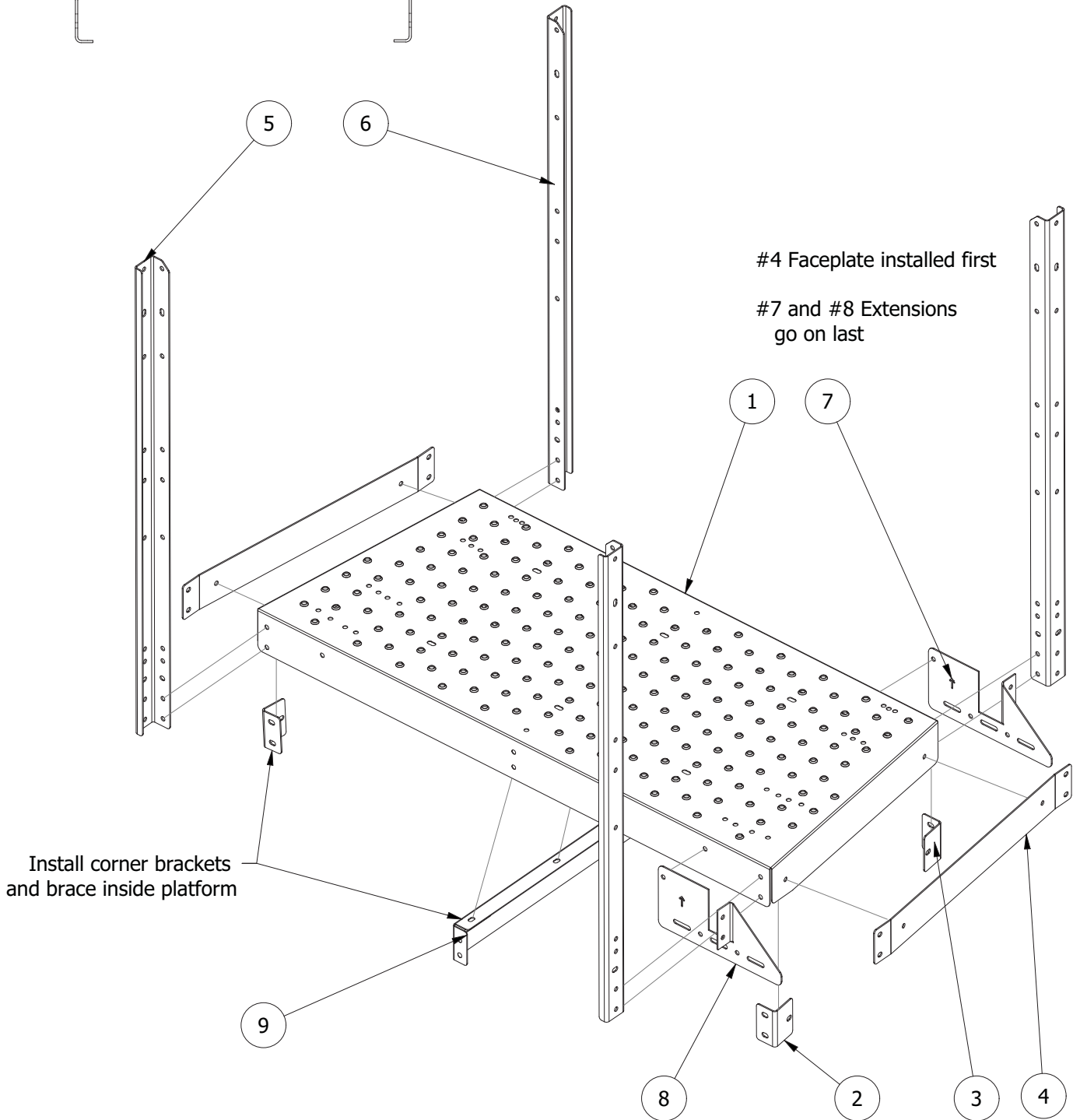
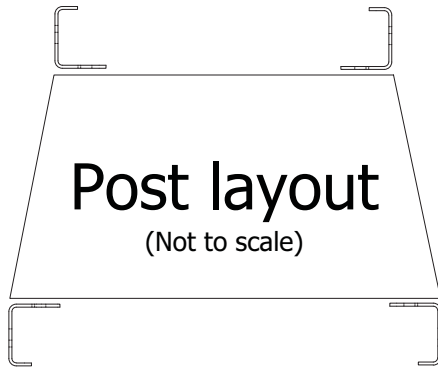
# C-Series Farm Platform Assembly



**C-Series Farm  
Platform Assembly**  
Posts & Brackets

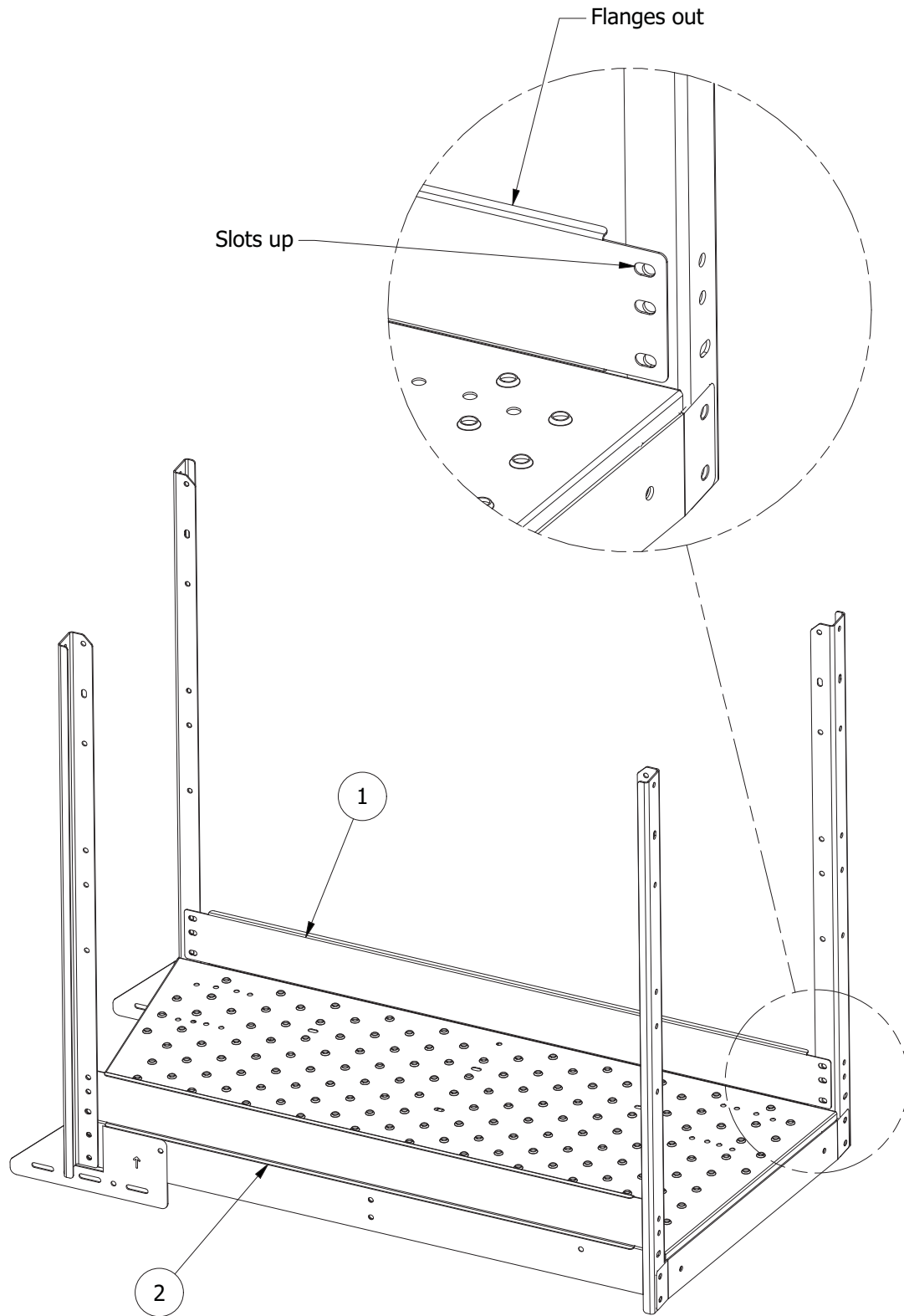
**PARTS LIST**

ITEM	QTY	PART NUMBER	DESCRIPTION
1	1	CS-F30001	Tread, Platform, Trapezoid 55x24
2	2	CS-40005	Bracket, Brace, Angle, Acute
3	2	CS-40006	Bracket, Brace, Angle, Obtuse
4	2	CS-34414	Bracket, Faceplate
5	2	CS-34500	Angle, Post, J-channel, Right
6	2	CS-34501	Angle, Post, J-channel, Left
7	1	CS-40410	Lower Stringer Extension, Right
8	1	CS-40411	Lower Stringer Extension, Left
9	1	CS-3009	Bracket, Support, Platform



# C-Series Farm Platform Assembly

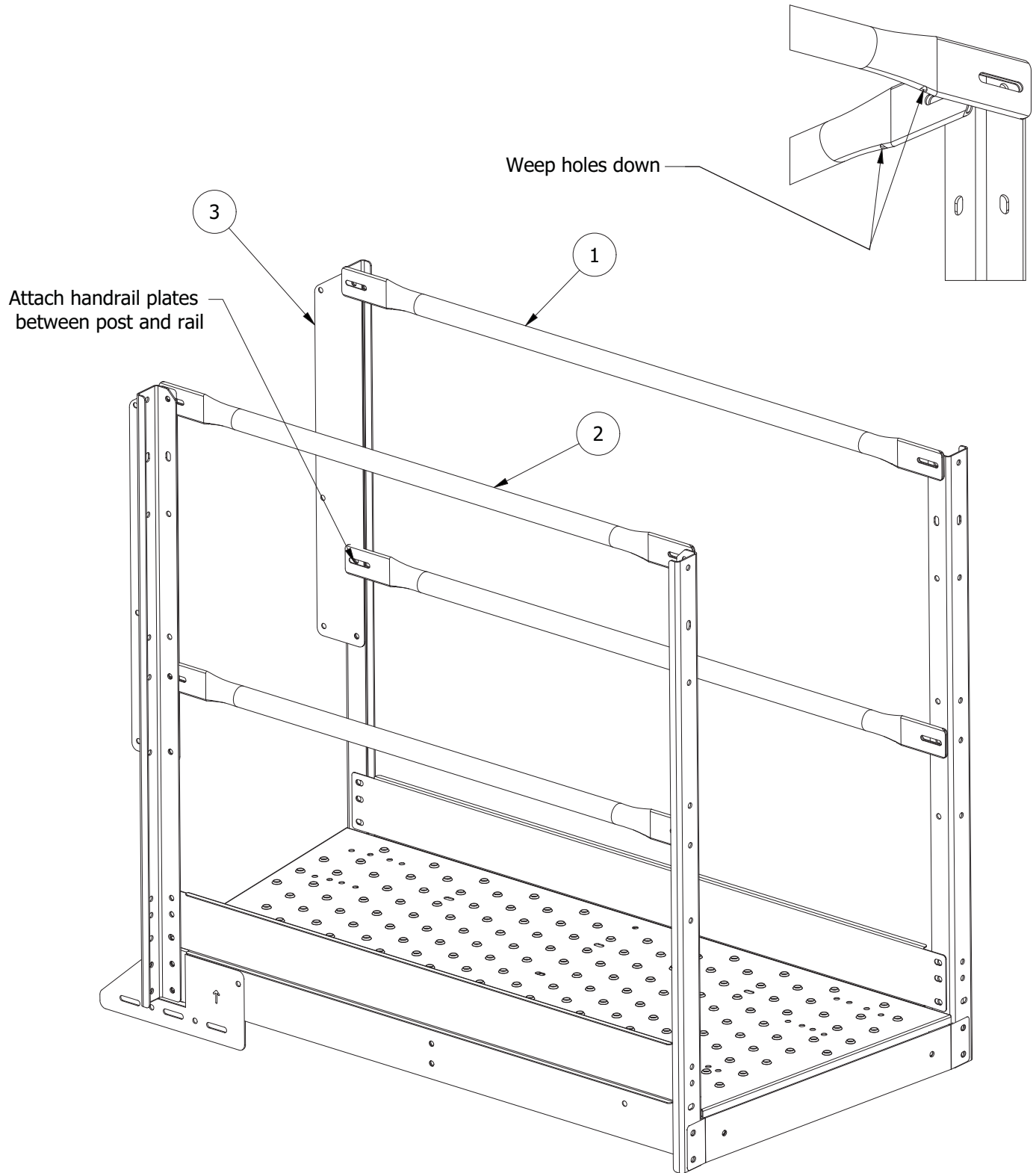
PARTS LIST			
ITEM	QTY	PART NUMBER	DESCRIPTION
1	1	CS-34406	Channel, Kickboard, Outside Long
2	1	CS-34407	Channel, Kickboard, Inside, Long





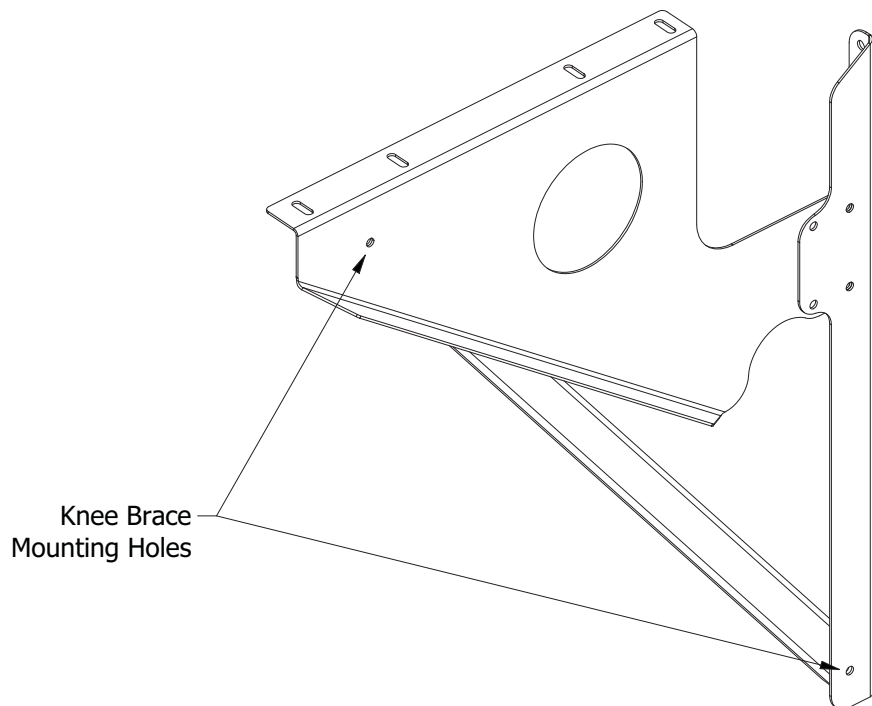
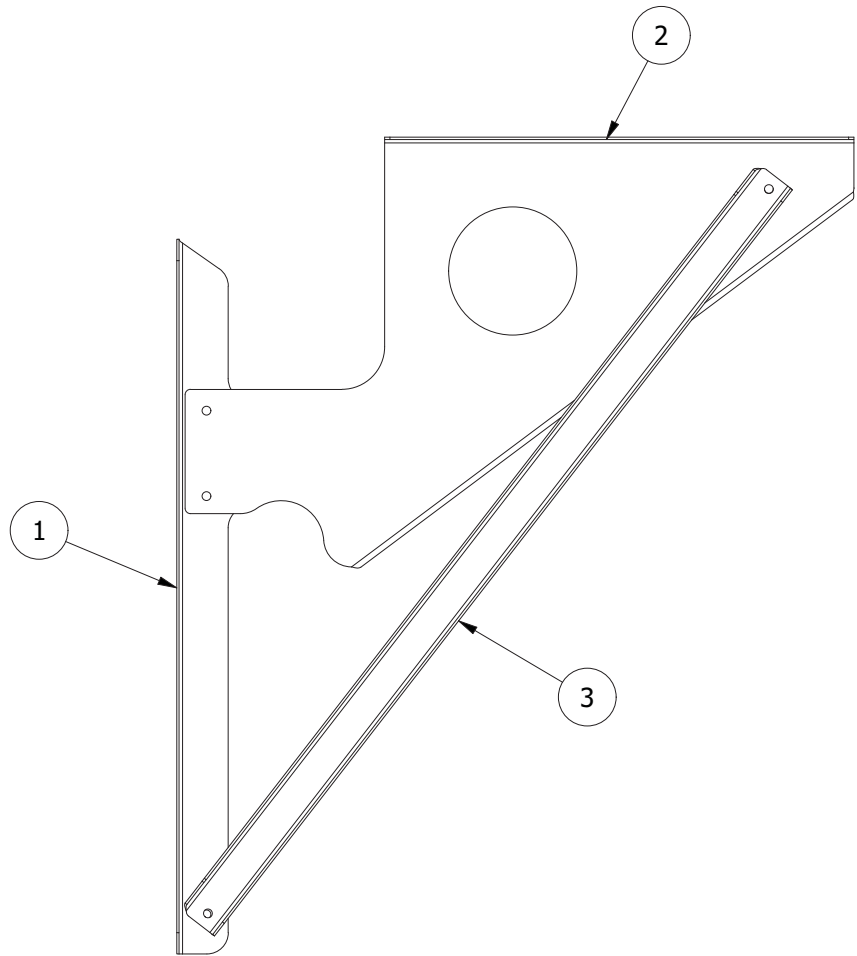
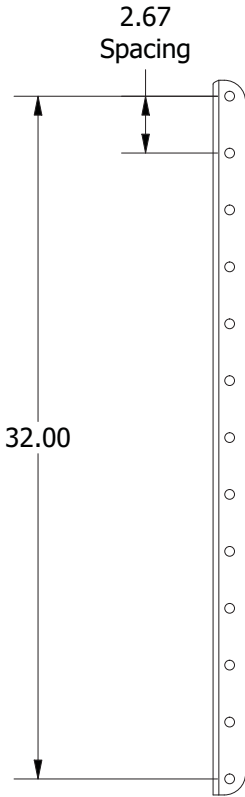
# C-Series Farm Platform Assembly

PARTS LIST			
ITEM	QTY	PART NUMBER	DESCRIPTION
1	2	TRS1505400	54" long 1.5 in tube railing slotted end tabs
2	2	TRS1504800	48 Long 1.5 in tube railing slotted end tabs
3	2	CS-30010	Bracket, Plate, Handrail



# C-Series Wall Bracket 32" Platform Support

PARTS LIST			
ITEM	QTY	PART NUMBER	DESCRIPTION
1	1	CS-33201	Bracket, Wall, 32 Platform
2	1	CS-34402	Brace, Plate, Platform
3	1	CS-32002	Channel, K-Brace, C-Series

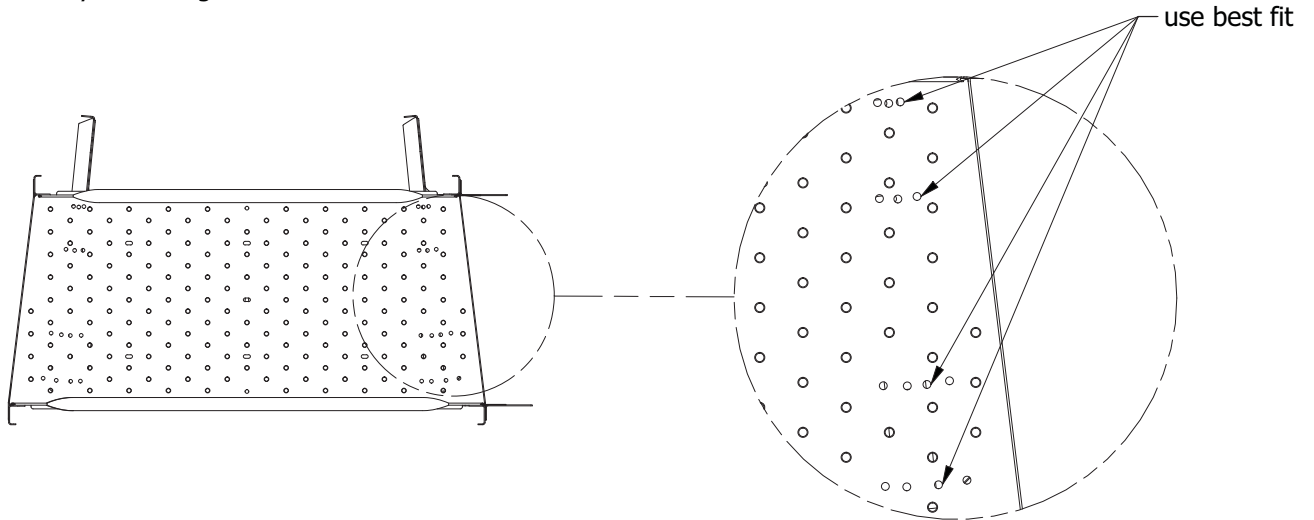


## C-Series Farm Platform Assembly

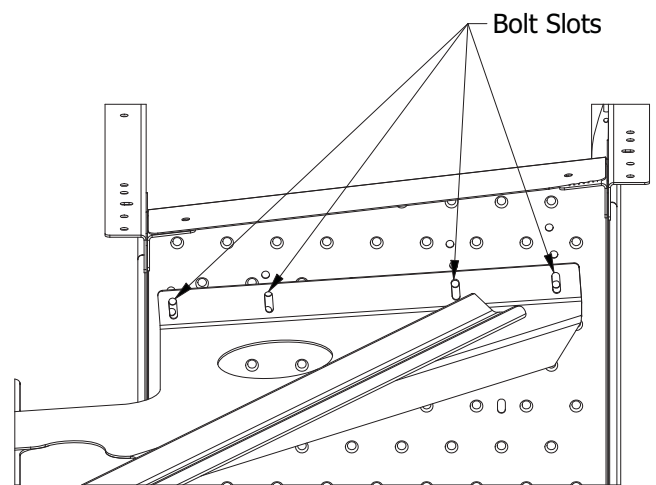
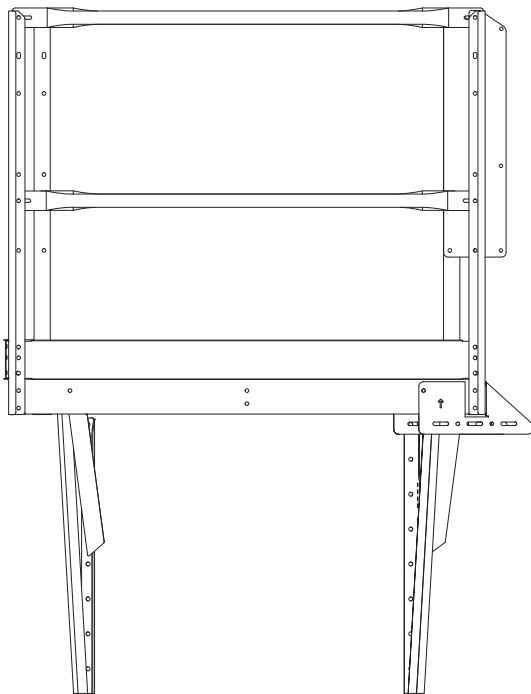
Center the platform assembly on top of the A-frame wall mounts.

Use 4 bolts to attach each wall mount plate to the platform.

Use the bolt holes in the platform that best align with the A-frame mounts, this will vary according to the bin diameter.



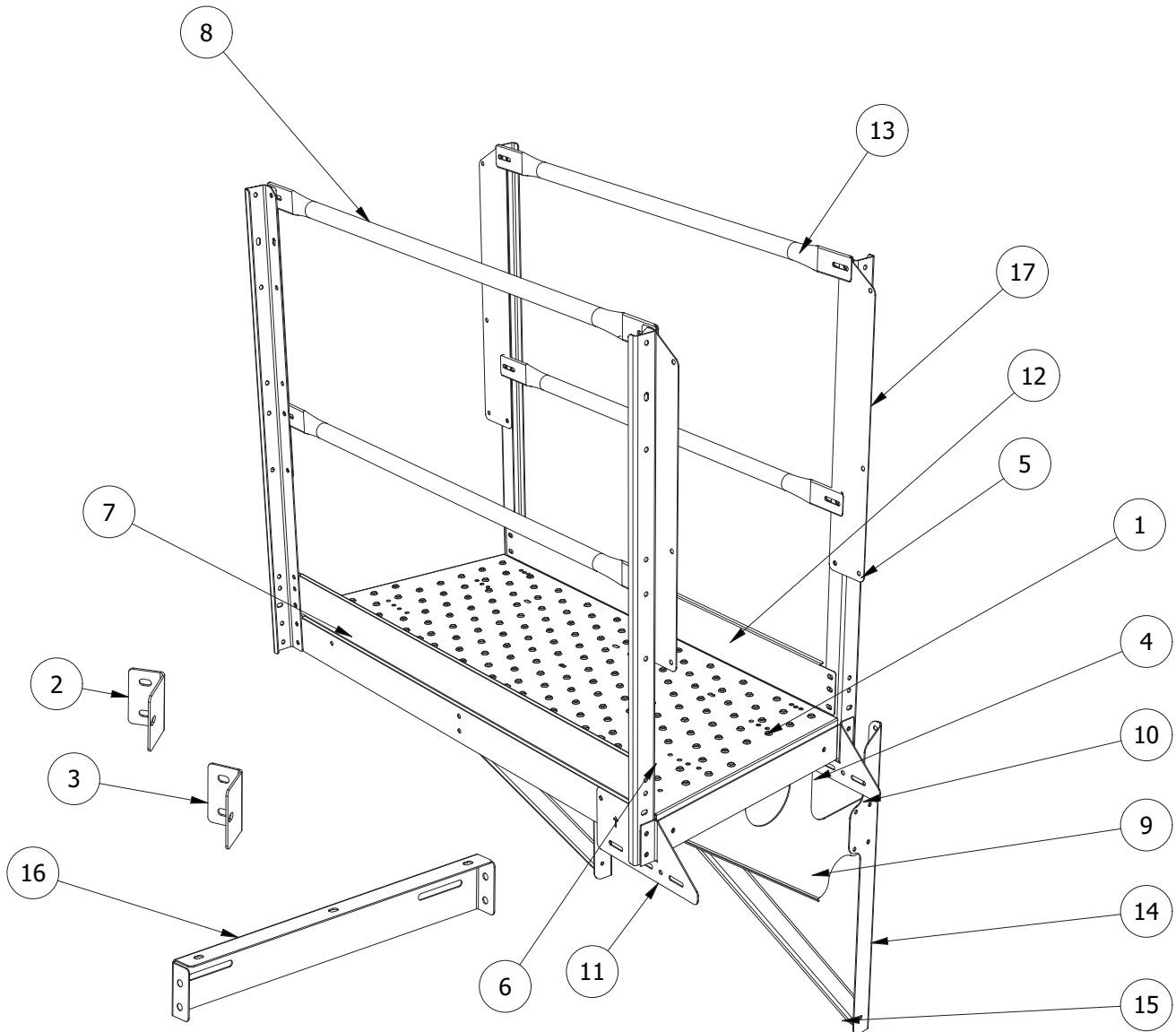
**Bolt detail**



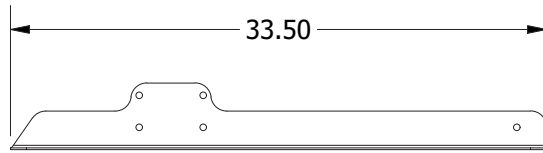
**Underside View of  
Platform Attachment**

**CF3632L Parts List,  
C-Series 32" Farm  
Rest Platform Long**

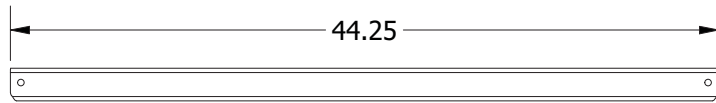
PARTS LIST			
ITEM	QTY	PART NUMBER	DESCRIPTION
1	1	CS-F30001	Tread, Platform, Long, Trapezoid 55x24
2	2	CS-40005	Bracket, Brace, Acute
3	2	CS-40006	Bracket, Brace, Obtuse
4	2	CS-34414	Bracket, Faceplate
5	2	CS-34404	Angle, Post, J-channel, Right
6	2	CS-34501	Angle, Post, J-channel, Left
7	1	CS-34406	Channel, Kickboard, Outside Long
8	2	TRS1505400	54" long 1.5 in tube railing slotted end tabs
9	2	CS-34402	Brace, Plate, Platform
10	1	CS-40410	Lower Stringer Extension, Right
11	1	CS-40411	Lower Stringer Extension, Left
12	1	CS-34407	Channel, Kickboard, Inside Long
13	2	TRS1504800	48 Long 1.5 in tube railing slotted end tabs
14	2	CS-33201	Bracket, Wall, 32 Platform
15	2	CS-32002	Channel, K-Brace, C-Series
16	1	CS-3009	Bracket, Support, Platform
17	4	CS-30010	Bracket, Plate, Handrail



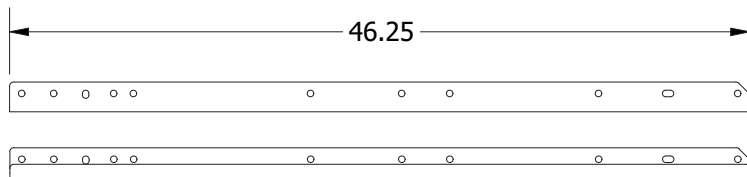
# CF3632L Parts ID



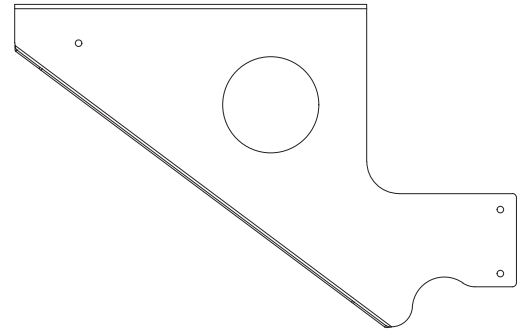
CS-33201



CS-32002

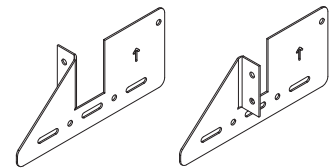


CS-34500 (Right), CS-34501 (Left)



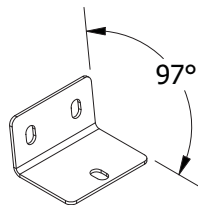
CS-34402

CS-40411, CS-40410

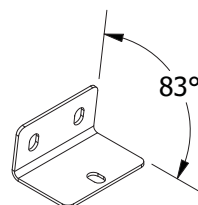


**Note**

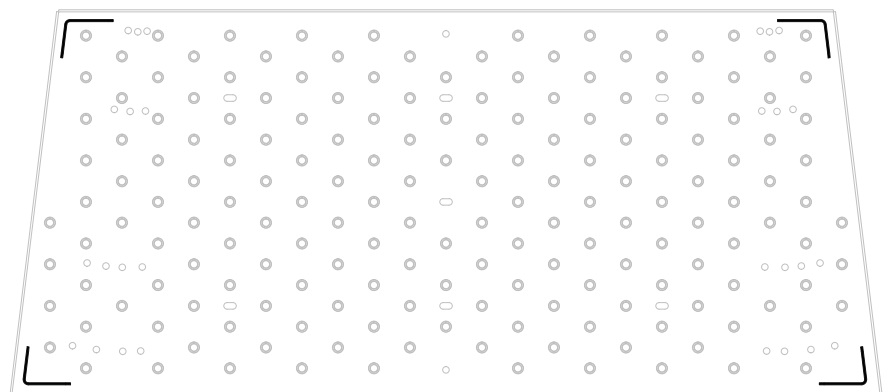
**The CS-40005 and CS-40006 angle brackets must be installed on the inside of the CS-F30001 platform tread.**



CS-40006

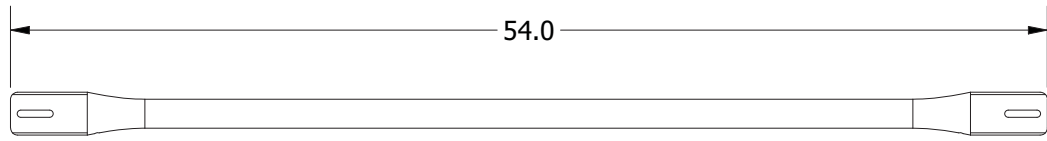


CS-40005

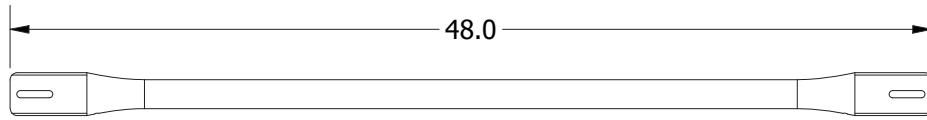


CS-F30001

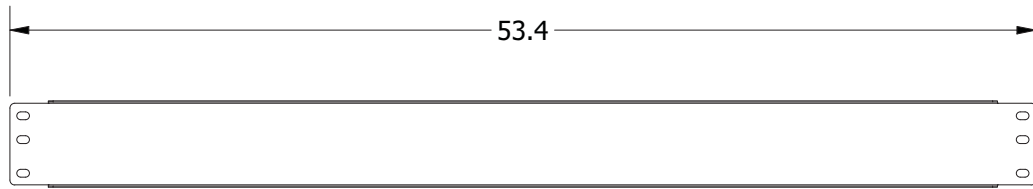
# CF3632L Parts ID



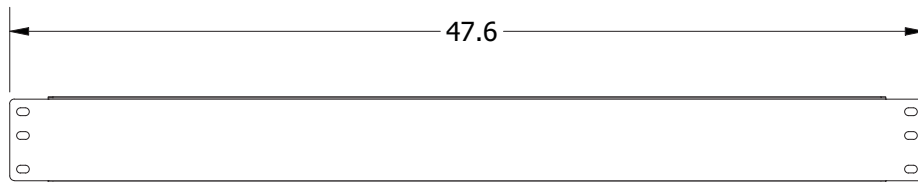
TR1505400



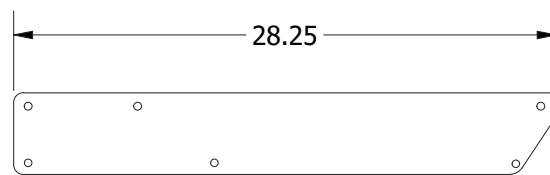
TR1504800



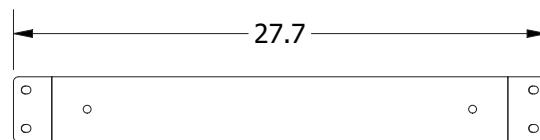
CS-34406



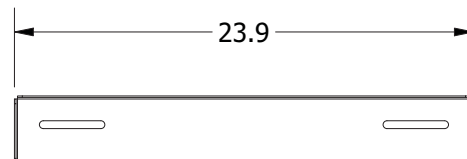
CS-34407



CS-30010



CS-34414



CS-3009