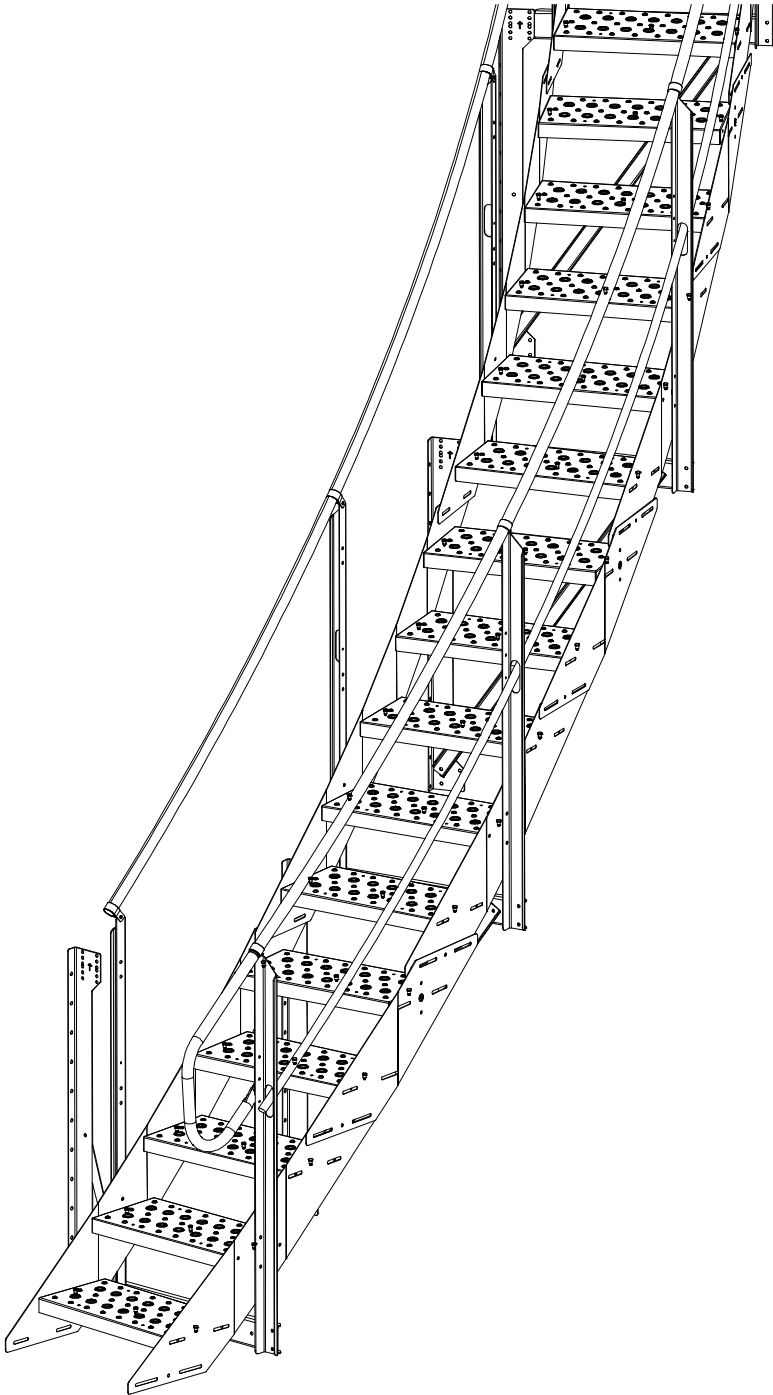
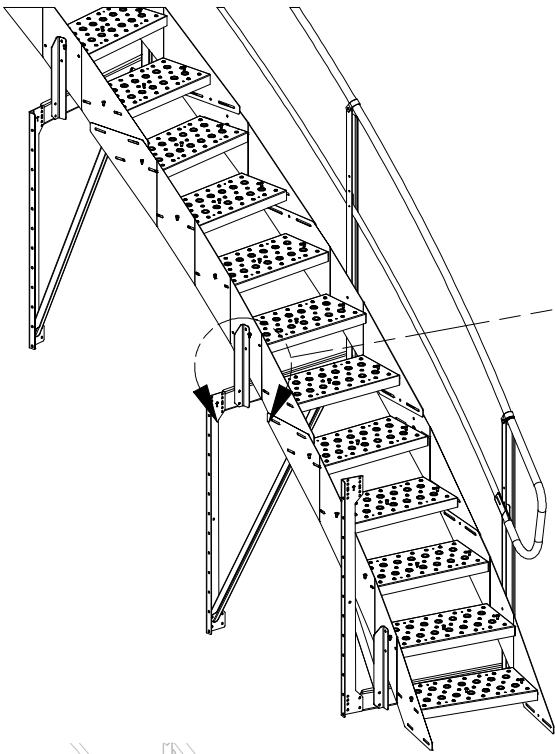


# CF0001 Inside Rail Upgrade Kit

## Assembly Instructions



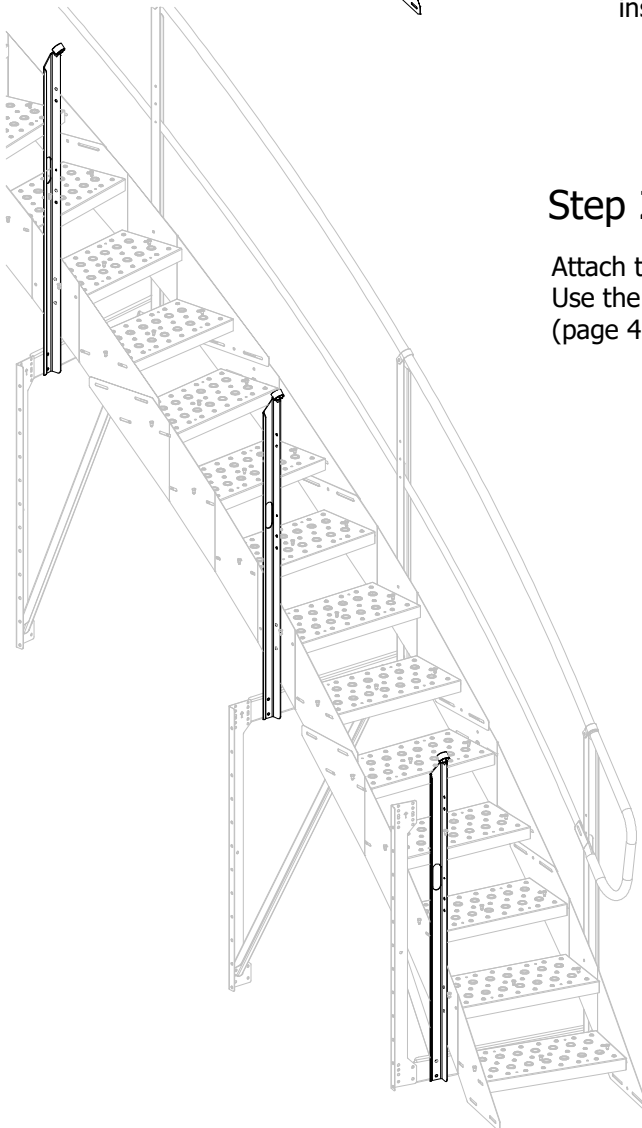
## Step 1: Replace Inside Posts



remove hardware,  
save for new post

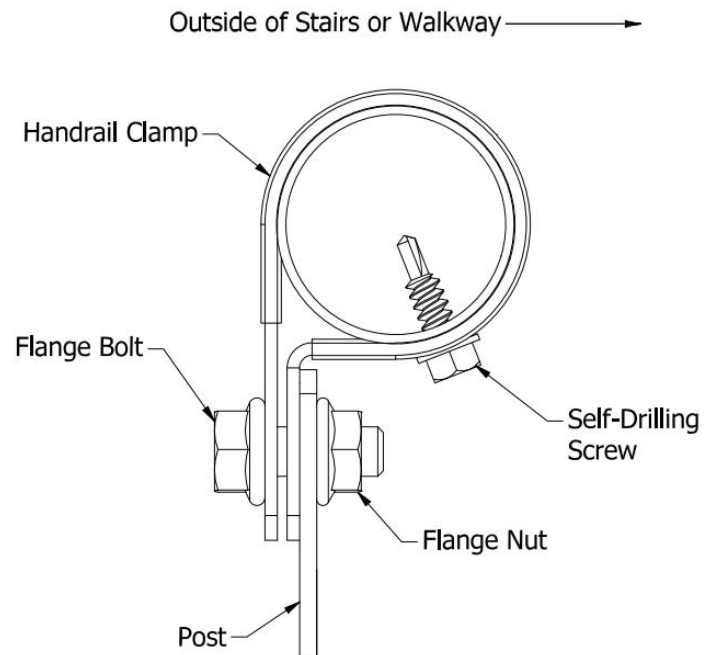
Farm duty stairs have short inside posts, to add inside handrail, these posts must be replaced. Remove the four bolts in the short post on the bottom stair section and re-use the hardware to attach the tall post.

DO NOT remove the next short post until the lower section has been firmly attached, or the stairs will not remain sufficiently supported during installation.



## Step 2: Attach P-clamps

Attach the P-clamps to the posts as shown in the detail view. Use the self-drilling screws after the handrail tubing has been inserted. (page 4)

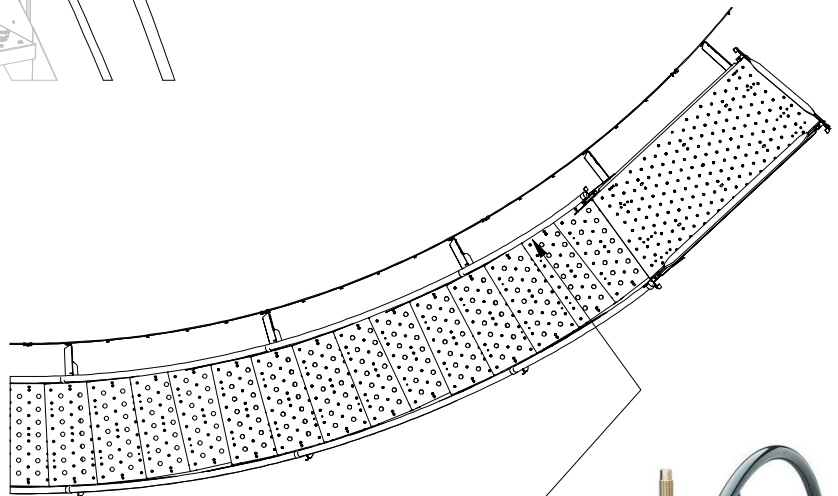
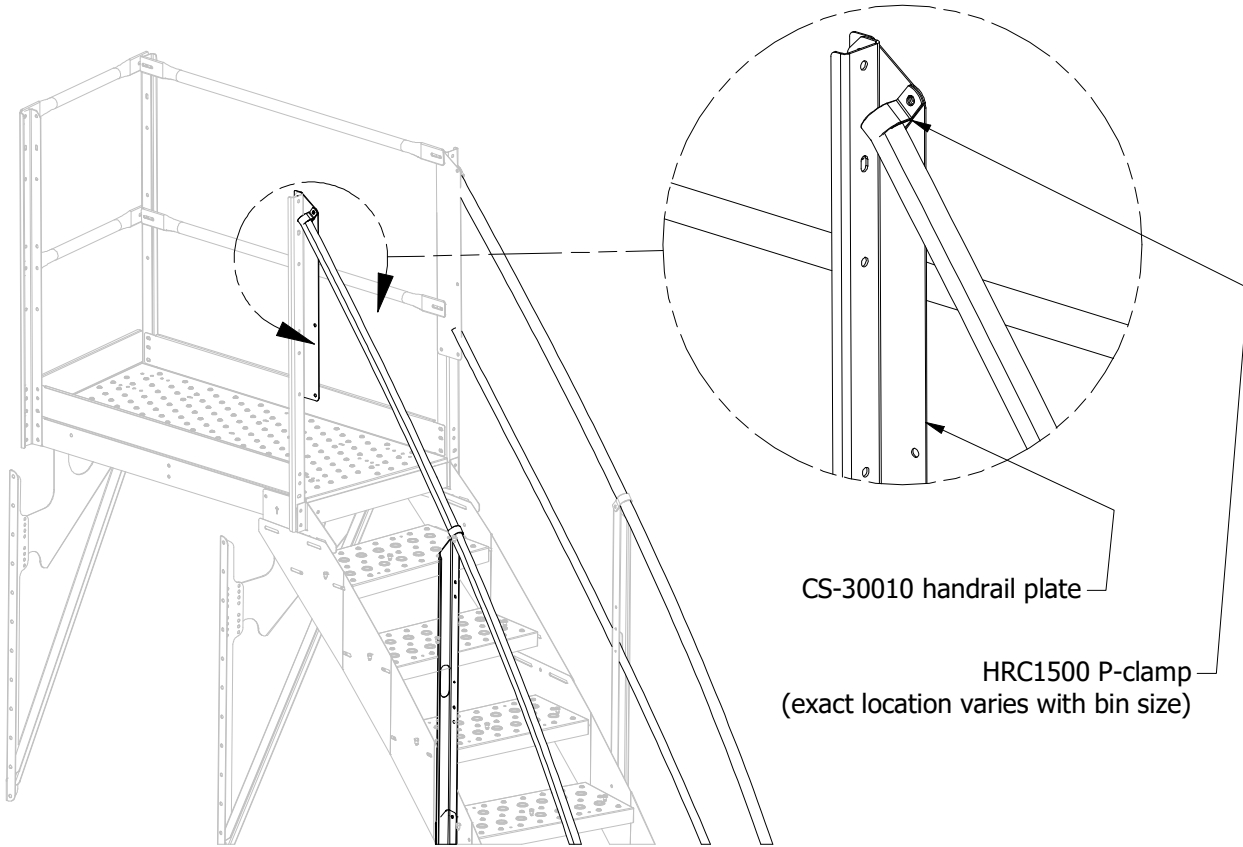
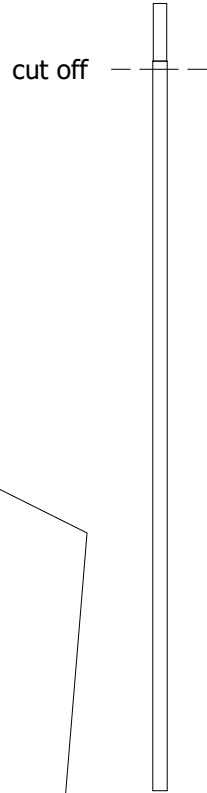


**Detail of Handrail Clamp Assembly**

### Step 3: Install Handrail Tubing

The tubing should be installed starting at the top, where it ties into the platform using CS-30010 handrail plate. If the platform is missing the inside handrail plate, this part is provided as part of CF0001.

The tubing should always be installed with the swaged (tapered) end pointing up, so the first tube should be cut as shown. Insert one of the provided pipe caps to the cut end to prevent moisture entry.



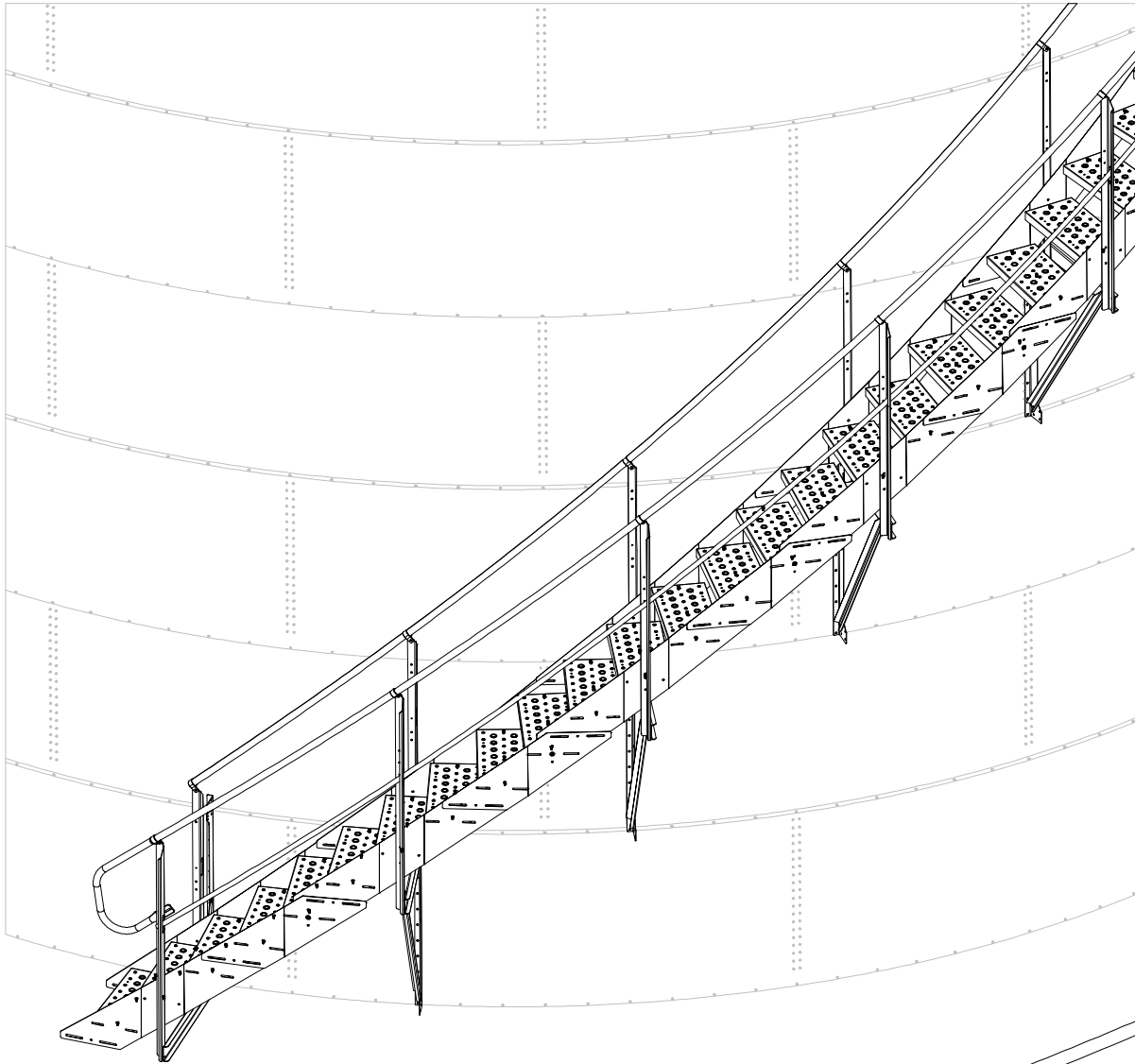
Tubing must be pre-rolled or formed to fit the bin curvature. Use of a roller is recommended.



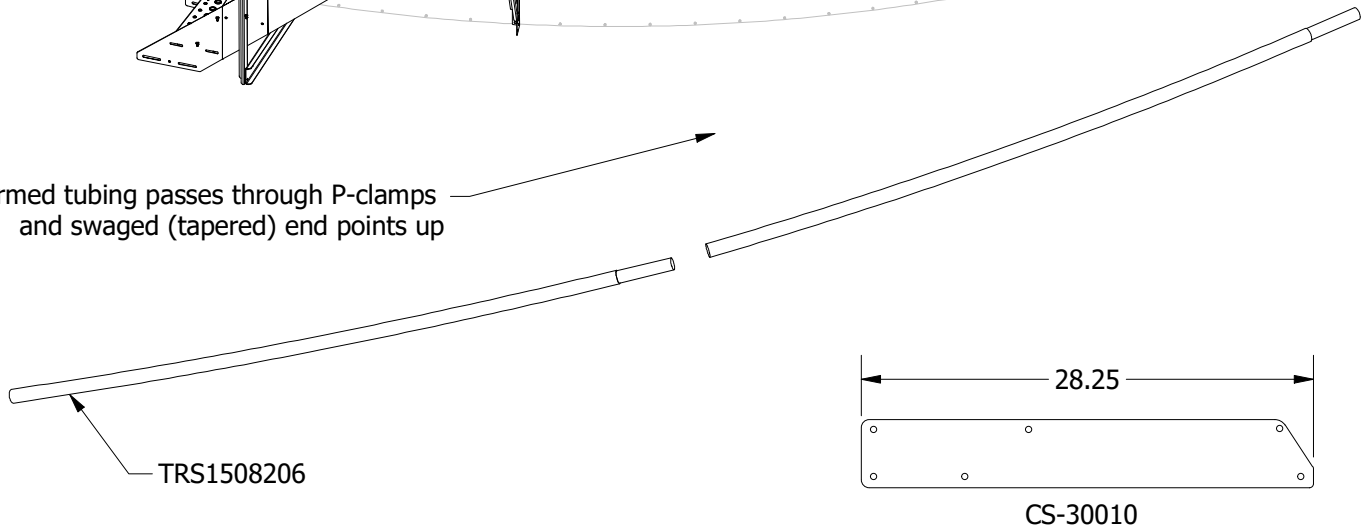
View of handrail detail at platform

## Step 4: Secure Handrail (see P-clamp detail, page 2)

Form the tubing and work from the top down, cutting the last section to length ~1" past the P-clamp on the bottom post. Cap the lower end to prevent moisture/insect entry.



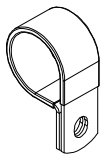
Formed tubing passes through P-clamps  
and swaged (tapered) end points up



TRS1508206

28.25

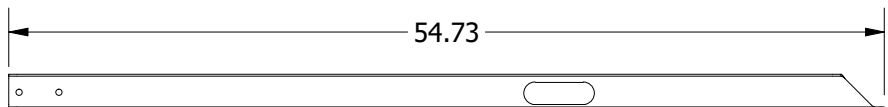
CS-30010



HRC-1500



1.5" pipe cap



54.73

CS-40001