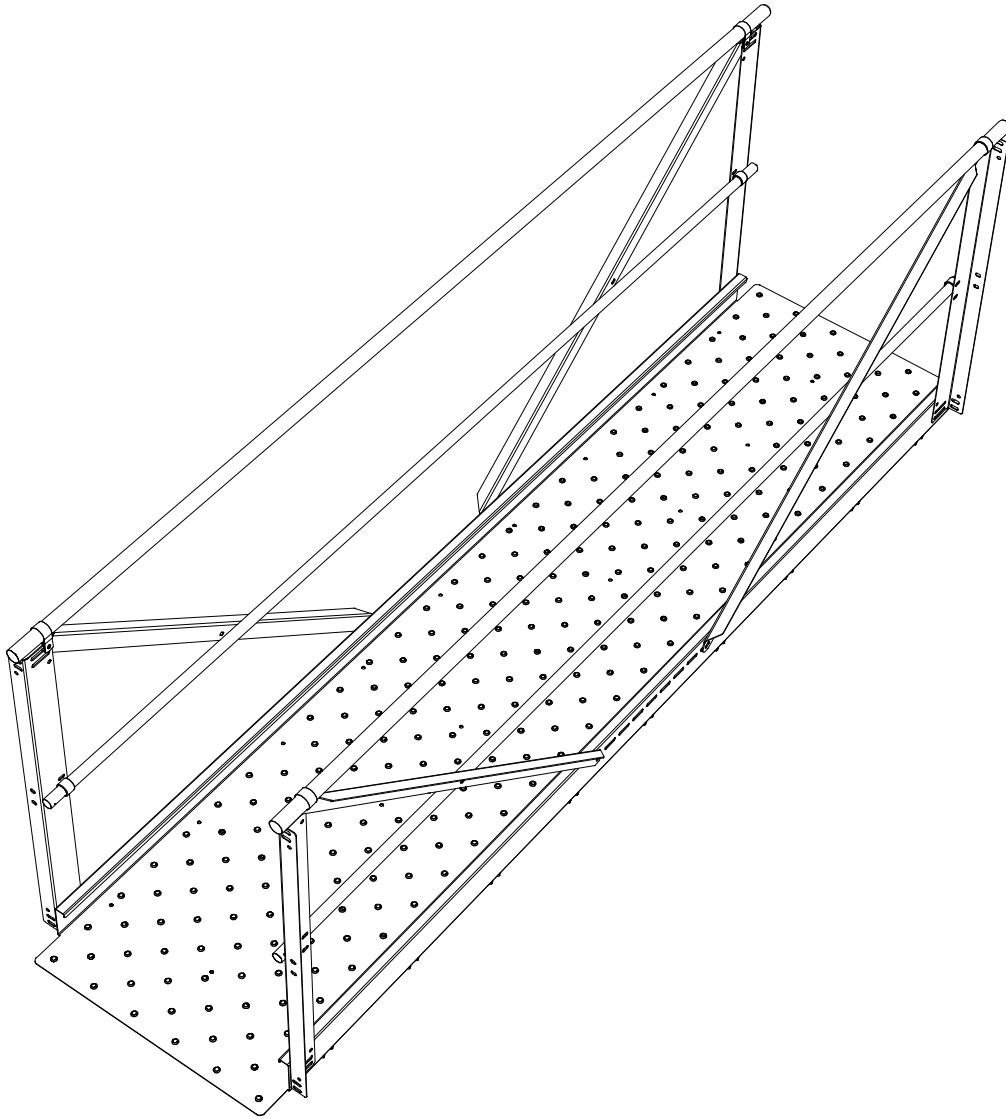


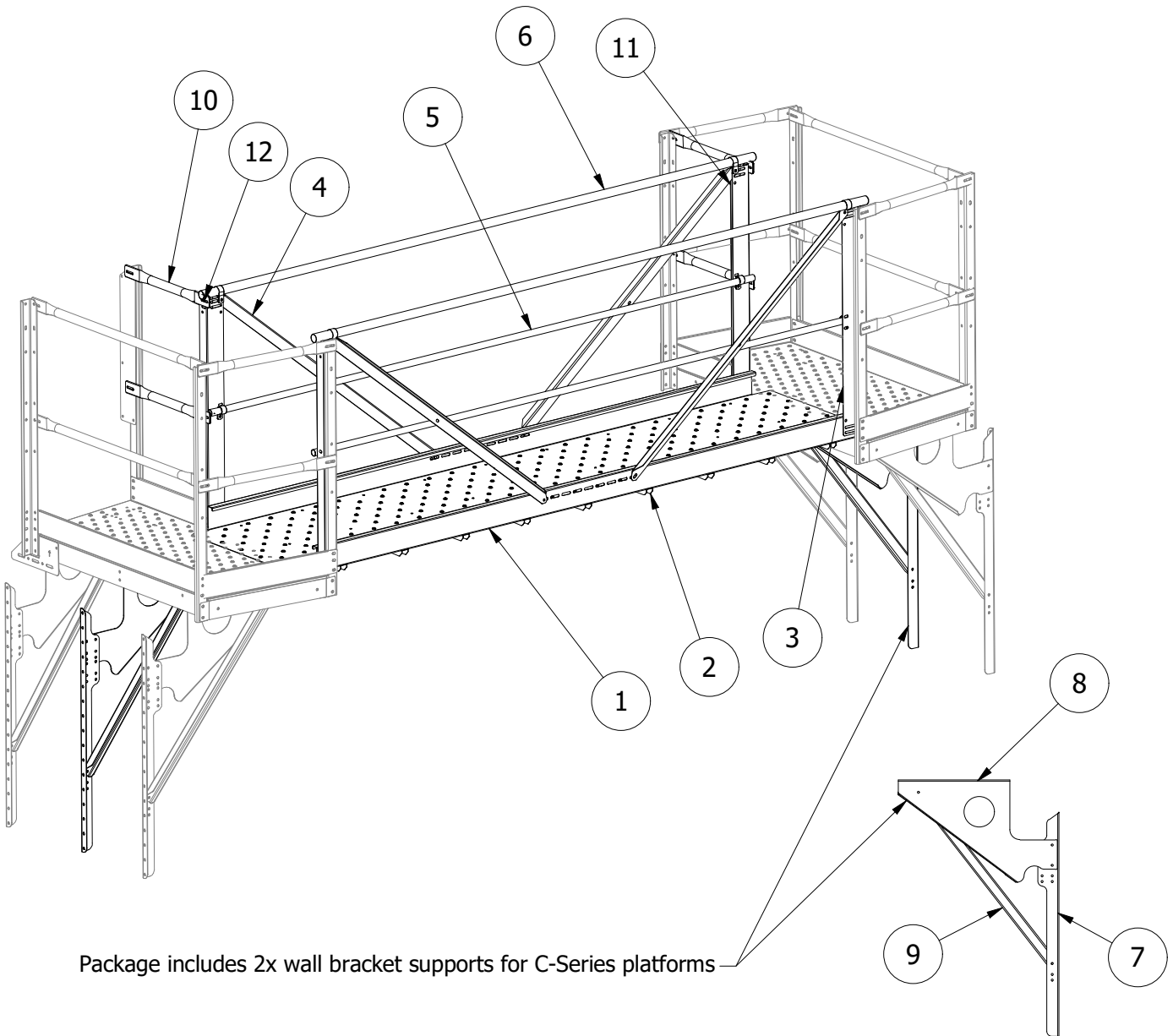
**CC237120**  
**Long C-Series Crossover**  
42.428" Bin Sheets



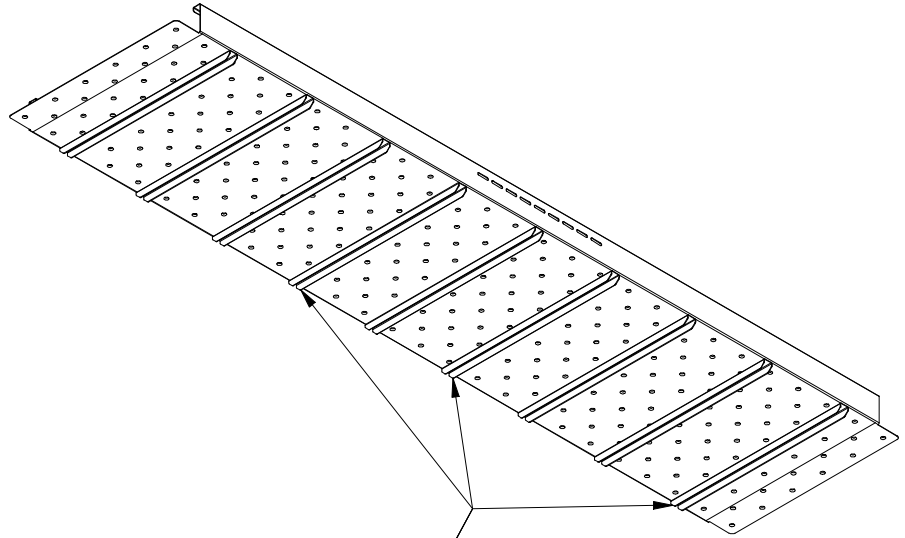
**CC237120**

**PARTS LIST**

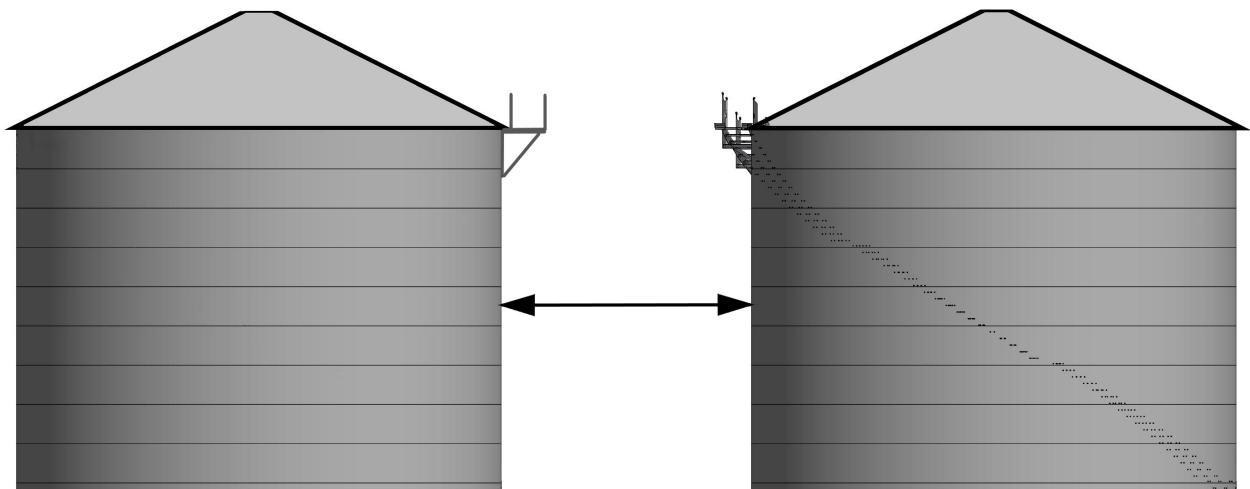
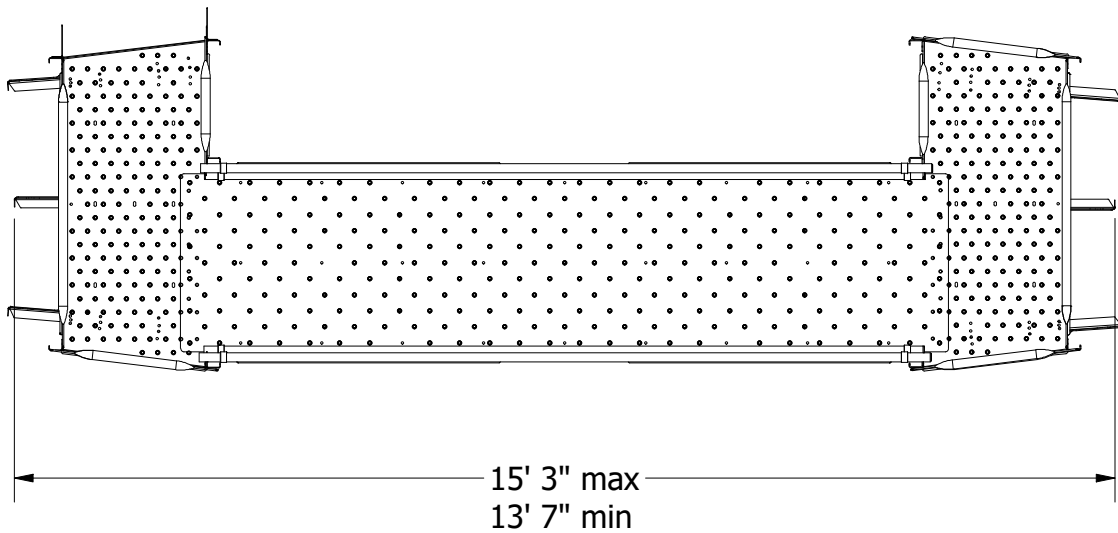
ITEM	QTY	PART NUMBER	DESCRIPTION
1	1	CS-37120	Plate, Tread, Long Crossover Tray
2	9	CS-37011	Channel, Brace, 30" Crossover Tray
3	4	CS-37020	Angle, Post, Crossover Platform
4	4	AVT-1062	Angle, Cross Brace, 62"
5	2	TR1012000	120" long, 1" dia tubing No Swage
6	2	TR1512200	122" long, 1.5" dia tubing No Swage
7	2	CS-34201	Bracket, Platform 42" ring
8	2	CS-34402	Brace, Plate, Platform
9	2	CS-32002	Channel, K-Brace, C-Series
10	4	ART-2005	1.5" Smashed end Handrail, 24"
11	1	CS-34500	Angle, Post, J-channel, Right
12	1	CS-34501	Angle, Post, J-channel, Left



# Confirm Bin Layout Compatability

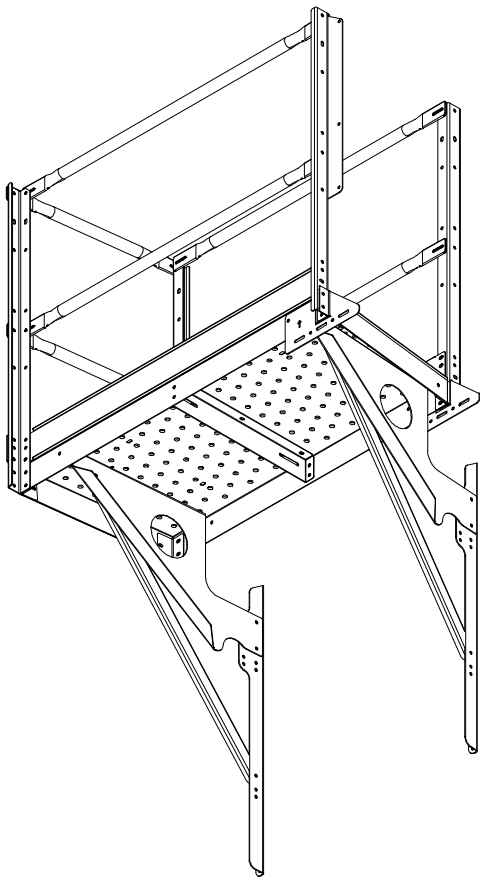


Attach tray braces to underside of crossover with 5/16" hardware  
Shorter spans may not require all 9 braces

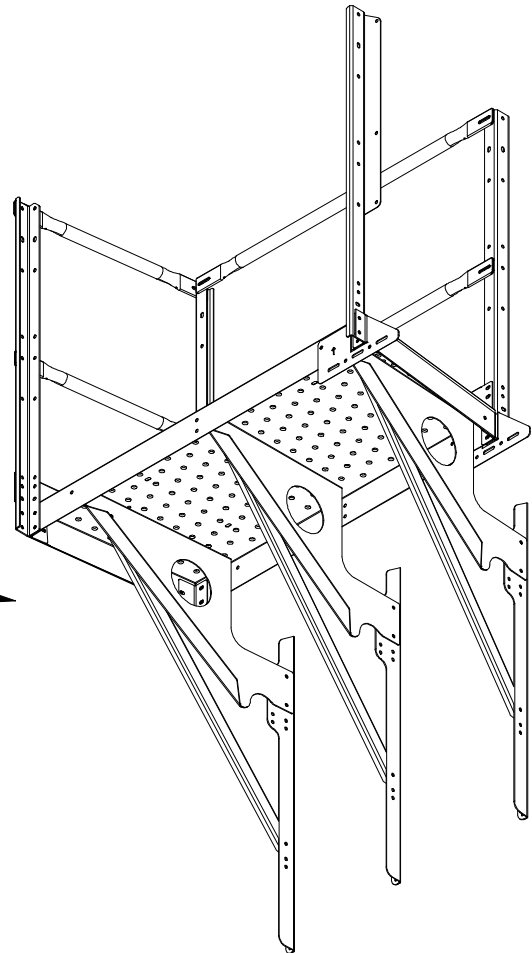


## Prepare Connecting Platforms

Adapt standard C-Series platforms for use with long crossover. This includes replacing the center support with an additional wall bracket as shown. Drill holes as needed to bolt deck to support. Remove the guarding components from the outside of both platforms being connected by the crossover.



standard C-Series platform

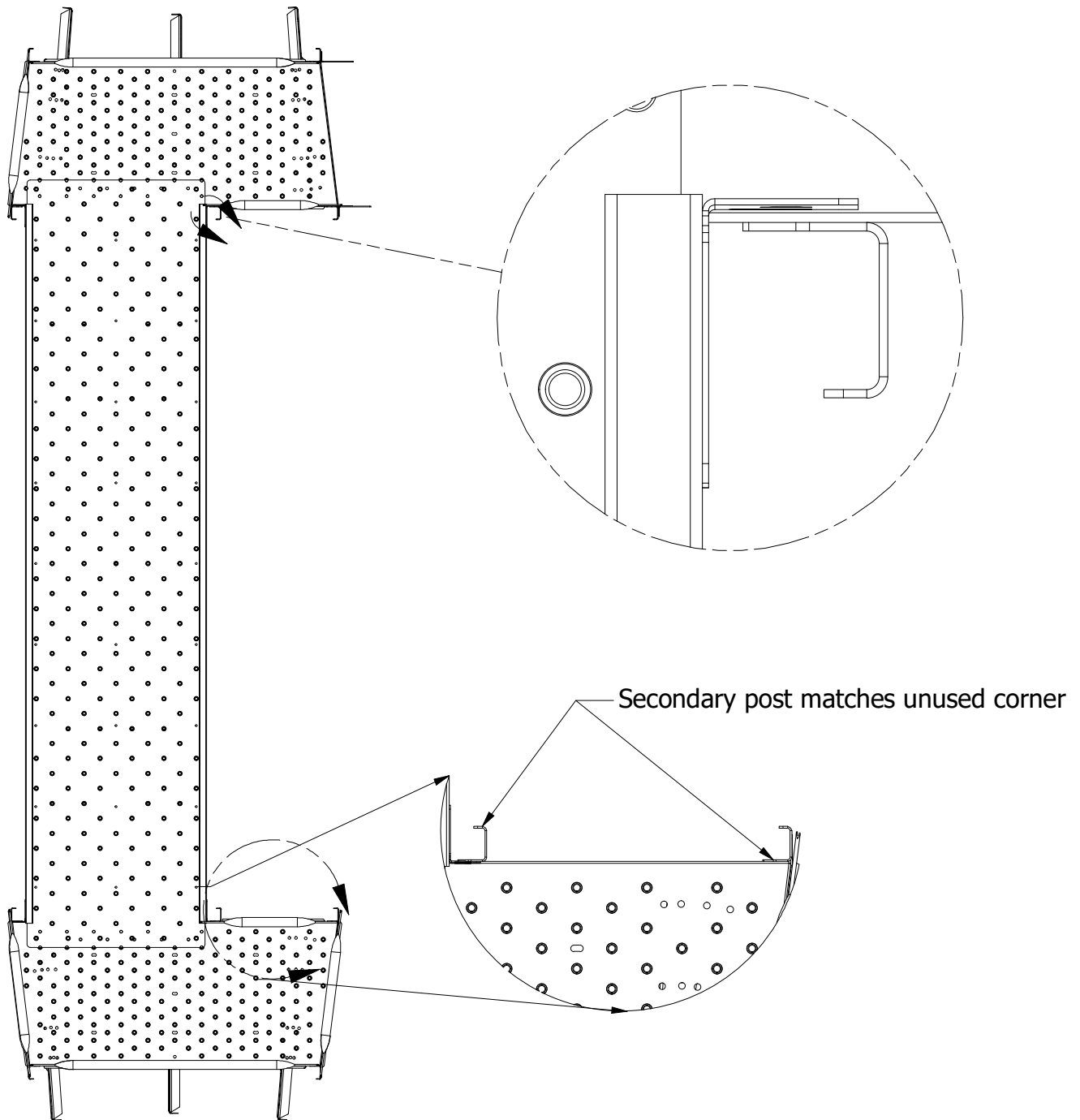


adapted platform

## Align to Platforms

The Crossover can be started on either side of a C-Series platform, and may point at a slight angle to reach the opposite platform. The crossover should always be attached at a platform corner, not centered in the opening.

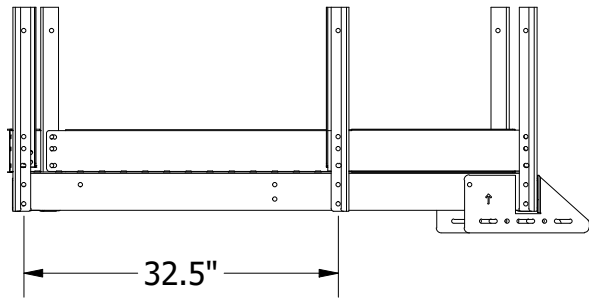
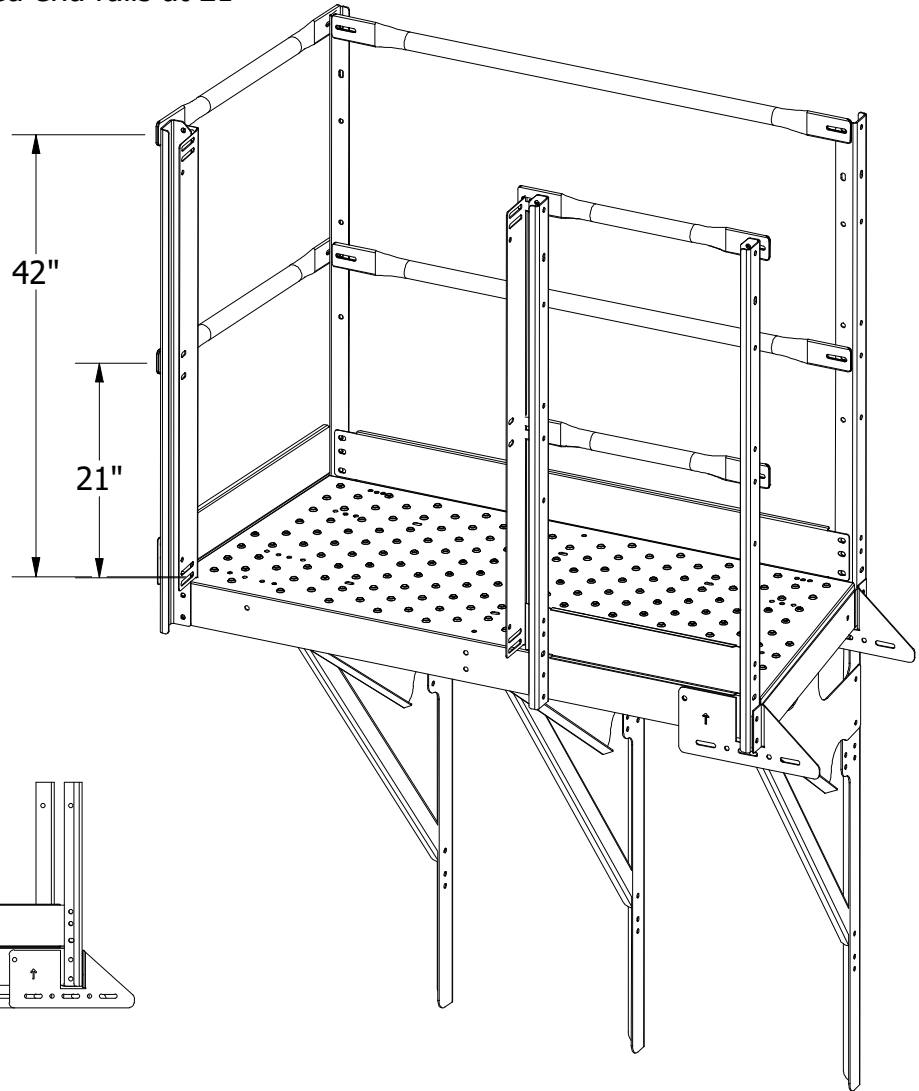
With the crossover in place, attach the secondary posts to the platform as shown; the orientation should match the post at the unused corner of the platform.



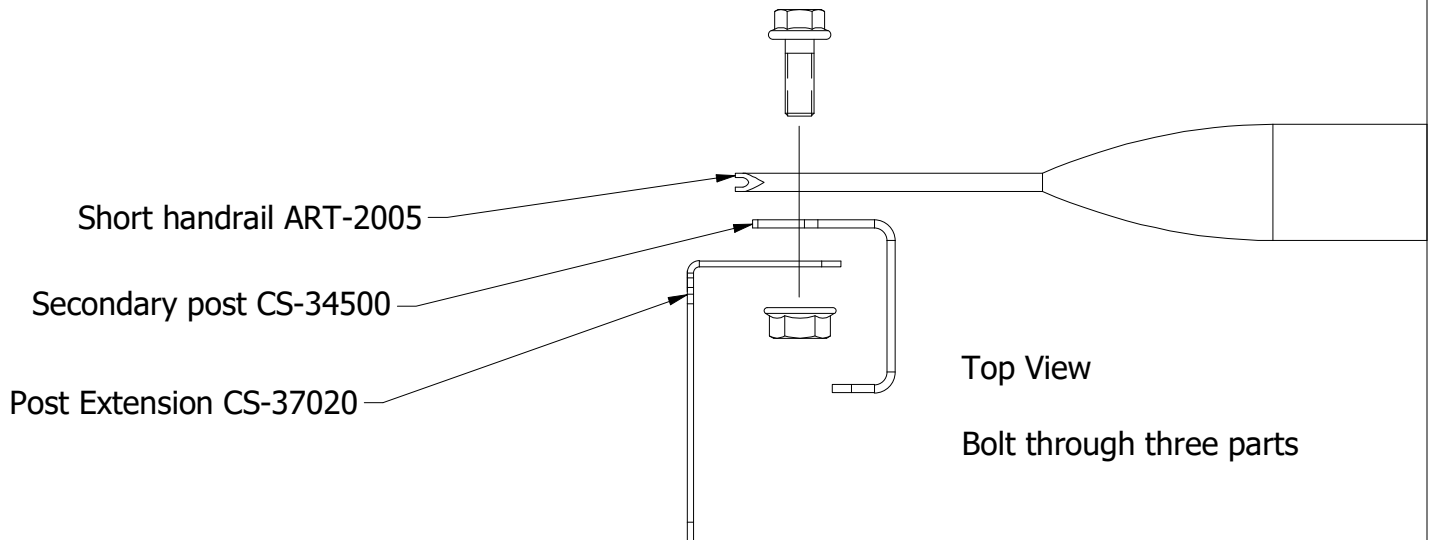
## New Platform Guarding

Drill and bolt the posts into the platforms 32.5" on center. Field-cut the old platform kickboard to close the remaining gap. Add the smashed end rails at 21" and 42".

Bolt the platform posts, post extensions, and guarding components together.



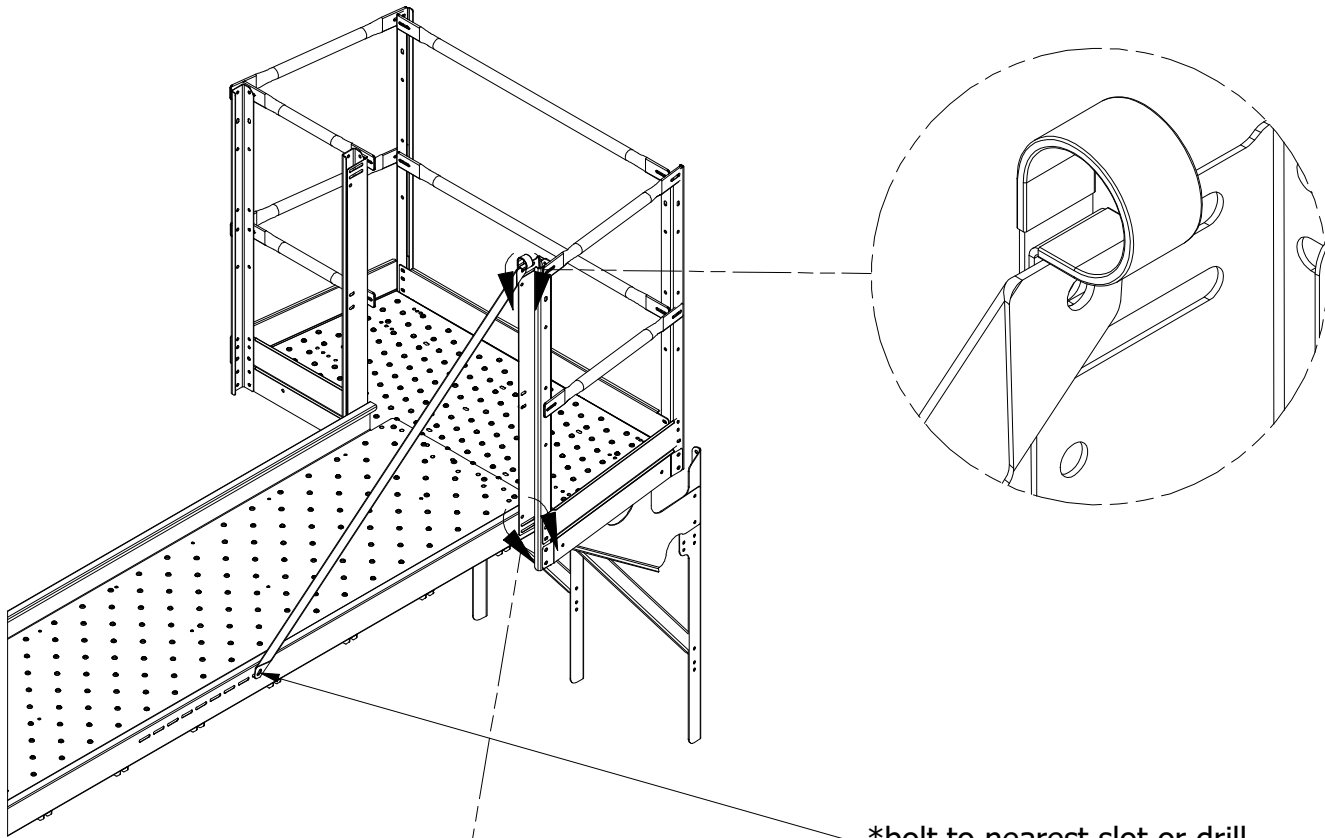
Post centers are 32.5" apart



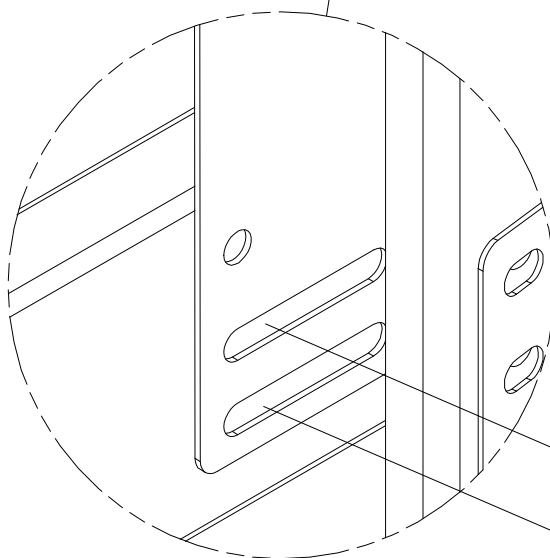
## Secure Tray to Post Extensions

Once the tray is properly aligned and the post extensions are secured to each platform, anchor the crossover by drilling and bolting the tray sides to the provided slots as shown.

Attach the AVT-1062 diagonal braces to the post extension with the 1.5" handrail P-clamps, then bolt the other end in the nearest slot\* at the center of the crossover.



\*bolt to nearest slot or drill

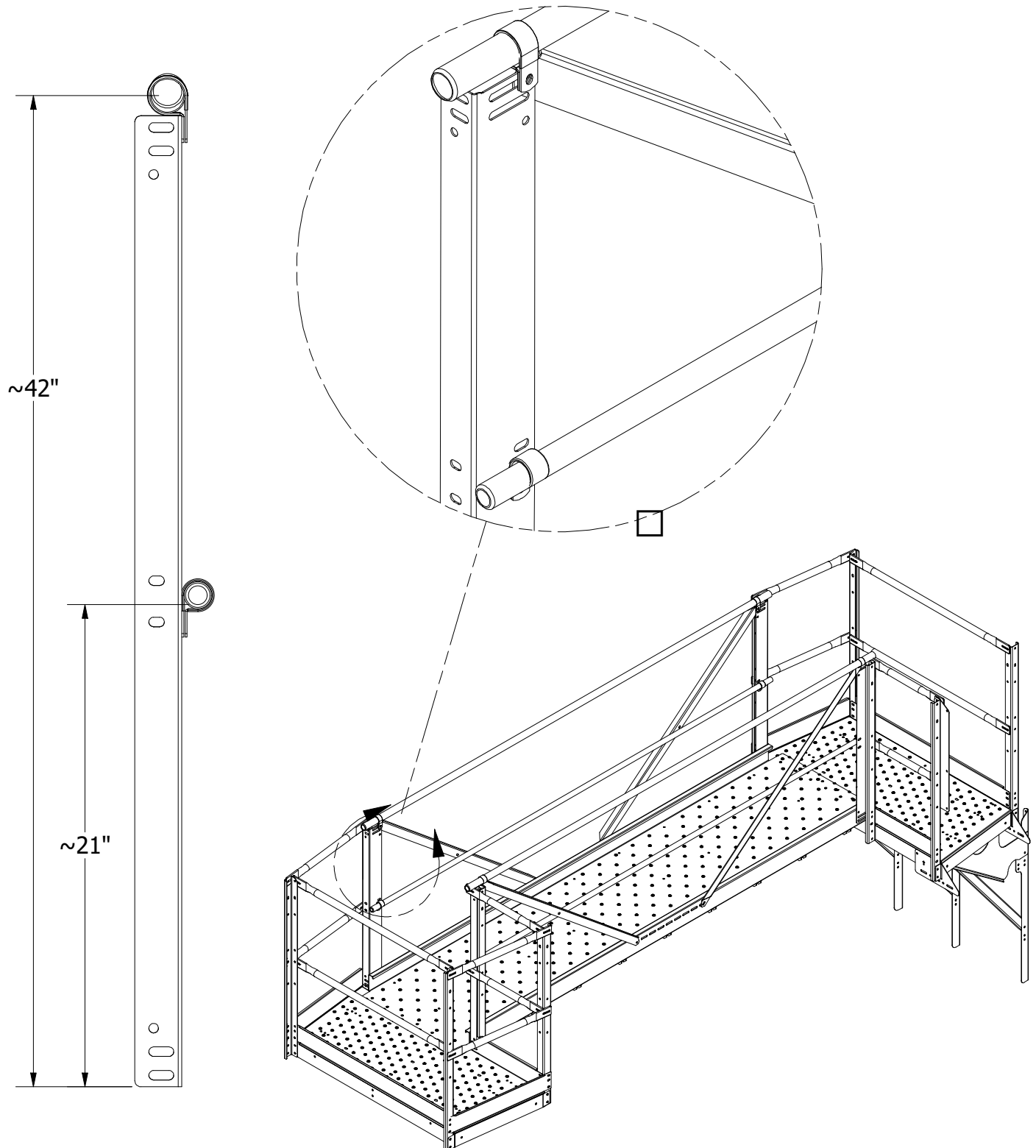


Drill and bolt the tray sidewall to the post extensions.

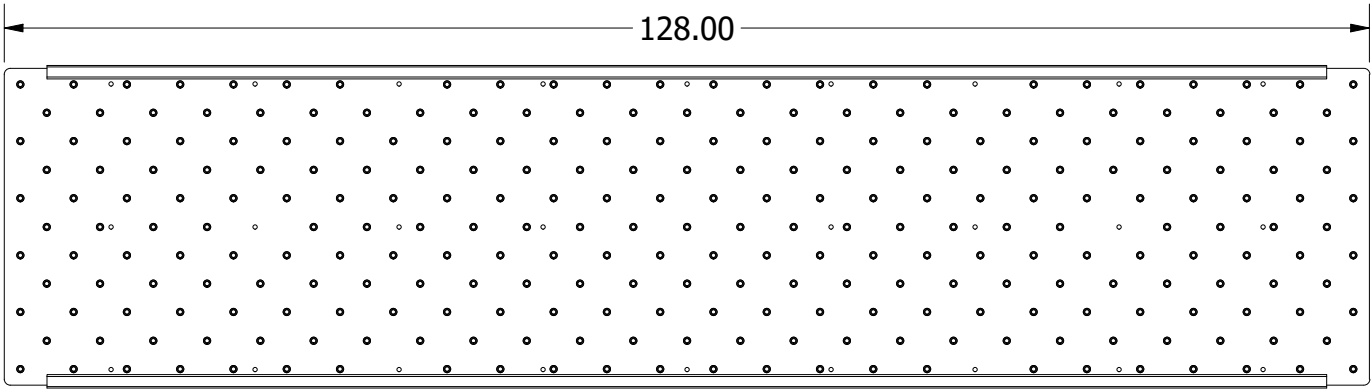


## Handrail and Midrail

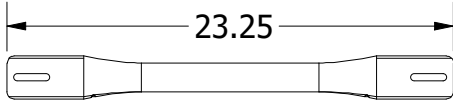
Install 1.5" Handrail with the P-clamps as shown; mounted to the inside of the post extension and facing out from the walkway. Install the 1" midrail ~21" from the walking surface with the P-clamps facing in. Trim excess length and seal open ends with provided pipe caps.



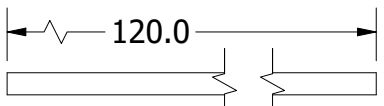




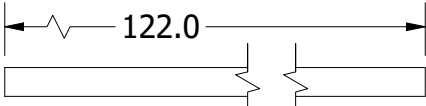
CS-37120



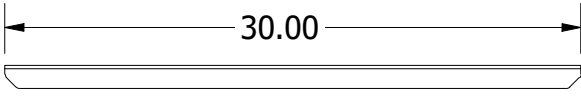
ART-2005



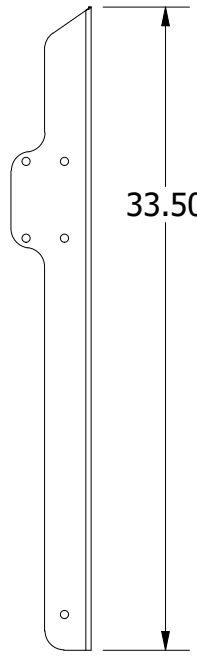
TR1012000



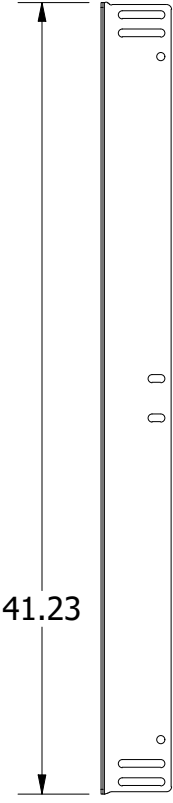
TR1512200



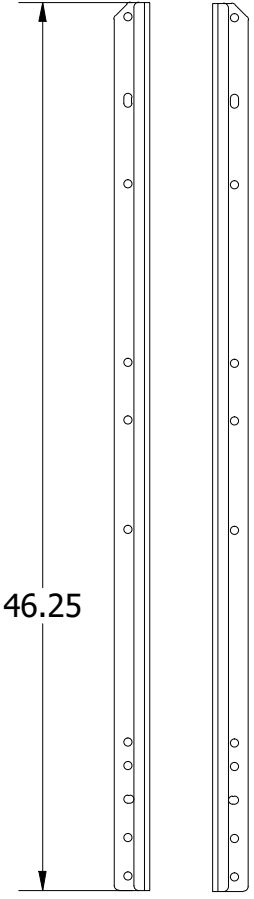
CS-37011



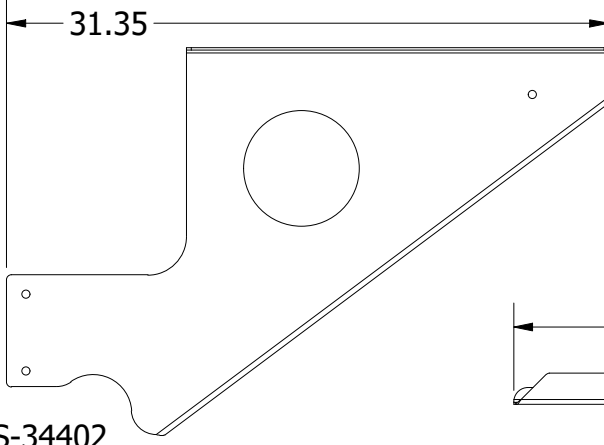
CS-33201



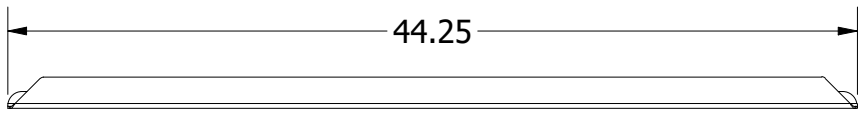
CS-37020



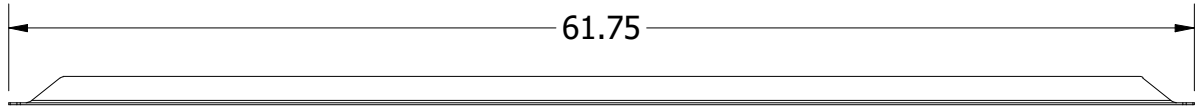
CS-34501 CS-34500



CS-34402



CS-32002



AVT-1062