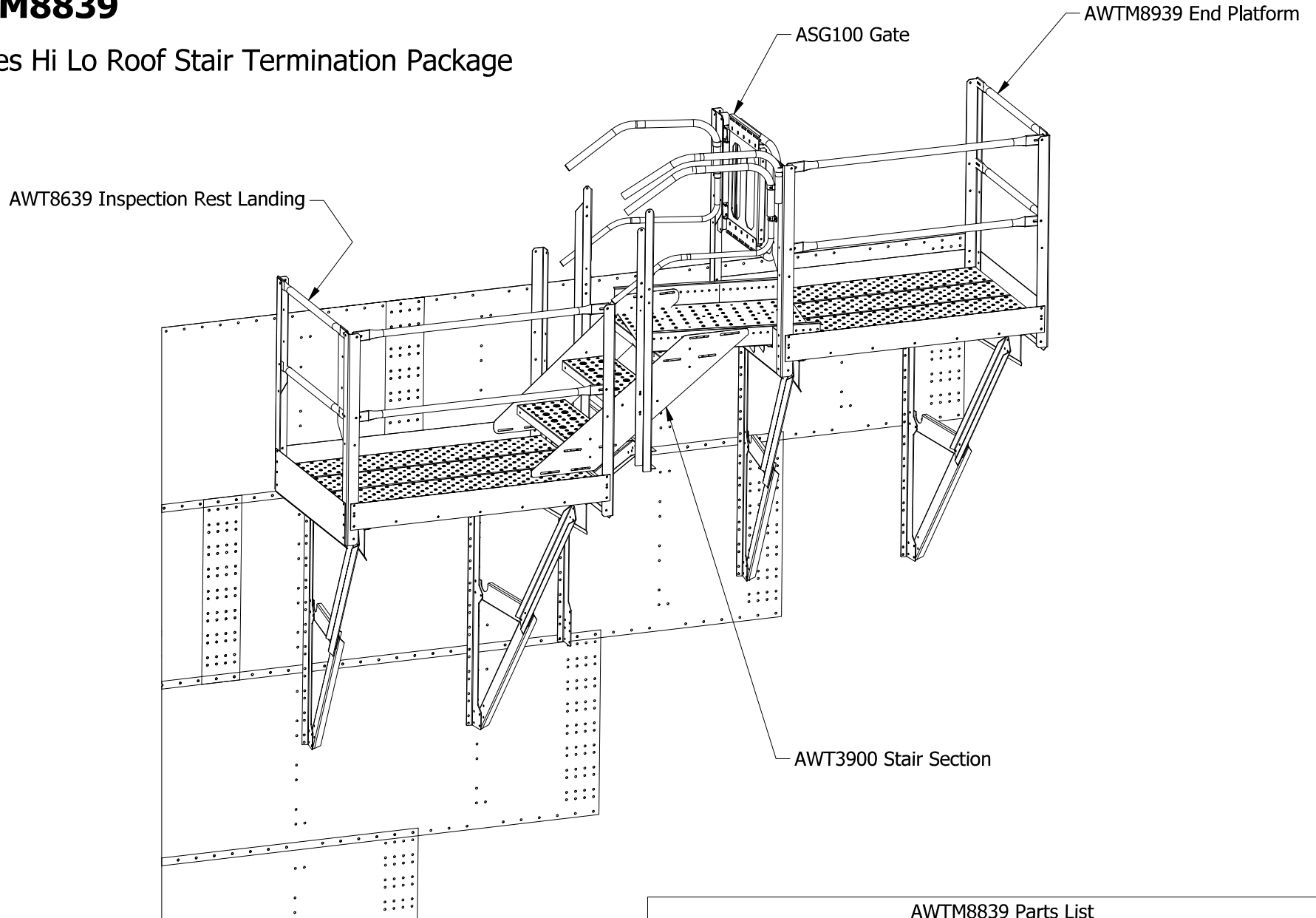


AWTM8839

A-Series Hi Lo Roof Stair Termination Package



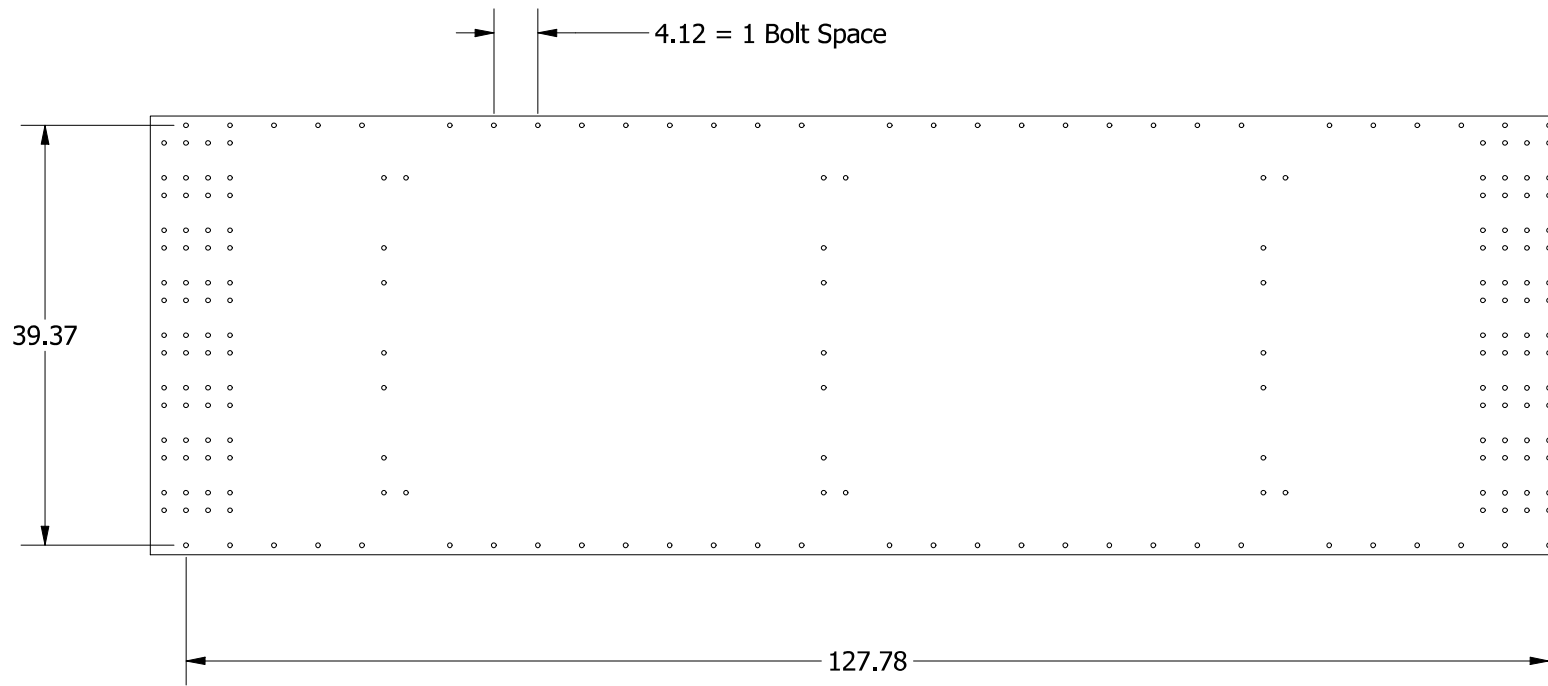
AWTM8839 Parts List

PART NUMBER	DESCRIPTION	QTY
AWT3900	Stair Section for 39" Ring	1
AWT51450	Access Guardrail, Roof Inspection Portal	1
AWT8639	Inspection Rest Landing 39" Ring	1
AWTM8939	A-Series End Platform, 1M Behlen	1

Refer to individual assemblies for specific installation instructions.

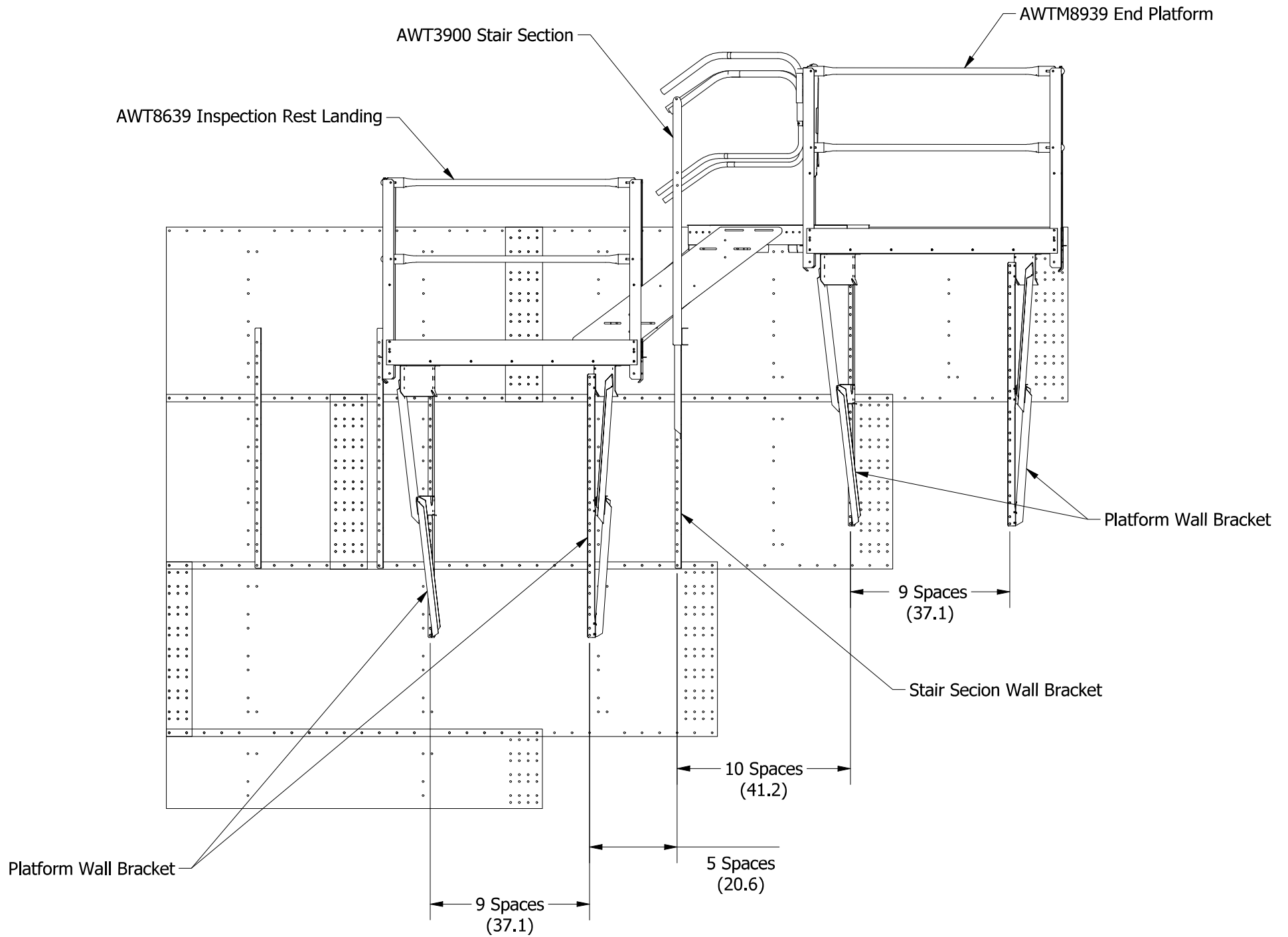
39" Bin Sheet Bolt Spacing

- The term "bolt space", as commonly used in the Greene instruction manuals, is the center to center distance between two bolt holes.
- The horizontal bolt spacing on a 39" bin sheet is $4 \frac{1}{8}$ ".
- The actual chord length of the space will vary slightly from $4 \frac{1}{8}$ ", depending on the bin diameter.



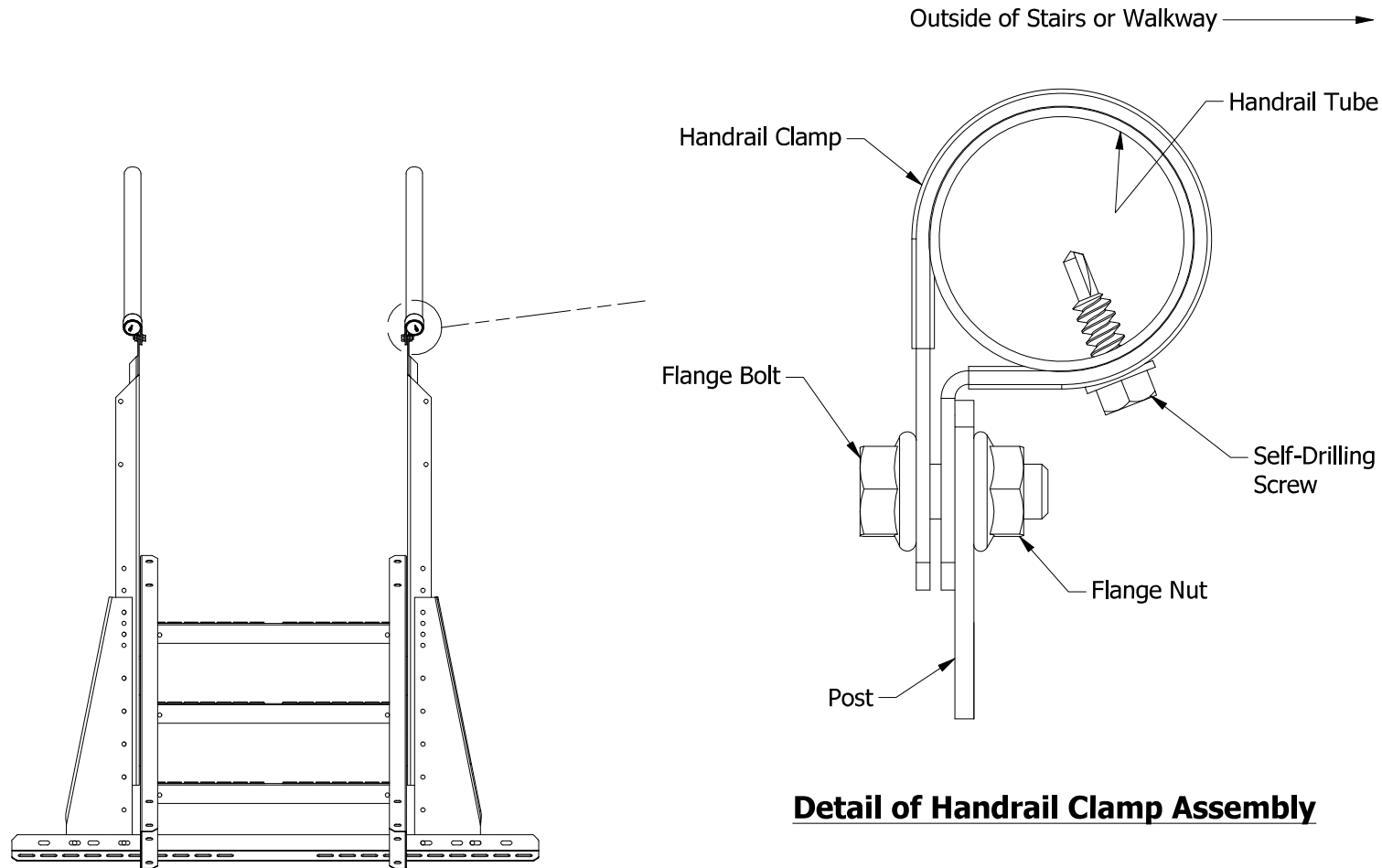
Bin Sheet Dimensions

Wall Bracket Spacing



Handrail Clamp Installation Instructions

- Position the handrail clamp so it is oriented facing outward, and so it does not interfere into the width of the stairs or walkway.
- Insert the bolt through both holes on the handrail clamp first, then push the bolt through the hole in the stair post from the inside. Install the nut on the outside so that the bolt head is on the inside of the stairs.
- Fasten the clamp tightly together so it is closed around the handrail, making sure the post is not between the two tabs.
- Install a self-drilling screw into the handrail clamp and through the handrail. It should be positioned on the outside near the bottom, approximately as shown, to minimize contact with the hands.



Roof Stair Example Shown

Detail of Handrail Clamp Assembly