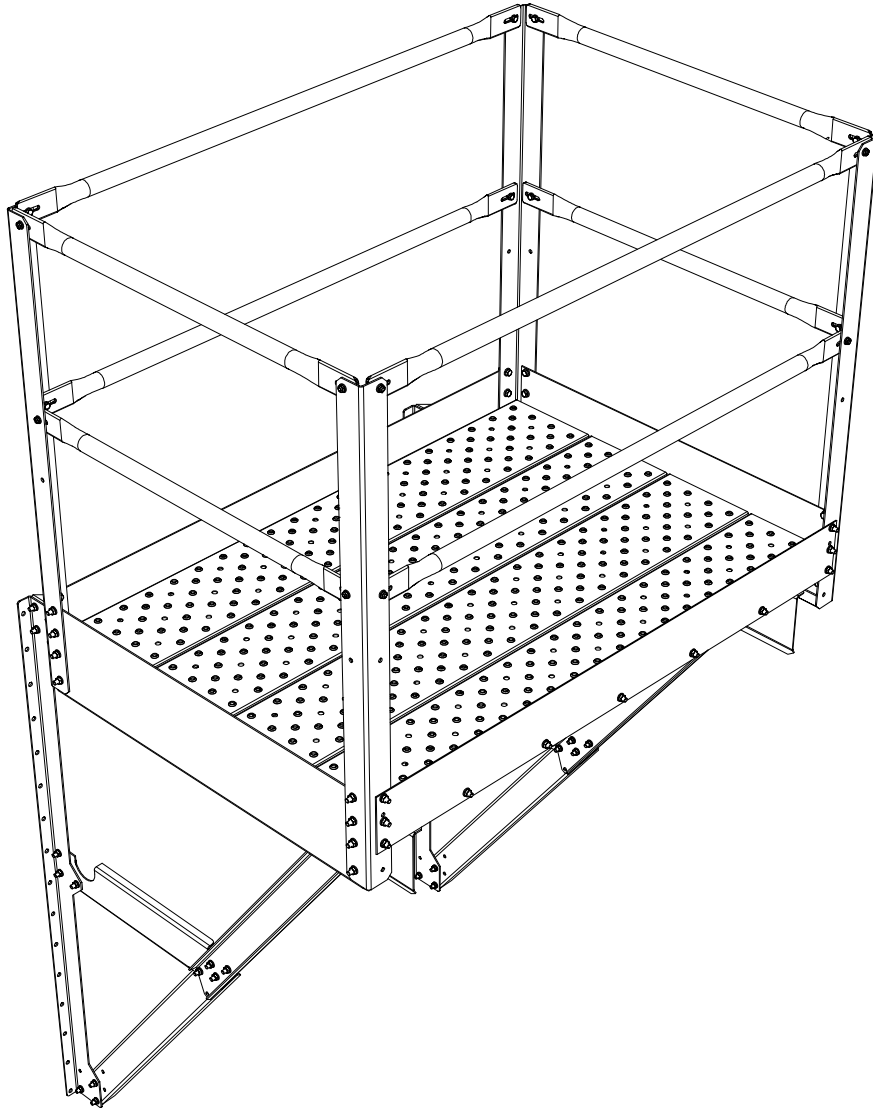


A-Series Sidewall Stairs

AWTC8942 End Platform Assembly Instructions



AWTC8942 End Platform Assembly Instructions

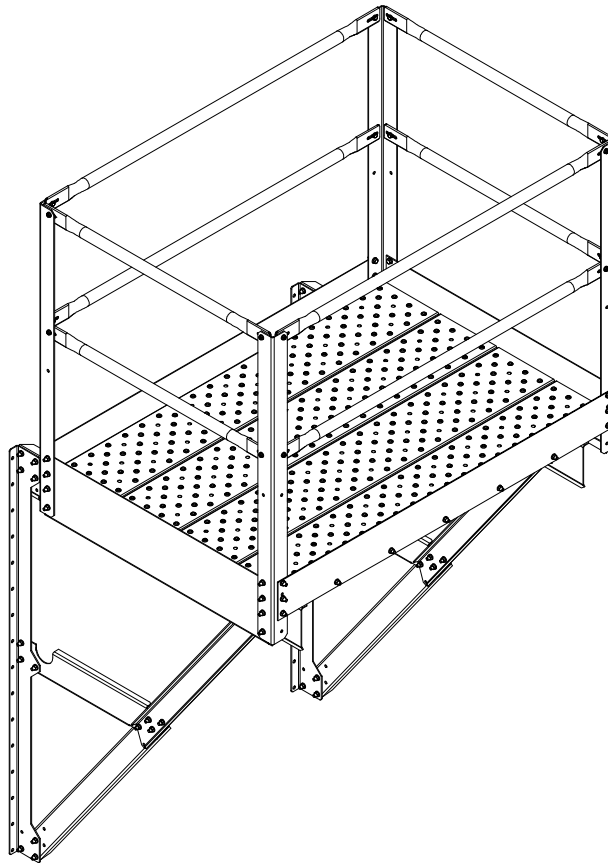
Covered in This Instruction Manual:

- Parts List and Identification
- Hardware List
- Wall Bracket Bolt Spacing and Mounting Location
- Platform Wall Bracket Configuration
- Platform Wall Bracket Assembly
- Attaching the Deck Planks to the Wall Brackets
- Assembling the Deck Planks and Side Kickboards
- Attaching the Posts
- Attaching the Entry Kickboards
- Installing the Handrails

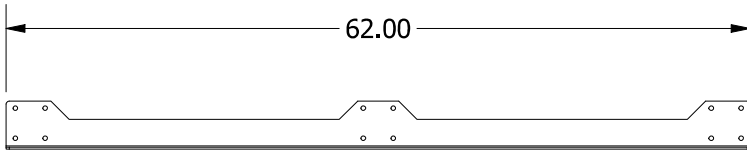
Parts List - AWTC8942 End Platform

AWTC8942, End Platform Parts List		
ITEM	DESCRIPTION	QTY
AS-40014	Channel, Crossbar, Platform	2
AS-40015	Bracket, Tie Brace, Platform	2
AS-40016	Channel, Kneebrace, Platform	4
AS-40017	Plank, Tread, 10 x 60 x 14ga	4
AS-40018	Angle, Post	4
AS-40019	Plate, Kickboard, End	2
AS-40021	Plate, Kickboard, Side	2
AS-40027	Bracket, Wall, Platform, 42" Ring	2
TRS1504000	40 in 1.50 Tubing Smashed Both Ends	4
TRS1505900	59 in 1.50 Tubing Smashed Both Ends	4

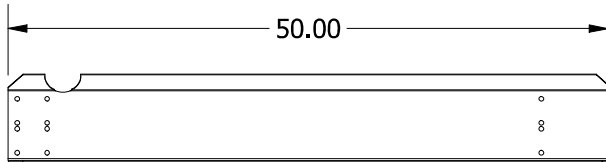
See the Following Pages for Parts Identification and Diagrams



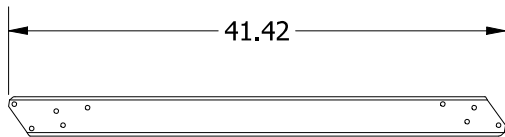
Parts Identification



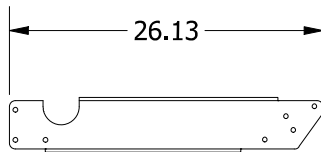
AS-40027



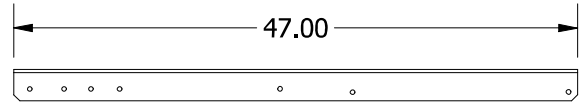
AS-40014



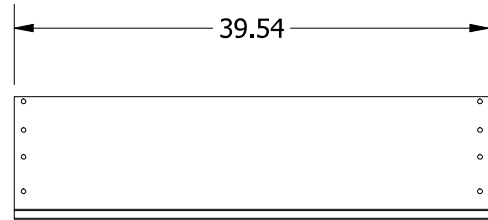
AS-40016



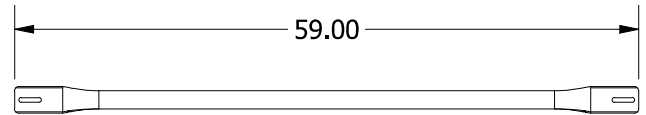
AS-40015



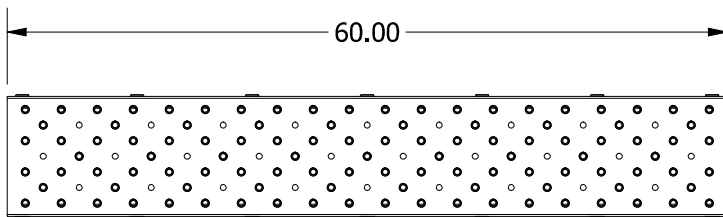
AS-40018



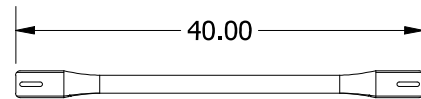
AS-40019



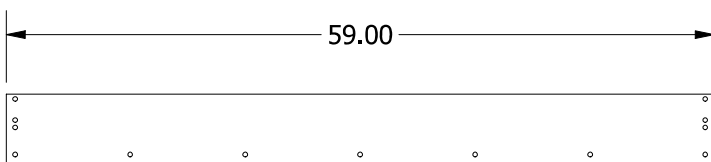
TRS1505900



AS-40017

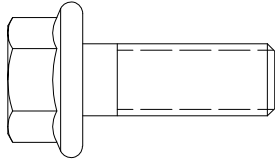


TRS1504000

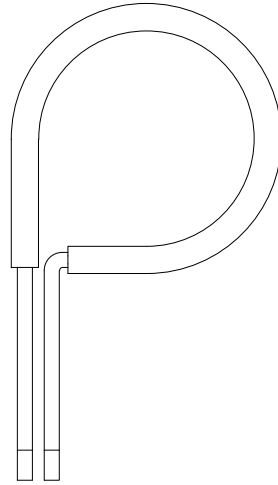


AS-40021

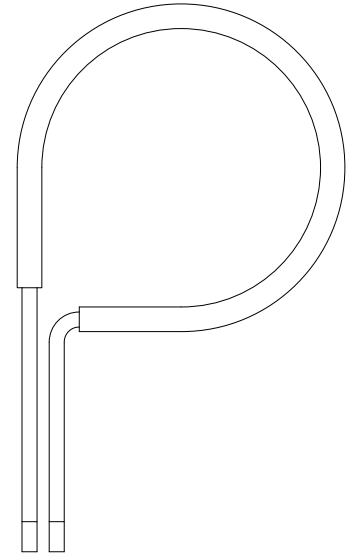
Hardware



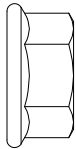
3/8"-16 x 1" Flange Bolt



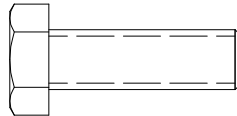
Handrail Clamp for 1.0 in



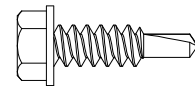
Handrail Clamp for 1.5 in



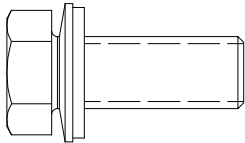
3/8"-16 Whiz Lock Nut



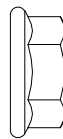
5/16"-18 x 1" Hex Head Cap Screw



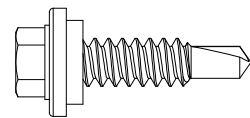
#12-14 x 3/4" Screw



3/8"-16 x 1" Bin Bolt



5/16"-18 Whiz Lock Nut



1/4"-14 x 7/8" Screw Sealer

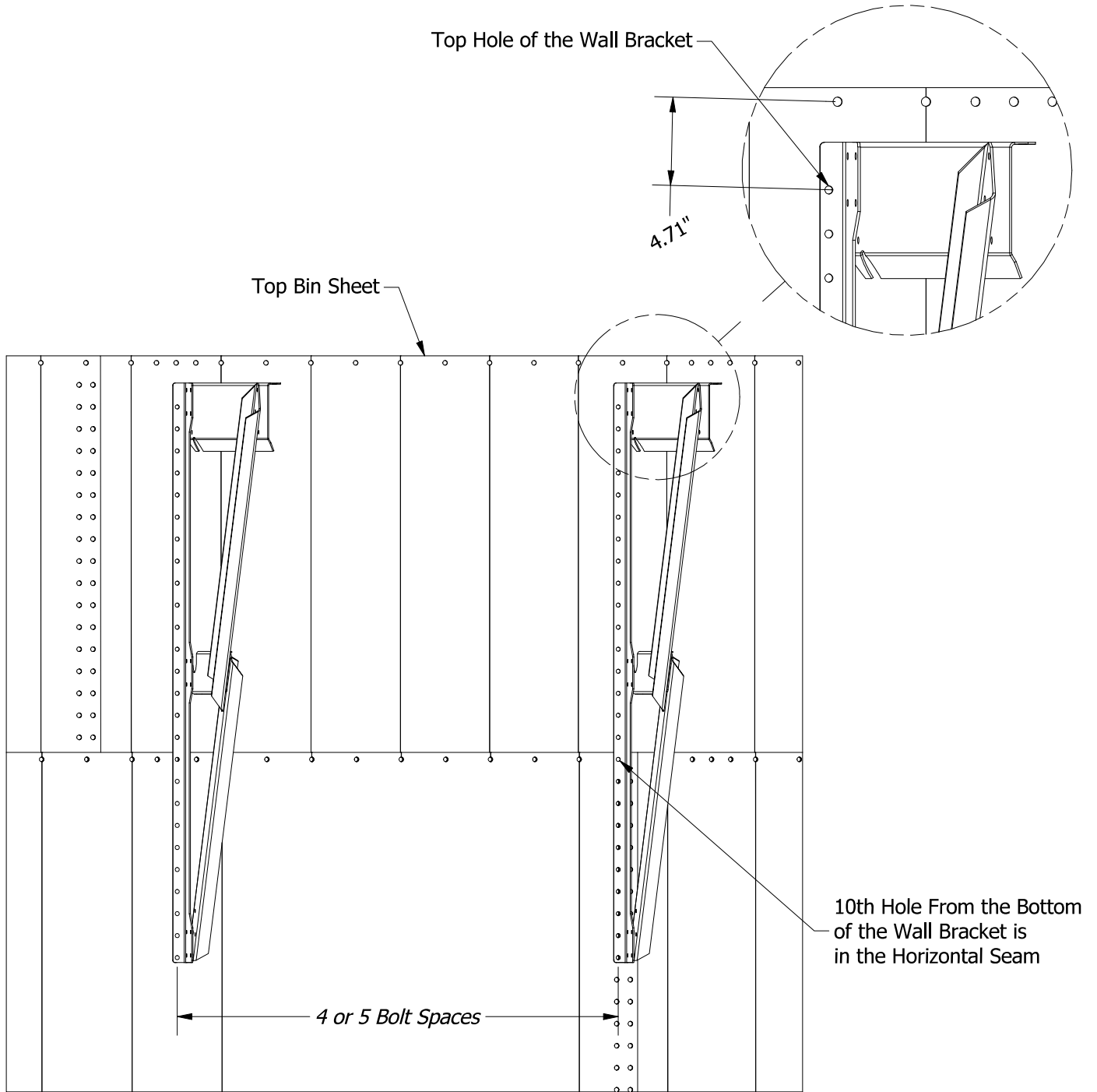
Hardware List		
ITEM	DESCRIPTION	QTY
3/8 x 1 Bin Bolt	3/8"-16 x 1" Bin Bolt	16
3/8-16SFN	3/8"-16 Whiz Lock Nut	166
3/8-16x1SFB	3/8"-16 x 1" Flange Bolt	150
5/16-18SFN	5/16"-18 Whiz Lock Nut	12
5/16x1 HCS	5/16"-18 x 1" Hex Head Cap Screw	12
FloorScrews	#12-14 x 3/4" Screw	20
HandScrews	1/4"-14 x 7/8" Screw Sealer	4
HRC1000	Handrail Clamp for 1 in	4
HRC1500	Handrail Clamp for 1.5 in	6

AWTC8942 End Platform Wall Brackets

The horizontal spacing for the wall brackets may be 4 or 5 bolt spaces.

For the vertical placement, the top hole of the wall bracket is 1 corrugation (4.71") down from the top hole of the top bin sheet.

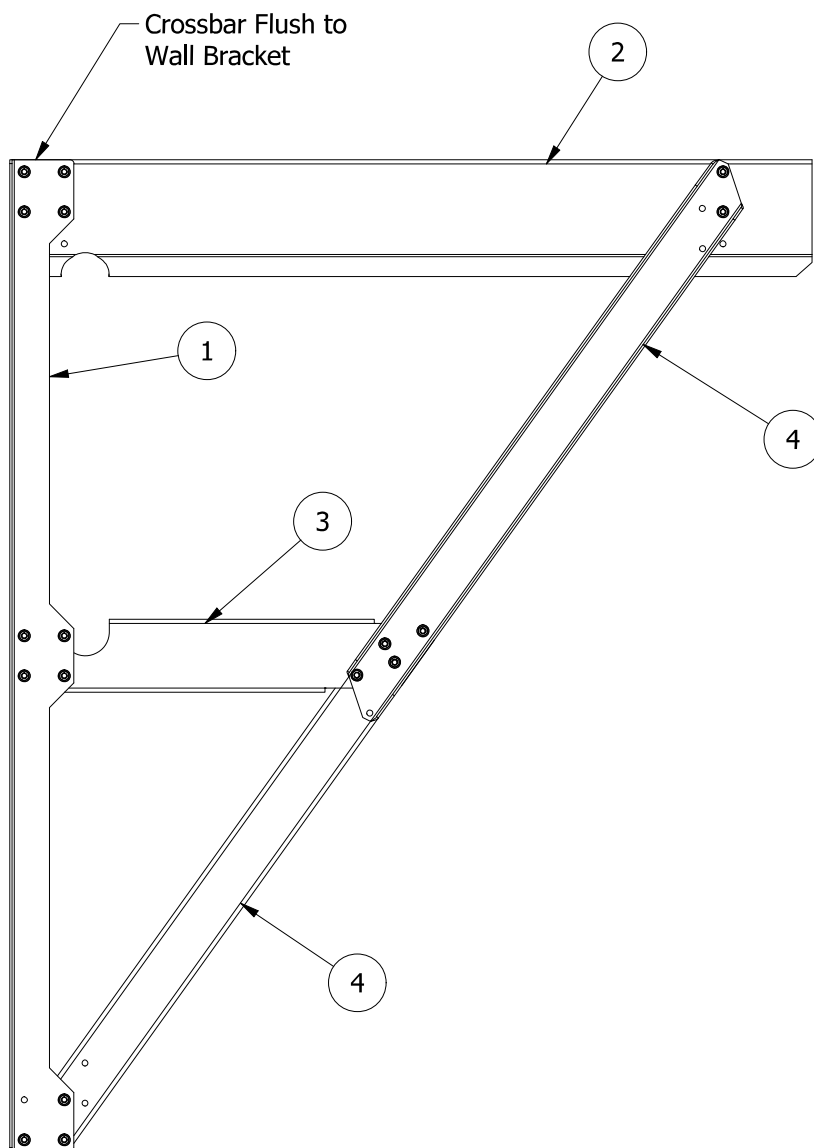
Each platform wall bracket requires (8) bolts to be attached to the bin wall, field drilled when necessary.



The horizontal spacing for the end platform is typically: 4 bolt spaces (38-7/8") for bins 48' diameter and smaller; or 5 bolt spaces (48-1/2") for bins larger than 48' diameter. There is flexibility to use either spacing in order to avoid obstructions if necessary.

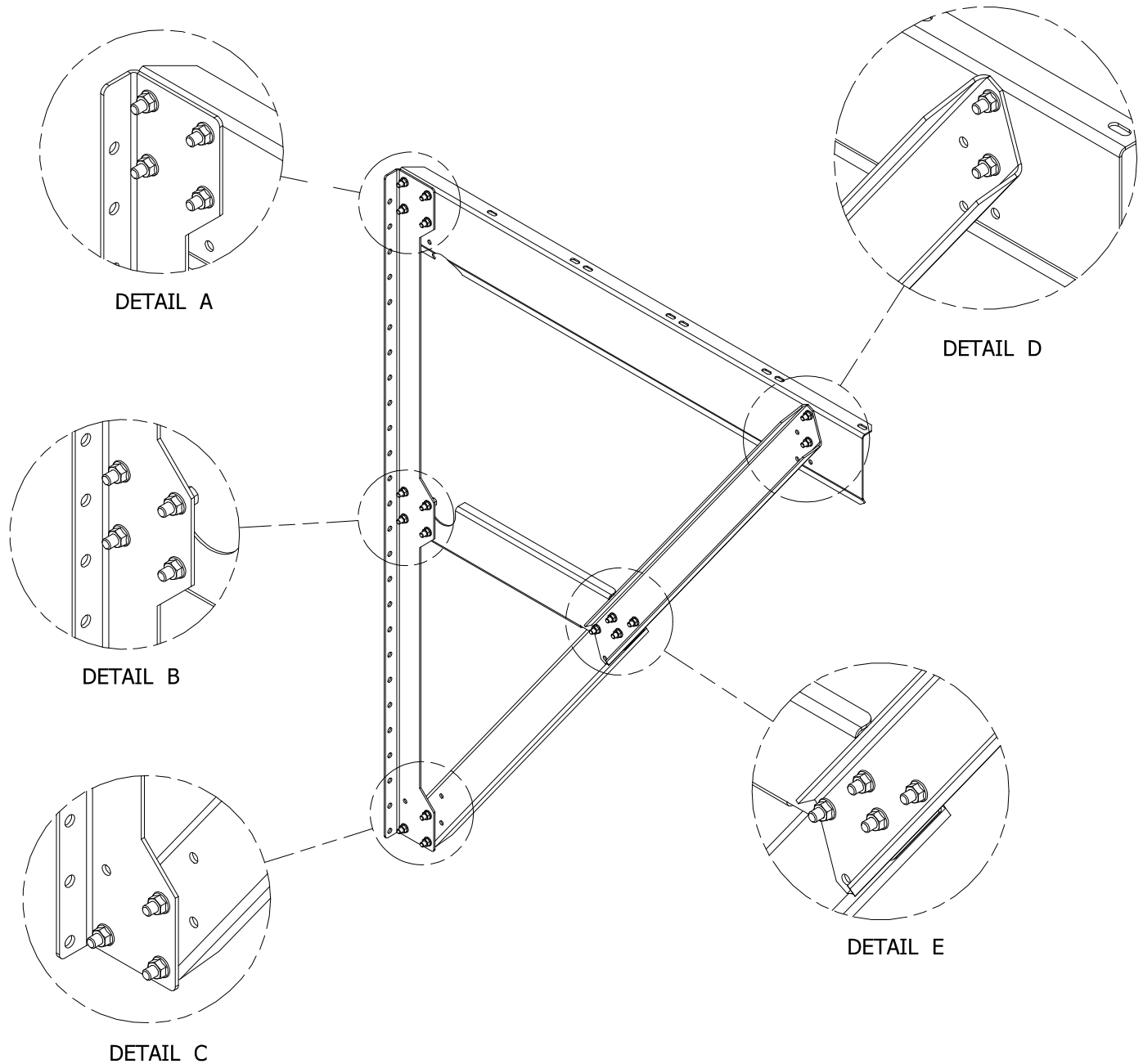
Platform Bracket Configuration

PARTS LIST		
ITEM	PART NUMBER	DESCRIPTION
1	AS-40027	Bracket, Wall, Platform, 42" Ring
2	AS-40014	Channel, Crossbar, Platform
3	AS-40015	Bracket, Tiebrace, Platform
4	AS-40016	Channel, Kneebrace, Platform



Platform Bracket Assembly

AWTC8942 End Platform Wall Bracket



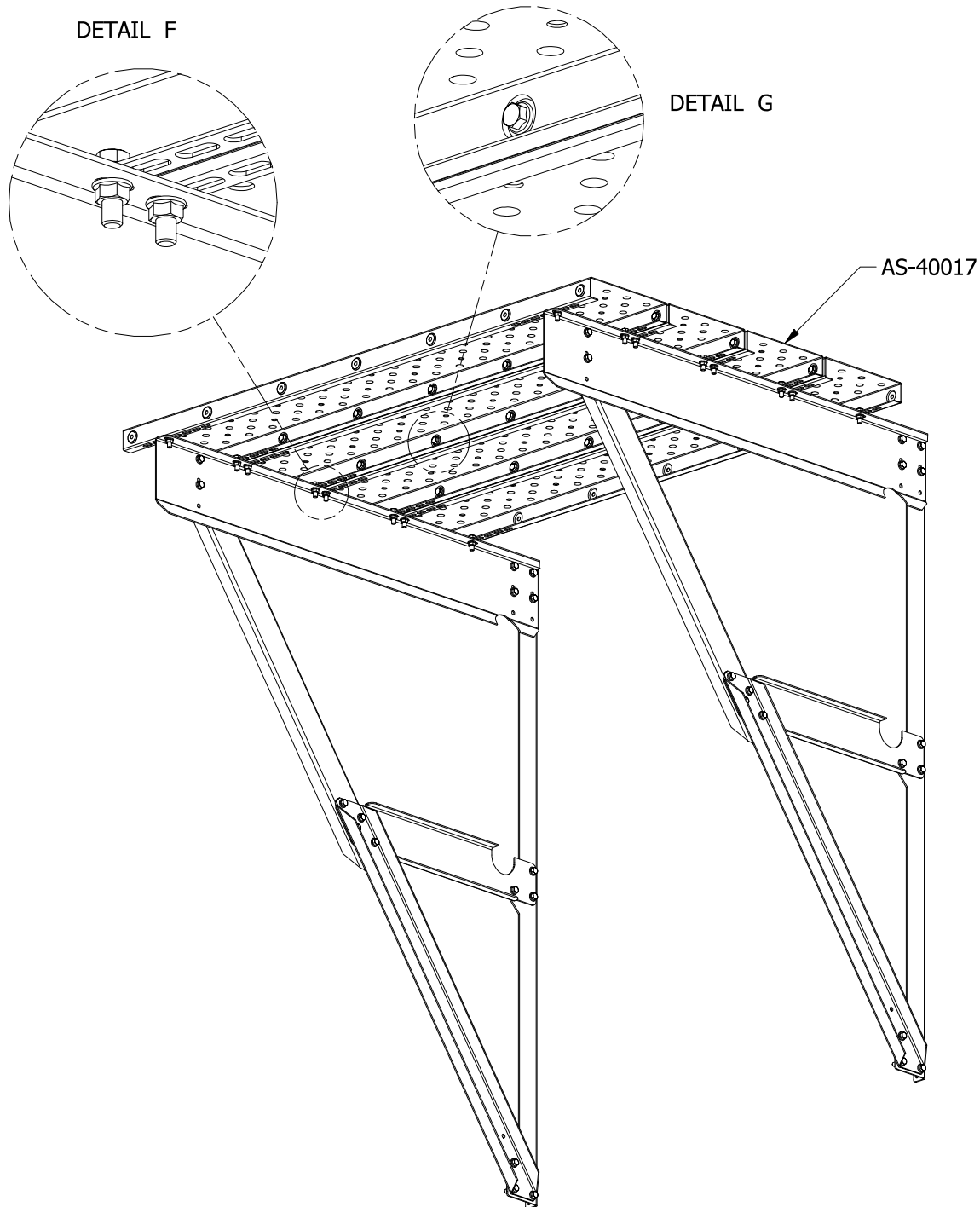
- A. Attach the cross bar AS-40014 to the wall bracket AS-40027. Secure using (4) 3/8" Flange Bolts and Nuts. See Detail A.
- B. Attach the tie brace AS-40015 to the wall bracket AS-40027. Secure using (4) 3/8" Flange Bolts and Nuts. See Detail B.
- C. Attach the lower knee brace AS-40016 to the wall bracket. Secure using (2) 3/8" Flange Bolts and Nuts. The flanges on the AS-40016 will be to the right, when facing the bracket. See Detail C.
- D. Attach the upper knee brace AS-40016 to the cross bar. The flanges on the AS-40016 will be facing to the left. Secure using (2) 3/8" Flange Bolts and Nuts. See Detail D.
- E. Attach the upper and lower knee braces to the tie brace. The knee braces should face back to back, with the tie brace in between them. Secure using (4) 3/8" Flange Bolts and Nuts. See Detail E.

Attaching the Deck to the Wall Brackets

Note:

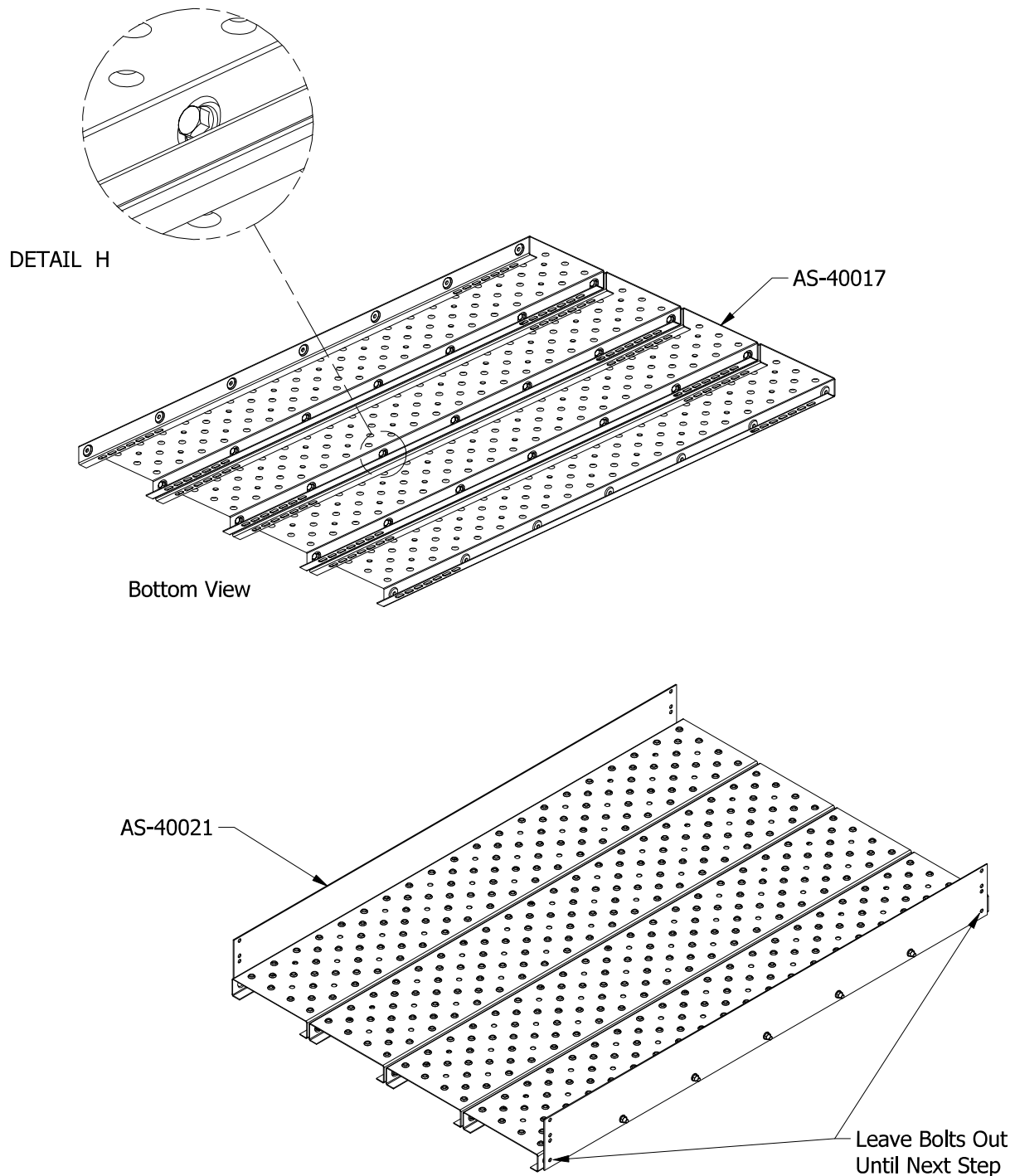
The platform can be built on top of the wall brackets already attached to the bin wall, or can be built on the ground and set into place on the wall brackets.

- A. Center and place the (4) AS-40017 deck planks on top of the wall brackets assembled in the previous step.
- B. Secure in place using (16) 3/8" Flange Bolts and Nuts. See Detail F.
- C. Using (21) 3/8" Flange Bolts and Nuts, secure the (4) deck planks together. See Detail G.



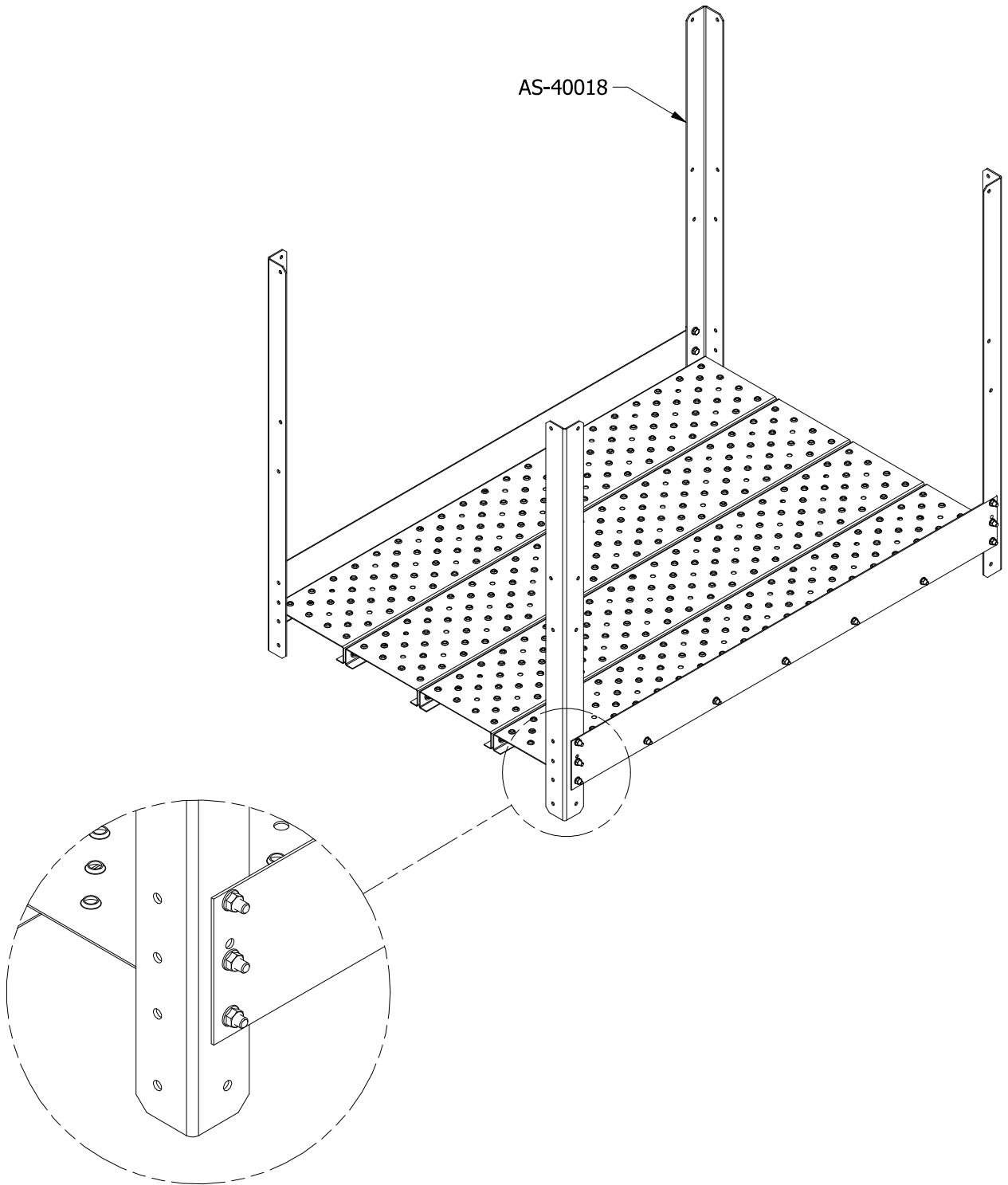
Assembling the Deck and Side Kickboards

- A. Center and place the (4) AS-40017 deck planks on top of the wall brackets or a flat surface.
- B. Using (21) 3/8" Flange Bolts and Nuts, secure the (4) deck planks together. See Detail H.
- C. Attach the (2) side kickboards AS-40021 to the outside planks, using (10) 3/8" Flange Bolts and Nuts. Note: Leave the outside bolts out; these will be added in the next step to attach the posts.



Attaching the Platform Posts

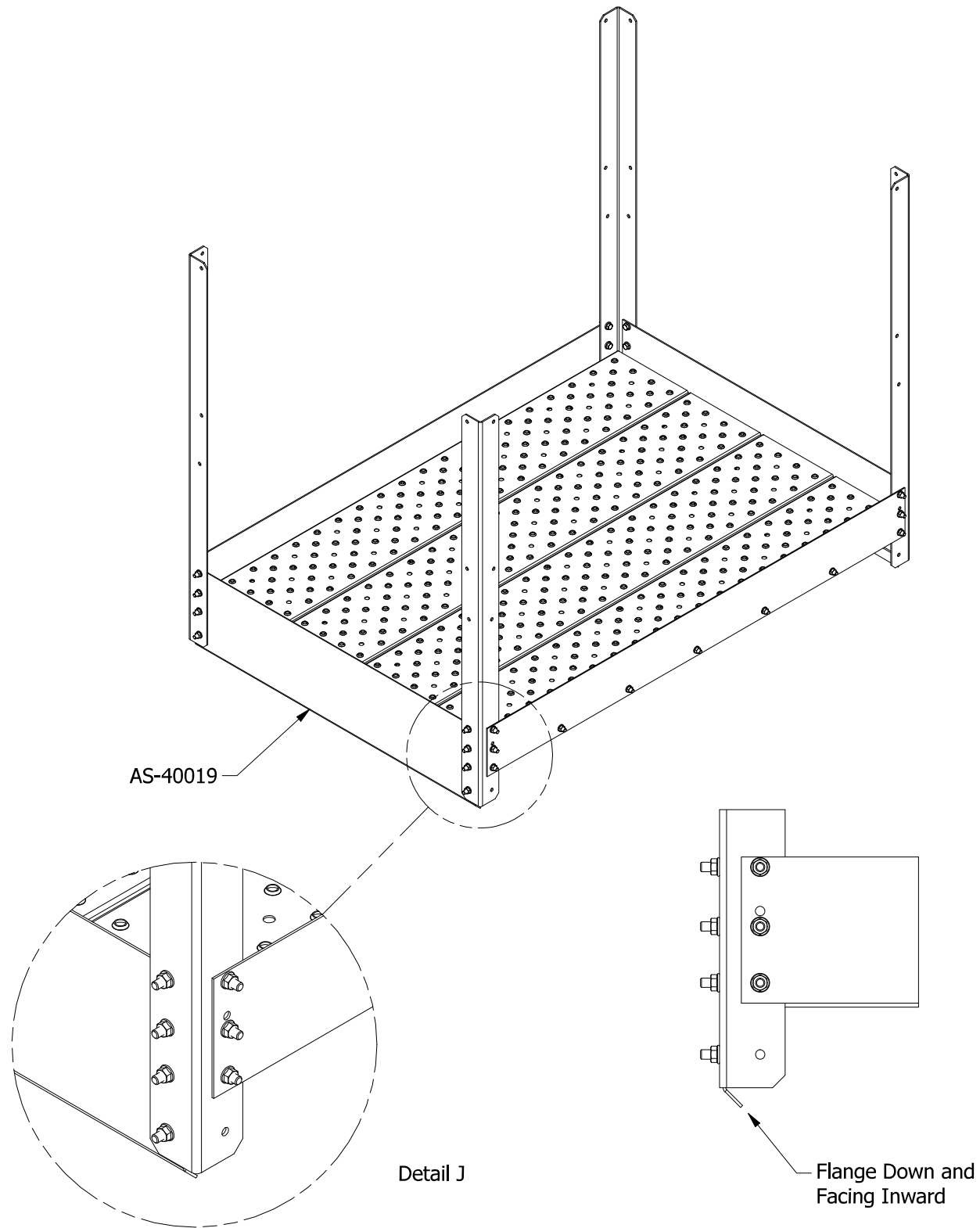
- A. Attach the (4) angle posts AS-40018 to the side kickboards. The kickboards should be on the outside of the posts. The 2nd hole from the bottom of the post lines up with the kickboard and deck plank.
- B. Secure in place using (12) 3/8" Flange Bolts and Nuts.



DETAIL I

Attaching the End Kickboards

- A. Attach the (2) end kickboards AS-40019 to the corner posts. The kickboards should be inside of the corner posts. The bottom flange faces towards the inside of the platform.
- B. Secure each kickboard in place using (8) 3/8" Flange Bolts and Nuts.



Installing the Handrails

Note:

The handrails should be installed from the inside of the posts, with the bolt heads inside and the nuts outside of the platform.

The handrails should be installed with the weep holes facing down to allow any moisture to drain.

- A. Place the short handrails TRS1504000 and the long handrails TR1505900 on from the inside of the posts, with the weep holes facing down.
- B. The top handrail installs in the top hole, the intermediate rail installs in the 2nd hole down, 18" from the top hole.
- C. Secure each handrail in place with (2) 3/8" Flange Bolts and Nuts.

