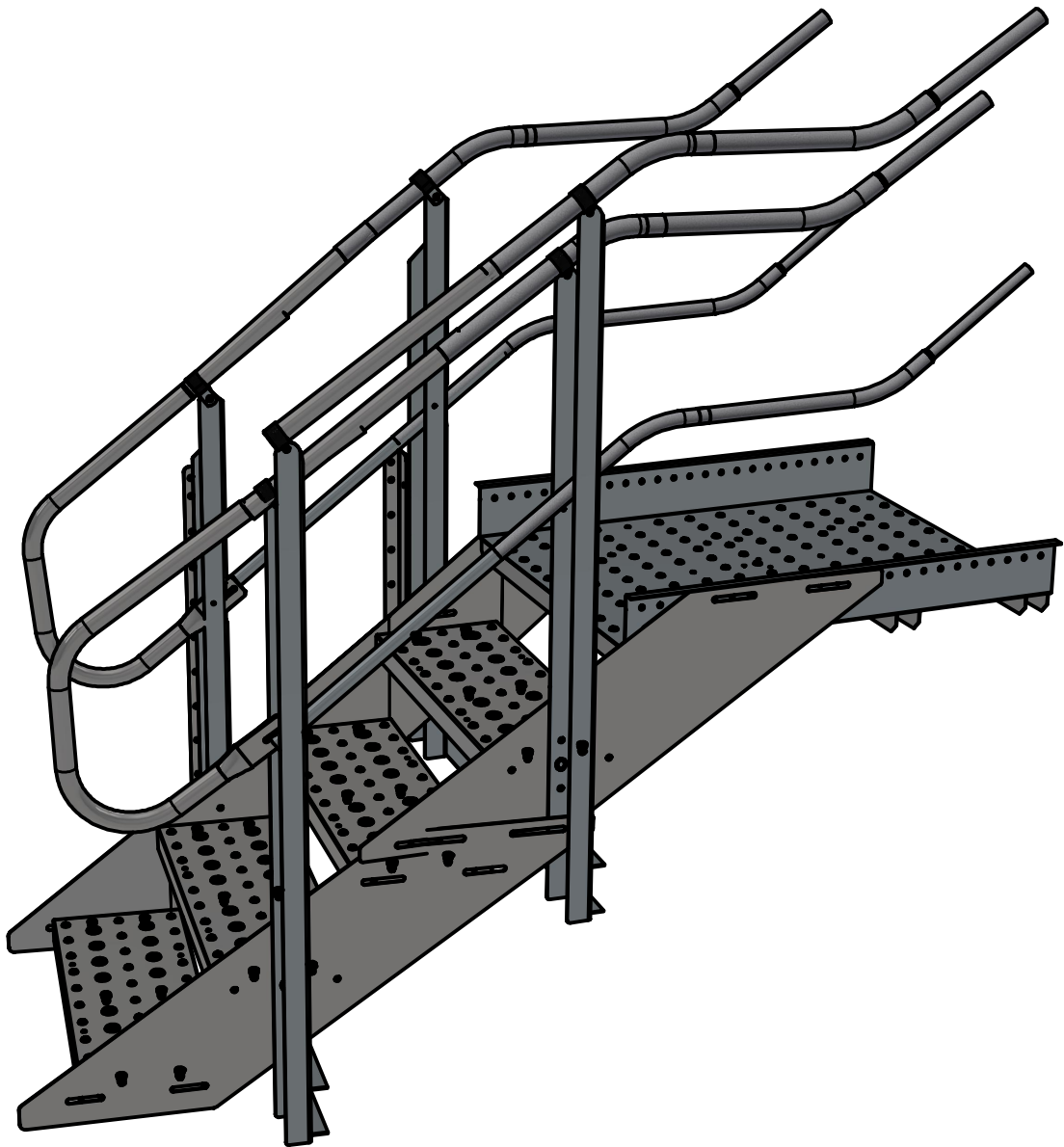
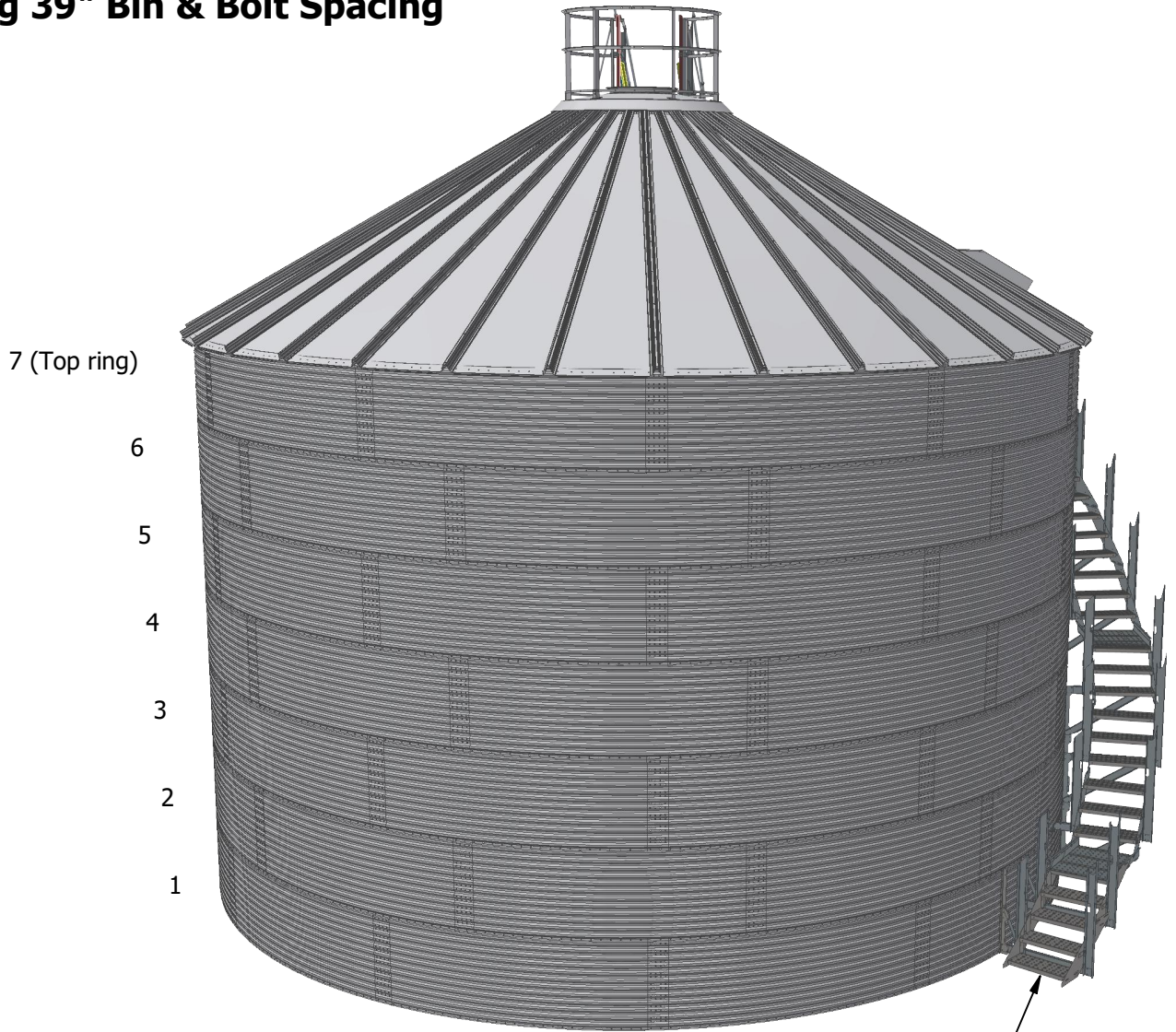


AWTB0391

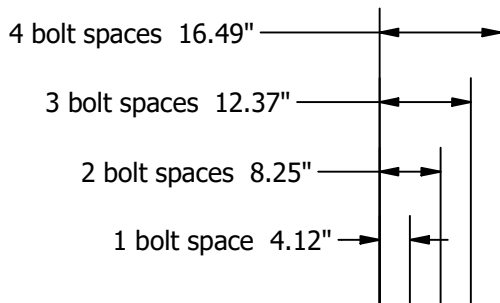
Termination Section for use on Odd-ring Bins



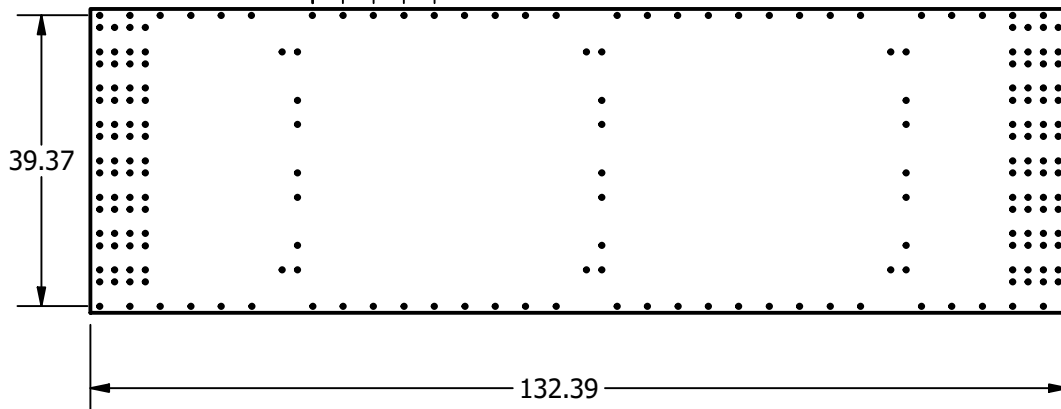
Odd-Ring 39" Bin & Bolt Spacing



AWTB0391 Termination Section



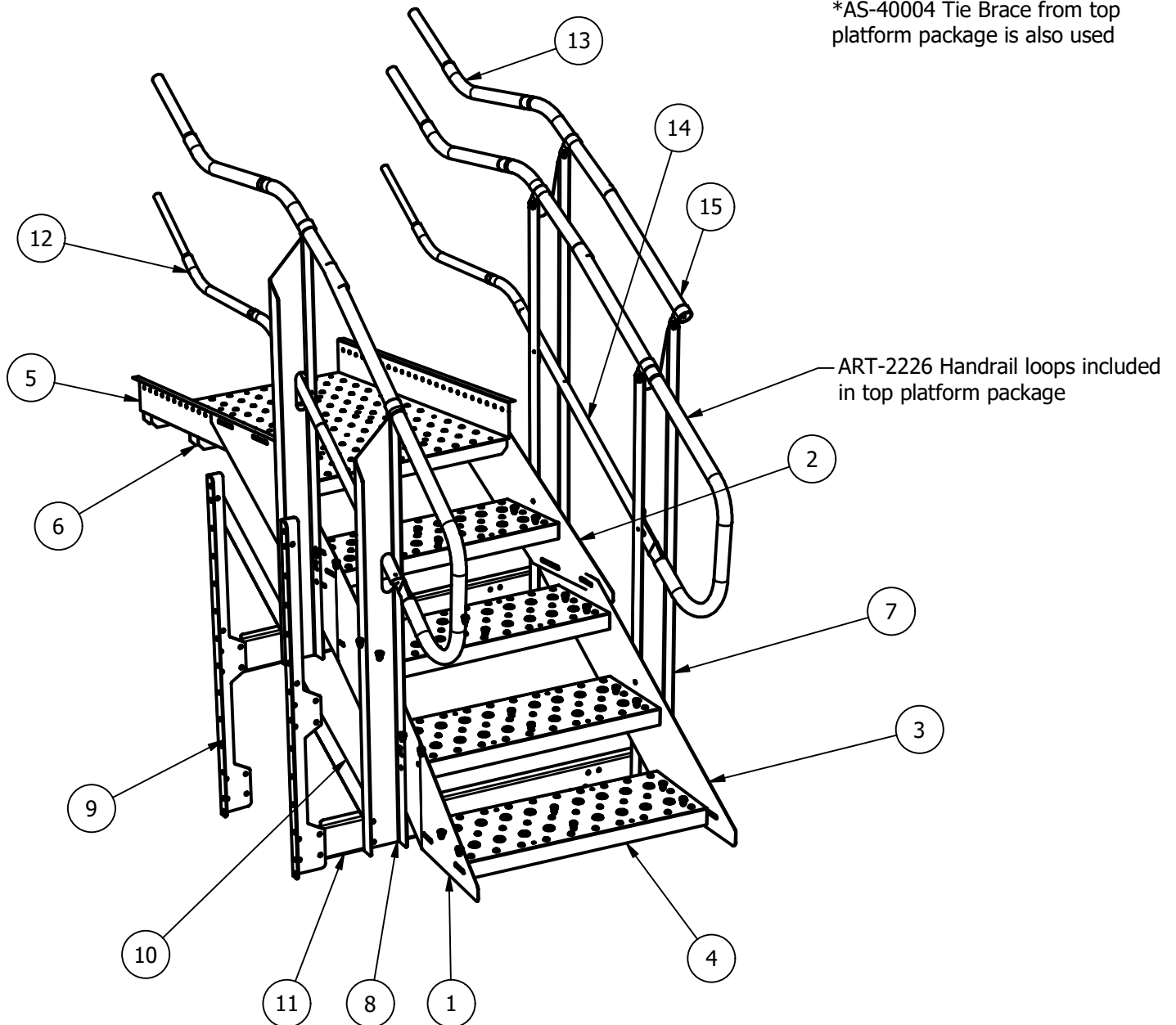
Wall bracket placement is marked by "Bolt Spaces" throughout these instructions. For A-series installation on 39" sheets, one bolt space = 4.125"



AWTB0391 Component Breakdown

PARTS LIST			
ITEM	QTY	PART NUMBER	DESCRIPTION
1	1	AS-39045	39 Stringer, Inside, 5 Step
2	1	AS-39047	39 Stringer, Outside, 2 Step
3	1	AS-39048	39 Stringer, Outside, 3 Step
4	4	AS00030	Tread Step 30 x 11
5	1	AS-43930	Tread, Landing Skin
6	4	AS-40036	Channel Landing Support
7	2	AS-40395	Post, Stair Rail, Guard Rail Outside
8	2	AS-40396	Post, Inside Stair
9	2	AS-40394	Wall Bracket
10	1	AS-40004	Bracket, Tie Brace*
11	2	AS-40002	Channel, Crossbar, Stair
12	4	AS-40010	1 in Railing, Rest Landing Swivel Elbow
13	6	AS-40009	1.5 Railing, Rest Landing Swivel Elbow
14	2	TR1003106	1" Midrail, 31" with 6" swedge
15	3	TR1503106	1.5" Railing, 31" with 6" swedge

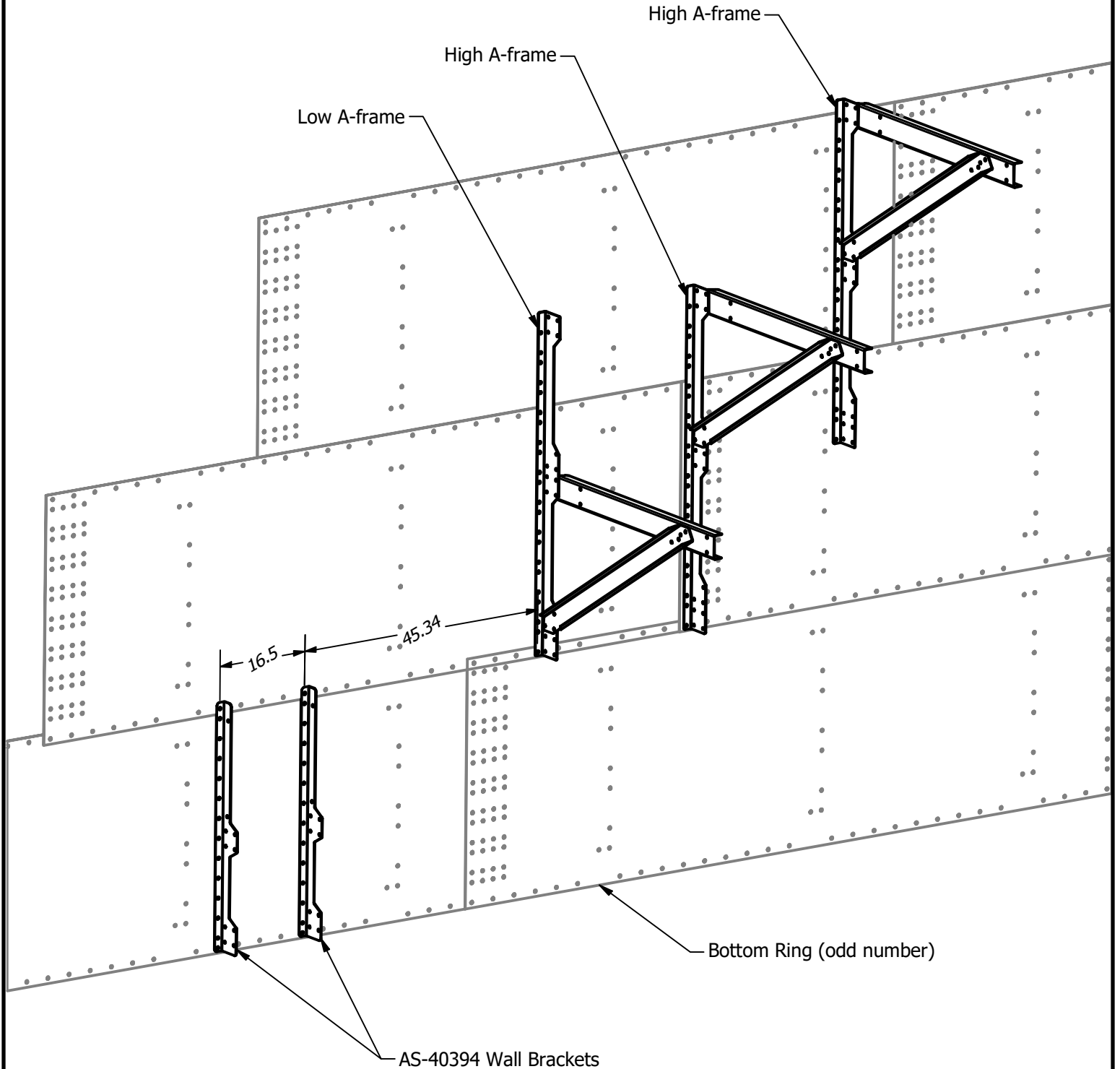
*AS-40004 Tie Brace from top platform package is also used



Attach Bottom Wall Brackets

Use the standard high-high-low A-frame layout until the second from the bottom seam is reached.

To locate the bottom wall brackets, count 12 bolt spaces (45.34 inches) and then place the AS-40394 Wall Brackets 4 bolt spaces apart (16.50 inches). They attach to the bin sheet seams as shown.



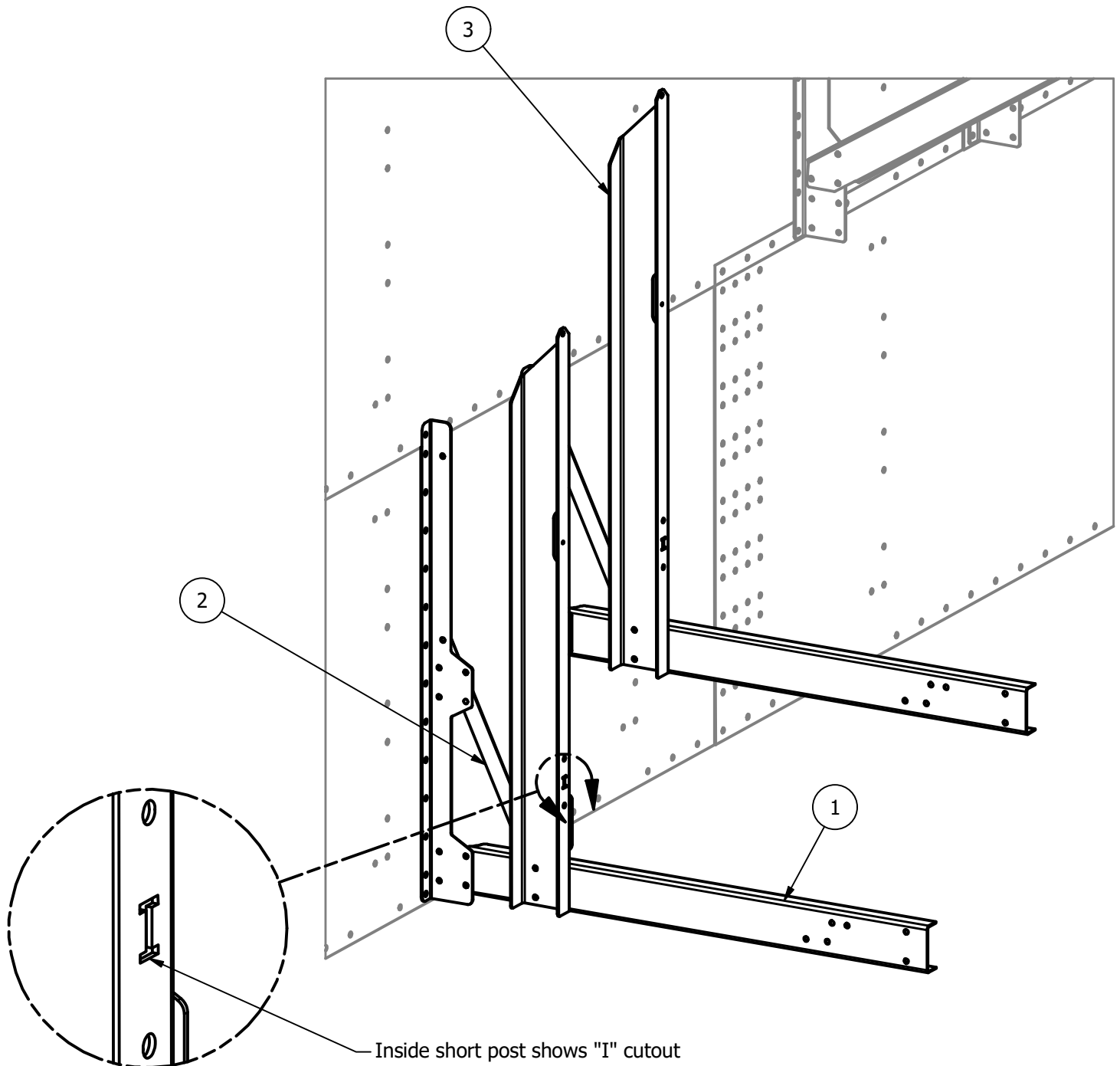
Bottom A-frames & Inside Post

PARTS LIST

ITEM	QTY	PART NUMBER	DESCRIPTION
1	5	AS-40002	Channel, Crossbar, Stair
2	2	AS-40004	Bracket, Tie Brace
3	2	AS-40396	Post, Inside, Bottom Section

Build bottom A-frames as shown below. The tie brace should be placed between the vertical inside post and the horizontal crossbar.

The slotted end points up and attaches to the wall bracket.



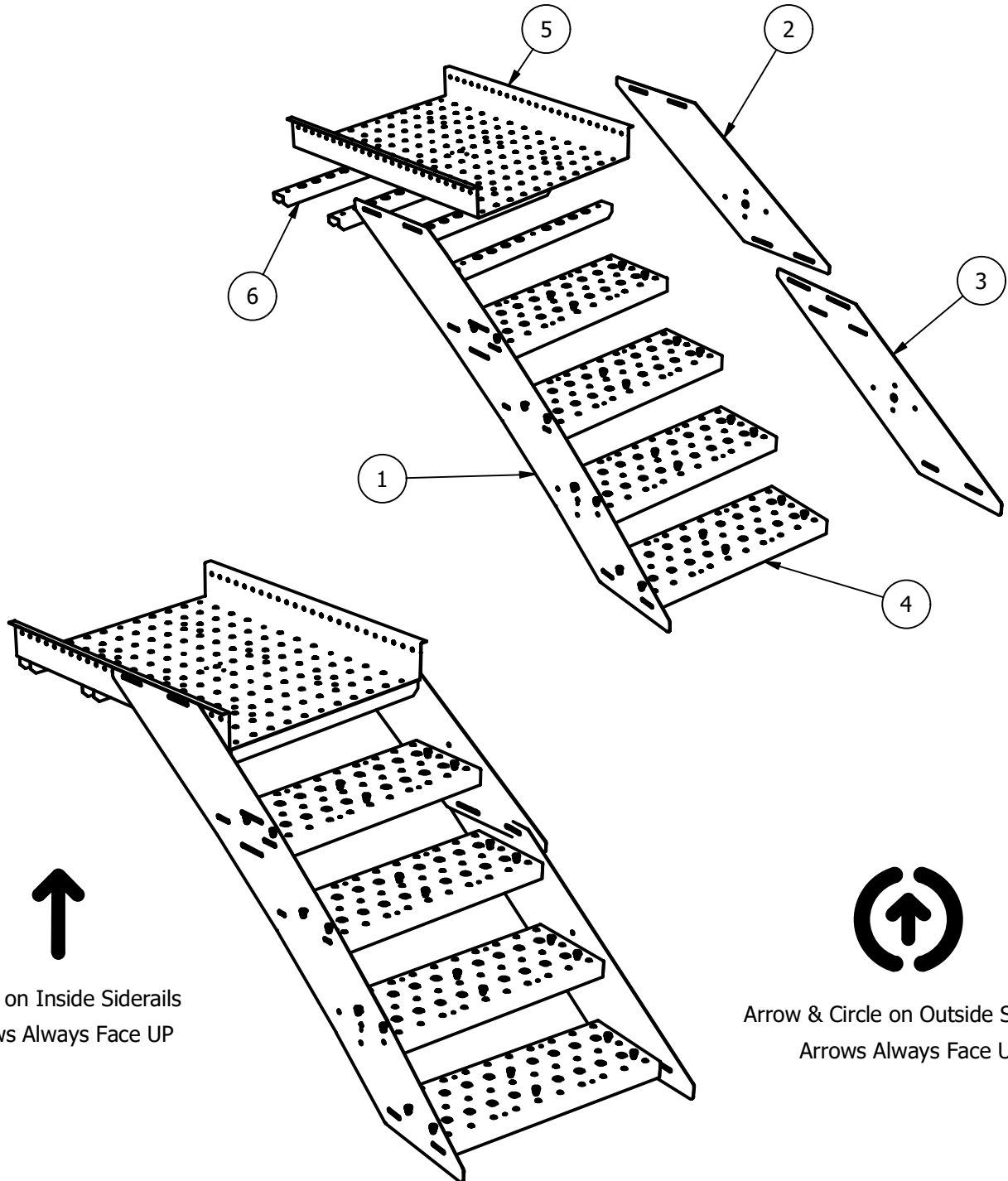
Assemble Stair Run

Build the stair section as shown below.

The example shows a counter-clockwise winding with the inside siderail on the left.
For stairs winding clockwise, place the inside siderail on the right.

Position the transition platform tray above the 4th step with the slots in the top of the siderails

PARTS LIST			
ITEM	QTY	PART NUMBER	DESCRIPTION
1	1	AS-39045	39 Stringer, Inside, 5 Step
2	1	AS-39047	39 Stringer, Outside, 2 Step
3	1	AS-39048	39 Stringer, Outside, 3 Step
4	4	AS00030	Tread Step 30 x 11
5	1	AS-43930	Tread, Landing Skin
6	4	AS-40036	Channel Landing Support



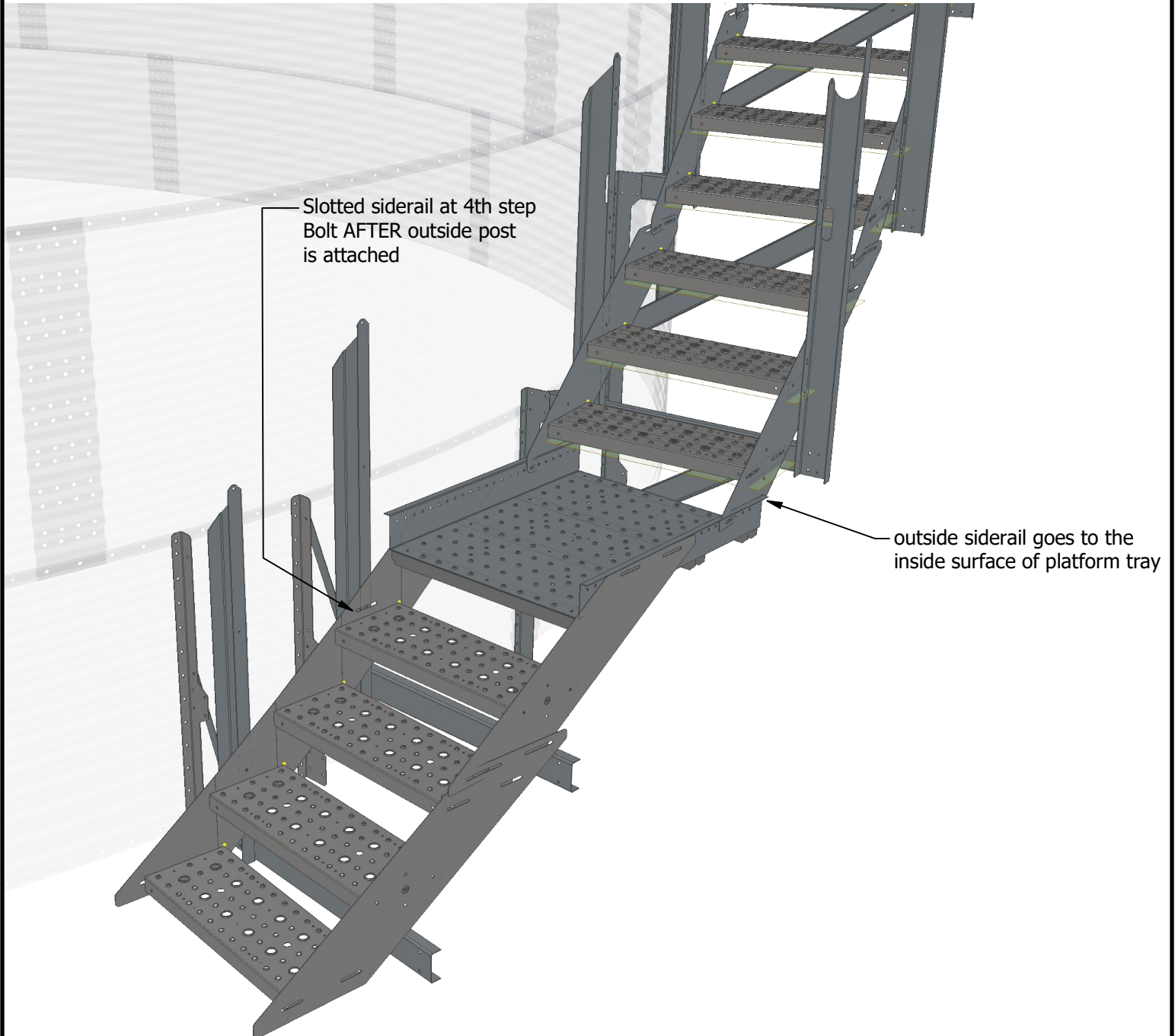
↑
Arrow on Inside Siderails
Arrows Always Face UP

⤴
Arrow & Circle on Outside Siderails
Arrows Always Face UP

Connect Bottom Stair Run

Mount the assembled stair section to the Inside Posts as shown.
Direct the siderails of the waiting 3-step stair section to the inside surfaces of the platform tray walls.
Use the slots along the bottom of the siderails to position the tray.

Use the slots at the 4th step of the bottom section to angle the A-frame for the outside post (next step).



Outside Posts & Railing

Attach Outside Posts to crossbars and outside siderails as shown.
The upper inside post should be left loose until step placement is finalized.

Assemble handrails and midrails as shown. Attach P-clamps to the top of the inside and outside posts, angle them to match the stair run. Use the handrail loops from the top platform package to finish the handrail.

All swaged ends point up. Space the bent sections such that they tie in with the handrail & midrail as it continues up the stair run.

