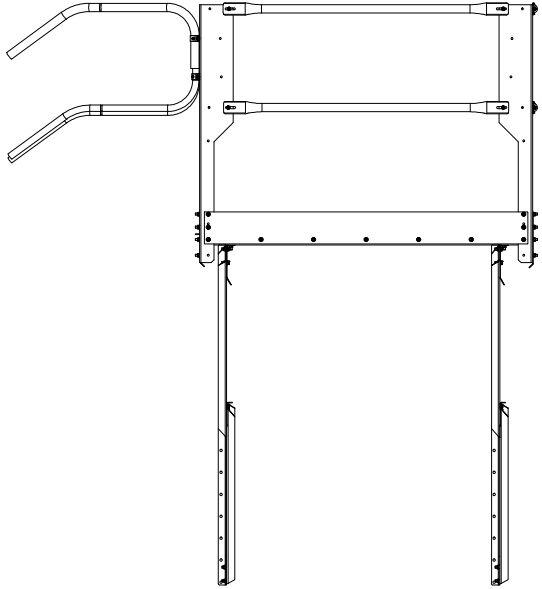
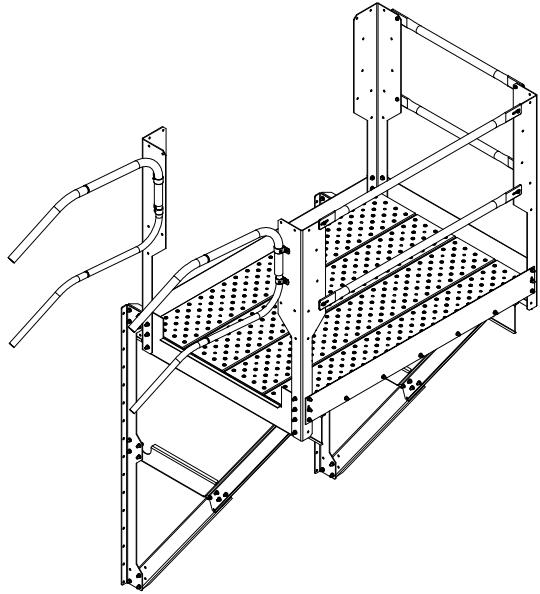


A-Series Sidewall Stairs

AWT8542 and AWT8642

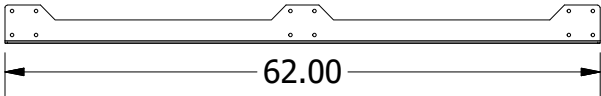
Assembly Instructions



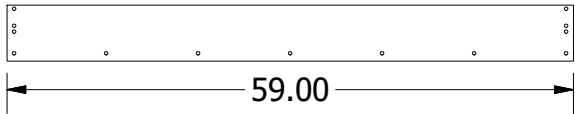
Greene Galvanized Stairs

Parts List

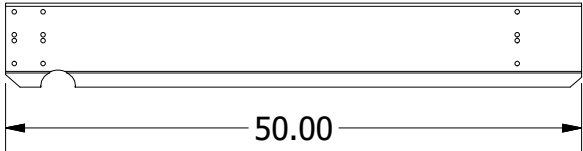
AS-40027



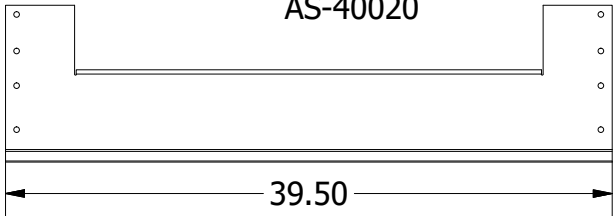
AS-40021



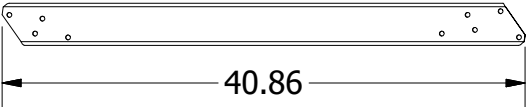
AS-40014



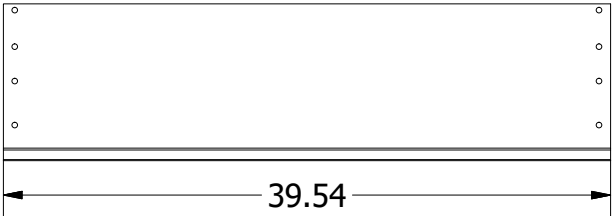
AS-40020



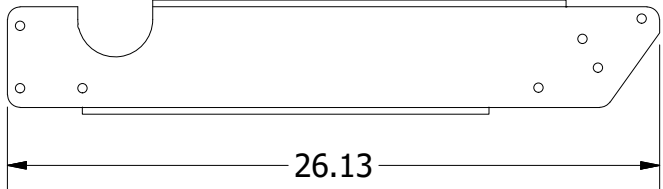
AS-40016



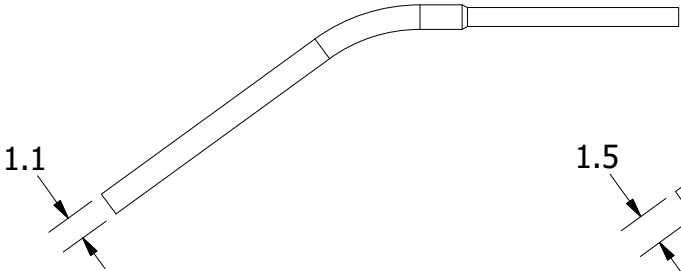
AS-40019



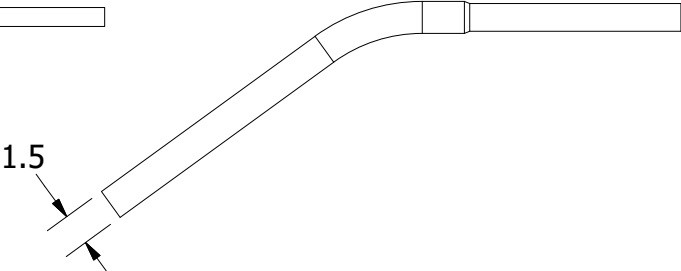
AS-40015



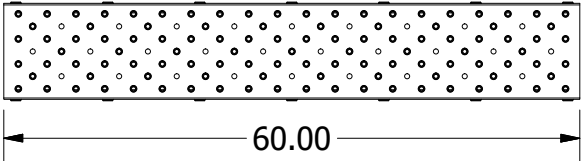
AS-40010



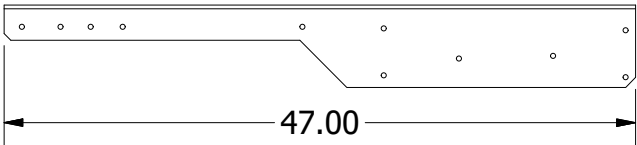
AS-40009



AS-40017

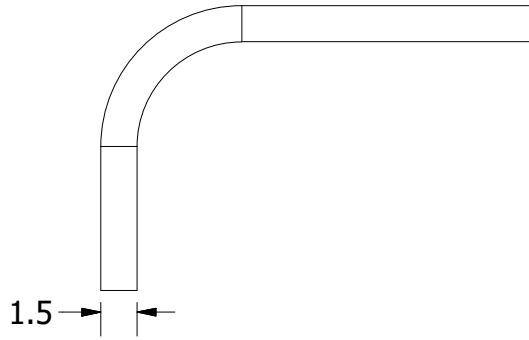


AS-40018

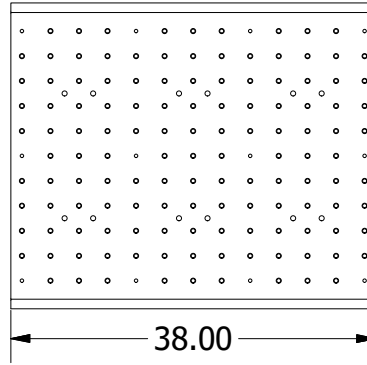


Parts List Continued

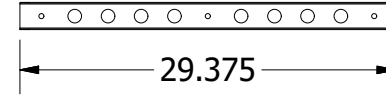
AS-40011



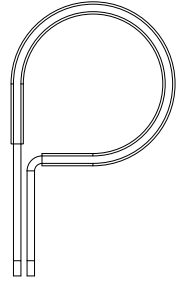
AS-40030



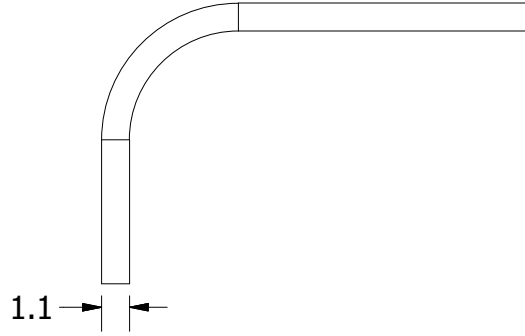
AS-40036



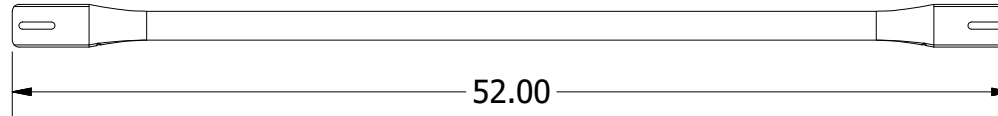
HRC1500



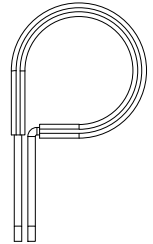
AS-40012



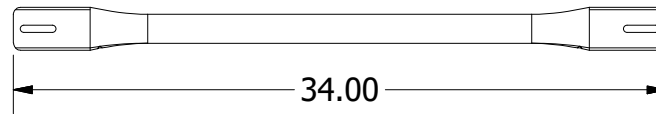
AS-40028



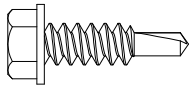
HRC1000



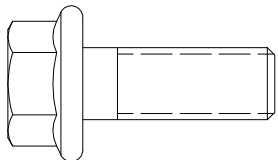
ASL-2001



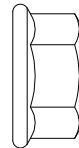
Floor Screw



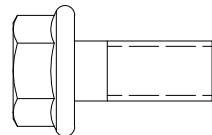
3/8-16x1SFB



3/8-16SFN



5/16-18x3/4FB



5/16-18SFN



Parts List Continued

AWT8542 End Platform

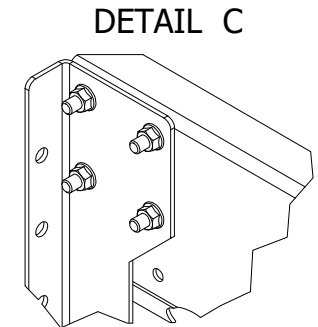
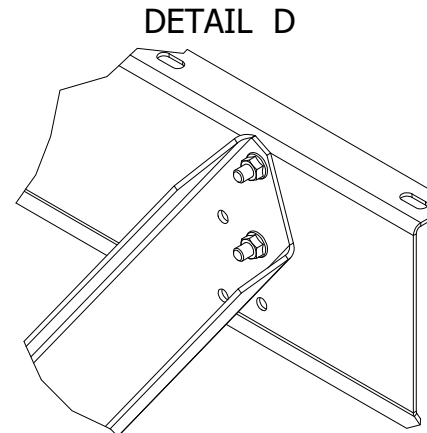
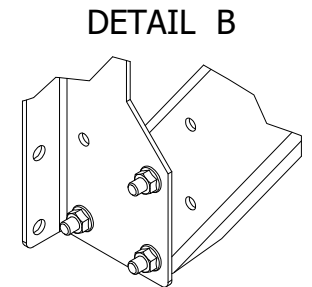
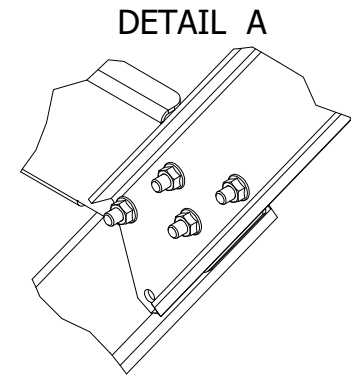
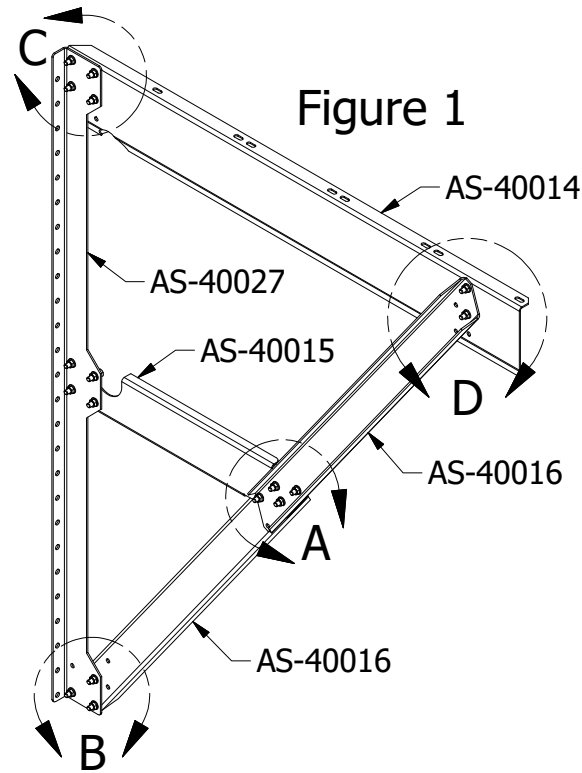
PARTS LIST AWT8542		
PART NUMBER	DESCRIPTION	QTY
AS-40027	Bracket, Wall, Platform 42" ring	2
AS-40014	Crossbar, Platform	2
AS-40016	Channel, Kneebrace, Platform	4
AS-40015	Bracket, Tiebrace, Platform	2
3/8-16x1SFB	3/8"-16 x 1" Flange Bolt	125
3/8-16SFN	3/8"-16 Whiz Lock Nut	125
AS-40017	Plank, Tread, 10x60x14ga	4
AS-40018	Angle, Post, Flared	4
AS-40021	Plate, Kickboard, Side	2
AS-40020	Plate, Kickboard, Entry	1
AS-40019	Plate, Kickboard, End	1
AS-40028	Walkaround Top Rail	2
ASL-2001	Walkaround Top Rail	2
5/16-18x3/4FB	5/16"-18 x 13/4" Flange Bolt	4
5/16-18SFN	5/16"-18 Whiz Lock Nut	4
AS-40010	1 in Railing, Rest Landing Swivel Elbow	2
AS-40009	1.5 Railing, Rest Landing Swivel Elbow	2
AS-40011	1.5 Railing End 90deg	2
AS-40012	1 in Railing End 90deg	2
HRC1500	1.5" Handrail Clamp	2
HRC1000	1" Handrail Clamp	2
Floor Screw	Self-Tapping Screw	8
AS-40030	Tread, Landing Skin	1
AS-40036	Channel Landing Support	4

AWT8642 Through Platform

PARTS LIST AWT8642		
PART NUMBER	DESCRIPTION	QTY
AS-40013	Bracket, Wall, Platform 44" ring	2
AS-40014	Crossbar, Platform	2
AS-40016	Channel, Kneebrace, Platform	4
AS-40015	Bracket, Tiebrace, Platform	2
3/8-16x1SFB	3/8"-16 x 1" Flange Bolt	125
3/8-16SFN	3/8"-16 Whiz Lock Nut	125
AS-40017	Plank, Tread, 10x60x14ga	4
AS-40018	Angle, Post, Flared	4
AS-40021	Plate, Kickboard, Side	2
AS-40020	Plate, Kickboard, Entry	2
AS-40028	Walkaround Top Rail	2
5/16-18x3/4FB	5/16"-18 x 13/4" Flange Bolt	12
5/16-18SFN	5/16"-18 Whiz Lock Nut	12
AS-40010	1 in Railing, Rest Landing Swivel Elbow	2
AS-40009	1.5 Railing, Rest Landing Swivel Elbow	2
AS-40011	1.5 Railing End 90deg	2
AS-40012	1 in Railing End 90deg	2
HRC1500	1.5" Handrail Clamp	2
HRC1000	1" Handrail Clamp	2
Floor Screw	Self-Tapping Screw	8
AS-40030	Tread, Landing Skin	1
AS-40036	Channel Landing Support	4

Step 1 - AWT8542 - End Platform

- A. Attach an AS-40014 cross brace to wall bracket AS-40027. Secure using four (4) 3/8" Flange Bolts and four (4) 3/8" Lock Nuts. Refer to Detail C.
- B. Attach an AS-40015 cross brace to wall bracket AS-40027, as shown in Figure 1. Secure using four (4) 3/8" Flange Bolts and four (4) 3/8" Lock Nuts.
- C. Attach the lower AS-40016 to wall bracket AS-40027. Refer to Detail B. Secure using three (3) 3/8" Flange Bolts and three (3) 3/8" Lock Nuts. The flanges on the AS-40016 will be facing to the right, when looking at the bracket head-on.
- D. Attach the upper AS-40016 to cross brace AS-40014. Refer to Detail D. The flanges on the AS-40016 will be facing to the left. Secure using two (2) 3/8" Flange Bolts and two (2) 3/8" Lock Nuts.
- E. Repeat steps A through D for the next wall bracket assembly.
- F. Attach each wall bracket to the bin using no fewer than eight (8) 3/8" Flange Bolts and eight (8) 3/8" Lock Nuts on each bracket. Using fewer than sixteen (16) total will restrict loading limits and compromise safety. Drilling may be required.
- G. Bracket spacing should be five (5) bolt spaces apart.

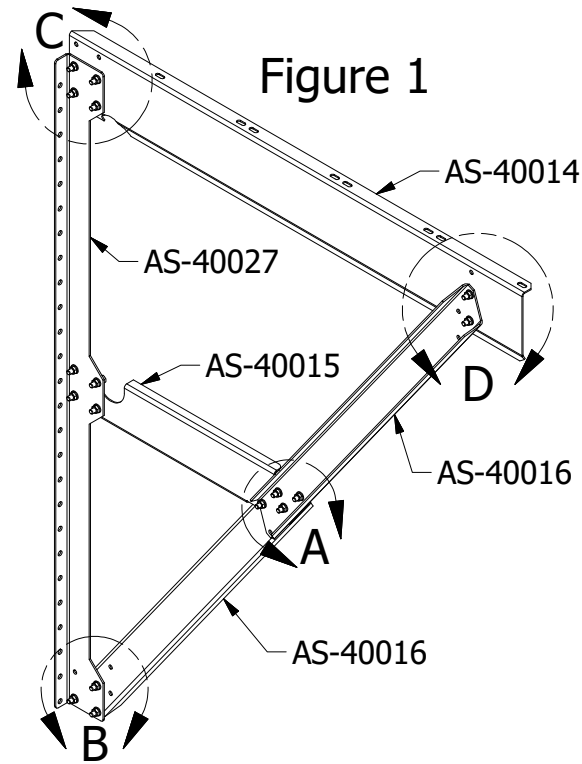


PARTS USED IN STEP 1		
PART NUMBER	DESCRIPTION	QTY
AS-40027	Bracket, Wall, Platform 42" ring	2
AS-40014	Crossbar, Platform	2
AS-40016	Channel, Kneebrace, Platform	4
AS-40015	Bracket, Tiebrace, Platform	2
3/8-16x1SFB	3/8"-16 x 1" Flange Bolt	34
3/8-16SFN	3/8"-16 Whiz Lock Nut	34

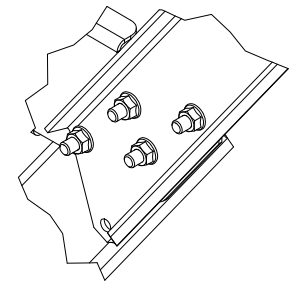
DRAWN Marcus Wilmsmeyer	6/5/2018	Greene Galvanized Stairs East Lynn, IL 217.375.4244 www.greenebinstairs.com	
CHECKED		TITLE AWT Platform Assembly Instructions	
QA		SIZE A	DWG NO IN-AWT8042
MFG		SCALE 1/15	REV
APPROVED		SHEET 5 OF 11	

Step 1 - AWT8642 - Through Platform

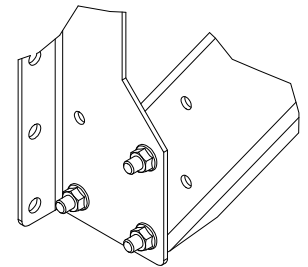
- A. Attach an AS-40014 cross brace to wall bracket AS-40027. Secure using four (4) 3/8" Flange Bolts and four (4) 3/8" Lock Nuts. Refer to Detail C.
- B. Attach an AS-40015 cross brace to wall bracket AS-40027, as shown in Figure 1. Secure using four (4) 3/8" Flange Bolts and four (4) 3/8" Lock Nuts.
- C. Attach the lower AS-40016 to wall bracket AS-40027. Refer to Detail B. Secure using three (3) 3/8" Flange Bolts and three (3) 3/8" Lock Nuts. The flanges on the AS-40016 will be facing to the right, when looking at the bracket head-on.
- D. Attach the upper AS-40016 to cross brace AS-40014. Refer to Detail D. The flanges on the AS-40016 will be facing to the left. Secure using two (2) 3/8" Flange Bolts and two (2) 3/8" Lock Nuts.
- E. Repeat steps A through D for the next wall bracket assembly.
- F. Attach each wall bracket to the bin using no fewer than eight (8) 3/8" Flange Bolts and eight (8) 3/8" Lock Nuts on each bracket. Using fewer than sixteen (16) total will restrict loading limits and compromise safety. Drilling may be required.
- G. Bracket spacing should be five (5) bolt spaces apart.



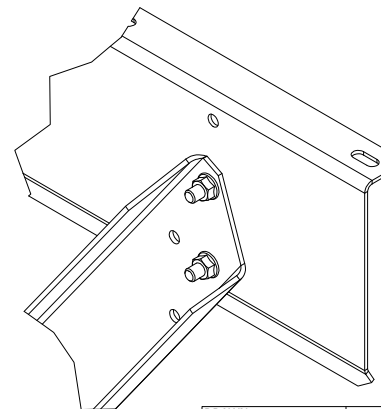
DETAIL A



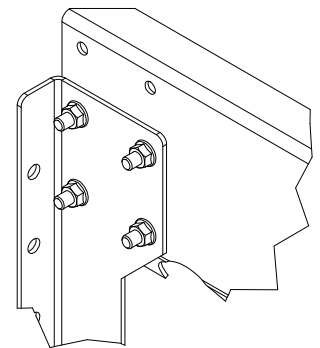
DETAIL B



DETAIL D



DETAIL C



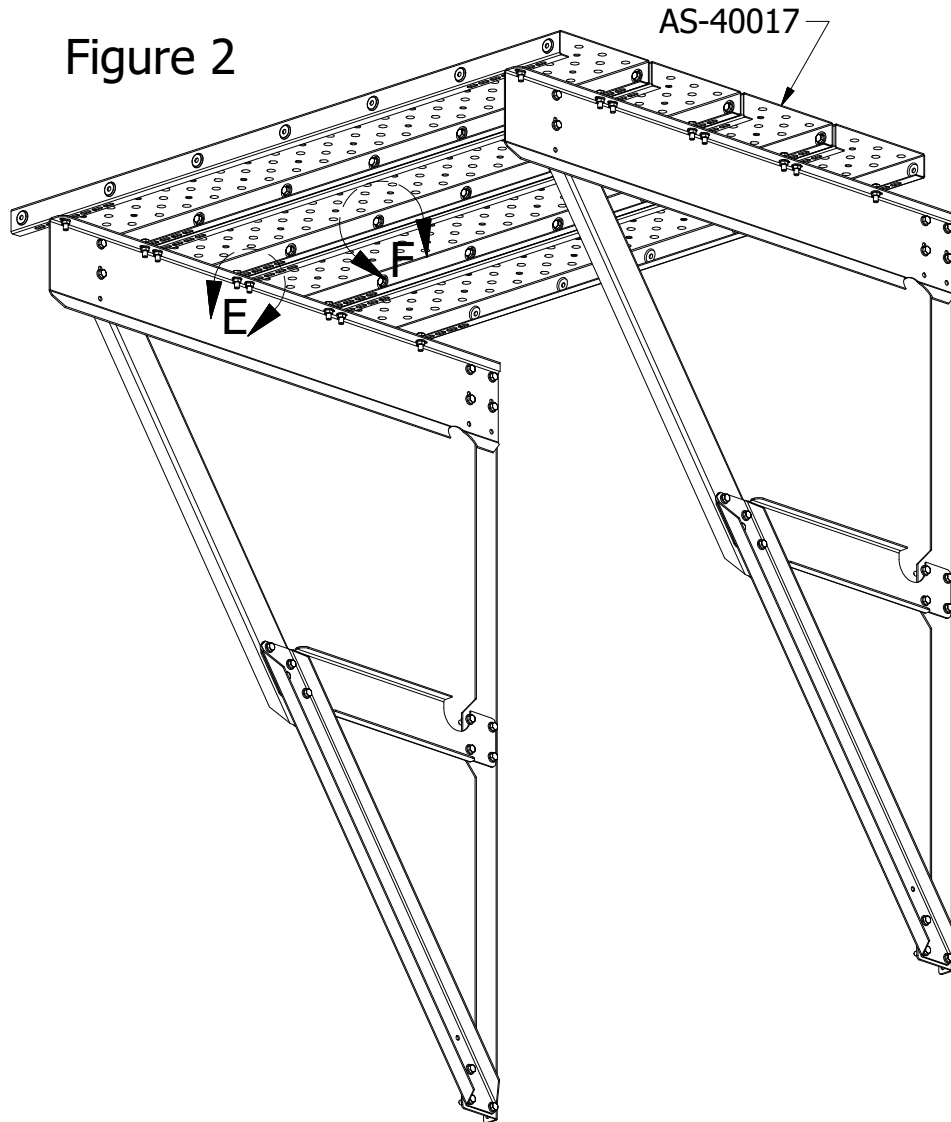
PARTS USED IN STEP 1		
PART NUMBER	DESCRIPTION	QTY
AS-40027	Bracket, Wall, Platform 42" ring	2
AS-40014	Crossbar, Platform	2
AS-40016	Channel, Kneebrace, Platform	4
AS-40015	Bracket, Tiebrace, Platform	2
3/8-16x1SFB	3/8"-16 x 1" Flange Bolt	34
3/8-16SFN	3/8"-16 Whiz Lock Nut	34

DRAWN Marcus Wilmsmeyer	6/5/2018	Greene Galvanized Stairs East Lynn, IL 217.375.4244 www.greenebinstairs.com	
CHECKED		TITLE AWT Platform Assembly Instructions	
QA		SIZE A	DWG NO IN-AWT8042
MFG		SCALE 1/15	REV
APPROVED		SHEET 6 OF 11	

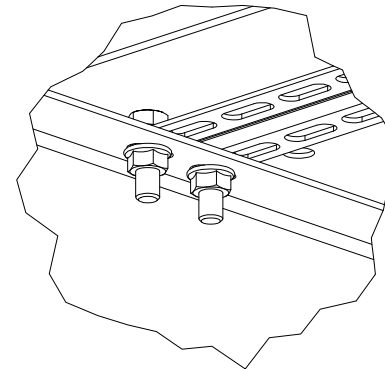
Step 2

- A. Place the four AS-40017 deck planks on top of the wall brackets assembled in Step 1.
- B. Secure in place using sixteen (16) 3/8" Flange Bolts and sixteen (16) 3/8" Lock Nuts, as shown in Detail E.
- C. Using twenty-one (21) 3/8" Flange Bolts and twenty-one (21) 3/8" Lock Nuts, secure the four AS-40017 deck planks together.

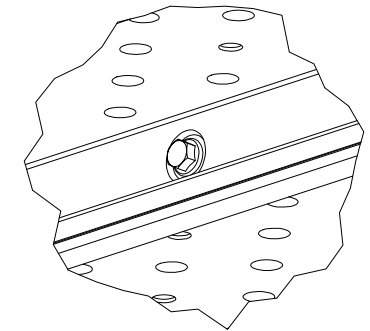
Figure 2



DETAIL E



DETAIL F



PARTS USED IN STEP 2

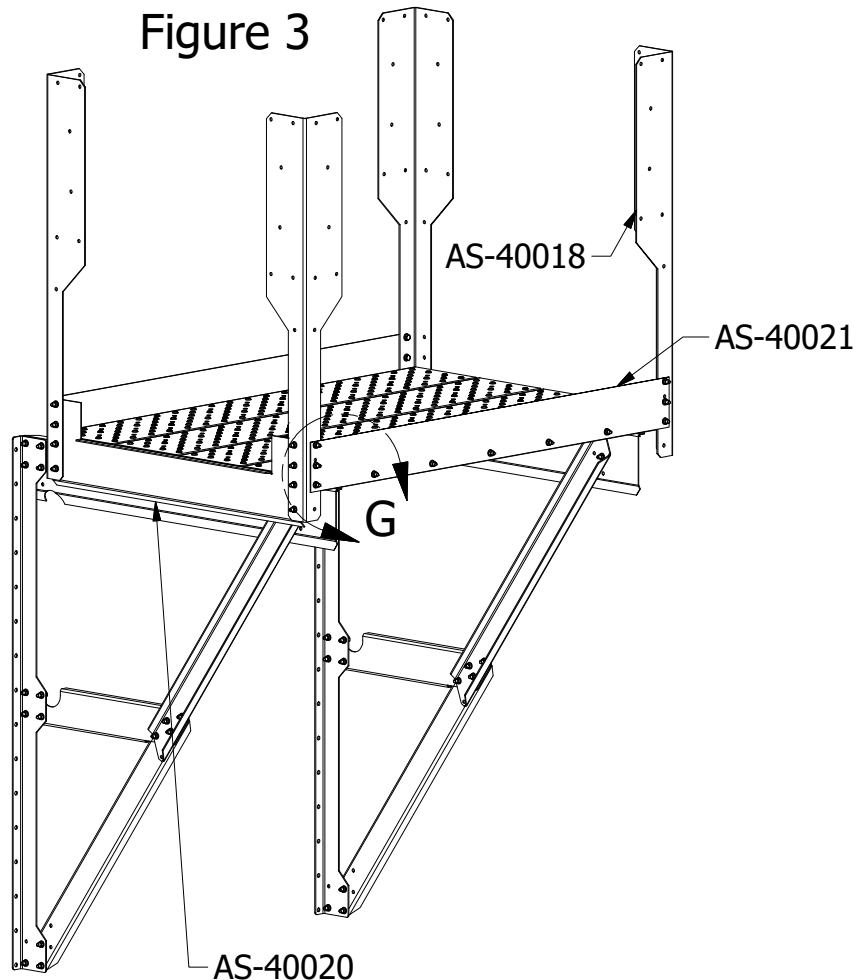
PART NUMBER	DESCRIPTION	QTY
AS-40017	Deck Plank Tread	4
3/8-16x1SFB	3/8"-16 x 1" Flange Bolt	37
3/8-16SFN	3/8"-16 Whiz Lock Nut	37

DRAWN Marcus Wilmsmeyer	6/5/2018	Greene Galvanized Stairs East Lynn, IL 217.375.4244 www.greenebinstairs.com	
CHECKED		TITLE AWT Platform Assembly Instructions	
QA		SIZE A	DWG NO IN-AWT8042
MFG		SCALE 1/15	REV
APPROVED		SHEET 7 OF 11	

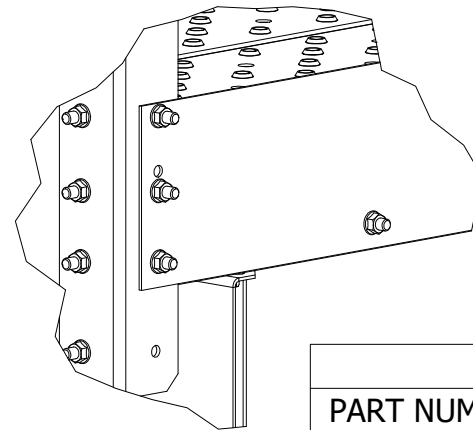
Step 3

- A. Place the AS-40020 front kickboard along the front of the deck. The top flange should be facing away from the deck planks.
- B. Take the four AS-40018 posts and mount them on the deck planks. On the posts, the second hole from the bottom will line up with the deck planks.
- C. Place the AS-40021 kickboards along the side holes on the deck plank, and secure the AS-40021 and AS-40018 components using eleven (11) 3/8" Flange Bolts and eleven (11) 3/8" Lock Nuts on each side. Refer to Figure 3.
- D. Bolt two AS-40018 posts to the AS-40020 using eight (8) 3/8" Flange Bolts and eight (8) 3/8" Lock Nuts.

Figure 3



DETAIL G



PARTS USED IN STEP 3

PART NUMBER	DESCRIPTION	QTY
AS-40018	Flared Angle Post	4
AS-40021	Platform Side Kickboard	2
AS-40020	Plate, Kickboard, Entry	1
3/8-16x1SFB	3/8"-16 x 1" Flange Bolt	30
3/8-16SFN	3/8"-16 Whiz Lock Nut	30

DRAWN Marcus Wilmsmeyer	6/5/2018	Greene Galvanized Stairs East Lynn, IL 217.375.4244 www.greenebinstairs.com	
CHECKED		TITLE AWT Platform Assembly Instructions	
QA		SIZE A	DWG NO IN-AWT8042
MFG		SCALE 1/22	REV
APPROVED		SHEET 8	OF 11

Step 4

- A. Place end kickboard AS-40019 on the end of the platform. For the AWT8642, instead of an end kickboard, it will be an entry kickboard, part AS-40020.
- B. Secure in place using eight (8) 3/8" Flange Bolts and eight (8) 3/8" Lock Nuts.
- C. Place the AS-40028 handrails and ASL-2001 handrails on the posts. The AWT8642 will not have ASL-2001 rails, as it is a through platform.
- D. Secure them in place with eight (8) 5/16" Flange Bolts and eight (8) 5/16" Lock Nuts.

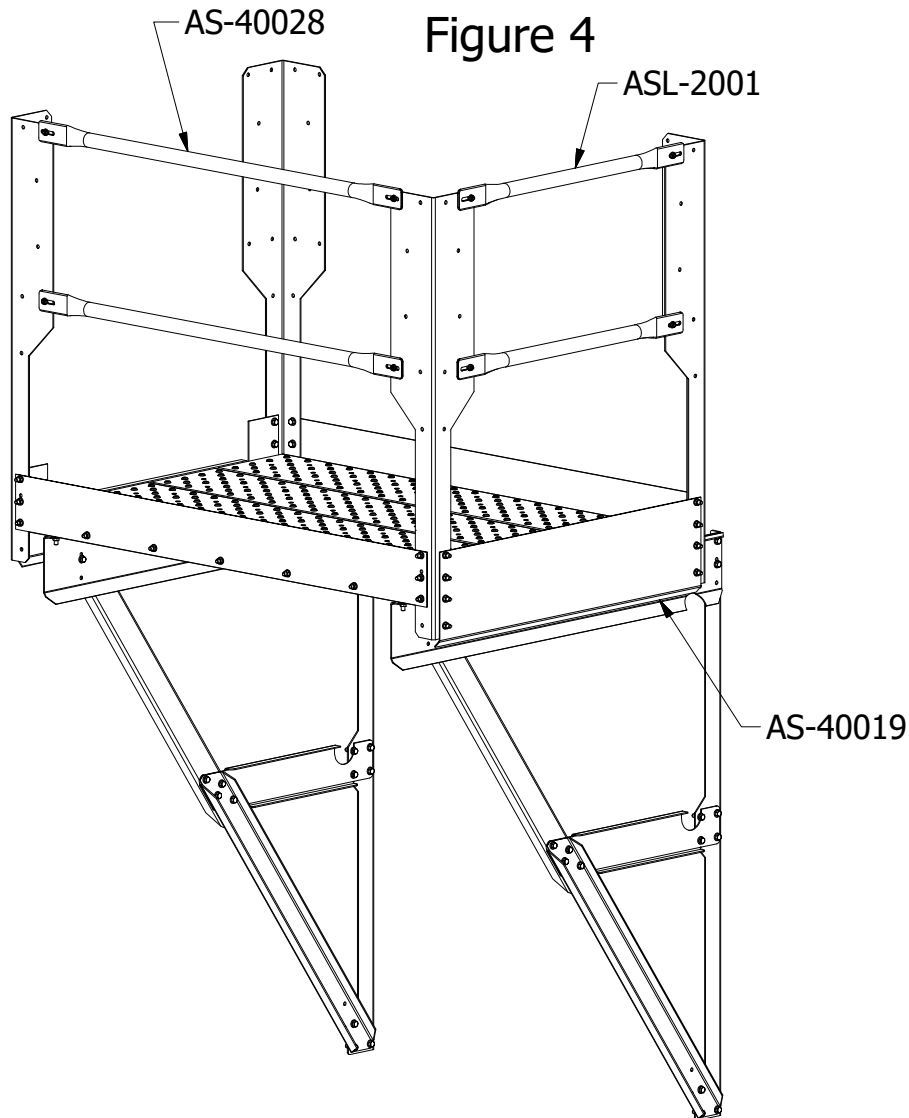


Figure 4

PARTS USED IN STEP 4		
PART NUMBER	DESCRIPTION	QTY
3/8-16x1SFB	3/8"-16 x 1" Flange Bolt	8
3/8-16SFN	3/8"-16 Whiz Lock Nut	8
AS-40019	End Kickboard	1
AS-40028	Walkaround Side Top Rail	2
ASL-2001	Walkaround End Top Rail	2
5/16-18x3/4FB	5/16"-18 x 13/4" Flange Bolt	8
5/16-18SFN	5/16"-18 Whiz Lock Nut	8

DRAWN Marcus Wilmsmeyer	6/5/2018	Greene Galvanized Stairs East Lynn, IL 217.375.4244 www.greenebinstairs.com	
CHECKED		TITLE AWT Platform Assembly Instructions	
QA		SIZE A	DWG NO IN-AWT8042
MFG		SCALE 1/20	REV
APPROVED		SHEET 9 OF 11	

Step 5

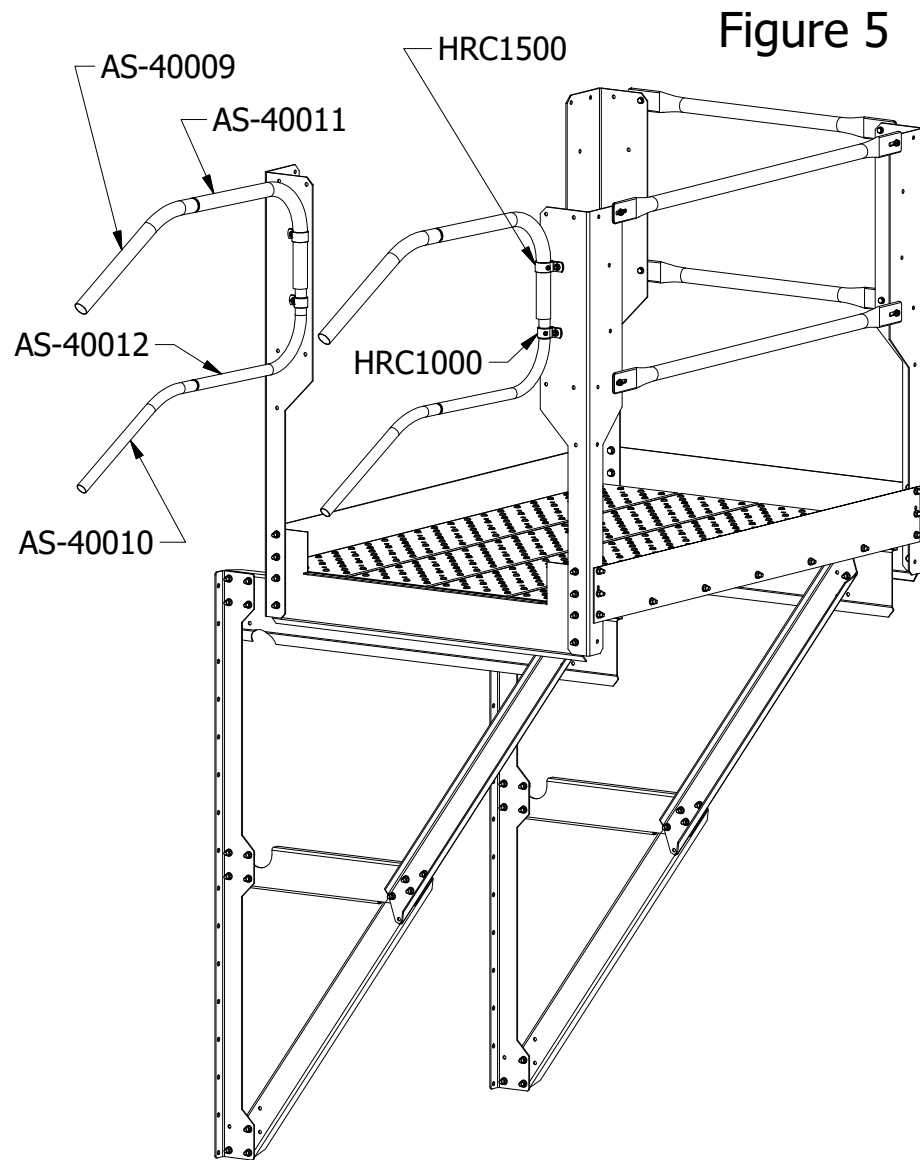


Figure 5

- Attach AS-40011 to the vertical post using an HRC1500 handrail clamp and a 5/16" Flange Bolt and 5/16" Lock Nut.
- Insert AS-40012 into rail AS-40011, and attach to the vertical post using an HRC1000 handrail clamp and a 5/16" Flange Bolt and 5/16" Lock Nut.
- Insert the swaged end of handrail AS-40010 into AS-40012, and AS-40009 into AS-40011.
- Ensure the rails are level, and secure AS-40010 to AS-40012 with a Tech Screw, and AS-40009 to AS-40011 with another Tech Screw.
- Repeat A-D for the other handrail.

PARTS USED IN STEP 5		
PART NUMBER	DESCRIPTION	QTY
5/16-18x3/4FB	5/16"-18 x 13/4" Flange Bolt	4
5/16-18SFN	5/16"-18 Whiz Lock Nut	4
AS-40010	1 in Railing, Rest Landing Swivel Elbow	2
AS-40009	1.5 Railing, Rest Landing Swivel Elbow	2
AS-40011	1.5 Railing End 90deg	2
AS-40012	1 in Railing End 90deg	2
HRC1500	1.5" Handrail Clamp	2
HRC1000	1" Handrail Clamp	2
Floor Screw	Self-Tapping Screw	8
AS-40030	Tread, Landing Skin	1
AS-40036	Channel Landing Support	4

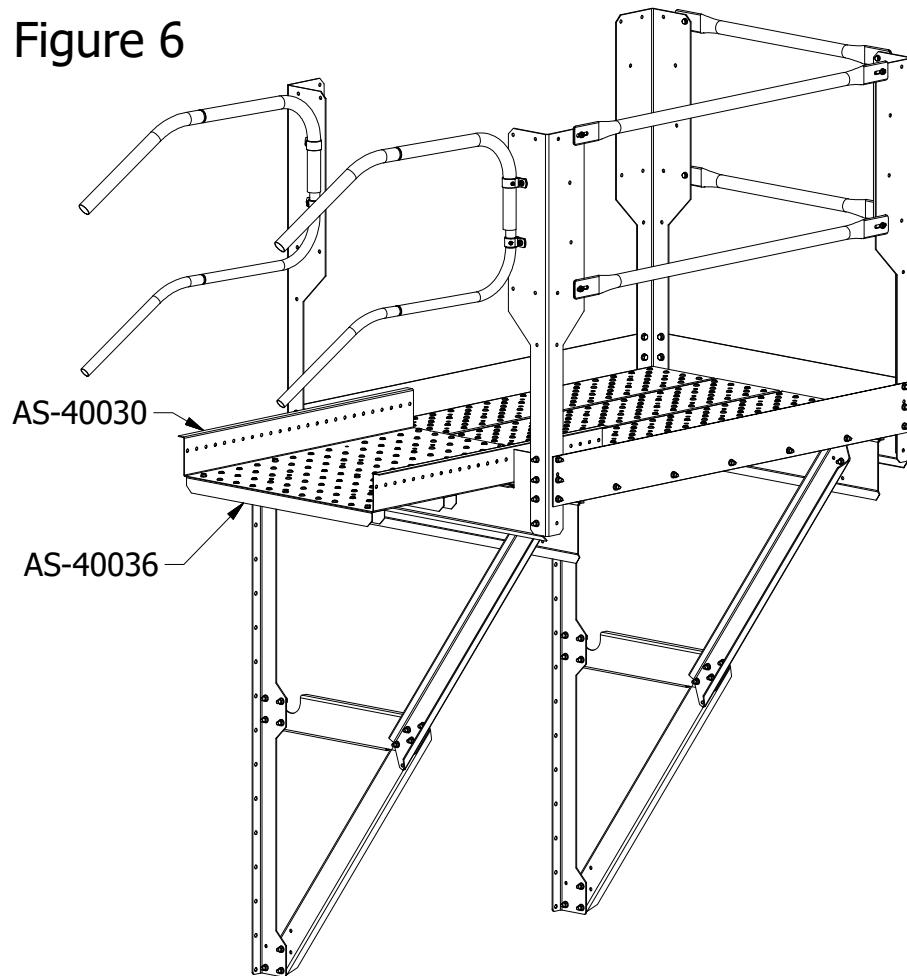
DRAWN Marcus Wilmsmeyer	6/5/2018	Greene Galvanized Stairs East Lynn, IL 217.375.4244 www.greenebinstairs.com	
CHECKED		TITLE AWT Platform Assembly Instructions	
QA		SIZE A	DWG NO IN-AWT8042
MFG		SCALE 1/20	REV
APPROVED		SHEET 10	OF 11

Step 6

PARTS USED IN STEP 6

PART NUMBER	DESCRIPTION	QTY
3/8-16x1SFB	3/8"-16 x 1" Flange Bolt	4
3/8-16SFN	3/8"-16 Whiz Lock Nut	4
5/16-18x3/4FB Pan	5/16"-18 x 13/4" Pan Head Flange Bolt	12
5/16-18SFN	5/16"-18 Whiz Lock Nut	12
AS-40030	Tread, Landing Skin	1
AS-40036	Channel Landing Support	4

Figure 6



- Attach braces AS-40036 to the platform skin AS-40030. Each installation will be different, but usually two braces will suffice.
- Secure in place with three (3) Pan Head Bolts and three (3) Lock Nuts for each brace.
- Line up the platform skin with the previous stair section, and bolt in using four (4) 3/8" Flange Bolts and four (4) 3/8" Lock Nuts.
- After final adjustments have been made for the stairs, secure the platform skin (AS-40030) to the platform using three (3) Floor Screws.

DRAWN Marcus Wilmsmeyer	6/5/2018	Greene Galvanized Stairs East Lynn, IL 217.375.4244 www.greenebinstairs.com	
CHECKED		TITLE AWT Platform Assembly Instructions	
QA		SIZE A	DWG NO IN-AWT8042
MFG		SCALE 1/22	REV
APPROVED		SHEET 11 OF 11	