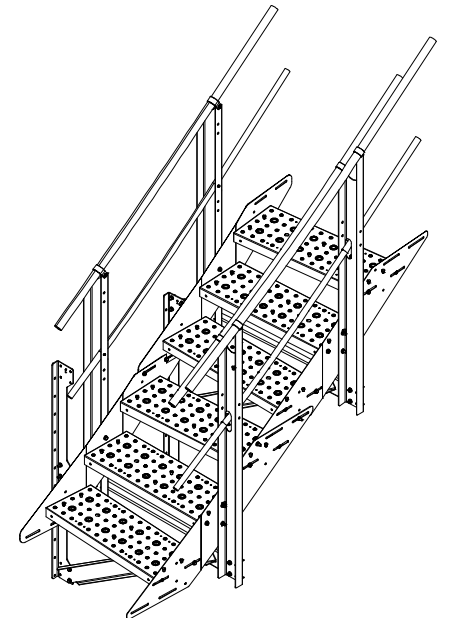
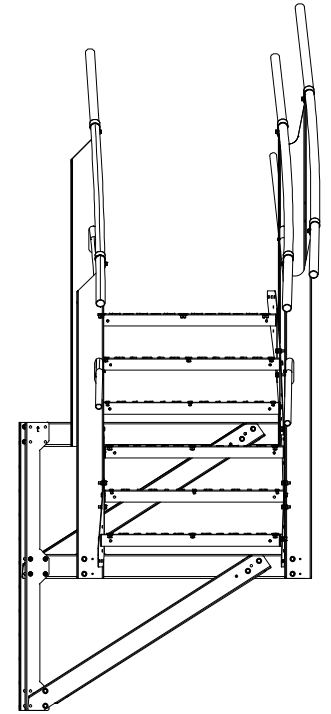
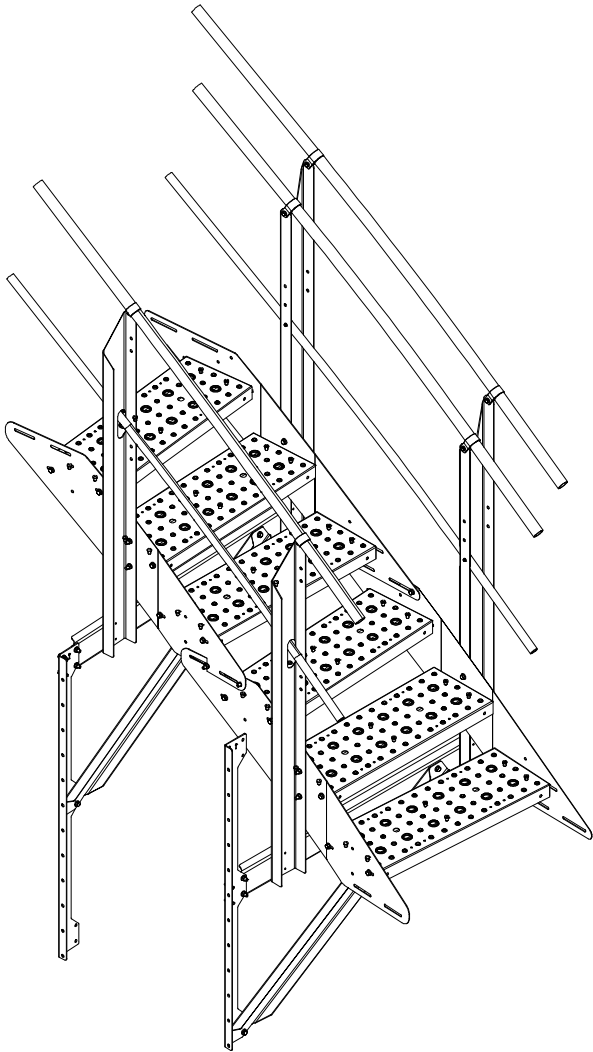


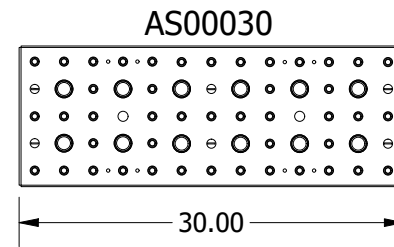
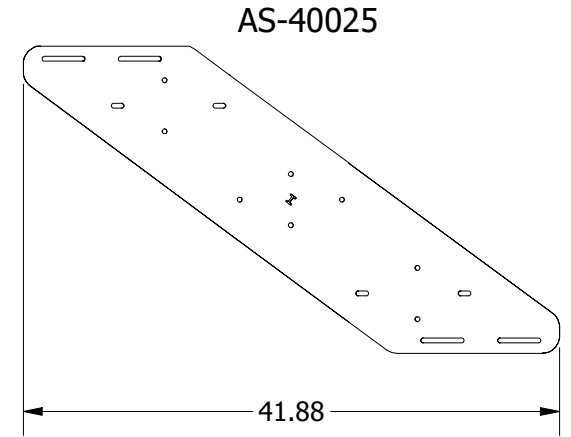
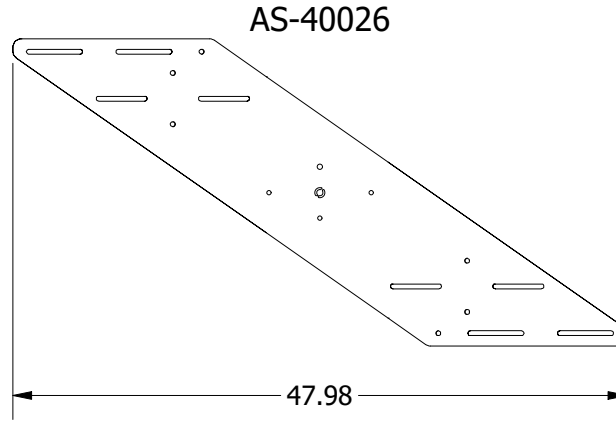
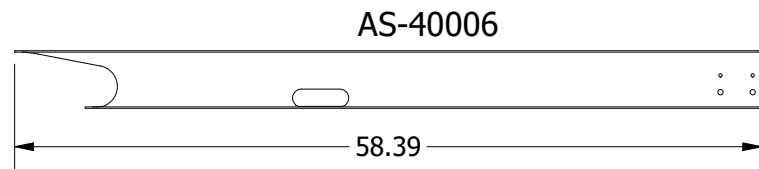
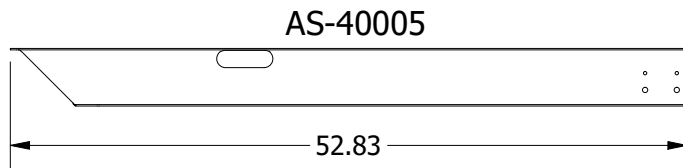
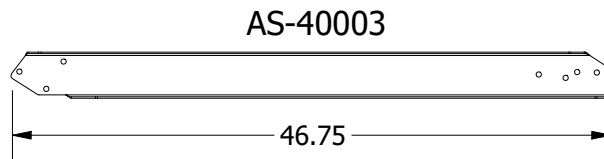
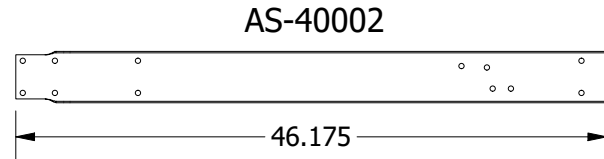
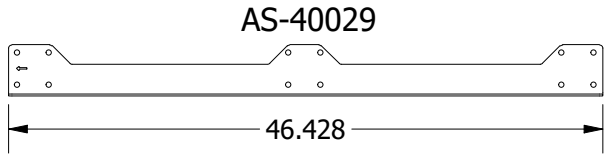
A-Series Sidewall Stairs

AWT4200

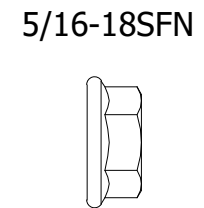
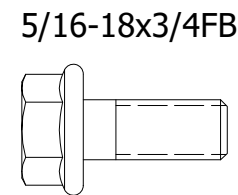
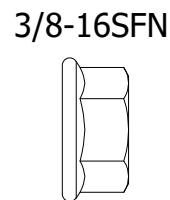
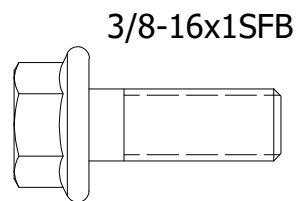
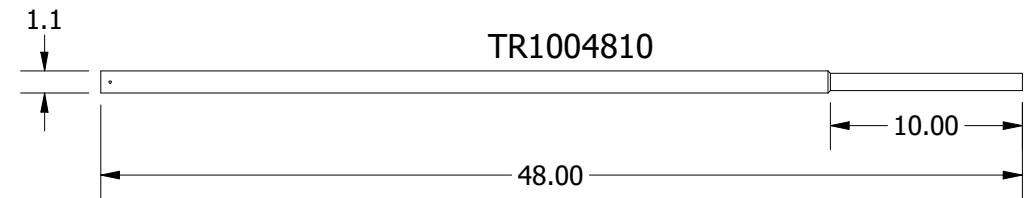
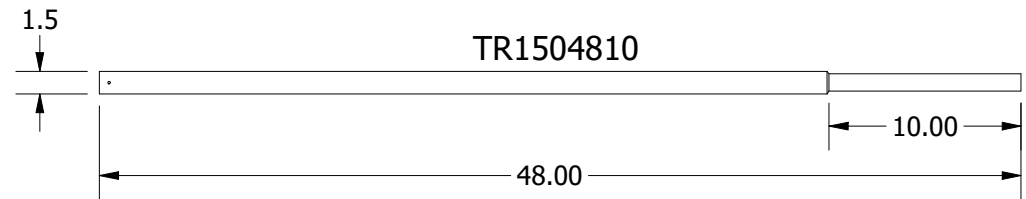
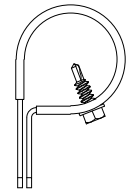
Assembly Instructions



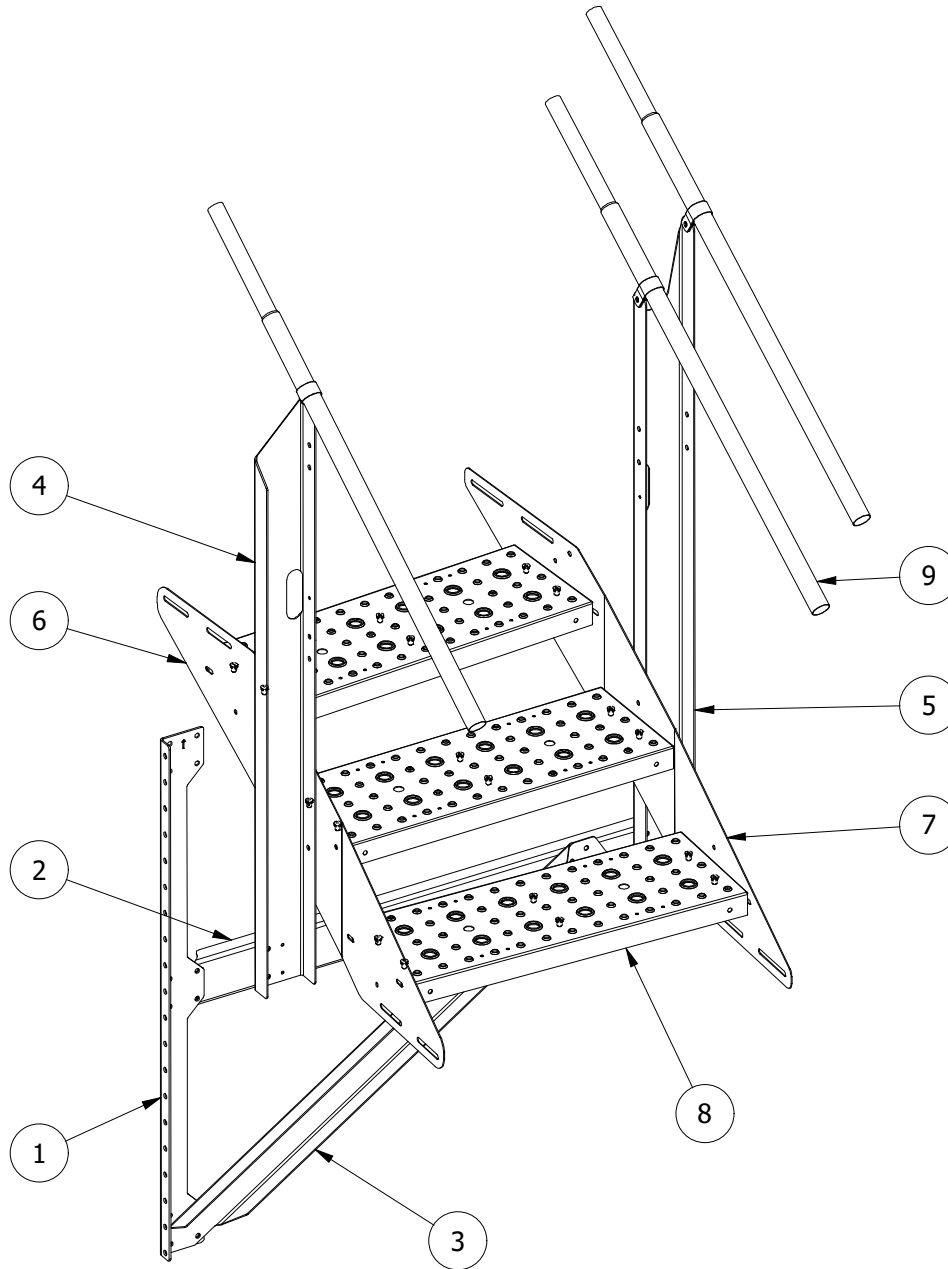
GREENE
GALVANIZED STAIRS



HRC1500



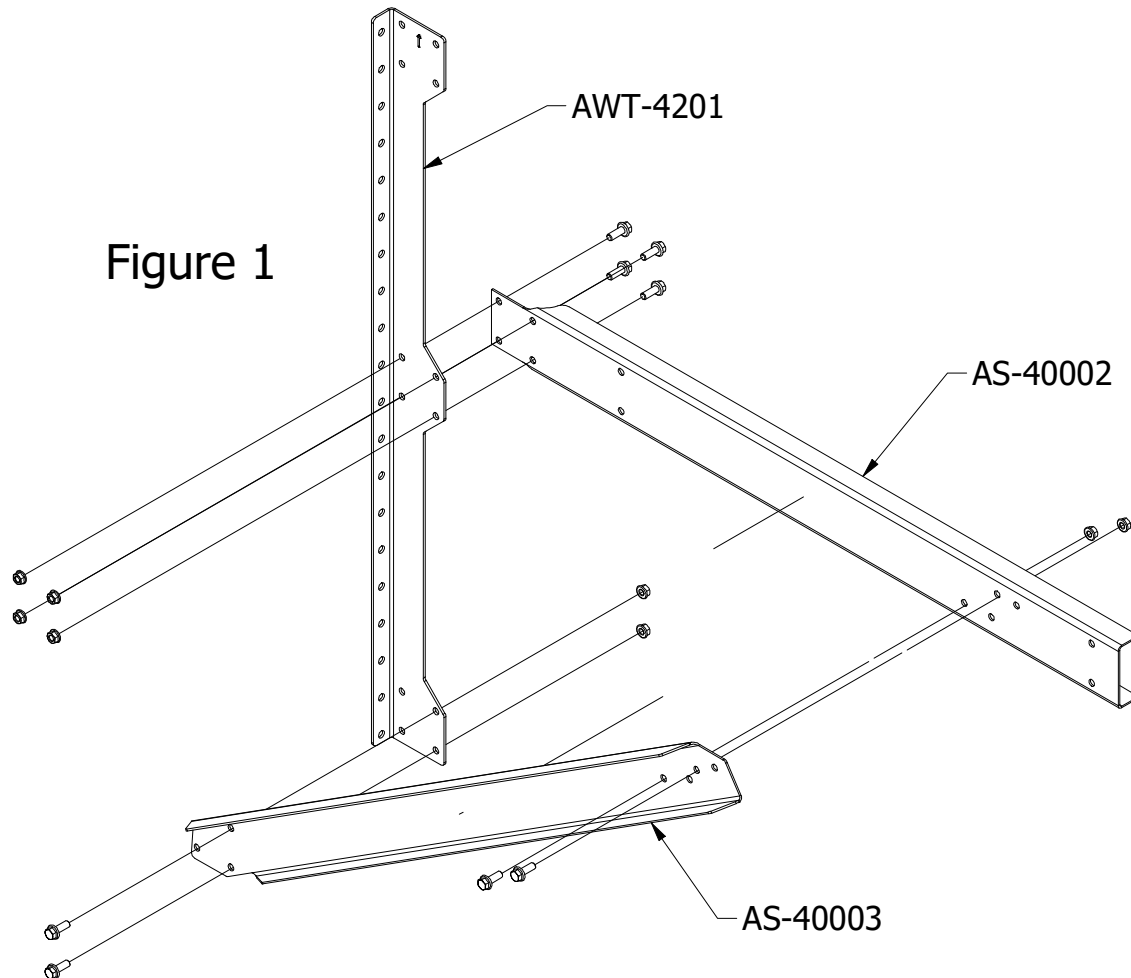
Assembled Components



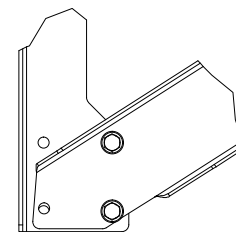
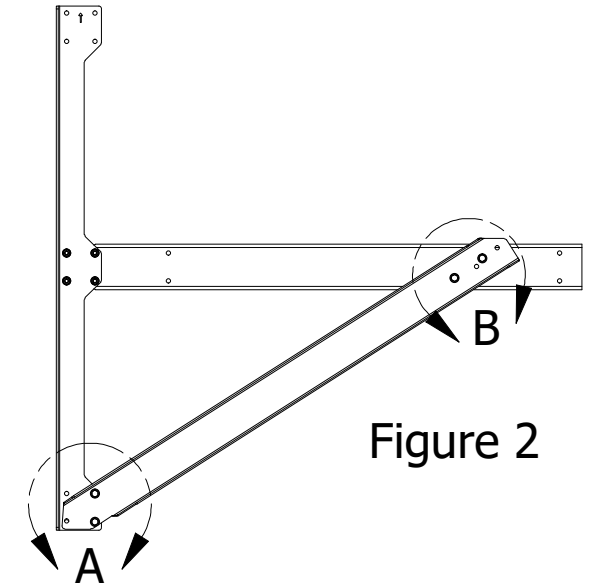
PARTS LIST			
ITEM	QTY	PART NUMBER	DESCRIPTION
1	1	AS-40029	Bracket, Wall, 42" Chief
2	1	AS-40002	Channel, Crossbar, Stair
3	1	AS-40003	Kneebrace
4	1	AS-40005	Post, Inside Stair
5	1	AS-40006	Post, Outside Stair, Guardrail
6	1	AS-40025	Stringer, Inside, 42
7	1	AS-40026	Stringer, Outside, 42
8	3	AS00030	A-Series 30' x 12" tread
9	3	TR1504810	48 in x1.5 in Railing 10 in Swage

Step 1

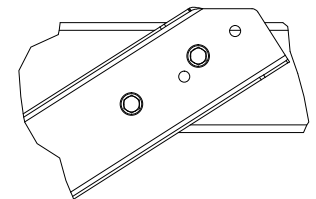
- A. To build the lower wall bracket, place the cross brace perpendicular to the wall bracket, lining up with the middle set of four holes, as shown in Figure 1.
- B. Secure in place with four (4) 3/8" Flange Bolts and four (4) 3/8" Lock Nuts.
- C. Place the diagonal brace on the wall bracket and cross brace.
- D. Secure in place with four (4) 3/8" Flange Bolts and four (4) 3/8" Lock Nuts.
- E. Secure to the bin wall using four (4) 3/8" Flange Bolts and four (4) 3/8" Lock Nuts through the AWT-4201 Wall Bracket. There are three (3) horizontal bolt spaces between one Stair Wall Bracket Assembly and the next.



PARTS USED IN STEP 1		
PART NUMBER	DESCRIPTION	QTY
AWT-4201	Wall Bracket	1
AS-40002	Cross Brace	1
AS-40003	Diagonal Brace	1
3/8-16x1SFB	3/8"-16 x 1" Flange Bolt	12
3/8-16SFN	3/8"-16 Whiz Lock Nut	12



DETAIL A



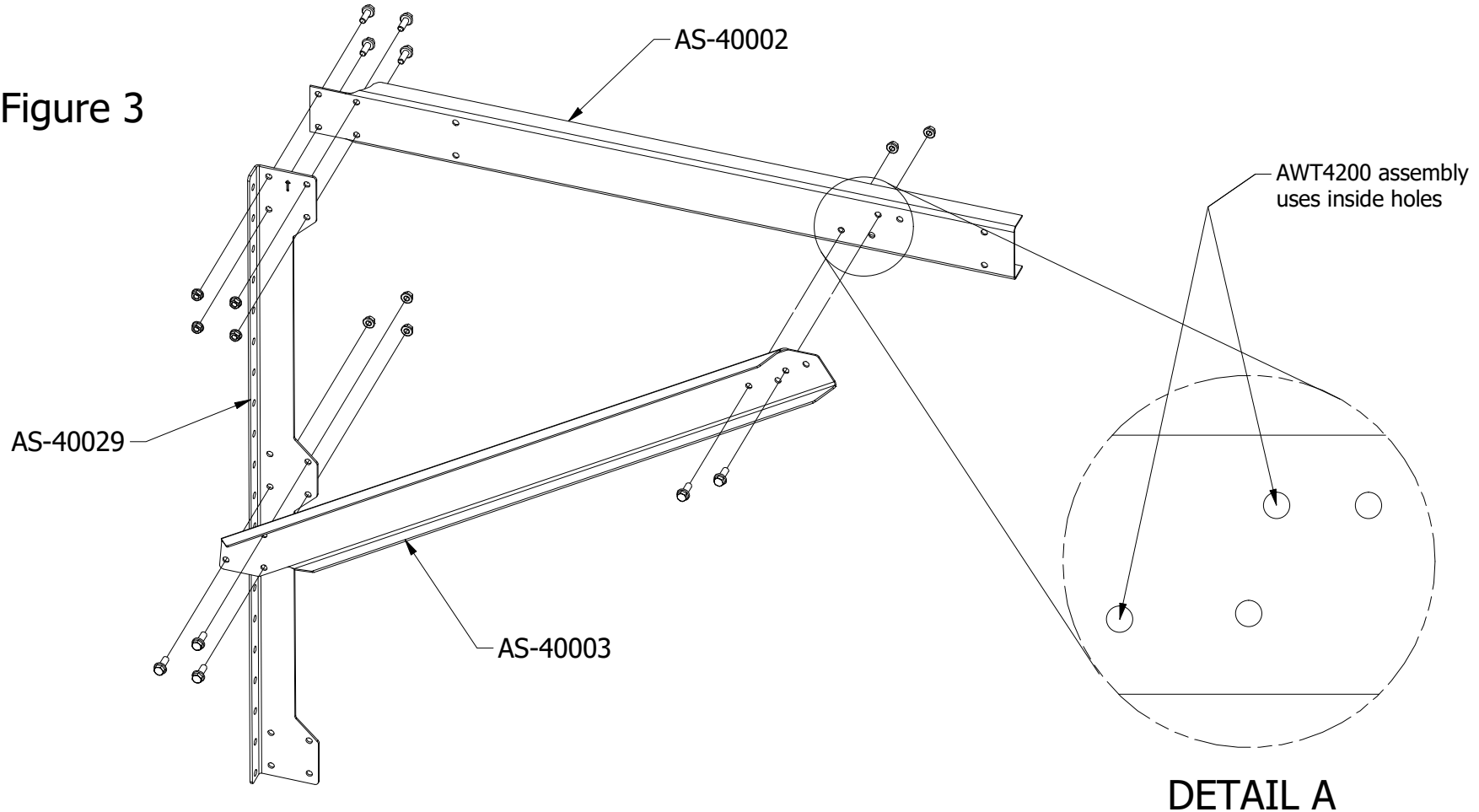
DETAIL B

Step 2

- A. To build the upper wall bracket, place the cross brace perpendicular to the wall bracket, lining up with the top set of four holes, as shown in Figure 3.
- B. Secure in place with four (4) 3/8" Flange Bolts and four (4) 3/8" Lock Nuts.
- C. Place the diagonal brace on the wall bracket and cross brace, see Detail A for cross brace location.
- D. Secure in place with five (4) 3/8" Flange Bolts and five (4) 3/8" Lock Nuts.
- E. Secure to the bin wall using four (4) 3/8" Flange Bolts and four (4) 3/8" Lock Nuts through the AWT-4201 Wall Bracket. There are three (3) horizontal bolt spaces between one Stair Wall Bracket Assembly and the next.

PARTS USED IN STEP 2		
PART NUMBER	DESCRIPTION	QTY
AS-40029	Wall Bracket	1
AS-40002	Cross Bar	1
AS-40003	Kneebrace, Low	1
3/8-16x1SFB	3/8"-16 x 1" Flange Bolt	13
3/8-16SFN	3/8"-16 Whiz Lock Nut	13

Figure 3

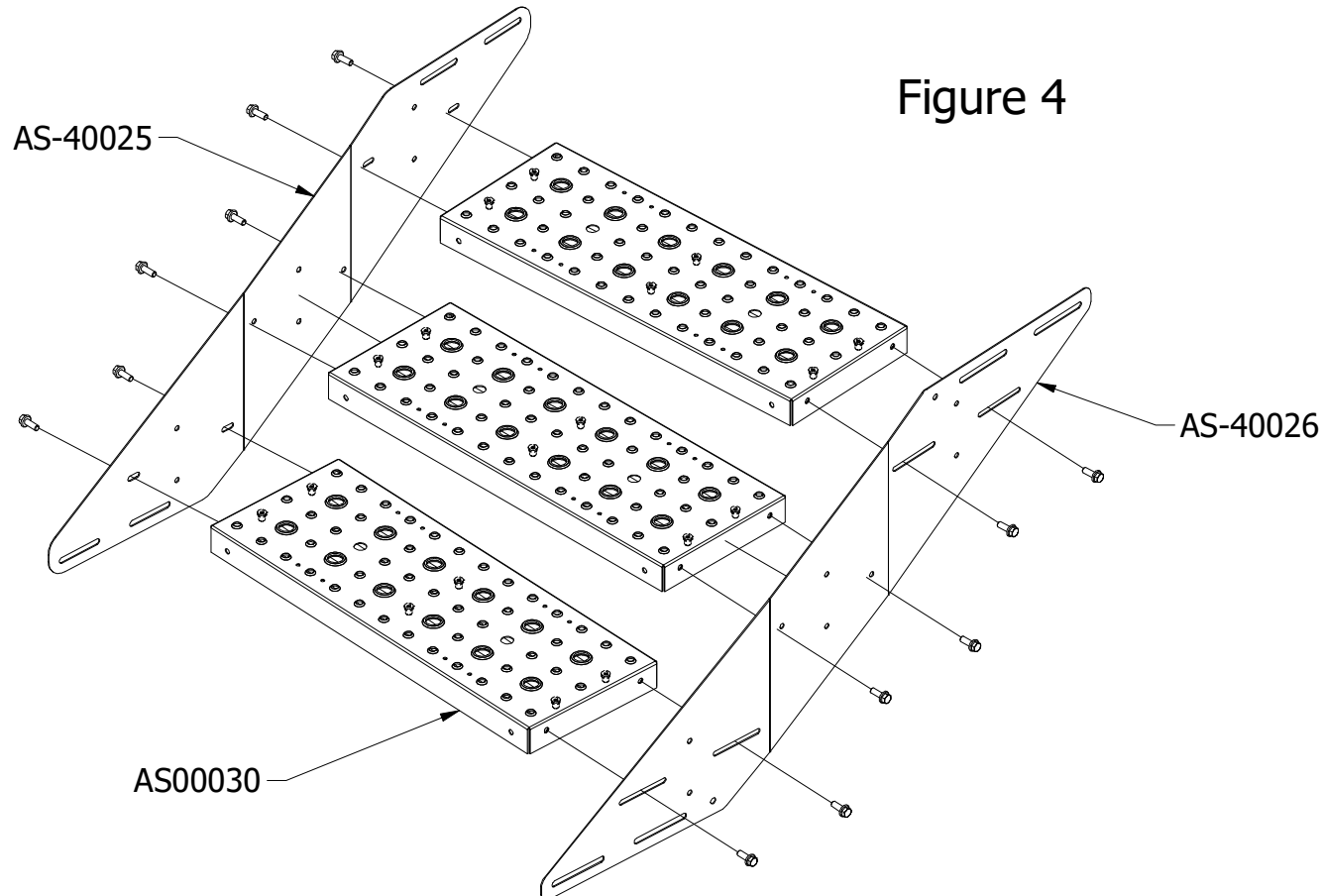


Step 3

Inside Siderail AS-40025 will have an "I" denoting "inside", while Outside Siderail AS-40026 will have an "O", denoting "outside". Also, the outside siderail will have two slots and a hole at each end, while the inside siderail will have just the two slots.

- A. Attach the three (3) AS00030 stair treads to inside siderail AS-40025, using six (6) 3/8" Flange Bolts and six (6) 3/8" Lock Nuts. The bolt heads should be facing outwards from the assembly.
- B. Attach the other end of the three (3) AS00030 stair treads to outside siderail AS-40026, using six (6) 3/8" Flange Bolts and six (6) 3/8" Lock Nuts. The bolt heads should be facing outwards from the assembly.
- C. Repeat A and B for the second set of three stairs.

PARTS USED IN STEP 3		
PART NUMBER	DESCRIPTION	QTY
AS-40025	Inside 42" Siderail	2
AS-40026	Outside 42" Siderail	2
AS00030	30" x 11" Step Assembly	6
3/8-16x1SFB	3/8"-16 x 1" Flange Bolt	24
3/8-16SFN	3/8"-16 Whiz Lock Nut	24



Step 4

- A. Place two (2) AS-40005 inside posts on the two wall brackets installed in Steps 1 and 2. Secure in place using two (2) 3/8" Flange Bolts and two (2) 3/8" Lock Nuts on each post. See Detail C for the hole location.
- B. Install the first stair set onto the first of the two posts. Refer to Detail D for the location of the bolt holes. Secure in place using two (2) 3/8" Flange Bolts and two (2) 3/8" Lock Nuts.

PARTS USED IN STEP 4		
PART NUMBER	DESCRIPTION	QTY
AS-40005	Inside Post	2
3/8-16x1SFB	3/8"-16 x 1" Flange Bolt	8
3/8-16SFN	3/8"-16 Whiz Lock Nut	8

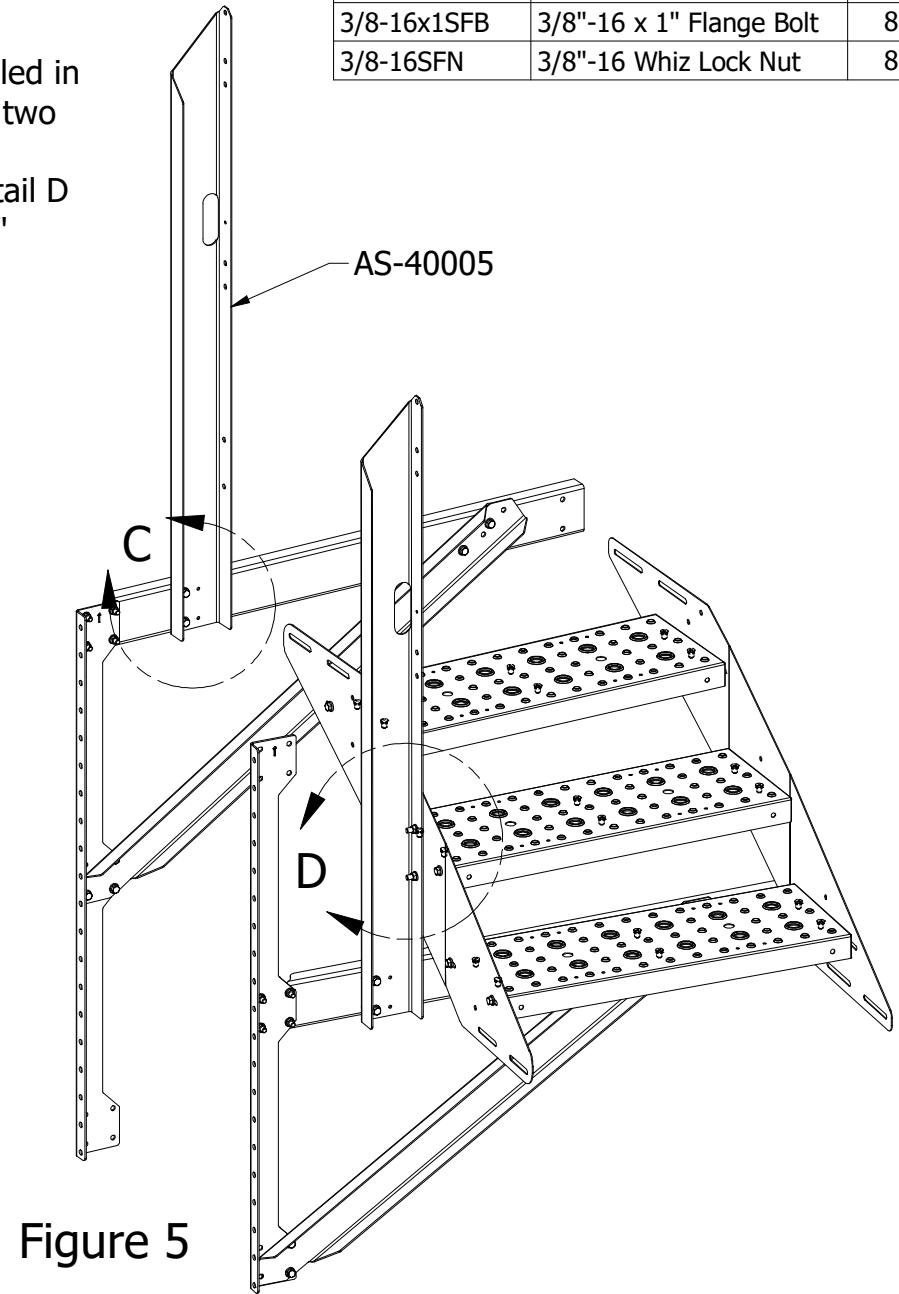
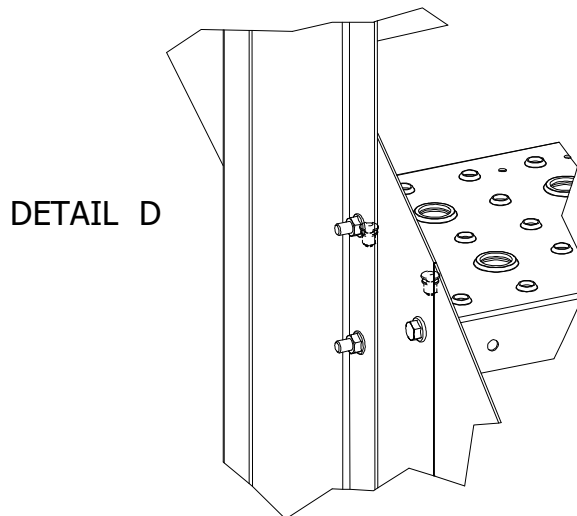
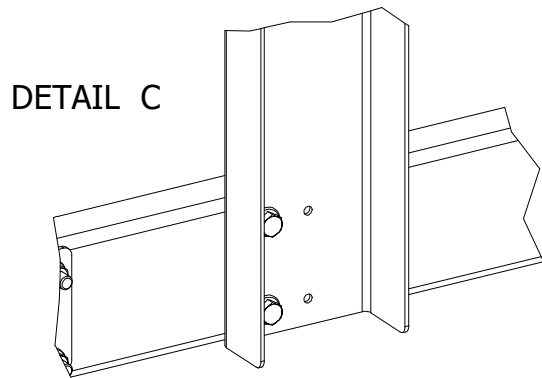


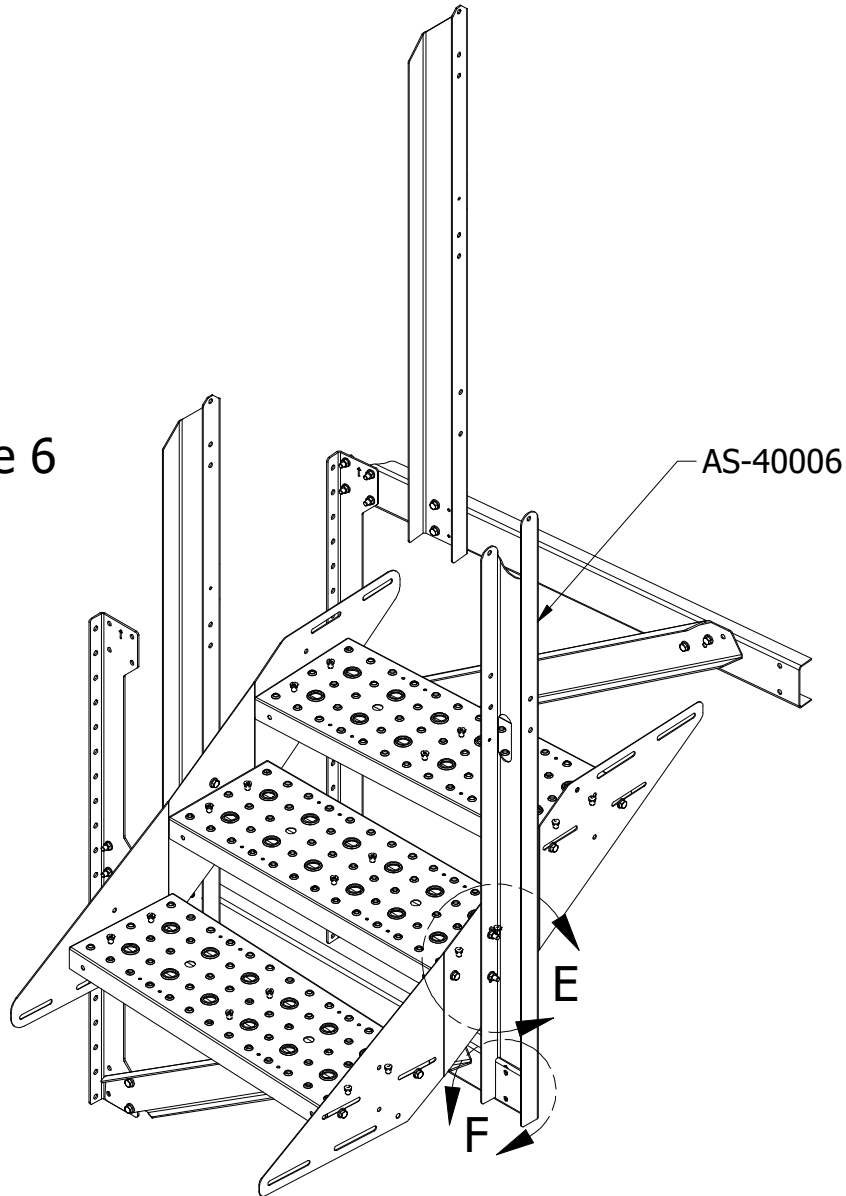
Figure 5

Step 5

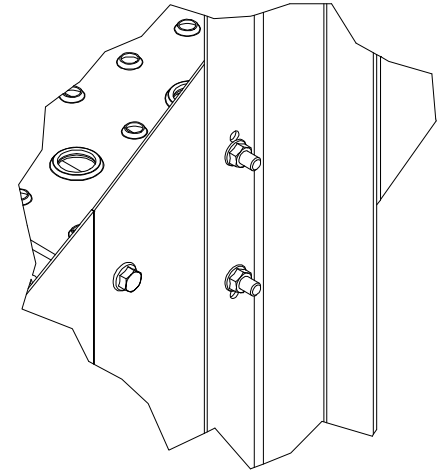
- A. Install the AS-40006 outside post to the first wall bracket, using two (2) 3/8" Flange Bolts and two (2) 3/8" Lock Nuts. Refer to Detail F.
- B. Attach the outside post to the first stair section, using two (2) 3/8" Flange Bolts and two (2) 3/8" Lock Nuts. Refer to Detail E.

PARTS USED IN STEP 5		
PART NUMBER	DESCRIPTION	QTY
3/8-16x1SFB	3/8"-16 x 1" Flange Bolt	4
3/8-16SFN	3/8"-16 Whiz Lock Nut	4
AS-40006	Outside Post	1

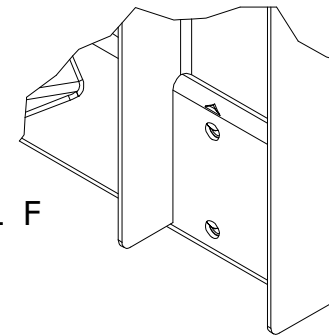
Figure 6



DETAIL E

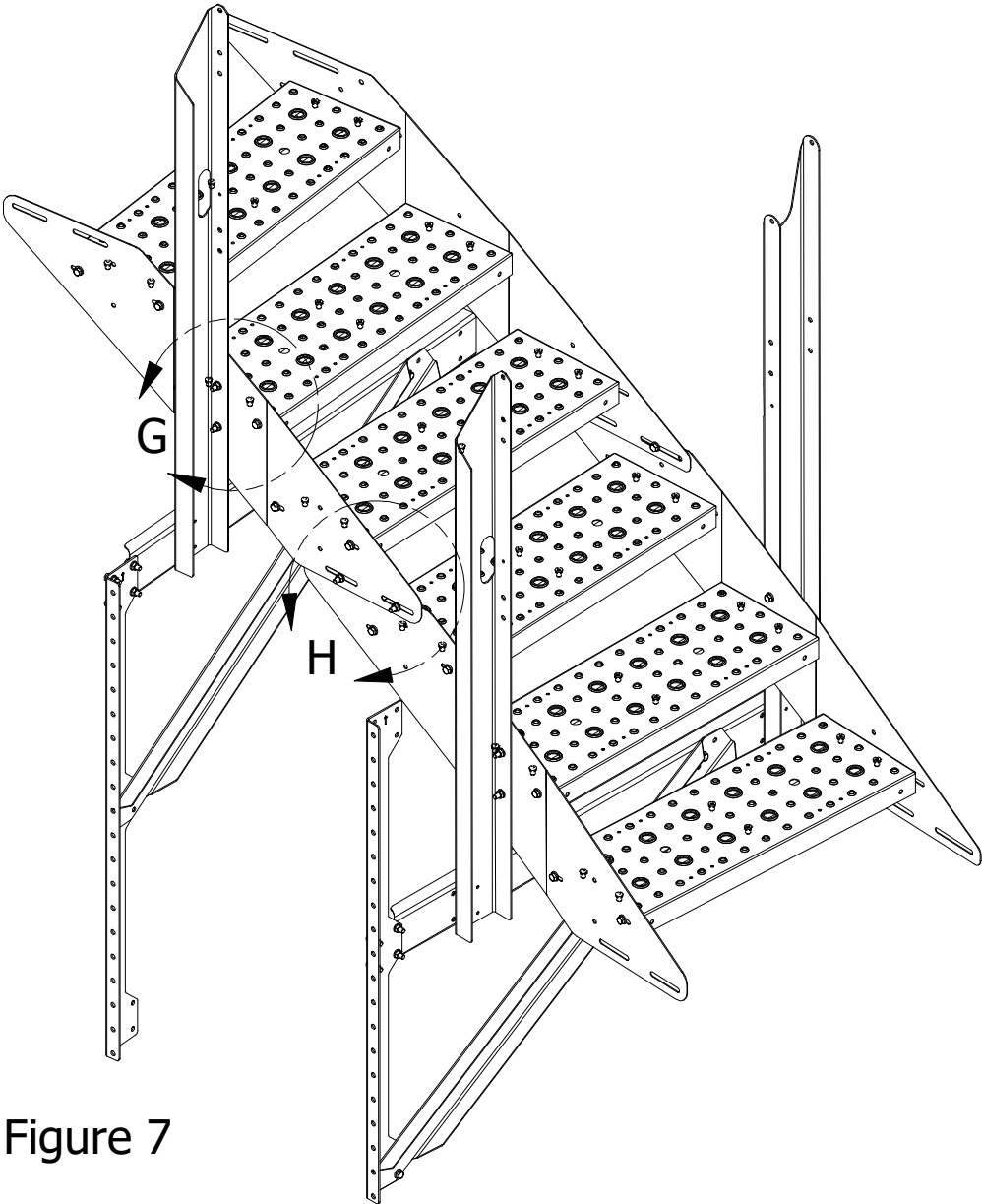


DETAIL F

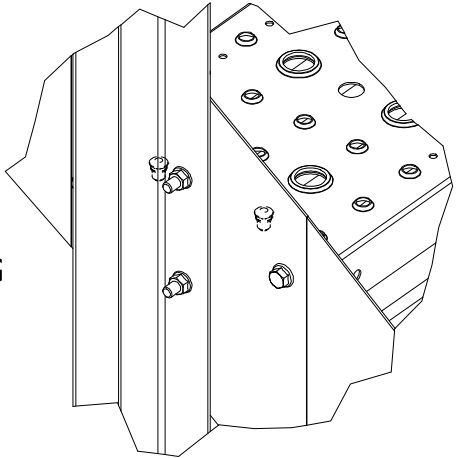


Step 6

- A. Take the second set of three stairs and attach them to the inside post using two (2) 3/8" Flange Bolts and two (2) 3/8" Lock Nuts.
- B. Using four (4) 3/8" Flange Bolts and four (4) 3/8" Lock Nuts, secure the upper stair section to the lower stair section. The bolt heads should be facing out from the siderails.



DETAIL G



DETAIL H

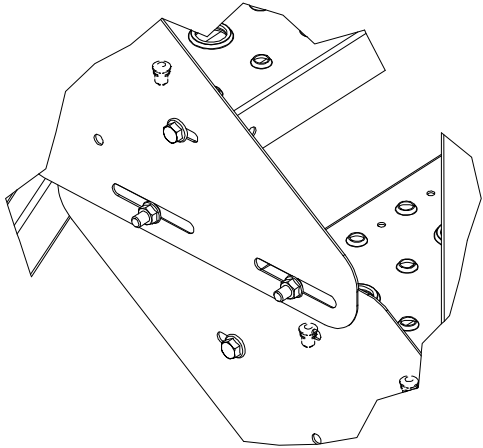


Figure 7

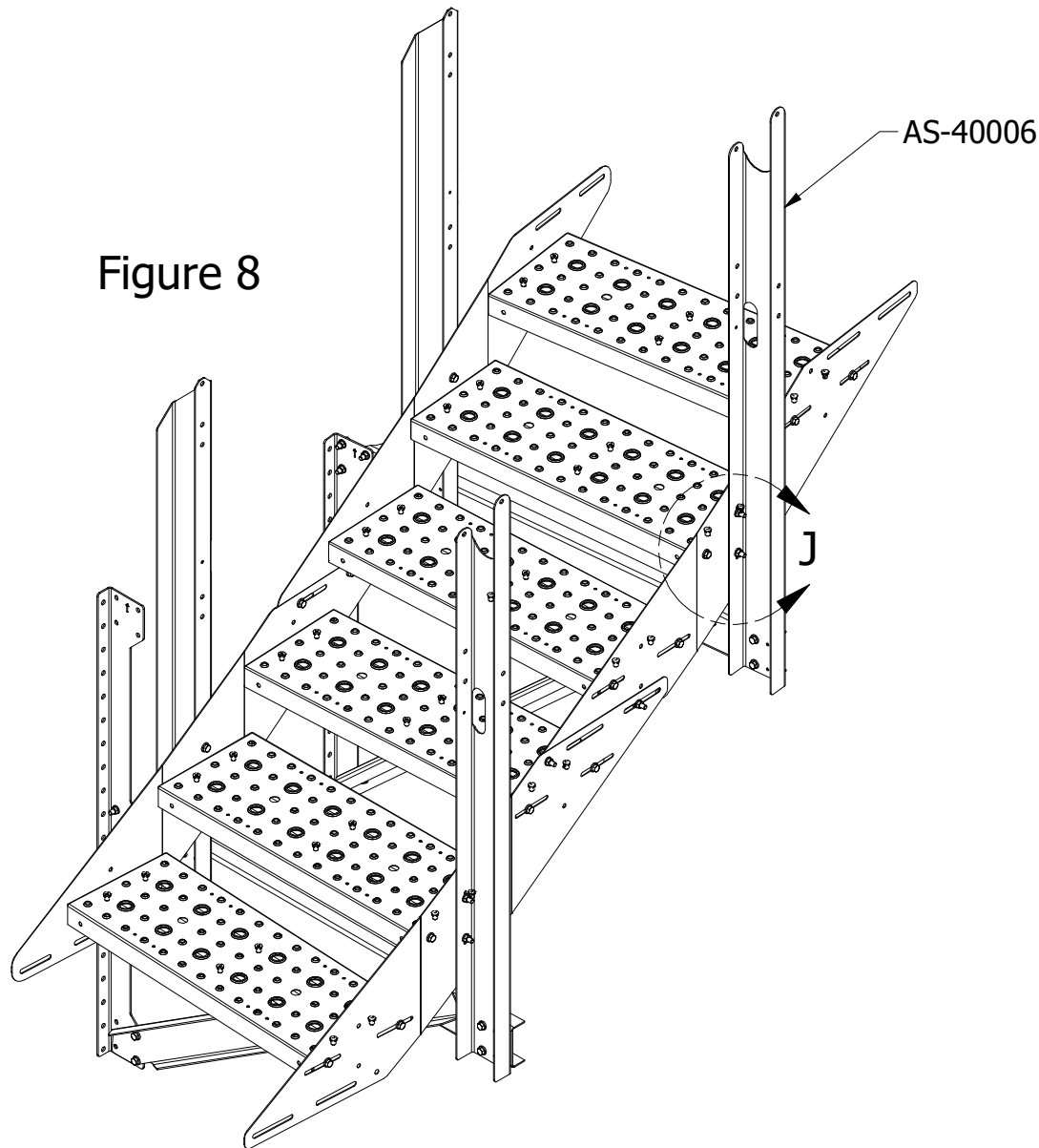
PARTS USED IN STEP 6		
PART NUMBER	DESCRIPTION	QTY
3/8-16x1SFB	3/8"-16 x 1" Flange Bolt	6
3/8-16SFN	3/8"-16 Whiz Lock Nut	6

Step 7

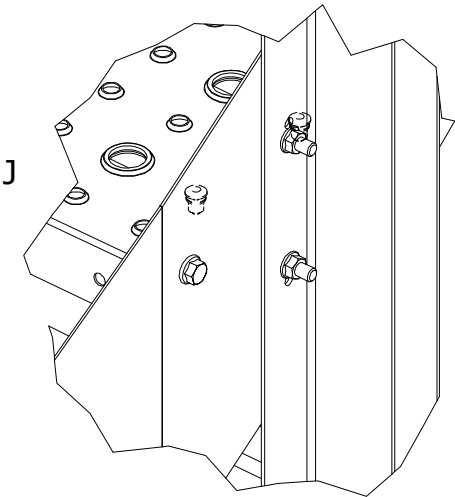
- A. Install outside post AS-40006 to the top stair section, and secure in place using four (4) 3/8" Flange Bolts and four (4) 3/8" Lock Nuts.

PARTS USED IN STEP 7		
PART NUMBER	DESCRIPTION	QTY
3/8-16x1SFB	3/8"-16 x 1" Flange Bolt	4
3/8-16SFN	3/8"-16 Whiz Lock Nut	4
AS-40006	Outside Post	1

Figure 8

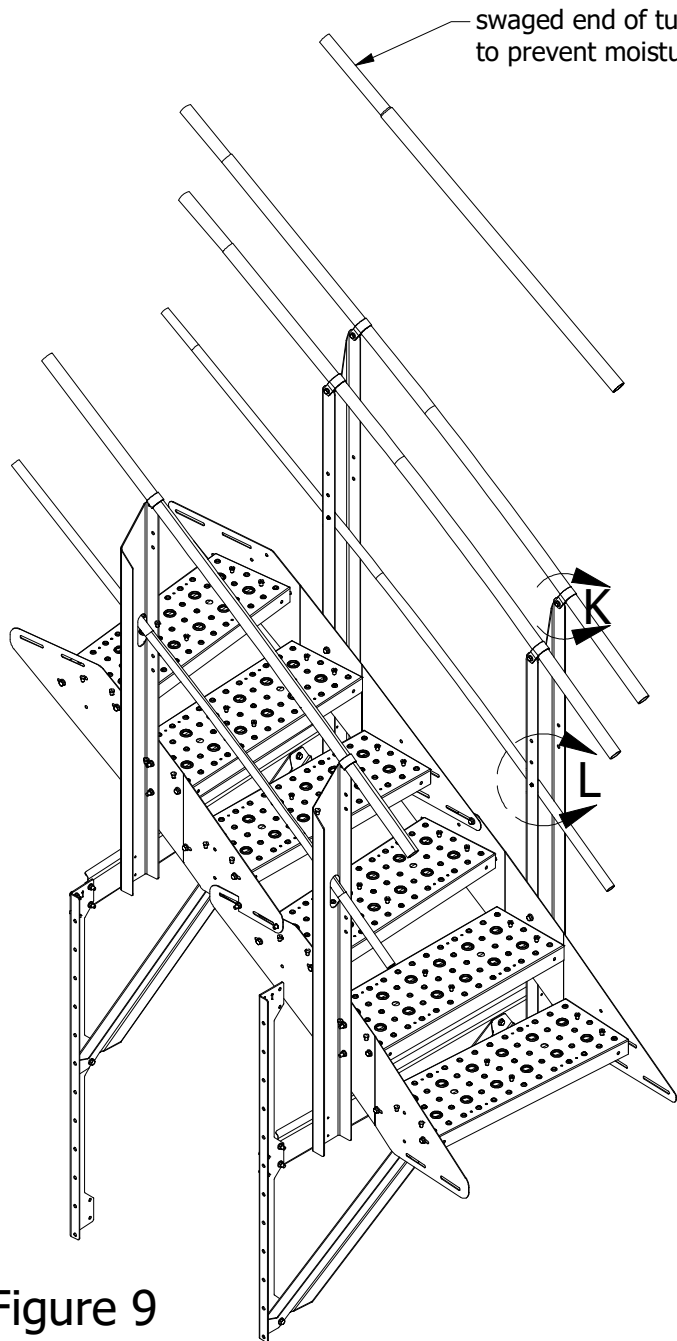


DETAIL J

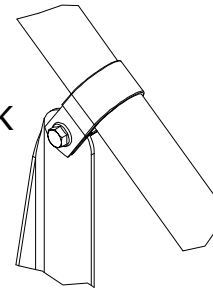


Step 8

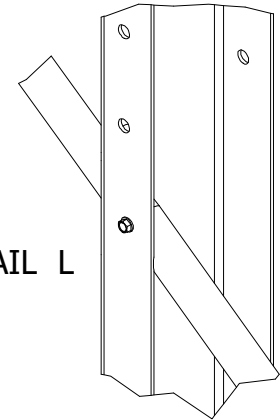
PARTS USED IN STEP 8		
PART NUMBER	DESCRIPTION	QTY
HRC1500	1.5" Handrail Clamp	6
5/16-18x3/4FB	5/16"-18 x 13/4" Flange Bolt	6
5/16-18SFN	5/16"-18 Whiz Lock Nut	6
Floor Screw	Self-tapping screw	10



DETAIL K



DETAIL L



- A. Using a rolled pipe former, curve all rails to fit the diameter of the bin. The 1" rails have small holes that should face towards the stairs when installed on the bin, which are screwed into when installing rails on other stair sections.
- B. The swaged ends on all rails should face up the stairs while the larger, unswaged end should point down the stair run.
- C. Using three (3) 1.5" handrail clamps, line up the 1.5" handrails with the bottom post, as shown in Detail K. Secure each handrail clamp to the post with a 5/16" Flange Bolt and 5/16" Lock Nut, and secure the handrail to the clamp with a self-tapping screw.
- D. Using the next three (3) 1.5" handrail clamps, fix the 1.5" handrails to the next post. Secure each handrail clamp to the post with a 5/16" Flange Bolt and 5/16" Lock Nut, and secure the handrail to the clamp with a self-tapping screw.
- E. Lining up the small hole on the 1" intermediate handrail, secure to the lower post using a self-tapping screw, as shown in Detail L. Then use a self-tapping screw to secure the intermediate 1" rail to the second post.

Figure 9