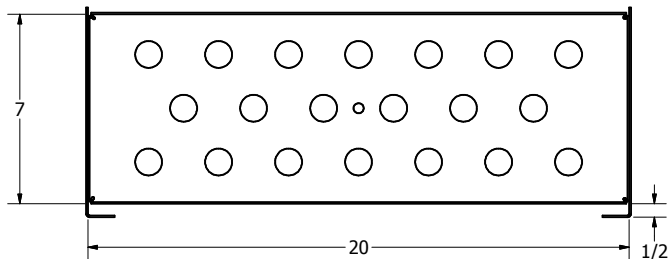
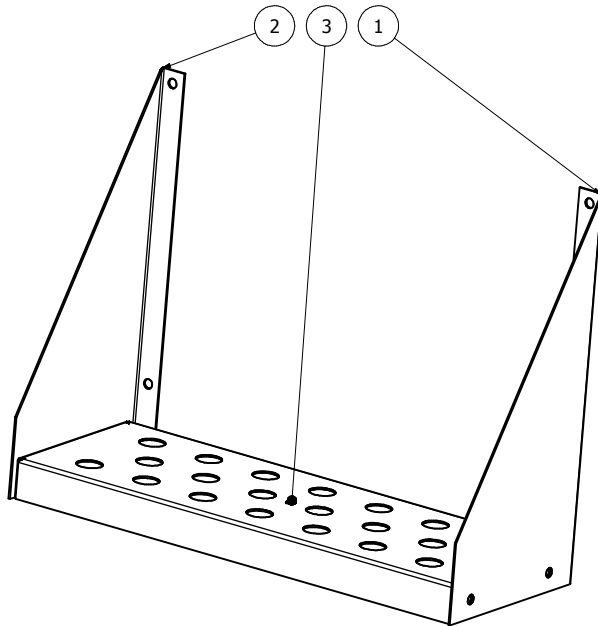


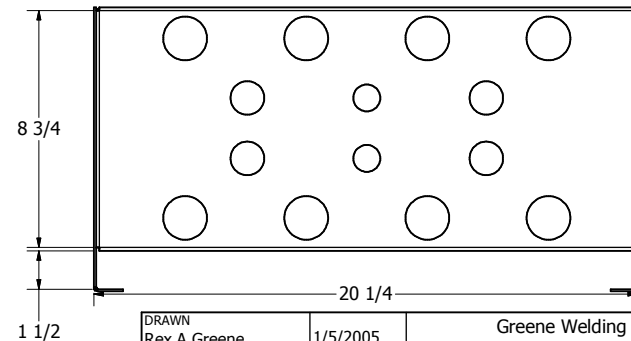
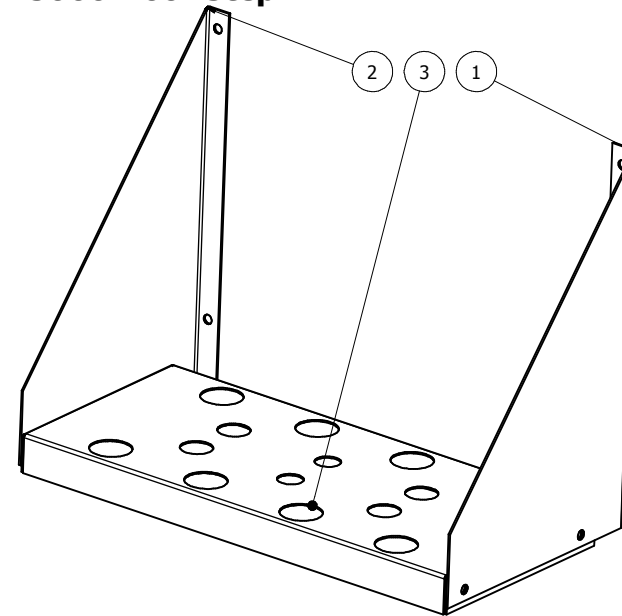
Parts List		
ITEM	QTY	PART NUMBER
1	1	5501 Right Door Step siderail
2	1	5502 Left Door Step siderail
3	1	2602 Step

**40000 Booster Step**

Parts List		
ITEM	QTY	PART NUMBER
1	1	5401 Right Booster Siderail
2	1	5402 Left Booster Siderail
3	1	2802 GM Step



**45000 Door Step**



DRAWN Rex A Greene	1/5/2005	Greene Welding and Hardware Inc. Greene Galvanized Stairs 217/375/4244 www.greenebinstairs.com	
CHECKED		TITLE	
QA		<b>IN-40001</b>	
MFG		SIZE	DWG NO
APPROVED		C	Door and Booster Ins
		SCALE	REV
		NA	
		SHEET 1 OF 1	