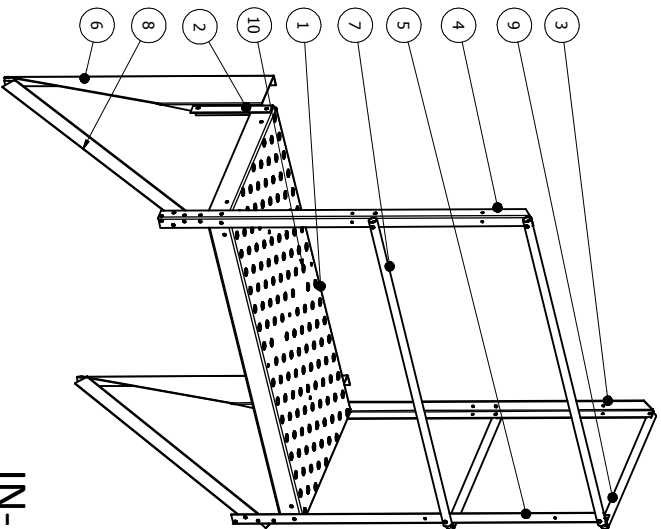
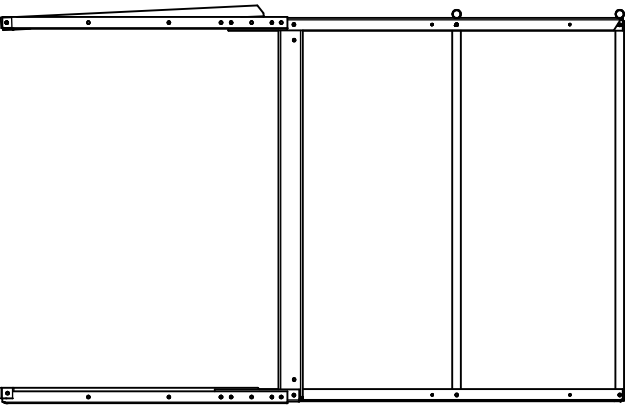


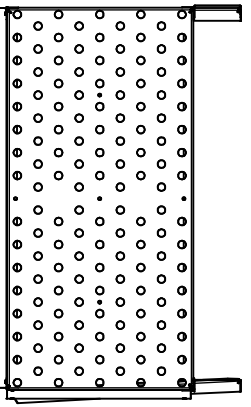
38500 Ladder Platform



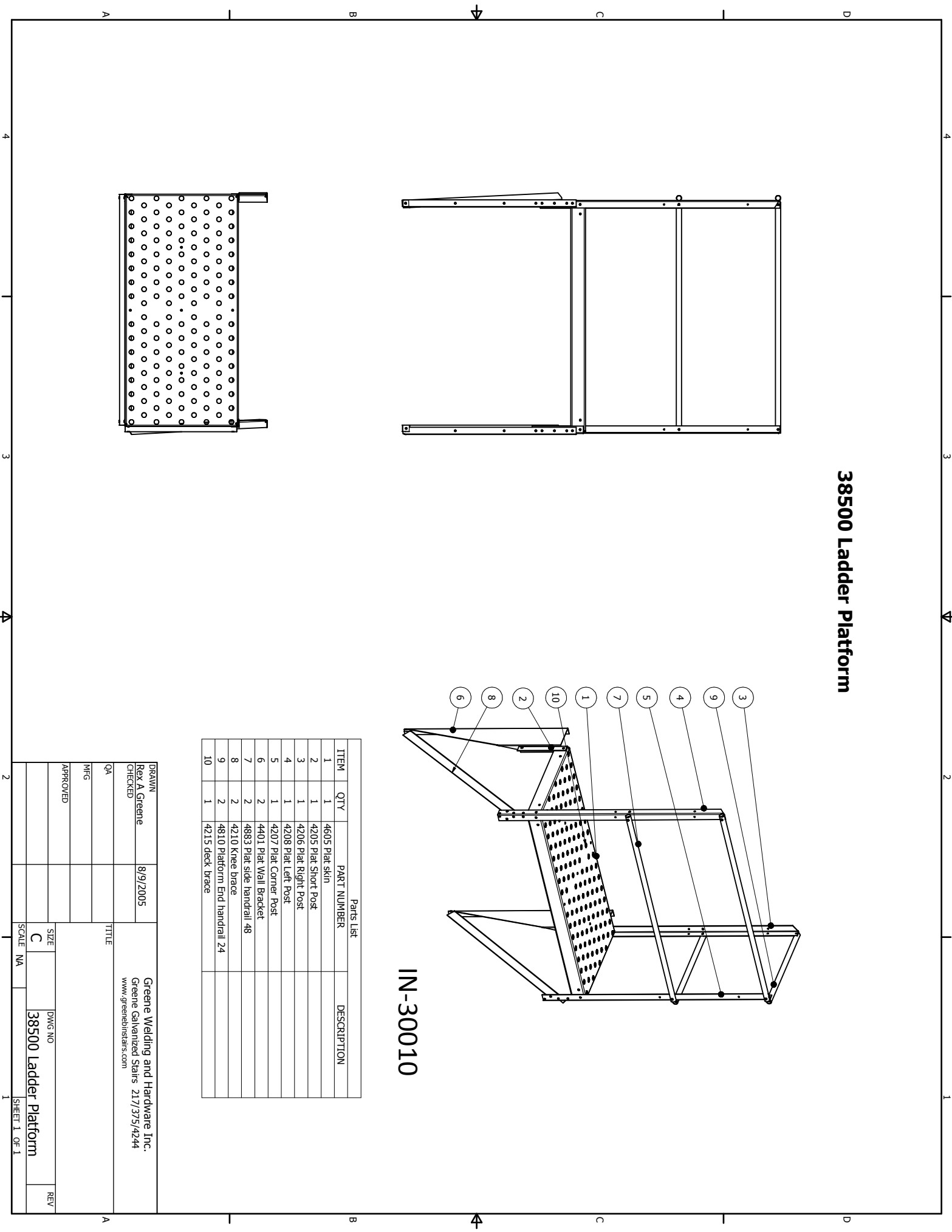
IN-30010

Parts List

| ITEM | QTY | PART NUMBER | DESCRIPTION |
|------|-----|-------------------------------|-------------|
| 1 | 1 | 4605 Plat skin | |
| 2 | 1 | 4205 Plat Short Post | |
| 3 | 1 | 4206 Plat Right Post | |
| 4 | 1 | 4208 Plat Left Post | |
| 5 | 1 | 4207 Plat Corner Post | |
| 6 | 2 | 4401 Plat Wall Bracket | |
| 7 | 2 | 4883 Plat side handrail 48 | |
| 8 | 2 | 4210 Knee brace | |
| 9 | 2 | 4810 Platform End handrail 24 | |
| 10 | 1 | 4215 deck brace | |

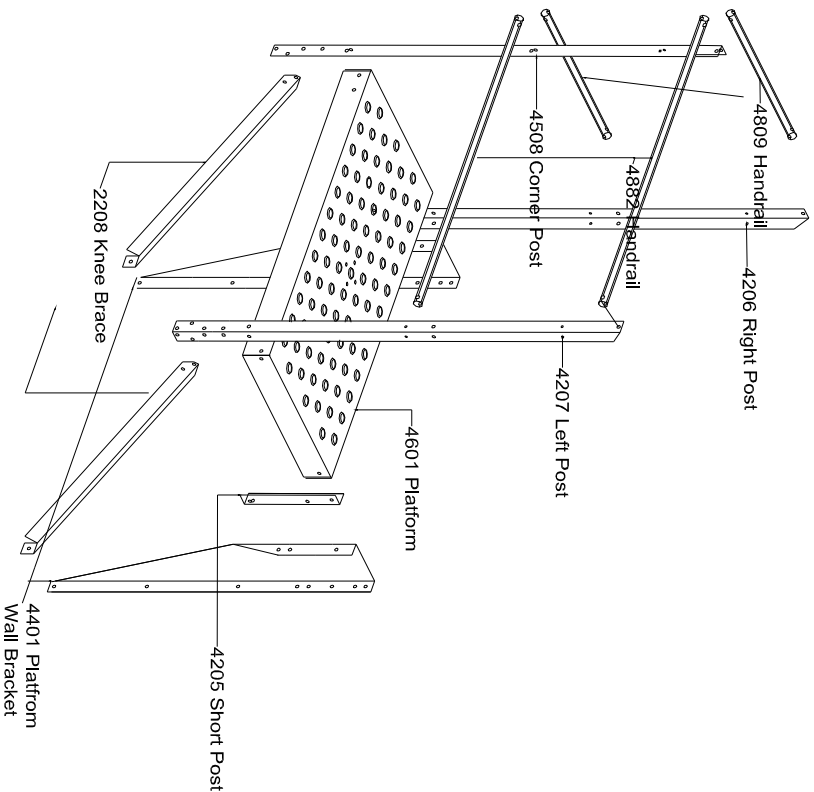


| | | | |
|----------|--------------|--|-----------------------|
| DRAWN | 8/9/2005 | Greene Welding and Hardware, Inc. Greene Galvanized Stairs 217/375/4244 www.greeneinstairs.com | |
| CHECKED | Rev A Greene | | |
| QA | | TITLE | |
| MFG | | SIZE | DWG NO |
| APPROVED | | C | 38500 Ladder Platform |
| | | SCALE | NA |
| | | | REV |





Assembly of 38000 Ladder Platform



On standard 32" and 44" bin sheets the platform Wall Brackets will attach 4 bolts (37 1/2") apart. Attach Wall Brackets to bin. In the lowest hole of the Wall Bracket attach Knee Braces.

Assemble Platform.

Platform can go together right entry as shown, or reverse and make left entry.

On the Platform skin attach Posts to corners as shown. Attach Platform to Wall Brackets using the holes in the post under the platform skin and the bottom hole of the Post to the Wall Brackets.

Attach Knee Braces to the 2nd and 3rd holes from the bottom

of the Posts.

Attach Handrails on the outside of the Posts tighten platform.