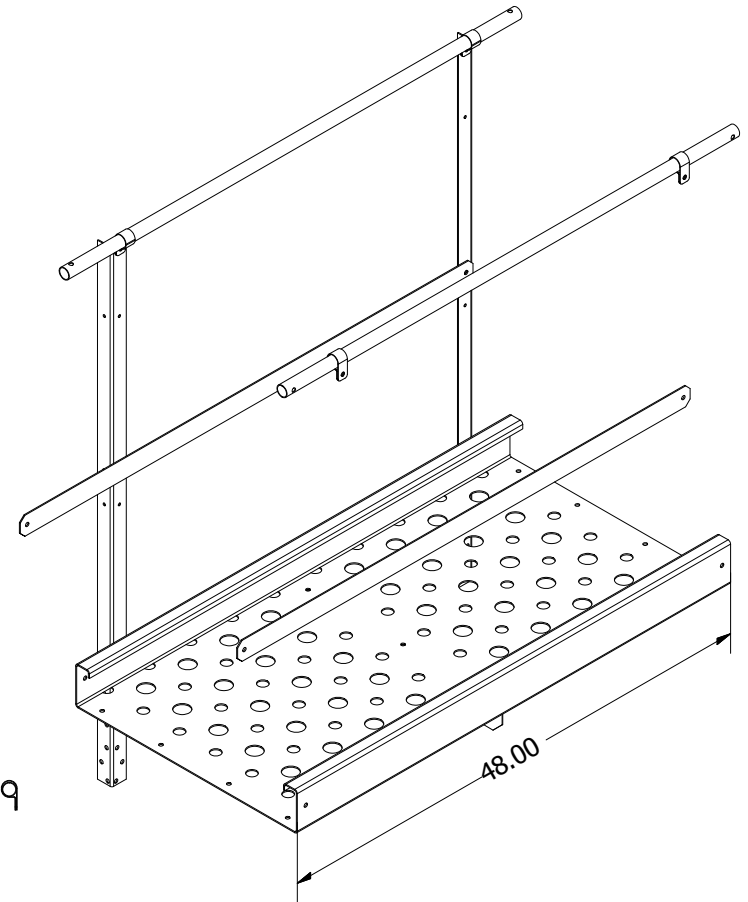
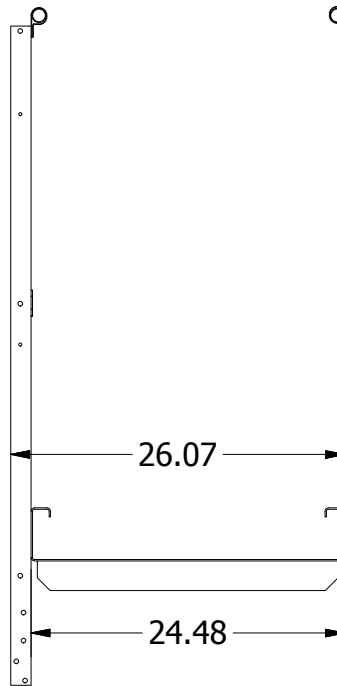
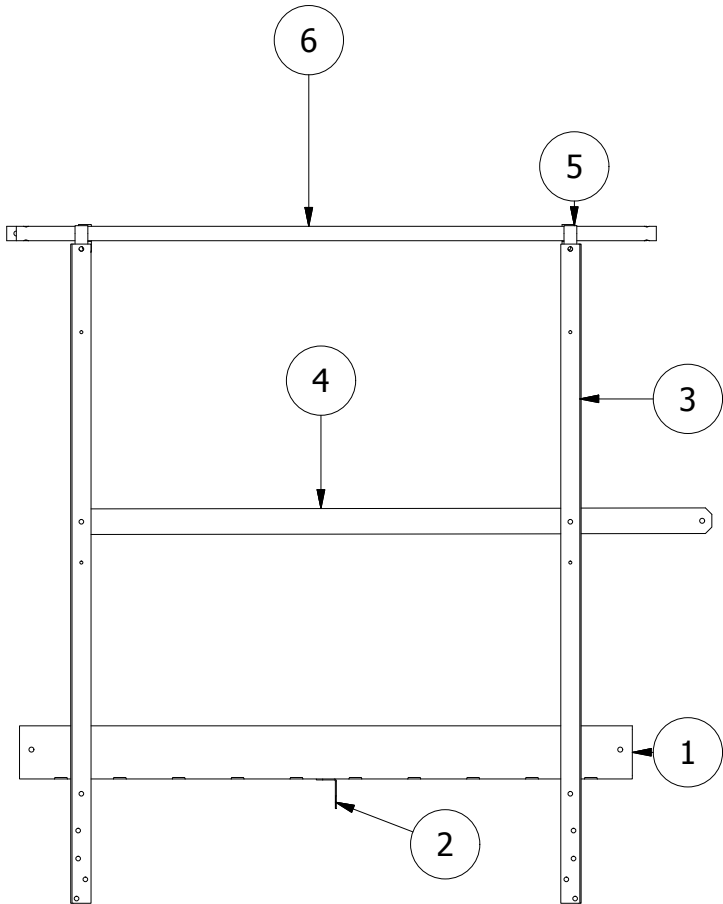


PARTS LIST			
ITEM	QTY	PART NUMBER	DESCRIPTION
1	1	KS-318 walk deck	walk deck
2	1	KS-319 walk brace	walk brace
3	2	4207 Plat Corner Post	51.5 x 3 x 12 ga
4	2	ES-3508 plat side int rail	50 x 2 x 12 ga
5	4	F0708799 handrail clip	
6	2	ES-3506 plat side handrail	1" id x 50"



IN-30009

GREENE
GALVANIZED STAIRS

www.greenebinstairs.com
East Lynn IL 60932
217-375-4244 / 217-375-4245 FAX

DRAWN Mike Adams		11/14/2012
TITLE Twin Platform Filler		
SIZE A	DWG NO 37048	
DO NOT SCALE REV		SHEET 1 OF 1