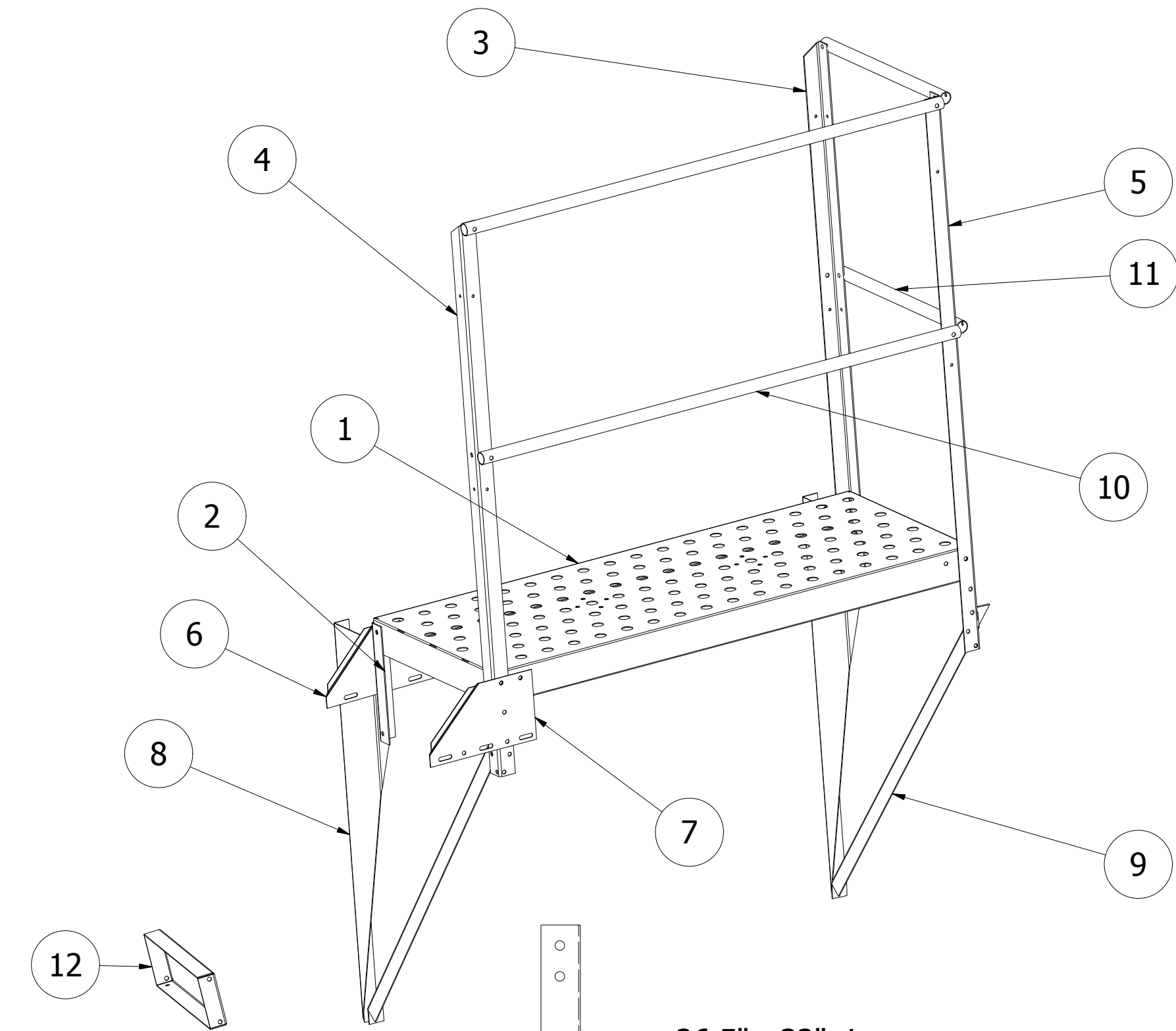


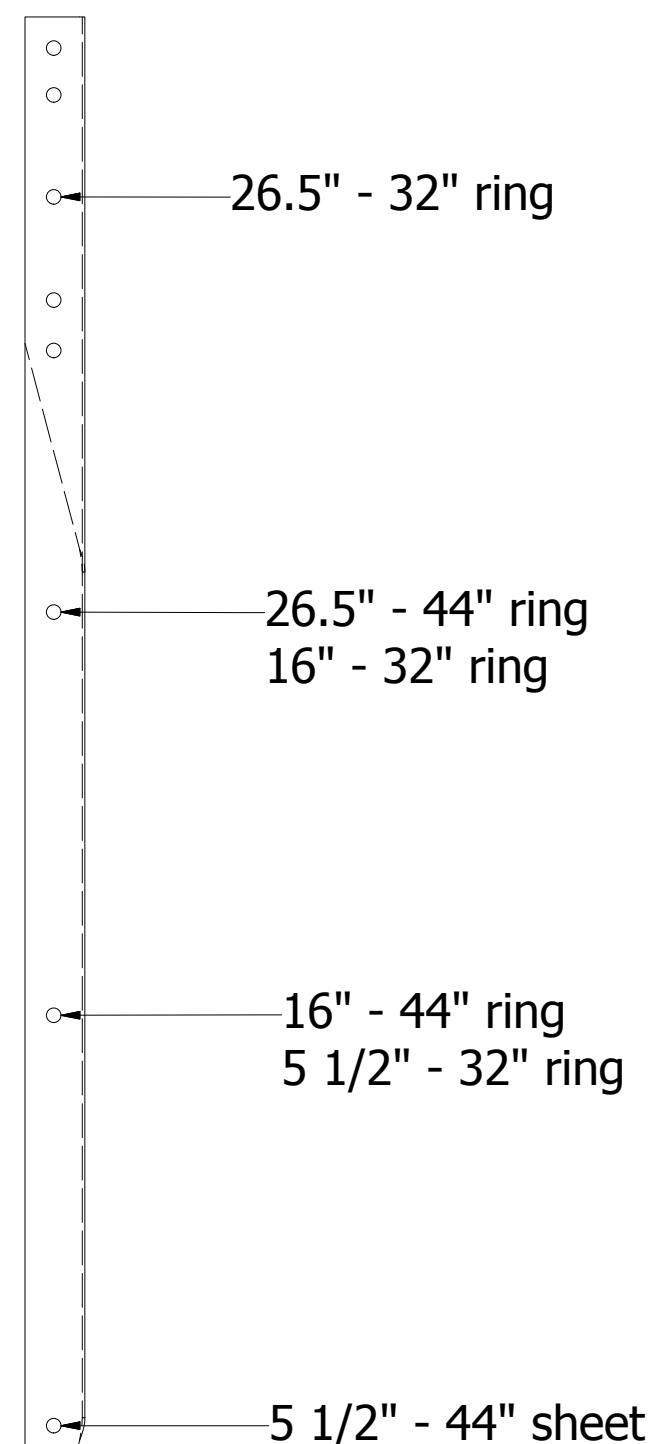
35100 Long stair platform



Parts List			
ITEM	QTY	PART NUMBER	STOCK NUMBER
1	1	4602 48 in platform deck	49.6 x 20 x 16 ga skin
2	1	4205 Plat Short Post	11 x 1.5 x 1.5 x 14 ga L
3	1	4206 Plat Right Post	51.5 x 1.5 x 1.5 x 12 ga L
4	1	4207 Plat Left Post	51.5 x 1.5 x 1.5 x 12 ga L
5	1	4208 Plat Corner Post	51.5 x 1.5 x 1.5 x 12 ga L
6	1	4412 inside ext	11 x 6.5 x 14 ga
7	1	4402 Outside Ext	11 x 6.5 x 14 ga
8	2	4401 Plat Wall Bracket	37.25 x 1.5 x 6 x 1.5 x 14 ga C
9	2	2208 44 Kneebrace	42.5 x 3 x 12 ga
10	2	4883 Plat side handrail 48	49.5 x 1 id
11	2	4809 Plat Handrail Short	20 x 1 id
12	1	2442 Bottom Brace Bracket	20 x 4.5 x 14 ga box
13	1	35000 hardware pack	

The platform will be one of these heights when the platform wall bracket is placed on the first horizontal seam in one of these holes.

There are 5 bolts spaces between wall brackets. 47"



DRAWN Rex A Greene	4/16/2008	Greene Welding and Hardware Inc. Greene Galvanized Stairs		
		TITLE 217/375/4244 www.greenebinstairs.com		
MFG		IN-30006		
APPROVED		SIZE C	DWG NO 35100 stair plat 48	REV
		SHEET 1 OF 1		