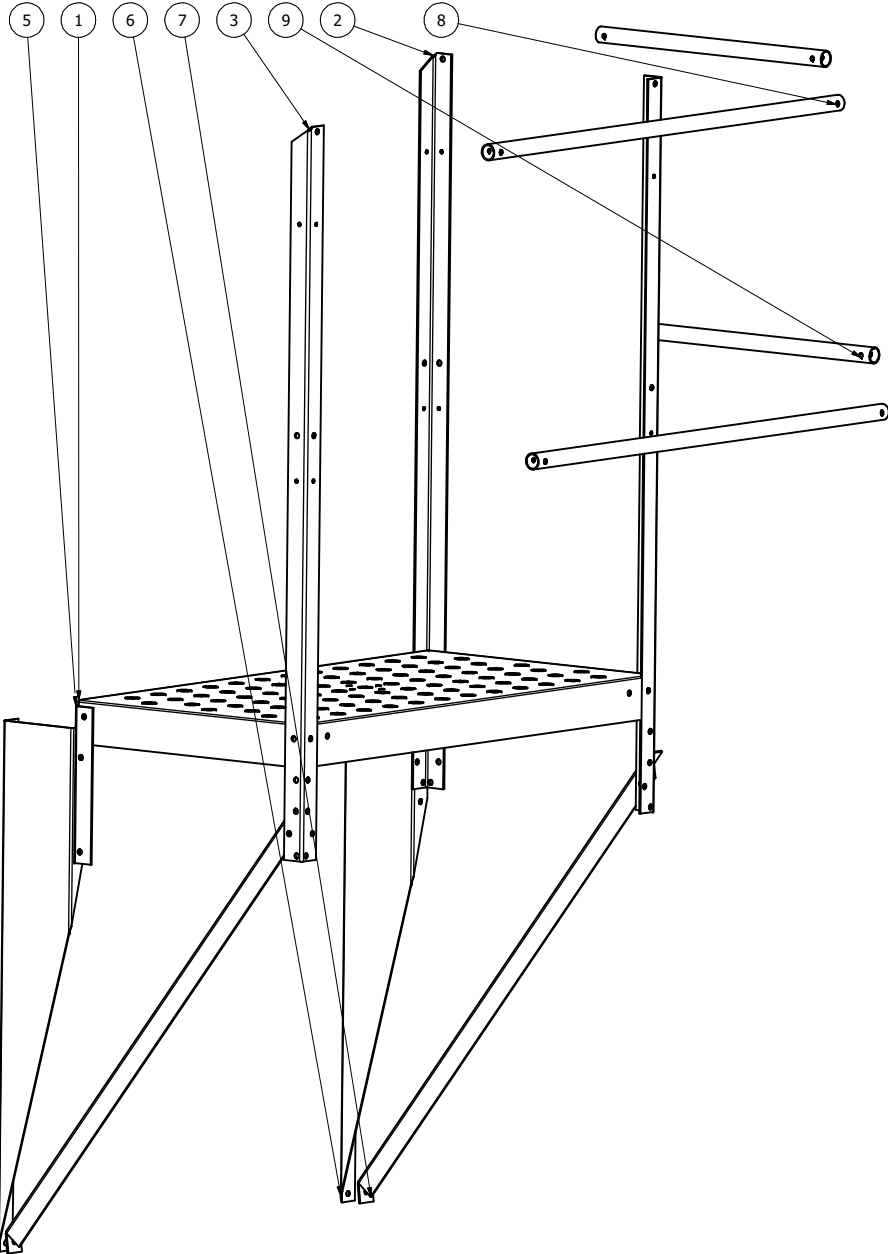
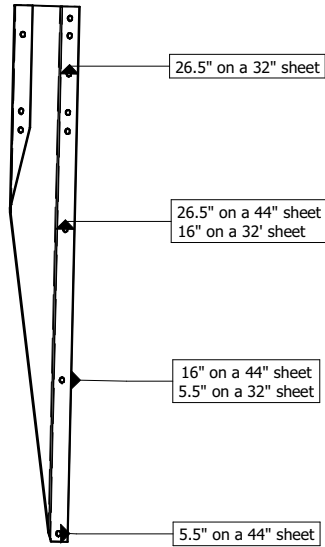


# 38000 Ladder Platform



Parts List			
ITEM	QTY	PART NUMBER	DESCRIPTION
1	1	4601 Platform skin	
2	1	4206 Plat Right Post	
3	1	4207 Plat Left Post	
4	1	4208 Plat Corner Post	
5	1	4205 Plat Short Post	
6	2	4401 Plat Wall Bracket	
7	2	2208 44 Kneebrace	
8	2	4882 Plat Handrail Long	
9	2	4809 Plat Handrail Short	

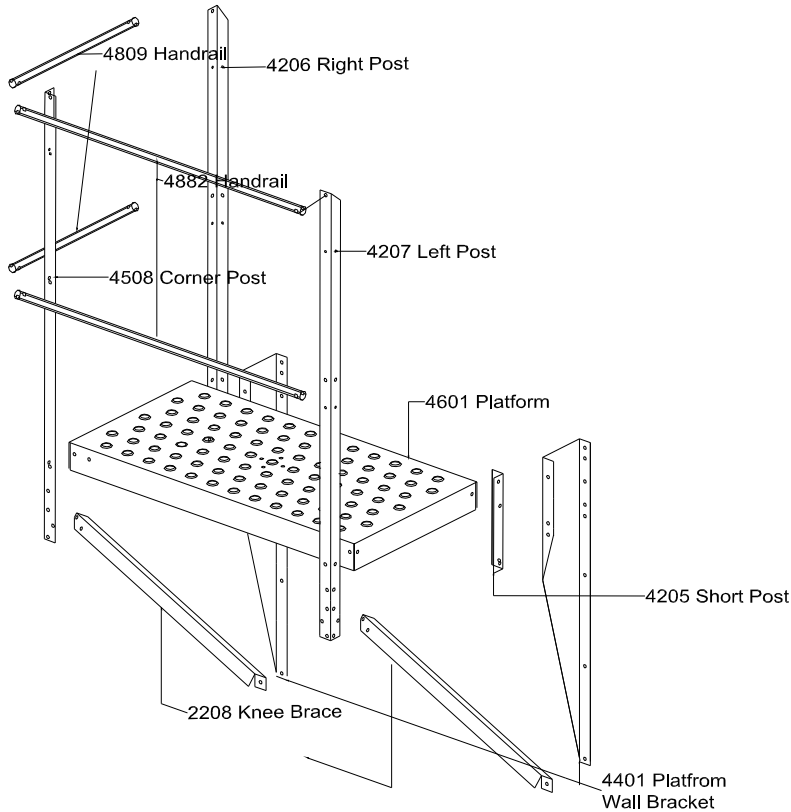


Use diagram on left to set the height of the platform. Align hole marked to the first horizontal seam on the bin. Plumb wall bracket. Drill a hole using wall bracket as a guide at the top and the bottom attach knee brace to bottom hole.

DRAWN Rex A Greene	12/22/2004	TITLE	
CHECKED		IN-30004	
QA		SIZE	DWG NO
MFG		C	38000 Plat asse
APPROVED		SCALE	REV
			1
			SHEET 1 OF 1

 <p><b>GREENE</b> <b>GALVANIZED</b> <b>STAIRS</b> www.greeneinstairs.com</p>	<p><b>GREENE</b> <b>Welding &amp; Hdw., Inc.</b> 41774 Main St. Box 191 • East Lynn, IL 60932 217-375-4244 • Fax: 217-375-4245</p>
---	--

## Assembly of 38000 Ladder Platform



On standard 32" and 44" bin sheets the platform Wall Brackets will attach 4 bolts (37 1/2") apart. Attach Wall Brackets to bin. In the lowest hole of the Wall Bracket attach Knee Braces.

Assemble Platform.

**Platform can go together right entry as shown, or reverse and make left entry.**

On the Platform skin attach Posts to corners as shown. Attach Platform to Wall Brackets using the holes in the post under the platform skin and the bottom hole of the Post to the Wall Brackets.

Attach Knee Braces to the 2<sup>nd</sup> and 3<sup>rd</sup> holes from the bottom

of the Posts.

Attach Handrails on the outside of the Posts tighten platform.