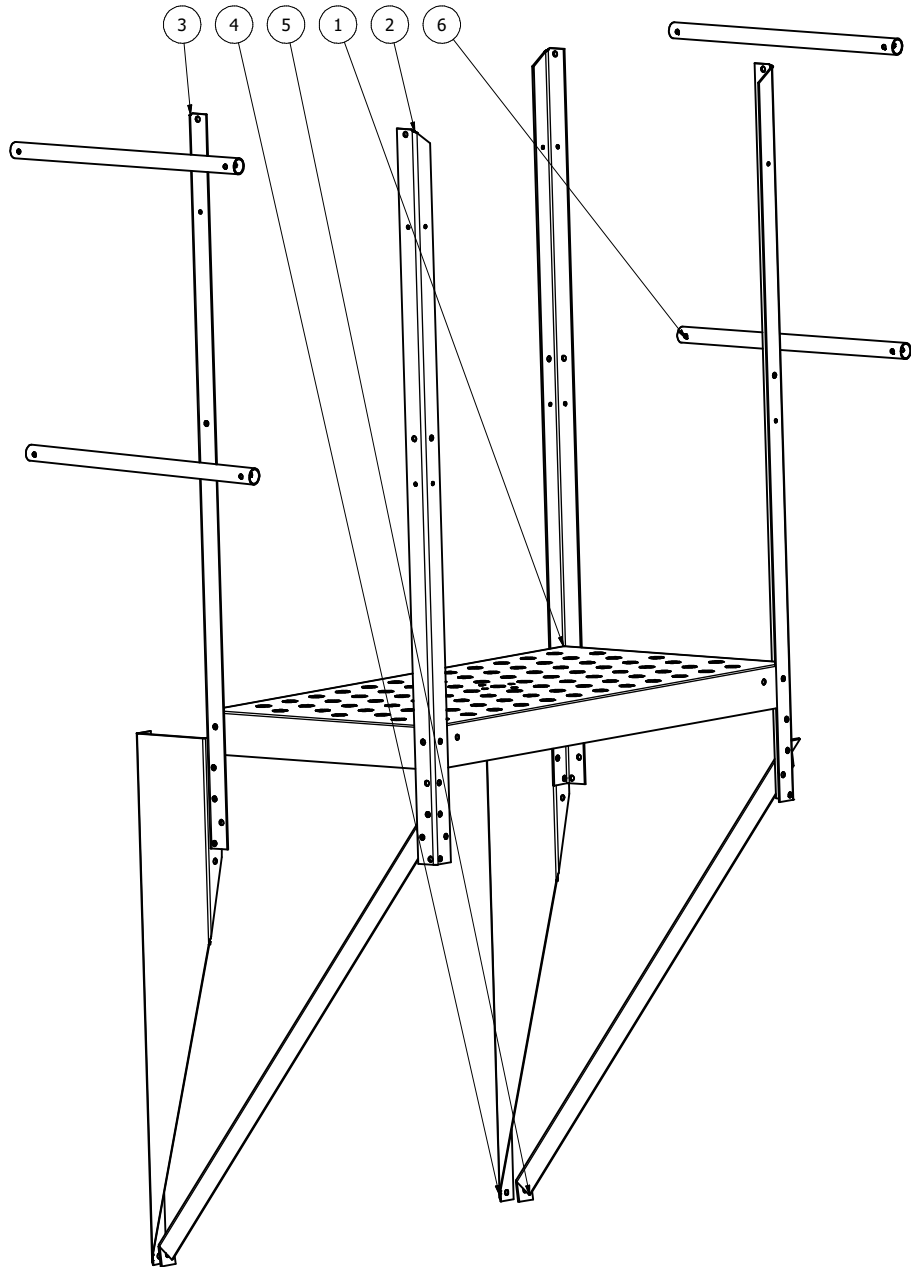
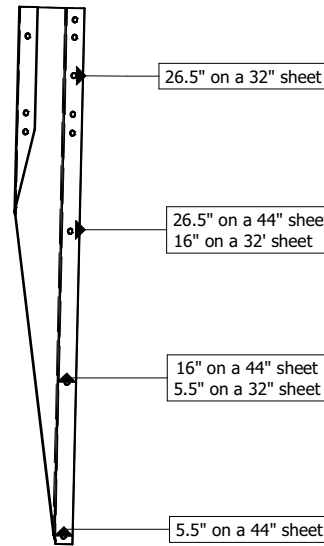


37000 Twin Platform



Parts List			
ITEM	QTY	PART NUMBER	DESCRIPTION
1	1	4601 Platform skin	
2	2	4206 Plat Right Post	
3	2	4207 Plat Left Post	
4	2	4401 Plat Wall Bracket	
5	2	2208 44 Kneebrace	
6	4	4809 Plat Handrail Short	

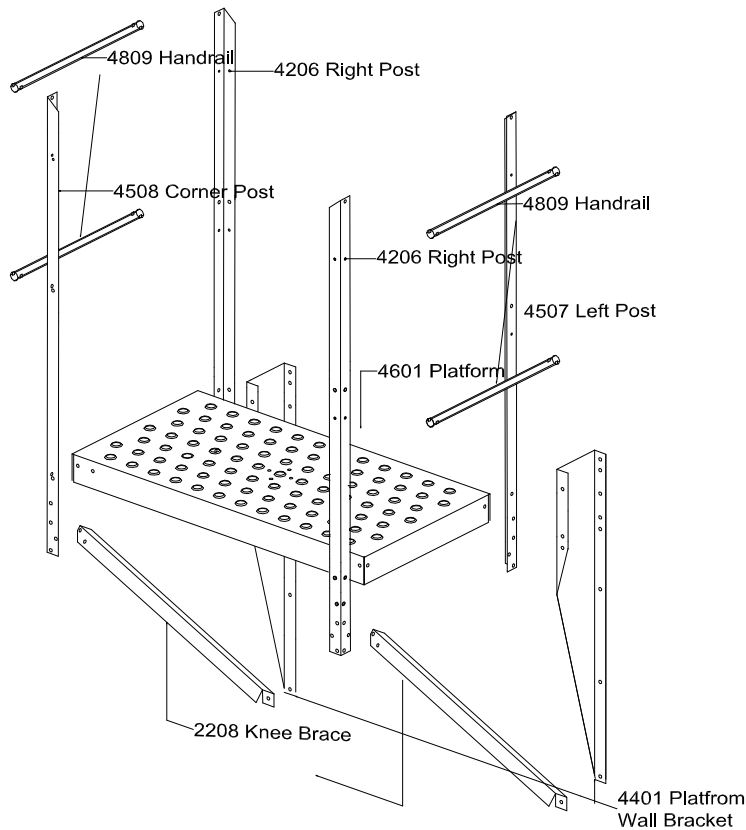


Use diagram on left to set the height of the platform.
Align hole marked to the first horizontal seam on the bin. Plumb wall bracket. Drill a hole using wall bracket as a guide at the top and the bottom attach knee brace to bottom hole.

DRAWN Rex A Greene	12/22/2004	TITLE IN-30003		
CHECKED				
QA				
MFG				
APPROVED		SIZE C	DWG NO 37000 Twin Plat assy	REV
		SCALE	SHEET 1 OF 1	

<p>GREENE ALVANIZED STAIRS www.greeneinstairs.com</p>	<p>GREENE Welding & Hdw., Inc. 41774 Main St. Box 191 • East Lynn, IL 60932 217-375-4244 • Fax: 217-375-4245</p>
--	--

Assembly of 37000 Twin Platform



On standard 32" and 44" bin sheets the platform Wall Brackets will attach 4 bolts (37 1/2") apart. Attach Wall Brackets to bin. In the lowest hole of the Wall Bracket attach Knee Braces.

Assemble Platform.

On the Platform skin attach Posts to corners as shown. Attach Platform to Wall Brackets using the holes in the post under the platform skin and the bottom hole of the Post to the Wall Brackets.

Attach Knee Braces to the 2nd and 3rd holes

from the bottom of the Posts.

Attach Handrail on the outside of the Posts tighten platform.