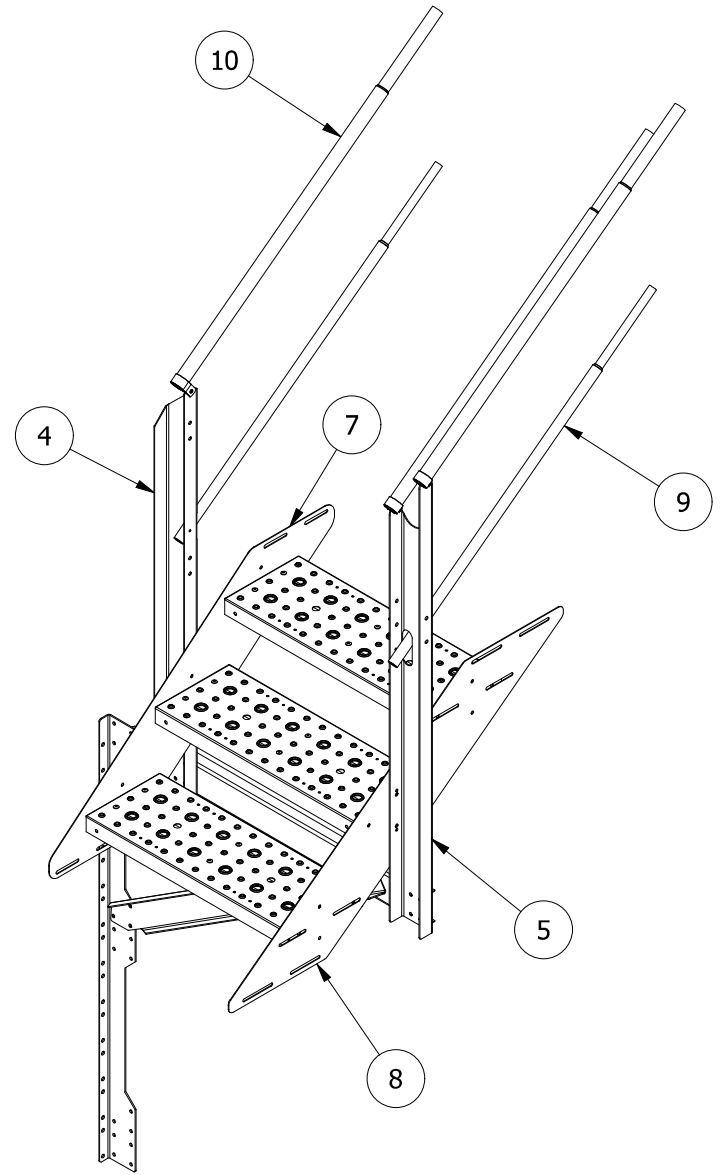
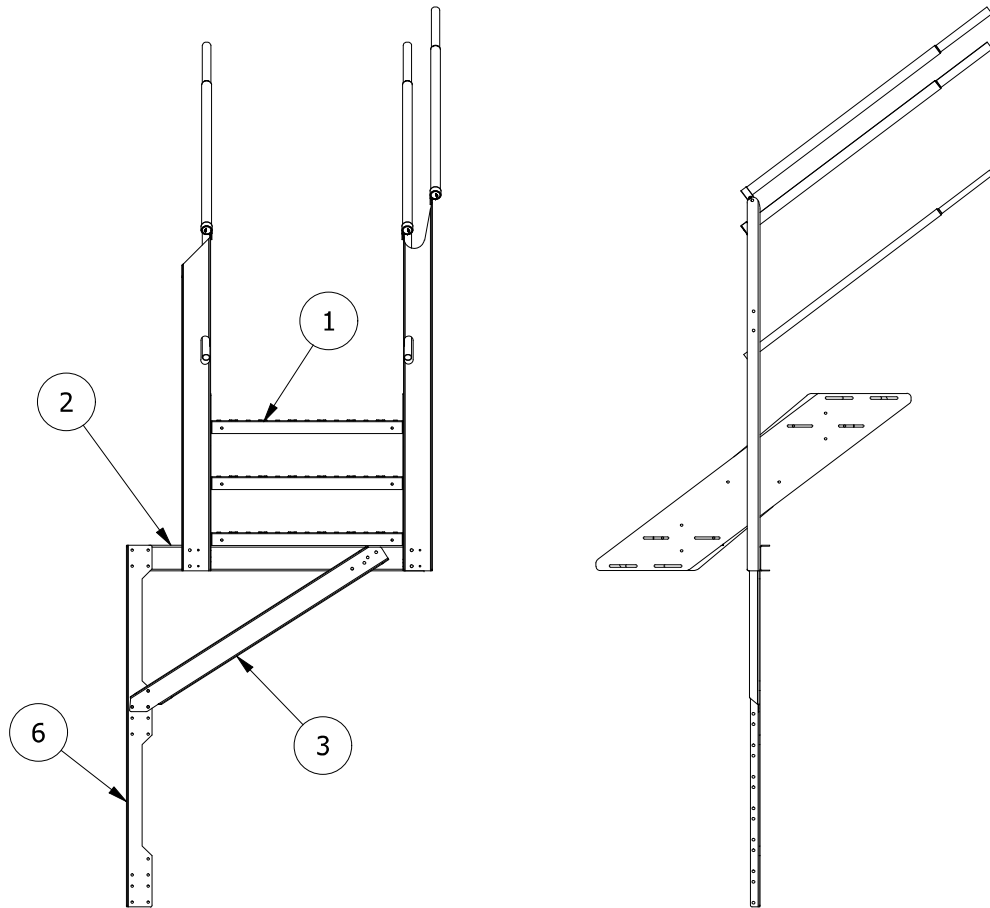
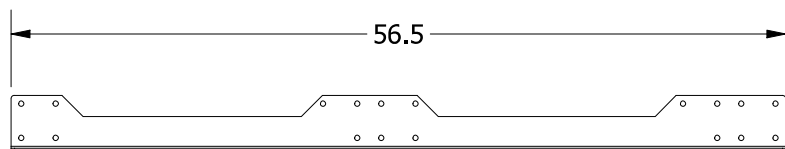


# AWTB0390, Stair Section for 39" Ring

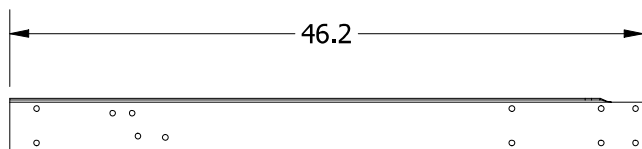
AWT3900, Stair Section 39" Parts List			
ITEM	PART NUMBER	DESCRIPTION	QTY
1	AS00030	Tread 30 x 11 Step Assembly	3
2	AS-40002	Channel, Crossbar, Stair	1
3	AS-40003	Kneebrace, Low	1
4	AS-40005	Post, Inside	1
5	AS-40006	Post, Outside	1
6	AS-40390	Bracket, Wall, 39" Ring	1
7	AS-40391	Stringer, Inside, 39" Ring	1
8	AS-40392	Stringer, Outside, 39" Ring	1
9	TR1004810	48 in 1.00 Swaged Tubing 10" swage	2
10	TR1504810	48 in 1.50 Swaged Tubing 10" swage	3



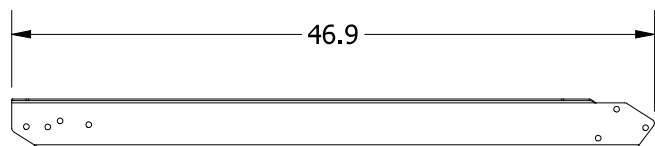
# Parts Identification



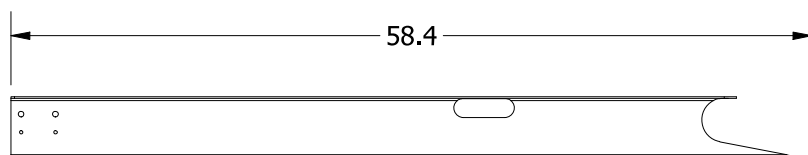
AS-40390



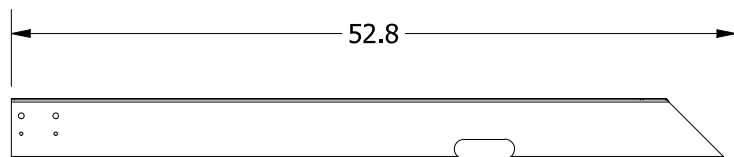
AS-40002



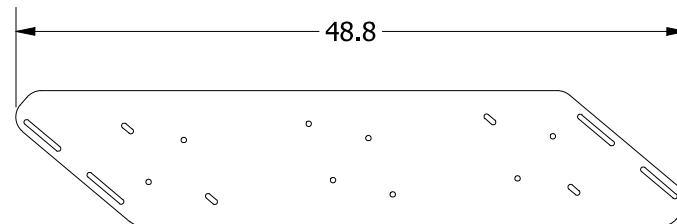
AS-40003



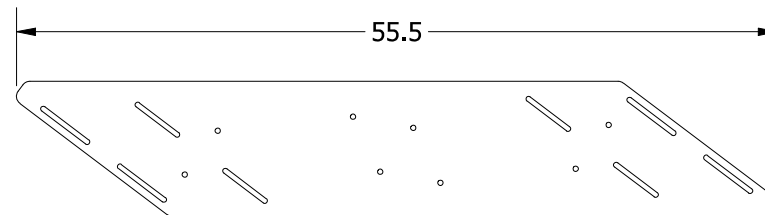
AS-40006



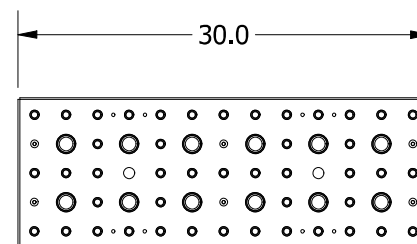
AS-40005



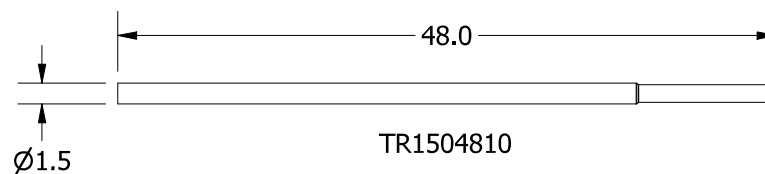
AS-40391



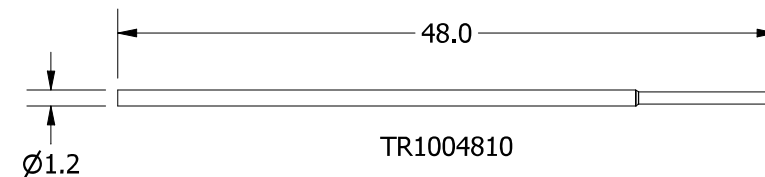
AS-40392



AS00030



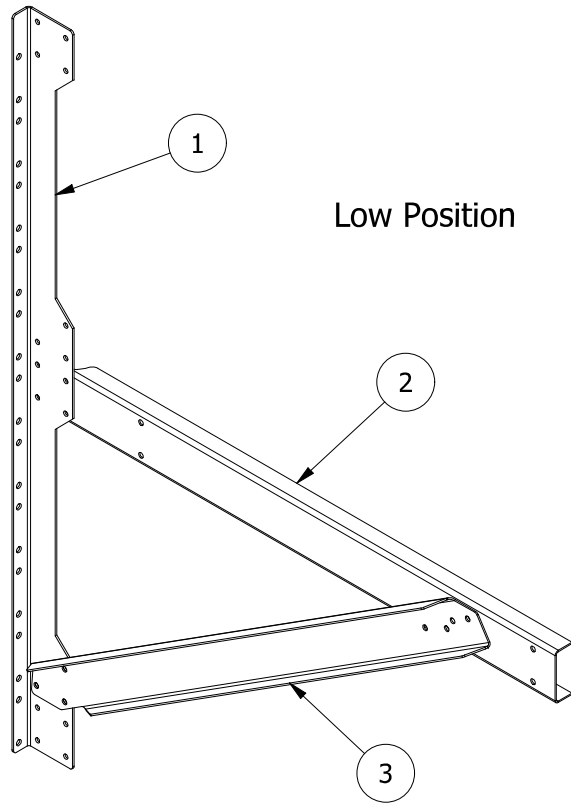
TR1504810



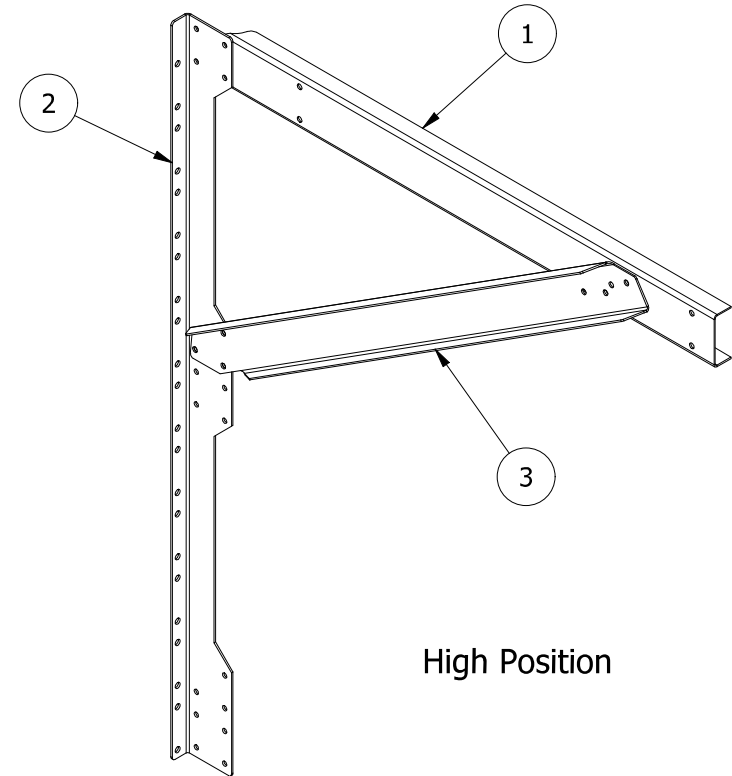
TR1004810

# Wall Bracket Assembly

PARTS LIST		
ITEM	PART NUMBER	DESCRIPTION
1	AS-40390	Bracket, Wall, Stair 39" ring
2	AS-40002	Channel, Crossbar, Stair
3	AS-40003	Kneebrace, Low



Low Position



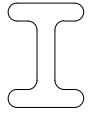
High Position

A. Attach the cross bar AS-40002 to the wall bracket AS-40390 in either the high or low position. Secure using (4) 3/8" Flange Bolts and Nuts.

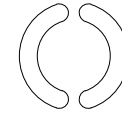
B. Attach the kneebrace AS-40003 to the wall bracket AS-40390. Secure using (4) 3/8" Flange Bolts and Nuts.

# Stair Section Assembly

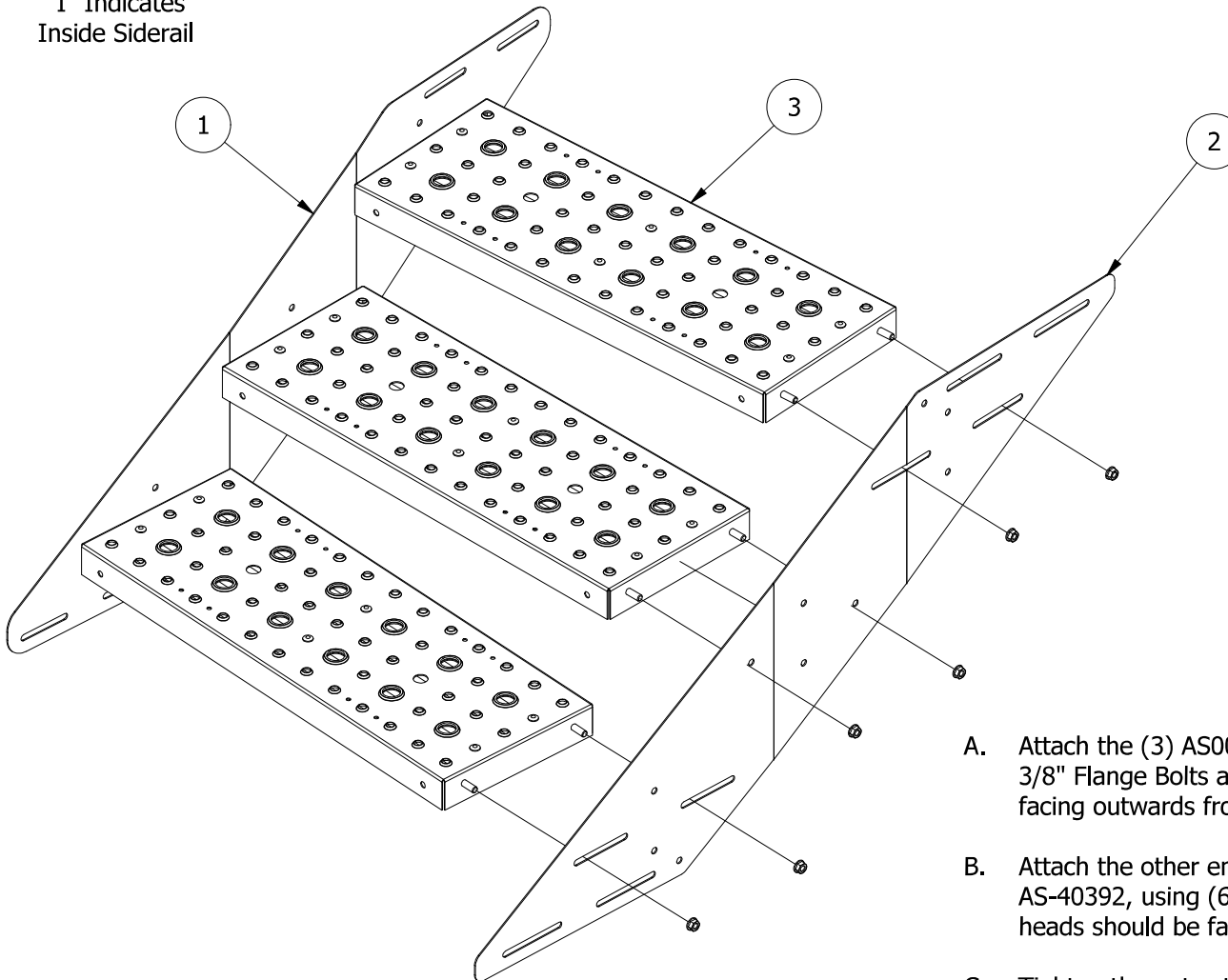
PARTS LIST			
ITEM	PART NUMBER	DESCRIPTION	QTY
1	AS-40391	Stringer, Inside, 39" Ring	1
2	AS-40392	Stringer, Outside, 39" Ring	1
3	AS00030	Tread 30 x 11 Step Assembly	3



"I" Indicates  
Inside Siderail



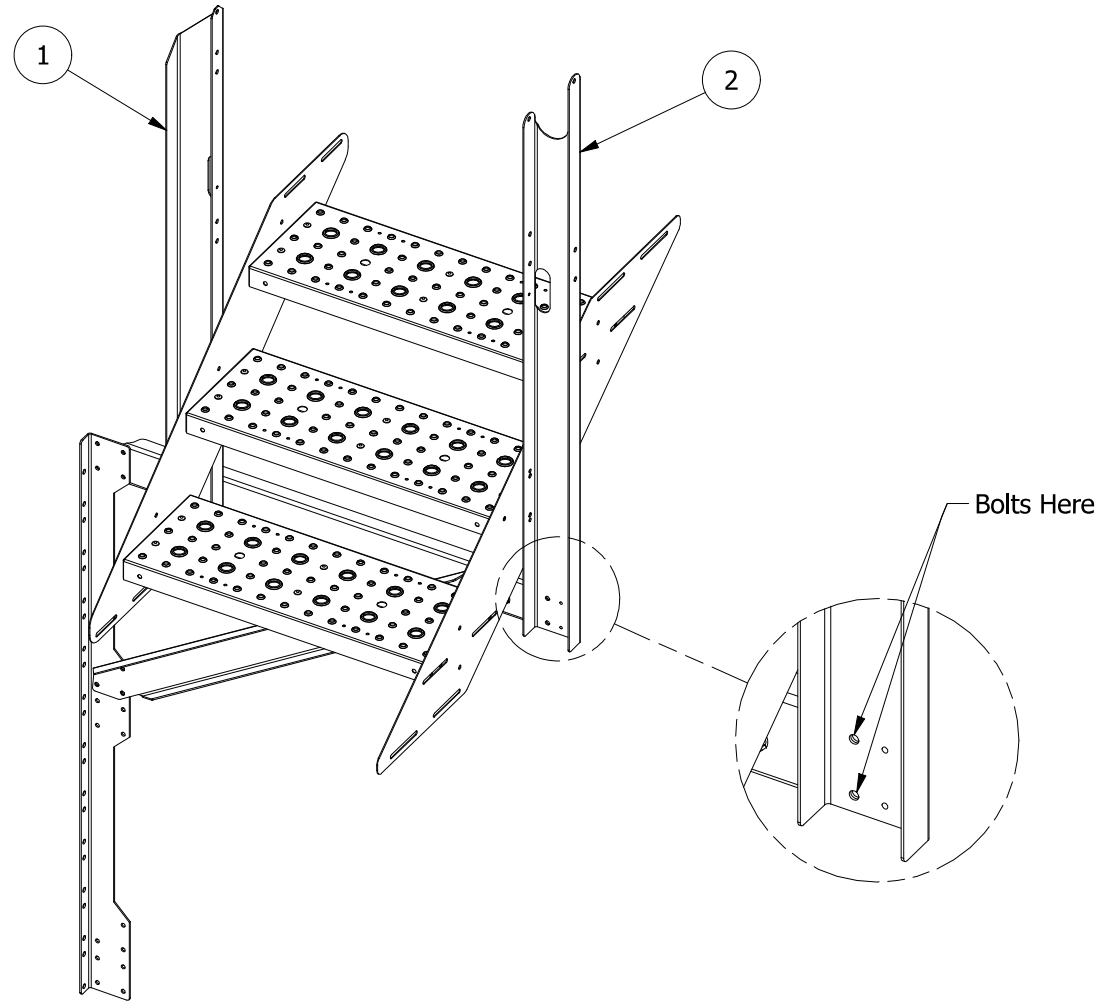
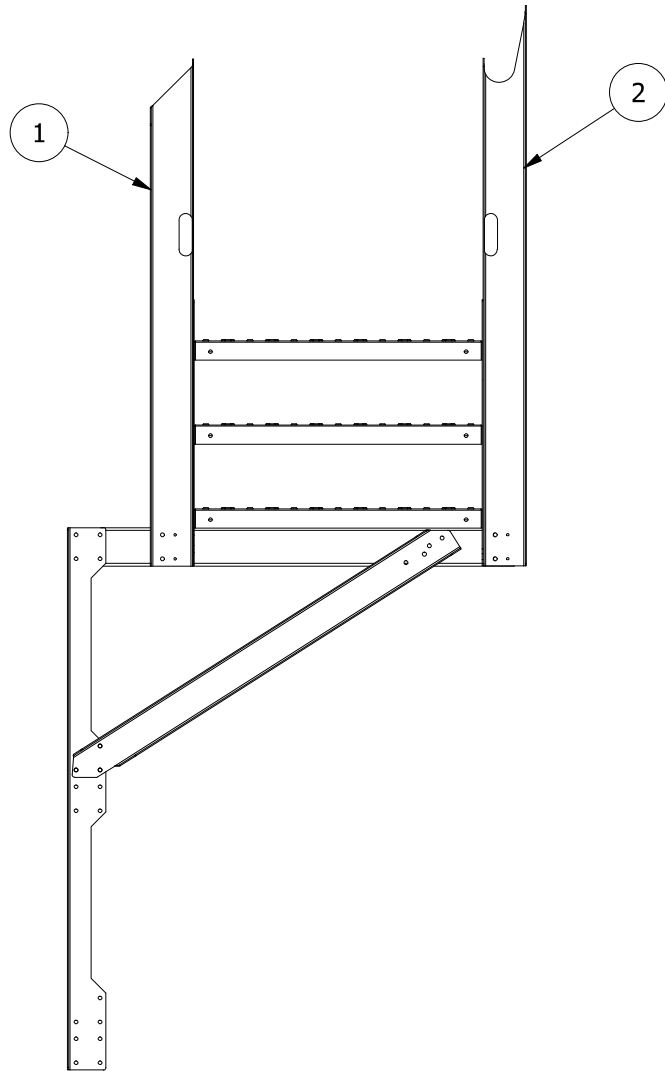
"O" Indicates  
Outside Siderail



- A. Attach the (3) AS00030 stair treads to inside siderail AS-40391, using (6) 3/8" Flange Bolts and (6) 3/8" Lock Nuts. The bolt heads should be facing outwards from the assembly.
- B. Attach the other end of the (3) AS00030 stair treads to outside siderail AS-40392, using (6) 3/8" Flange Bolts and (6) 3/8" Lock Nuts. The bolt heads should be facing outwards from the assembly.
- C. Tighten the nuts attached to the center stair tread. Leave the other two stair treads loose for final adjustment on the bin.

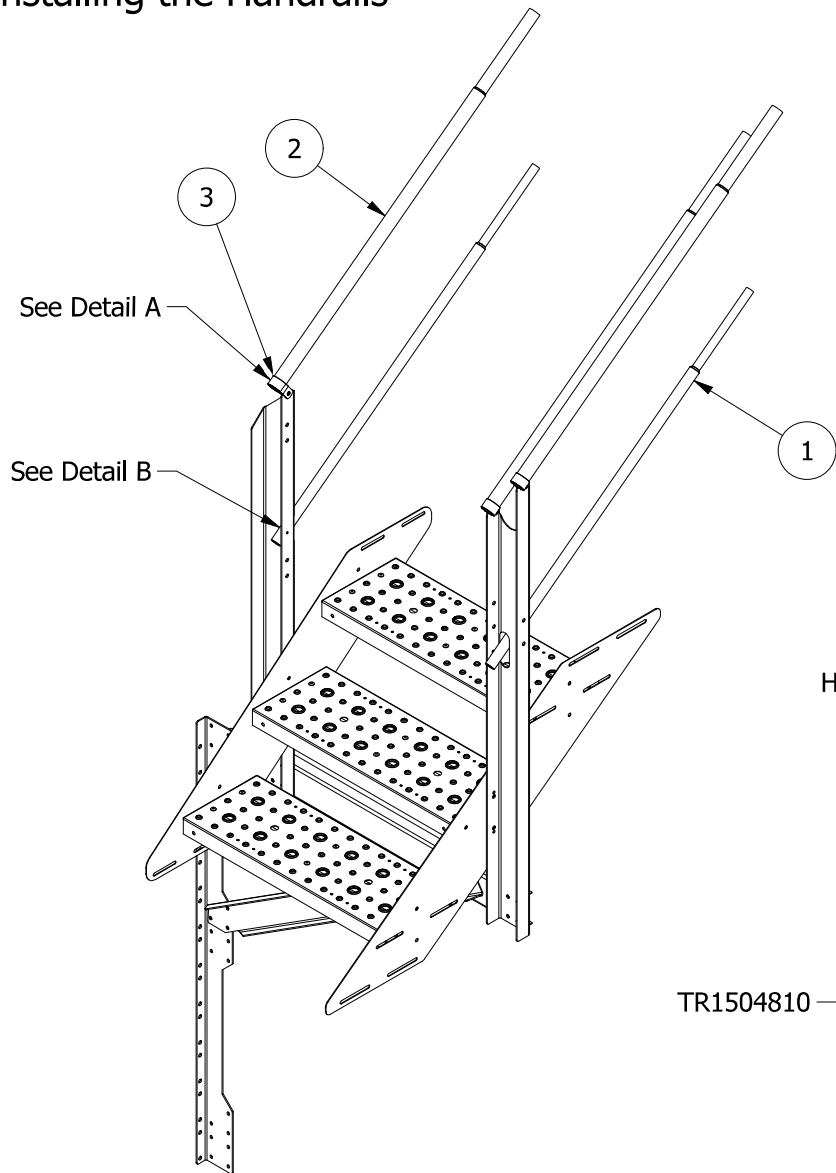
# Attaching the Stair Posts

PARTS LIST			
ITEM	PART NUMBER	DESCRIPTION	QTY
1	AS-40005	Post, Inside Stair	1
2	AS-40006	Post, Stair Rail, Guard Rail Outside	1



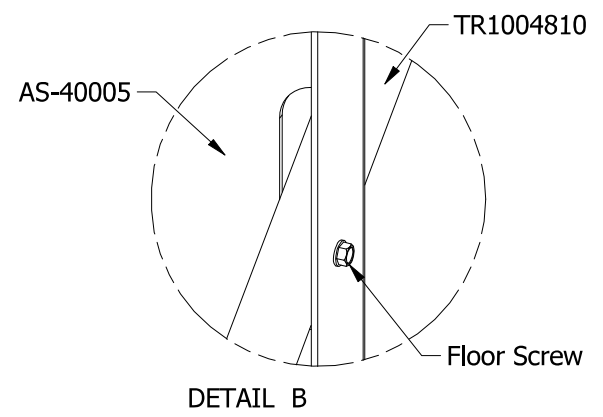
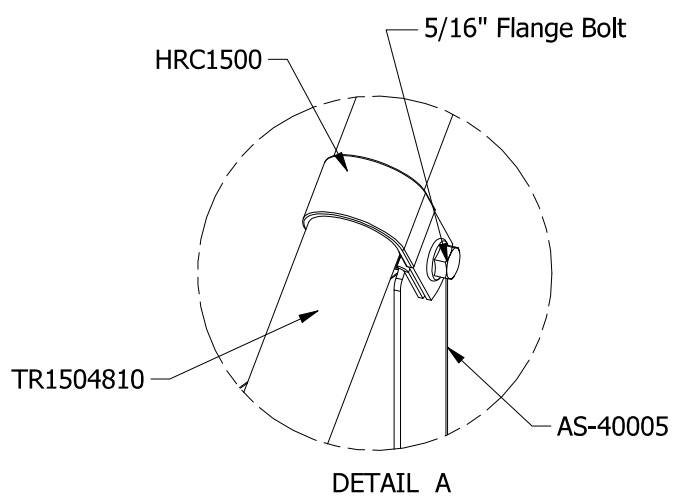
- A. Attach the inside stair post AS-40005 to the wall bracket as shown using (2) 3/8" Flange Bolts and Nuts.
- B. Set the stair section onto the inside stair post using (2) 3/8" Flange Bolts Nuts.
- C. Attach the outside stair post AS-40006 to the wall bracket as shown using (2) 3/8" Flange Bolts and Nuts.
- D. Attach the outside stair post to the stair section using (2) 3/8" Flange Bolts and Nuts.

# Installing the Handrails



- A. Using (3) HRC1500 Handrail P-Clamps, secure the (3) TR1504810 1.5" Handrails to the posts as shown. The P-Clamps should be facing away from the posts; refer to Detail A.
- B. Secure the P-Clamps using (3) 5/16" Flange Bolts and Nuts. The bolts should be facing outwards, away from the stairs.
- C. Secure the (2) TR1004810 1.1" Handrails to the inside of the posts using (2) Floor Screws. Refer to Detail B.
- D. Using (3) Floor Screws, secure the 1.5" Handrails to the 1.5" P-Clamps, drilling through the underside of the P-Clamp.

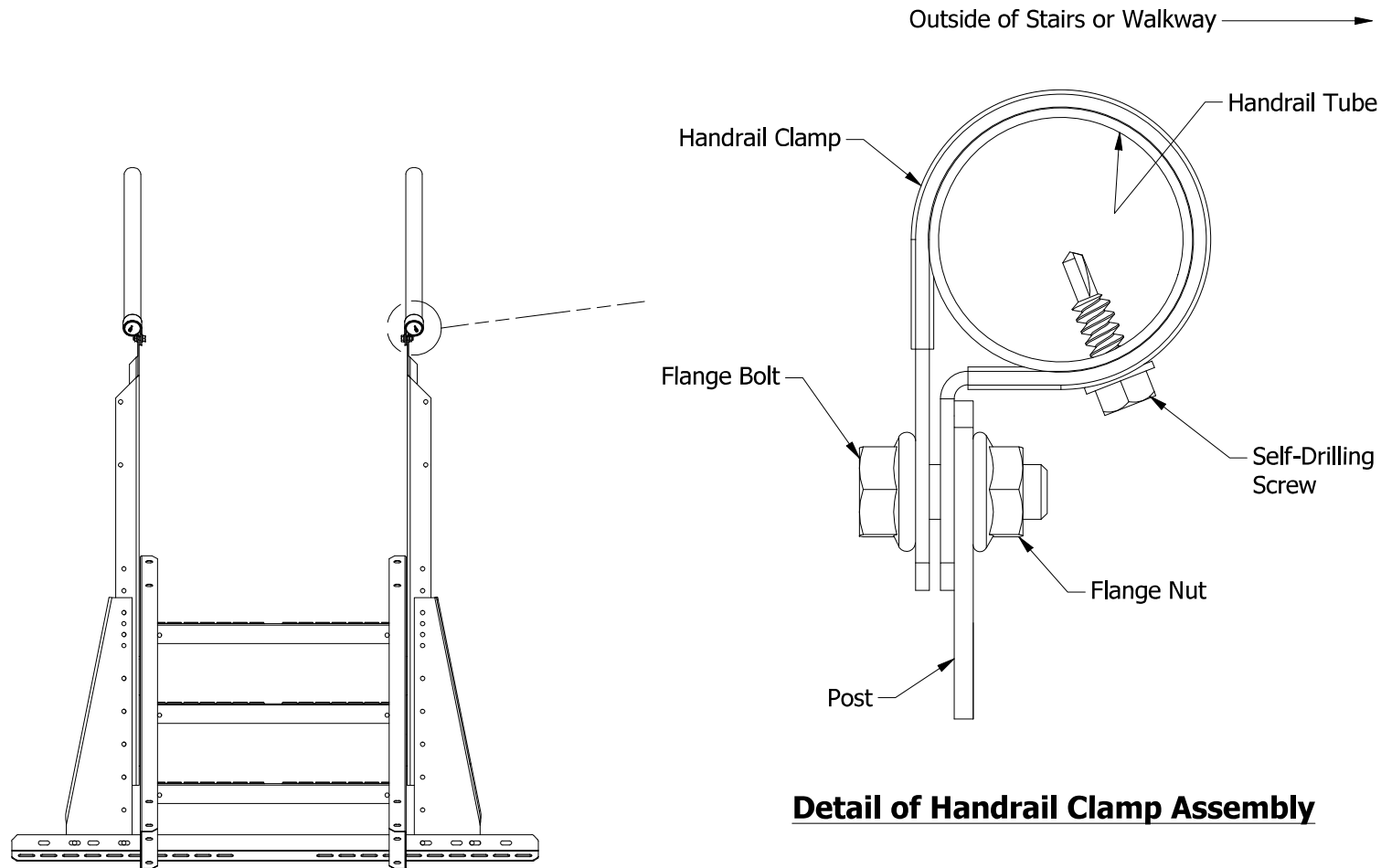
See next page for detailed handrail clamp instructions.



PARTS LIST			
ITEM	PART NUMBER	DESCRIPTION	QTY
1	TR1004810	48 in 1.00 Swaged Tubing 10" swage	2
2	TR1504810	48 in 1.50 Swaged Tubing 10" swage	3
3	HRC1500	Handrail Clamp for 1.5 in	3

# Handrail Clamp Installation Instructions

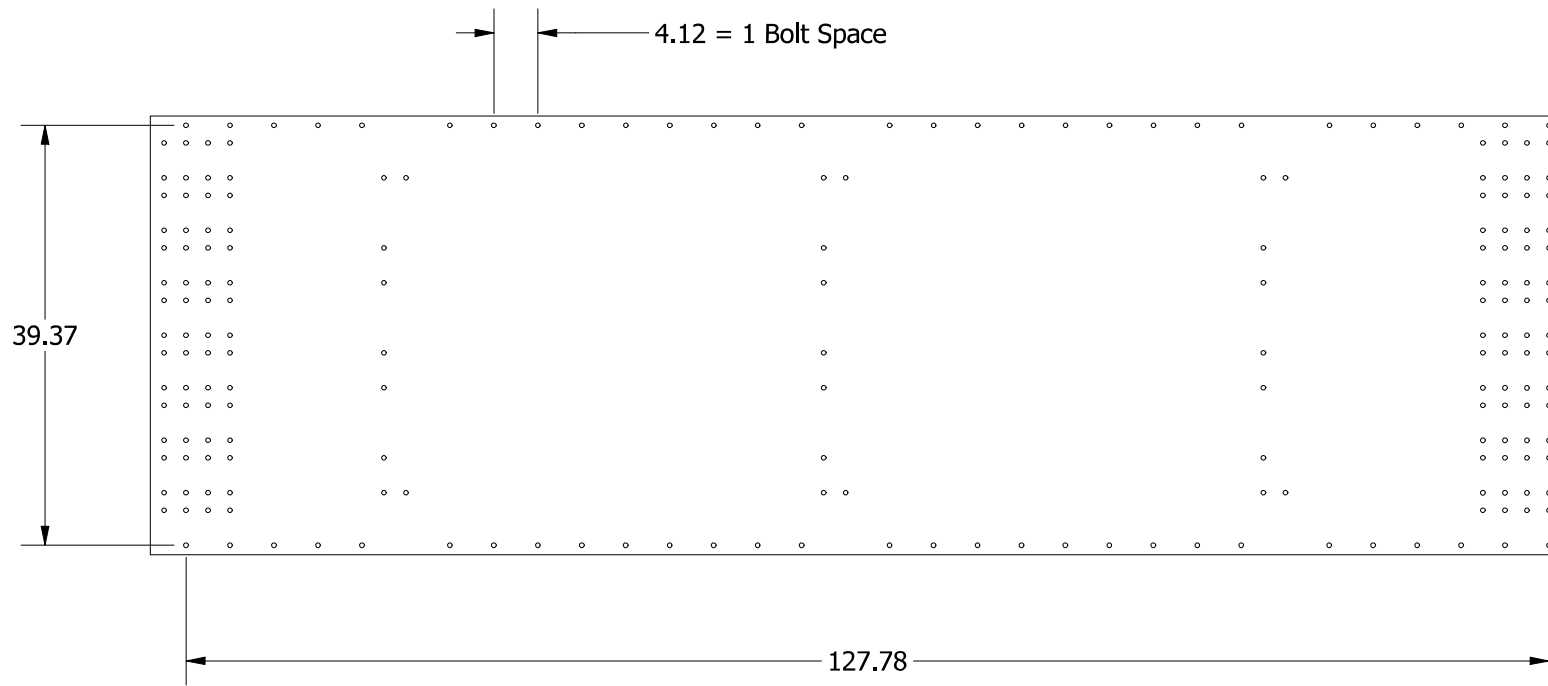
- Position the handrail clamp so it is oriented facing outward, and so it does not interfere into the width of the stairs or walkway.
- Insert the bolt through both holes on the handrail clamp first, then push the bolt through the hole in the stair post from the inside. Install the nut on the outside so that the bolt head is on the inside of the stairs.
- Fasten the clamp tightly together so it is closed around the handrail, making sure the post is not between the two tabs.
- Install a self-drilling screw into the handrail clamp and through the handrail. It should be positioned on the outside near the bottom, approximately as shown, to minimize contact with the hands.



Roof Stair Example Shown

## 39" Bin Sheet Bolt Spacing

- The term "bolt space", as commonly used in the Greene instruction manuals, is the center to center distance between two bolt holes.
- The horizontal bolt spacing on a 39" bin sheet is 4 1/8".
- The actual chord length of the space will vary slightly from 4 1/8", depending on the bin diameter.



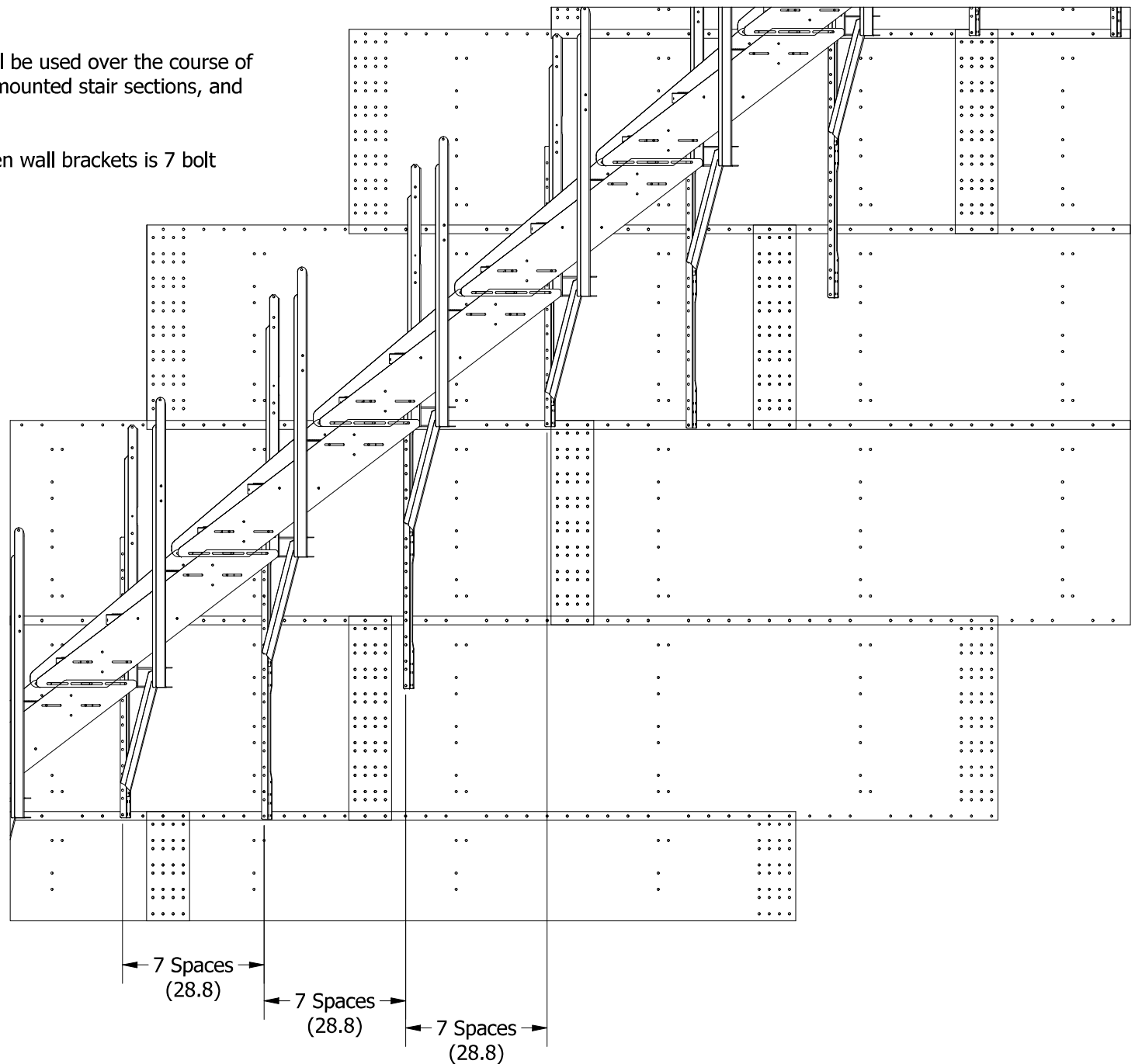
**Bin Sheet Dimensions**



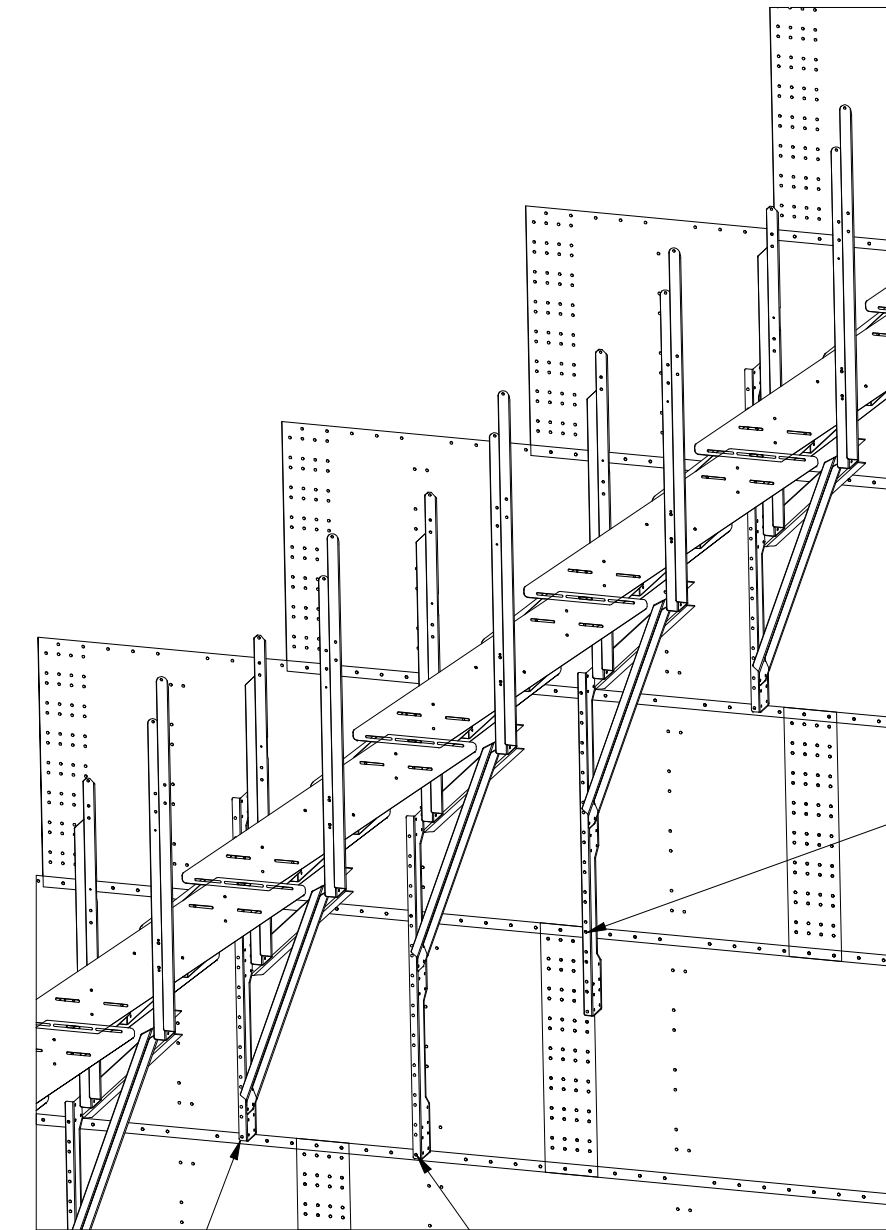
## Stair Wall Bracket Spacing, Horizontal

Three AWTB0390 stair sections will be used over the course of two 39" bin sheets: Two (2) high-mounted stair sections, and one (1) low-mounted stair section.

The horizontal bolt spacing between wall brackets is 7 bolt spaces (28.8")



## Stair Wall Bracket Spacing, Vertical



Three AWTB0390 stair sections will be used over the course of two 39" bin sheets: Two (2) high-mounted stair sections, and one (1) low-mounted stair section.

- A. The low mount section is mounted with the bottom bolt of the wall bracket in a horizontal seam.
- B. The next section up will be a high mount with the bottom bolt of the the wall bracket in the same horizontal seam.
- C. The next section up will be a high mount with the 6th bolt from the bottom of the wall bracket in the horizontal seam of the next bin sheet up.

The horizontal bolt spacing between wall brackets is 7 bolt spaces (28.8")

Low Mount,  
Bottom Hole  
in Seam

High Mount,  
Bottom Hole in Seam

High Mount,  
6th Hole from Bottom  
in Seam