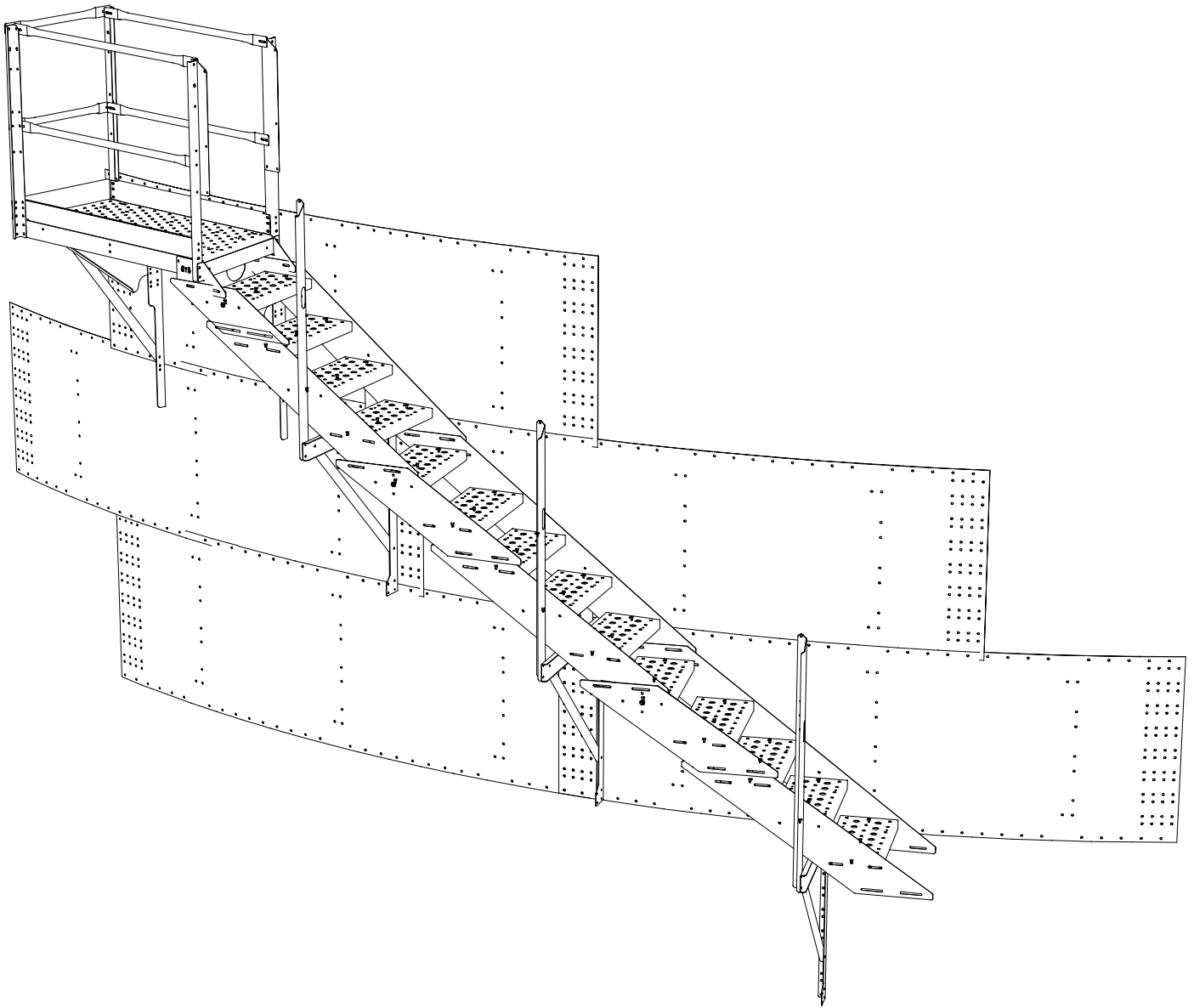


C-Series Sidewall Stairs

39" Farm Duty Assembly Instructions & Parts Reference



C-Series Sidewall Stairs

39" Farm System

Document Guide

Wall Bracket Layouts.....4

Position Guides.....6

Eave Platform Layout.....7

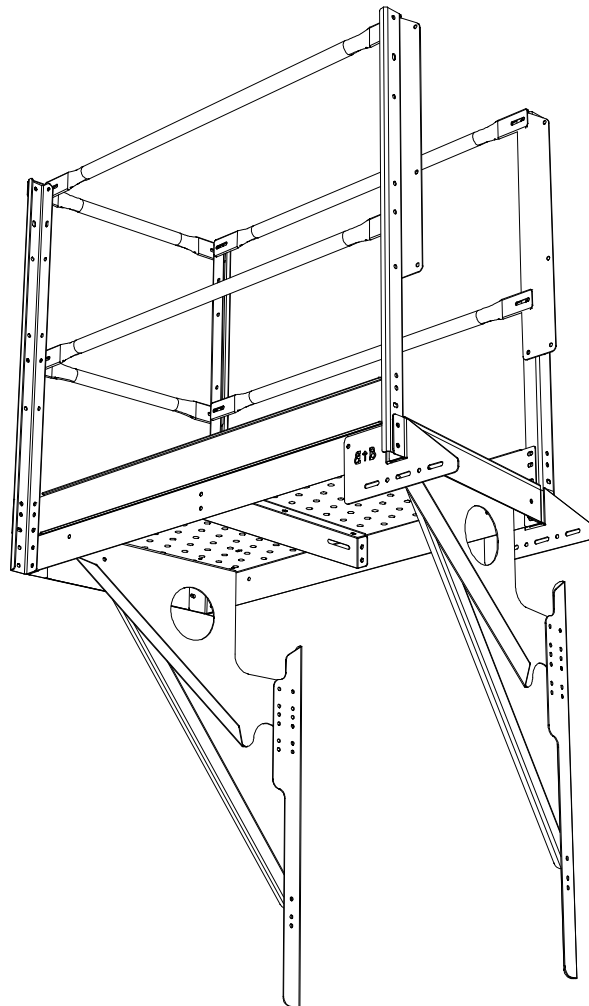
Platform 3539L Components & Assembly.....9

4-Step Stair Section.....18

5-Step Stair Section.....21

Bottom Section.....25

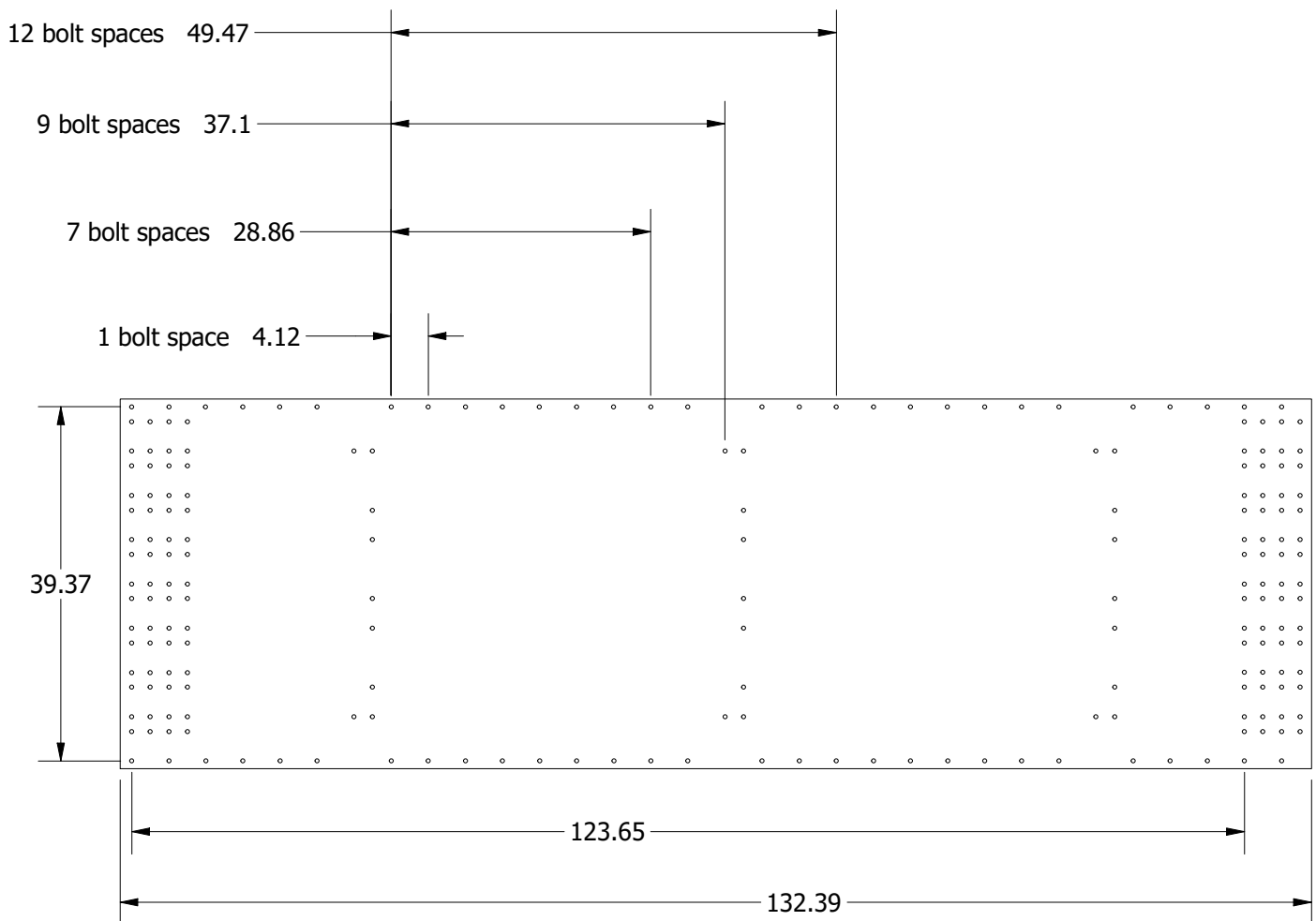
Handrail.....27



39" Bin Sheet Bolt Spacing

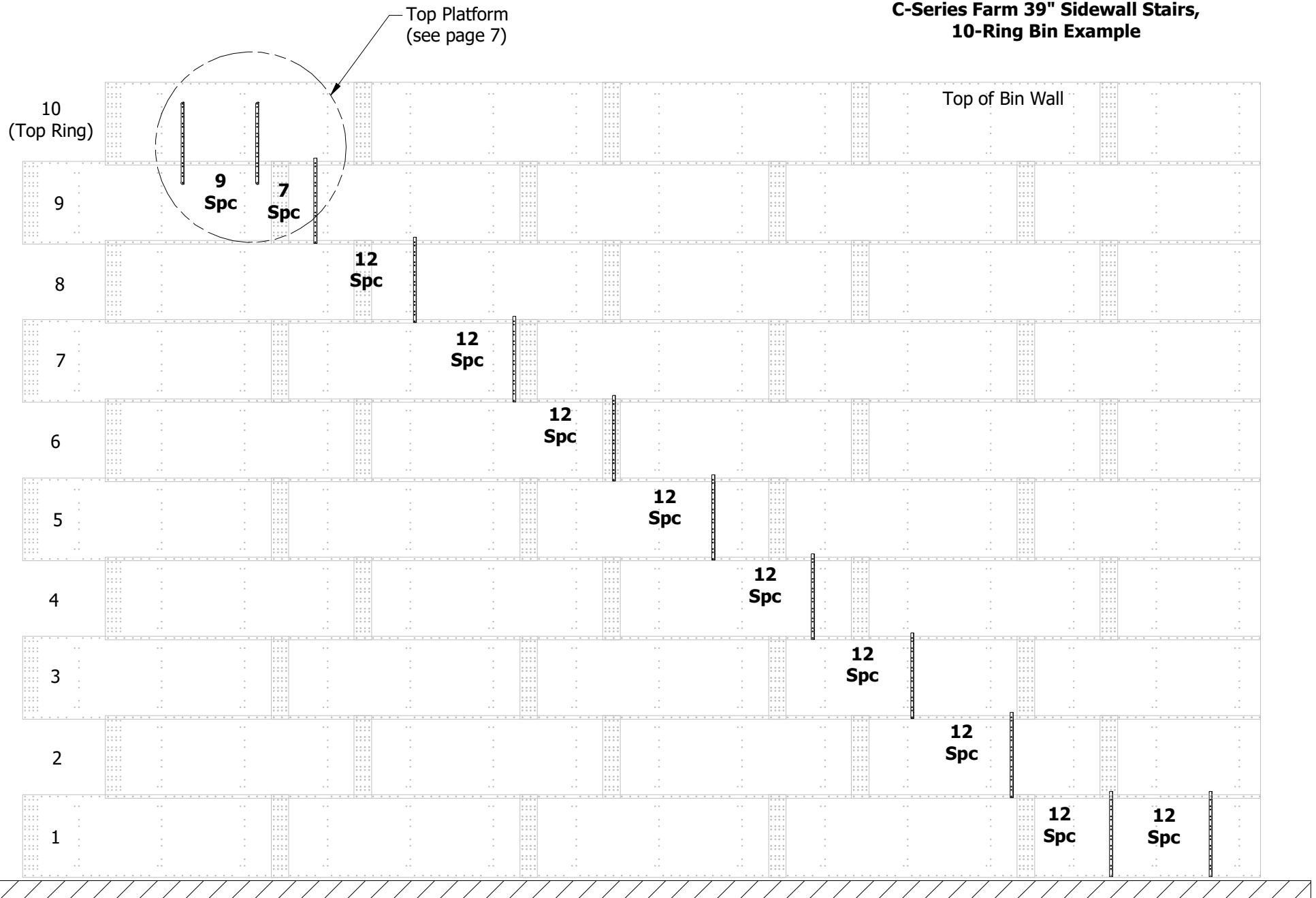
A standard 39" bin sheet is shown below. Wall bracket placement is marked by "Bolt Spaces" throughout these instructions. On a 39" sheet, a bolt space is equal to 4.125 inches.

Use this page to convert distances given in bolt spaces to inches. Example: 12 SPC = 49.5"
Correct spacing between wall brackets is crucial for proper stair assembly.



39" Bin Sheet
(1 Sheet = 30 bolt spaces)

**C-Series Farm 39" Sidewall Stairs,
10-Ring Bin Example**



Overall Run Distance can be determined using this formula:

Bolt Spaces: $4 + 12 \times \text{ring count} = \text{Total Bolt Spaces}$

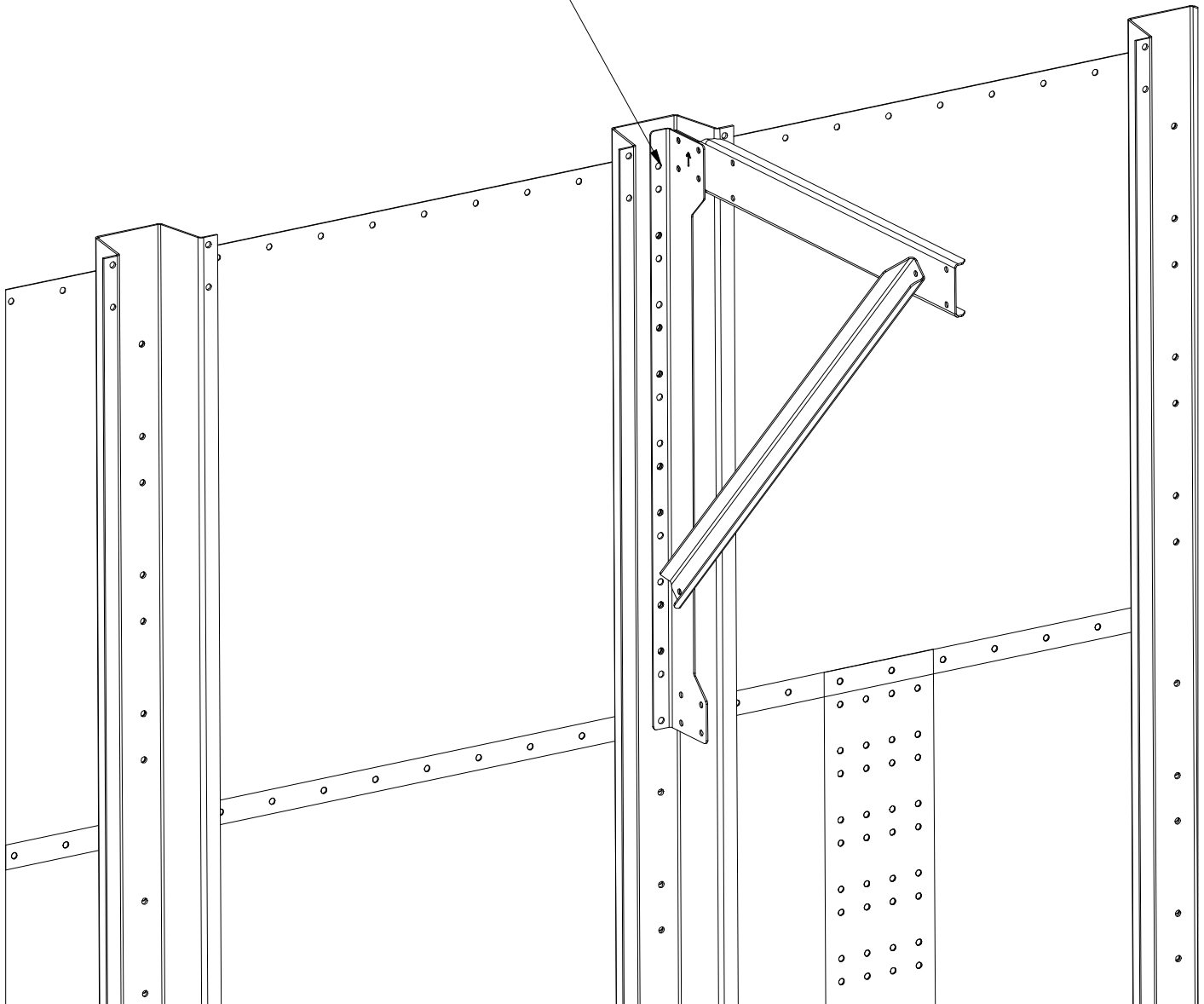
Bin sheets = $\text{Total bolt spaces} / 30$

39" Outside Stiffener Accommodation

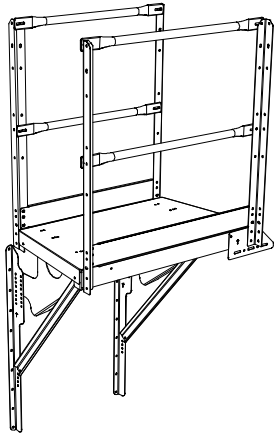
Standard wall bracket layout may be interrupted by the use of exterior stiffeners. If the bracket lands on an occupied bolt hole, it is recommended to nest the wall bracket in the stiffener valley to utilize existing holes.

Minor deviation ($\pm 1.5"$) from standard bolt spacing can be absorbed by adjustment of stair sections

Nest wall bracket inside stiffener
in the case of layout interference



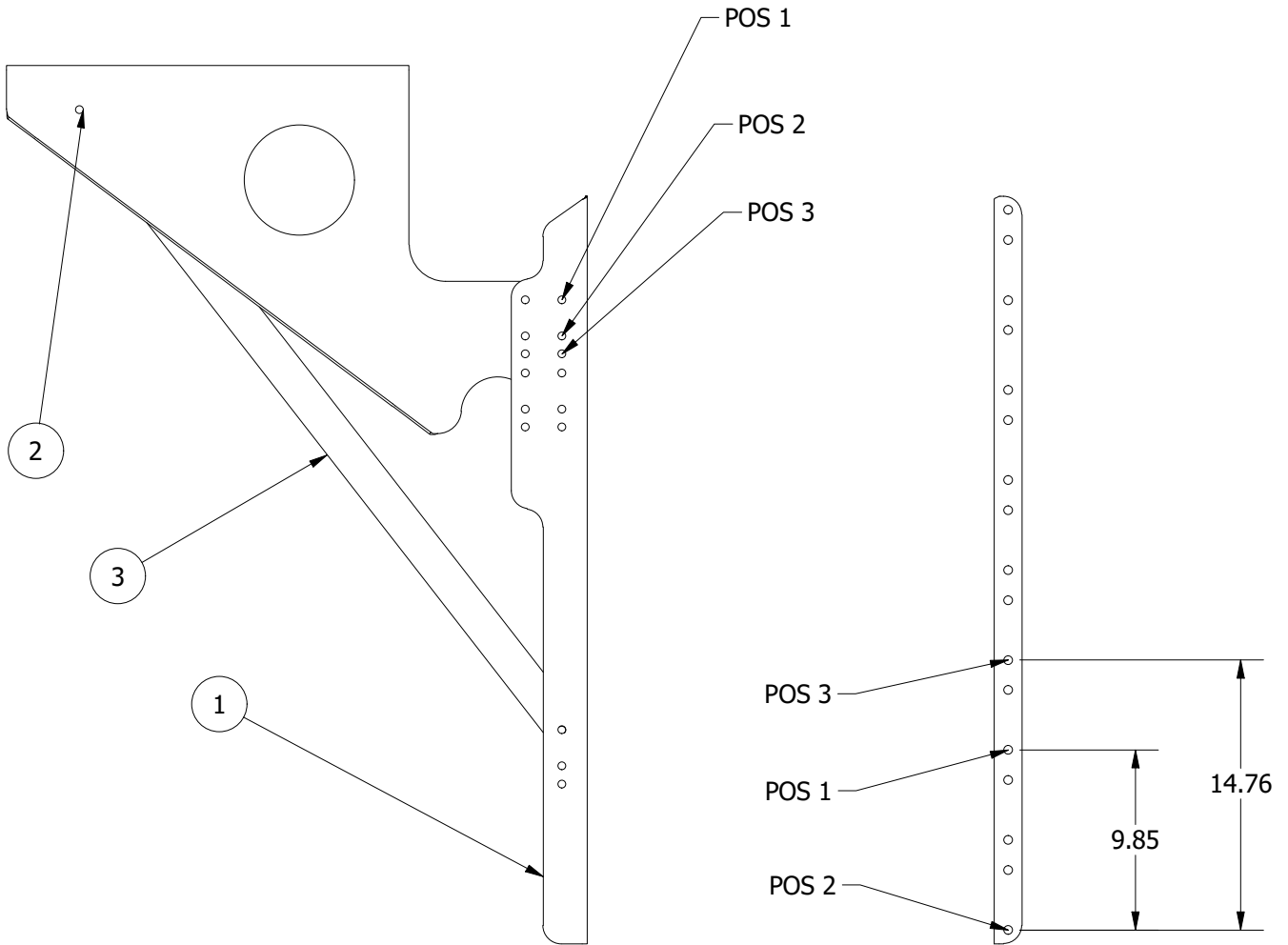
Platform A-Frame 39" Position Guide



PARTS LIST			
ITEM	QTY	PART NUMBER	DESCRIPTION
1	1	CS-33901	Bracket, Wall, 39.37 Platform
2	1	CS-34402	Brace, Plate, Platform
3	1	CS-32002	Channel, K-Brace, C-Series

There are 3 position adjustments for brackets mounted in or below the seam.

On the Farm duty 39" package, the top platform will use POS 1 and be followed by a 4-step section (page 18). The Farm duty packages do not include rest landings.



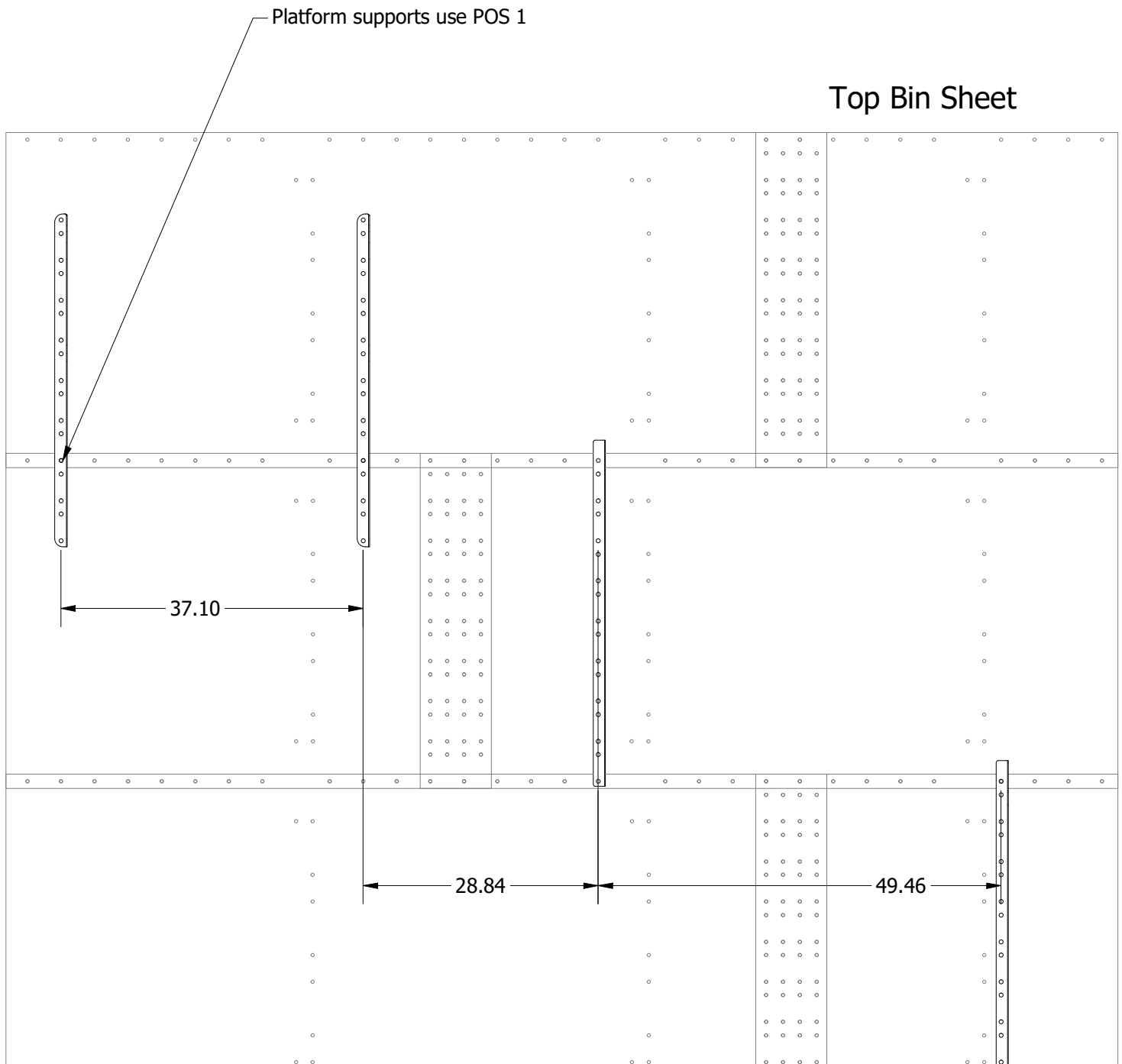
Indicated hole should be mounted at sheet seam,
see next page

Eave Platform Wall Bracket Horizontal Bolt Spacing, C-Series Farm 39" Long Platform

The horizontal spacing between the long eave platform wall brackets is 9 bolt spaces (37.1").

The horizontal spacing from the platform wall bracket to the 4-step stair wall bracket is 7 bolt spaces (28.84").

The remaining stair brackets are 12 bolt spaces apart (49.46")



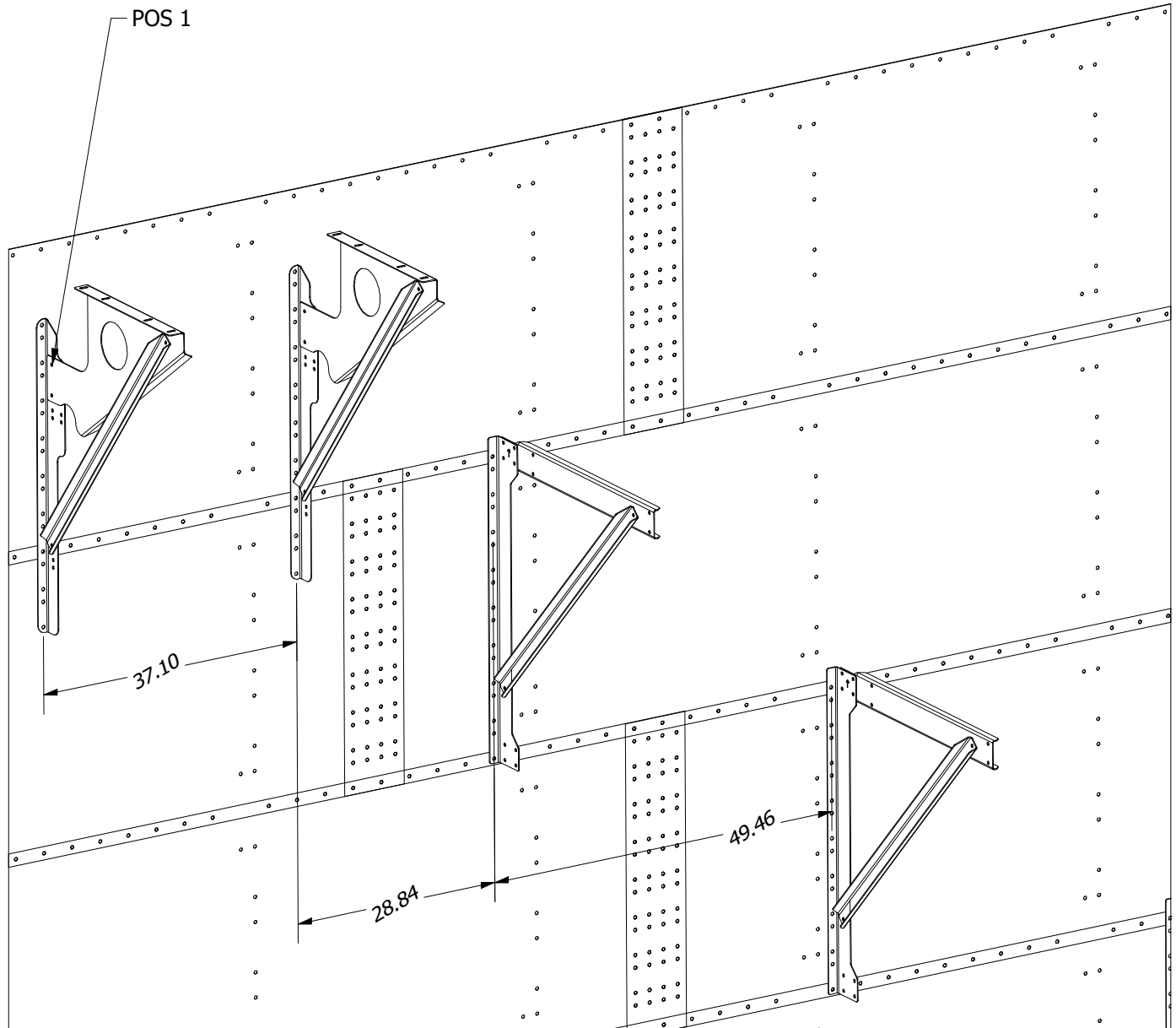
Platform Wall Bracket Horizontal Bolt Spacing, C-Series Farm 39"

The horizontal spacing between the long eave platform wall brackets is 9 bolt spaces (37.1")

The horizontal spacing from the platform wall bracket to the 4-step stair wall bracket is 7 bolt spaces (28.84")

The remaining stair brackets are 12 bolt spaces apart (49.46")

The top platform supports should be in position 1 to set correct height.

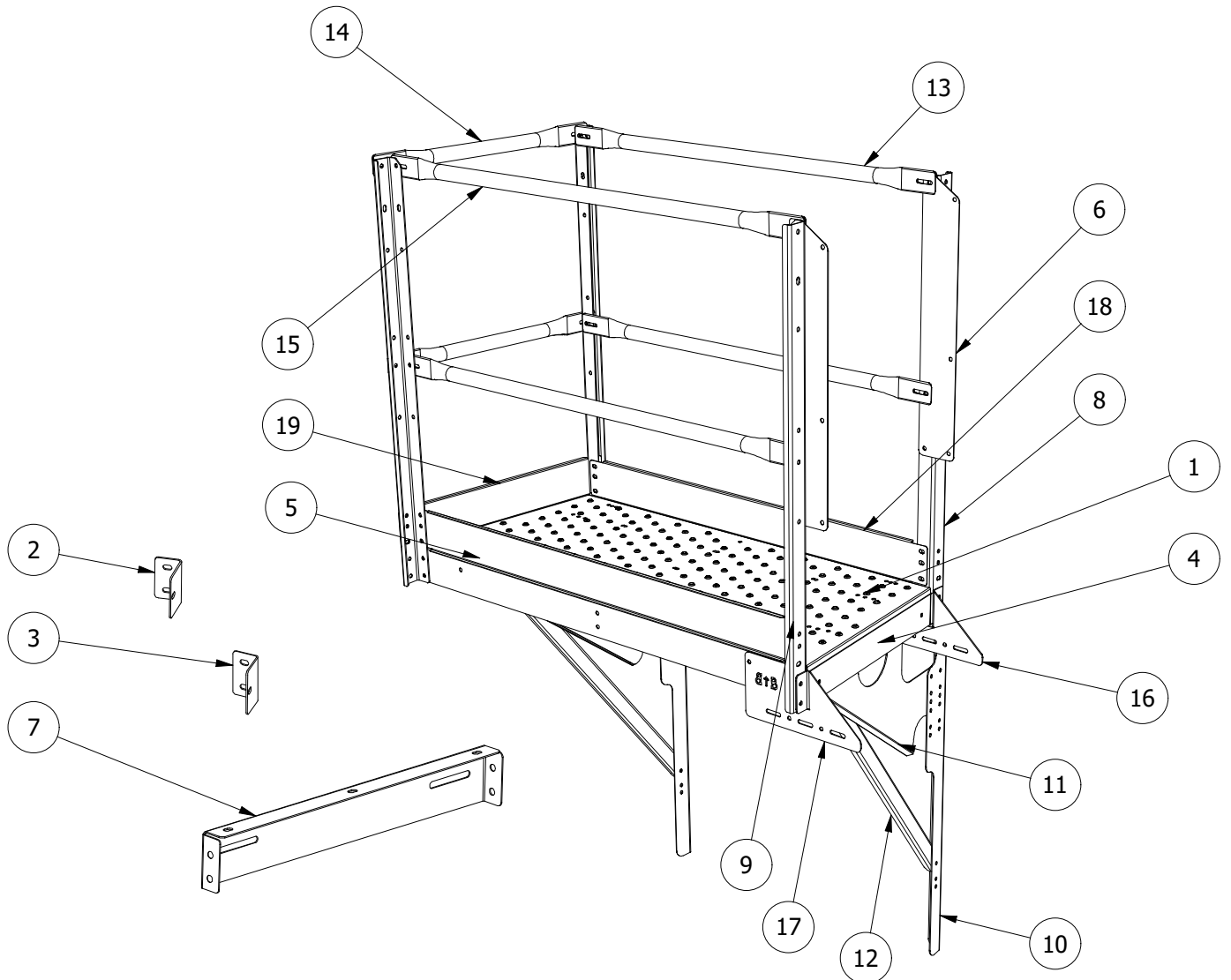


CF3539L

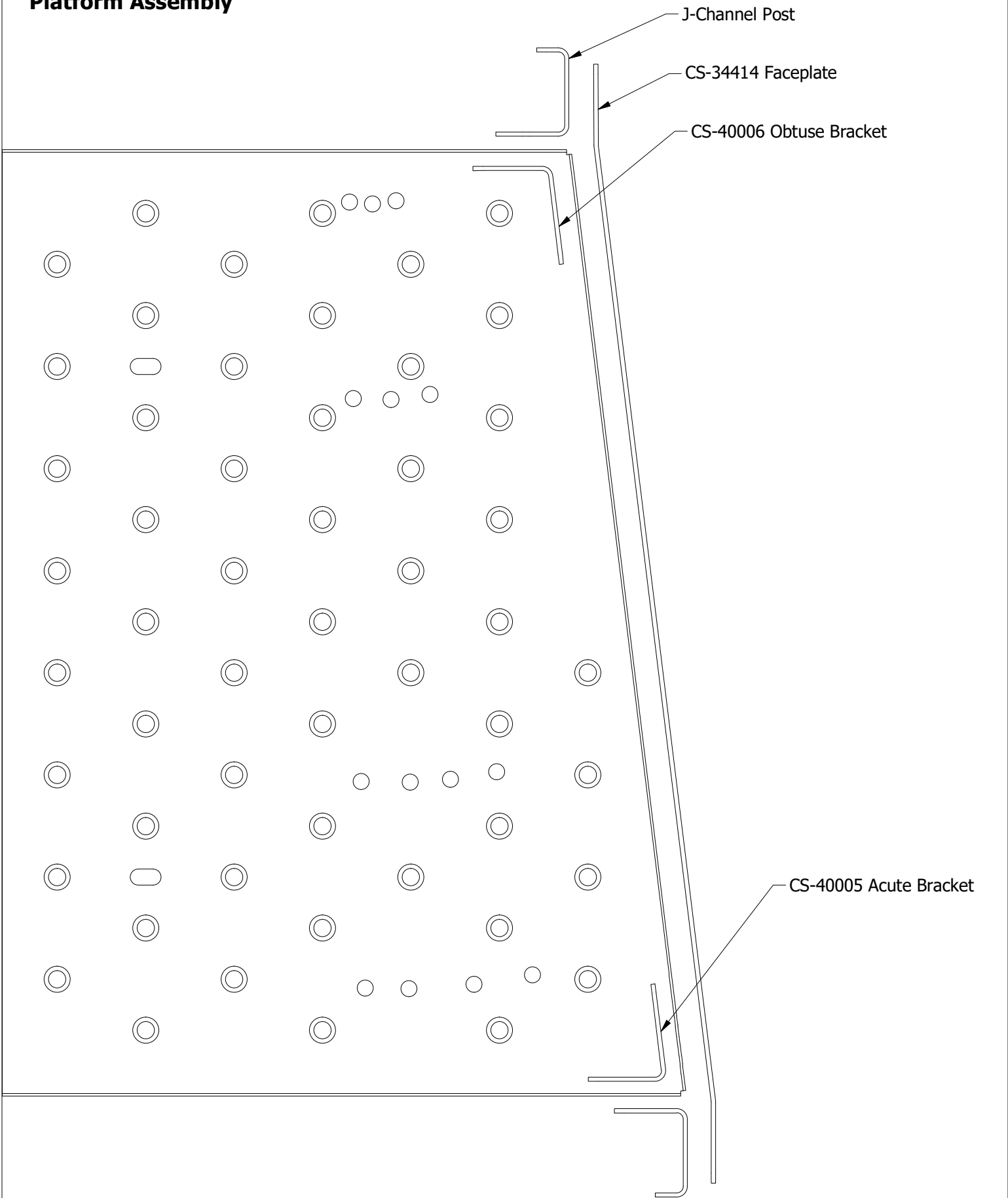
Roof Stair Platform

The CF3539L package includes inside handrail componets (#13), which may be excluded from assembly for roof ladder access.

PARTS LIST			
ITEM	QTY	PART NUMBER	DESCRIPTION
1	1	CS-F30001	Tread, Platform, Trapezoid 55x24
2	2	CS-40005	Bracket, Brace, Angle, Acute
3	2	CS-40006	Bracket, Brace, Angle, Obtuse
4	2	CS-34414	Bracket, Faceplate
5	1	CS-34406	Channel, Kickboard, Outside Long
6	2	CS-30010	Bracket, Plate, Handrail
7	1	CS-3009	Bracket, Support, Platform
8	2	CS-34500	Angle, Post, J-channel, Right
9	2	CS-34501	Angle, Post, J-channel, Left
10	2	CS-33901	Bracket, Wall, 39.37 Platform
11	2	CS-34402	Brace, Plate, Platform
12	2	CS-32002	Channel, K-Brace, C-Series
13	2	TRS1504800	48 Long 1.5 in tube railing slotted end tabs
14	2	TRS1502800	28 Long 1.5 in tube railing slotted end tabs
15	2	TRS1505400	54" long 1.5 in tube railing slotted end tabs
16	1	CS-39410	Lower Stringer Extension 39
17	1	CS-39411	Siderail Extension, 39"
18	1	CS-34407	Channel, Kickboard, Inside, Long
19	1	CS-34408	Channel, Kickboard, End

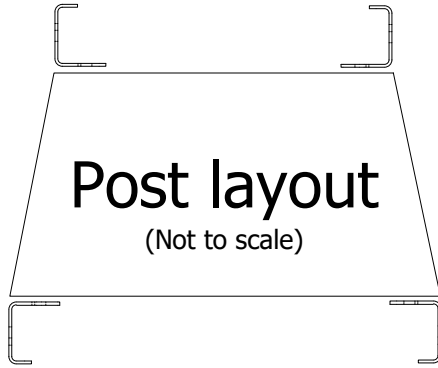


C-Series Farm Platform Assembly

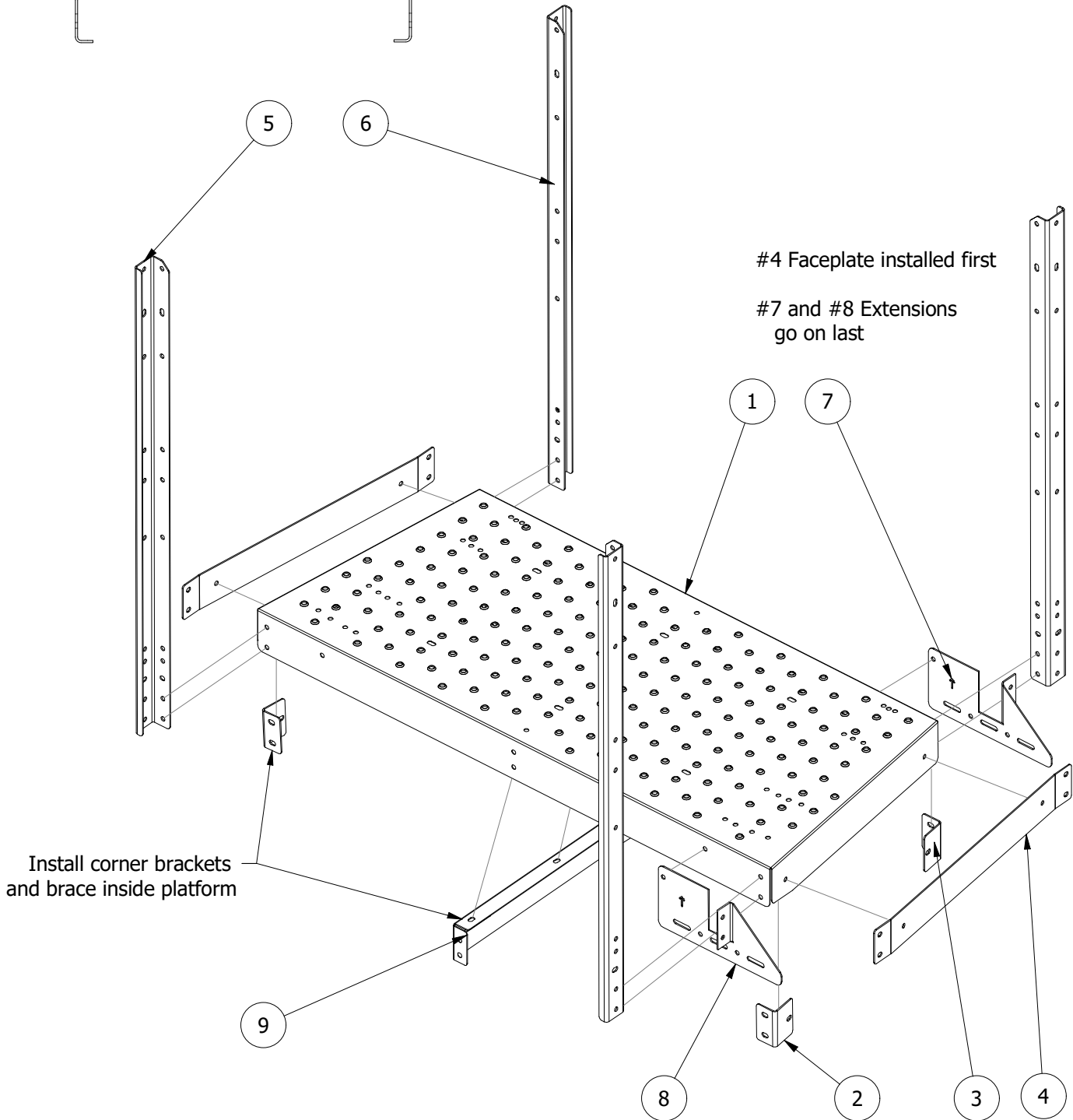


C-Series Farm Platform Assembly

Posts & Brackets

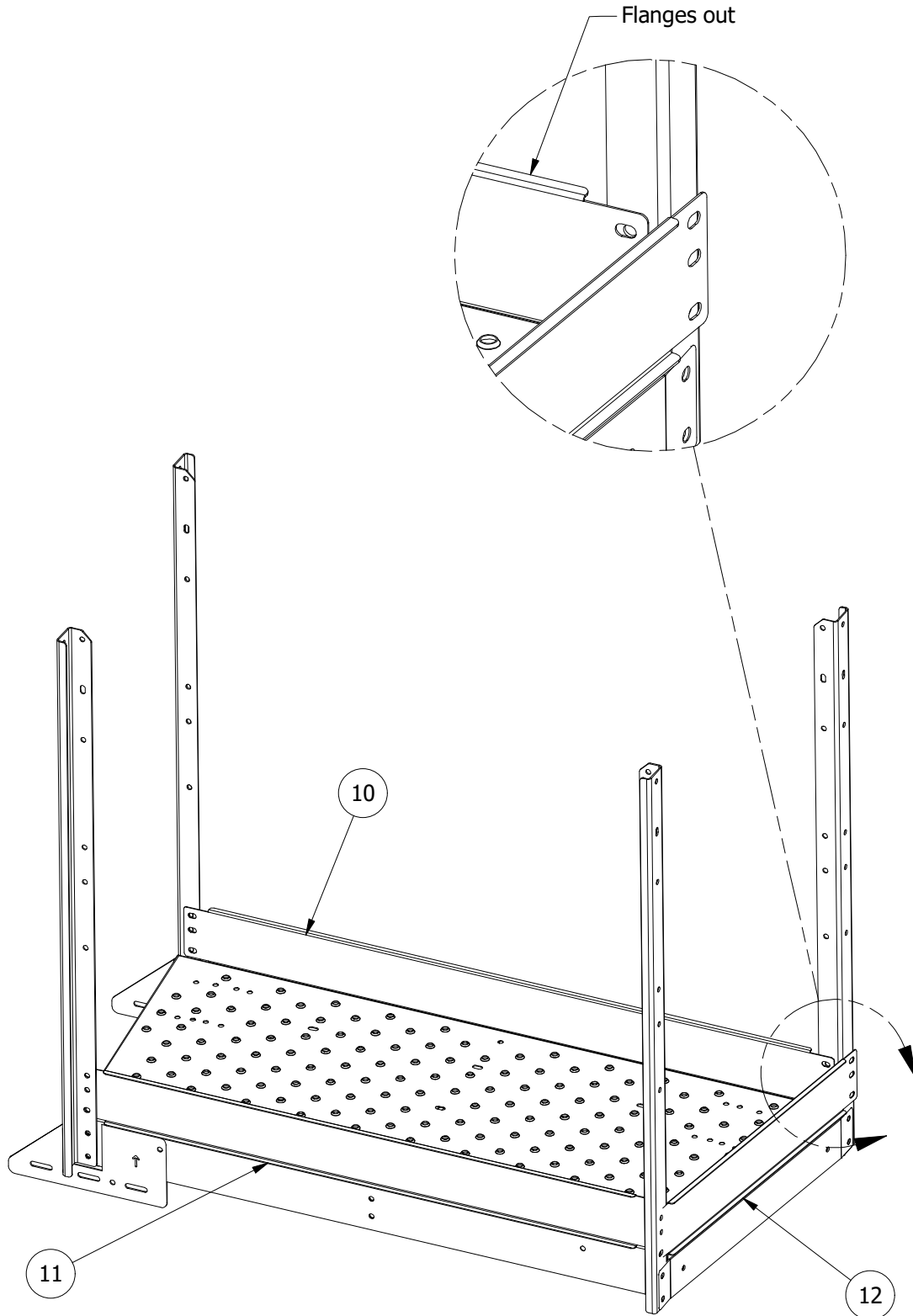


PARTS LIST			
ITEM	QTY	PART NUMBER	DESCRIPTION
1	1	CS-F30001	Tread, Platform, Trapezoid 55x24
2	2	CS-40005	Bracket, Brace, Angle, Acute
3	2	CS-40006	Bracket, Brace, Angle, Obtuse
4	2	CS-34414	Bracket, Faceplate
5	2	CS-34500	Angle, Post, J-channel, Right
6	2	CS-34501	Angle, Post, J-channel, Left
7	1	CS-39410	Lower Stringer Extension, Right
8	1	CS-39411	Lower Stringer Extension, Left
9	1	CS-3009	Bracket, Support, Platform



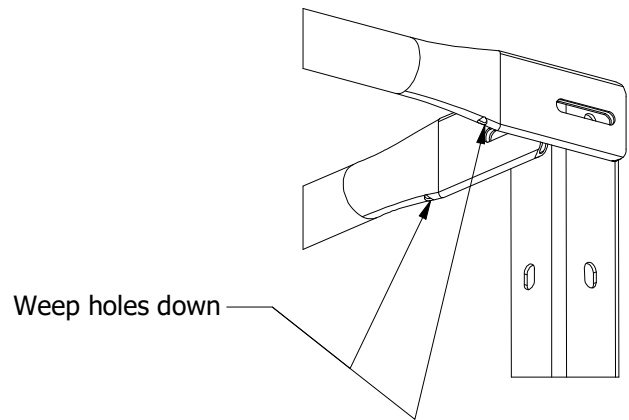
**C-Series Farm
Platform Assembly
Kickboards**

PARTS LIST			
ITEM	QTY	PART NUMBER	DESCRIPTION
10	1	CS-34406	Channel, Kickboard, Outside Long
11	1	CS-34407	Channel, Kickboard, Inside, Long
12	1	CS-34408	Channel, Kickboard, End

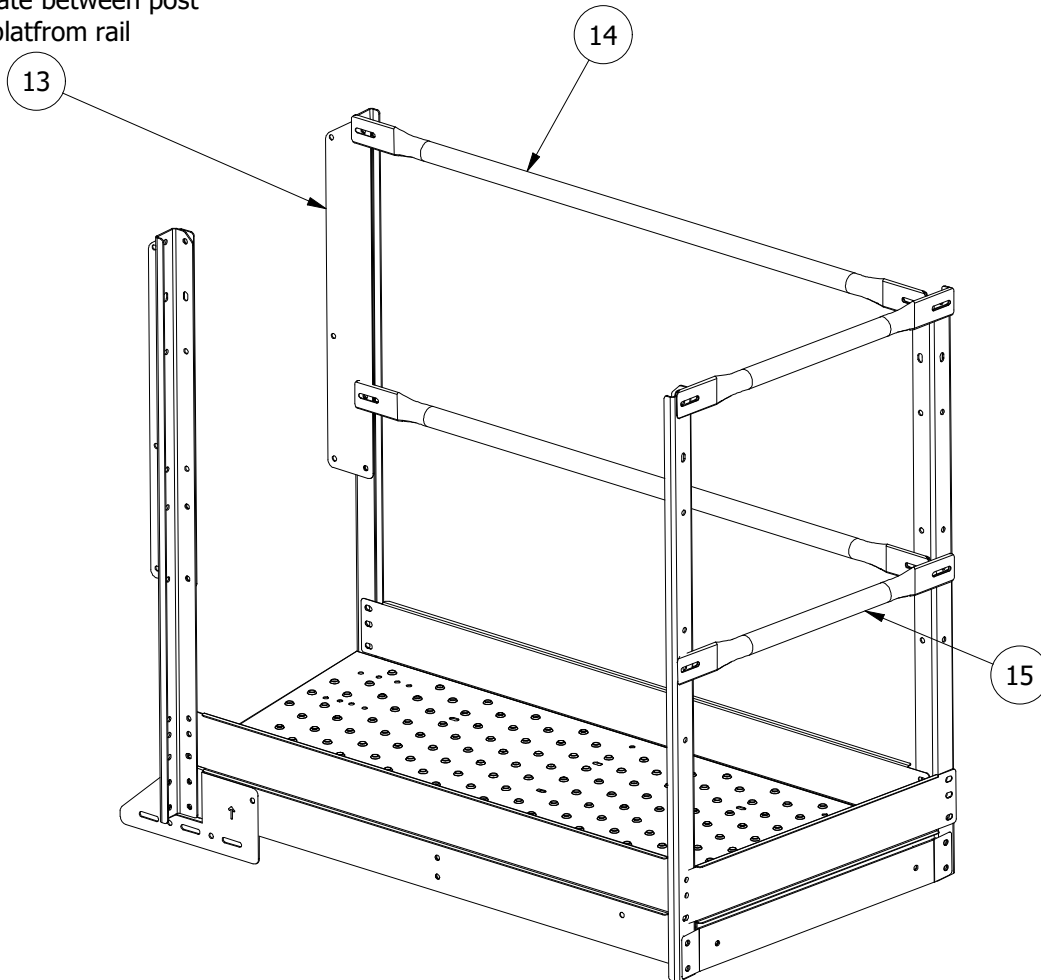


**C-Series Farm
Platform Assembly
Railing**

PARTS LIST			
ITEM	QTY	PART NUMBER	DESCRIPTION
13	2	CS-30010	Bracket, Plate, Handrail
14	2	TRS1505400	54" long 1.5 in tube railing slotted end tabs
15	2	TRS1502800	28" Long 1.5 in tube railing slotted end tabs



Handrail plate between post and platform rail

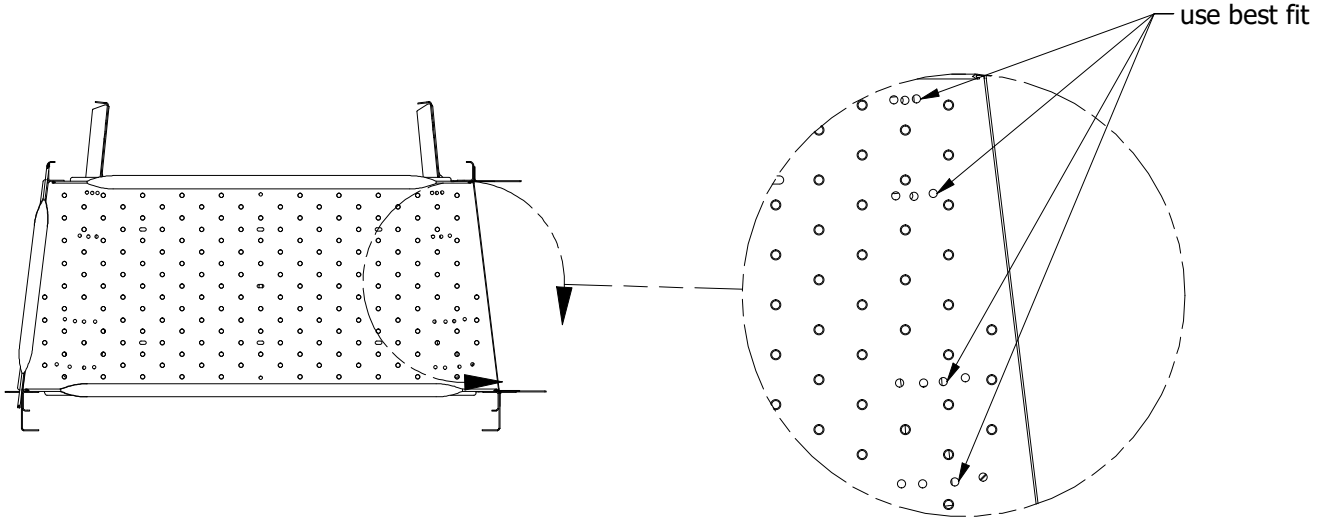


C-Series Farm Platform Assembly

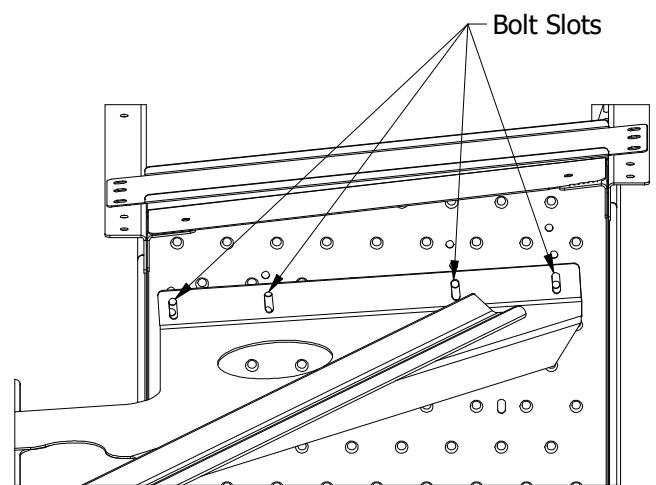
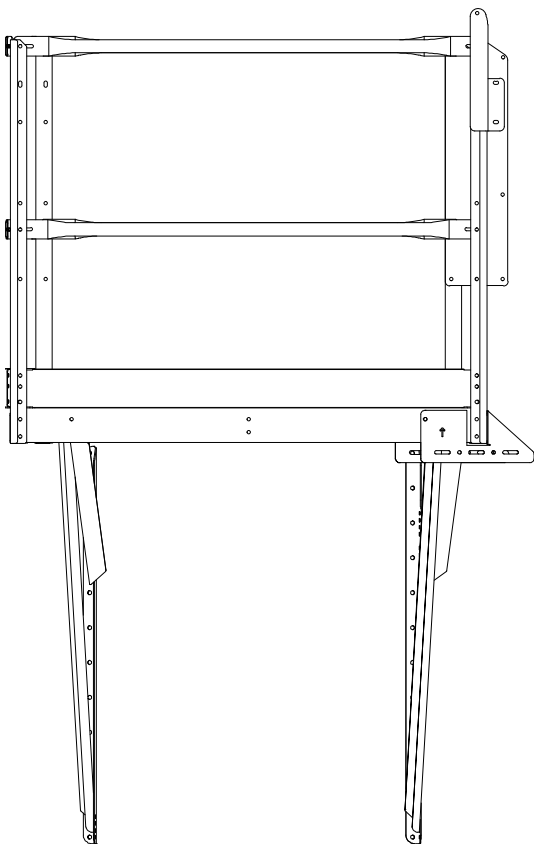
Center the platform assembly on top of the A-frame wall mounts.

Use 4 bolts to attach each wall mount plate to the platform.

Use the bolt holes in the platform that best align with the A-frame mounts, this will vary according to the bin diameter.

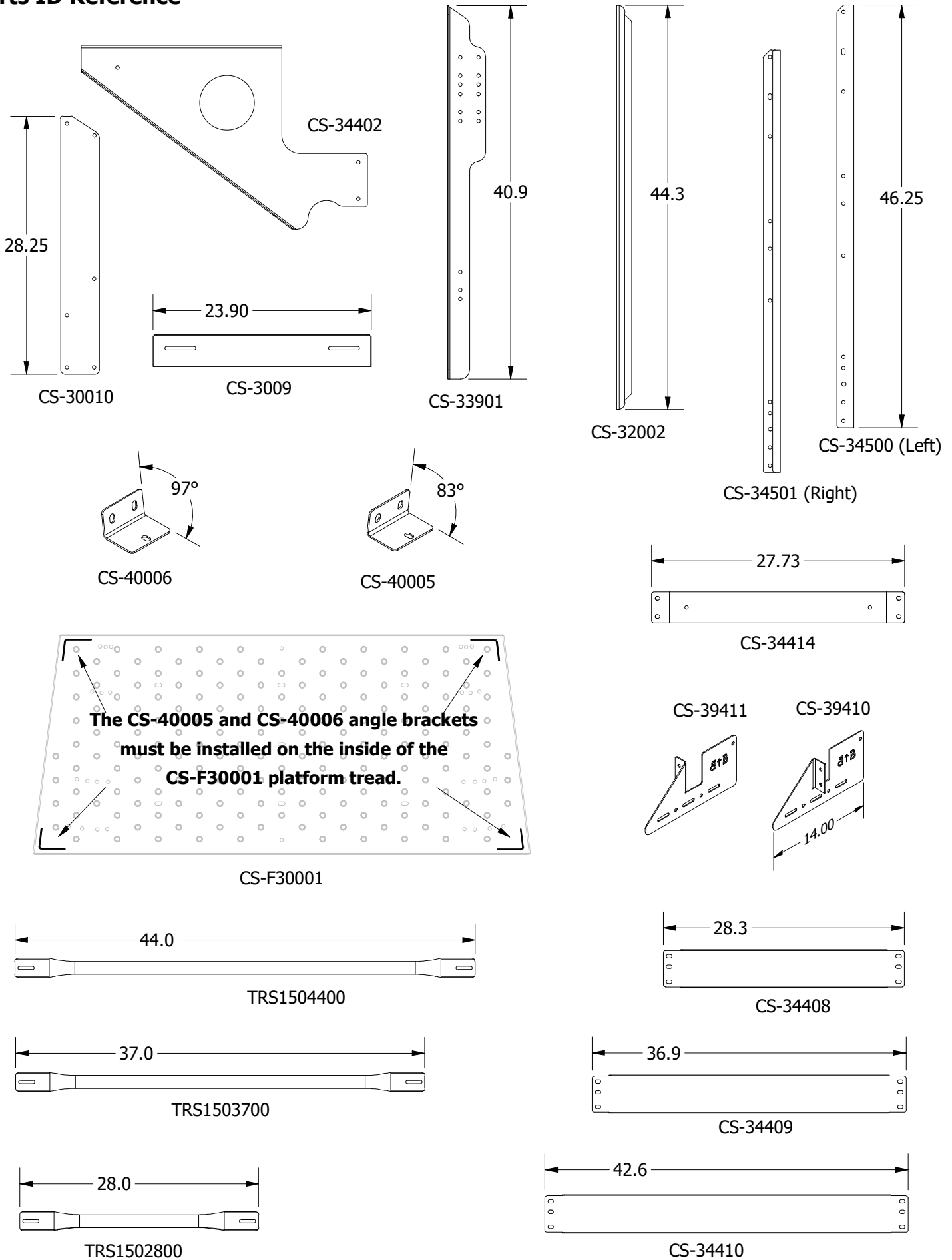


Bolt detail



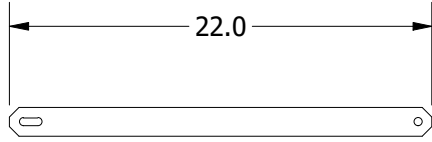
**Underside View of
Platform Attachment**

CF3539L Long Platform Parts ID Reference

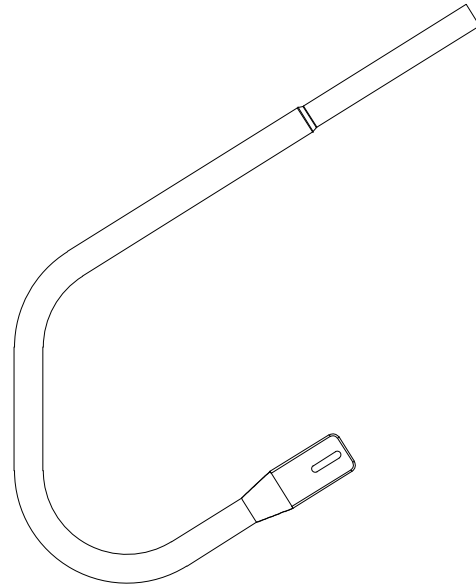


CF3539L Top Platform Package

Additional Stair Components

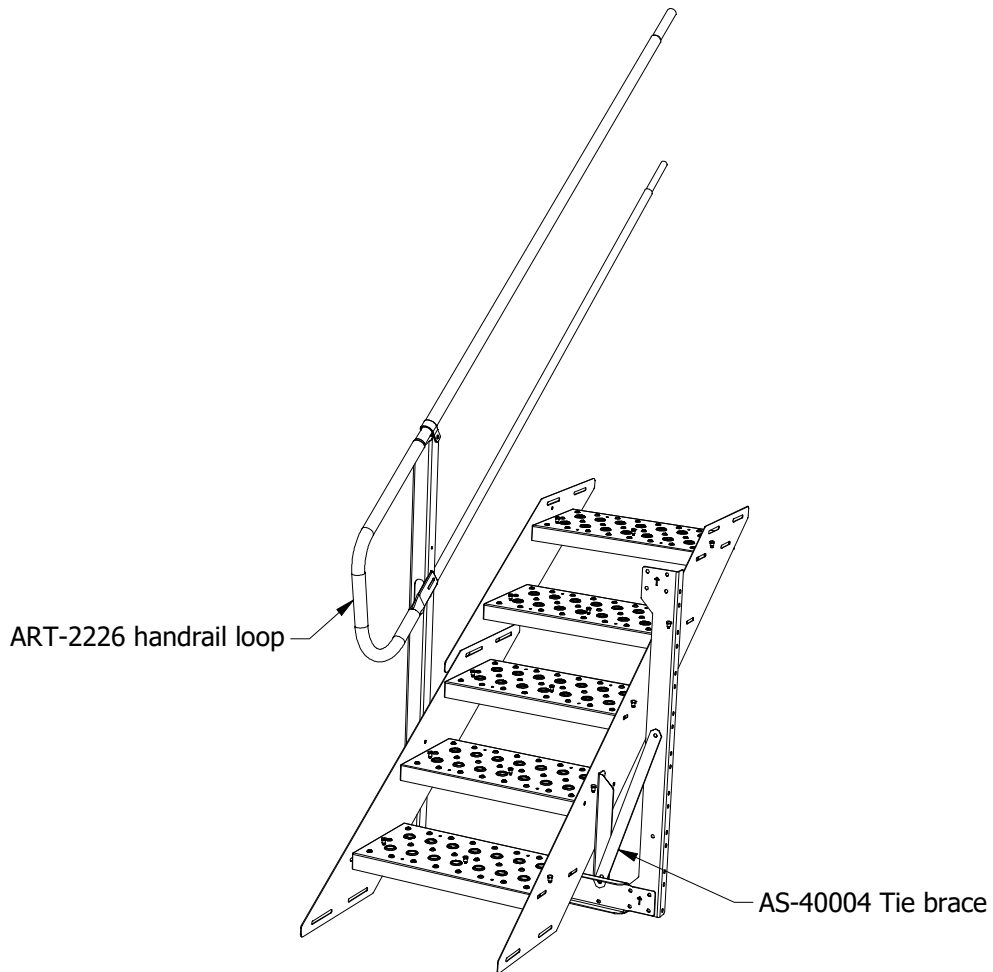


AS-40004



ART-2226

These parts are included in the top platform package for use in the bottom stair section, see pages 25 & 26

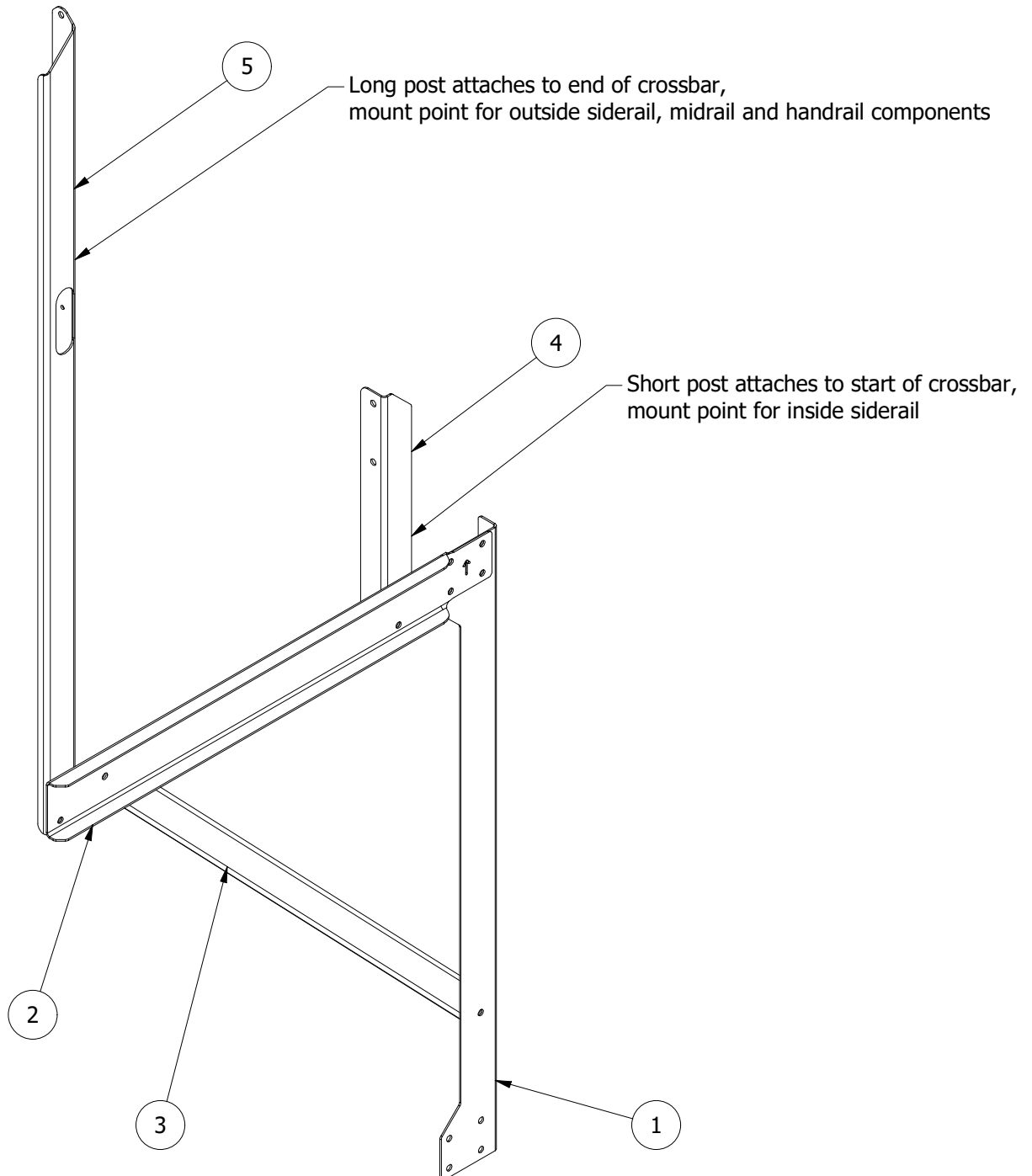


ART-2226 handrail loop

AS-40004 Tie brace

Attaching the Posts to the A-Frame

PARTS LIST			
ITEM	QTY	PART NUMBER	DESCRIPTION
1	1	CS-39001	Bracket, Wall, 39.37" Stair
2	1	CS-40002	Channel, Crossbar
3	1	CS-32002	Channel, K-Brace, C-Series
4	1	CS-F40001	Post, Stair, Inside
5	1	CS-F40011	Post, Stair Rail, Outside

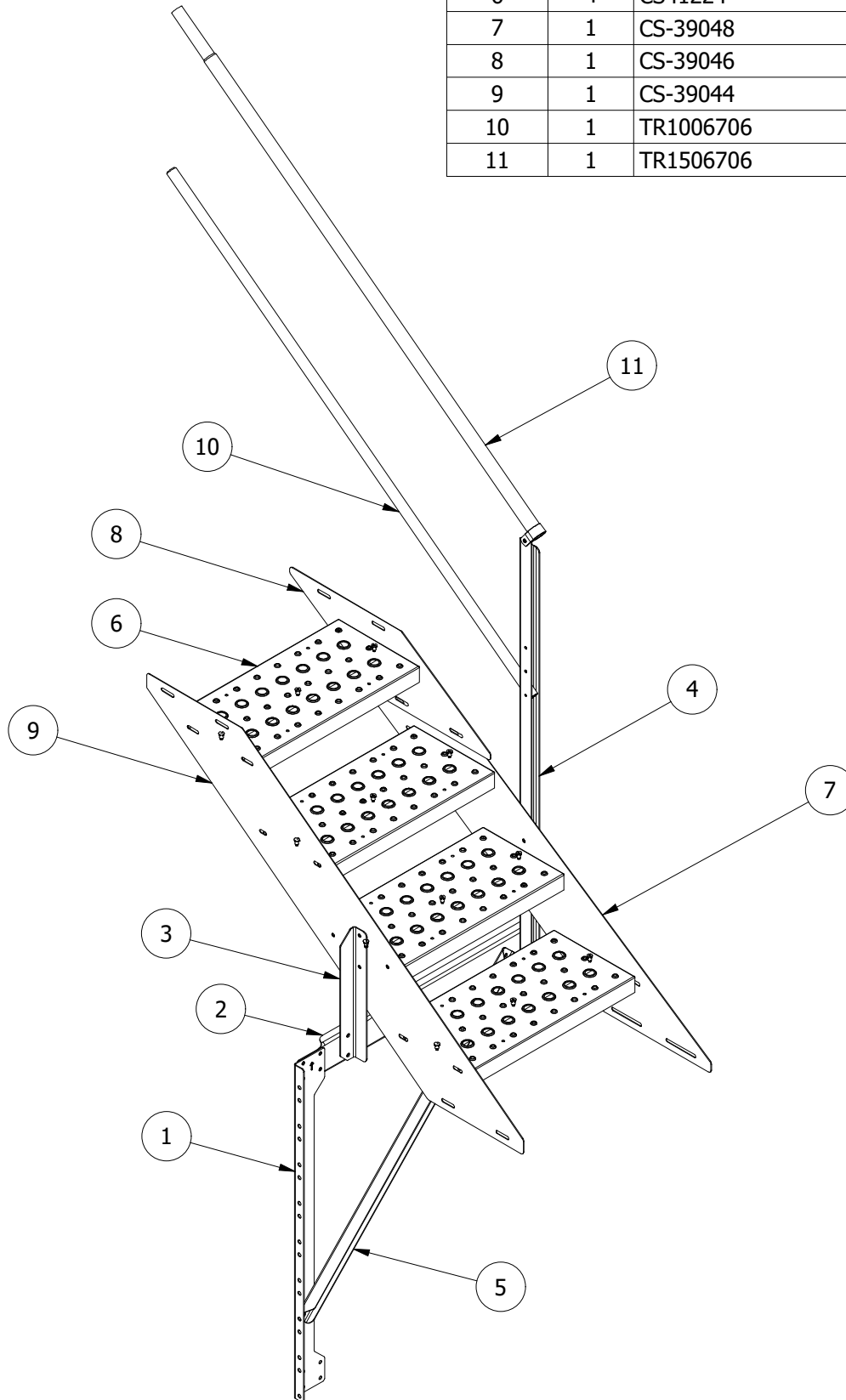


CF3904 4-Step Stair Section

This 4-step section is used below the top platform

PARTS LIST

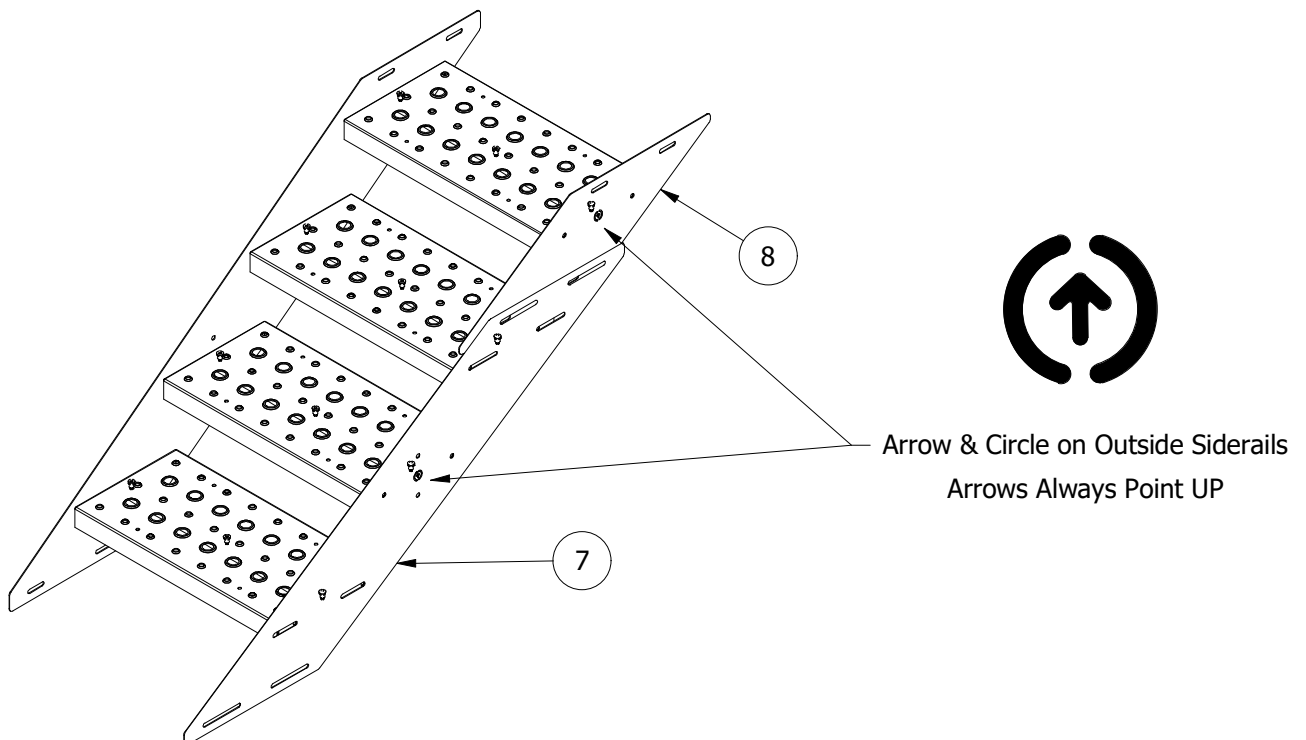
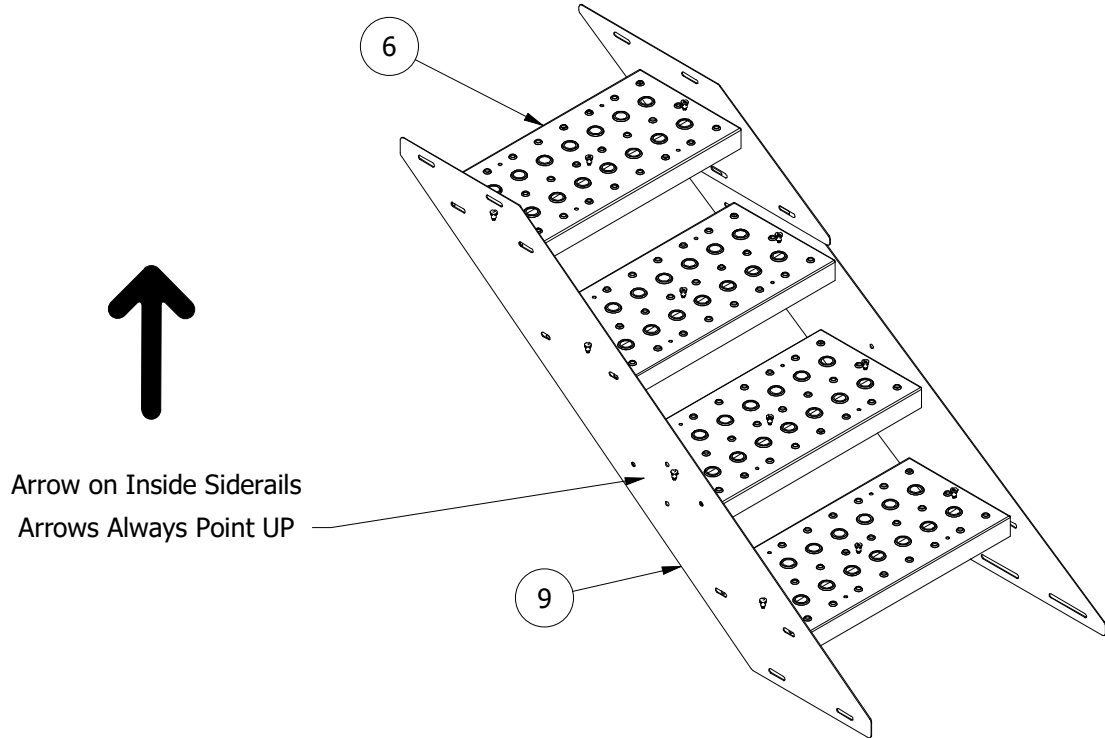
ITEM	QTY	PART NUMBER	DESCRIPTION
1	1	CS-39001	Bracket, Wall, 39.37" Stair
2	1	CS-40002	Channel, Crossbar
3	1	CS-F40001	Post, Stair, Inside
4	1	CS-F40011	Post, Stair Rail, Outside
5	1	CS-32002	Channel, K-Brace, C-Series
6	4	CS41224	Tread 24x12
7	1	CS-39048	39 Stringer, Outside, 3 Step
8	1	CS-39046	39 Stringer, Outside, 1 Step
9	1	CS-39044	39 Stringer, Inside, 4 Step
10	1	TR1006706	67 in 1 in dia tubing 6 in Swage
11	1	TR1506706	67 in x1.5 in Railing 6 in Swage



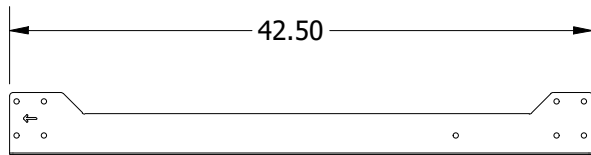
CF3904
4-step

On the CF3904 stair section,
the inside siderail is a one piece 4-step,
the outside siderail is a two piece, 3-step and 1-step.

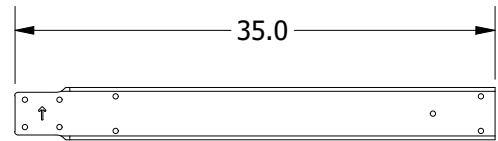
PARTS LIST			
ITEM	QTY	PART NUMBER	DESCRIPTION
6	4	CS41224	Tread 24x12
7	1	CS-39048	39 Stringer, Outside, 3 Step
8	1	CS-39046	39 Stringer, Outside, 1 Step
9	1	CS-39044	39 Stringer, Inside, 4 Step



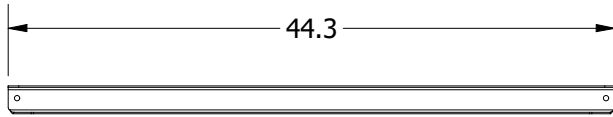
CF3904 Parts ID



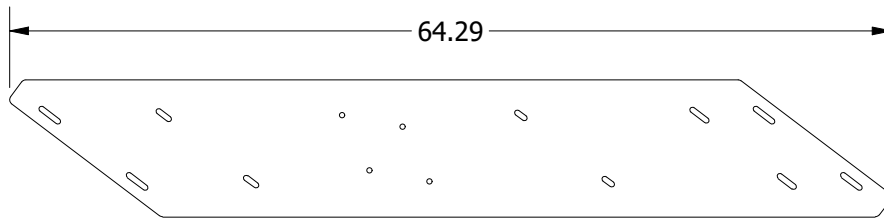
CS-39001



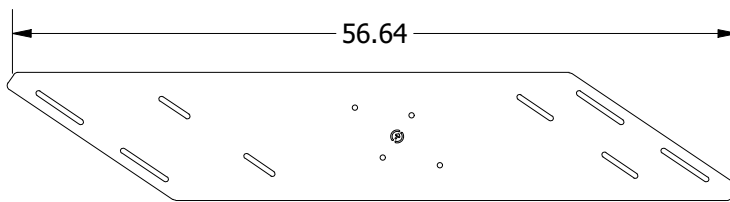
CS-40002



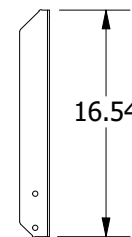
CS-32002



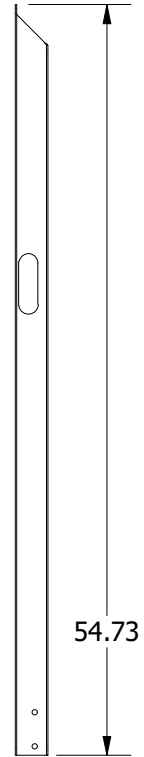
CS-39044



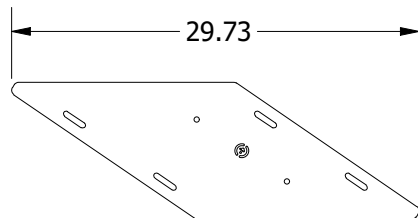
CS-39048



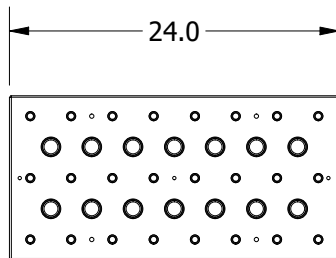
CS-F40001



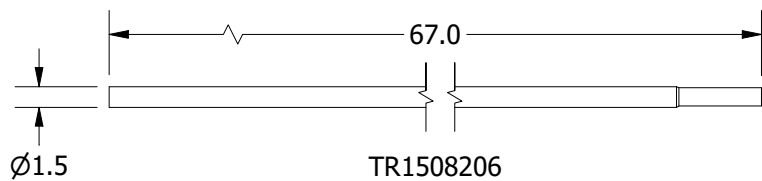
CS-F40011



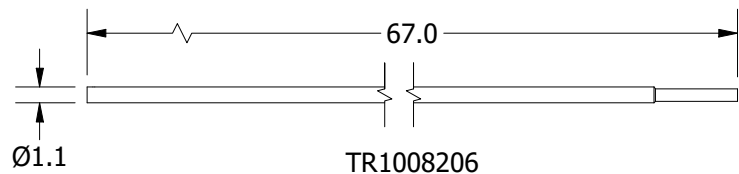
CS-39046



CS41224



TR1508206



TR1008206

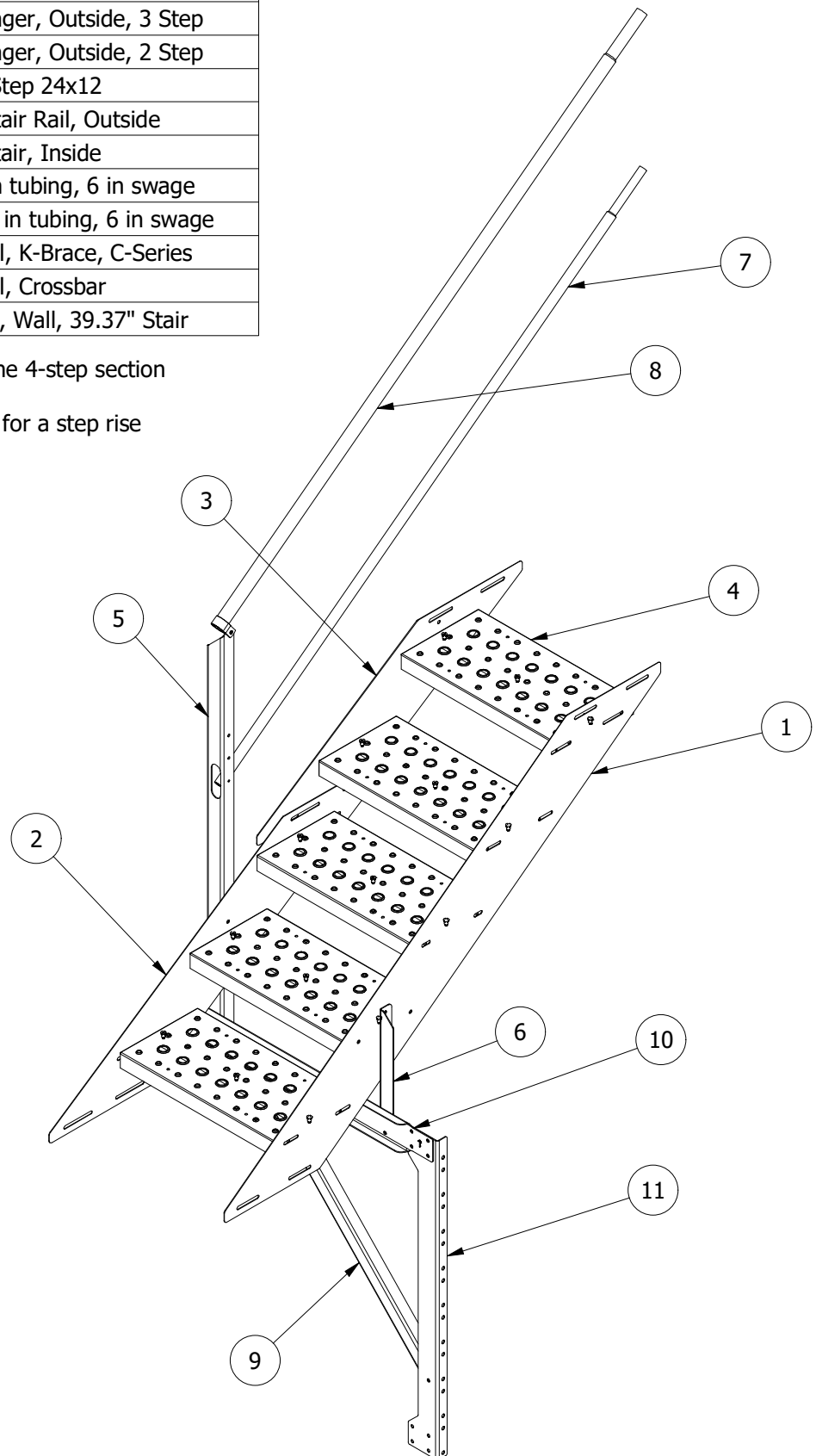
CF3900

5-step Stair Section

PARTS LIST			
ITEM	QTY	PART NUMBER	DESCRIPTION
1	1	CS-39045	39 Stringer, Inside, 5 Step
2	1	CS-39048	39 Stringer, Outside, 3 Step
3	1	CS-39047	39 Stringer, Outside, 2 Step
4	5	CS-41224	Tread Step 24x12
5	1	CS-F40011	Post, Stair Rail, Outside
6	1	CS-F40001	Post, Stair, Inside
7	1	TR1008206	82" 1 in tubing, 6 in swage
8	1	TR1508206	82" 1.5 in tubing, 6 in swage
9	1	CS-32002	Channel, K-Brace, C-Series
10	1	CS-40002	Channel, Crossbar
11	1	CS-39001	Bracket, Wall, 39.37" Stair

This is the standard section used after the 4-step section

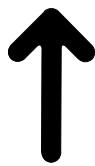
It has 5 steps over a total rise of 39.37" for a step rise of 7.874"



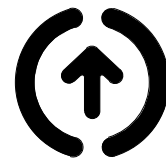
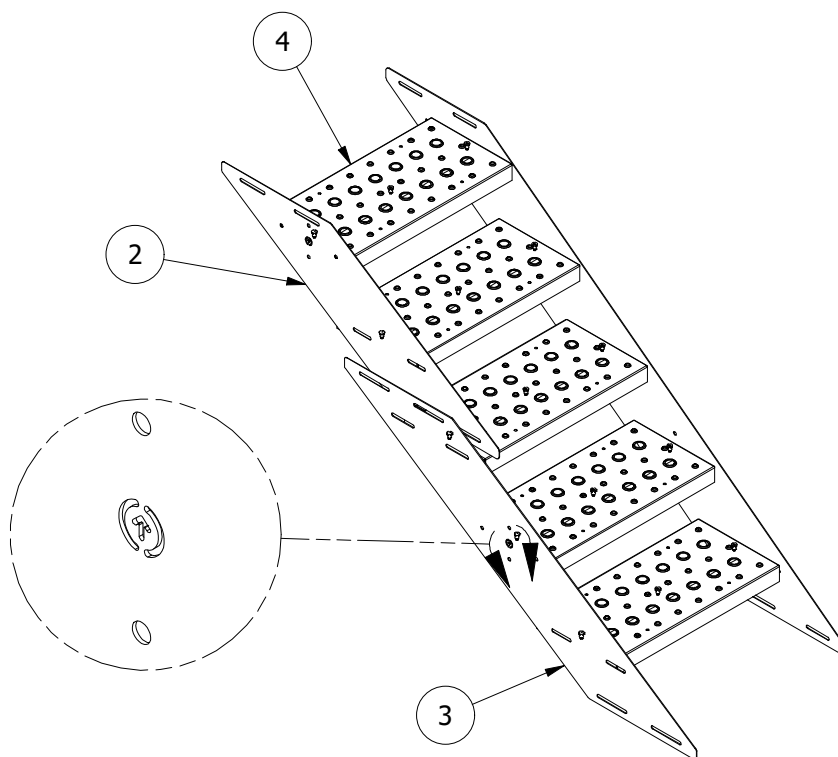
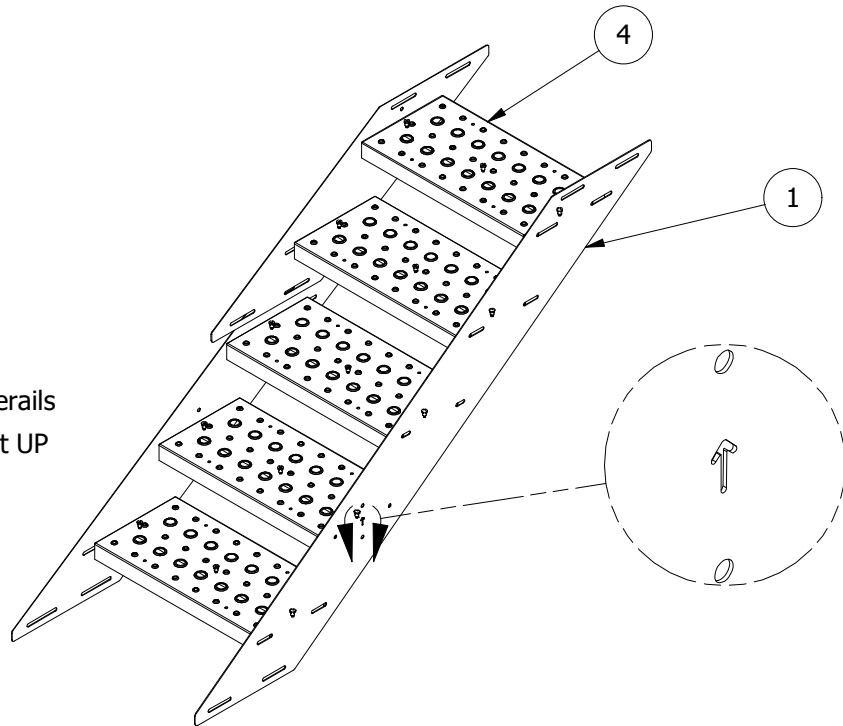
CF3900 C-Series Farm 39" 5 Step Stair Section

On the CF3900 stair section,
the inside siderail is a one piece 5-step,
the outside siderail is a two piece, 3-step and 2-step.

PARTS LIST			
ITEM	QTY	PART NUMBER	DESCRIPTION
1	1	CS-39045	39 Stringer, Inside, 5 Step
2	1	CS-39047	39 Stringer, Outside, 2 Step
3	1	CS-39048	39 Stringer, Outside, 3 Step
4	5	CS-41224	Tread Step 24x12



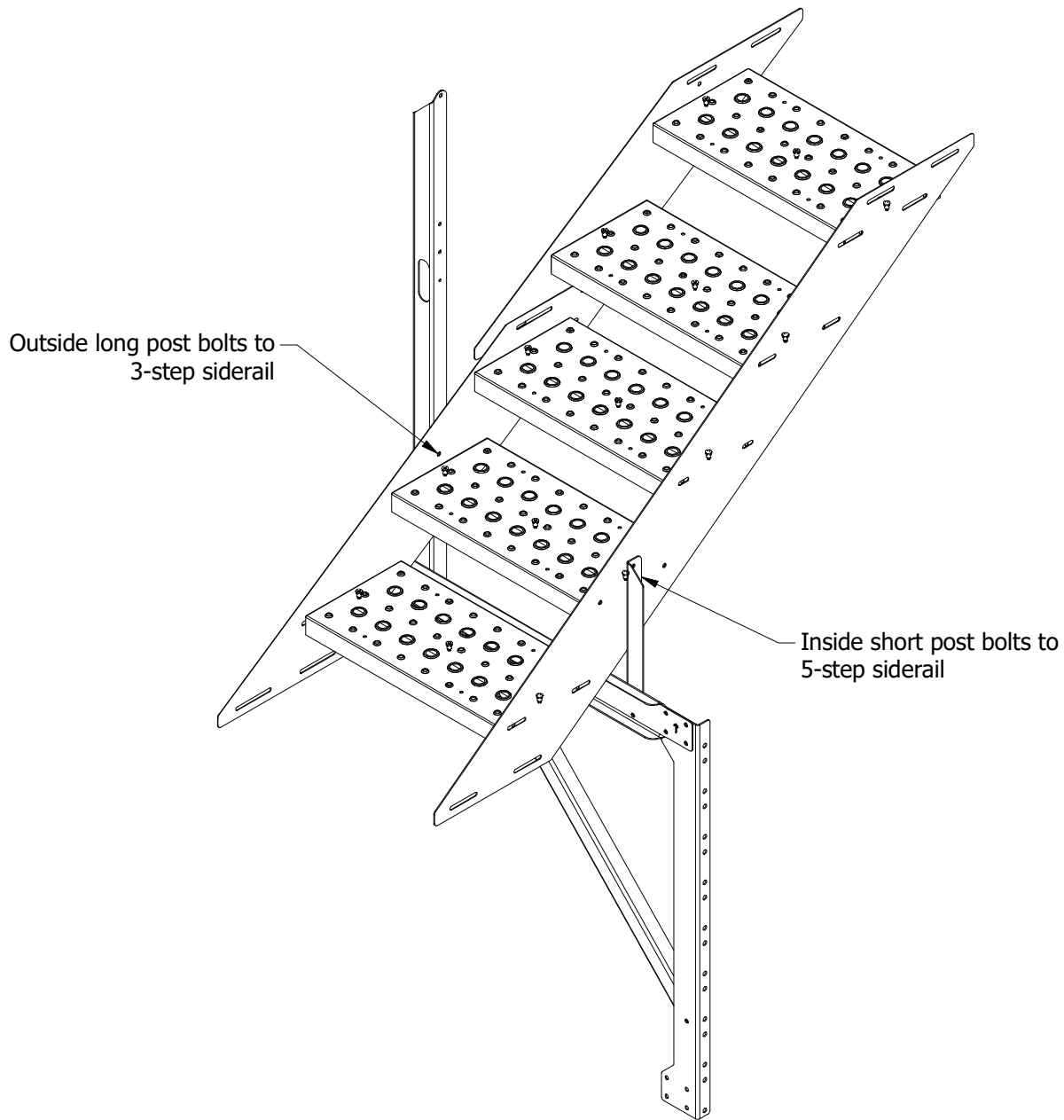
Arrow on Inside Siderails
Arrows Always Point UP



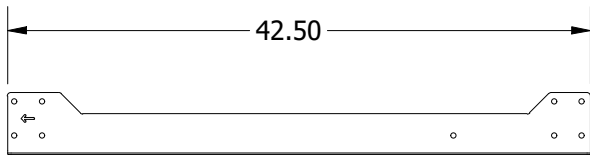
Arrow & Circle on Outside Siderails
Arrows Always Point UP

Attaching the Stair Section to the A-Frame Assembly

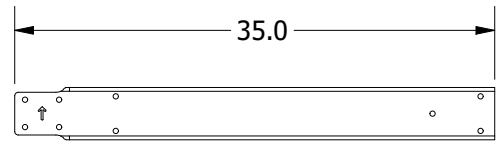
Attach the inside and outside posts to the siderails at the 2nd step from the bottom. Bolt in the holes above and below the step.



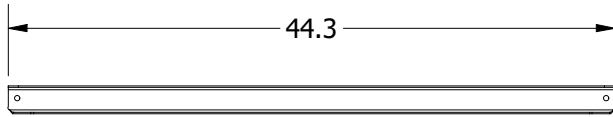
CF3900 Parts ID



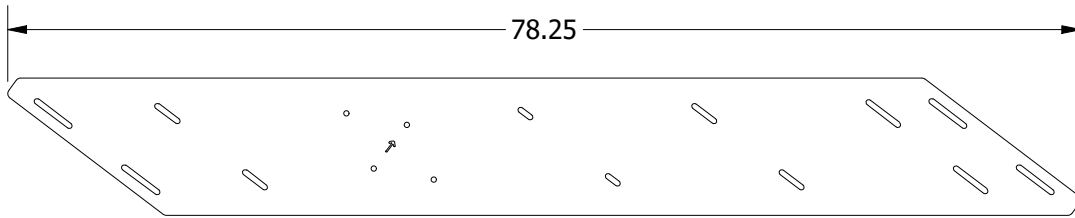
CS-39001



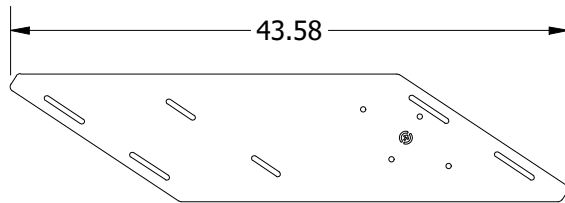
CS-40002



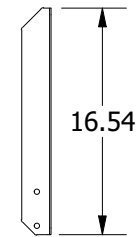
CS-32002



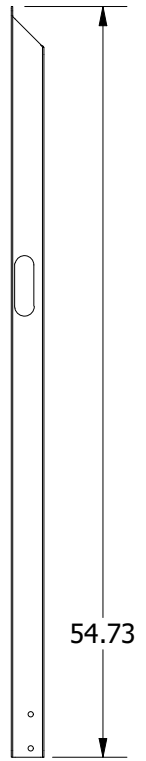
CS-39045



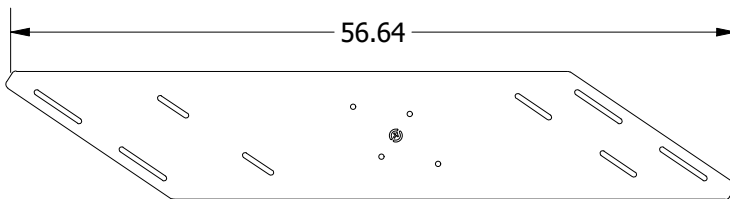
CS-39047



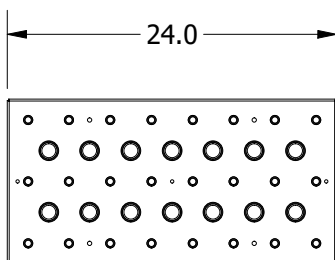
CS-F40001



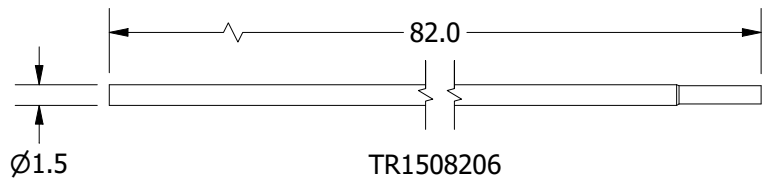
CS-F40011



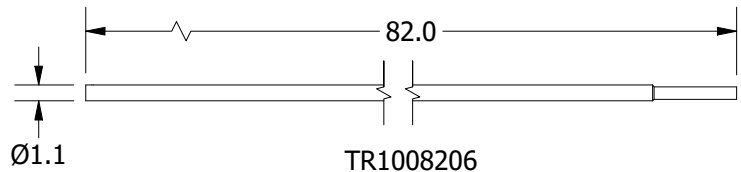
CS-39048



CS41224



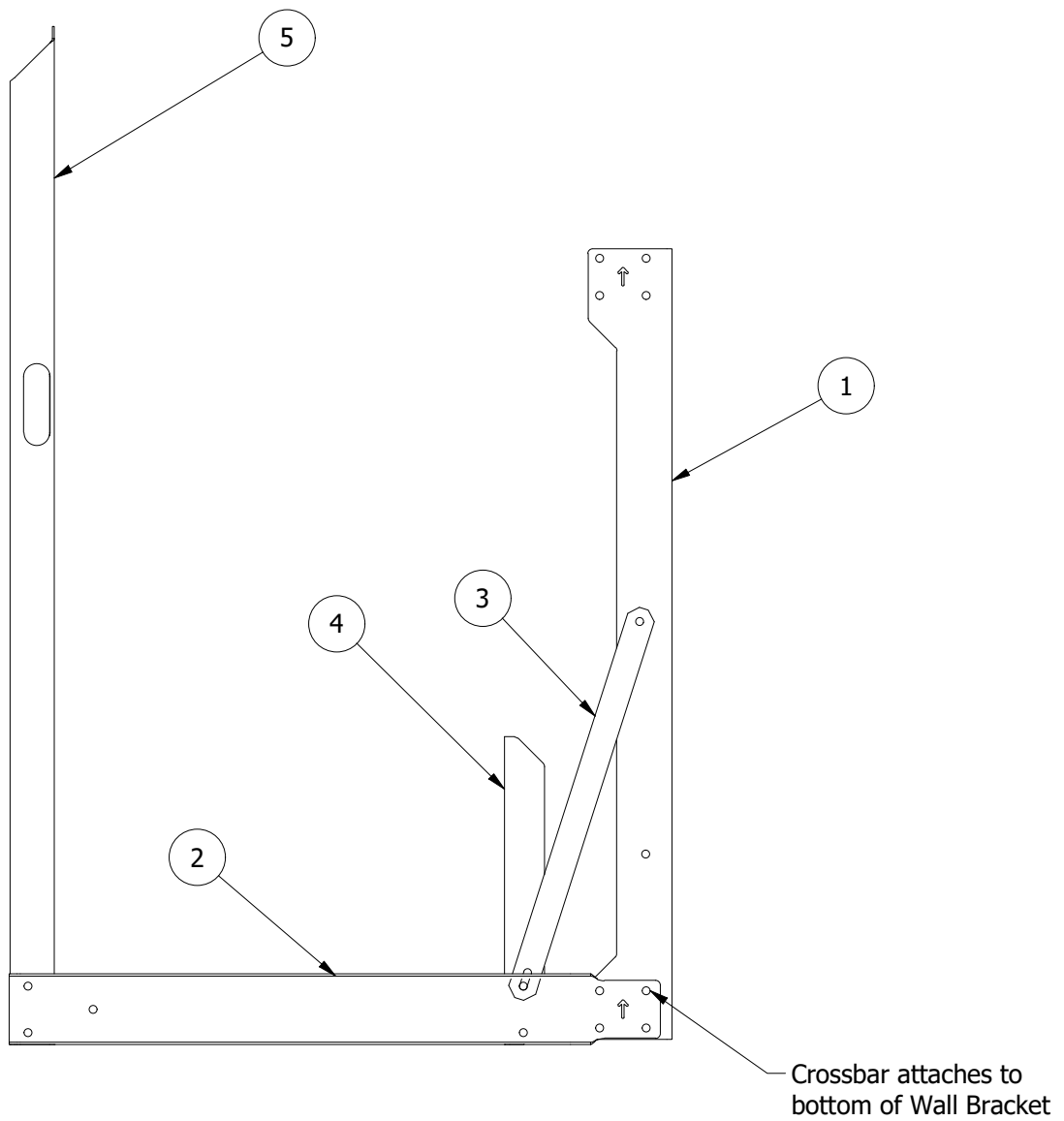
TR1508206



TR1008206

**Bottom Section
A-frame & Posts**

PARTS LIST			
ITEM	QTY	PART NUMBER	DESCRIPTION
1	2	CS-39001	Bracket, Wall, 39.37" Stair
2	1	CS-40002	Channel, Crossbar
3	1	AS-40004	Bracket, Tie Brace
4	1	CS-F40001	Post, Stair, Inside
5	1	CS-F40011	Post, Stair Rail, Outside



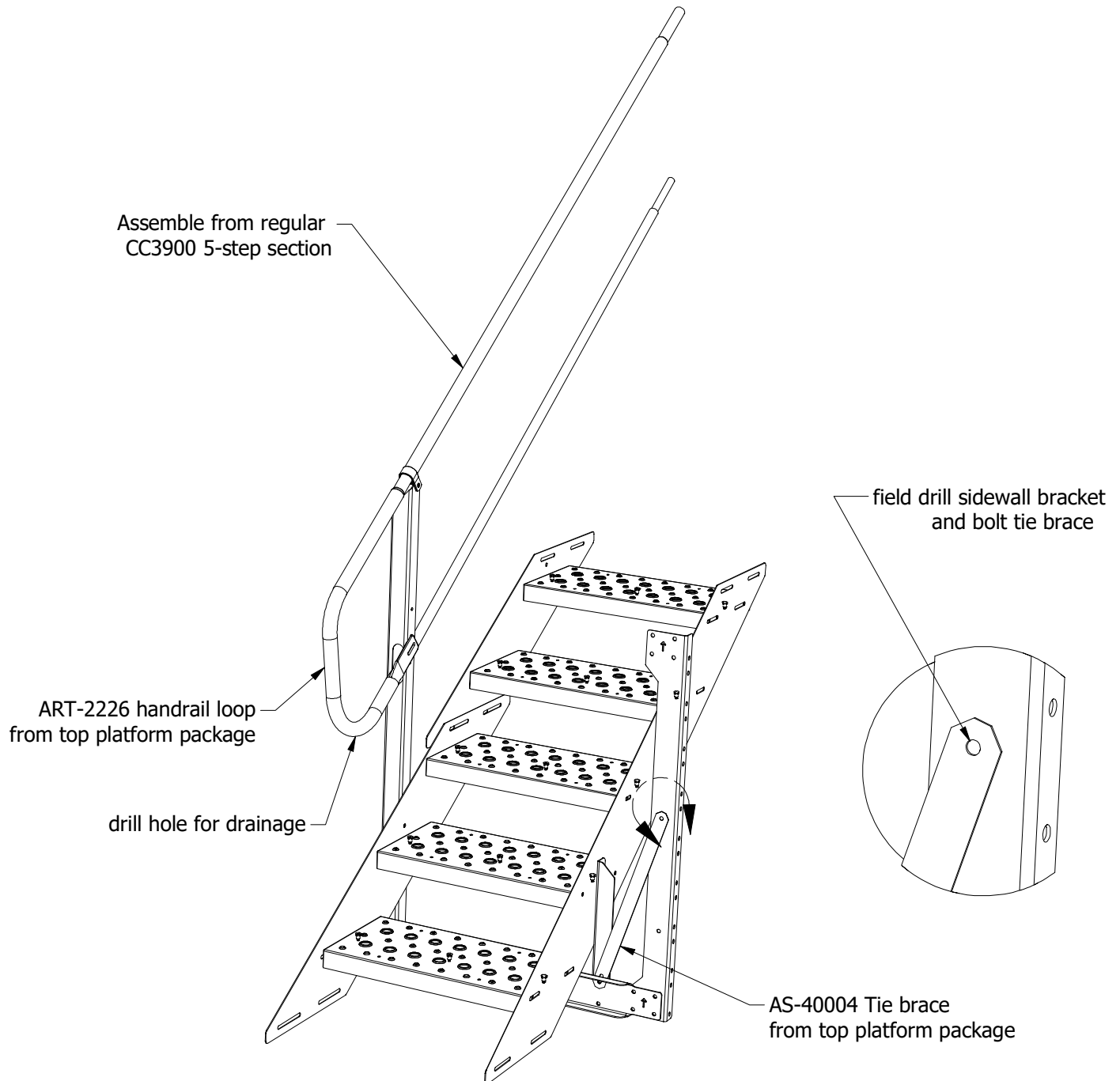
Bottom Stair Section Assembly

The AS-40004 tie brace and ART-2226 bottom end rail are included in the top platform package.

Attach the tie brace to the inside post. Field drill and bolt to the wall bracket as shown.

Install the bottom handrail loop at the last outside post. Attach the flattened end to the stair post as shown.

Drill a hole at the lowest point for drainage.



Installing Handrails

It is recommended to use a Tube Roller Former as shown in the picture; form inside rails to match bin sheet curvature, form outside rails with slightly less bend.

Alternatively, use an assembled stair section to brace one end of each tube and bend rails by hand

The swaged ends of the rails should point up the stairs.

Example: Commercial Sidewall Stairs

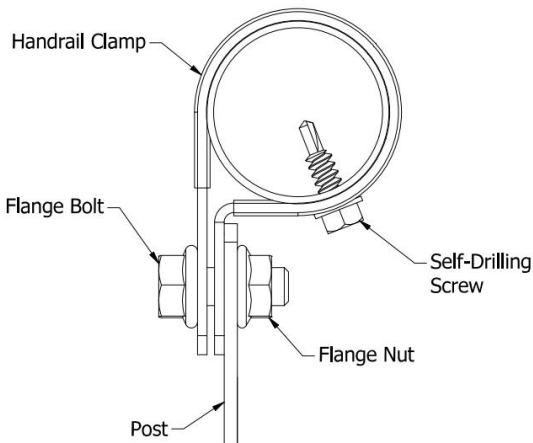


1" diameter gaurdrail,
(not used on farm duty)


1.5" diameter handrail,
farm duty: outside only

1" diameter midrail,
farm duty: outside only

Outside of Stairs or Walkway →



Detail of Handrail Clamp Assembly

For more information and instructional videos on handrail installation and using a tube roller, go to our website at greenestairs.com and look for the  YouTube channel link.

