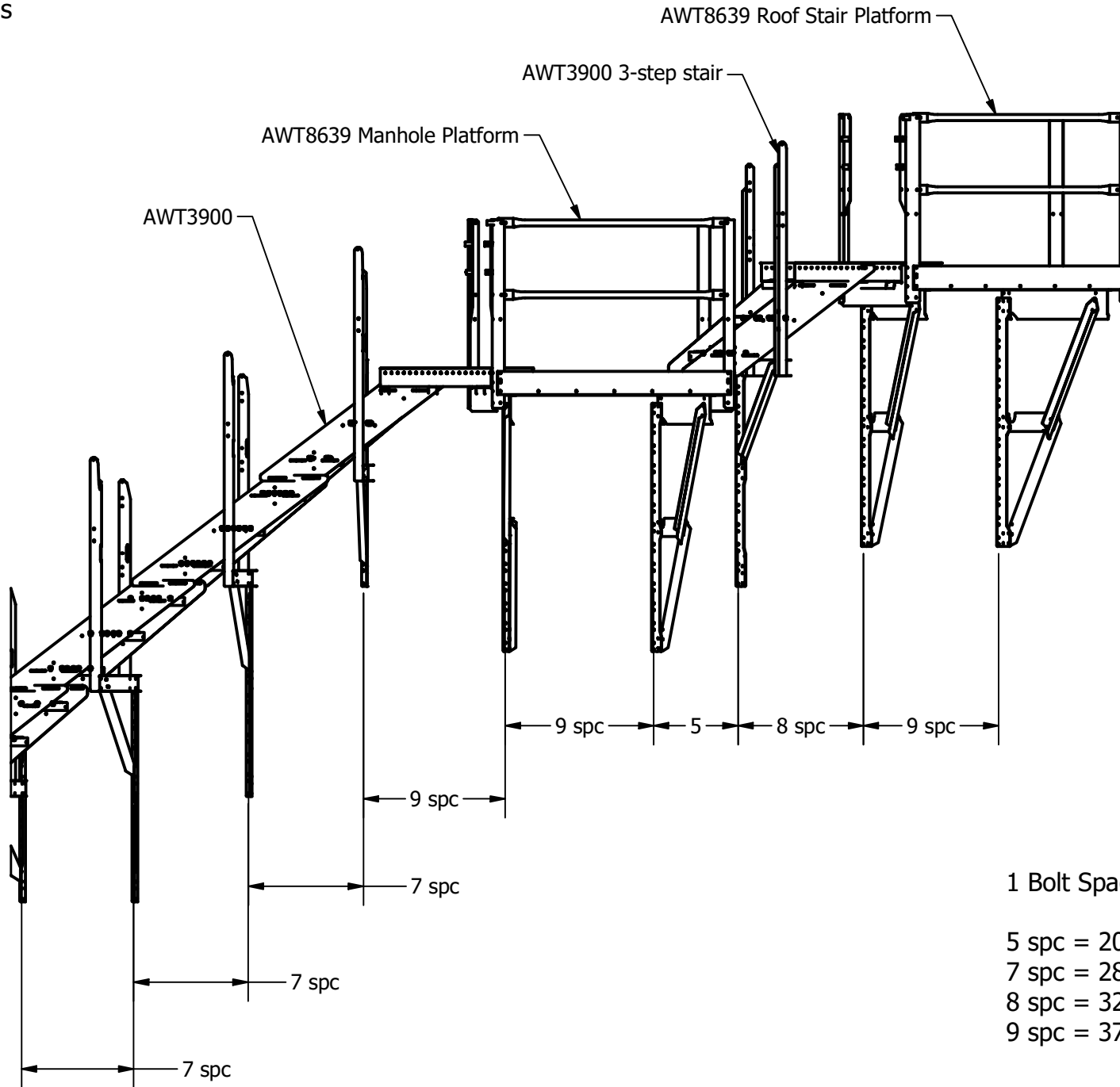


A-Series Layout Guide - 39" Bin Sheets

Top Platforms



1 Bolt Space (spc) = 4.12"

5 spc = 20.6"

7 spc = 28.84"

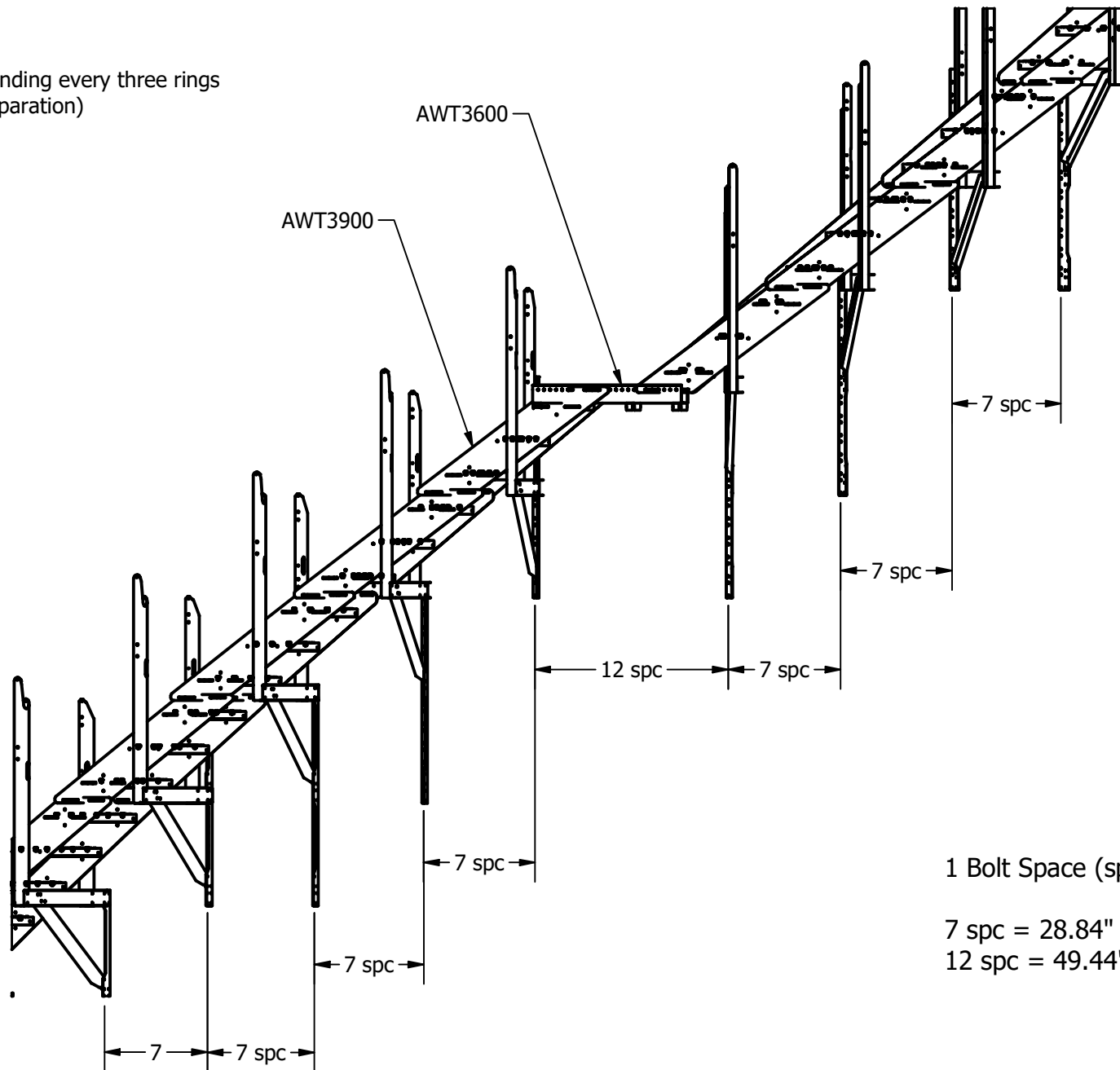
8 spc = 32.96"

9 spc = 37.08"

A-Series Layout Guide - 39" Bin Sheets

Rest Landings

Include an AWT3600 Rest Landing every three rings
(no more than 12' vertical separation)



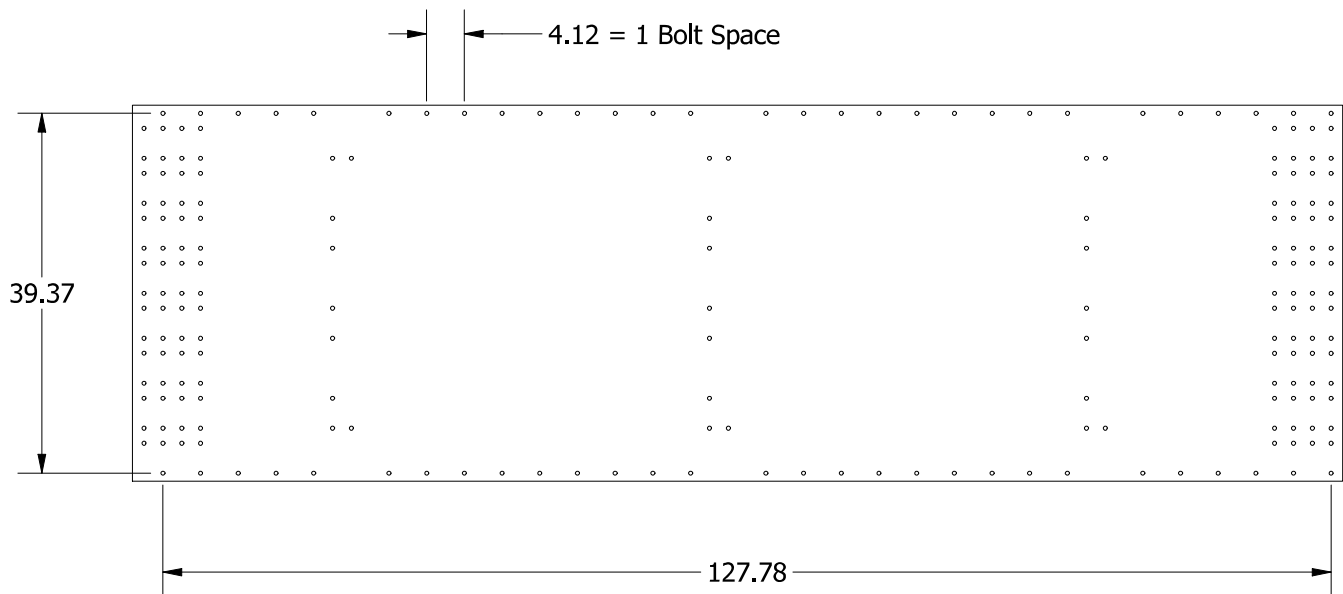
1 Bolt Space (spc) = 4.12"

7 spc = 28.84"

12 spc = 49.44"

39" Bin Sheet Bolt Spacing

- A "bolt space" as used in the instruction manual is the center to center distance between two bolt holes.
- The horizontal bolt spacing on a 39" bin sheet is 4 1/8".
- The actual chord length of the space will vary slightly from 4 1/8", depending on the bin diameter.

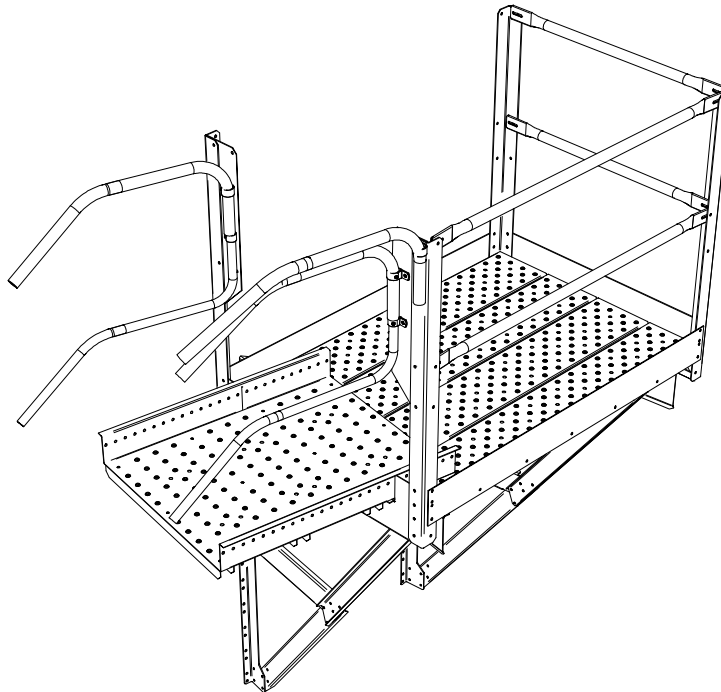


Bin Sheet Dimensions

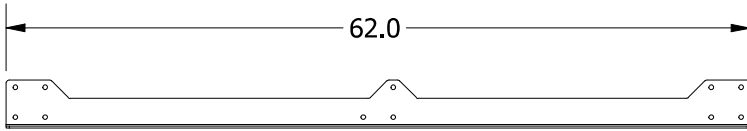
Parts List - AWT8539 Eave Platform

AWT8539, Eave Platform Parts List		
ITEM	DESCRIPTION	QTY
ART-2226	Bottom End Rail	2
AS-40004	Bracket, Tie Brace	1
AS-40009	1.5 Railing, Rest Landing Swivel Elbow	3
AS-40010	1.0 Railing, Rest Landing Swivel Elbow	2
AS-40011	1.5 Railing, End 90 deg	3
AS-40012	1.0 Railing, End 90 deg	2
AS-40014	Channel, Crossbar, Platform	2
AS-40015	Bracket, Tie Brace, Platform	2
AS-40016	Channel, Kneebrace, Platform	4
AS-40017	Plank, Tread, 10 x 60 x 14ga	4
AS-40018	Angle, Post	4
AS-40019	Plate, Kickboard, End	1
AS-40020	Plate, Kickboard, Entry	1
AS-40021	Plate, Kickboard, Side	2
AS-40031	Bracket, Handrail, Platform	2
AS-40036	Channel, Landing Support	4
AS-40398	Bracket, Wall, Platform, 39" Ring	2
AS-43930	Tread, Landing Skin Behlen	1
TRS1504000	40 in 1.50 Tubing Smashed Both Ends	2
TRS1505900	59 in 1.50 Tubing Smashed Both Ends	4

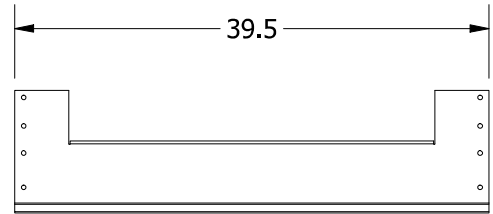
See the Following Pages for Parts Identification and Diagrams



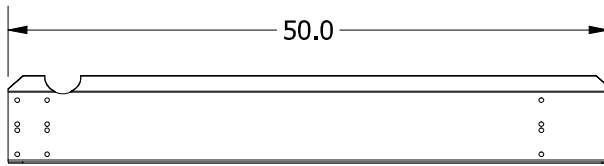
Parts Identification



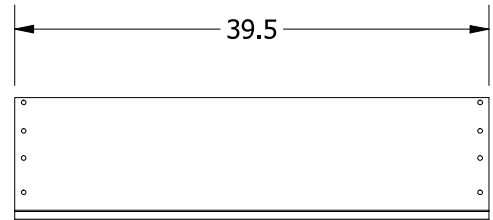
AS-40398



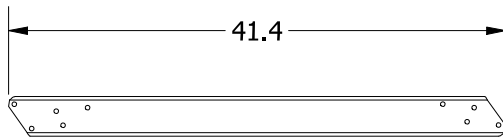
AS-40020



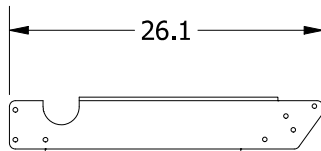
AS-40014



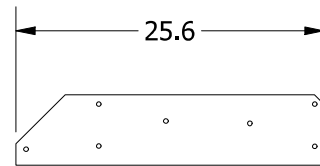
AS-40019



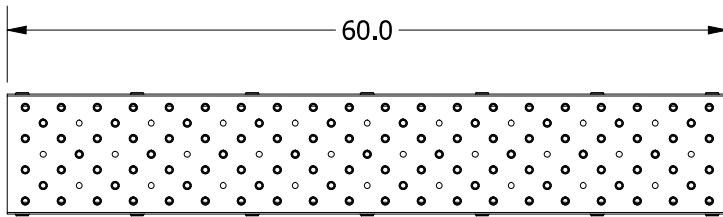
AS-40016



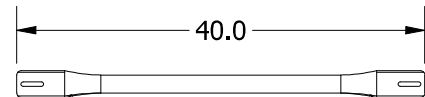
AS-40015



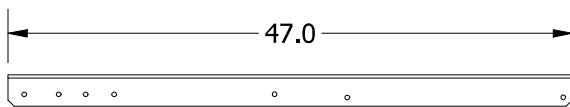
AS-40031



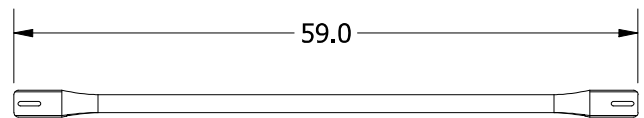
AS-40017



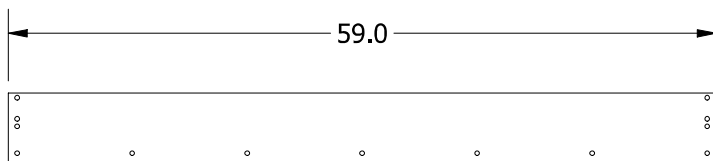
TRS1504000



AS-40018

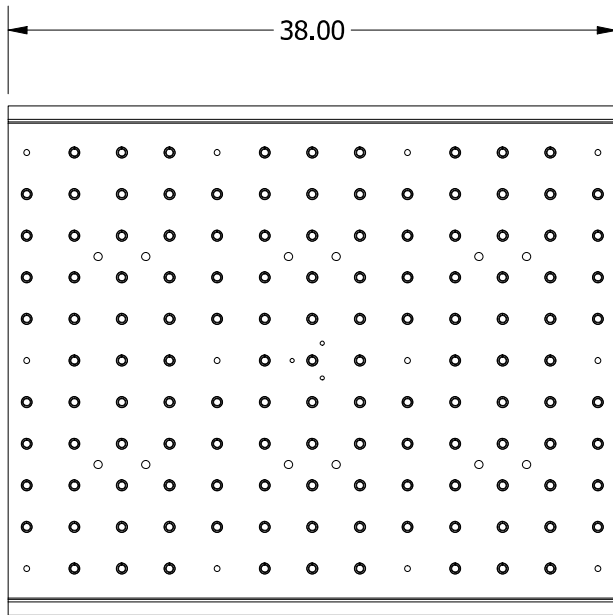


TRS1505900

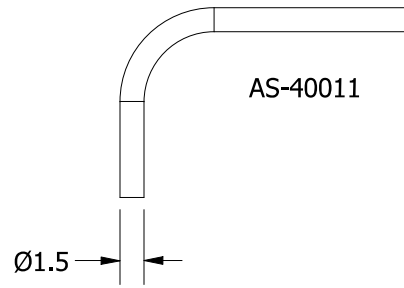


AS-40021

Parts Identification Continued

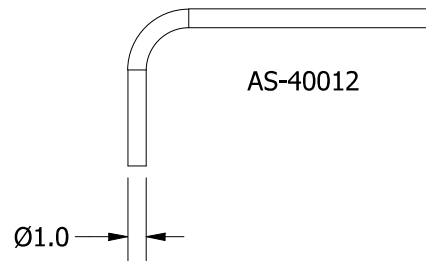


AS-43930



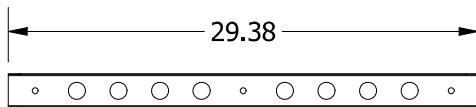
AS-40011

Ø1.5

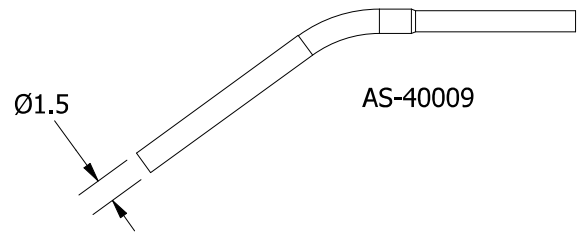


AS-40012

Ø1.0

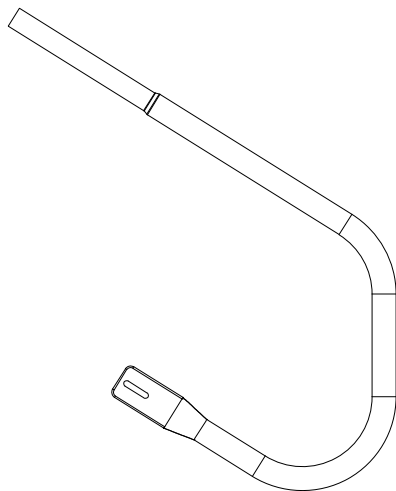


AS-40036

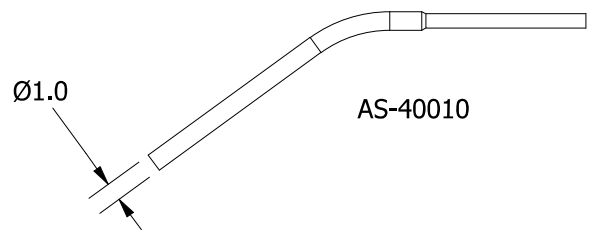


AS-40009

Ø1.5



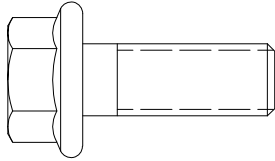
ART-2226



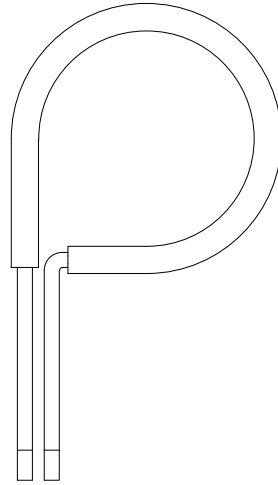
AS-40010

Ø1.0

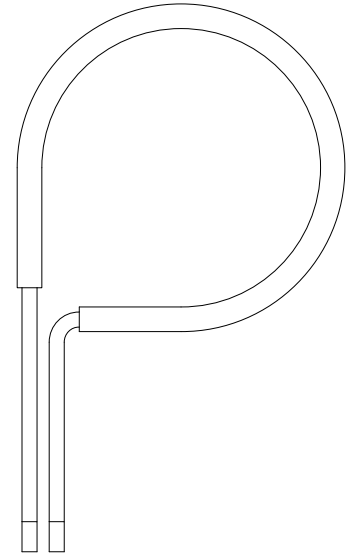
Hardware



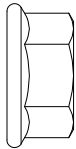
3/8"-16 x 1" Flange Bolt



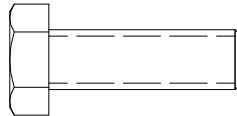
Handrail Clamp for 1.0 in



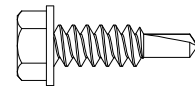
Handrail Clamp for 1.5 in



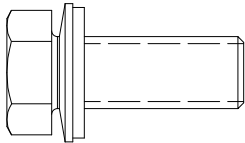
3/8"-16 Whiz Lock Nut



5/16"-18 x 1" Hex Head Cap Screw



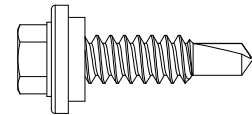
#12-14 x 3/4" Screw



3/8"-16 x 1" Bin Bolt



5/16"-18 Whiz Lock Nut

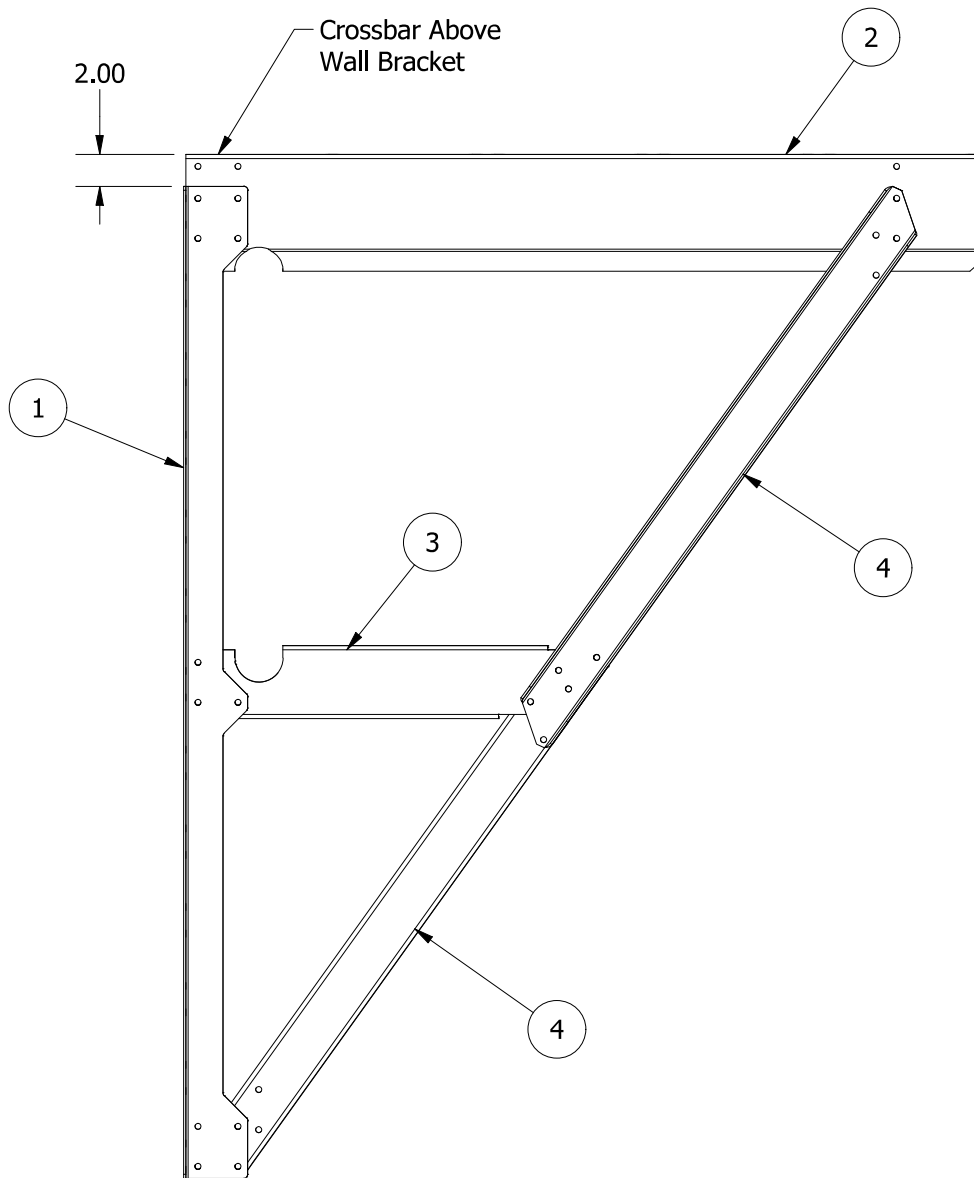


1/4"-14 x 7/8" Screw Sealer

Hardware List		
ITEM	DESCRIPTION	QTY
3/8 x 1 Bin Bolt	3/8"-16 x 1" Bin Bolt	16
3/8-16SFN	3/8"-16 Whiz Lock Nut	166
3/8-16x1SFB	3/8"-16 x 1" Flange Bolt	150
5/16-18SFN	5/16"-18 Whiz Lock Nut	12
5/16x1 HCS	5/16"-18 x 1" Hex Head Cap Screw	12
FloorScrews	#12-14 x 3/4" Screw	20
HandScrews	1/4"-14 x 7/8" Screw Sealer	4
HRC1000	Handrail Clamp for 1 in	4
HRC1500	Handrail Clamp for 1.5 in	6

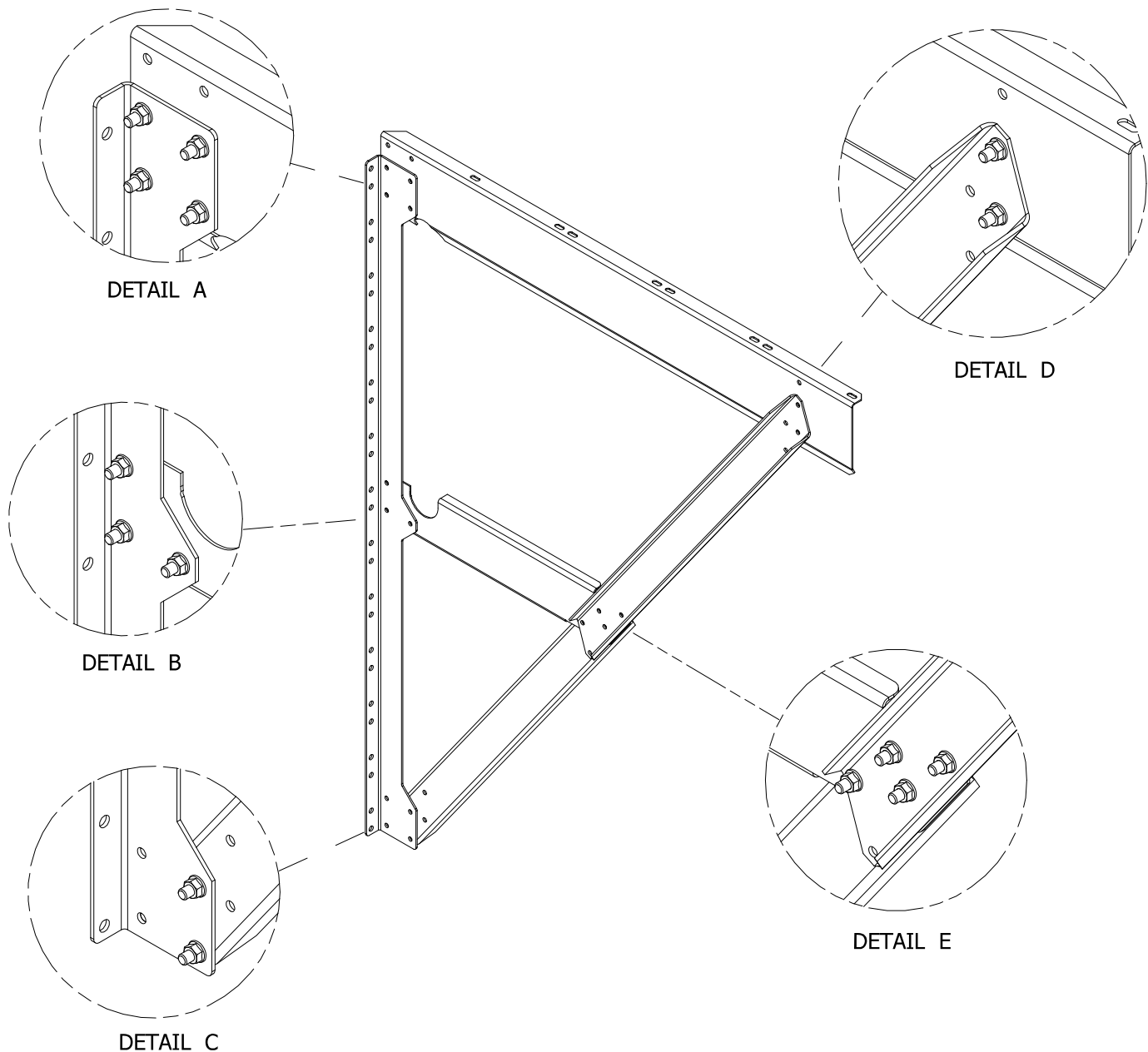
Platform Bracket Configuration

PARTS LIST			
ITEM	QTY	PART NUMBER	DESCRIPTION
1	1	AS-40398	Bracket, Wall, Platform 39" ring
2	1	AS-40014	Crossbar, Platform
3	1	AS-40015	Bracket, Tiebrace, Platform
4	2	AS-40016	Channel, Kneebrace, Platform



Platform Bracket Assembly

AWT8539 Eave Platform Wall Bracket



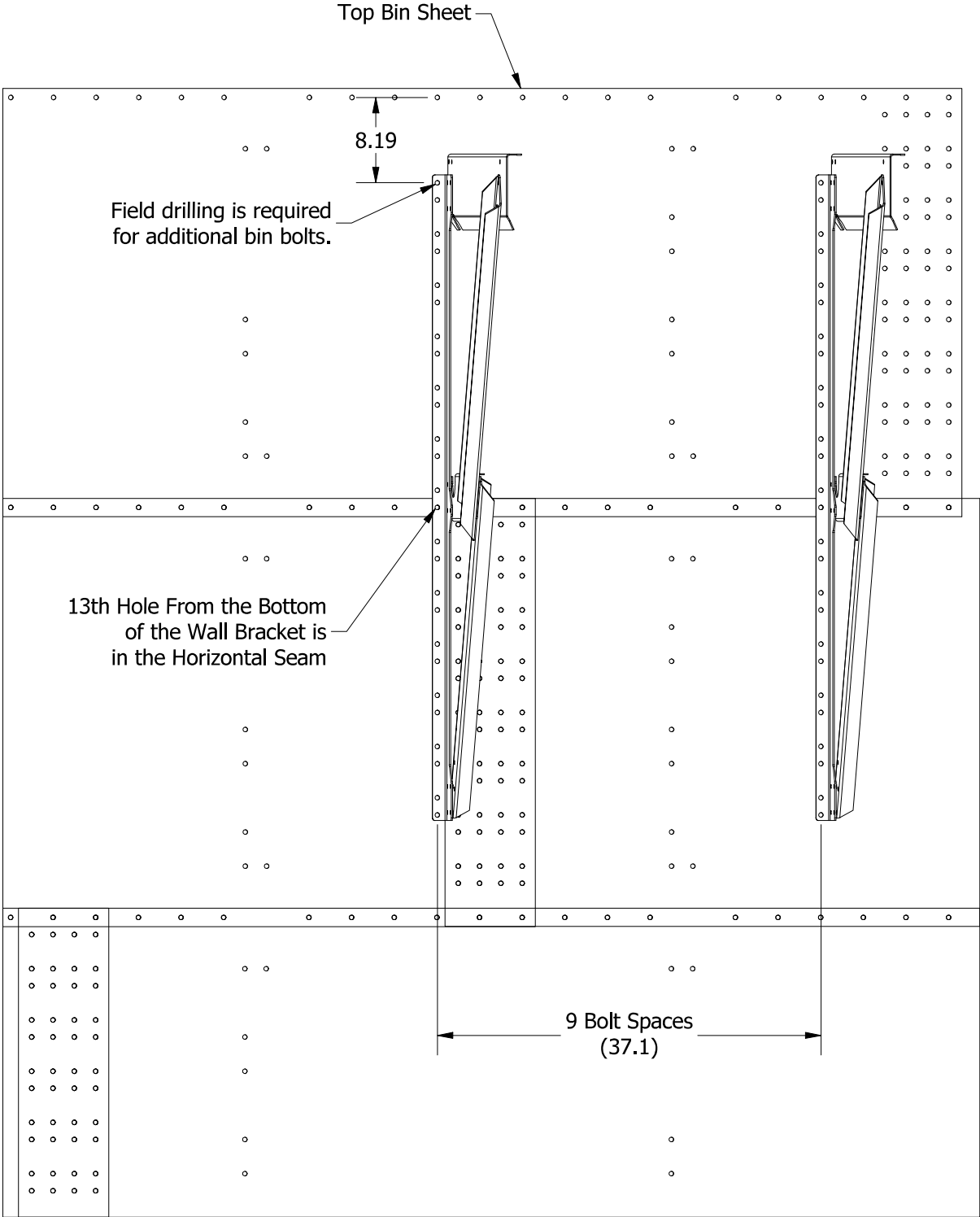
- A. Attach the cross bar AS-40014 to the wall bracket AS-40398. Secure using (4) 3/8" Flange Bolts and Nuts. See Detail A.
- B. Attach the tie brace AS-40015 to the wall bracket AS-40398. Secure using (4) 3/8" Flange Bolts and Nuts. See Detail B.
- C. Attach the lower knee brace AS-40016 to the wall bracket. Secure using (2) 3/8" Flange Bolts and Nuts. The flanges on the AS-40016 will be to the right, when facing the bracket. See Detail C.
- D. Attach the upper knee brace AS-40016 to the cross bar. The flanges on the AS-40016 will be facing to the left. Secure using (2) 3/8" Flange Bolts and Nuts. See Detail D.
- E. Attach the upper and lower knee braces to the tie brace. The knee braces should face back to back, with the tie brace in between them. Secure using (4) 3/8" Flange Bolts and Nuts. See Detail E.

AWT8539 Eave Platform Wall Brackets (High Platform)

The horizontal spacing for the wall brackets is 9 bolt spaces.

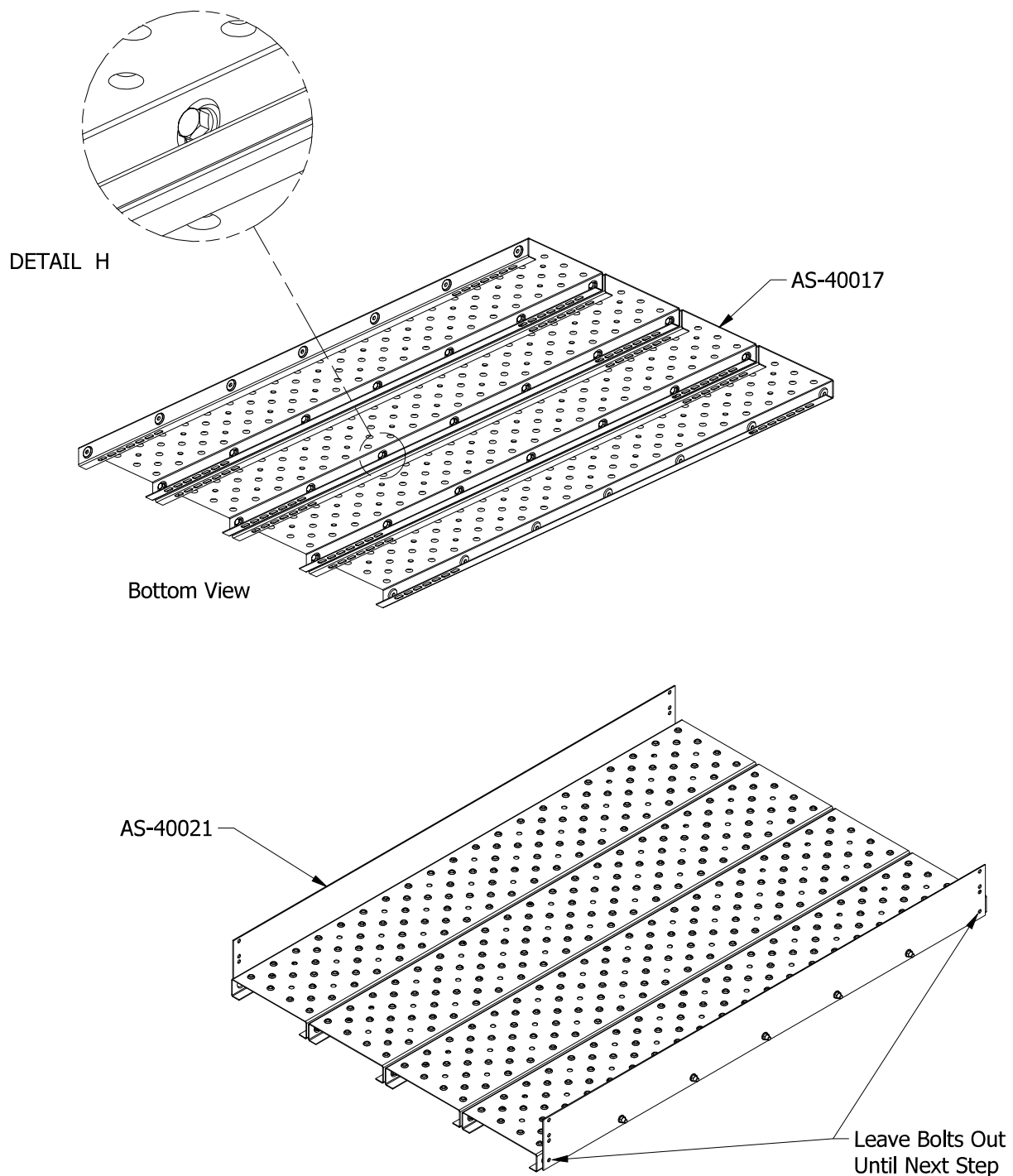
See the diagram below for the vertical placement of the wall brackets.

Each platform wall bracket requires (8) bolts to be attached to the bin wall, field drilled when necessary.



Assembling the Deck and Side Kickboards

- A. Center and place the (4) AS-40017 deck planks on top of the wall brackets or a flat surface.
- B. Using (21) 3/8" Flange Bolts and Nuts, secure the (4) deck planks together. See Detail H.
- C. Attach the (2) side kickboards AS-40021 to the outside planks, using (10) 3/8" Flange Bolts and Nuts. Note: Leave the outside bolts out; these will be added in the next step to attach the posts.

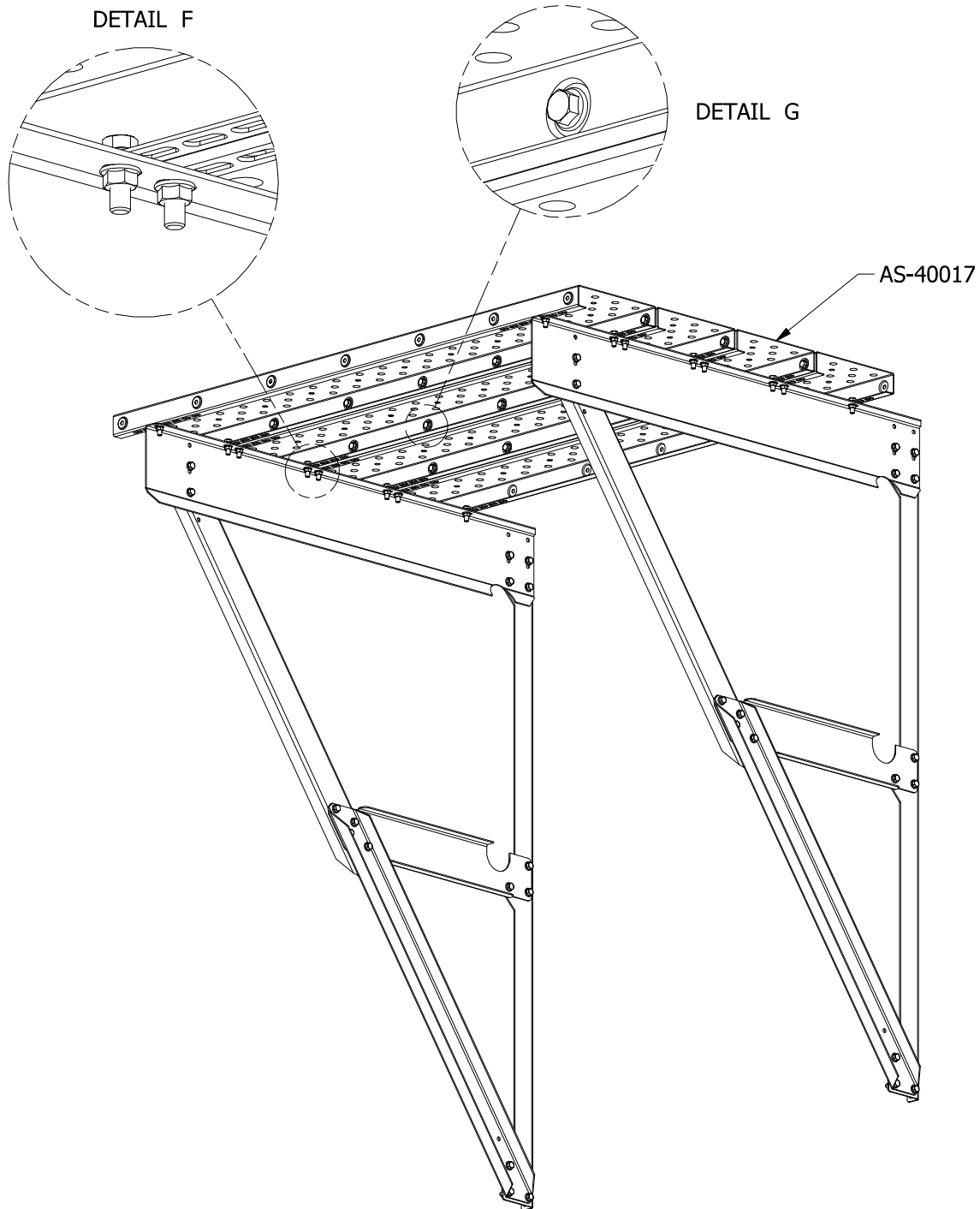


Attaching the Deck to the Wall Brackets

Note:

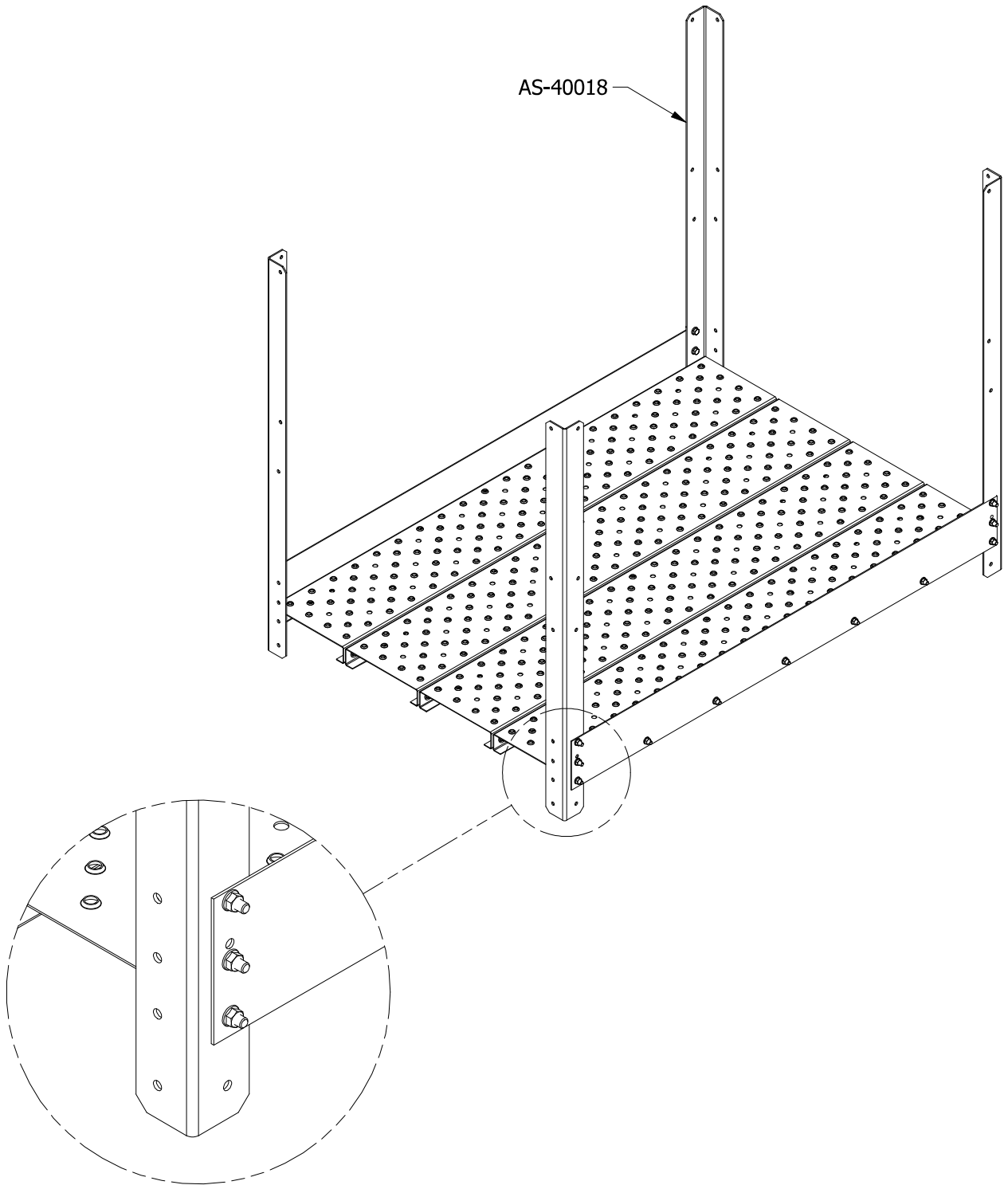
The platform can be built on top of the wall brackets already attached to the bin wall, or can be built on the ground and set into place on the wall brackets.

- A. Center and place the (4) AS-40017 deck planks on top of the wall brackets assembled in the previous step.
- B. Secure in place using (16) 3/8" Flange Bolts and Nuts. See Detail F.
- C. Using (21) 3/8" Flange Bolts and Nuts, secure the (4) deck planks together. See Detail G.



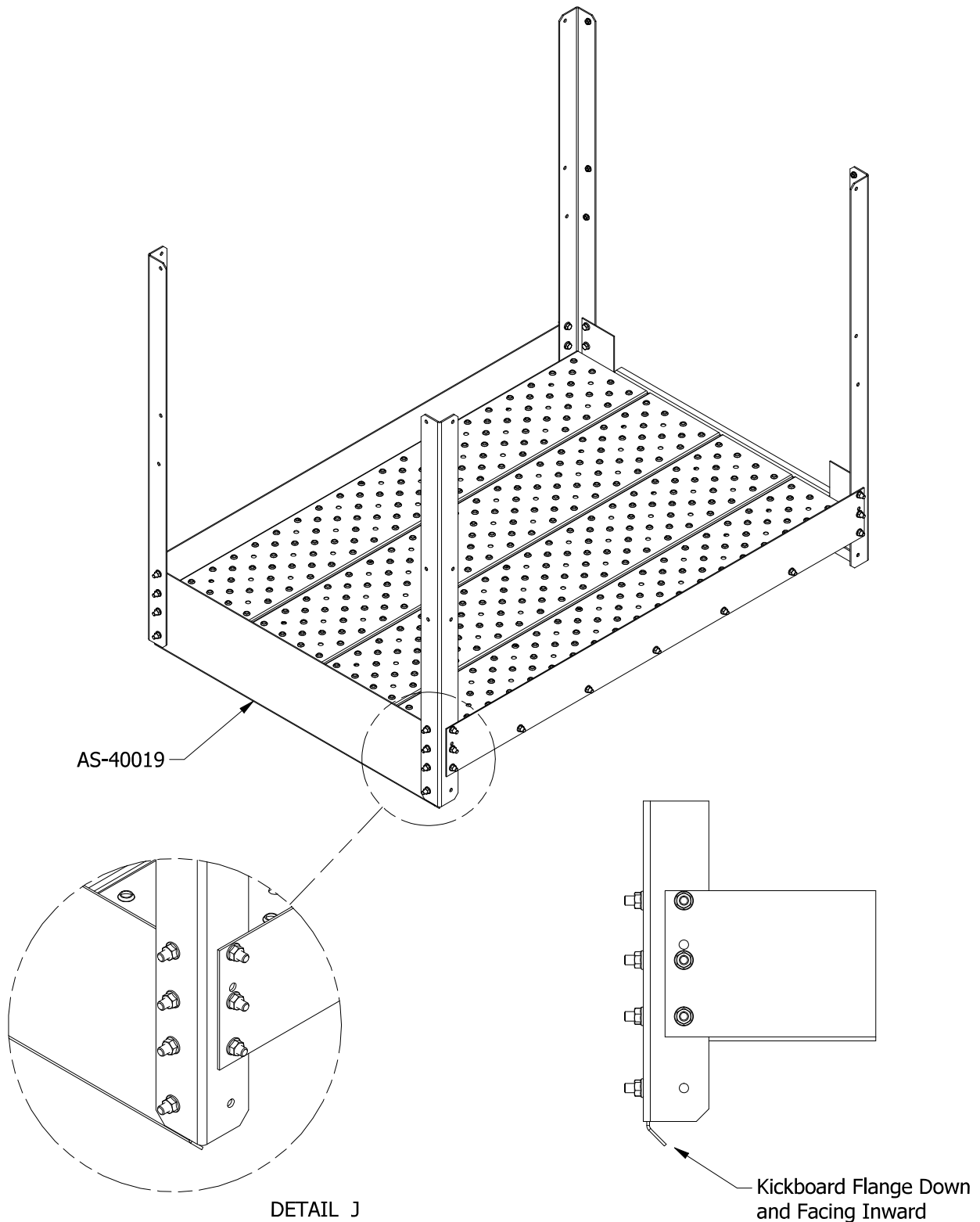
Attaching the Platform Posts

- A. Attach the (4) angle posts AS-40018 to the side kickboards. The kickboards should be on the outside of the posts. The 2nd hole from the bottom of the post lines up with the kickboard and deck plank.
- B. Secure in place using (12) 3/8" Flange Bolts and Nuts.



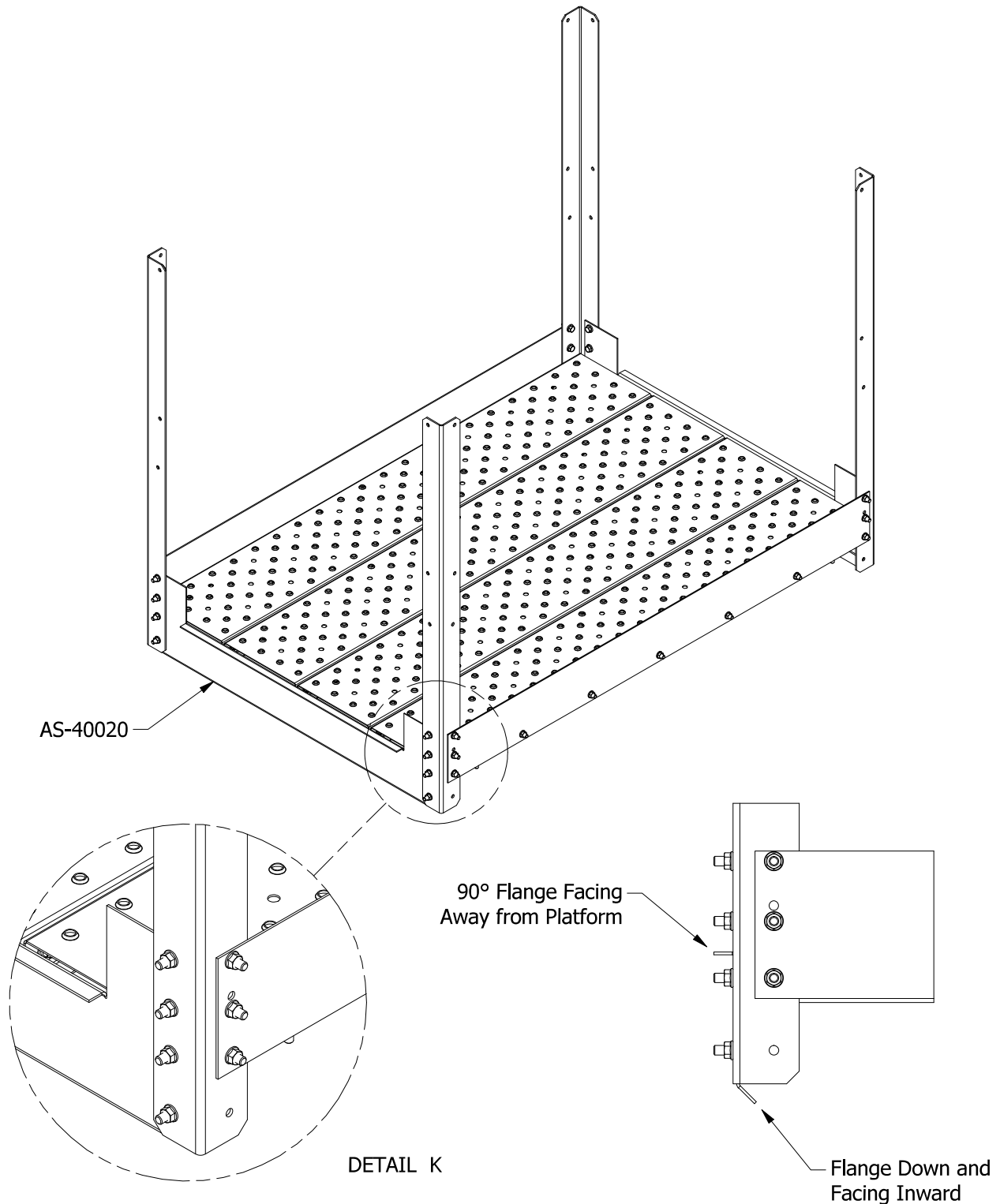
Attaching the End Kickboard

- A. Attach the end kickboard AS-40019 to the inside of the corner posts. The flange on the kickboard should be at the bottom and should face towards the inside of the platform.
- B. Secure in place using (8) 3/8" Flange Bolts and Nuts.



Attaching the Entry Kickboards

- A. Attach the (2) entry kickboards AS-40020 to the corner posts. The kickboards should be inside of the corner posts. The cutout opening faces up, and the 90° flange faces away from the platform. The bottom flange faces towards the inside of the platform.
- B. Secure each kickboard in place using (8) 3/8" Flange Bolts and Nuts.



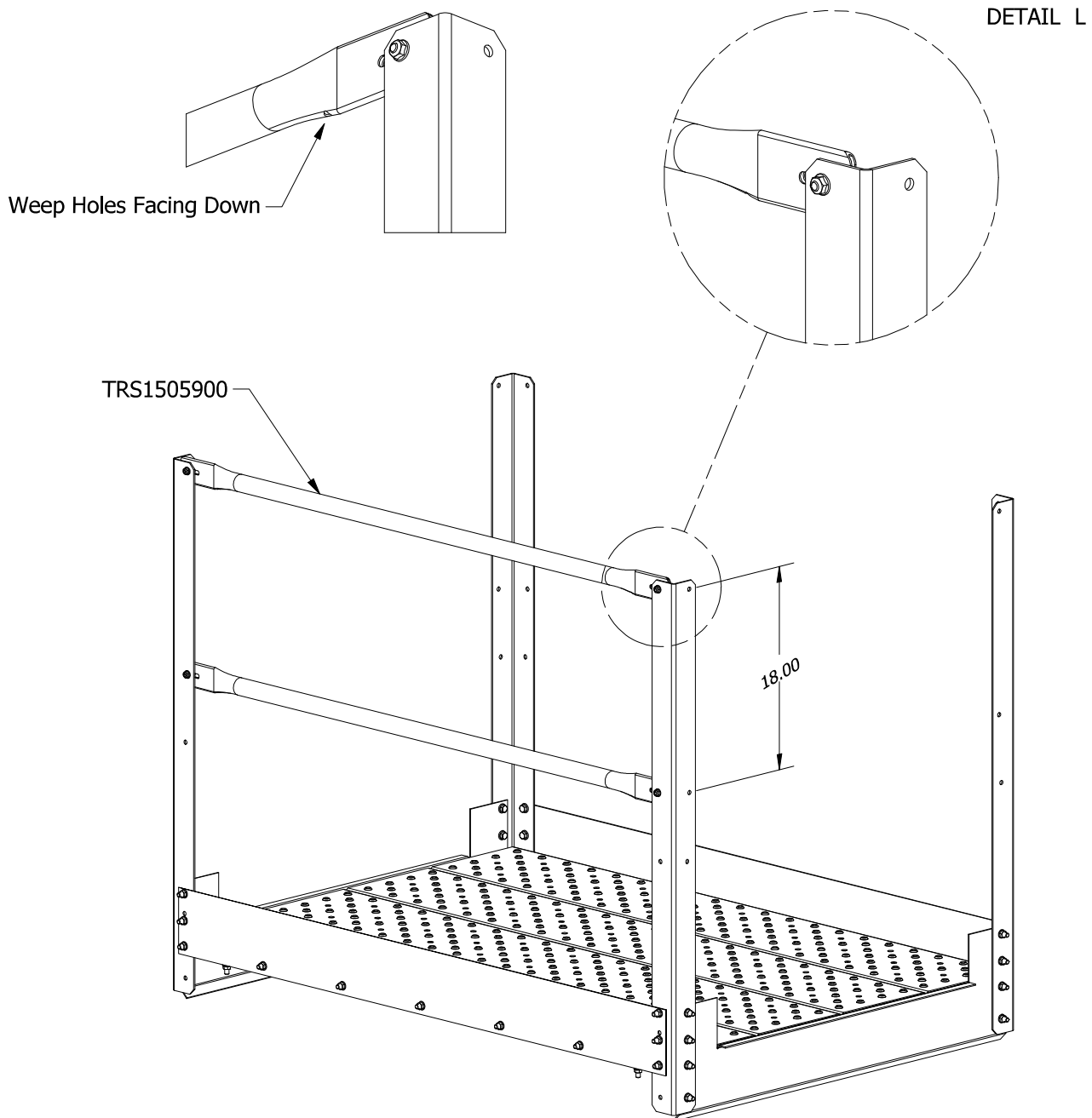
Installing the Handrails

Note:

The handrails should be installed from the inside of the posts, with the bolt heads inside and the nuts outside of the platform.

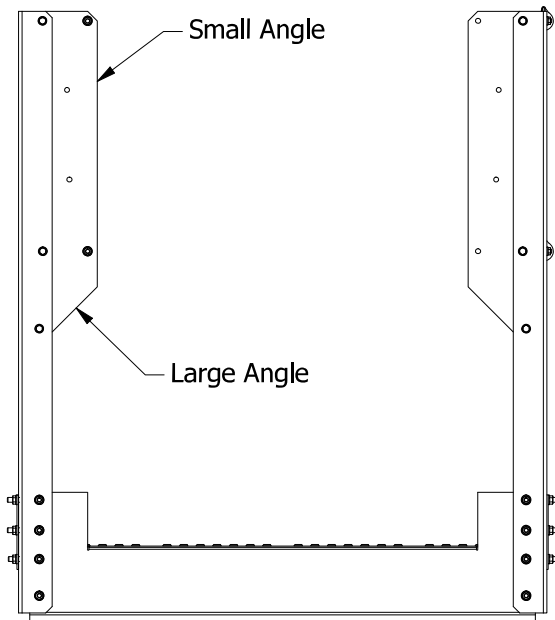
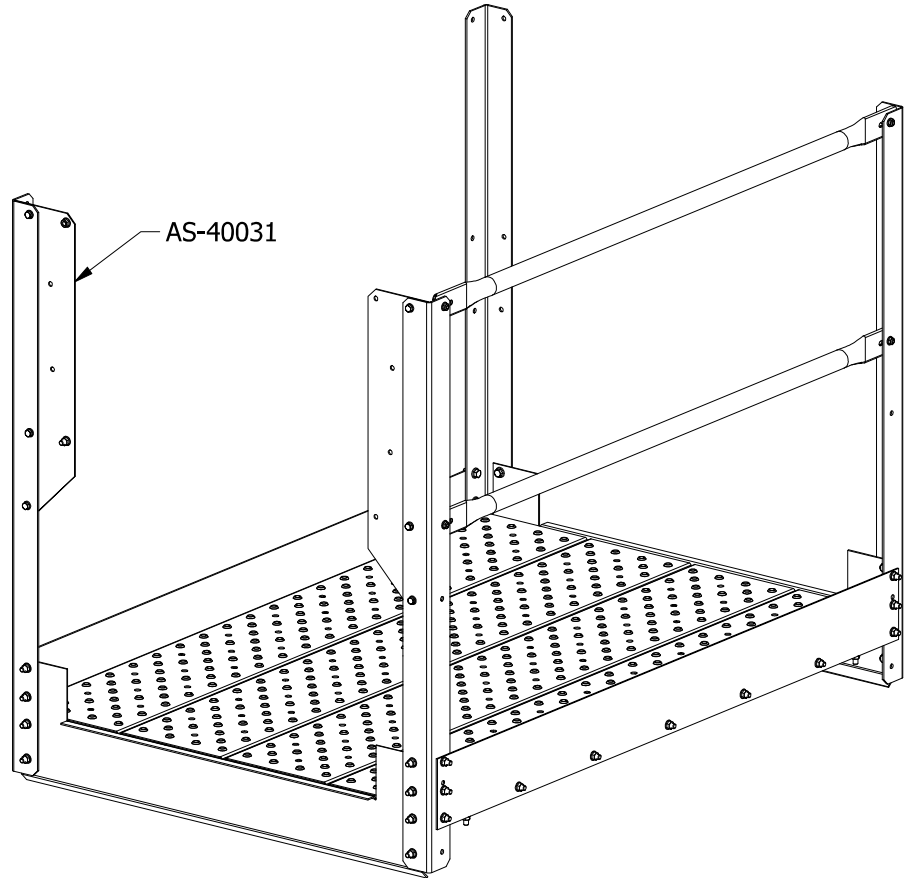
The handrails should be installed with the weep holes facing down to allow any moisture to drain.

- A. Place the long handrails TR1505900 on from the inside of the posts, with the weep holes facing down.
- B. The top handrail installs in the top hole, the intermediate rail installs in the 2nd hole down, 18" from the top hole.
- C. Secure each handrail in place with (2) 3/8" Flange Bolts and Nuts.



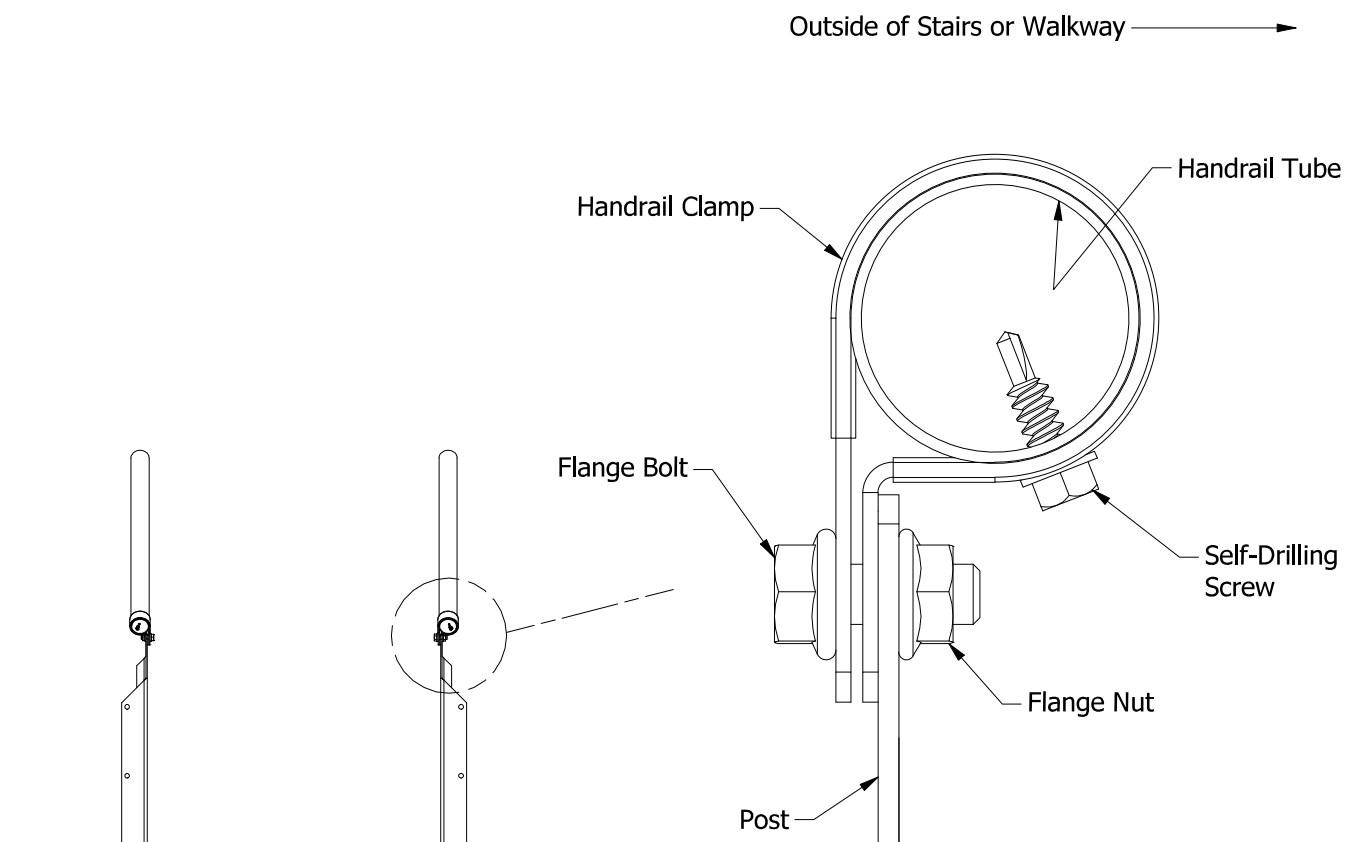
Attaching the Platform Handrail Brackets

- A. Place the (2) platform handrail brackets AS-40031 onto the inside of the entry posts, so that the end with the small angle is up, and the end with the large angle is down.
- B. Secure the brackets to the posts using (3) 3/8" Flange Bolts and Nuts.



Handrail Clamp Installation Instructions

- Position the handrail clamp so it is oriented facing outward, and so it does not interfere into the width of the stairs or walkway.
- Insert the bolt through both holes on the handrail clamp first, then push the bolt through the hole in the stair post from the inside. Install the nut on the outside so that the bolt head is on the inside of the stairs.
- Fasten the clamp tightly together so it is closed around the handrail, making sure the post is not between the two tabs.
- Install a self-drilling screw into the handrail clamp and through the handrail. It should be positioned on the outside near the bottom, approximately as shown, to minimize contact with the hands.



Detail of Handrail Clamp Assembly

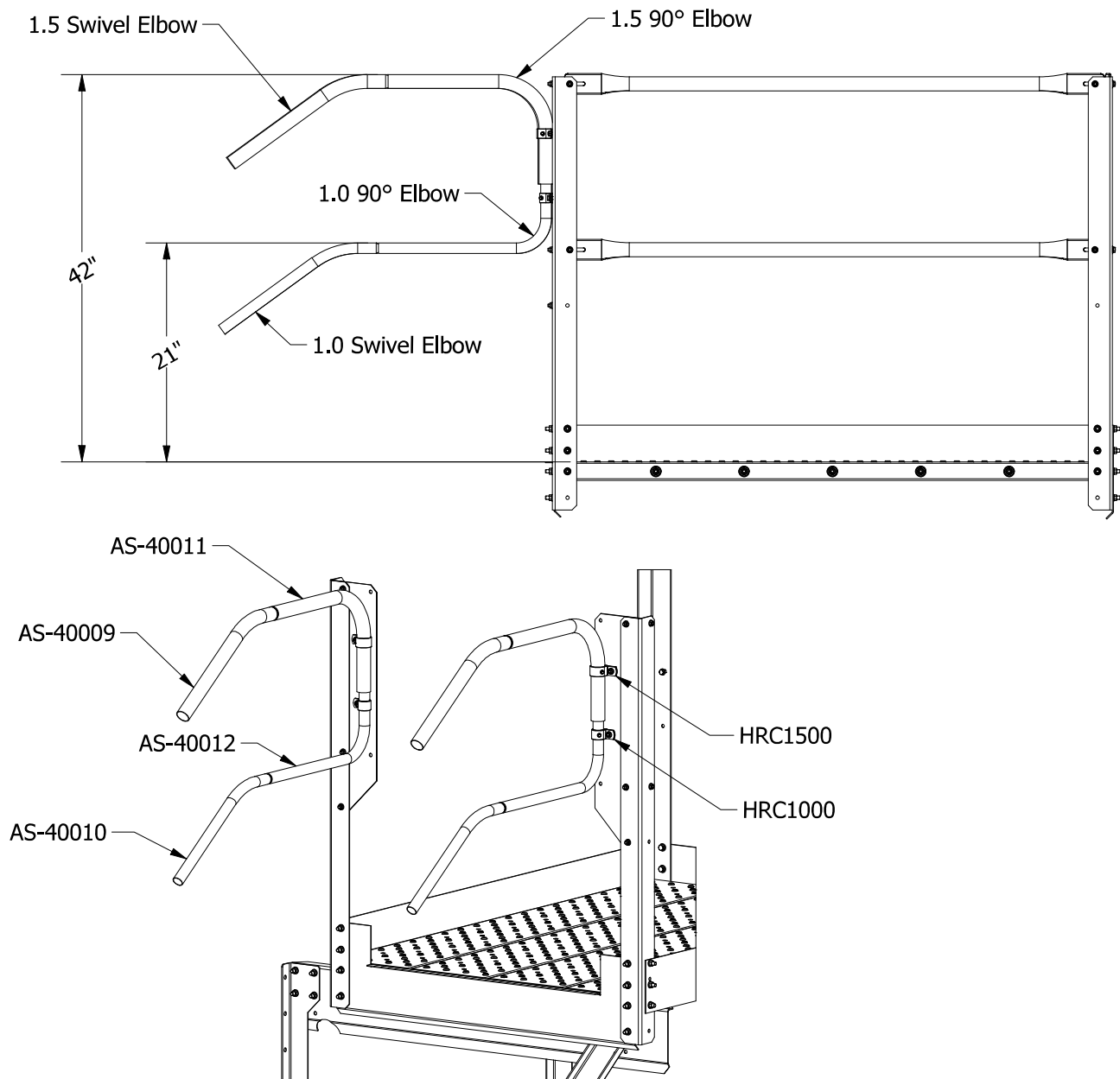
Roof Stair Example Shown

Attaching the Handrail Loops to the Entry

Note:

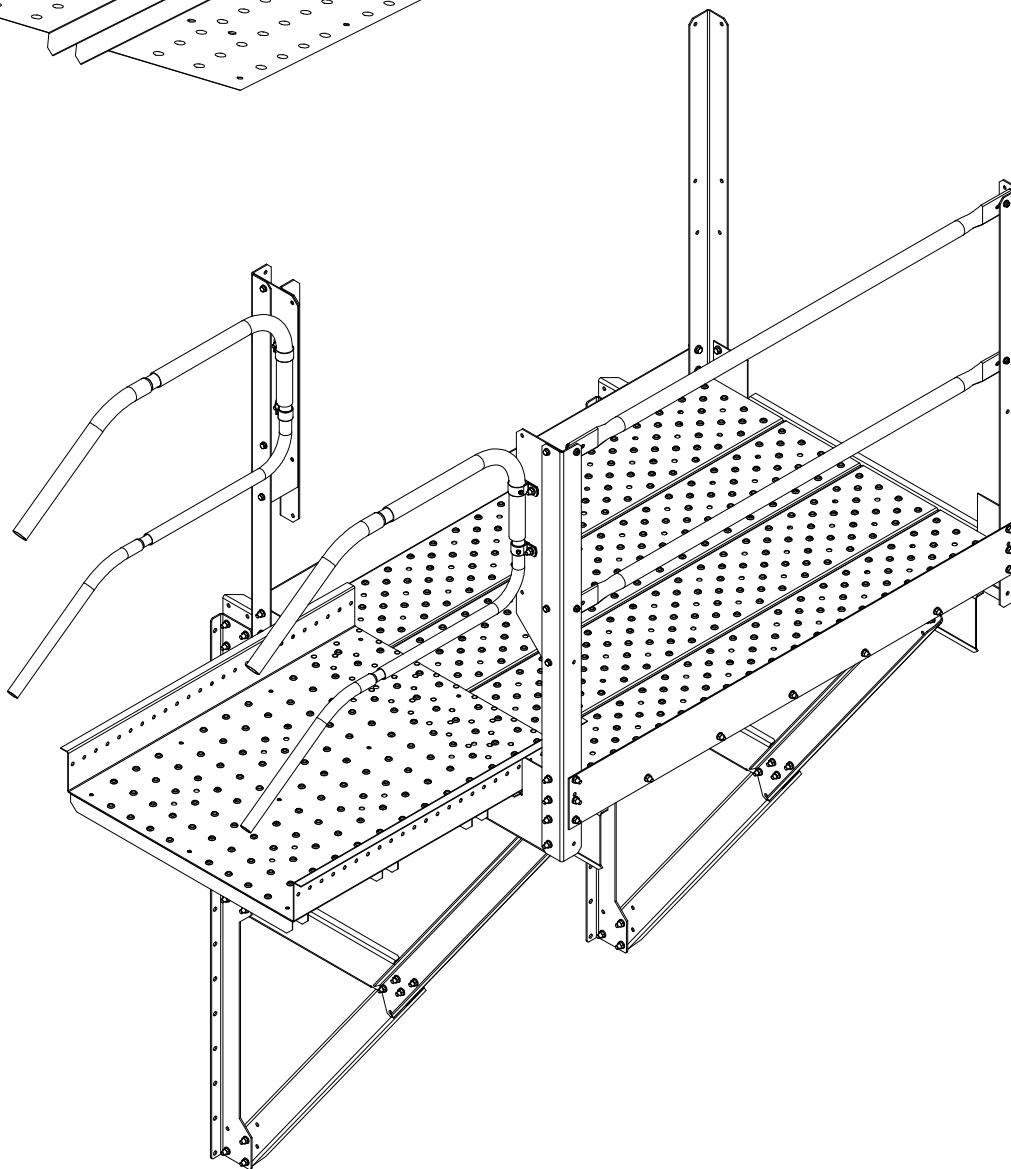
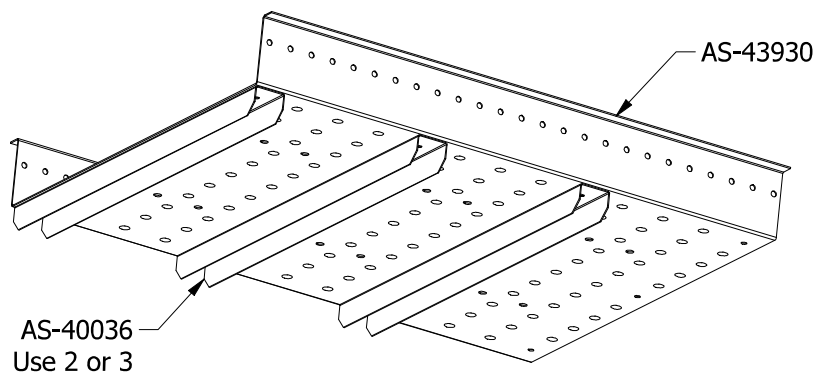
Do not fully tighten the handrail loops until attaching to the lower platform; some field modifications and fitting of the tubes may be required to maintain the correct handrail heights.

- A. Attach the 1.5 90° elbow AS-40011 to the handrail post bracket with the handrail clamp HRC1500 and a 3/8" Flange Bolt and Nut.
- B. Insert the 1.0 90° elbow AS-40012 into the 1.5 elbow and attach to the handrail post bracket with the HRC1000 handrail clamp and a 3/8" Flange Bolt Nut.
- C. Insert the swaged end of the 1.0 swivel elbow AS-40010 into the 1.0 90° elbow. Insert the swaged end of the 1.5 swivel elbow AS-40009 into the 1.5 90° elbow.
- D. The top of the upper handrail should be 42" (106.7 cm) above the platform tread. The top of the intermediate rail should be 21" (53.3 cm) above the platform tread.
- E. Partially tighten the rails to secure, they can be fully tightened once attached to the lower platform.

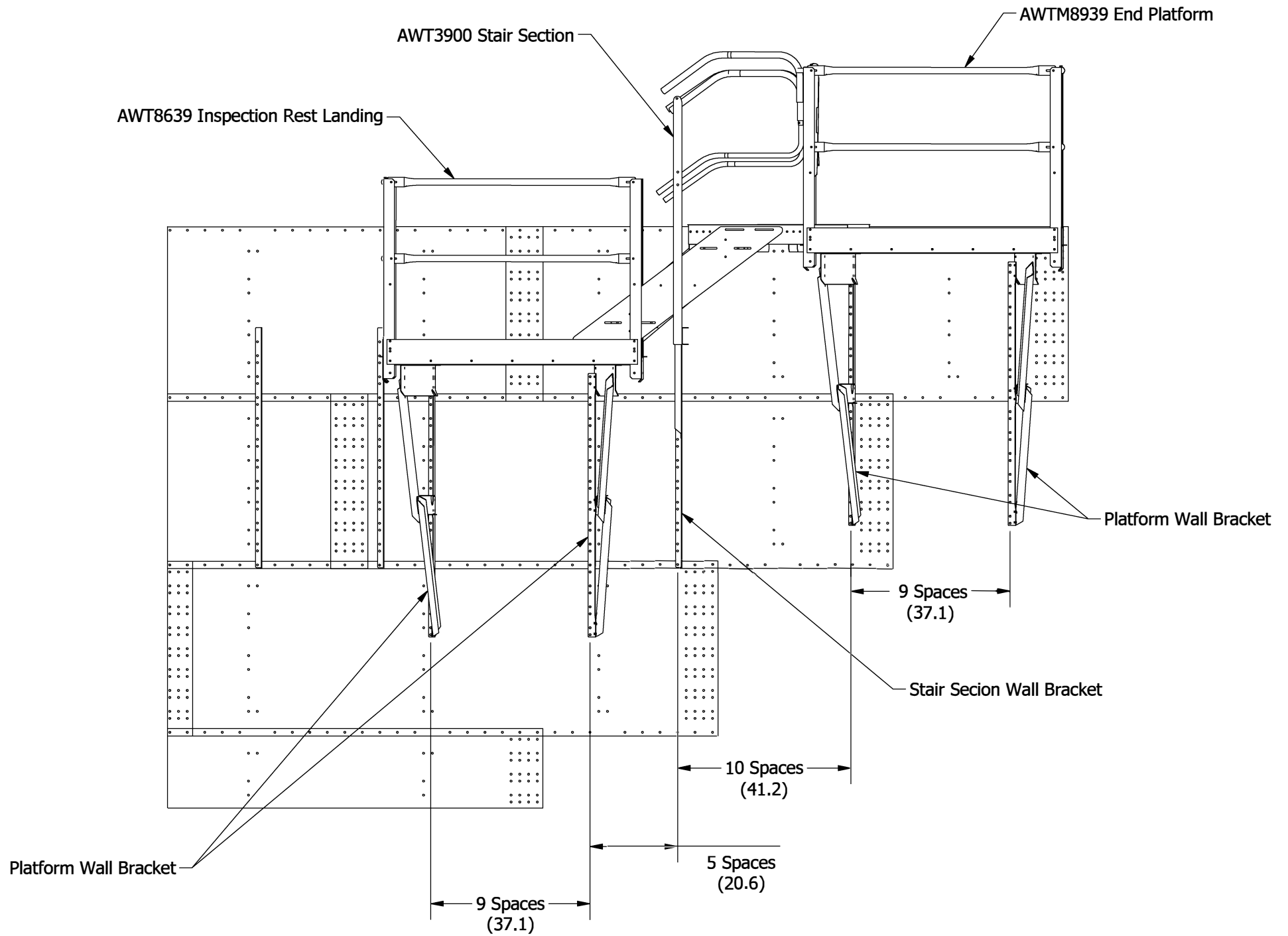


Assemble the Landing Tread

- A. Attach the channel braces AS-40036 to the landing tread skin AS-43930. The number of braces used will be 2-3 depending on the installation. Leave one brace off on the end that will rest on the platform.
- B. Secure each brace with (3) 5/16" Hex Head Bolts and Nuts.
- C. The landing platform rests on the eave platform on the upper end and connects to a stair section on the lower end. The final adjustments and connections will be made when connecting to the lower platform.



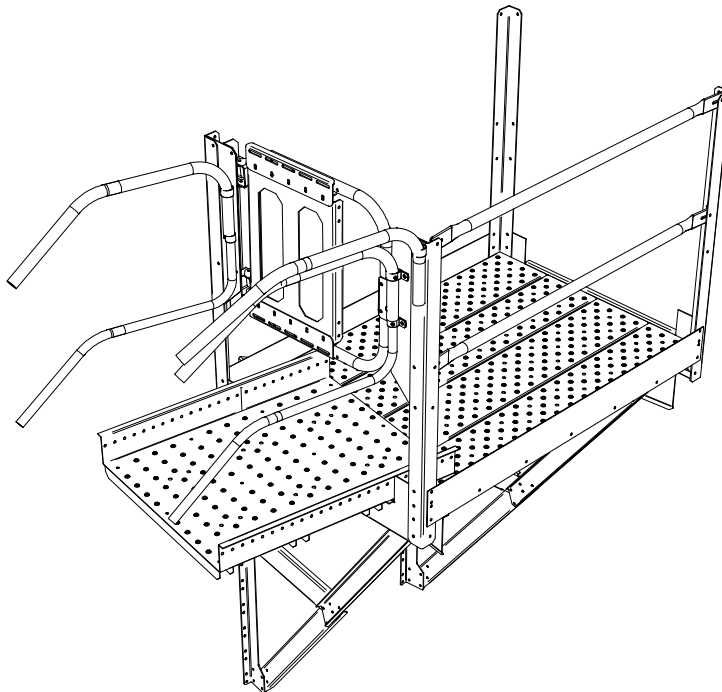
Wall Bracket Spacing



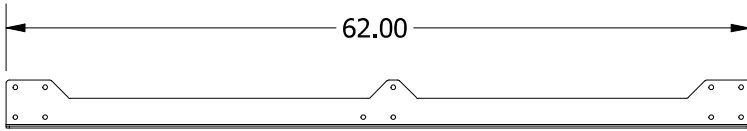
Parts List - AWT8639 Inspection Rest Landing

AWT8639, Inspection Rest Landing Parts List		
ITEM	DESCRIPTION	QTY
ART-2226	Bottom End Rail	2
AS-40009	1.5 Railing, Rest Landing Swivel Elbow	3
AS-40010	1.0 Railing, Rest Landing Swivel Elbow	2
AS-40011	1.5 Railing, End 90 deg	3
AS-40012	1.0 Railing, End 90 deg	2
AS-40014	Channel, Crossbar, Platform	2
AS-40015	Bracket, Tie Brace, Platform	2
AS-40016	Channel, Kneebrace, Platform	4
AS-40017	Plank, Tread, 10 x 60 x 14ga	4
AS-40018	Angle, Post	4
AS-40020	Plate, Kickboard, Entry	2
AS-40021	Plate, Kickboard, Side	2
AS-43930	Tread, Landing Skin Behlen	1
AS-40031	Bracket, Handrail, Platform	2
AS-40036	Channel, Landing Support	4
AS-40398	Bracket, Wall, Platform, 39" Ring	2
ASG100	A-Series Self Closing Gate Galvanized	1
TRS1505900	59 in 1.50 Tubing Smashed Both Ends	4

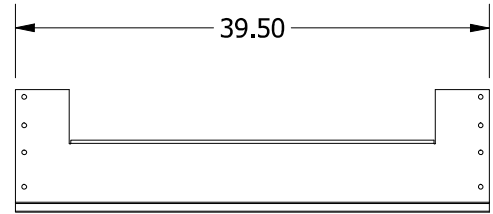
See the Following Pages for Parts Identification and Diagrams



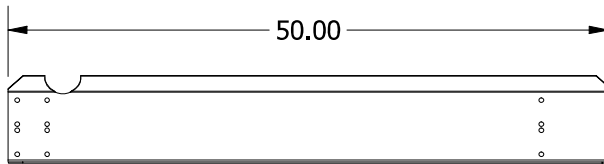
Parts Identification



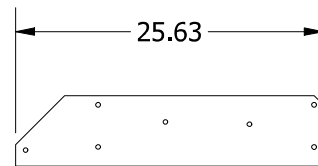
AS-40398



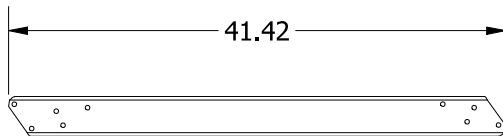
AS-40020



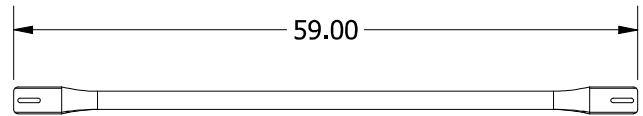
AS-40014



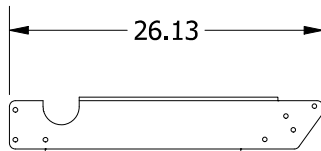
AS-40031



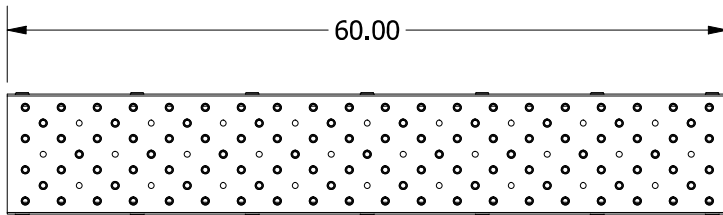
AS-40016



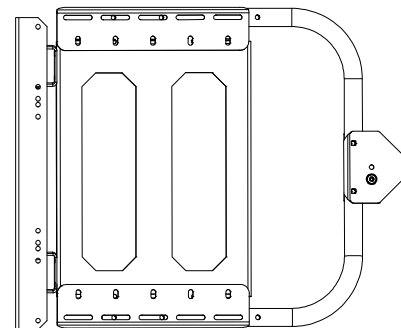
TRS1505900



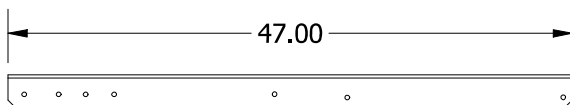
AS-40015



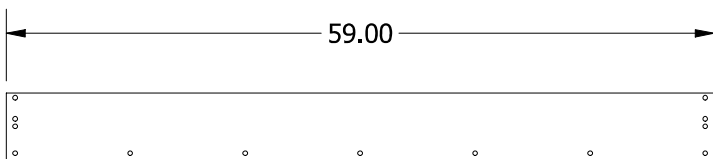
AS-40017



ASG100

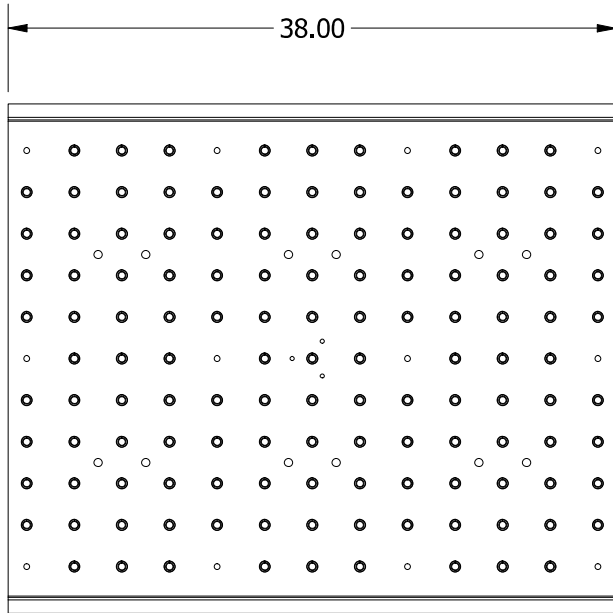


AS-40018

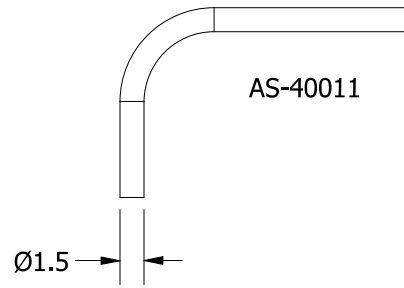


AS-40021

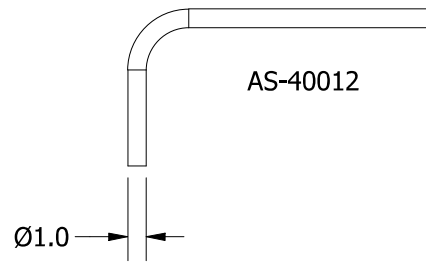
Parts Identification Continued



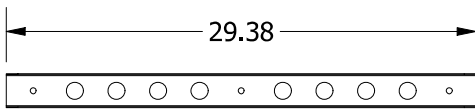
AS-43930



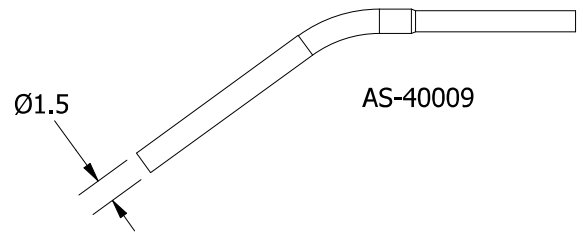
AS-40011



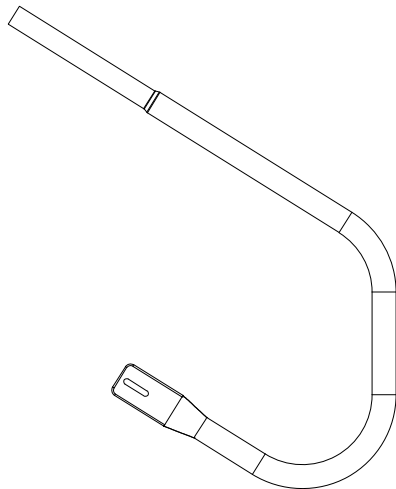
AS-40012



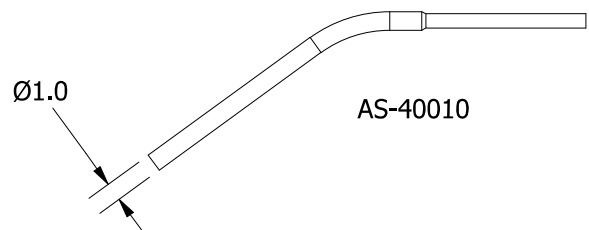
AS-40036



AS-40009

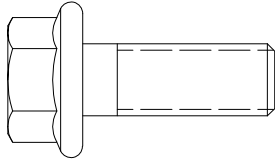


ART-2226

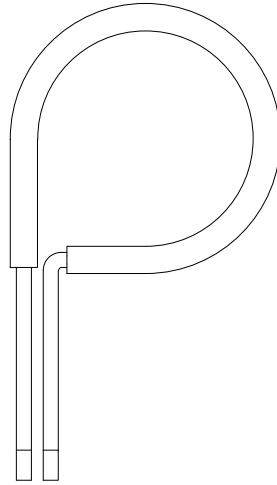


AS-40010

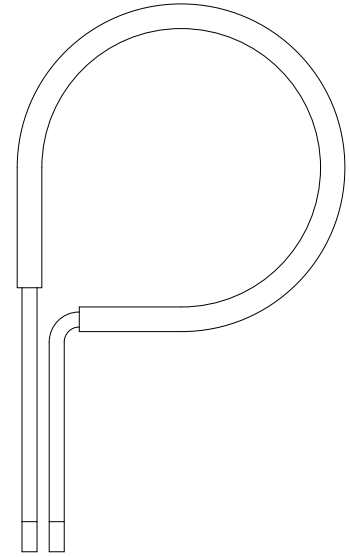
Hardware



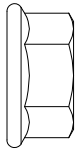
3/8"-16 x 1" Flange Bolt



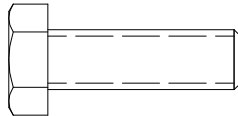
Handrail Clamp for 1.0 in



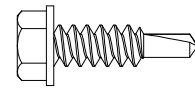
Handrail Clamp for 1.5 in



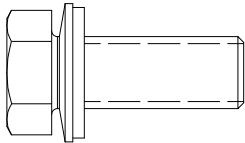
3/8"-16 Whiz Lock Nut



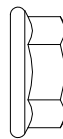
5/16"-18 x 1" Hex Head Cap Screw



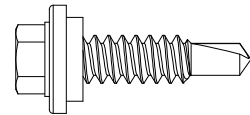
#12-14 x 3/4" Screw



3/8"-16 x 1" Bin Bolt



5/16"-18 Whiz Lock Nut



1/4"-14 x 7/8" Screw Sealer

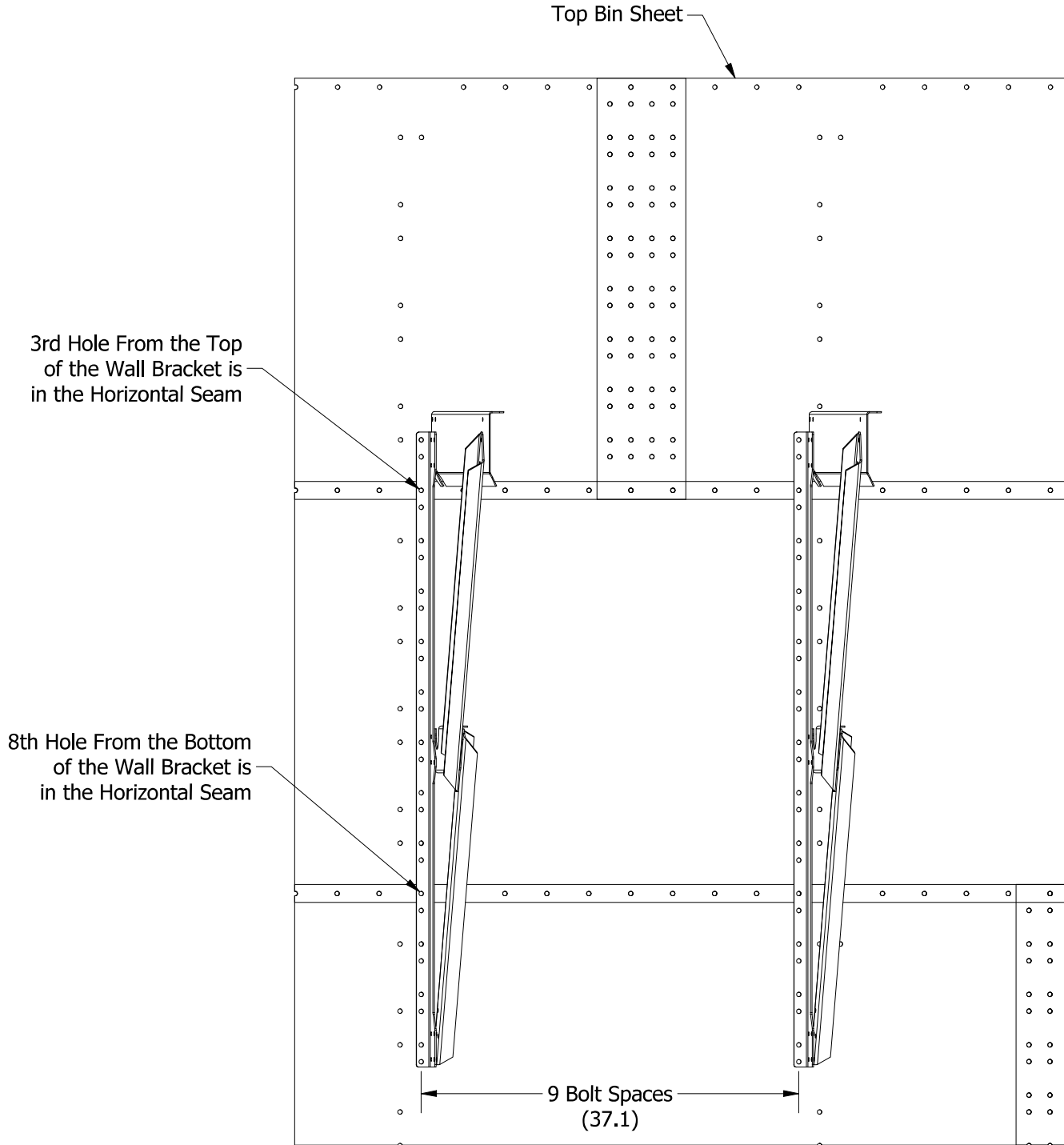
Hardware List		
ITEM	DESCRIPTION	QTY
3/8 x 1 Bin Bolt	3/8"-16 x 1" Bin Bolt	16
3/8-16SFN	3/8"-16 Whiz Lock Nut	166
3/8-16x1SFB	3/8"-16 x 1" Flange Bolt	150
5/16-18SFN	5/16"-18 Whiz Lock Nut	12
5/16x1 HCS	5/16"-18 x 1" Hex Head Cap Screw	12
FloorScrews	#12-14 x 3/4" Screw	20
HandScrews	1/4"-14 x 7/8" Screw Sealer	4
HRC1000	Handrail Clamp for 1 in	4
HRC1500	Handrail Clamp for 1.5 in	6

AWT8639 Inspection Rest Landing Wall Brackets (Low Platform)

The horizontal spacing for the wall brackets is 9 bolt spaces.

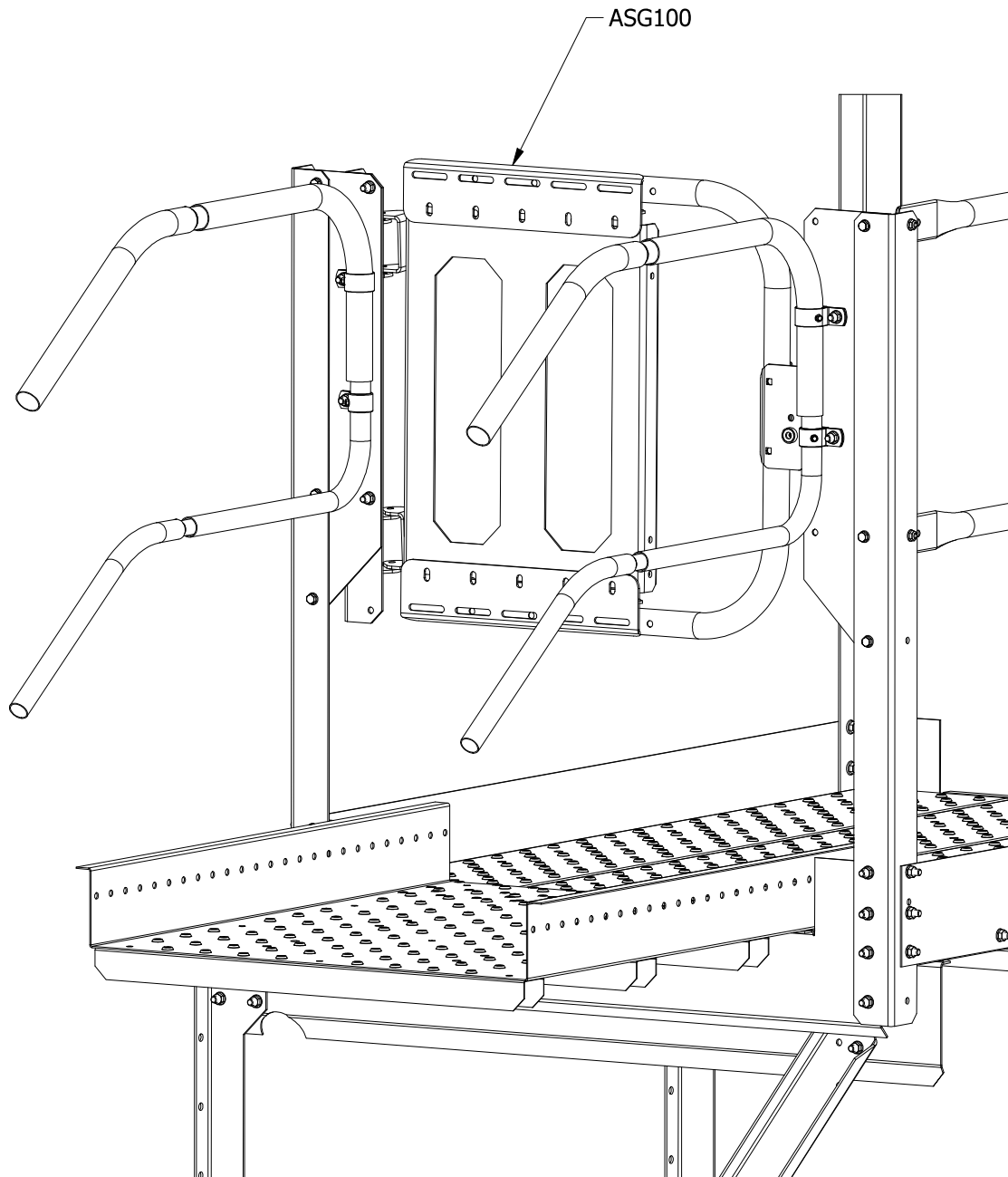
See the diagram below for the vertical placement of the wall brackets.

Each platform wall bracket requires (8) bolts to be attached to the bin wall, field drilled when necessary.



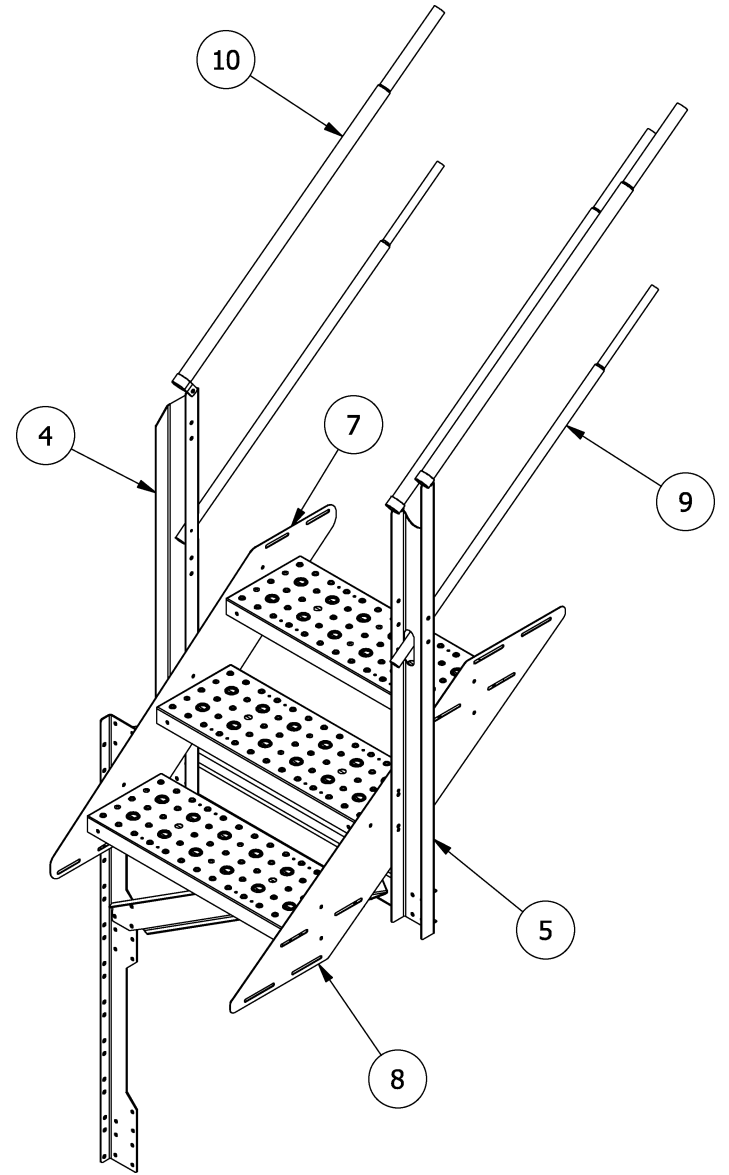
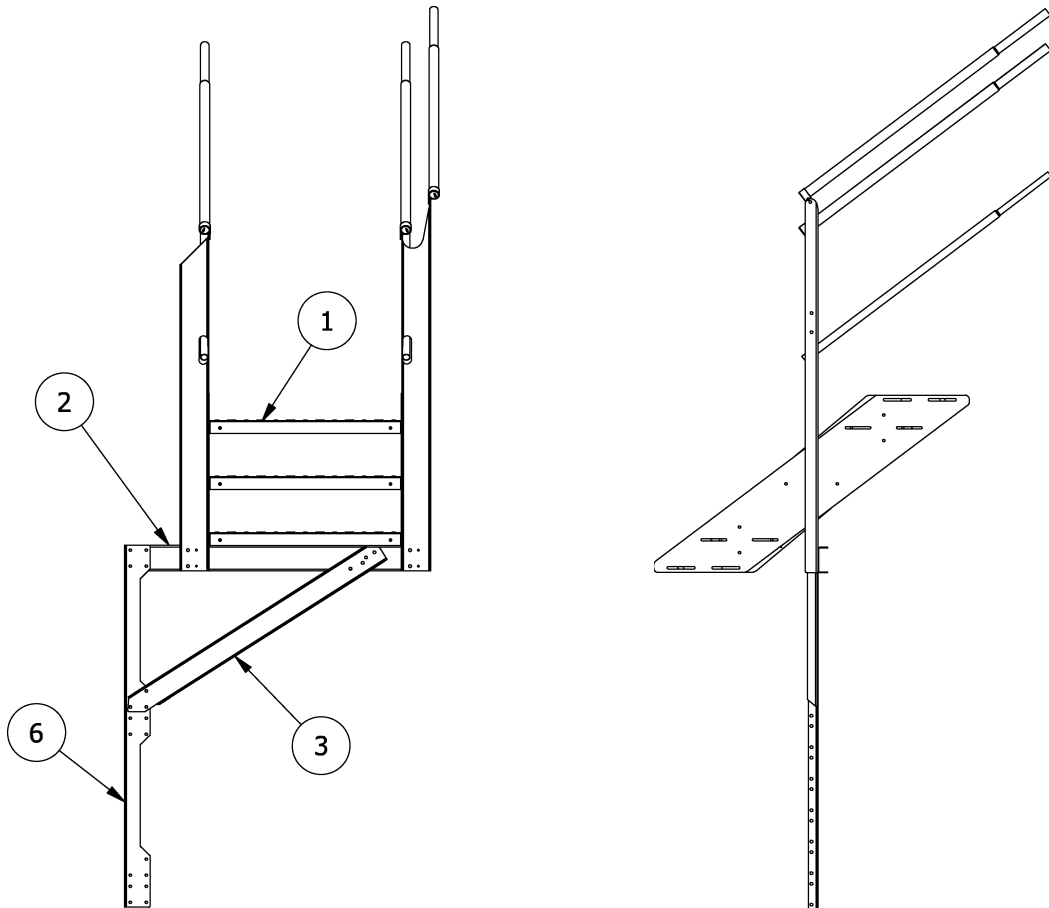
Installing the Gate

- A. Assemble the self-closing gate ASG100 per the gate instructions.
- B. Attach the gate mounting bracket to the inside platform handrail bracket, so that the gate swings into the platform towards the bin wall. Secure using (2) 3/8" Flange Bolts and Nuts.
- C. Adjust the gate to the correct width so that it closes against the outside platform handrail bracket.

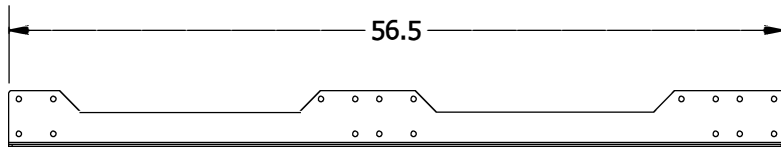


AWTB0390, Stair Section for 39" Ring

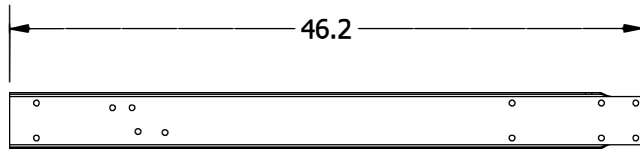
AWT3900, Stair Section 39" Parts List			
ITEM	PART NUMBER	DESCRIPTION	QTY
1	AS00030	Tread 30 x 11 Step Assembly	3
2	AS-40002	Channel, Crossbar, Stair	1
3	AS-40003	Kneebrace, Low	1
4	AS-40005	Post, Inside	1
5	AS-40006	Post, Outside	1
6	AS-40390	Bracket, Wall, 39" Ring	1
7	AS-40391	Stringer, Inside, 39" Ring	1
8	AS-40392	Stringer, Outside, 39" Ring	1
9	TR1004810	48 in 1.00 Swaged Tubing 10" swage	2
10	TR1504810	48 in 1.50 Swaged Tubing 10" swage	3



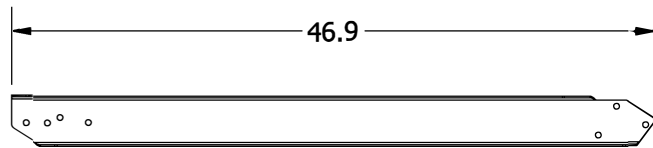
Parts Identification



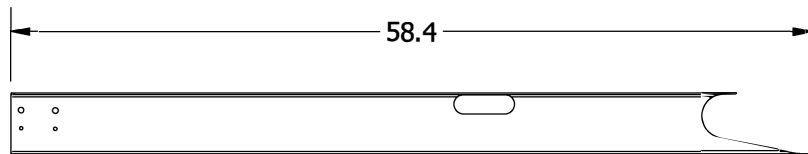
AS-40390



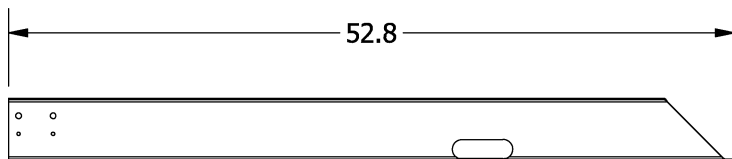
AS-40002



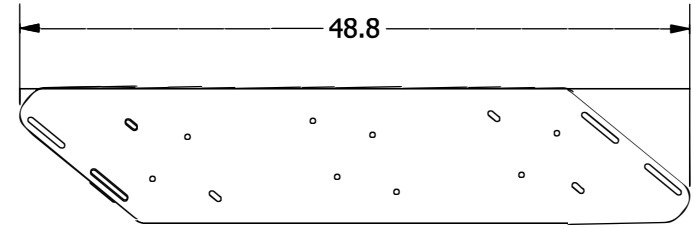
AS-40003



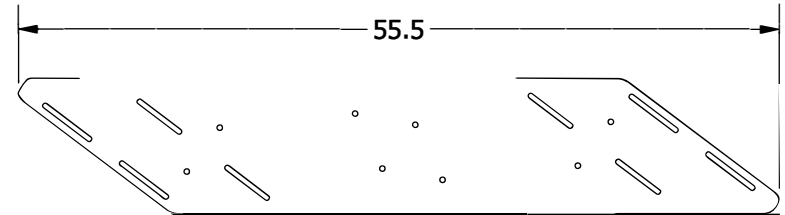
AS-40006



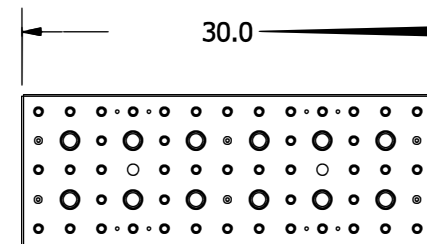
AS-40005



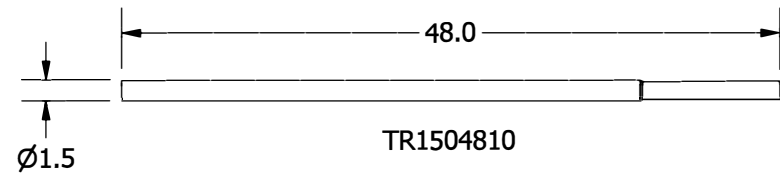
AS-40391



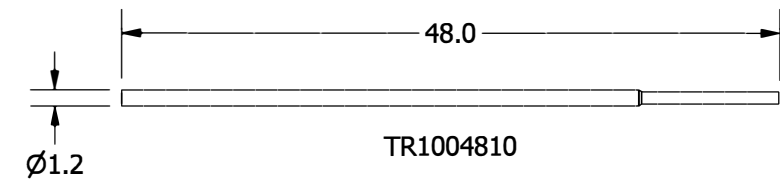
AS-40392



AS00030



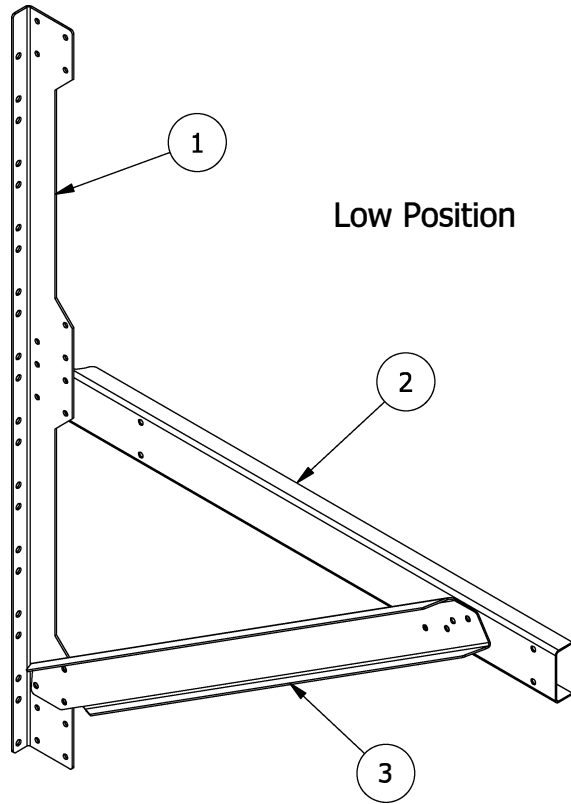
TR1504810



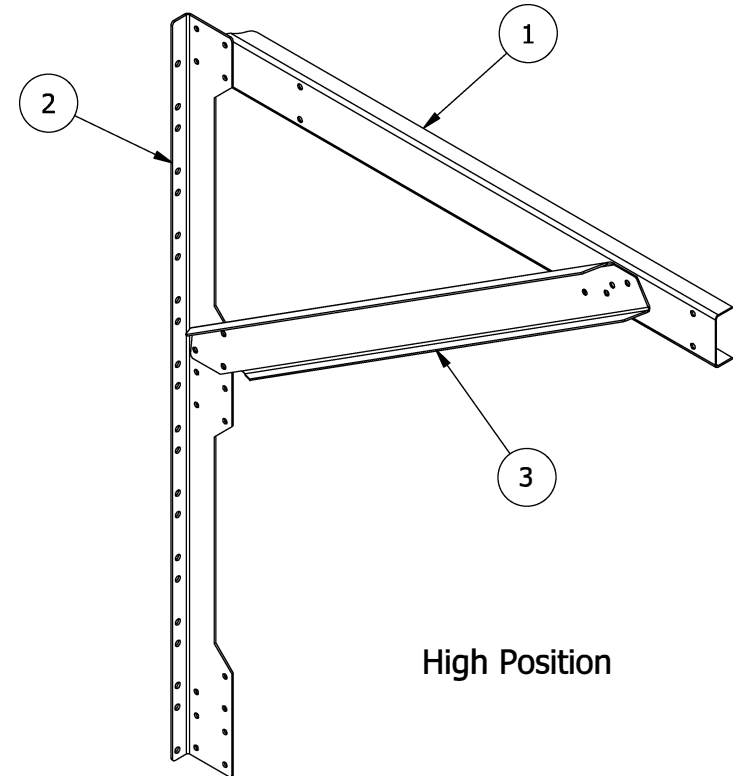
TR1004810

Wall Bracket Assembly

PARTS LIST		
ITEM	PART NUMBER	DESCRIPTION
1	AS-40390	Bracket, Wall, Stair 39" ring
2	AS-40002	Channel, Crossbar, Stair
3	AS-40003	Kneebrace, Low



Low Position



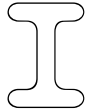
High Position

A. Attach the cross bar AS-40002 to the wall bracket AS-40390 in either the high or low position. Secure using (4) 3/8" Flange Bolts and Nuts.

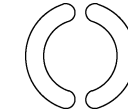
B. Attach the kneebrace AS-40003 to the wall bracket AS-40390. Secure using (4) 3/8" Flange Bolts and Nuts.

Stair Section Assembly

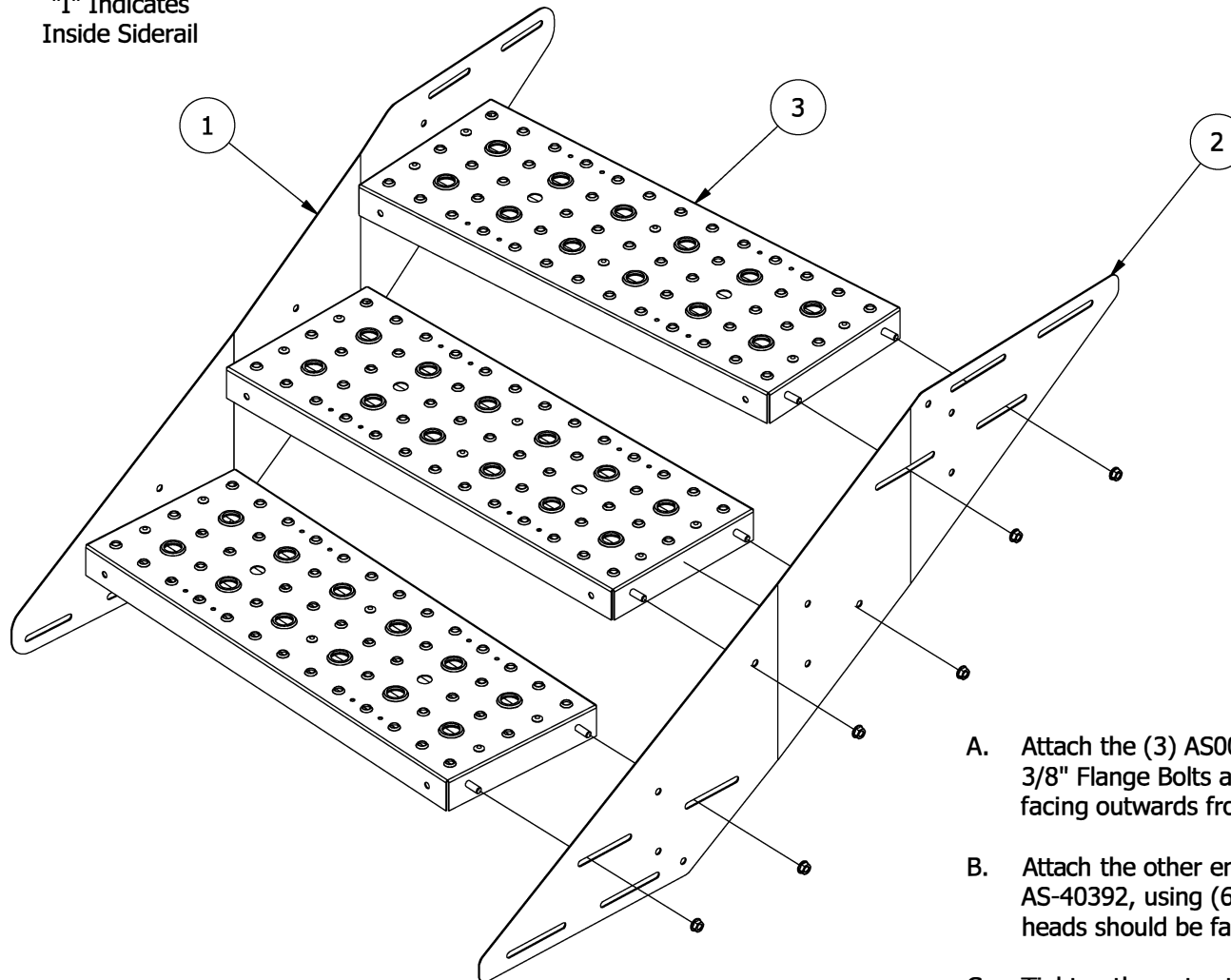
PARTS LIST			
ITEM	PART NUMBER	DESCRIPTION	QTY
1	AS-40391	Stringer, Inside, 39" Ring	1
2	AS-40392	Stringer, Outside, 39" Ring	1
3	AS00030	Tread 30 x 11 Step Assembly	3



"I" Indicates
Inside Siderail



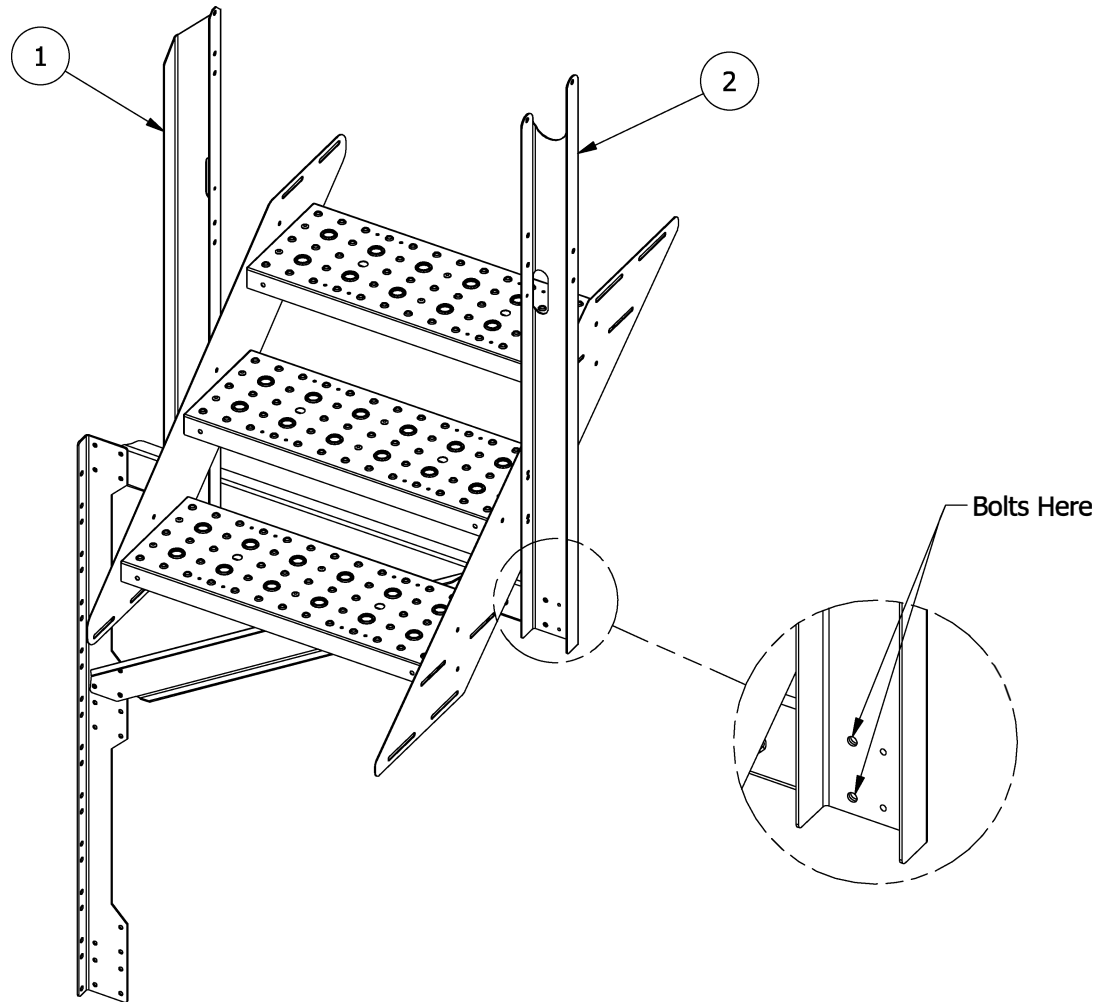
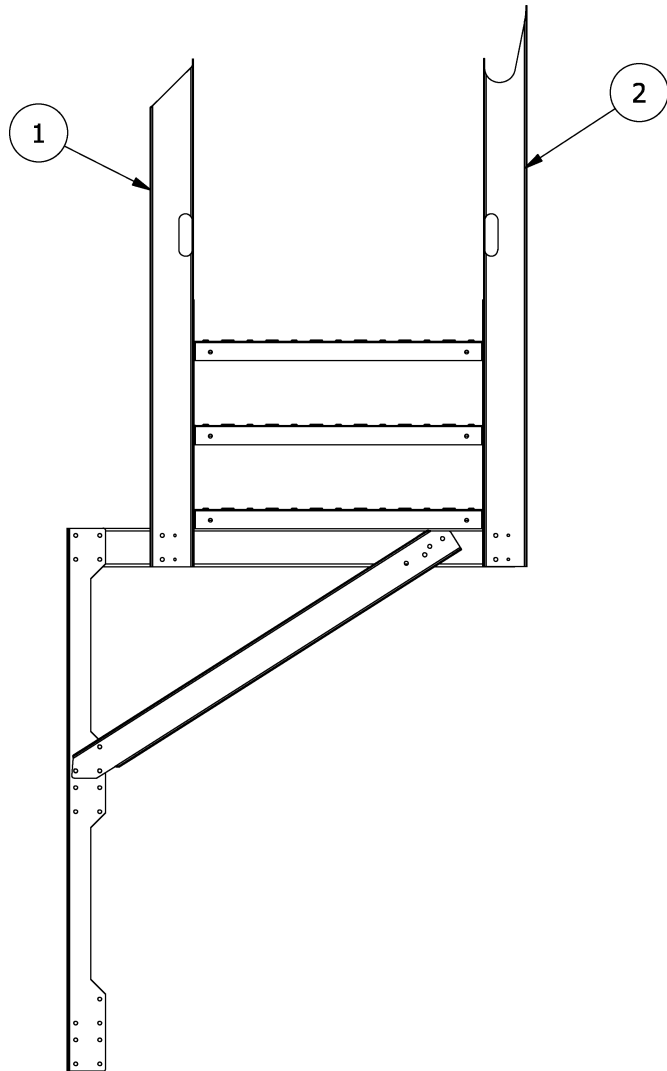
"O" Indicates
Outside Siderail



- A. Attach the (3) AS00030 stair treads to inside siderail AS-40391, using (6) 3/8" Flange Bolts and (6) 3/8" Lock Nuts. The bolt heads should be facing outwards from the assembly.
- B. Attach the other end of the (3) AS00030 stair treads to outside siderail AS-40392, using (6) 3/8" Flange Bolts and (6) 3/8" Lock Nuts. The bolt heads should be facing outwards from the assembly.
- C. Tighten the nuts attached to the center stair tread. Leave the other two stair treads loose for final adjustment on the bin.

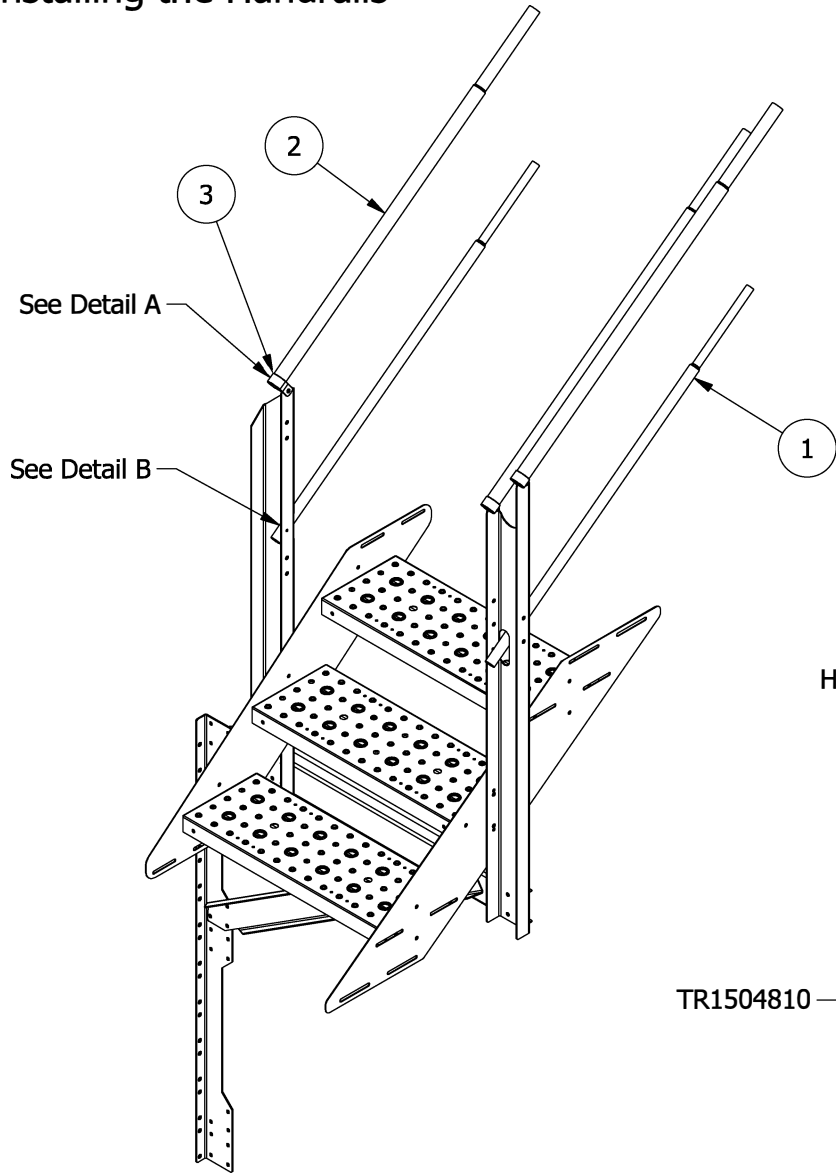
Attaching the Stair Posts

PARTS LIST			
ITEM	PART NUMBER	DESCRIPTION	QTY
1	AS-40005	Post, Inside Stair	1
2	AS-40006	Post, Stair Rail, Guard Rail Outside	1



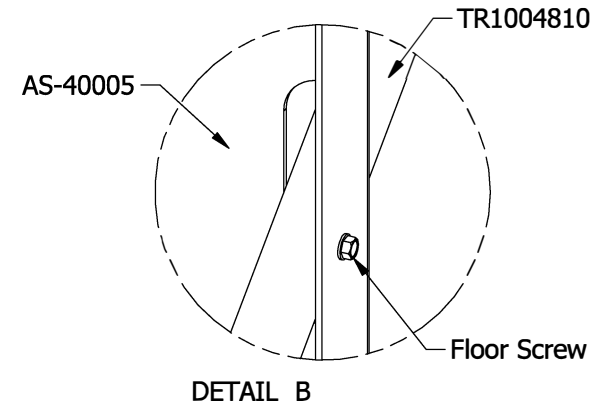
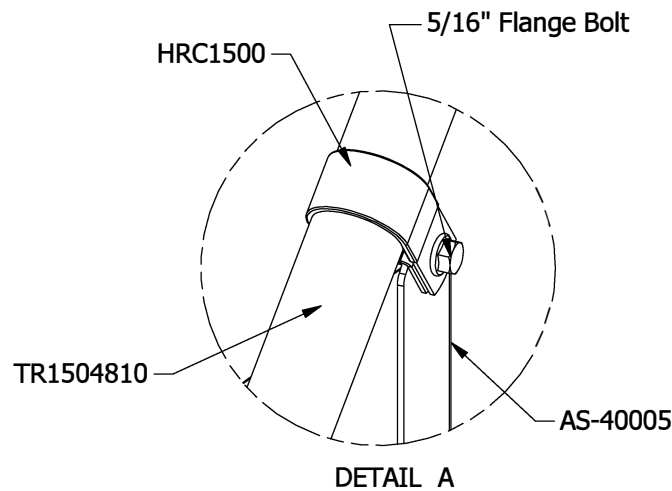
- A. Attach the inside stair post AS-40005 to the wall bracket as shown using (2) 3/8" Flange Bolts and Nuts.
- B. Set the stair section onto the inside stair post using (2) 3/8" Flange Bolts Nuts.
- C. Attach the outside stair post AS-40006 to the wall bracket as shown using (2) 3/8" Flange Bolts and Nuts.
- D. Attach the outside stair post to the stair section using (2) 3/8" Flange Bolts and Nuts.

Installing the Handrails



- A. Using (3) HRC1500 Handrail P-Clamps, secure the (3) TR1504810 1.5" Handrails to the posts as shown. The P-Clamps should be facing away from the posts; refer to Detail A.
- B. Secure the P-Clamps using (3) 5/16" Flange Bolts and Nuts. The bolts should be facing outwards, away from the stairs.
- C. Secure the (2) TR1004810 1.1" Handrails to the inside of the posts using (2) Floor Screws. Refer to Detail B.
- D. Using (3) Floor Screws, secure the 1.5" Handrails to the 1.5" P-Clamps, drilling through the underside of the P-Clamp.

See next page for detailed handrail clamp instructions.

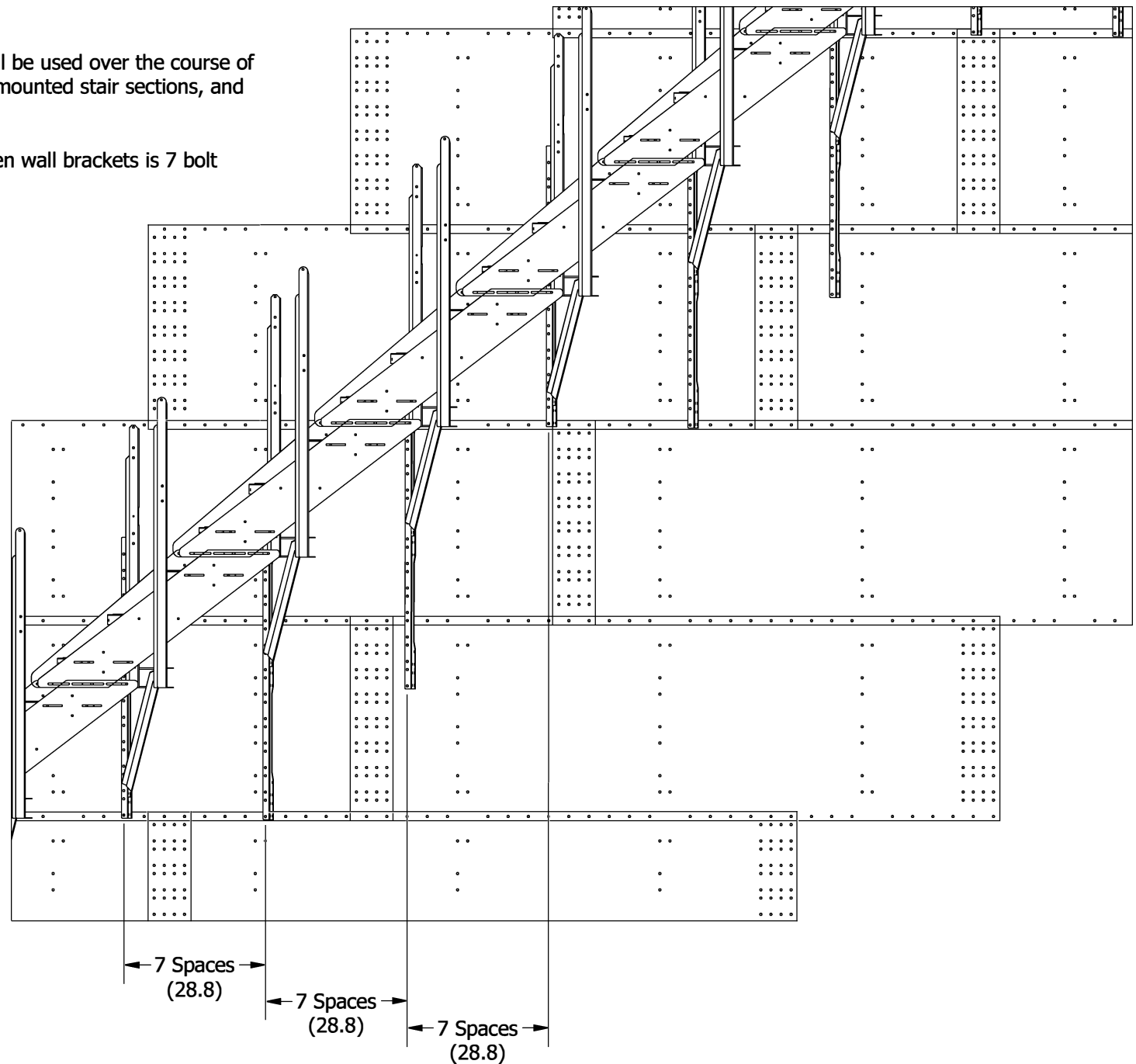


PARTS LIST			
ITEM	PART NUMBER	DESCRIPTION	QTY
1	TR1004810	48 in 1.00 Swaged Tubing 10" swage	2
2	TR1504810	48 in 1.50 Swaged Tubing 10" swage	3
3	HRC1500	Handrail Clamp for 1.5 in	3

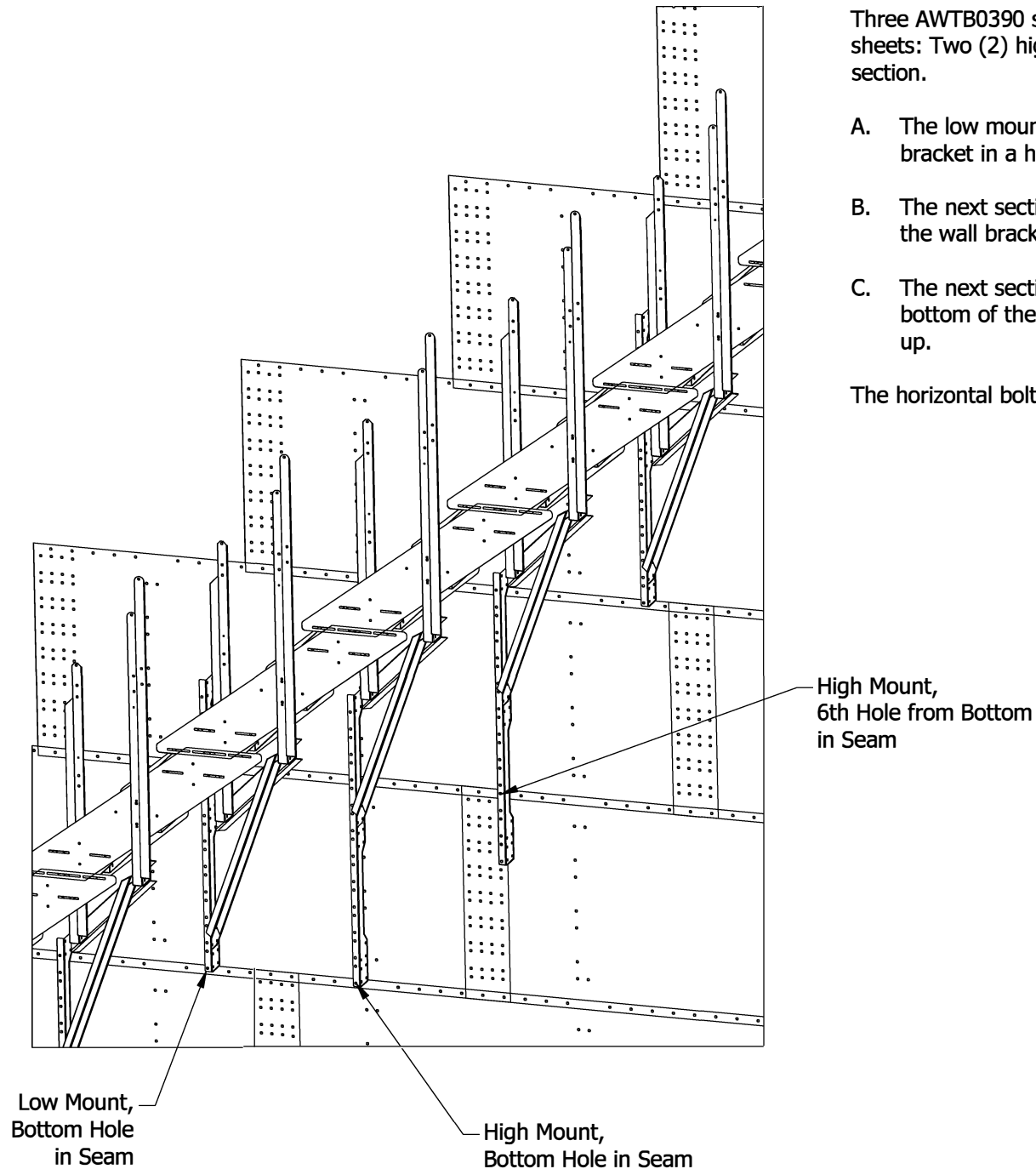
Stair Wall Bracket Spacing, Horizontal

Three AWTB0390 stair sections will be used over the course of two 39" bin sheets: Two (2) high-mounted stair sections, and one (1) low-mounted stair section.

The horizontal bolt spacing between wall brackets is 7 bolt spaces (28.8")



Stair Wall Bracket Spacing, Vertical

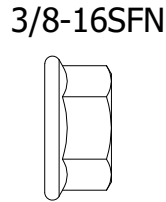
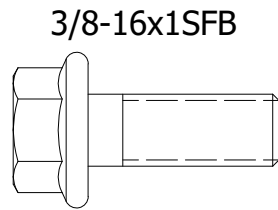
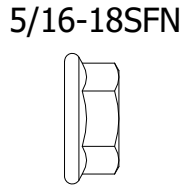
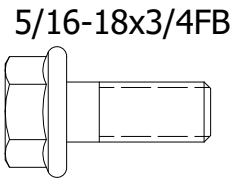
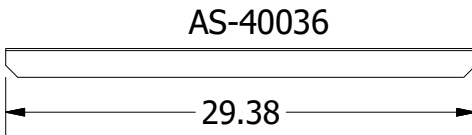
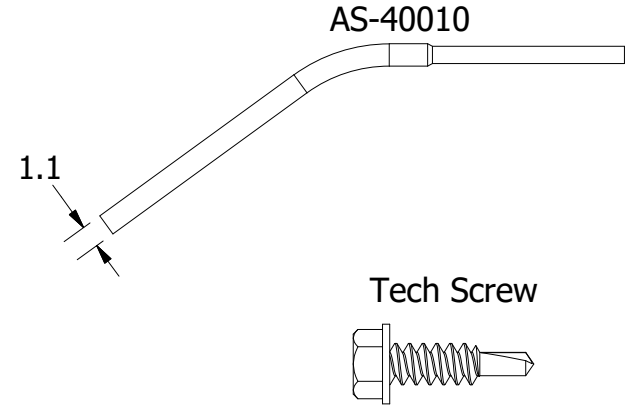
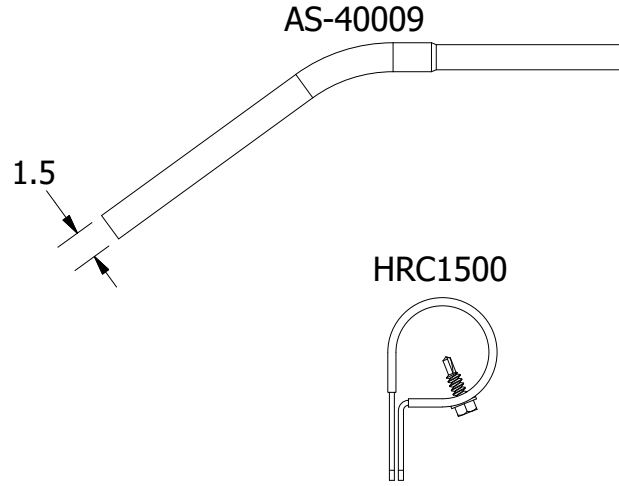
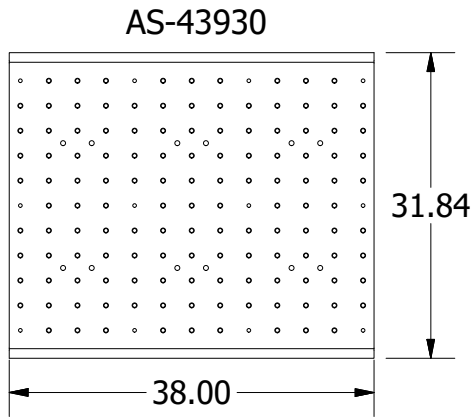


Three AWTB0390 stair sections will be used over the course of two 39" bin sheets: Two (2) high-mounted stair sections, and one (1) low-mounted stair section.

- A. The low mount section is mounted with the bottom bolt of the wall bracket in a horizontal seam.
- B. The next section up will be a high mount with the bottom bolt of the the wall bracket in the same horizontal seam.
- C. The next section up will be a high mount with the 6th bolt from the bottom of the wall bracket in the horizontal seam of the next bin sheet up.

The horizontal bolt spacing between wall brackets is 7 bolt spaces (28.8")

A-Series Rest Landing Parts List



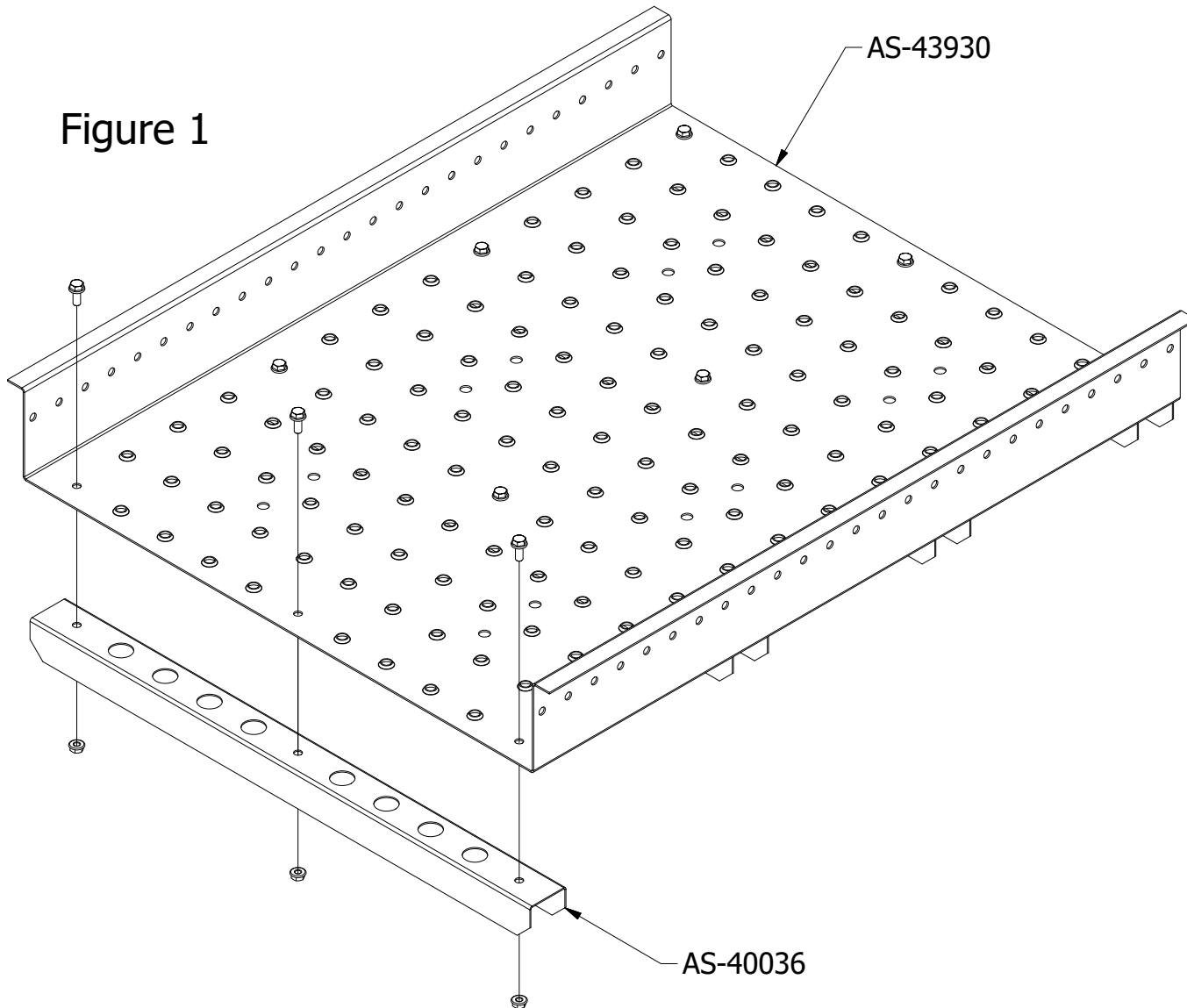
PARTS LIST		
PART NUMBER	DESCRIPTION	QTY
3/8-16x1SFB	3/8"-16 x 1" Flange Bolt	8
3/8-16SFN	3/8"-16 Whiz Lock Nut	8
AS-43930	Tread, Landing Skin	1
AS-40036	Channel Landing Support	4
Floor Bolt	Floor Bolt	12
5/16-18x3/4FB	5/16"-18 x 13/4" Flange Bolt	18
5/16-18SFN	5/16"-18 Whiz Lock Nut	18
HRC1500	1.5" Handrail Clamp	6
AS-40009	1.5" Rest Landing Swivel Elbow	6
AS-40010	1" Rest Landing Swivel Elbow	4
Tech Screw	Self-tapping screw	14

Step 1

- A. Assemble the rest landing deck by attaching the four AS-40036 support channels to the underside of AS-40030 landing skin.
- B. Fix the supports to the platform skin by using twelve (12) floor bolts and twelve (12) floor nuts.

PARTS USED IN STEP 1		
PART NUMBER	DESCRIPTION	QTY
AS-43930	Tread, Landing Skin	1
AS-40036	Channel Landing Support	4
Floor Bolt	Floor Bolt	12
Floor Nut	Hex Flange Nut	12

Figure 1



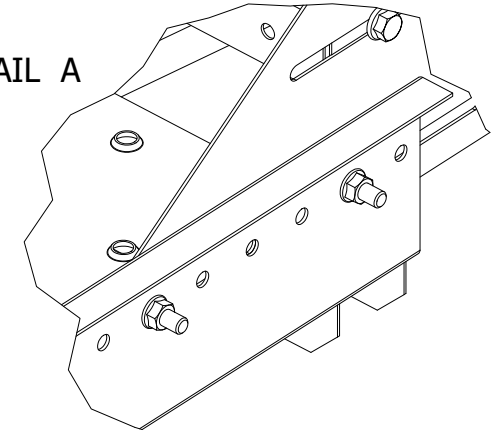
Step 2

On a rest landing assembly, two stair brackets will be 5 bolt spaces apart.

- A. Using eight (8) 3/8" Flange Bolts and eight (8) 3/8" Lock Nuts, secure the platform to the two stair sections.
- B. The bolt heads should be facing inwards, so as not to interfere with the walkway.
- C. Ensure that the platform has a minimum of 30" (762 mm) clear length between the front of the platform and the nose of the higher step.

PARTS USED IN STEP 2		
PART NUMBER	DESCRIPTION	QTY
3/8-16x1SFB	3/8"-16 x 1" Flange Bolt	8
3/8-16SFN	3/8"-16 Whiz Lock Nut	8

DETAIL A



DETAIL B

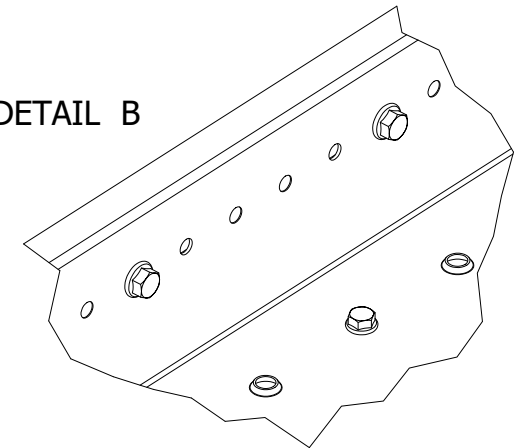
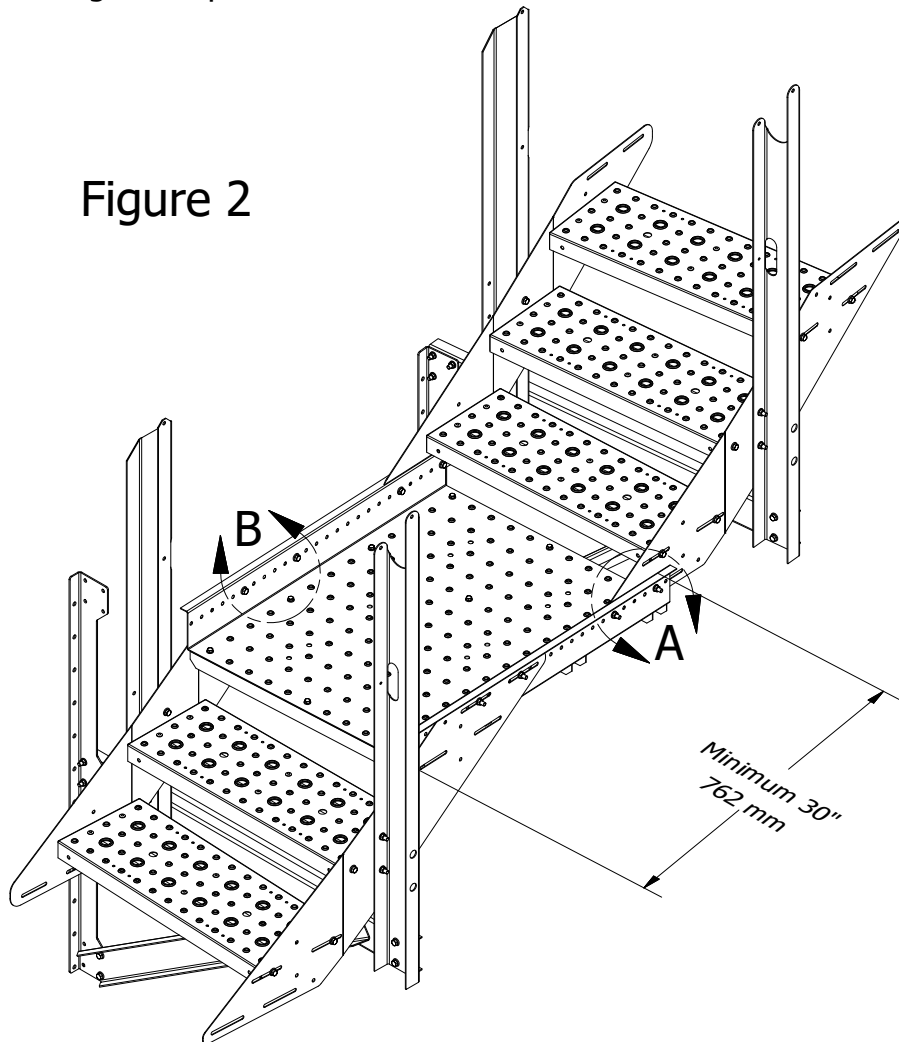
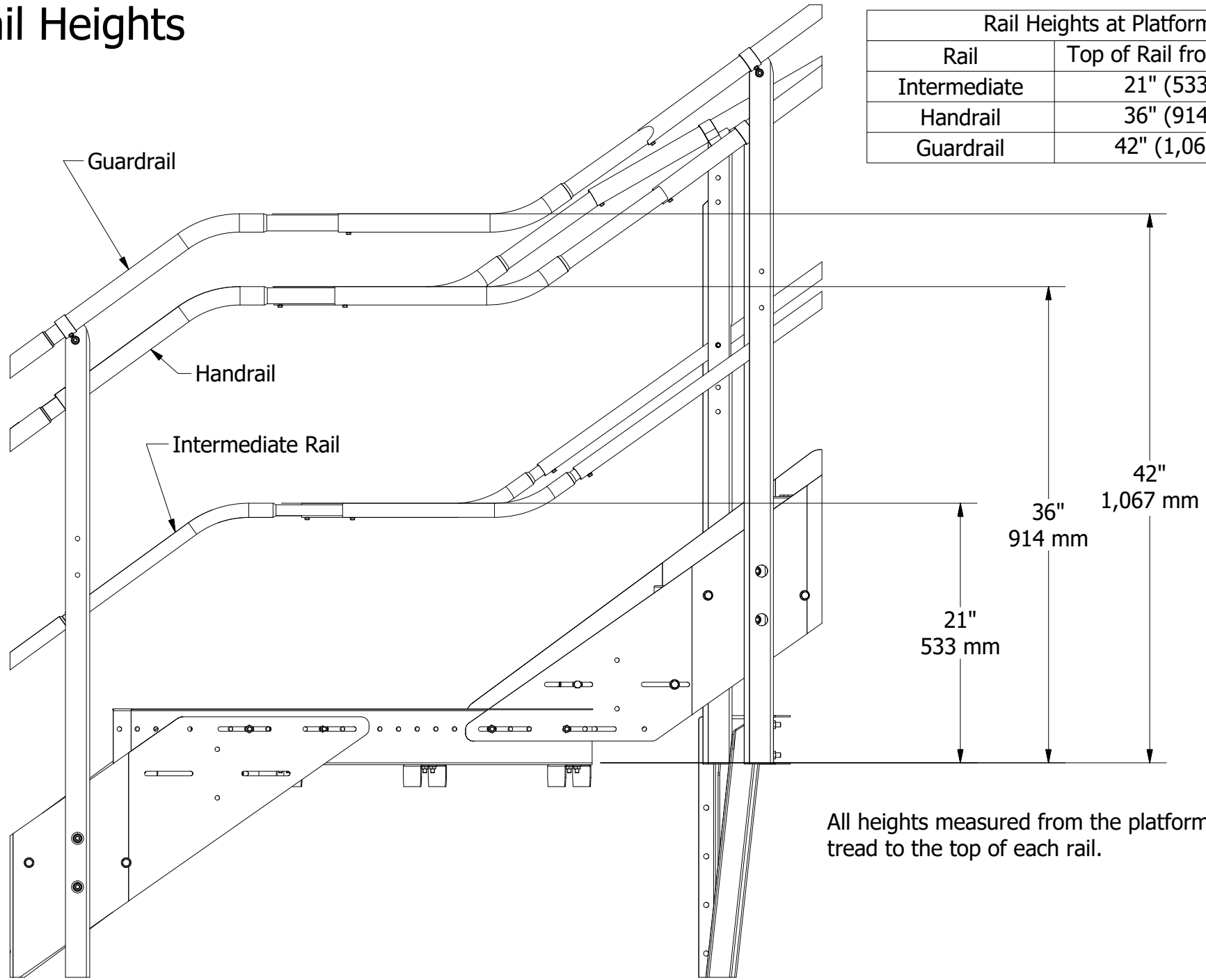


Figure 2



Rail Heights

Rail Heights at Platform	
Rail	Top of Rail from Walkway
Intermediate	21" (533 mm)
Handrail	36" (914 mm)
Guardrail	42" (1,067 mm)



All heights measured from the platform tread to the top of each rail.

Step 3

- A. Take six (6) HRC handrail clamps, and position them on the posts as shown in Figure 3.
- B. Place three (3) AS-40009 pipe rails in the bottom post HRC1500 clamps. Using one (1) 5/16" Flange Bolt and one (1) 5/16" Lock Nut on each clamp, tighten the nut to where the threads are engaging the nut slightly. The AS-40009 handrail pipe should still be adjustable at this point.
- C. Ensure the AS-40009 pipe rails are level, and tighten into the HRC1500 clamps.
- D. Place the next three (3) AS-40009 pipes at the end of the first set of AS-40009 pipes. These will hang loosely until the next step.
- E. Using two (2) Tech Screws, secure two (2) AS-40010 pipe rails into the open pocket of each post. A small guide hole in the post is where the screw should enter through.
- F. Place the next two (2) AS-40010 pipe rails at the ends of the first AS-40010 pipes. These will hang loosely until the next step.

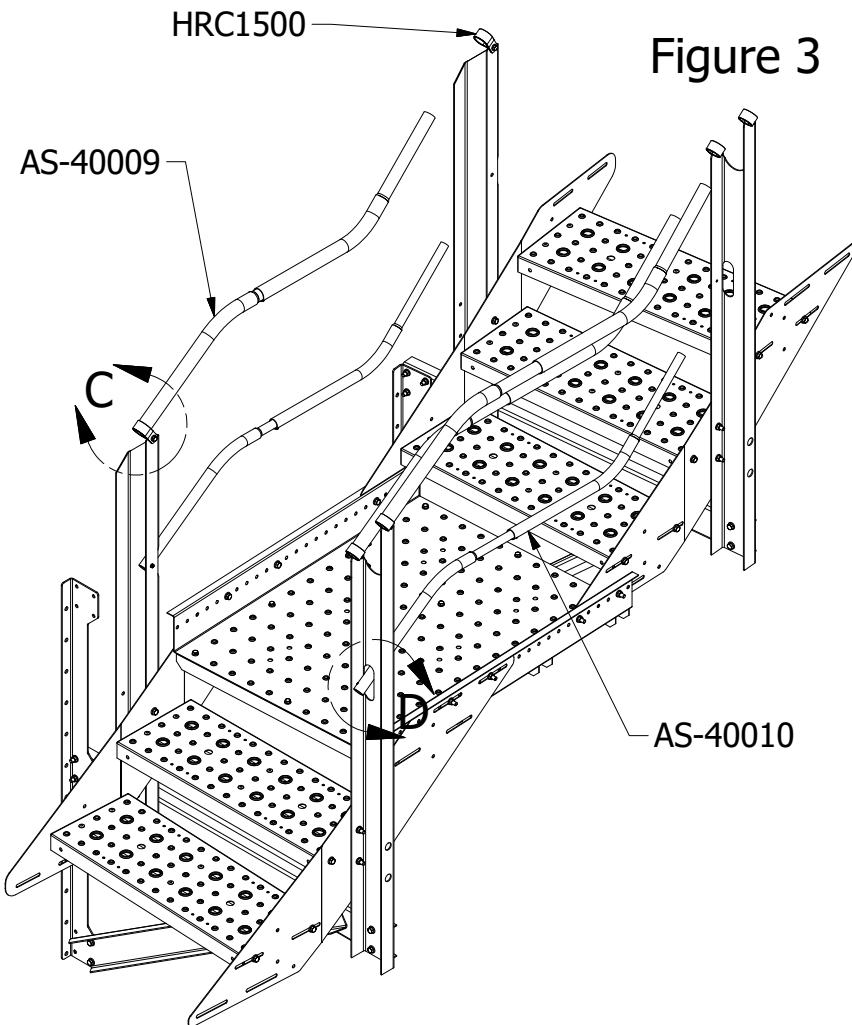
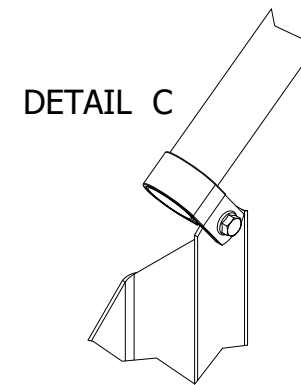
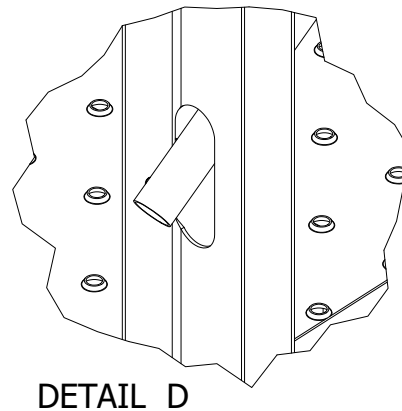


Figure 3

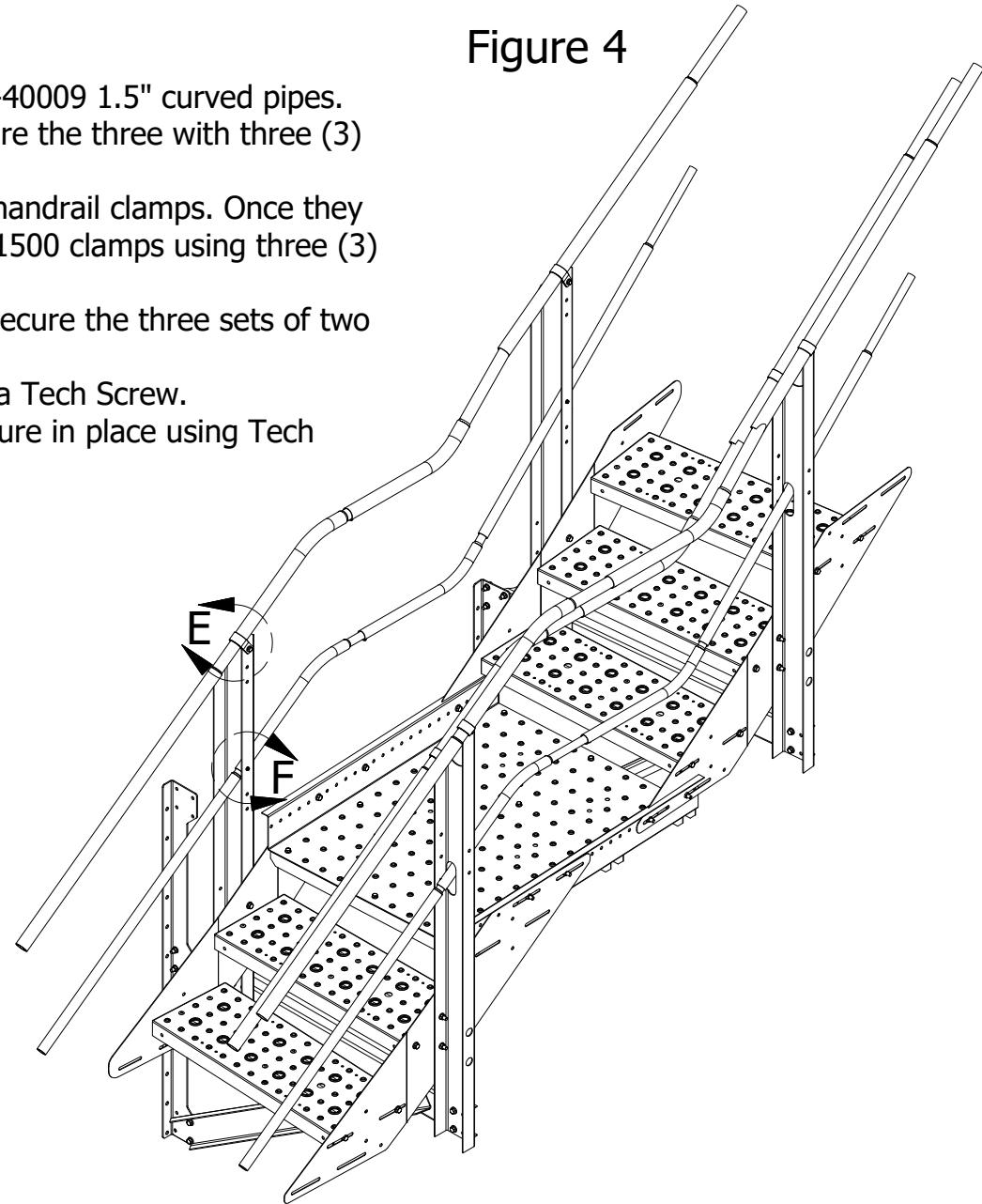
PARTS USED IN STEP 3		
PART NUMBER	DESCRIPTION	QTY
5/16-18x3/4FB	5/16"-18 x 13/4" Flange Bolt	18
5/16-18SFN	5/16"-18 Whiz Lock Nut	18
HRC1500	1.5" Handrail Clamp	6
AS-40009	1.5" Rest Landing Swivel Elbow	6
AS-40010	1" Rest Landing Swivel Elbow	4
Tech Screw	Self-tapping screw	7



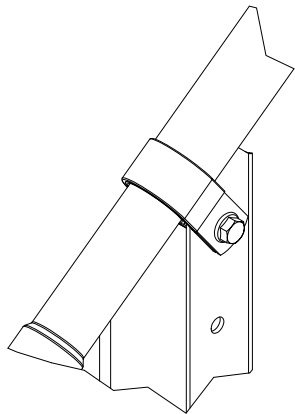
Step 4

- A. Using six (6) TR1504810 handrails, connect them to the AS-40009 1.5" curved pipes.
- B. Once the lower set is in position, as shown in Figure 4, secure the three with three (3) Tech Screws through the HRC1500 handrail clamp.
- C. The upper set will be inserted through the upper HRC1500 handrail clamps. Once they are in position, secure the TR1504810 handrails to the HRC1500 clamps using three (3) Tech Screws.
- D. After ensuring that no further adjustment will be required, secure the three sets of two AS-40009 pipe bends together using a Tech Screw in each.
- E. Secure each upper AS-40009 to each TR1504810 rail using a Tech Screw.
- F. Repeat Steps A-E for the AS-40010 and TR104810 rails. Secure in place using Tech Screws.

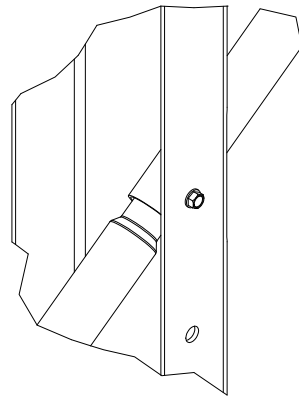
Figure 4



Rail Heights at Platform	
Rail	Top of Rail from Walkway
Intermediate	21" (533 mm)
Handrail	36" (914 mm)
Guardrail	42" (1,067 mm)



DETAIL E



DETAIL F

PARTS USED IN STEP 4

PART NUMBER	DESCRIPTION	QTY
Tech Screw	Self-tapping screw	14
TR1504810	1.5" Handrail, 48" length	6
TR1004810	1" Handrail, 48" length	4

AWTB0391

Termination Section for use on Odd-ring Bins

Odd-Ring 39" Bin & Bolt Spacing

7 (Top ring)

6

5

4

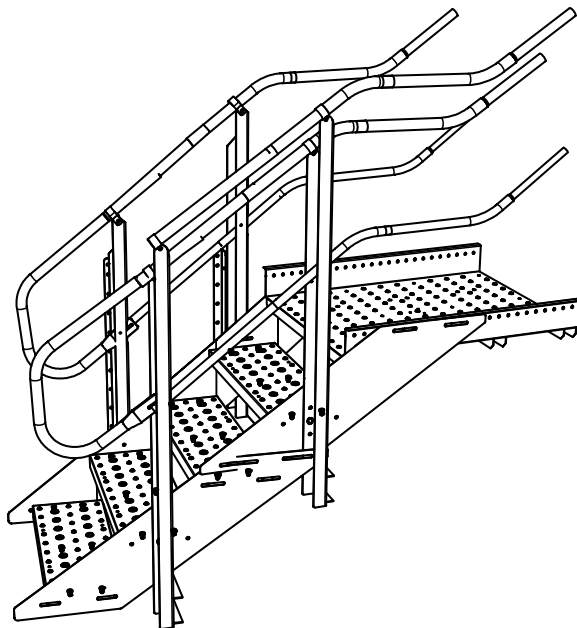
3

2

1



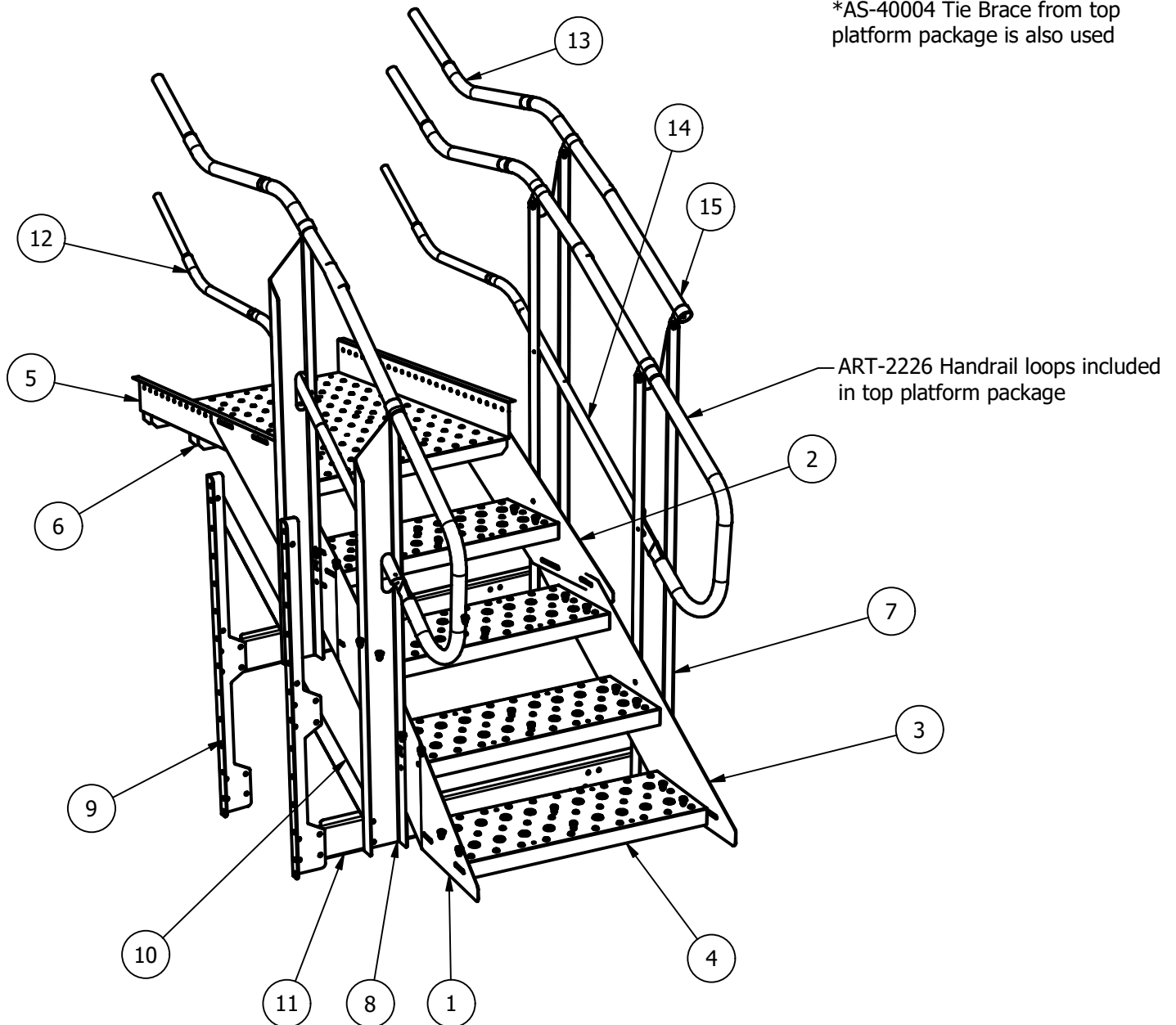
AWTB0391 Termination Section



AWTB0391 Component Breakdown

PARTS LIST			
ITEM	QTY	PART NUMBER	DESCRIPTION
1	1	AS-39045	39 Stringer, Inside, 5 Step
2	1	AS-39047	39 Stringer, Outside, 2 Step
3	1	AS-39048	39 Stringer, Outside, 3 Step
4	4	AS00030	Tread Step 30 x 11
5	1	AS-43930	Tread, Landing Skin
6	4	AS-40036	Channel Landing Support
7	2	AS-40395	Post, Stair Rail, Guard Rail Outside
8	2	AS-40396	Post, Inside Stair
9	2	AS-40394	Wall Bracket
10	1	AS-40004	Bracket, Tie Brace*
11	2	AS-40002	Channel, Crossbar, Stair
12	4	AS-40010	1 in Railing, Rest Landing Swivel Elbow
13	6	AS-40009	1.5 Railing, Rest Landing Swivel Elbow
14	2	TR1003106	1" Midrail, 31" with 6" swedge
15	3	TR1503106	1.5" Railing, 31" with 6" swedge

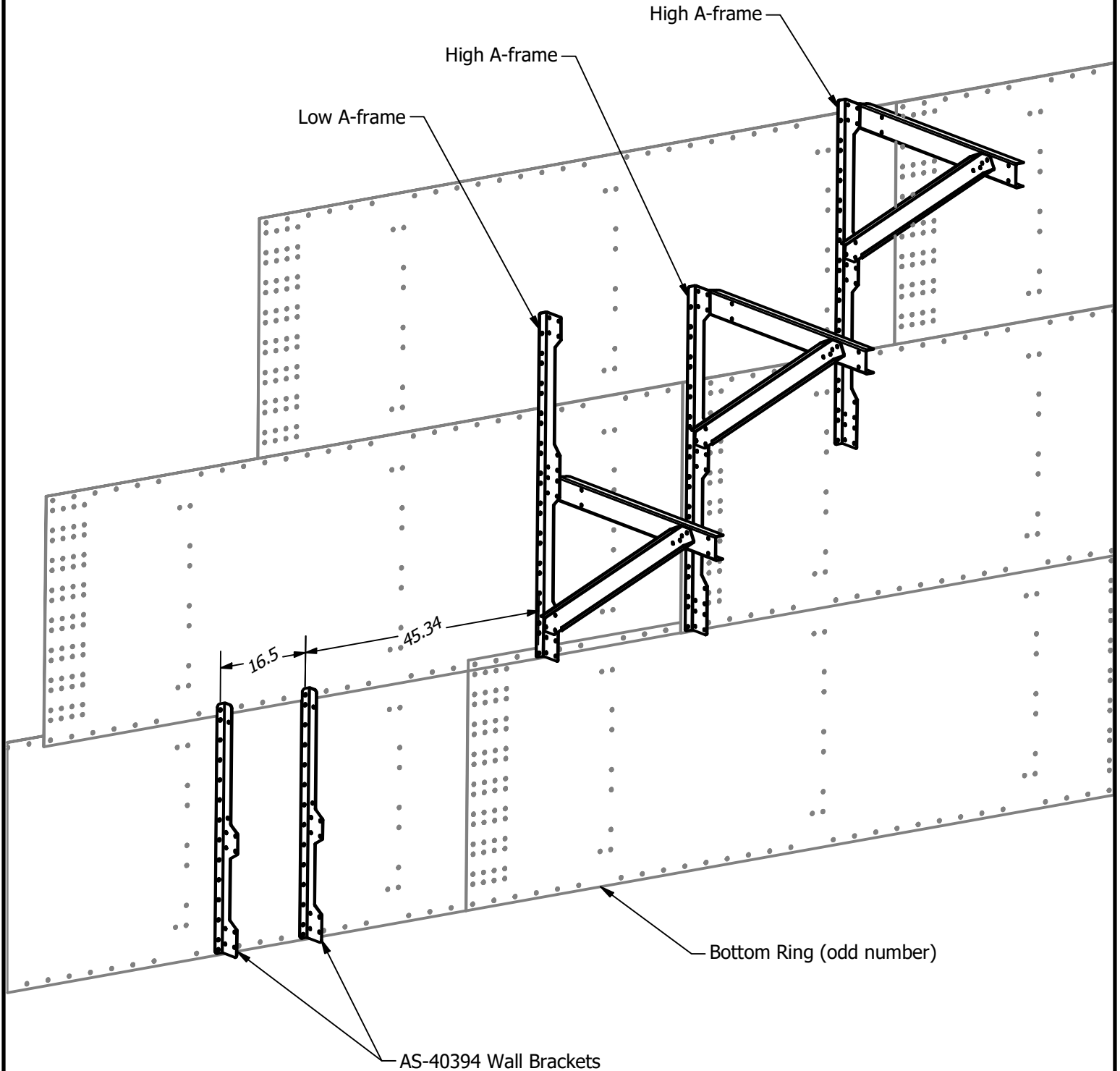
*AS-40004 Tie Brace from top platform package is also used



Attach Bottom Wall Brackets

Use the standard high-high-low A-frame layout until the second from the bottom seam is reached.

To locate the bottom wall brackets, count 12 bolt spaces (45.34 inches) and then place the AS-40394 Wall Brackets 4 bolt spaces apart (16.5 inches). They attach to the bin sheet seams as shown.



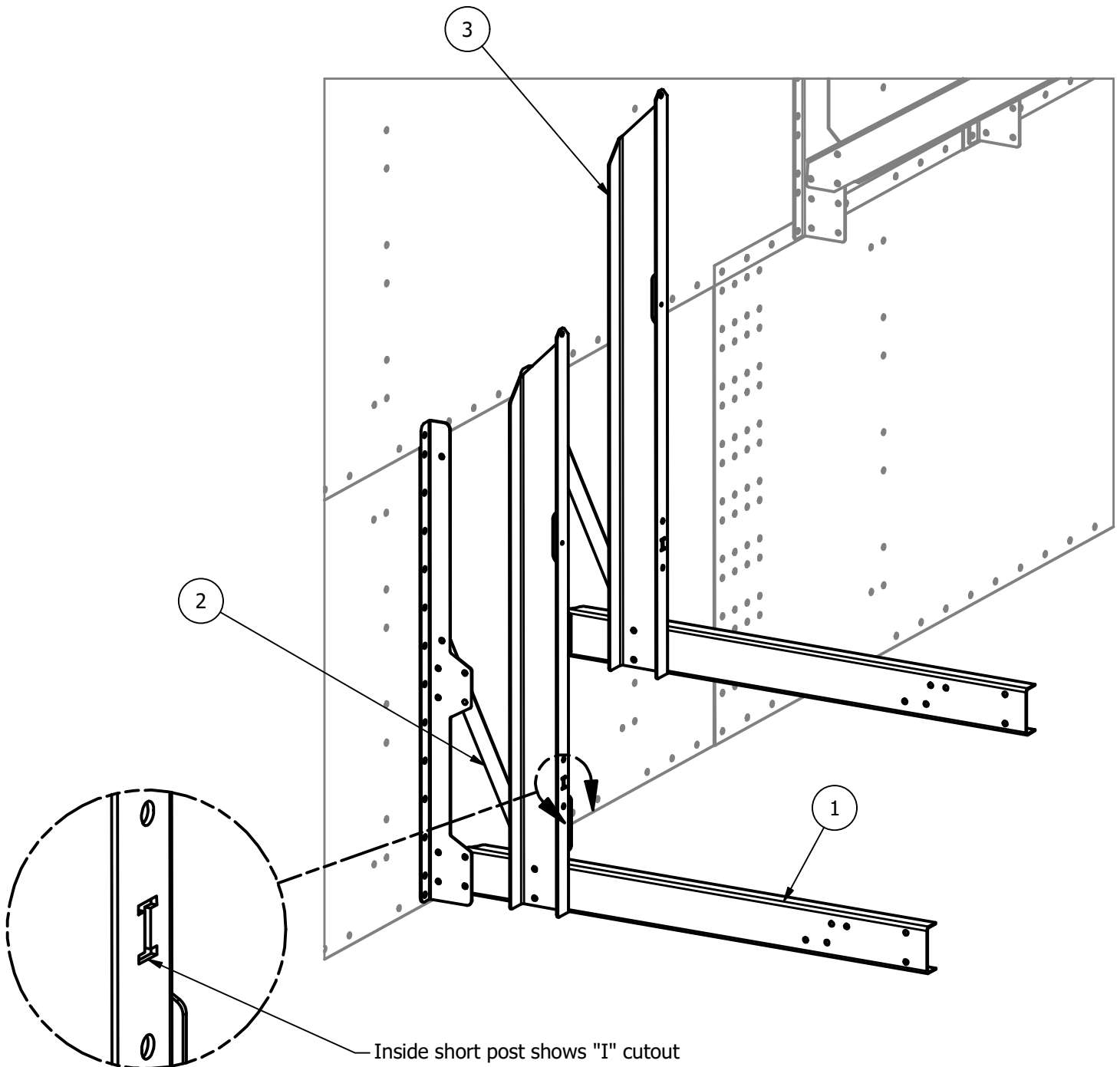
Bottom A-frames & Inside Post

PARTS LIST

ITEM	QTY	PART NUMBER	DESCRIPTION
1	5	AS-40002	Channel, Crossbar, Stair
2	2	AS-40004	Bracket, Tie Brace
3	2	AS-40396	Post, Inside, Bottom Section

Build bottom A-frames as shown below. The tie brace should be placed between the vertical inside post and the horizontal crossbar.

The slotted end points up and attaches to the wall bracket.



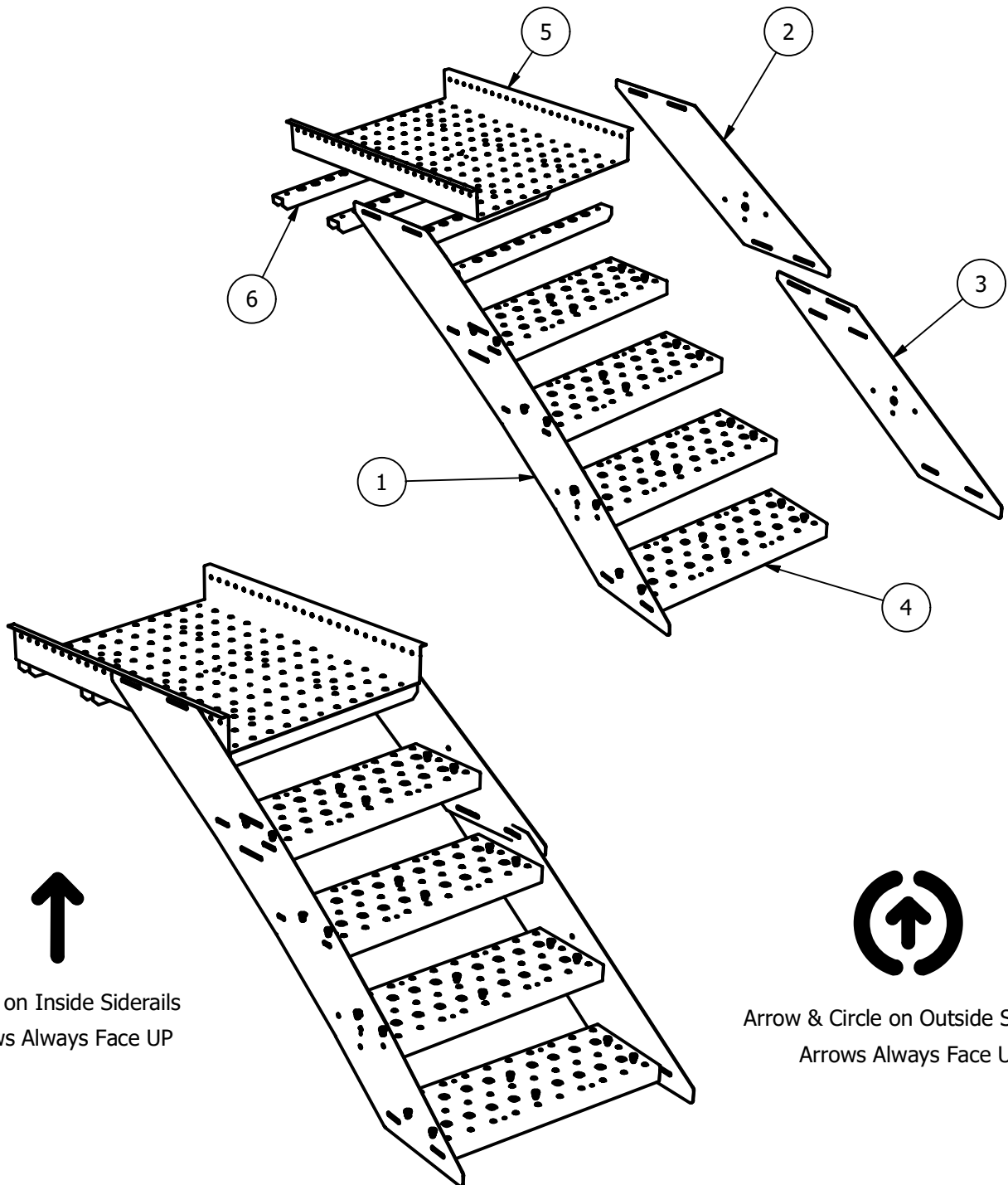
Assemble Stair Run

PARTS LIST			
ITEM	QTY	PART NUMBER	DESCRIPTION
1	1	AS-39045	39 Stringer, Inside, 5 Step
2	1	AS-39047	39 Stringer, Outside, 2 Step
3	1	AS-39048	39 Stringer, Outside, 3 Step
4	4	AS00030	Tread Step 30 x 11
5	1	AS-43930	Tread, Landing Skin
6	4	AS-40036	Channel Landing Support

Build the stair section as shown below.

The example shows a counter-clockwise winding with the inside siderail on the left.
For stairs winding clockwise, place the inside siderail on the right.

Position the transition platform tray above the 4th step with the slots in the top of the siderails



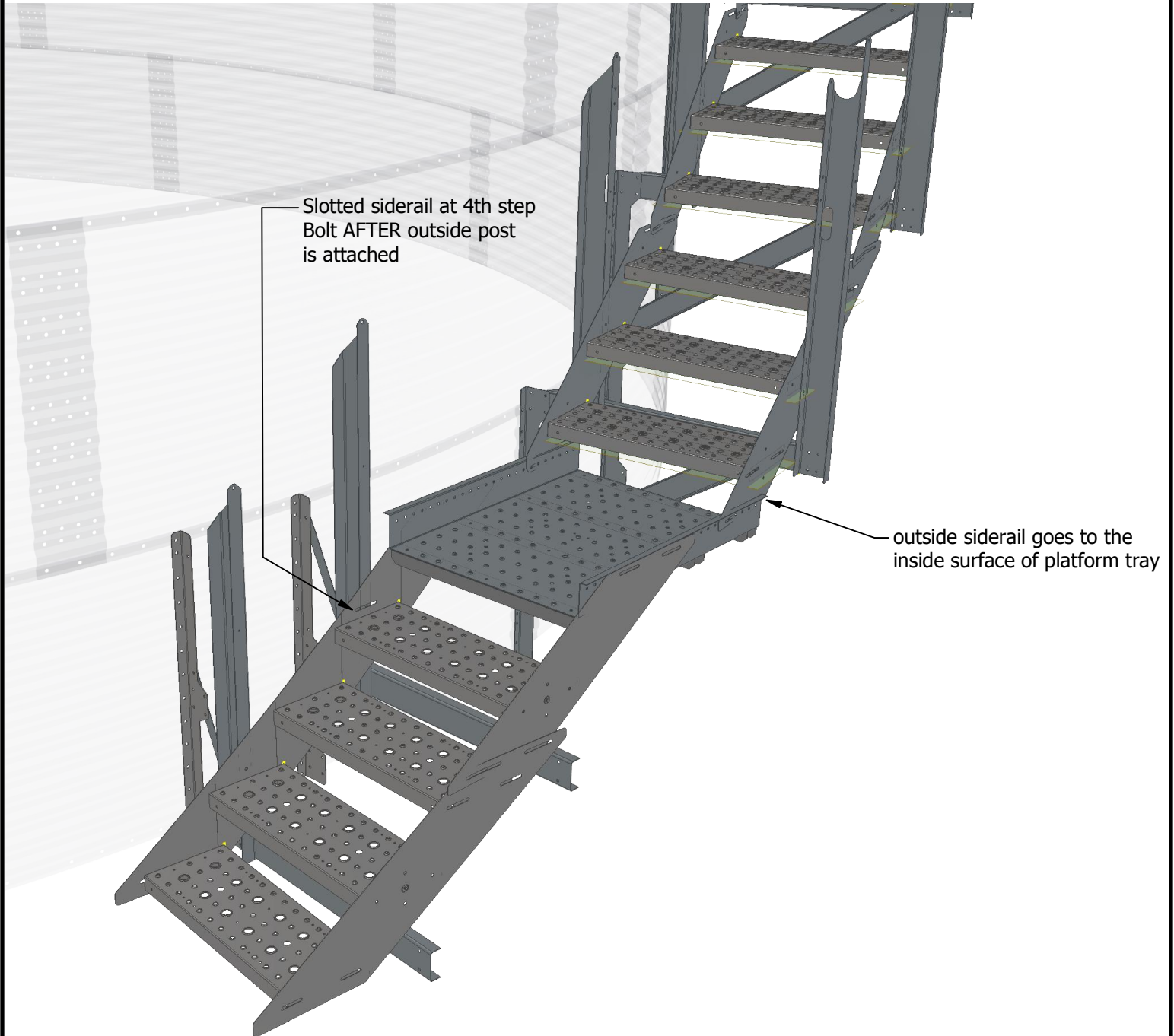
Arrow on Inside Siderails
Arrows Always Face UP

Arrow & Circle on Outside Siderails
Arrows Always Face UP

Connect Bottom Stair Run

Mount the assembled stair section to the Inside Posts as shown.
Direct the siderails of the waiting 3-step stair section to the inside surfaces of the platform tray walls.
Use the slots along the bottom of the siderails to position the tray.

Use the slots at the 4th step of the bottom section to angle the A-frame for the outside post (next step).



Outside Posts & Railing

Attach Outside Posts to crossbars and outside siderails as shown.
The upper inside post should be left loose until step placement is finalized.

Assemble handrails and midrails as shown. Attach P-clamps to the top of the inside and outside posts, angle them to match the stair run. Use the handrail loops from the top platform package to finish the handrail.

All swaged ends point up. Space the bent sections such that they tie in with the handrail & midrail as it continues up the stair run.

