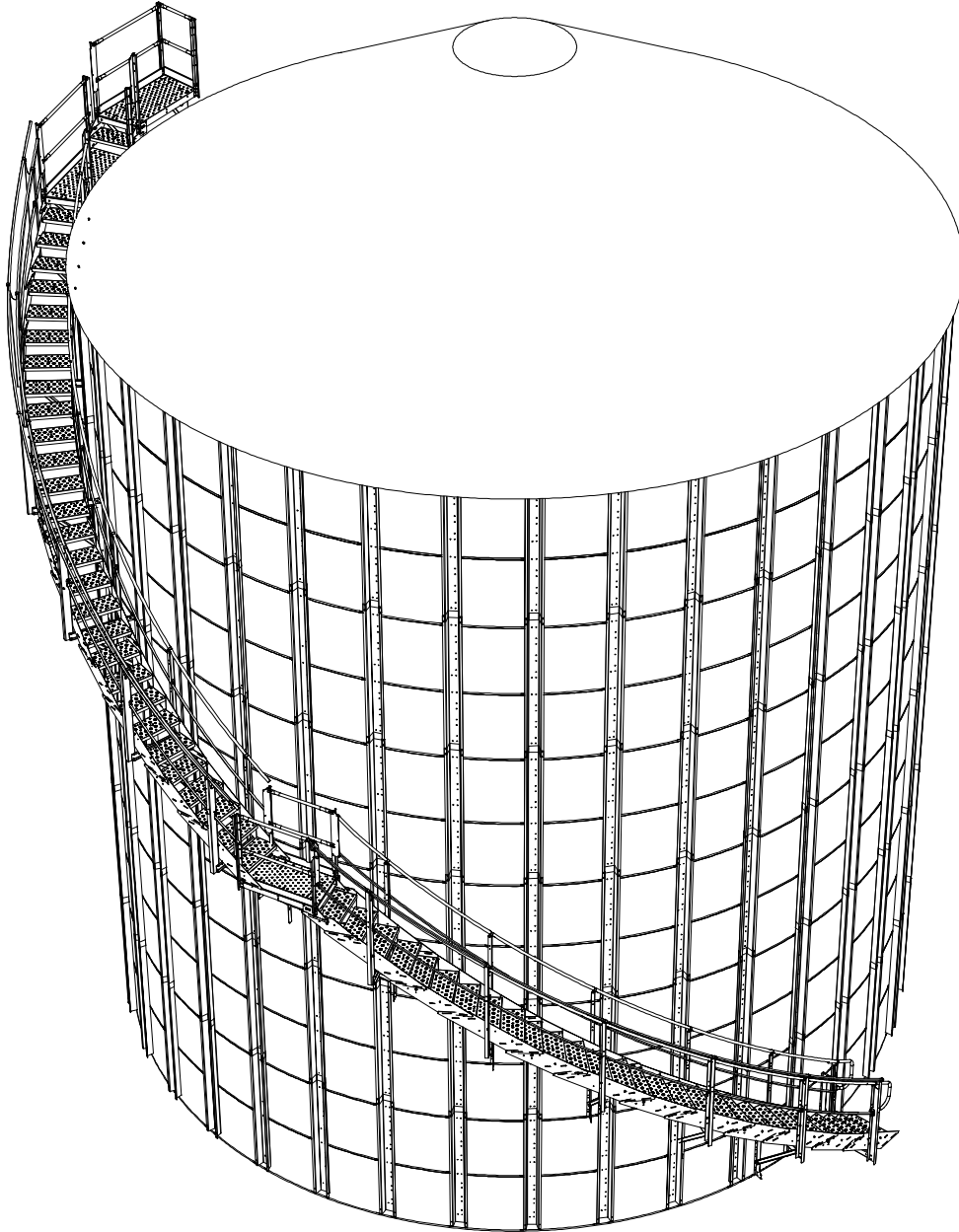


C-Series Sidewall Stairs

39" Commercial Duty Assembly Instructions & Parts Reference

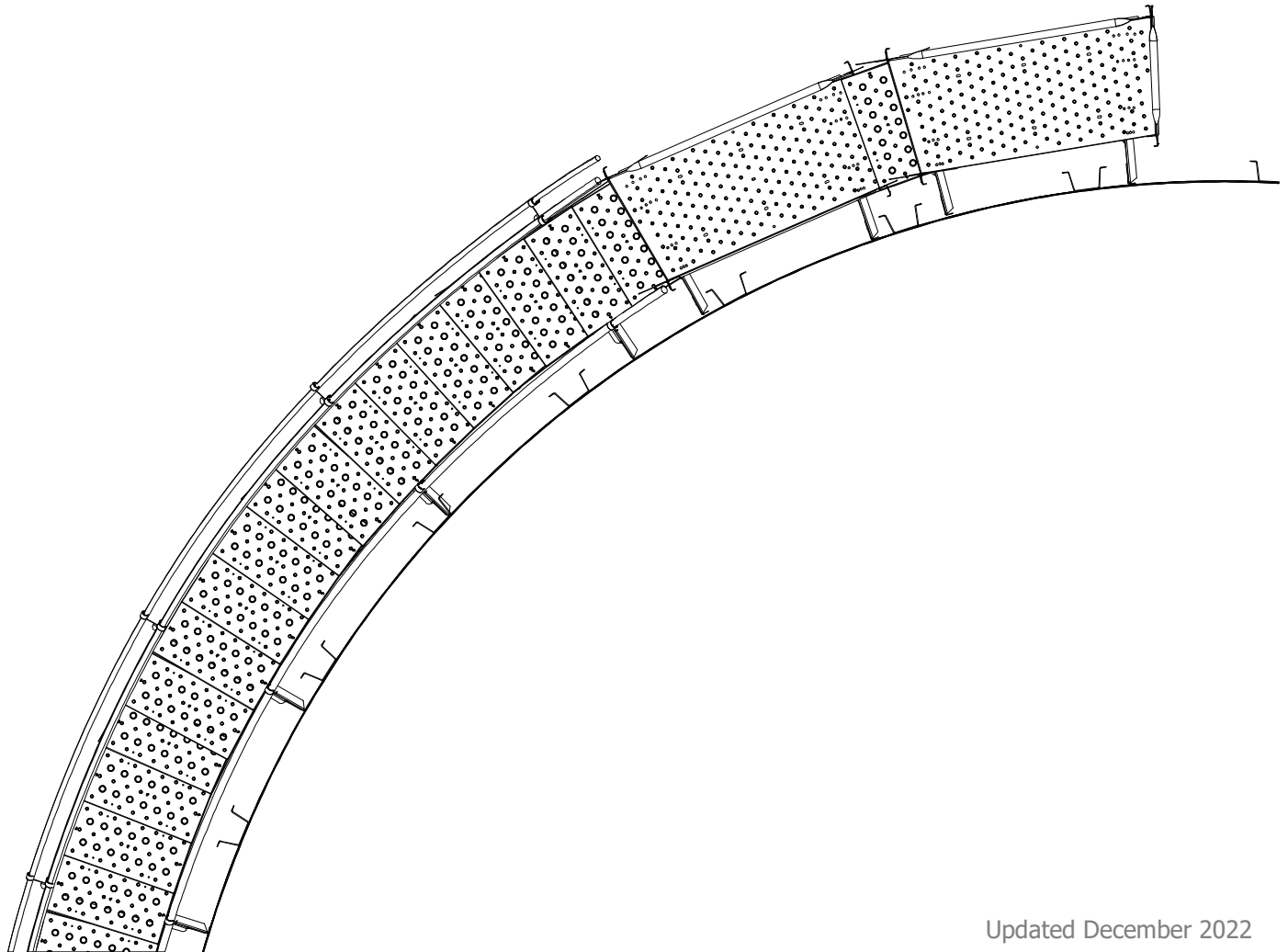
CC3900



C-Series Sidewall Stairs
39.37" Commercial System

Document Guide

Wall Bracket Layout.....4
Position Guide.....6
Eave Platform Layouts.....7
Top Platforms: Roof Access Platform.....10
Top Platforms: Manhole Access Platform.....18
Stair Run: split 4-step.....20
Stair Run: 5-step.....25
Rest Landing Platform.....28
Stair Run: 4-step.....30
Stair Run: Bottom Section.....35
Handrail Guides.....37

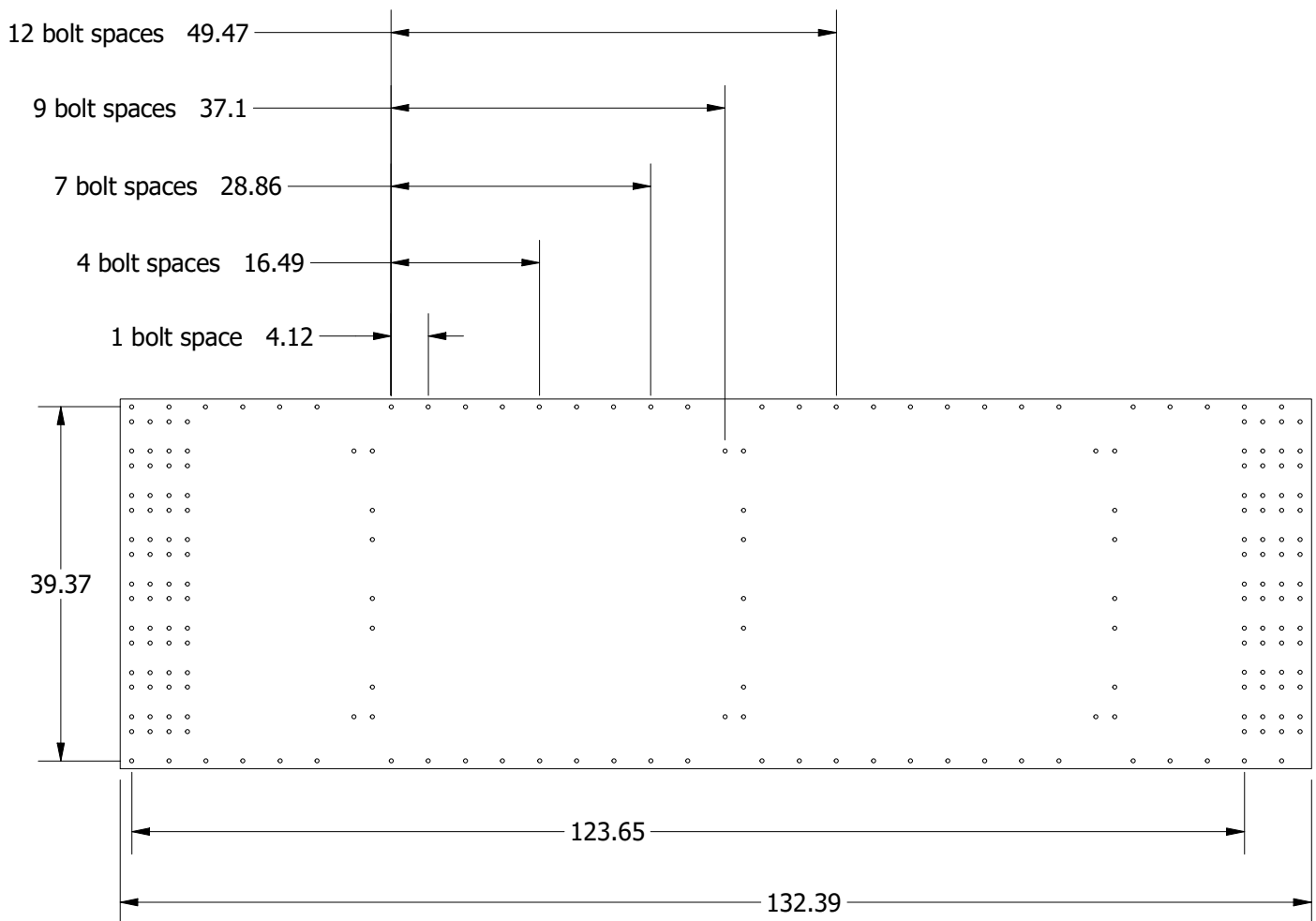


Updated December 2022

39" Bin Sheet Bolt Spacing

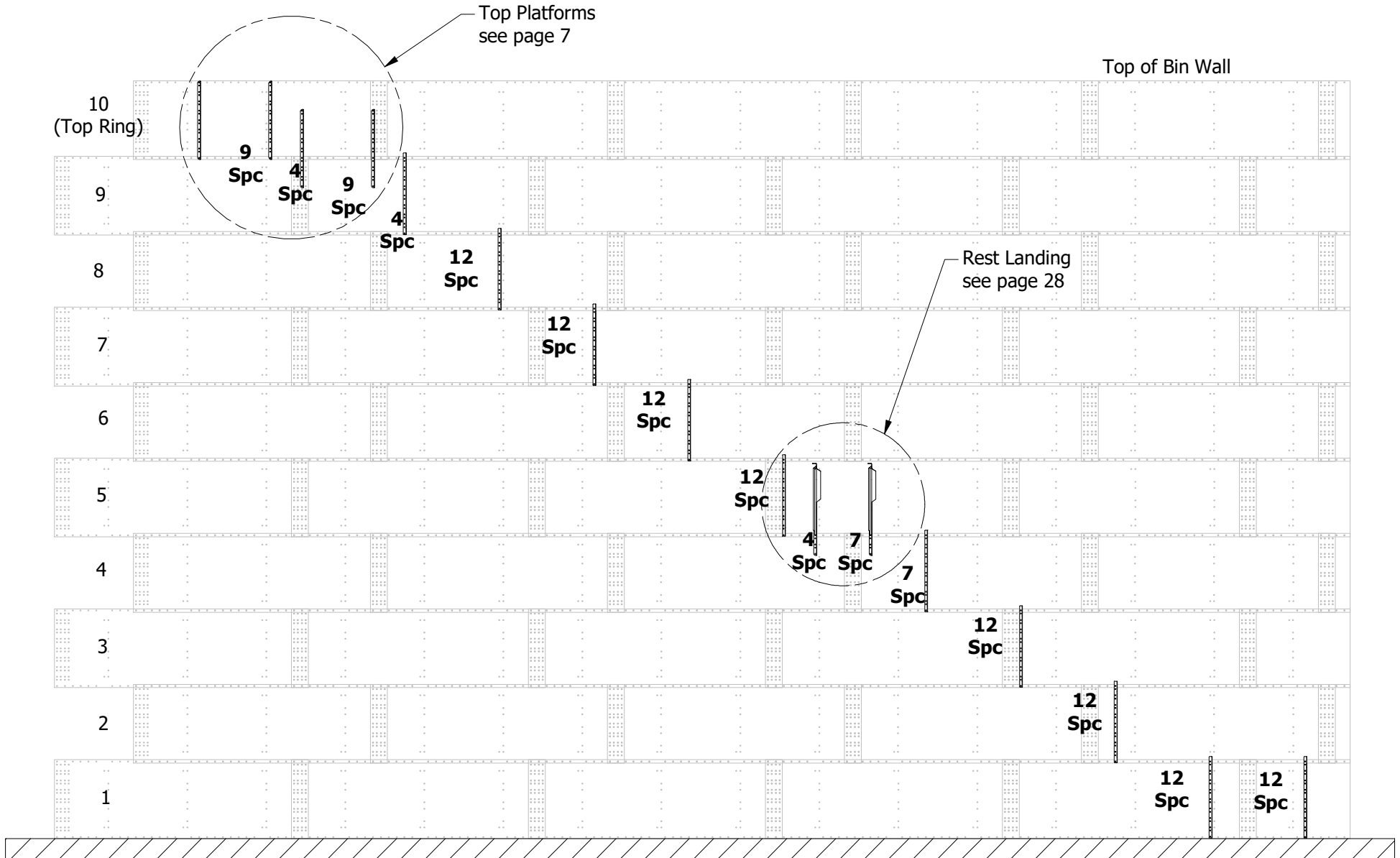
A standard 39" bin sheet is shown below. Wall bracket placement is marked by "Bolt Spaces" throughout these instructions. On a 39" sheet, a bolt space is equal to 4.125 inches.

Use this page to convert distances given in bolt spaces to inches. Example: 12 SPC = 49.5"
Correct spacing between wall brackets is crucial for proper stair assembly.



39" Bin Sheet
(1 Sheet = 30 bolt spaces)

**C-Series Commercial 39" Sidewall Stairs,
10-Ring Bin Example**



Overall Stair Run Distance along the bin wall can be determined using this formula:

Bolt Spaces: 14 + 12 per ring + 6 per rest landing = Total Bolt Spaces

Linear Feet = Total bolt spaces/2.91

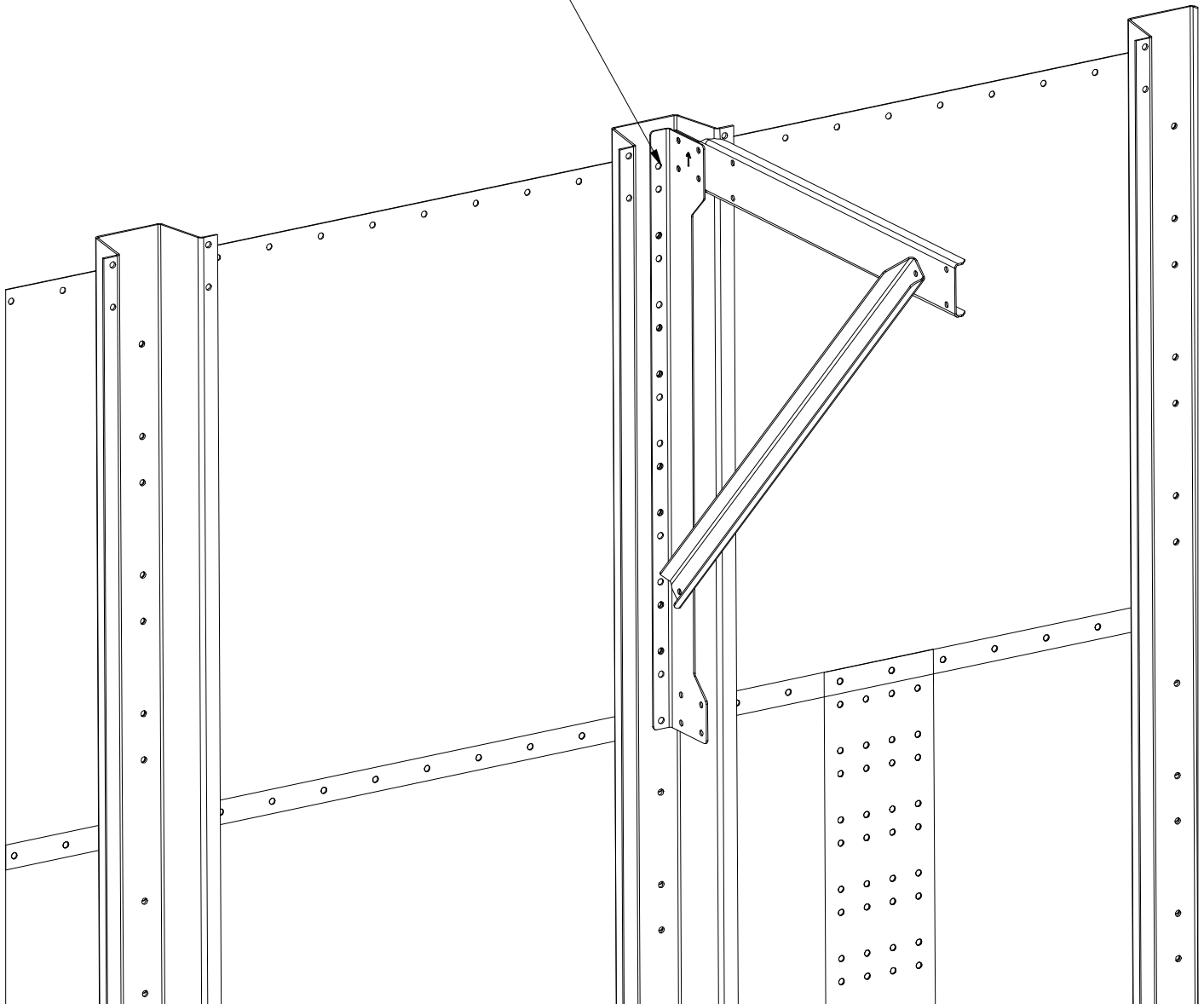
Bin Sheets = Total bolt spaces/30

39" Outside Stiffener Accommodation

Standard wall bracket layout may be interrupted by the use of exterior stiffeners
If the bracket lands on an occupied bolt hole, it is recommended to nest the wall bracket in the stiffener valley to utilize existing holes

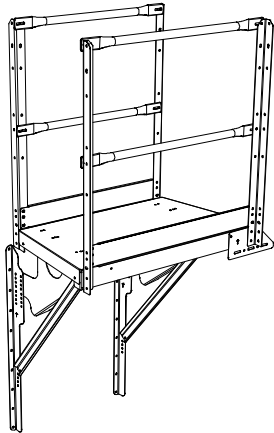
Minor deviation ($\pm 1.5"$) from standard bolt spacing can be absorbed by adjustment of stair sections

Nest wall bracket inside stiffener
in the case of layout interference



CC3900 Platform Elevation Positions

PARTS LIST			
ITEM	QTY	PART NUMBER	DESCRIPTION
1	1	CS-33901	Bracket, Wall, 39.37 Platform
2	1	CS-34402	Brace, Plate, Platform Support
3	1	CS-32002	Channel, K-Brace, C-Series

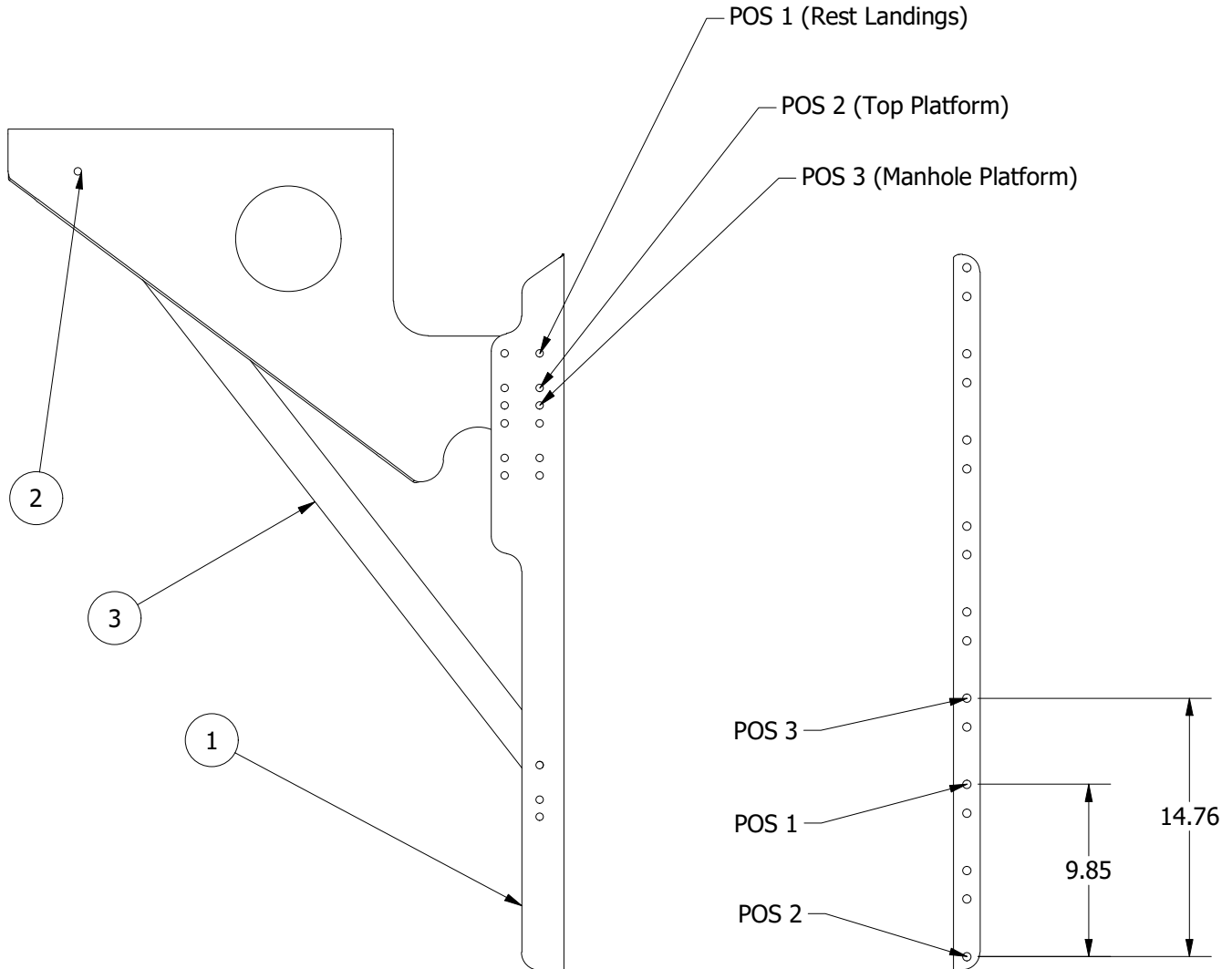


There are 3 position adjustments for brackets mounted in or below the seam.

On Commercial duty, the top platform bracket is mounted in the sheet seam at POS 2, with the platform support in the 2nd hole down.

The manhole platform bracket is mounted below the seam in POS 3, with the platform support in the 3rd hole down.

The rest landing platform brackets are mounted below the seam in POS 1, with the platform support in the 1st hole down.



Indicated hole should be bolted at sheet seam, see next page

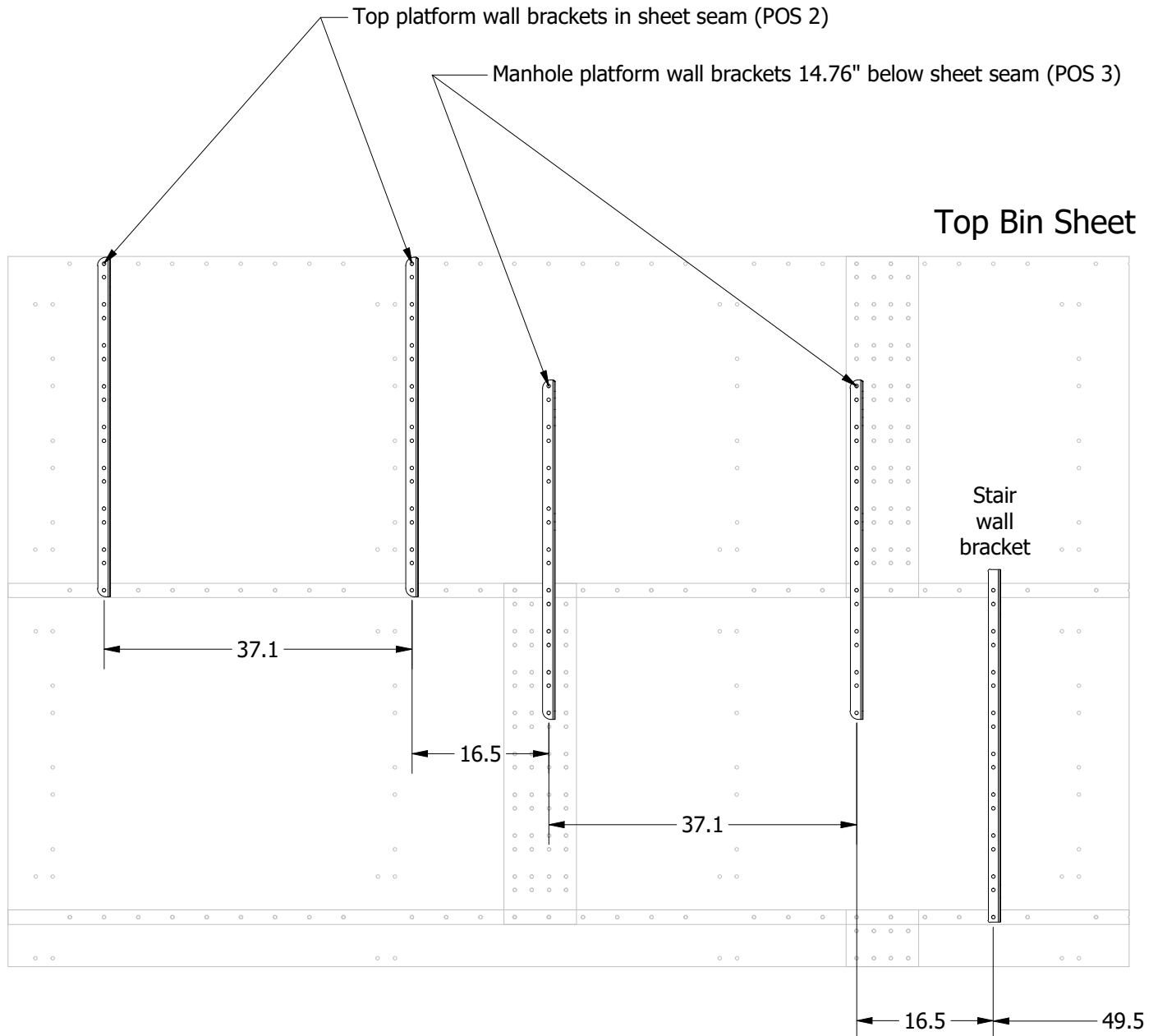
CC3900 Top Platforms Layout - Wall Brackets

The horizontal spacing between the long eave platform wall brackets is 9 bolt spaces (37.1")

The two long platforms are separated by 4 bolt spaces (16.5")

The horizontal spacing from the platform wall bracket to the 4-step stair wall bracket is 4 bolt spaces (16.5")

The remaining stair brackets are 12 bolt spaces apart (49.5")



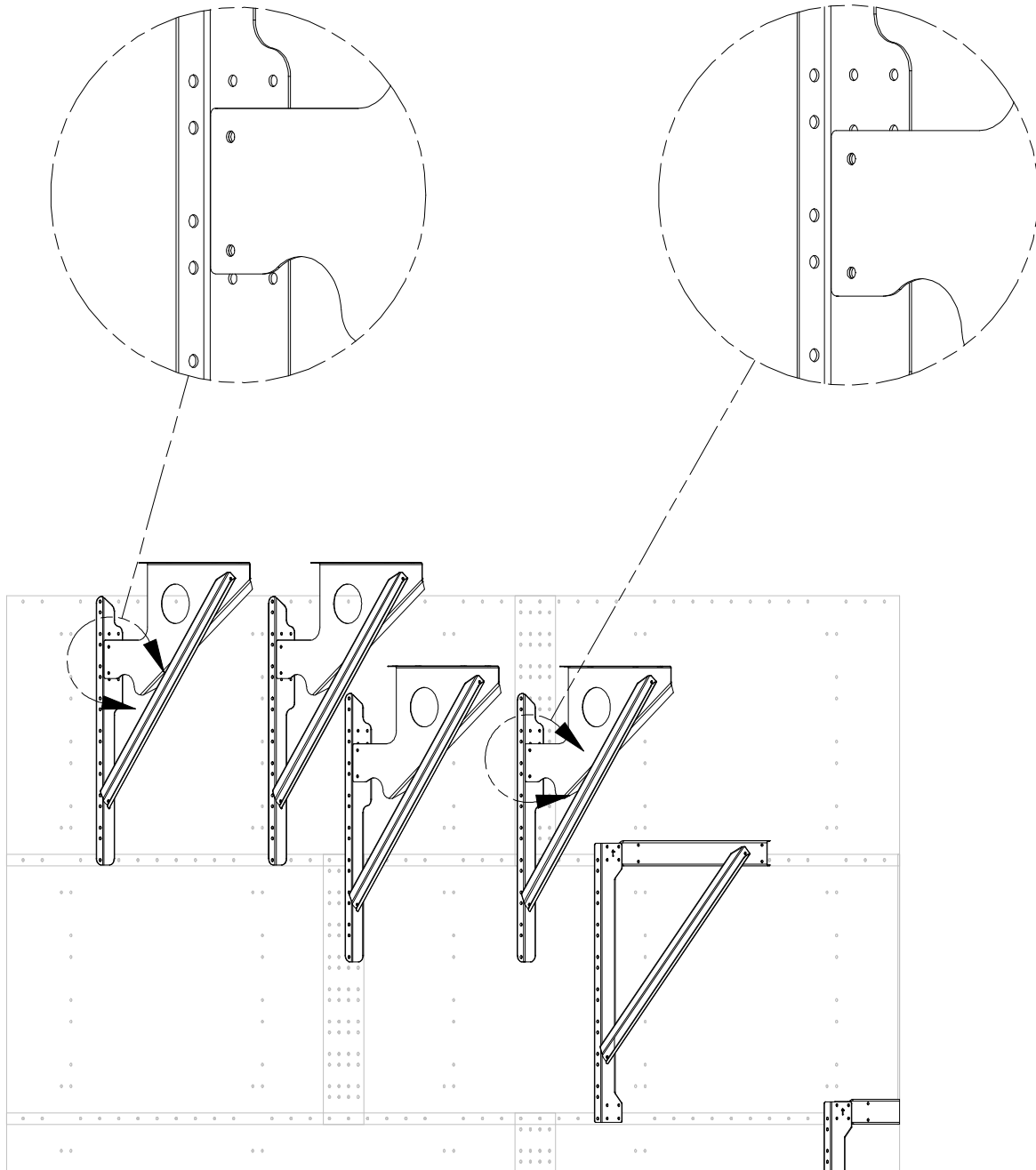
CC3900 Top Platforms Layout - Elevation Positions

The platform supports for the top platform use the 2nd hole down (POS 2)

The supports for the manhole platform use the 3rd hole down (POS 3)

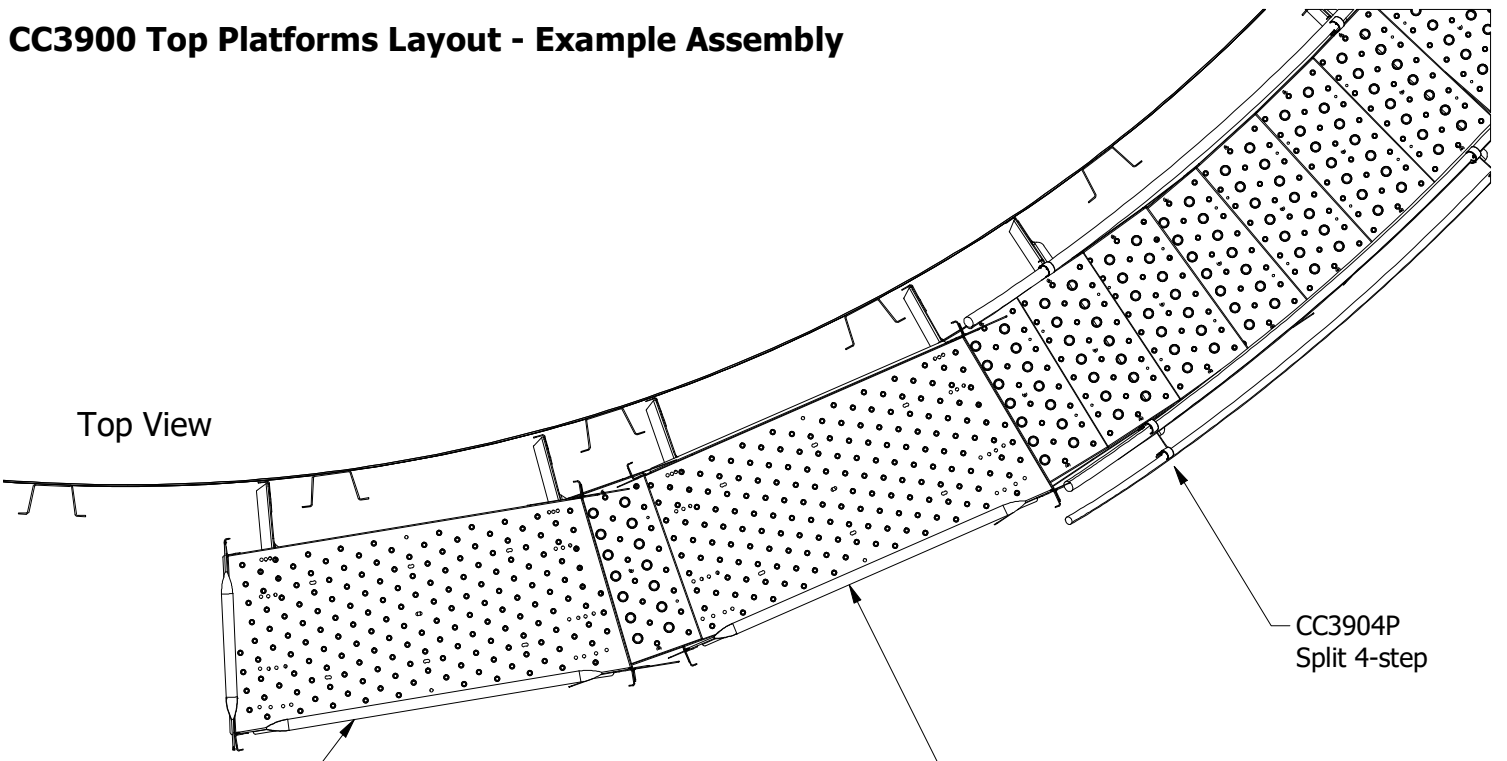
Top platform uses POS 2 location

Manhole platform uses POS 3 location



CC3900 Top Platforms Layout - Example Assembly

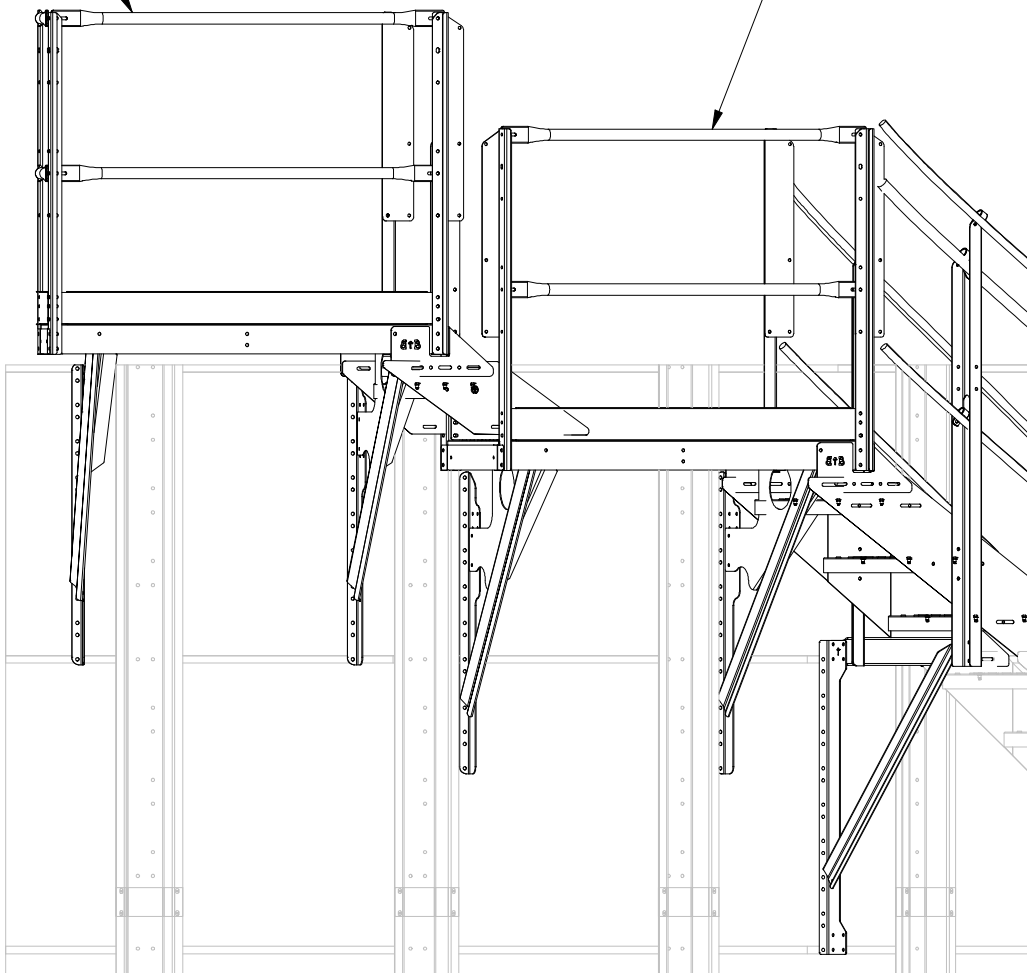
Top View



CC3904P
Split 4-step

CC3539L
Top Platform

CC3639L
Manhole Platform

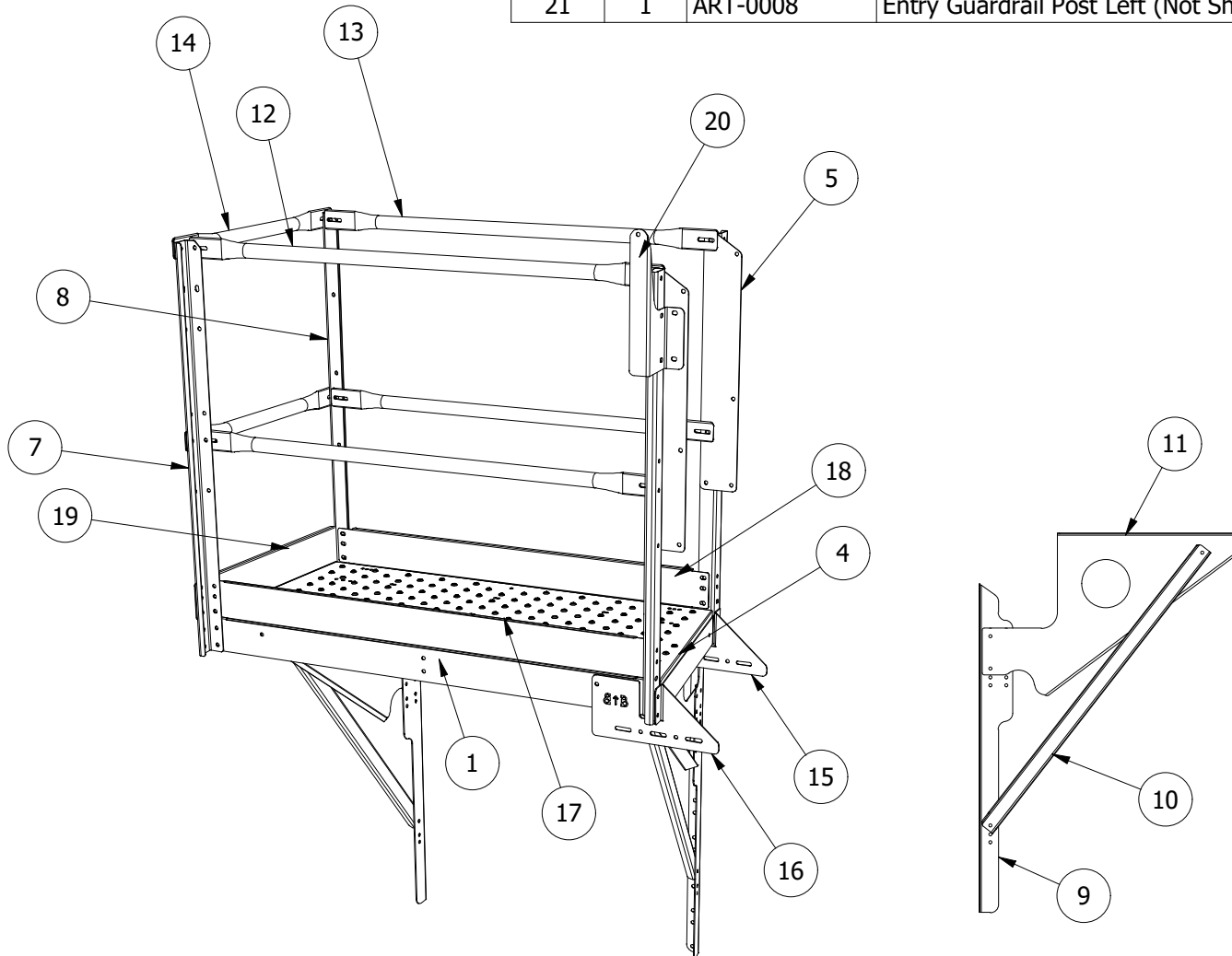
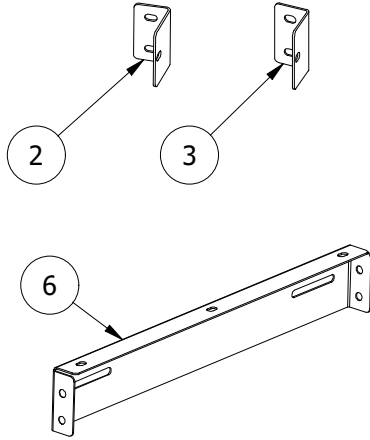


CC3539L Parts List

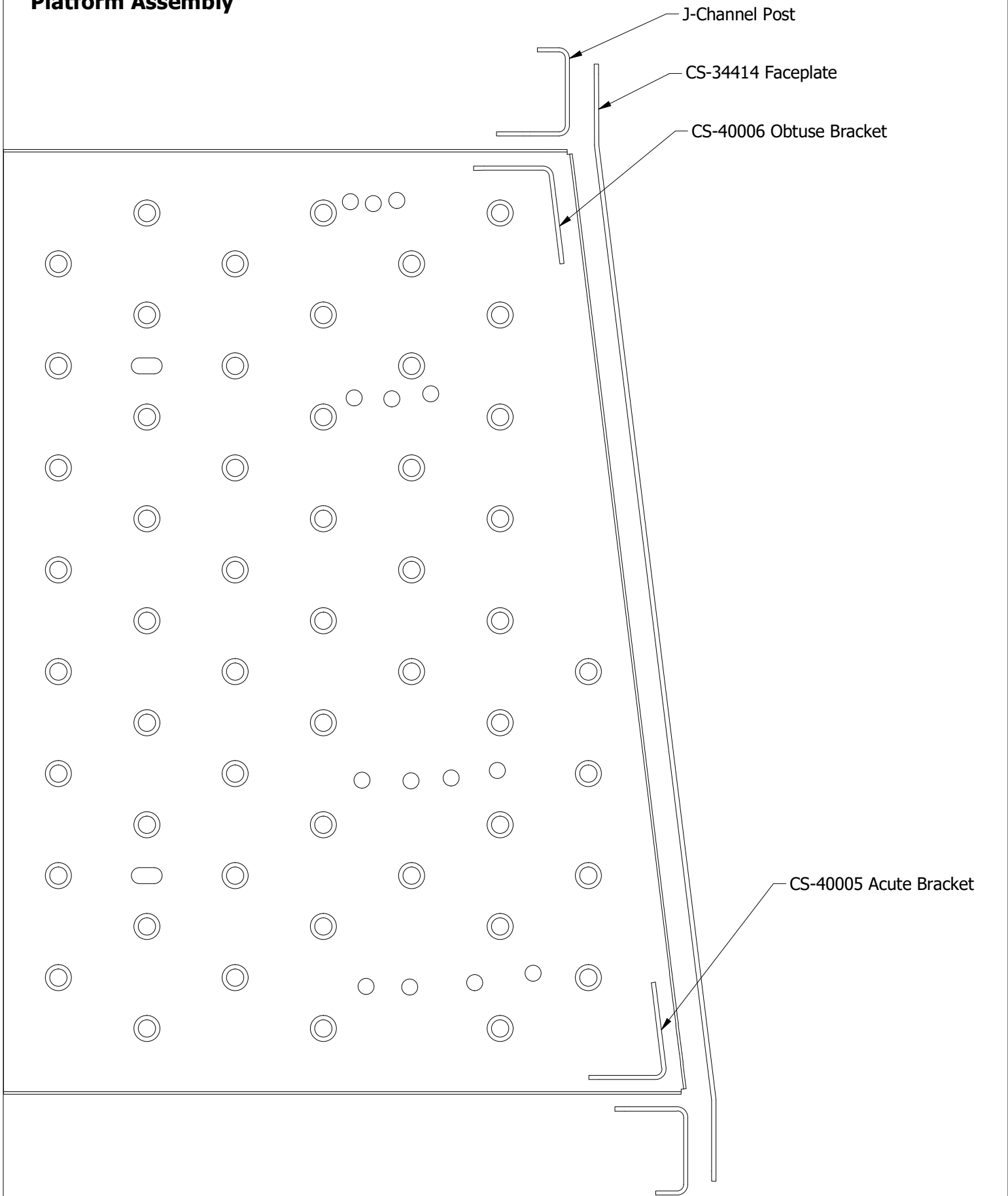
Roof Access Platform

PARTS LIST

ITEM	QTY	PART NUMBER	DESCRIPTION
1	1	CS-F30001	Tread, Platform, Trapezoid 55x24
2	2	CS-40005	Bracket, Brace, Angle, Acute
3	2	CS-40006	Bracket, Brace, Angle, Obtuse
4	2	CS-34414	Bracket, Faceplate
5	2	CS-30010	Bracket, Plate, Handrail
6	1	CS-3009	Bracket, Support, Platform
7	2	CS-34500	Angle, Post, J-channel, Right
8	2	CS-34501	Angle, Post, J-channel, Left
9	2	CS-33901	Bracket, Wall, 39.37 Platform
10	2	CS-32002	Channel, K-Brace, C-Series
11	2	CS-34402	Brace, Plate, Platform
12	2	TRS1505400	54" long 1.5 in tube railing slotted end tabs
13	2	TRS1504800	48" Long 1.5 in tube railing slotted end tabs
14	2	TRS1502800	28" Long 1.5 in tube railing slotted end tabs
15	1	CS-39410	Lower Siderail Extension, Right
16	1	CS-39411	Lower Siderail Extension, Left
17	1	CS-34406	Channel, Kickboard, Outside Long
18	1	CS-34407	Channel, Kickboard, Inside, Long
19	1	CS-34408	Channel, Kickboard, End
20	1	ART-0007	Entry Guardrail Post Right
21	1	ART-0008	Entry Guardrail Post Left (Not Shown)



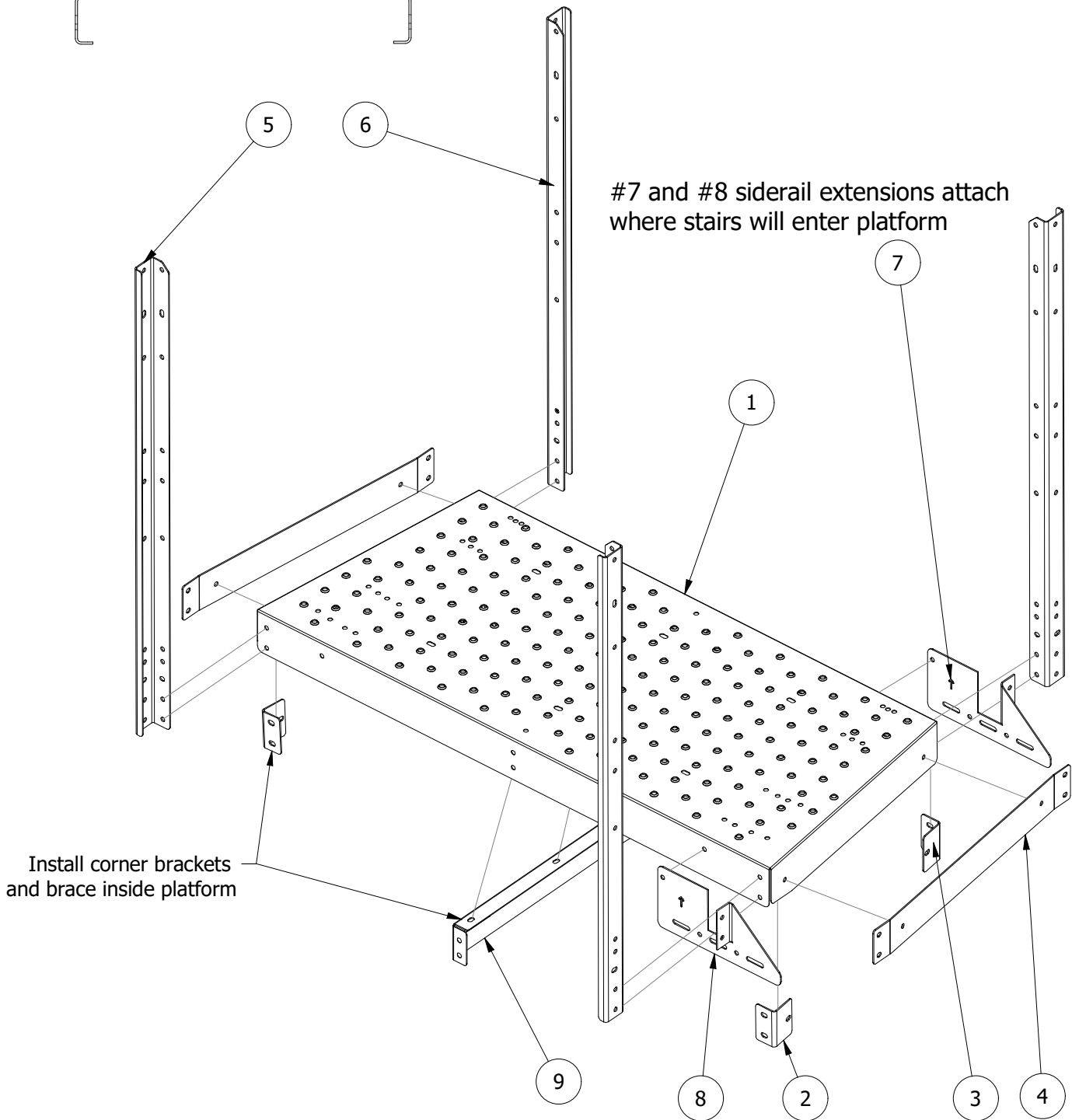
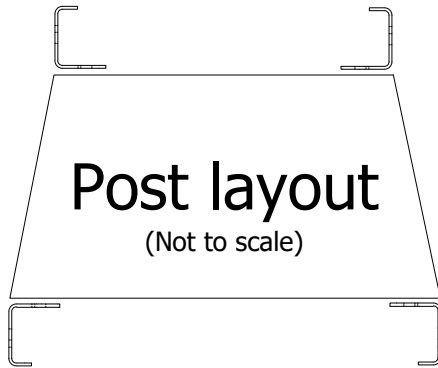
C-Series Commercial Platform Assembly



C-Series
Long Platform Assembly
 Posts & Brackets

PARTS LIST

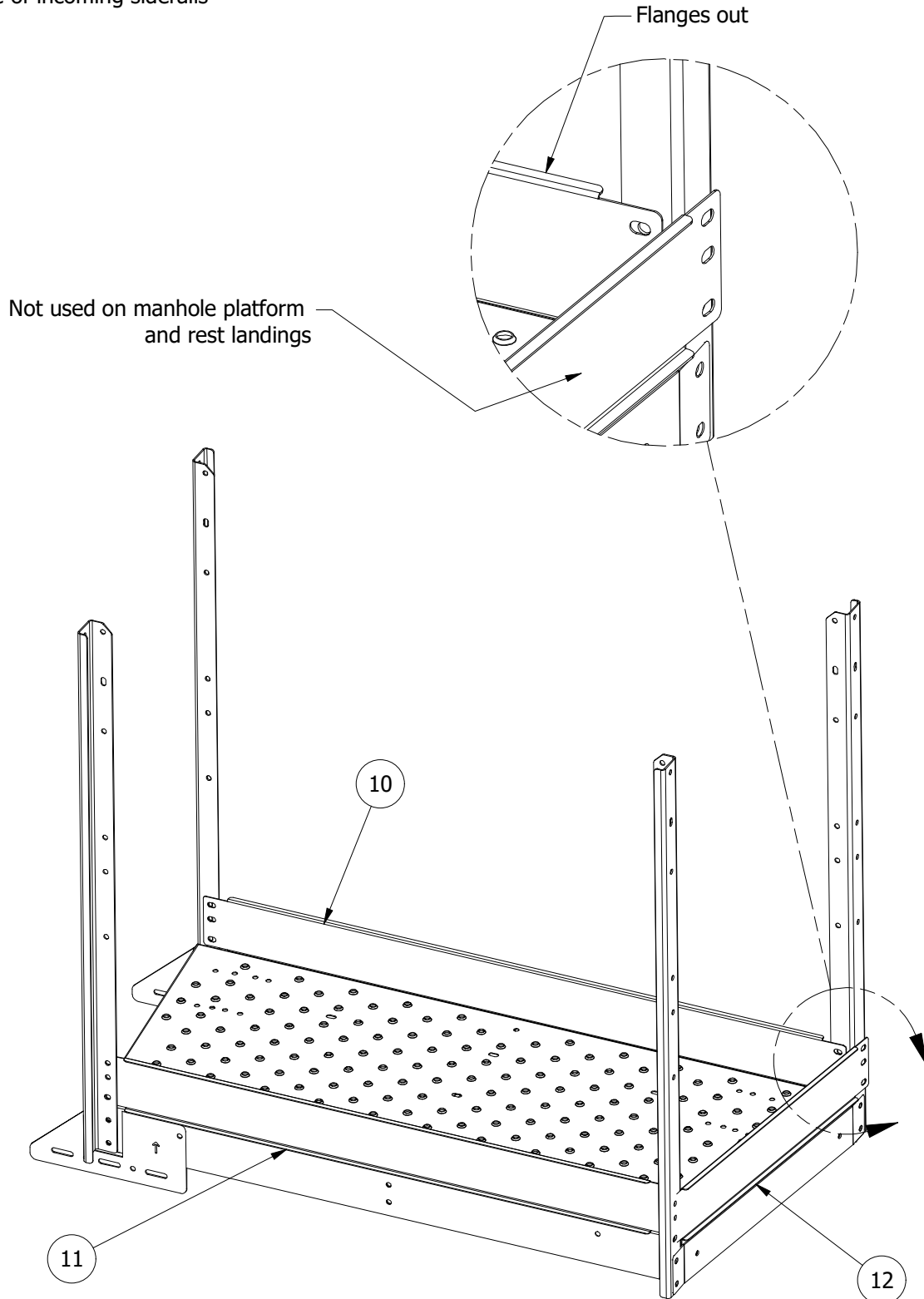
ITEM	QTY	PART NUMBER	DESCRIPTION
1	1	CS-F30001	Tread, Platform, Trapezoid 55x24
2	2	CS-40005	Bracket, Brace, Angle, Acute
3	2	CS-40006	Bracket, Brace, Angle, Obtuse
4	2	CS-34414	Bracket, Faceplate
5	2	CS-34500	Angle, Post, J-channel, Right
6	2	CS-34501	Angle, Post, J-channel, Left
7	1	CS-39410	Lower Stringer Extension, Right
8	1	CS-39411	Lower Stringer Extension, Left
9	1	CS-3009	Bracket, Support, Platform



**C-Series Commercial
Platform Assembly
Kickboards**

PARTS LIST			
ITEM	QTY	PART NUMBER	DESCRIPTION
10	1	CS-34406	Channel, Kickboard, Outside Long
11	1	CS-34407	Channel, Kickboard, Inside, Long
12	1	CS-34408	Channel, Kickboard, End

Note:
On manhole platform and rest landings, there is no end kickboard
Additionally, the top bolts should be left out of the side kickboards
to allow clearance of incoming siderails

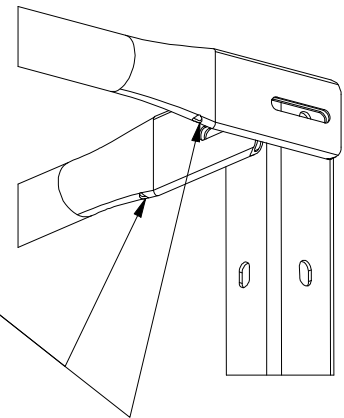


**C-Series Commercial
Platform Assembly
Railing**

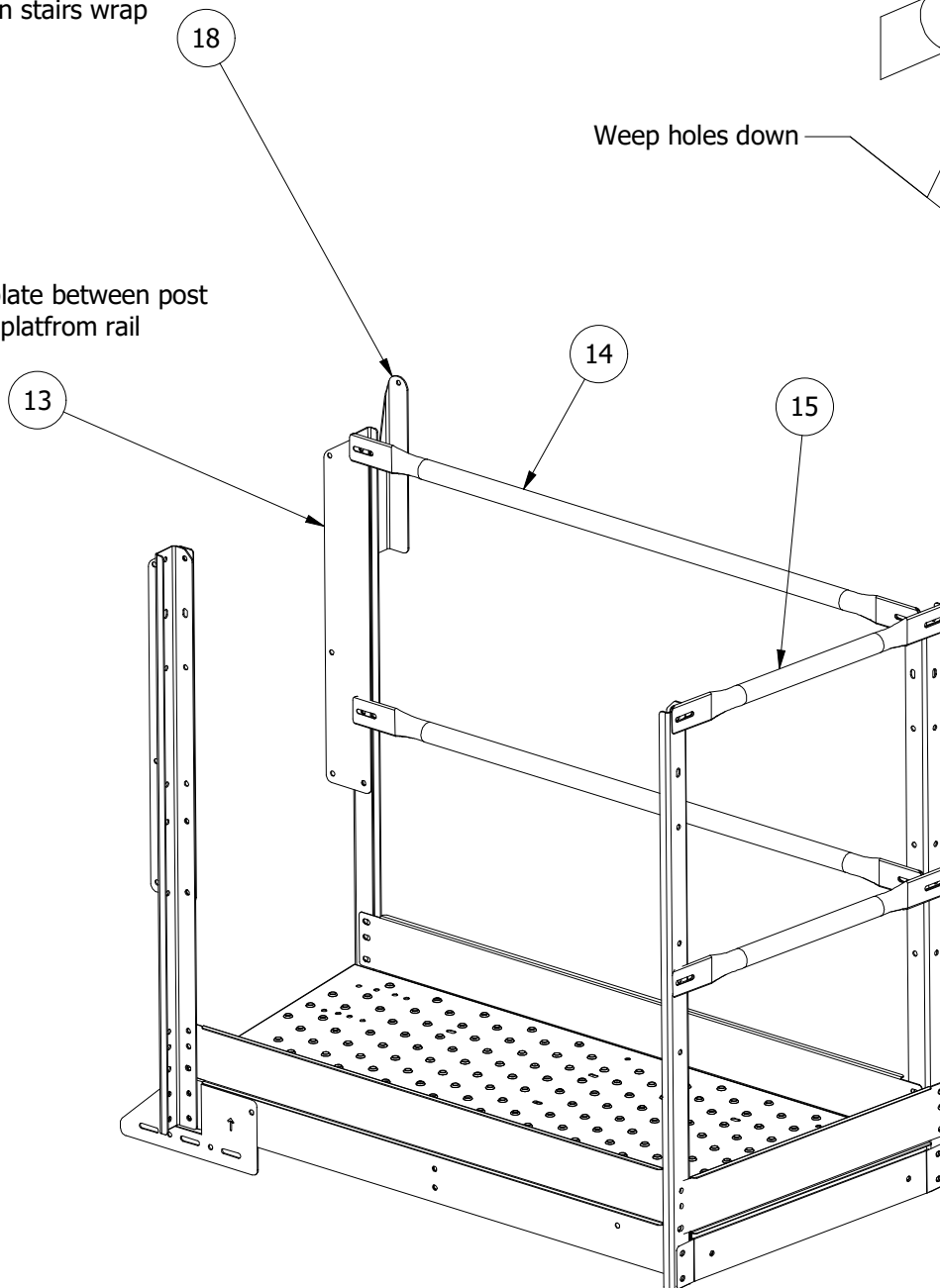
PARTS LIST			
ITEM	QTY	PART NUMBER	DESCRIPTION
13	2	CS-30010	Bracket, Plate, Handrail
14	2	TRS1505400	54" x1.5" dia tube railing, slotted end tabs
15	2	TRS1502800	28" x1.5" dia tube railing, slotted end tabs
18	1	ART-0007	Entry Guardrail Post Right
19	1	ART-0008	Entry Guardrail Post Left

If roof access is not needed, secure platform with TRS1504800 inside rails

Guardrail will tie into platform using ART-0007 or ART-008 depending on which direction stairs wrap



Handrail plate between post and platform rail

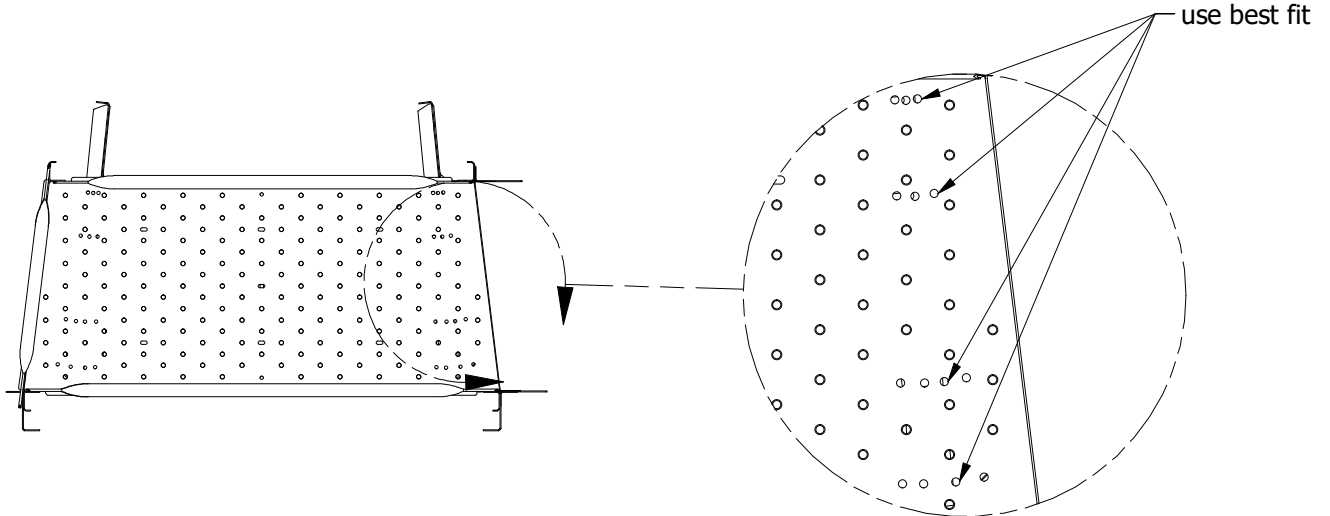


C-Series Commercial Platform Assembly

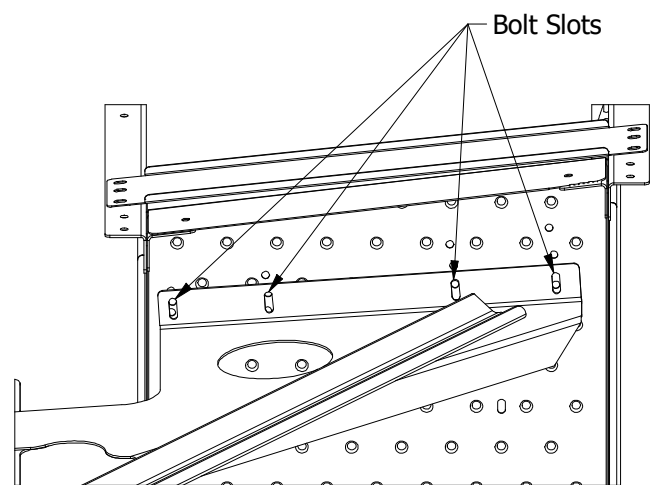
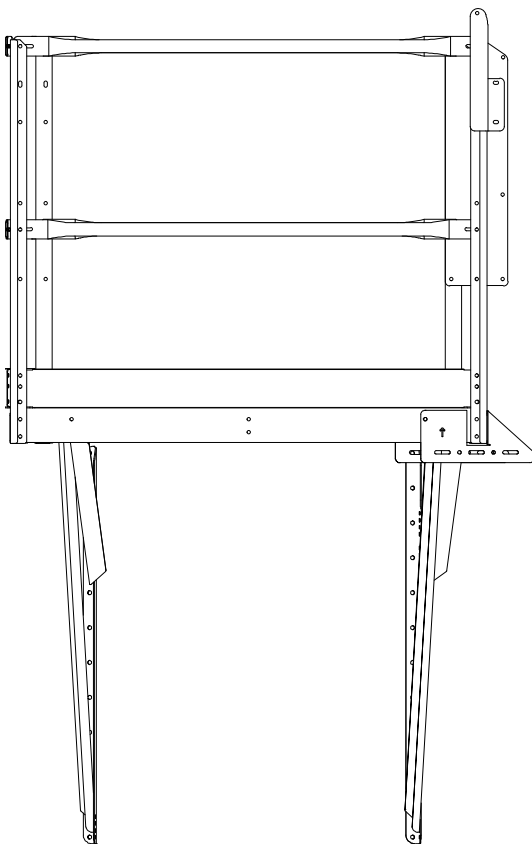
Center the platform assembly on top of the A-frame wall mounts.

Use 4 bolts to attach each wall mount plate to the platform.

Use the bolt holes in the platform that best align with the A-frame mounts, this will vary according to the bin diameter.



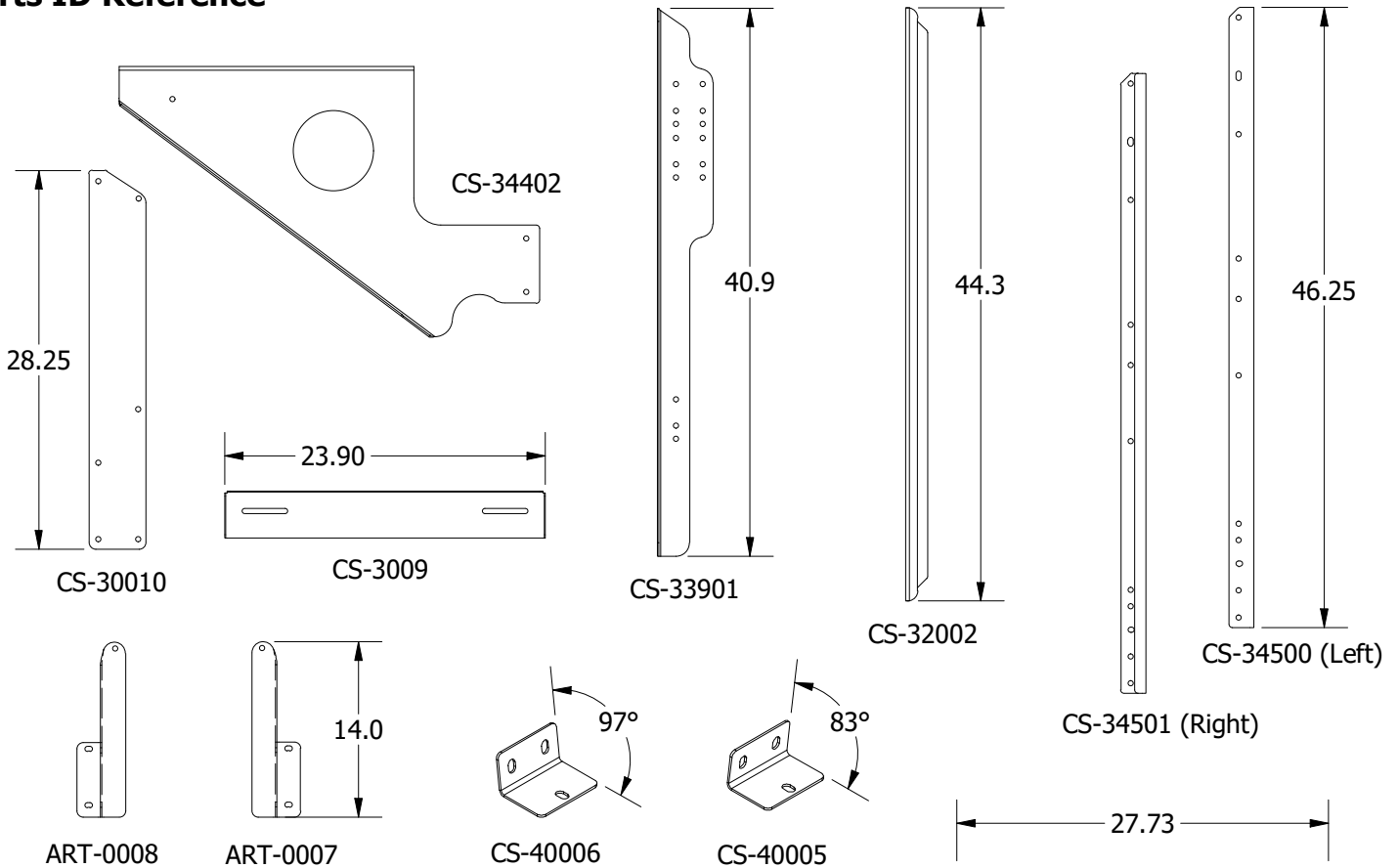
Bolt detail



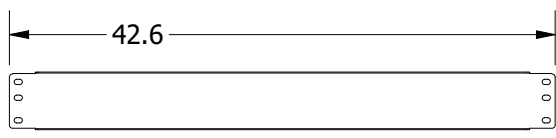
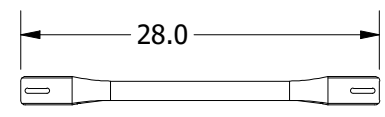
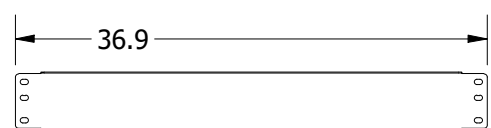
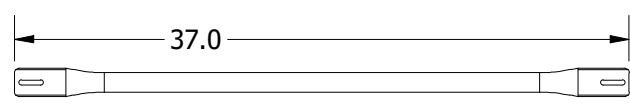
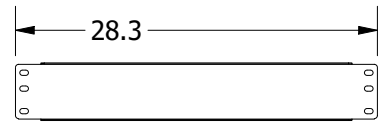
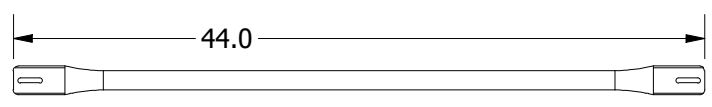
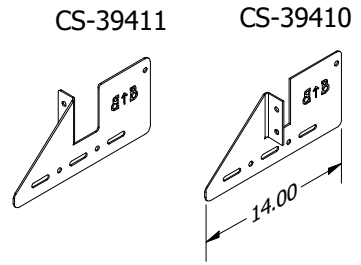
Underside View of
Platform Attachment

CC3539L & CC3639L Long Platforms

Parts ID Reference

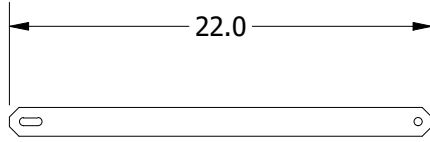


CS-F30001

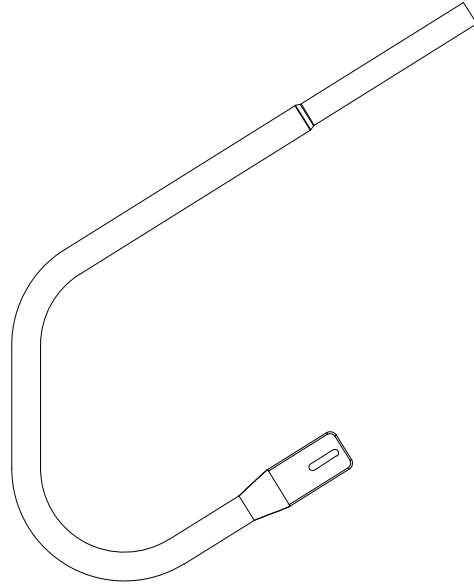


CC3539L Top Platform Package

Additional Stair Components

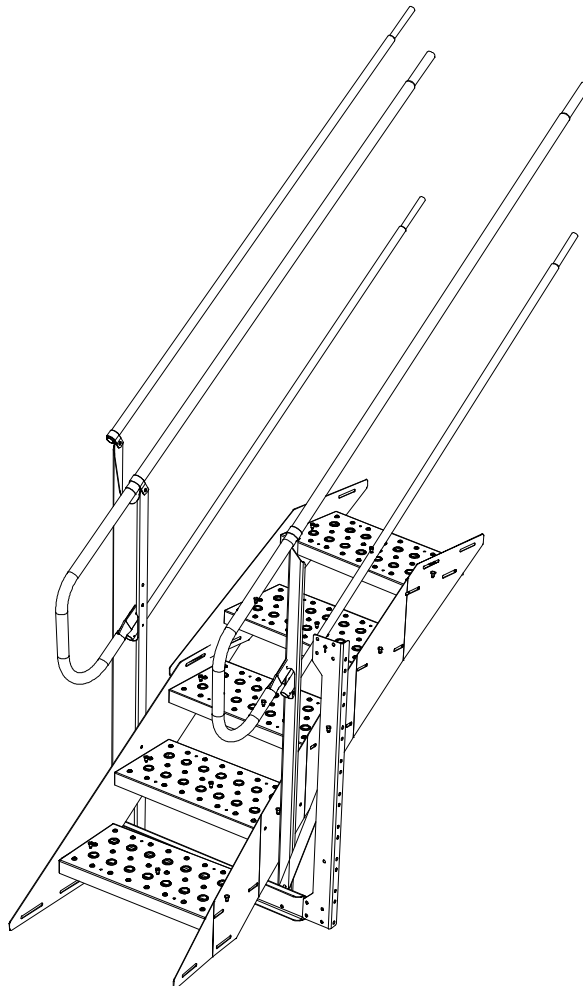


AS-40004



ART-2226

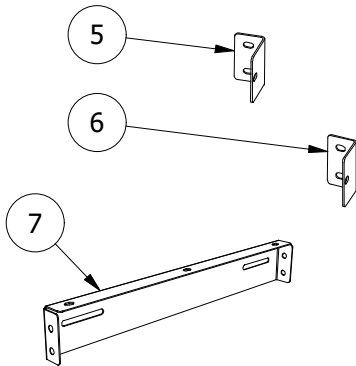
These parts are included in the top platform package for use in the bottom stair section, see pages 35 & 36



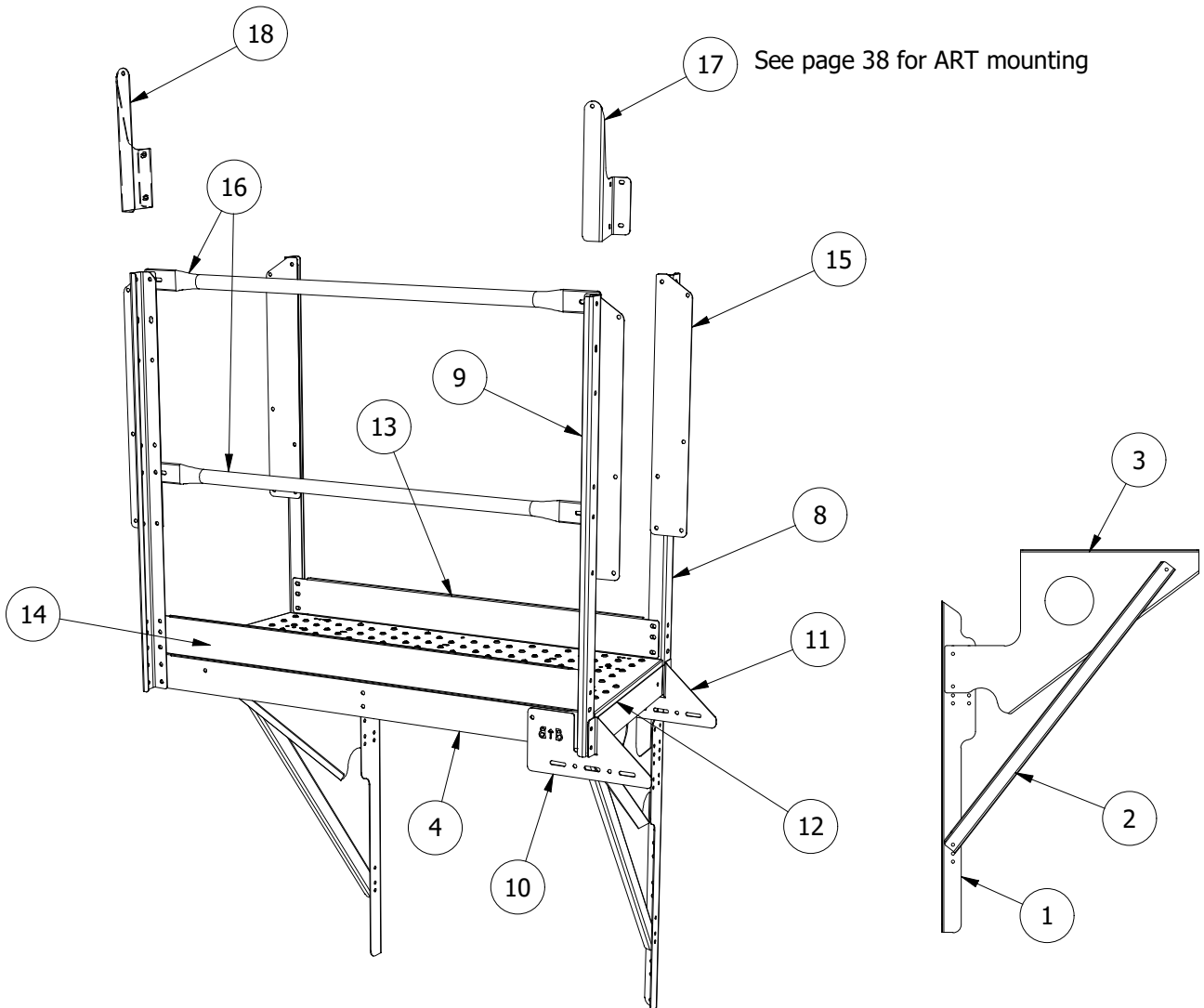
CC3639L Parts List

Manhole Access Platform

Refer to page 12 and repeat instruction process with these components



PARTS LIST			
ITEM	QTY	PART NUMBER	DESCRIPTION
1	2	CS-33901	Bracket, Wall, 39.37 Platform
2	2	CS-32002	Channel, K-Brace, C-Series
3	2	CS-34402	Brace, Plate, Platform
4	1	CS-F30001	Tread, Platform, Trapezoid 55x24
5	2	CS-40005	Bracket, Brace, Angle, Acute
6	2	CS-40006	Bracket, Brace, Angle, Obtuse
7	1	CS-3009	Bracket, Support, Platform
8	2	CS-34500	Angle, Post, J-channel, Right
9	2	CS-34501	Angle, Post, J-channel, Left
10	1	CS-39411	Siderail Extension, 39"
11	1	CS-39410	Lower Stringer Extension 39
12	2	CS-34414	Bracket, Faceplate
13	1	CS-34407	Channel, Kickboard, Inside, Long
14	1	CS-34406	Channel, Kickboard, Outside Long
15	4	CS-30010	Bracket, Plate, Handrail
16	2	TRS1505400	54" long 1.5 in tube railing slotted end tabs
17	1	ART-0007	Entry Guardrail Post Left
18	1	ART-0008	Entry Guardrail Post Right

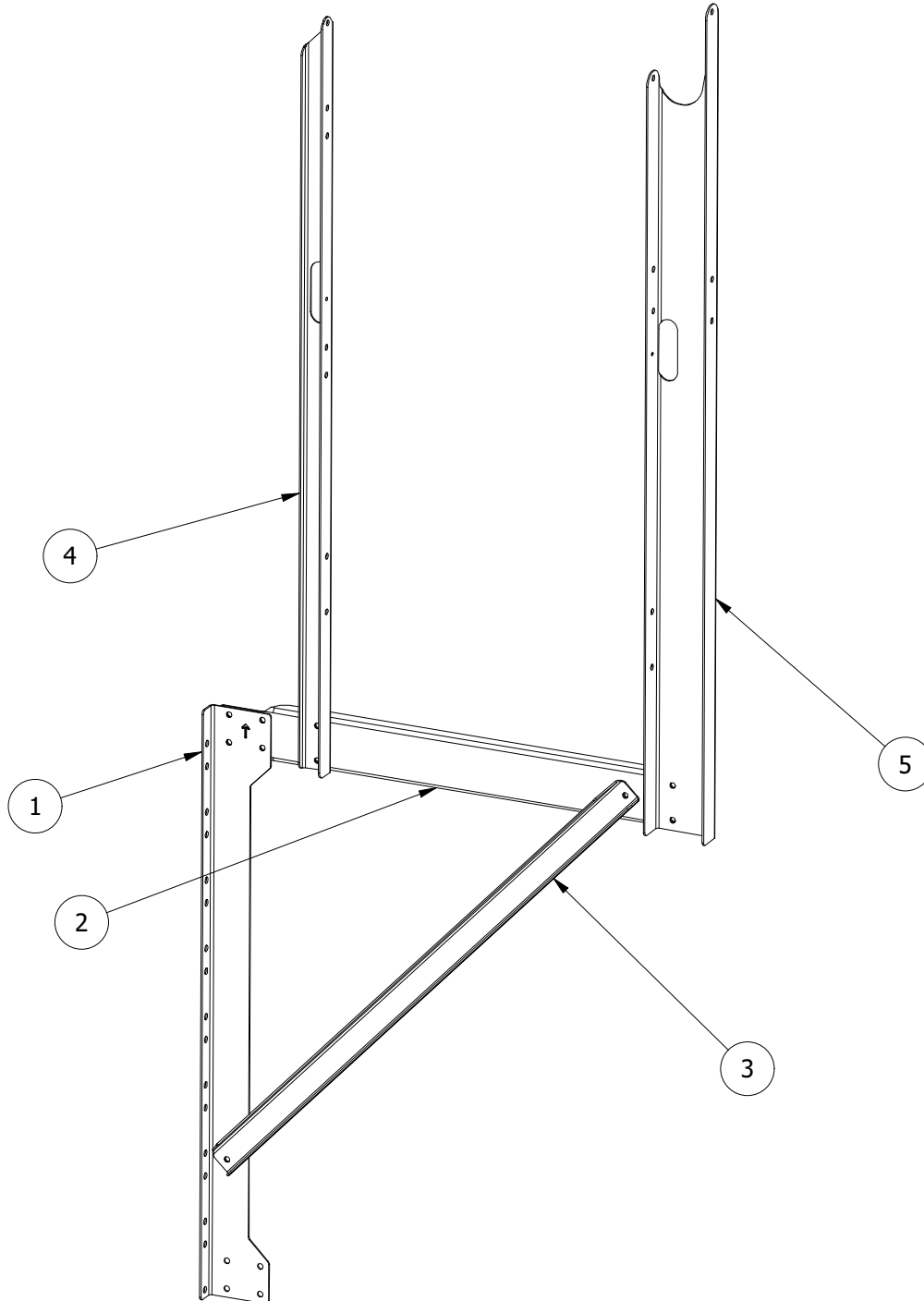


A-Frame and Posts

It is recommended to attach the inside post first, attach the assembled stair section to the inside post, then add the outside post last.

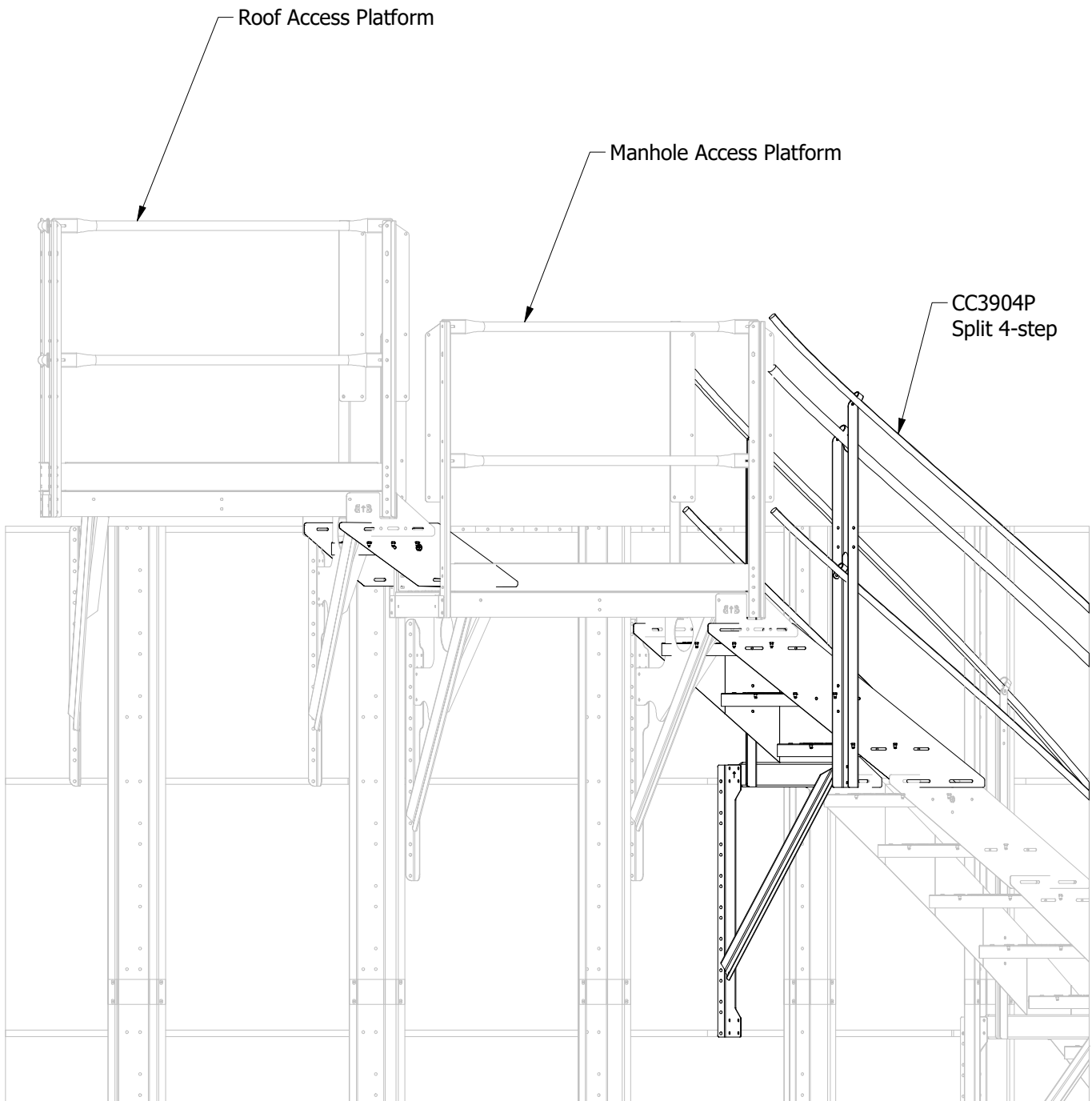
PARTS LIST

ITEM	QTY	PART NUMBER	DESCRIPTION
1	1	CS-39001	Bracket, Wall, 39.37" Stair
2	1	CS-40002	Channel, Crossbar
3	1	CS-32002	Channel, K-Brace, C-Series
4	1	CS-40001	Post, Inside Stair
5	1	CS-40011	Post, Stair Rail, Guard Rail Outside



CC3904P 4-step Split Stair Section

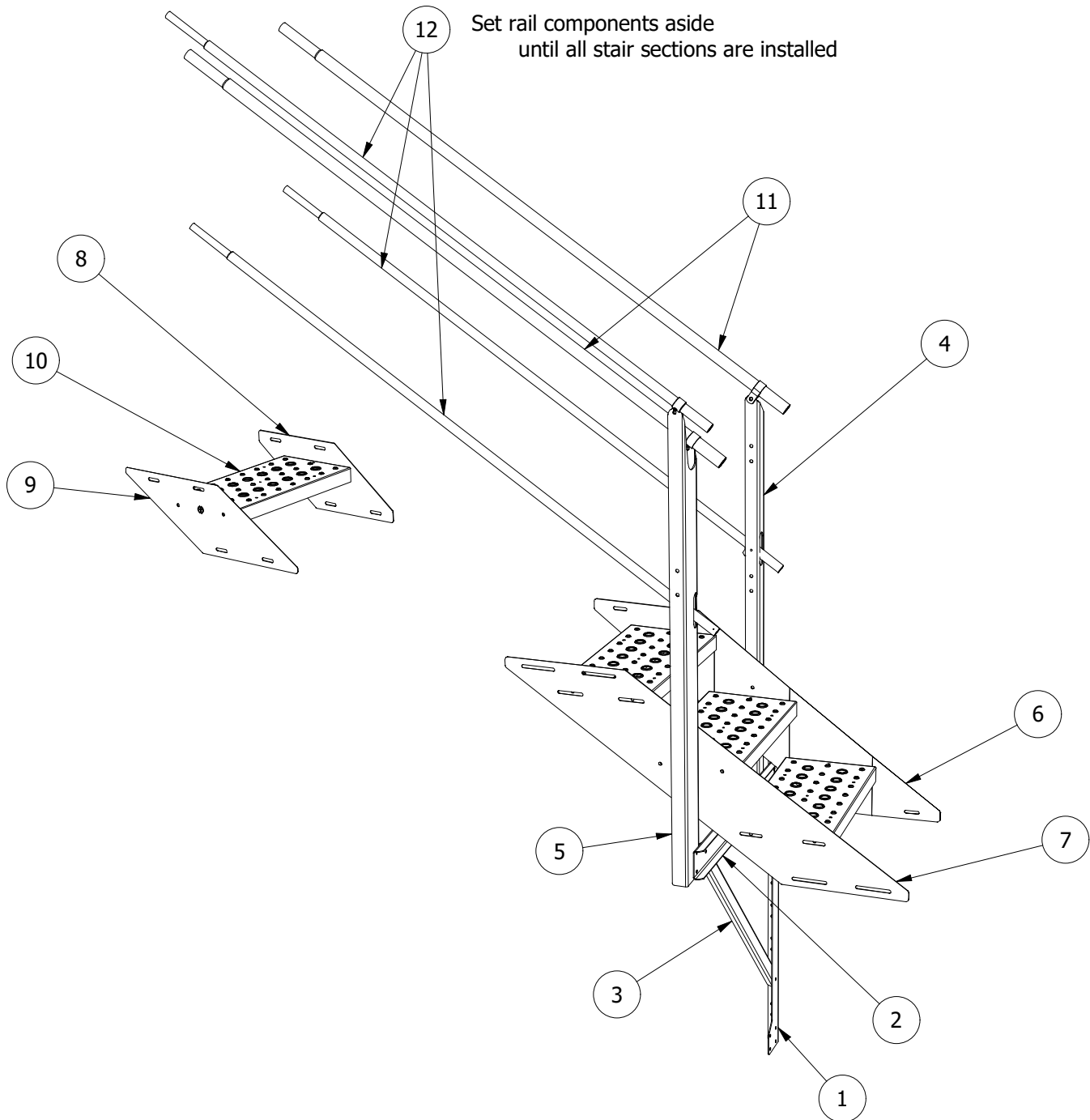
The first stair section uses a split 4-step package to transition the top platforms into the regular 5-step stair sections. See the example below for a visual of the split 4-step in place.



CC3904P 4-step Split Stair Section

This section is used to place a single step between eave platforms and three steps after the manhole platform

PARTS LIST			
ITEM	QTY	PART NUMBER	DESCRIPTION
1	1	CS-39001	Bracket, Wall, 39.37" Stair
2	1	CS-40002	Channel, Crossbar
3	1	CS-32002	Channel, K-Brace, C-Series
4	1	CS-40001	Post, Inside Stair
5	1	CS-40011	Post, Stair Rail, Guard Rail Outside
6	1	CS-39043	39 Stringer, Inside, 3 Step
7	1	CS-39048	39 Stringer, Outside, 3 Step
8	1	CS-39041	39 Stringer, Inside, 1 Step
9	1	CS-39046	39 Stringer, Outside, 1 Step
10	4	CS41224	Tread 24x12
11	2	TR1508206	82" x1.5" dia Tubing, 6" swage
12	3	TR1008206	82" x1" dia Tubing, 6" swage



CC3904P

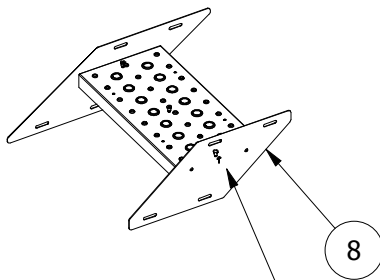
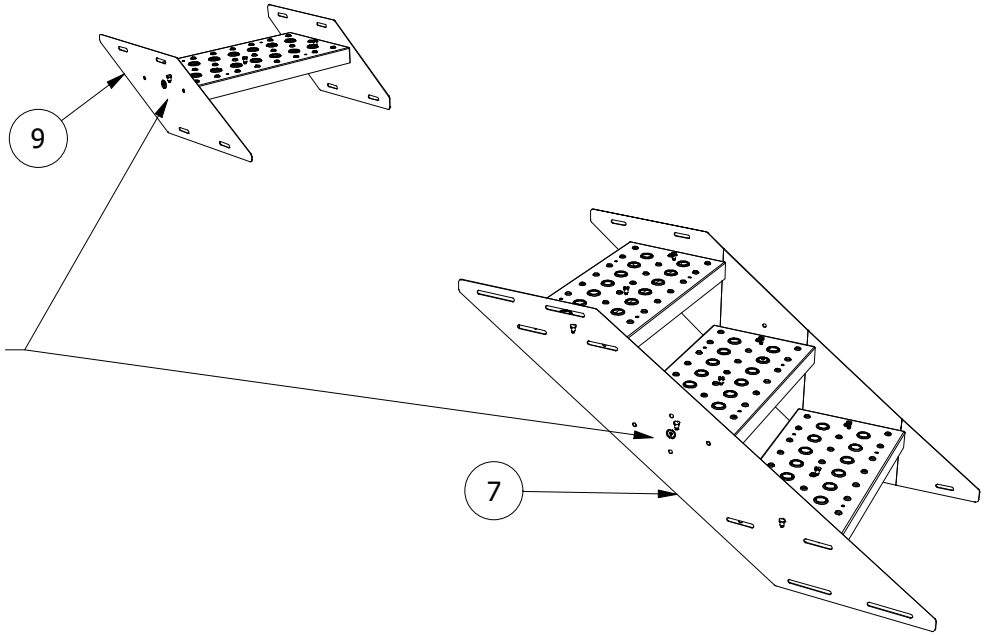
4-step Split Stair Section

On the CC3904P stair section;
 The lower section uses 3-step siderails inside and outside,
 The upper section uses 1-step siderails inside and outside.

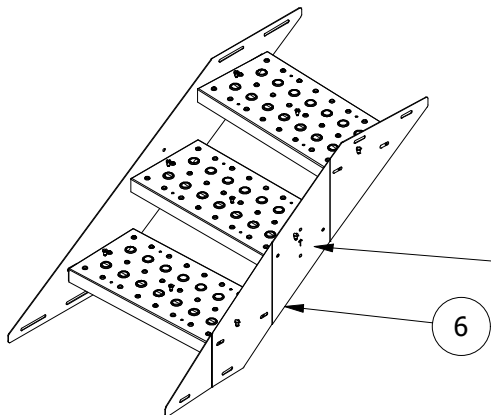
PARTS LIST			
ITEM	QTY	PART NUMBER	DESCRIPTION
6	1	CS-39043	39 Stringer, Inside, 3 Step
7	1	CS-39048	39 Stringer, Outside, 3 Step
8	1	CS-39041	39 Stringer, Inside, 1 Step
9	1	CS-39046	39 Stringer, Outside, 1 Step
10	4	CS41224	Tread 24x12



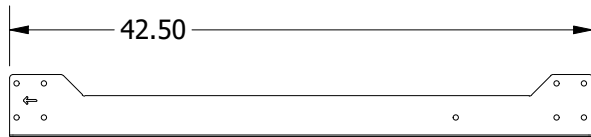
Arrow & Circle on Outside Siderails
 Arrows Always Face UP



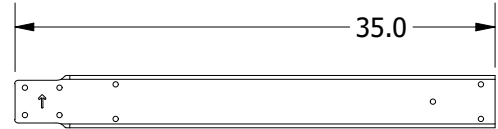
Arrow on Inside Siderails
 Arrows Always Face UP



CC3904P Parts ID



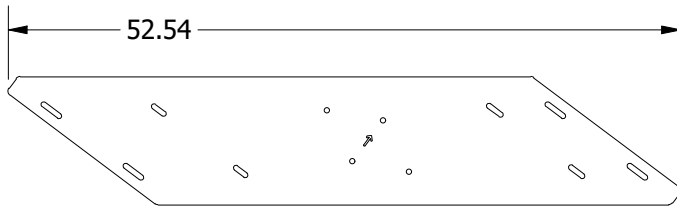
CS-39001



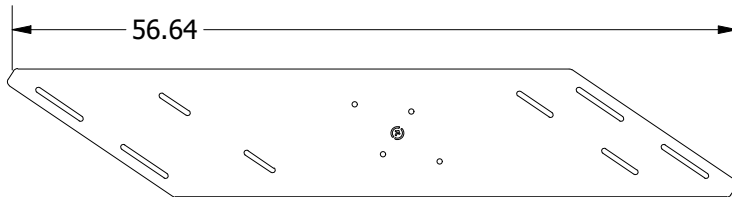
CS-40002



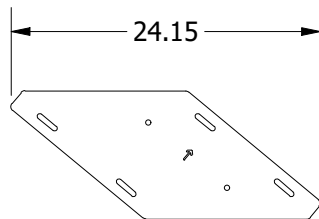
CS-32002



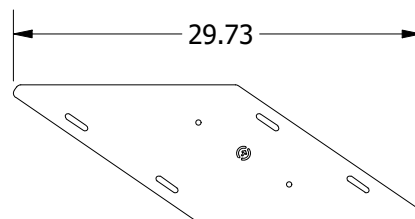
CS-39043



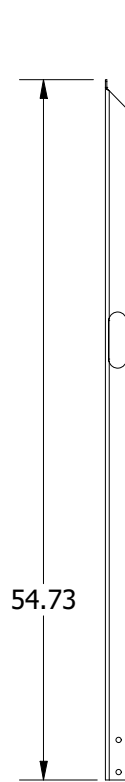
CS-39048



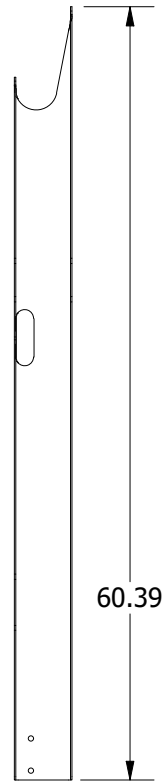
CS-39041



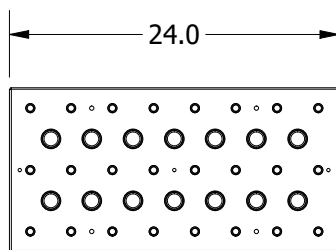
CS-39046



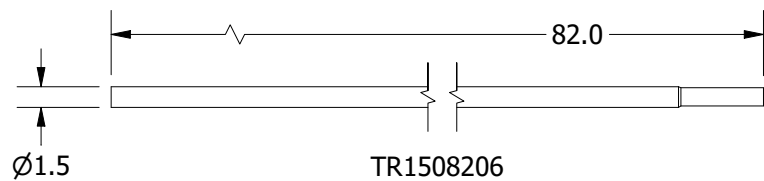
CS-40001



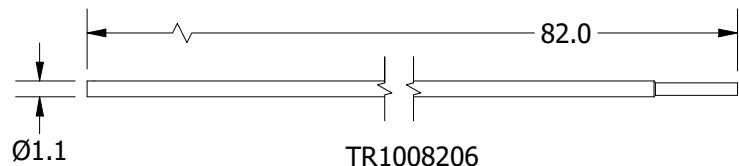
CS-40011



CS41224



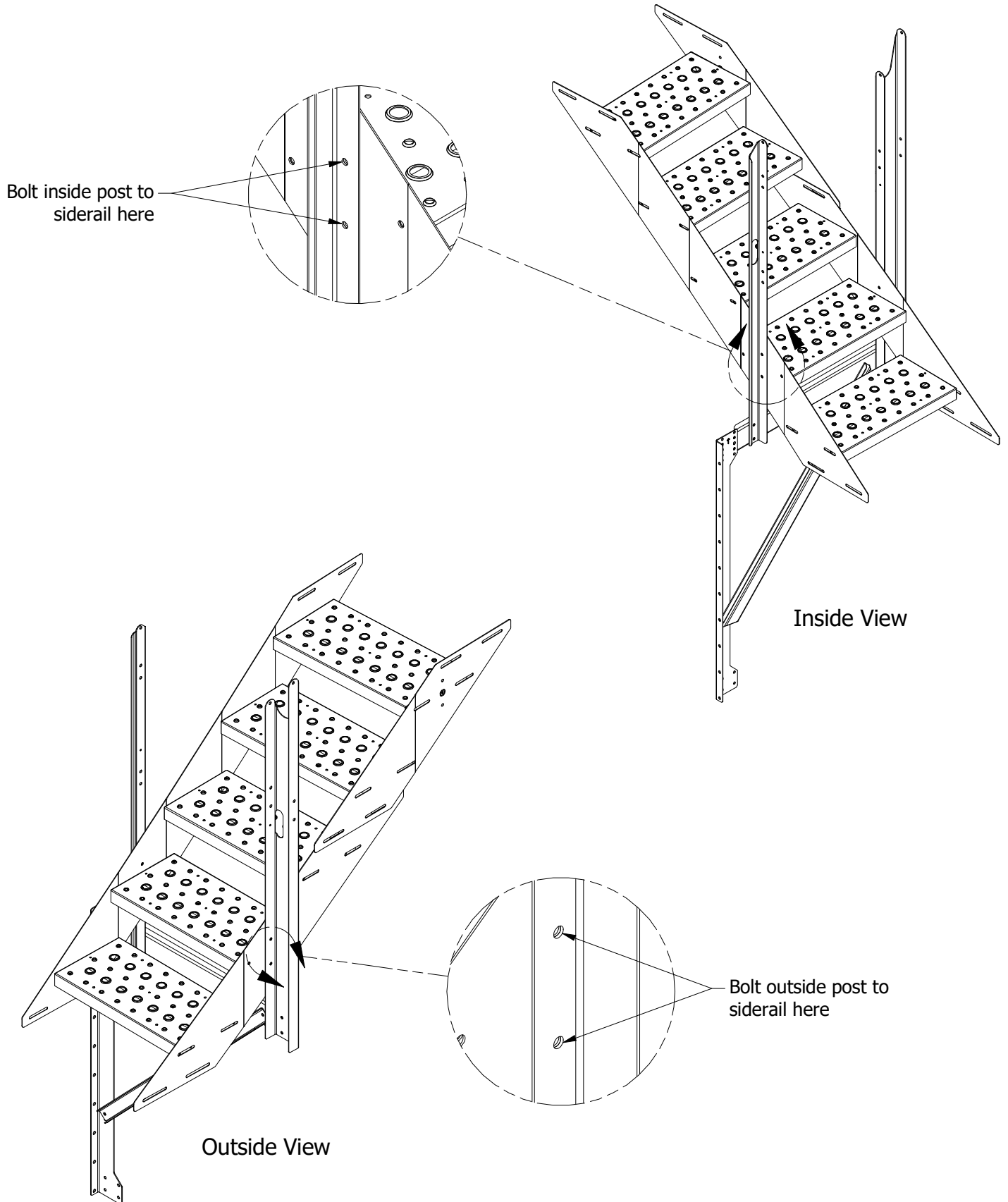
TR1508206



TR1008206

Attaching the Stair Section to the A-Frame Assembly

Attach the inside and outside posts to the siderails at the 2nd step from the bottom. Bolt in the holes shown in detail views.



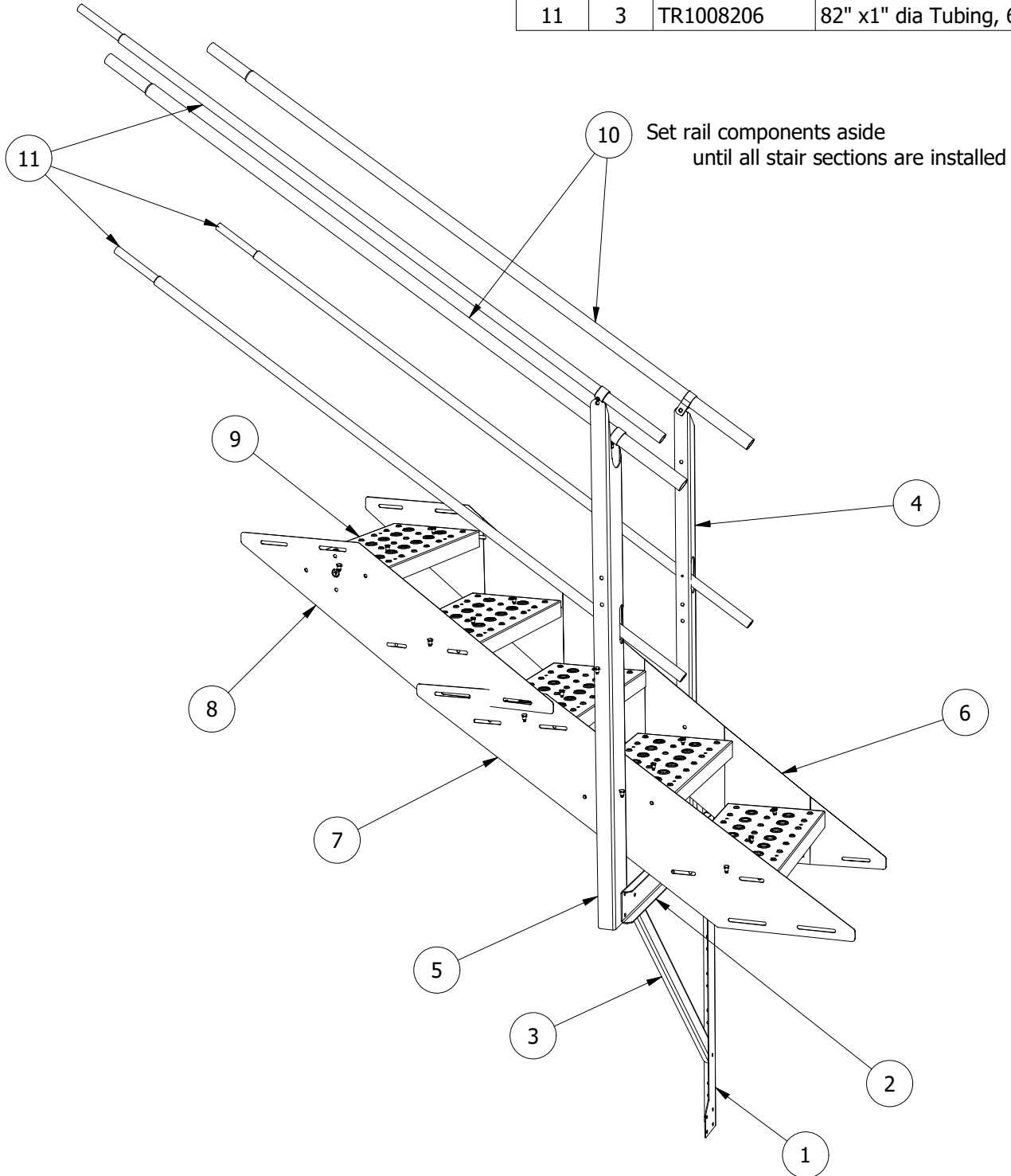
CC3900 5-step Stair Section

This is the standard stair section used after the split 4-step.

The slotted ends of each siderail align with the 39.37" sheet seams and each step has a rise of 7.87"

PARTS LIST

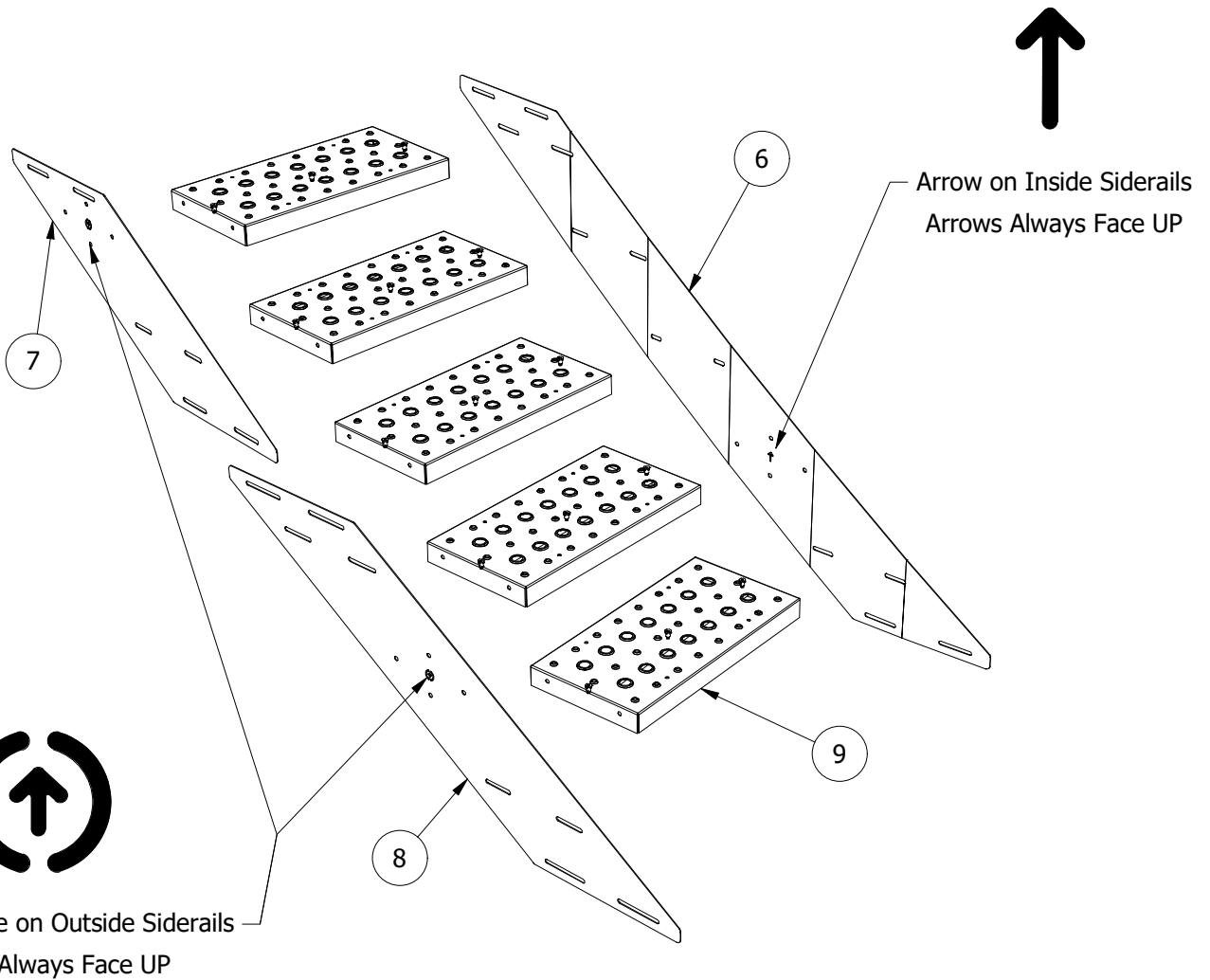
ITEM	QTY	PART NUMBER	DESCRIPTION
1	1	CS-39001	Bracket, Wall, 39.37" Stair
2	1	CS-40002	Channel, Crossbar
3	1	CS-32002	Channel, K-Brace, C-Series
4	1	CS-40001	Post, Inside Stair
5	1	CS-40011	Post, Stair Rail, Guard Rail Outside
6	1	CS-39045	39 Stringer, Inside, 5 Step
7	1	CS-39048	39 Stringer, Outside, 3 Step
8	1	CS-39047	39 Stringer, Outside, 2 Step
9	5	CS41224	Tread 24x12
10	2	TR1508206	82" x1.5" dia Tubing, 6" swage
11	3	TR1008206	82" x1" dia Tubing, 6" swage



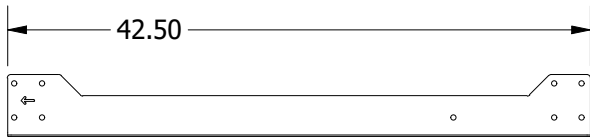
CC3900 5-step Stair Section

On the CC3900 stair section,
the inside siderail is a one piece 5-step,
the outside siderail is a two piece, 3-step and 2-step.

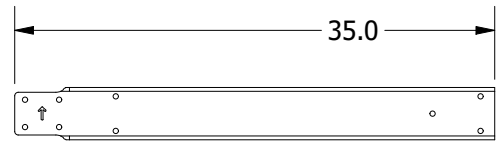
PARTS LIST			
ITEM	QTY	PART NUMBER	DESCRIPTION
6	1	CS-39045	39 Stringer, Inside, 5 Step
7	1	CS-39047	39 Stringer, Outside, 2 Step
8	1	CS-39048	39 Stringer, Outside, 3 Step
9	5	CS41224	Tread 24x12



CC3900 Parts ID



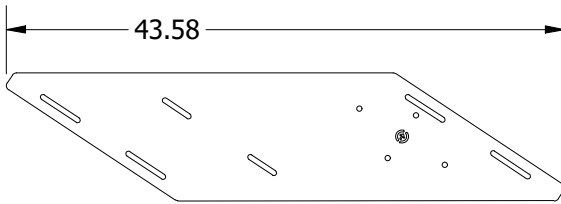
CS-39001



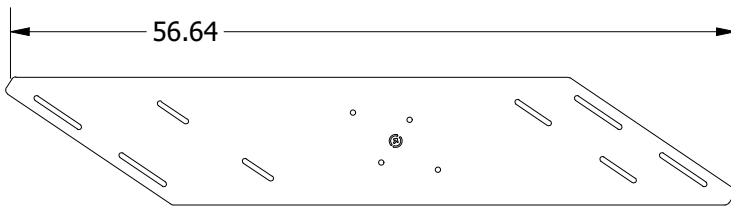
CS-40002



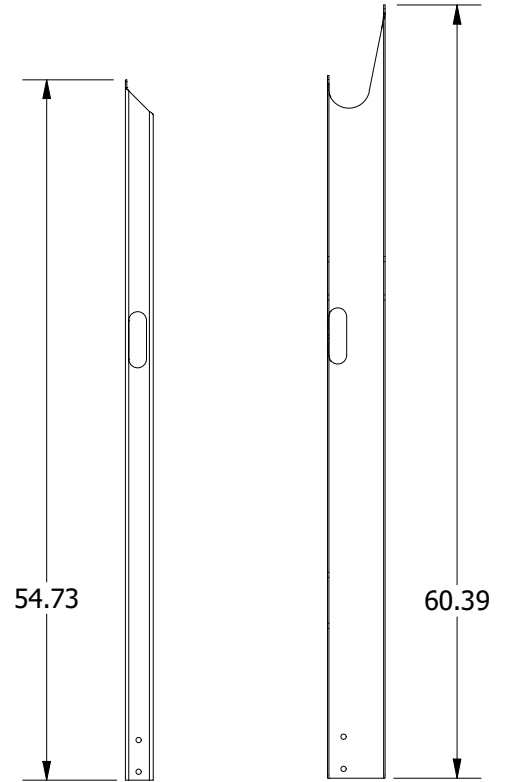
CS-32002



CS-39047

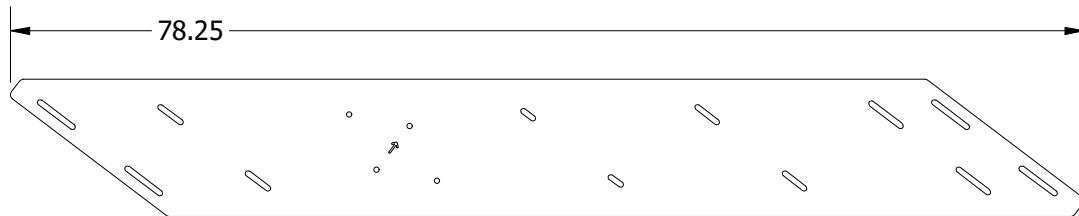


CS-39048

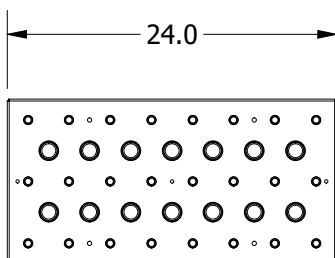


CS-40001

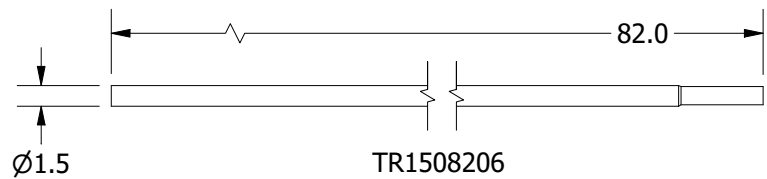
CS-40011



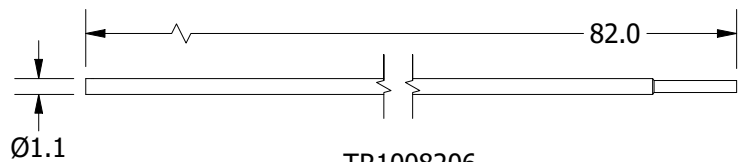
CS-39045



CS41224



TR1508206



TR1008206

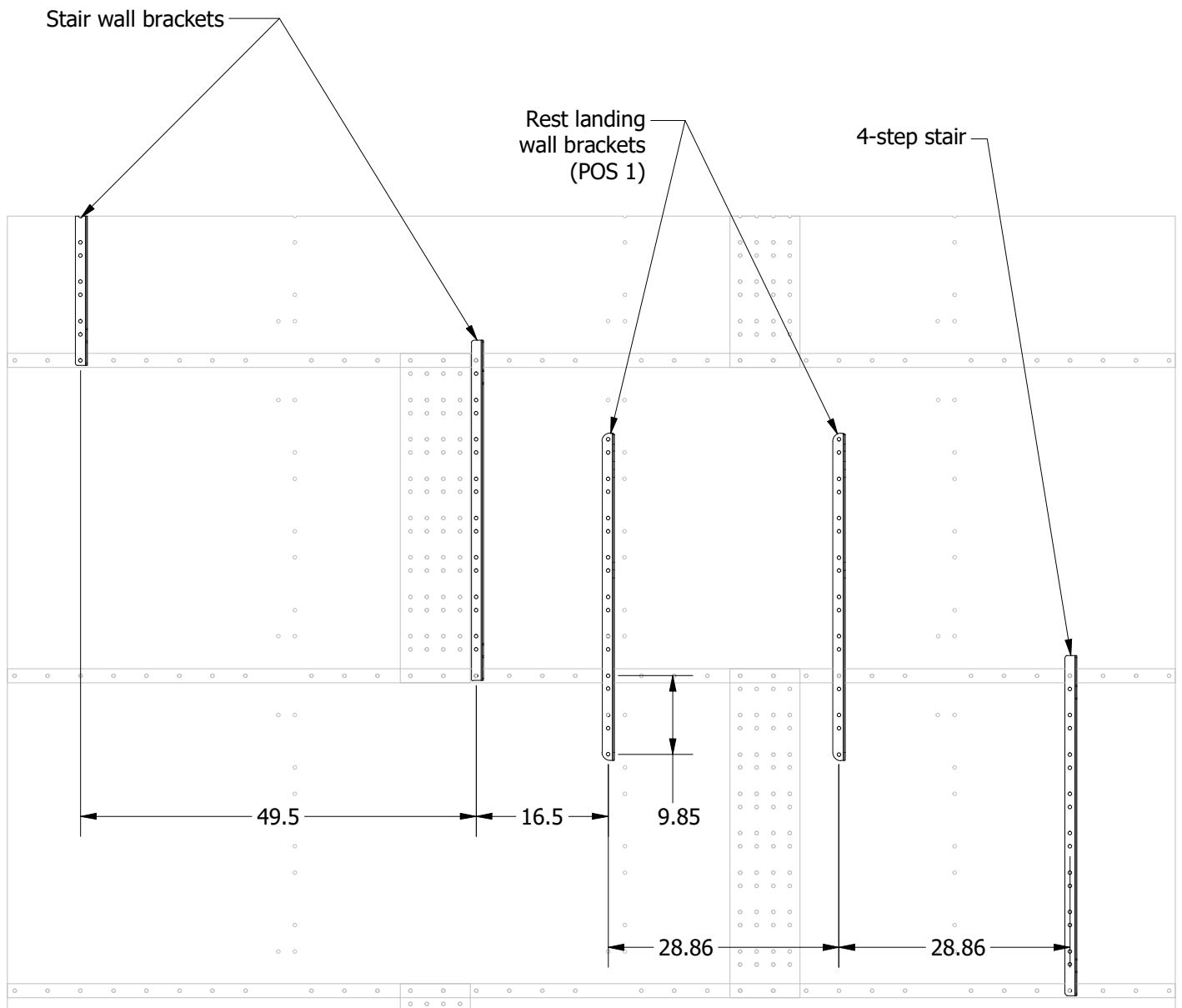
CC3900 Rest Landing Layout - Wall Brackets

The horizontal spacing from the upper stair bracket to the platform bracket is 4 bolt spaces (16.5")

The rest landing wall brackets are separated by 7 bolt spaces (28.86")
These brackets are mounted below the seam in POS 1 (see page 6)

The horizontal spacing from the rest landing wall bracket to the 4-step stair wall bracket is 7 bolt spaces (28.86")

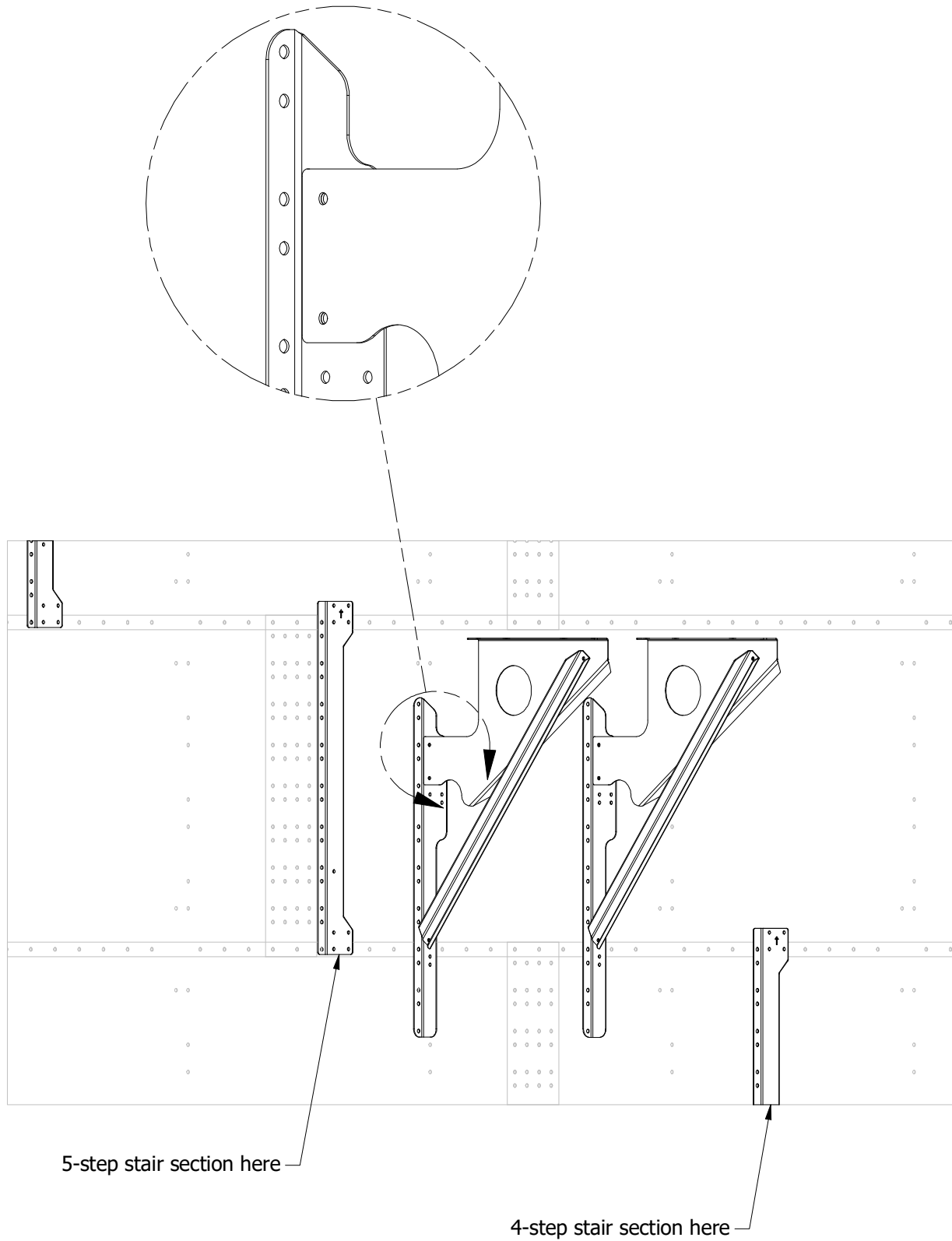
The continuing stair brackets are 12 bolt spaces apart (49.5")



CC3900 Rest Landings - Elevation

The platform supports for the rest landing use the top hole (POS 1)

This elevation allows the rest landing to replace the top step of a regular 5-step section, with a 4-step section used below the platform (see page 32).



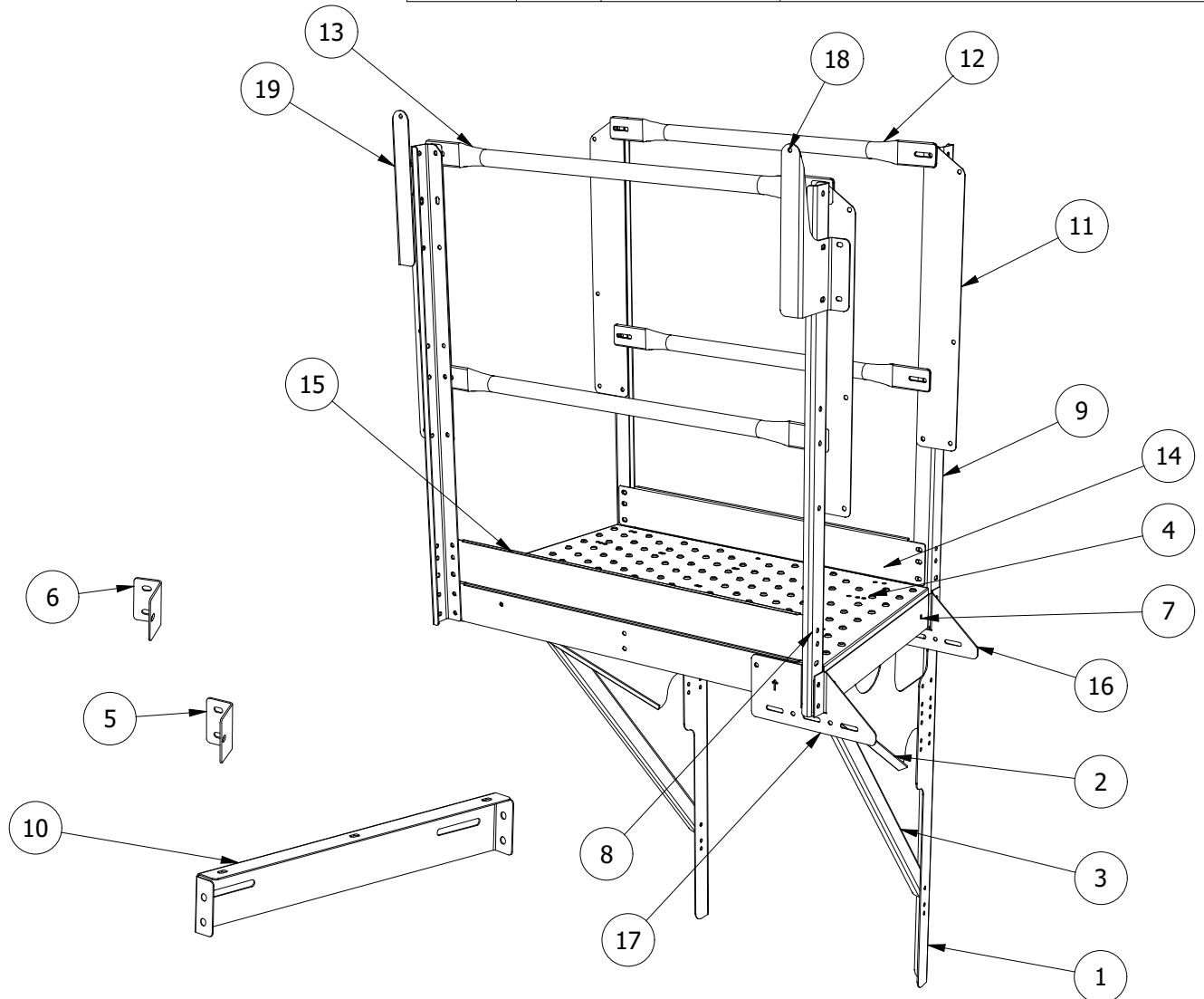
CC3639S Parts List

Rest Landing

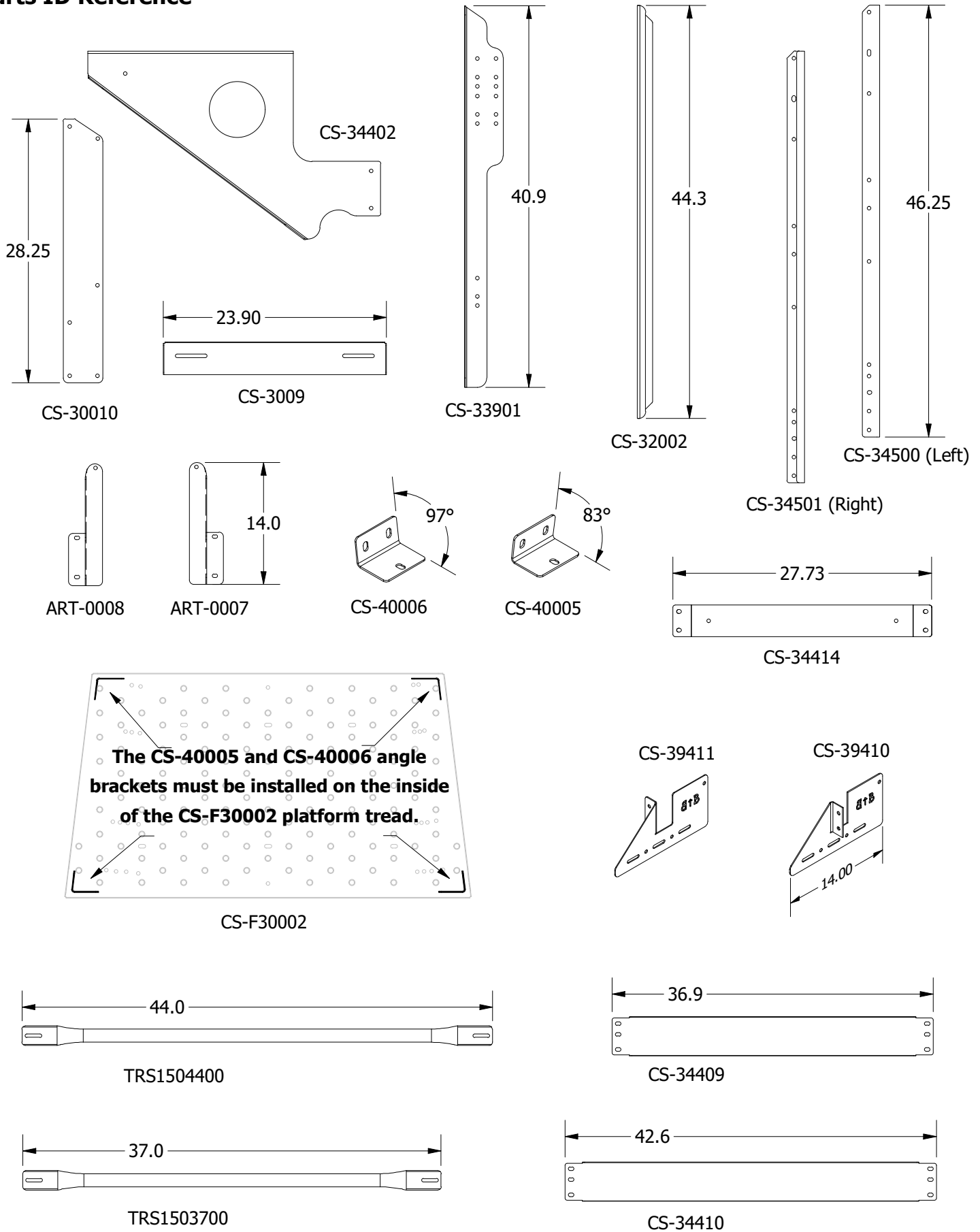
Refer to page 12 and repeat instruction process with these components

PARTS LIST

ITEM	QTY	PART NUMBER	DESCRIPTION
1	2	CS-33901	Bracket, Wall, 39.37 Platform
2	2	CS-34402	Brace, Plate, Platform
3	2	CS-32002	Channel, K-Brace, C-Series
4	1	CS-F30002	Tread, Platform, Short, Trapezoid, 44x24
5	2	CS-40006	Bracket, Brace, Angle, Obtuse
6	2	CS-40005	Bracket, Brace, Angle, Acute
7	2	CS-34414	Bracket, Faceplate
8	2	CS-34501	Angle, Post, J-channel, Left
9	2	CS-34500	Angle, Post, J-channel, Right
10	1	CS-3009	Bracket, Support, Platform
11	4	CS-30010	Bracket, Plate, Handrail
12	2	TRS1503700	37 Long 1.5 in tube railing slotted end tabs
13	2	TRS1504400	44 Long 1.5 in tube railing slotted end tabs
14	1	CS-34409	Channel, Kickboard, Inside, Short
15	1	CS-34410	Channel, Kickboard, Outside, Short
16	1	CS-39410	Lower Stringer Extension
17	1	CS-39411	Lower Stringer Extension
18	1	ART-0007	Entry Guardrail Post Right
19	1	ART-0008	Entry Guardrail Post Left



CC3639S Short Platform Parts ID Reference



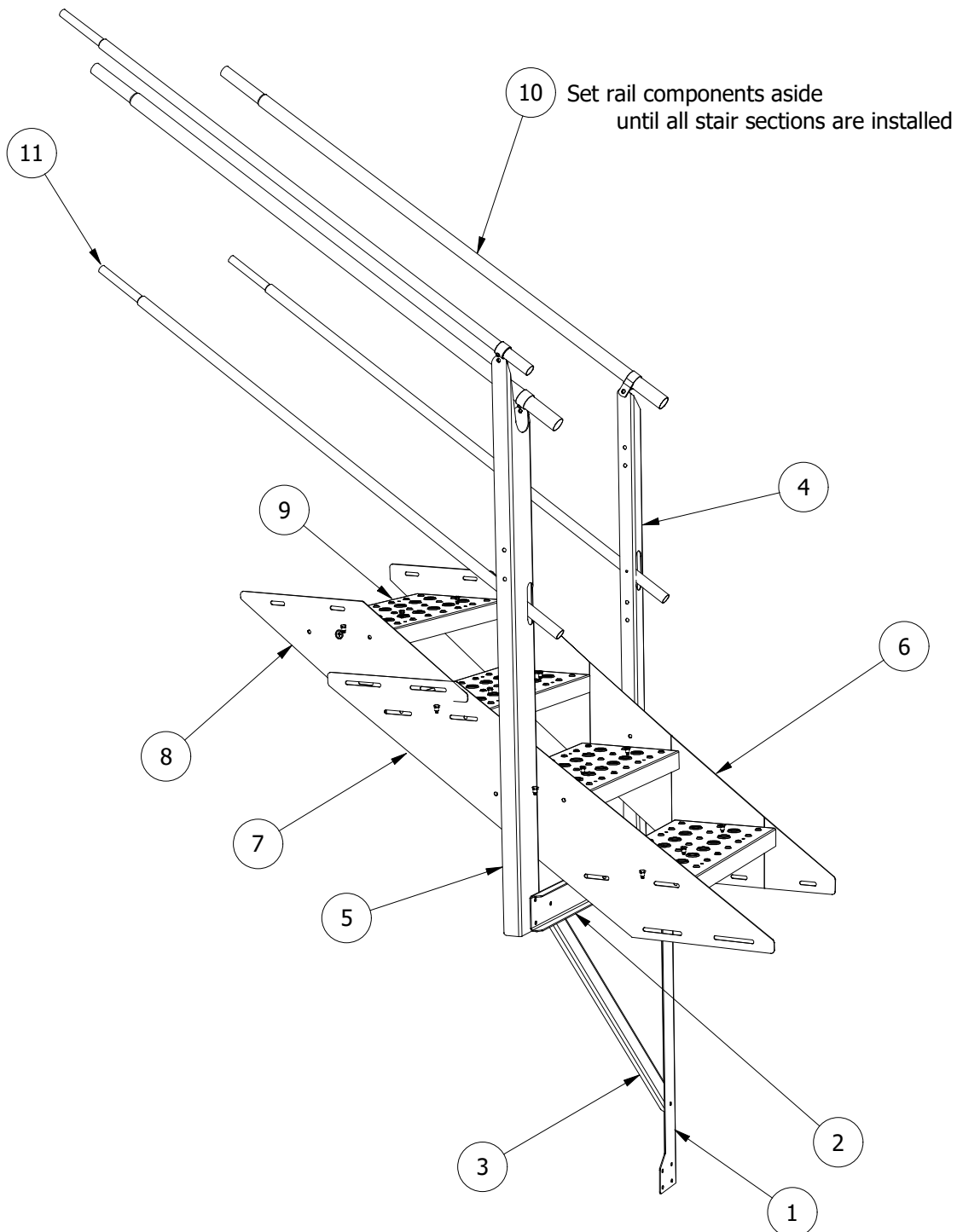
CC3904 4-step Stair Section

This is the stair section used below the rest landings.

The rest landing serves as the "5th step" (top step) in the layout.

PARTS LIST

ITEM	QTY	PART NUMBER	DESCRIPTION
1	1	CS-39001	Bracket, Wall, 39.37" Stair
2	1	CS-40002	Channel, Crossbar
3	1	CS-32002	Channel, K-Brace, C-Series
4	1	CS-40001	Post, Inside Stair
5	1	CS-40011	Post, Stair Rail, Guard Rail Outside
6	1	CS-39044	39 Stringer, Inside, 4 Step
7	1	CS-39048	39 Stringer, Outside, 3 Step
8	1	CS-39046	39 Stringer, Outside, 1 Step
9	4	CS41224	Tread 24x12
10	2	TR1506706	67" x1.5" dia Tubing, 6" swage
11	3	TR1006706	67" x1" dia Tubing, 6" swage

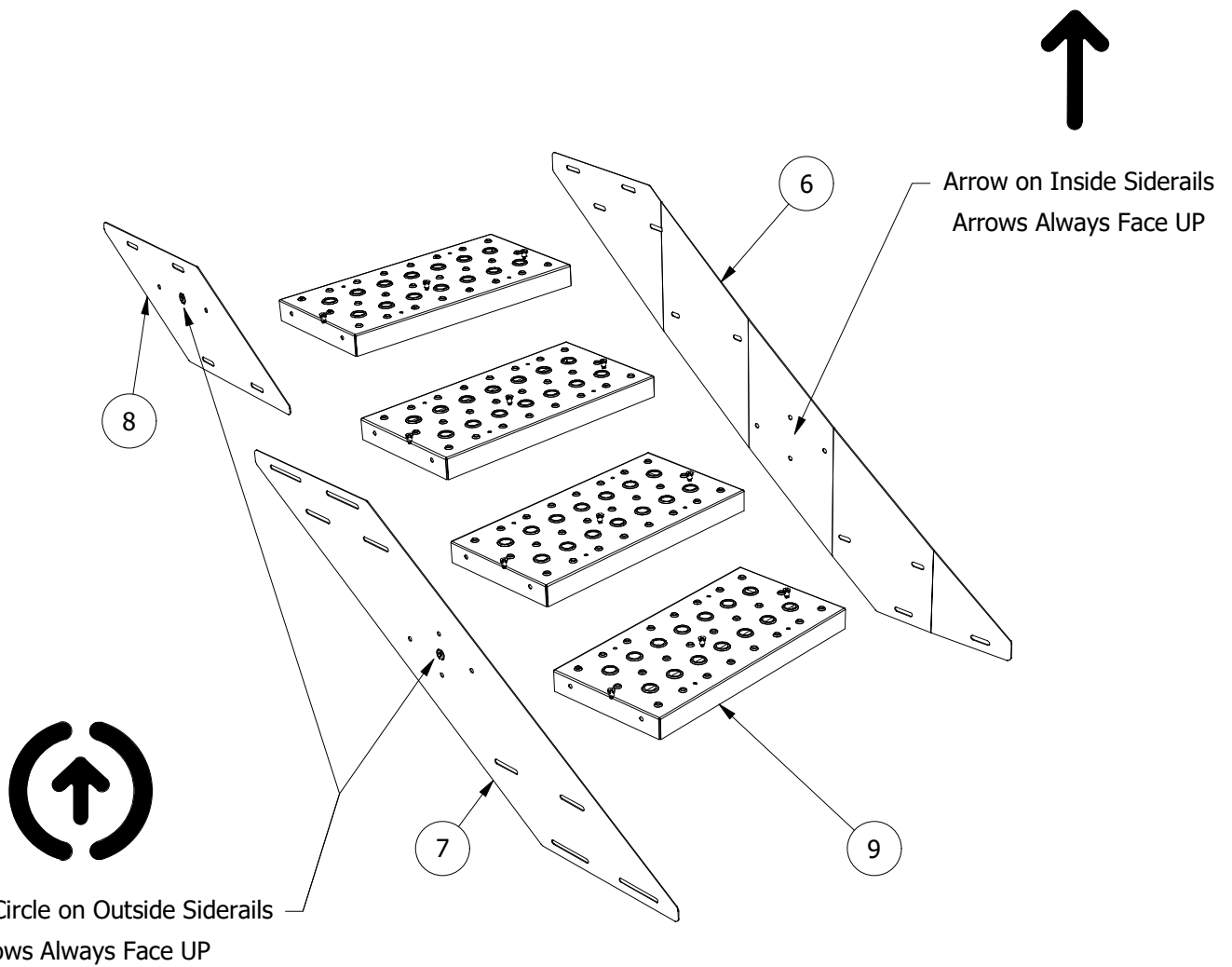


CC3904
4-step Stair Section

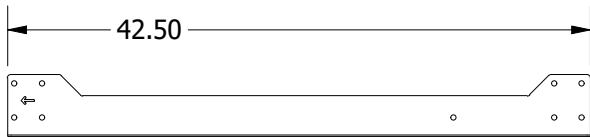
On the CC3904 stair section,
the inside siderail is a one piece 4-step,
the outside siderail is a two piece, 3-step and 1-step.

PARTS LIST

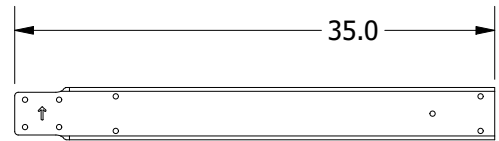
ITEM	QTY	PART NUMBER	DESCRIPTION
6	1	CS-39044	39 Stringer, Inside, 4 Step
7	1	CS-39048	39 Stringer, Outside, 3 Step
8	1	CS-39046	39 Stringer, Outside, 1 Step
9	4	CS41224	Tread 24x12



CC3904 Parts ID



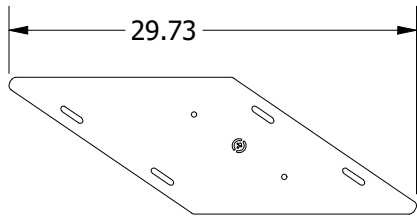
CS-39001



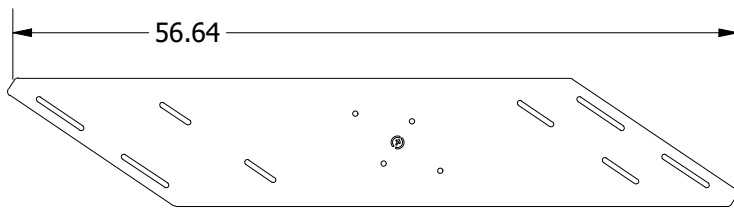
CS-40002



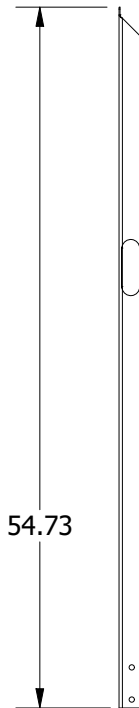
CS-32002



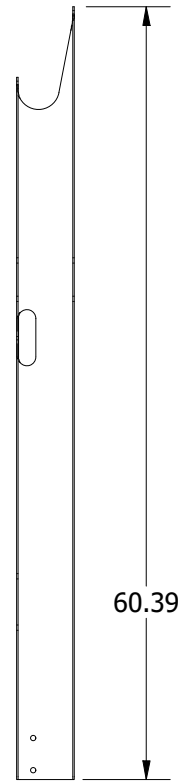
CS-39046



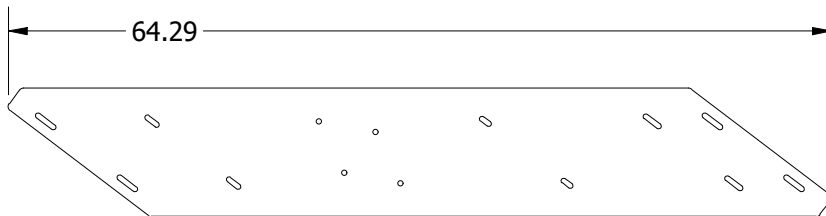
CS-39048



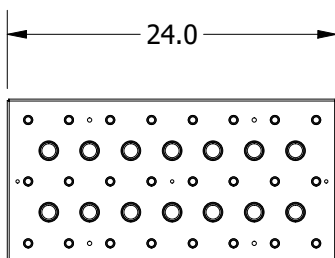
CS-40001



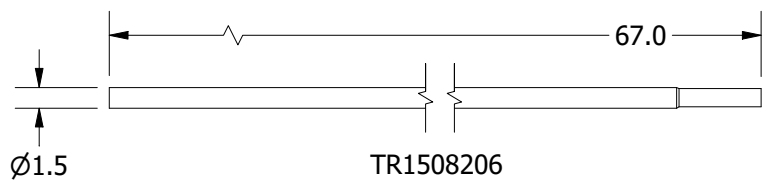
CS-40011



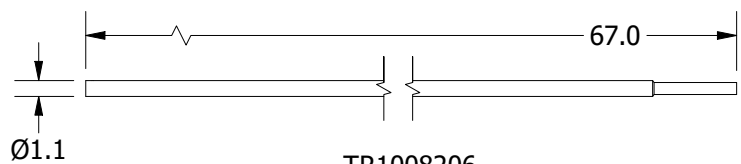
CS-39044



CS41224



TR1508206



TR1008206

**A-Frame
Bottom Section**

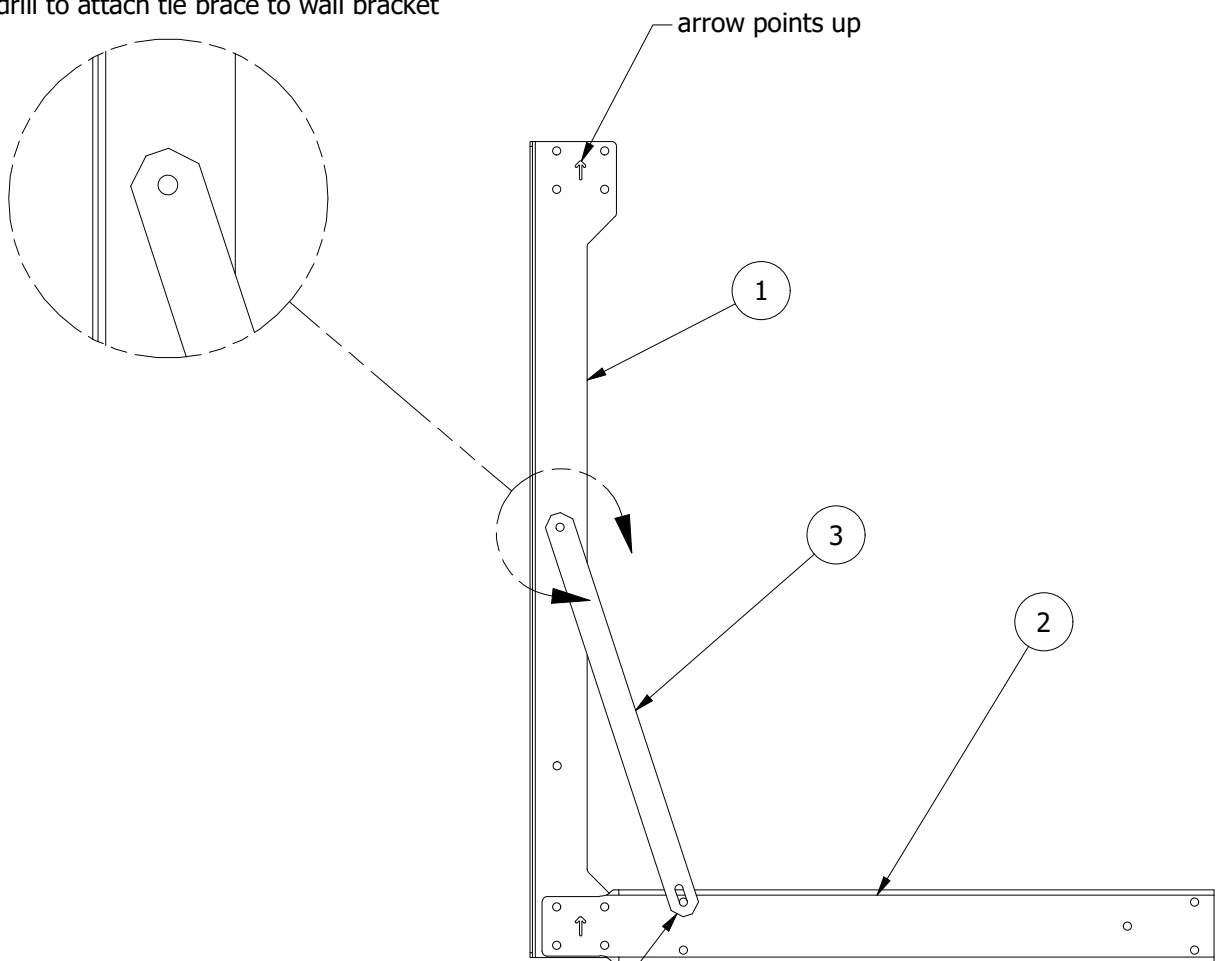
PARTS LIST			
ITEM	QTY	PART NUMBER	DESCRIPTION
1	1	CS-39001	Bracket, Wall, 39.37" Stair
2	1	CS-40002	Channel, Crossbar
3	1	AS-40004	Bracket, Tie Brace

The bottom stair section is attached to the bottom bin sheet with the same wall bracket (CS-39001) and crossbar (CS-40002), but the crossbar is now bolted at the bottom of the wall bracket.

Use the CS-40004 tie brace from the top platform package (see page 17) to reinforce the crossbar. The slotted end is sandwiched between the crossbar and the inside post in the top hole as shown.

Drill a hole in the wall bracket to attach the other end.

Field-drill to attach tie brace to wall bracket

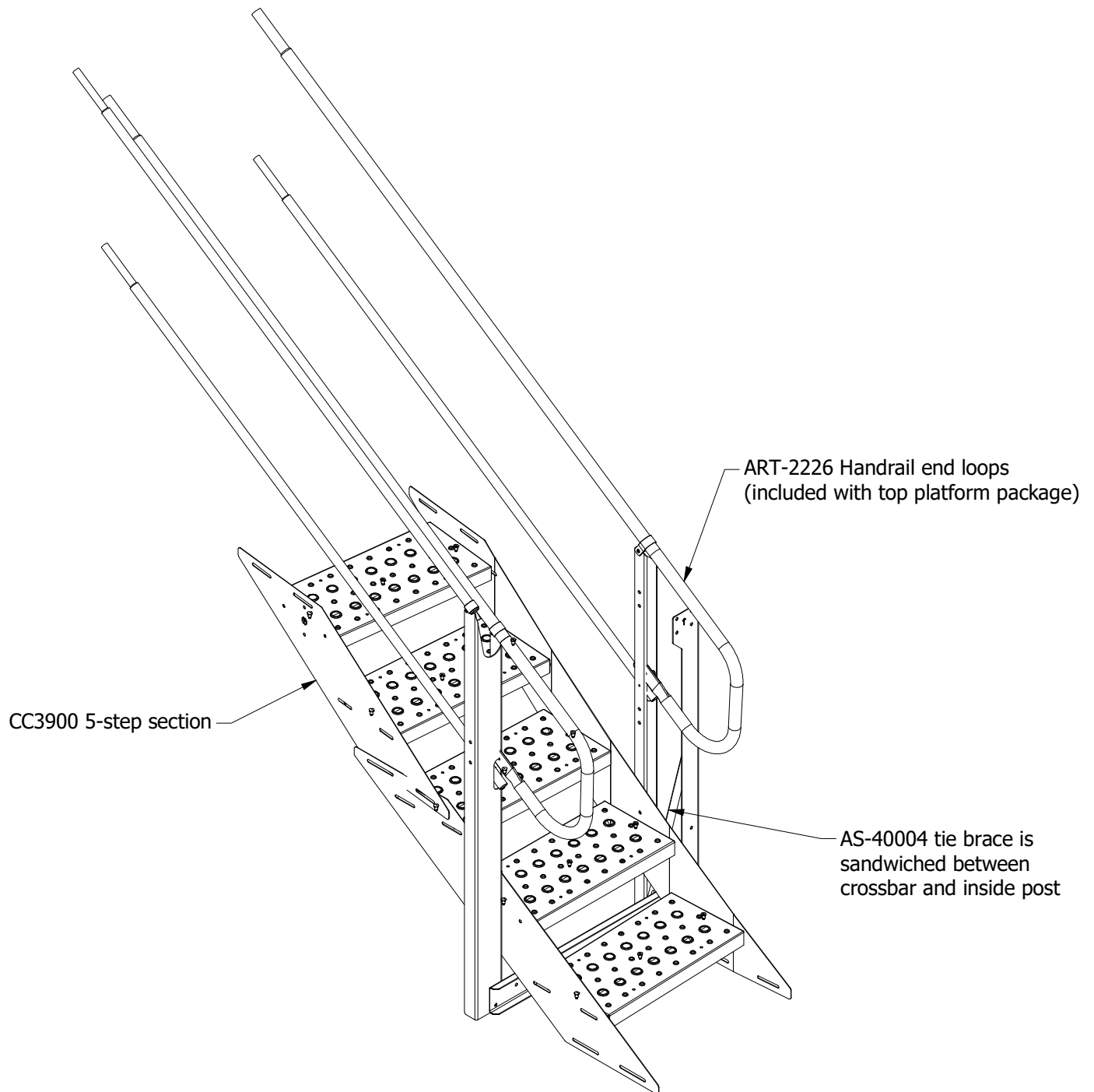


slotted end sandwiched behind inside post

Bottom Stair Section

The bottom section is a regular CC3900 5-step stair section, the posts attach to the crossbar in the same way as before.

Use the ART-2226 handrail end loops to estimate the placement of the first handrail section. Once the handrail is attached, insert the end loops with the swaged end pointed up and bolt the flattened end to the posts near the midrail.

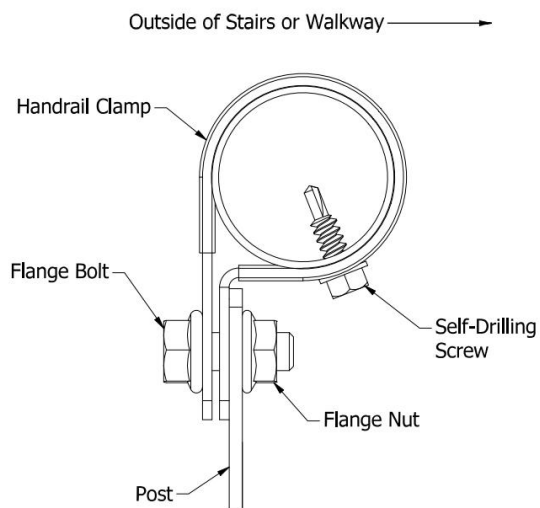
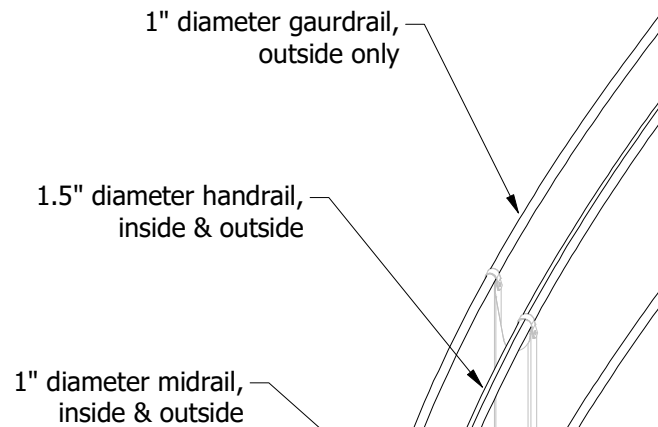


Installing Handrails


It is recommended to use a Tube Roller Former as shown in the picture; form inside rails to match bin sheet curvature, form outside rails with slightly less bend.

Alternatively, use an assembled stair section to brace one end of each tube and bend rails by hand

The swaged ends of the rails should point up the stairs.



Detail of Handrail Clamp Assembly

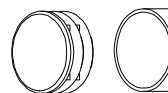
For more information and instructional videos on handrail installation and using a tube roller, go to our website at greenestairs.com and look for the  YouTube channel link.

C-Series Commercial Platforms Midrail, Handrail, and Guardrail

Use the ART-0007 and ART-0008 to terminate guardrails at platform posts. Attach railing to stairs first, allowing the rail to determine the mounting location of the ART mounts as shown:



Insert pipe caps after cutting pipe sections to length but before attaching to stairs



C-Series Commercial Platforms Midrail, Handrail, and Guardrail

Use the CS-30010 Handrail plate to terminate railing and guarding components

