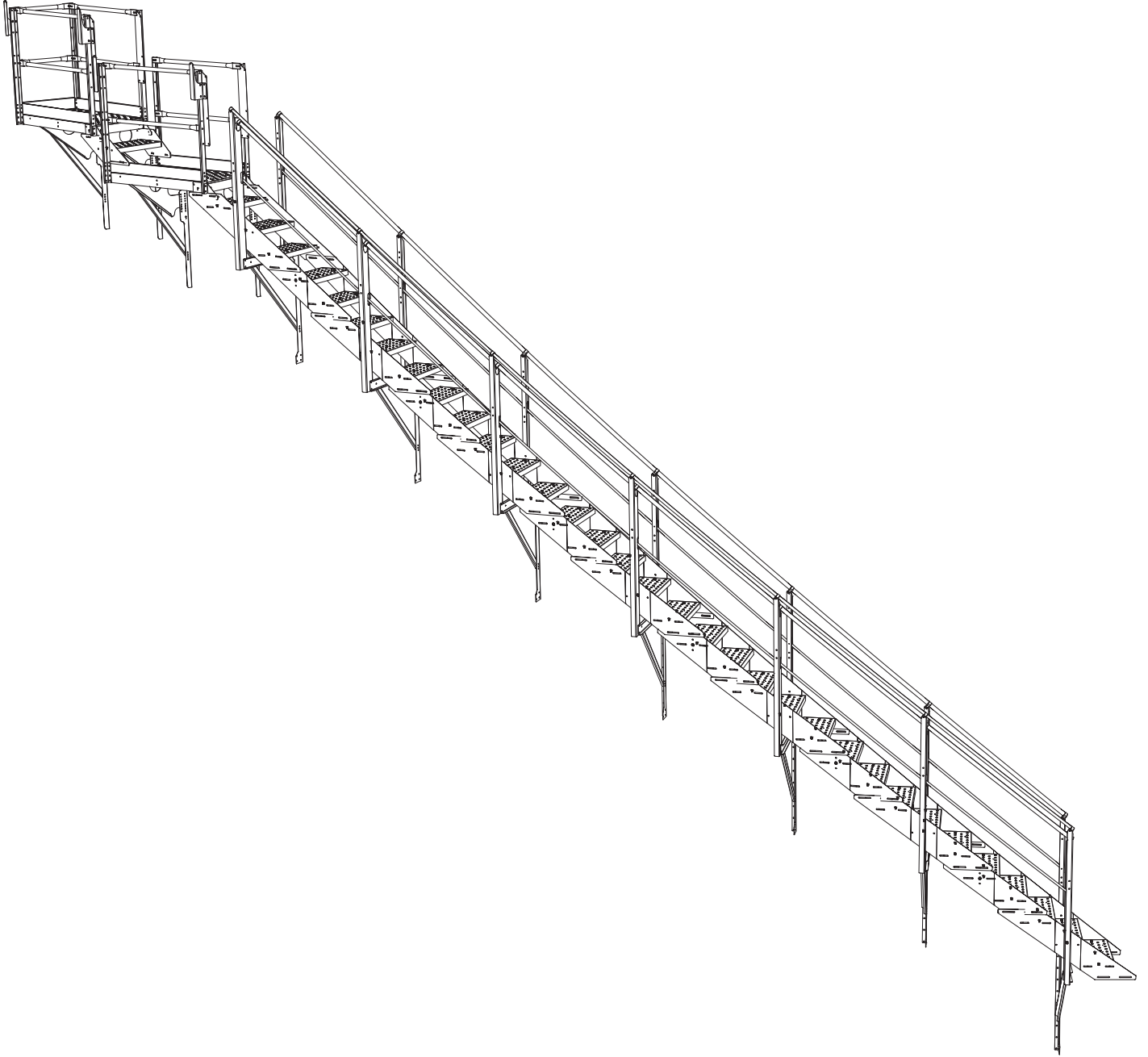


C-Series Sidewall Stairs

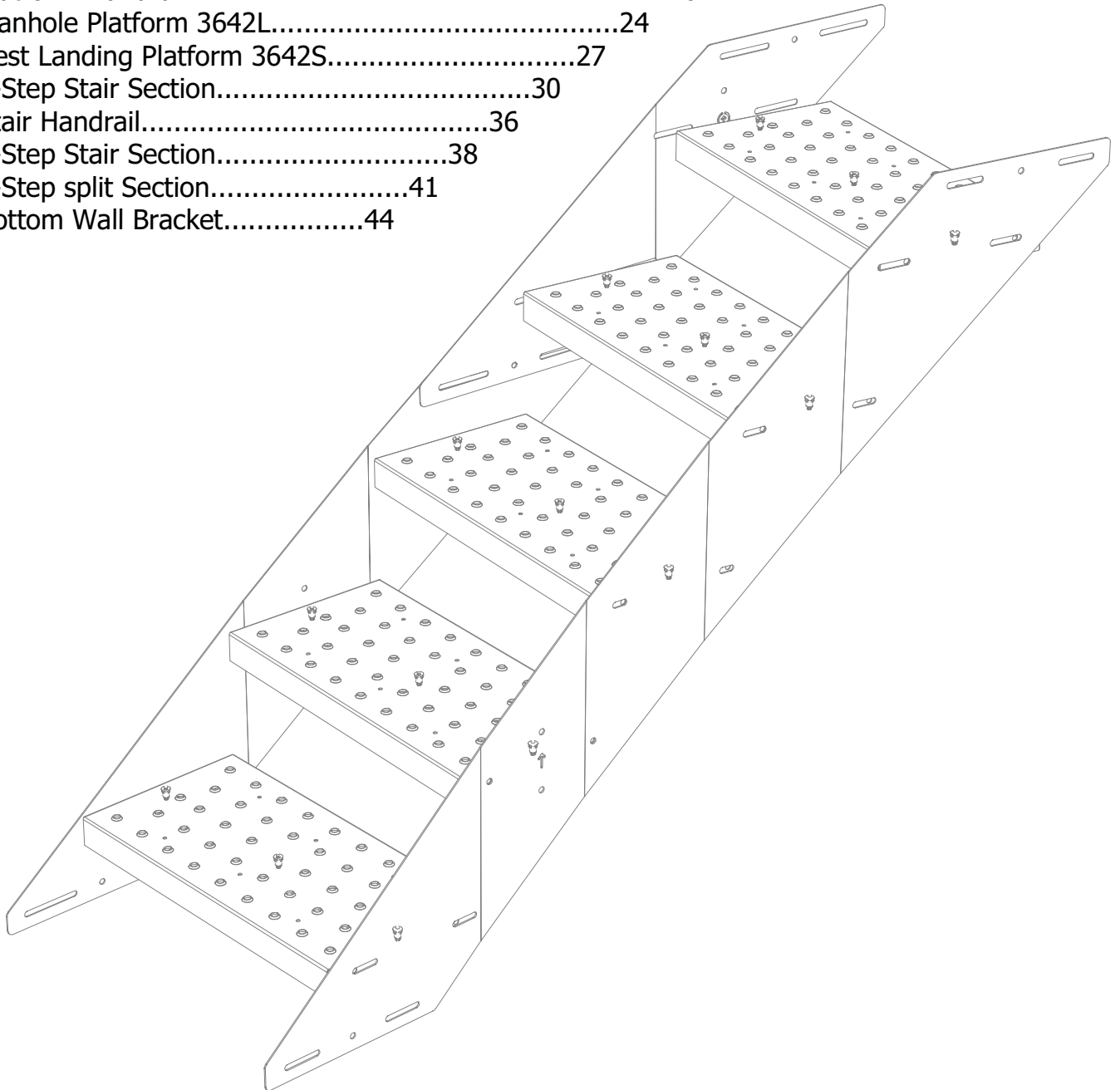
42" Commercial Duty Assembly Instructions & Parts Reference



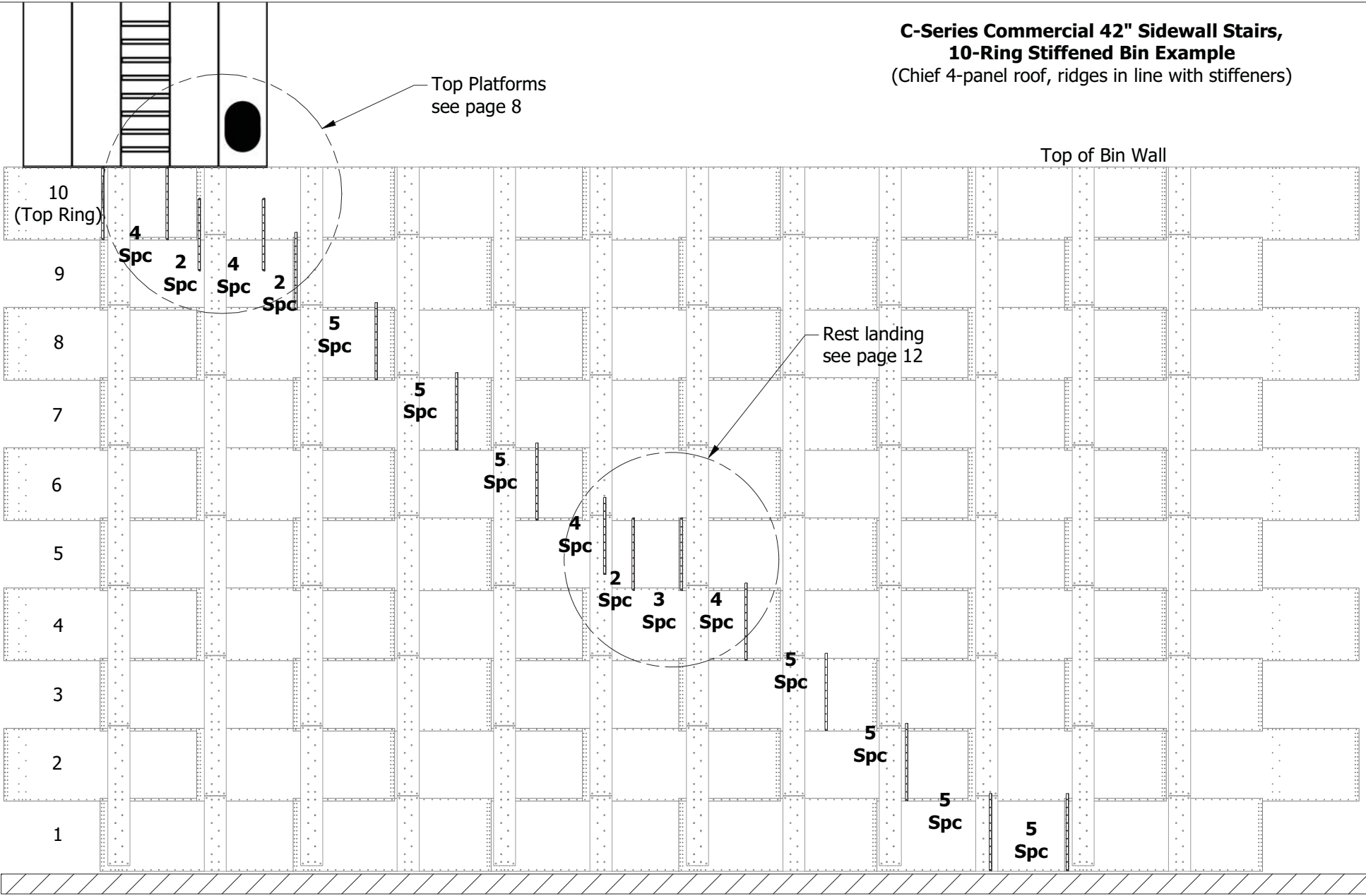
C-Series Sidewall Stairs
42" Commercial System

Document Guide

Wall Bracket Layouts.....3
Position Guides.....6
Eave Platform Layouts.....8
Rest Landing Layouts.....12
Platform 3542L Components & Assembly.....14
Platform Handrail.....20
Manhole Platform 3642L.....24
Rest Landing Platform 3642S.....27
5-Step Stair Section.....30
Stair Handrail.....36
4-Step Stair Section.....38
4-Step split Section.....41
Bottom Wall Bracket.....44



**C-Series Commercial 42" Sidewall Stairs,
10-Ring Stiffened Bin Example**
(Chief 4-panel roof, ridges in line with stiffeners)



Overall Run Distance can be determined using this formula (single-punched bin sheets):

Bolt Spaces: $7 + 5x \text{ ring count} + 3x \text{ rings with landing} = \text{Total Bolt Spaces}$

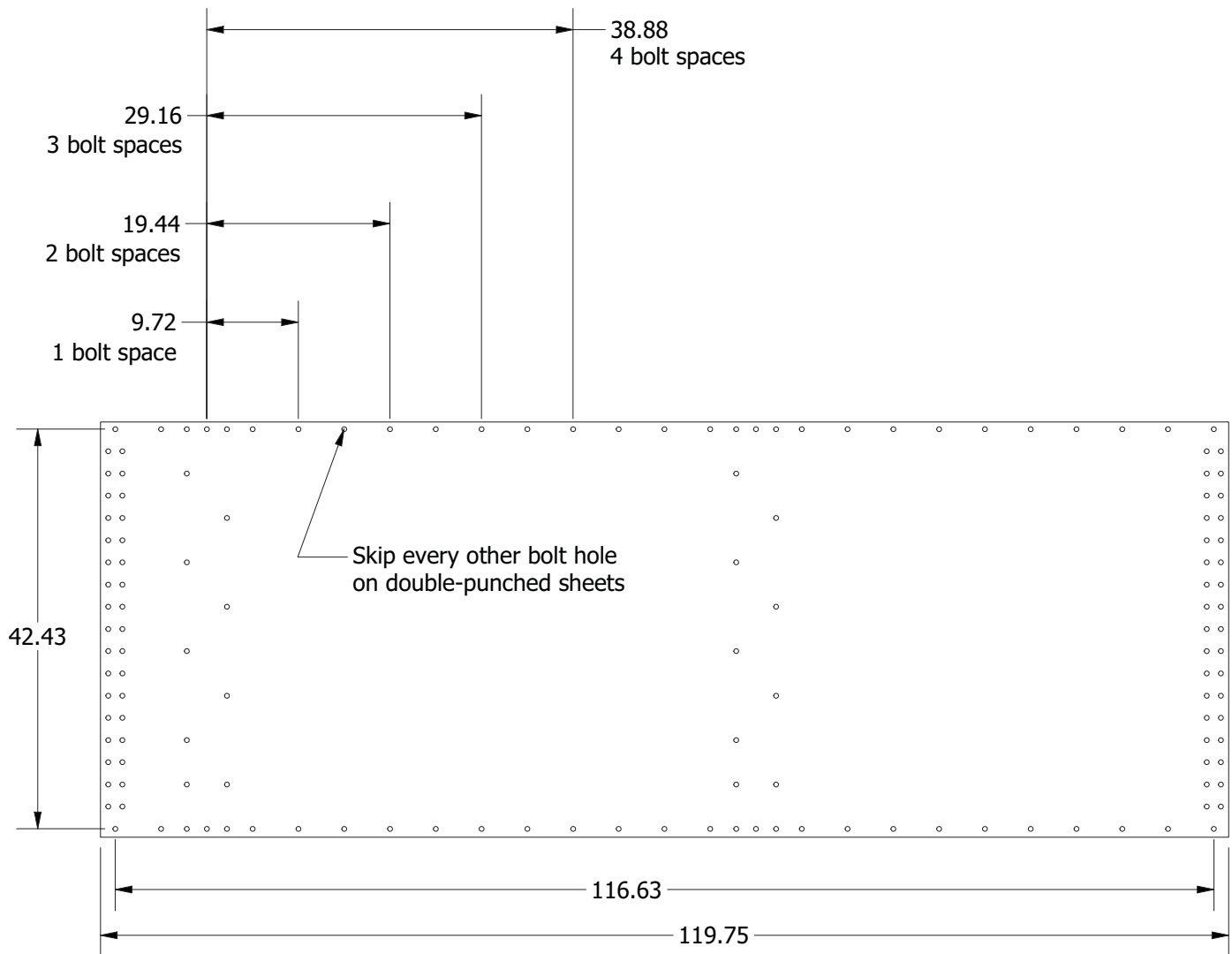
Bin sheets = $\text{Total bolt spaces}/12$

42" Bin Sheet Bolt Spacing

Bin sheets may be single-punched or double-punched. A double-punched sheet is shown below.

Wall bracket placement is marked by "Bolt Spaces" throughout these instructions. On a single-punched 42" sheet, a bolt space is equal to 9.72 inches.

When installing C-Series Commercial systems on double-punched sheets, bolt spaces must be counted at every other bolt hole to ensure the layout is correct.

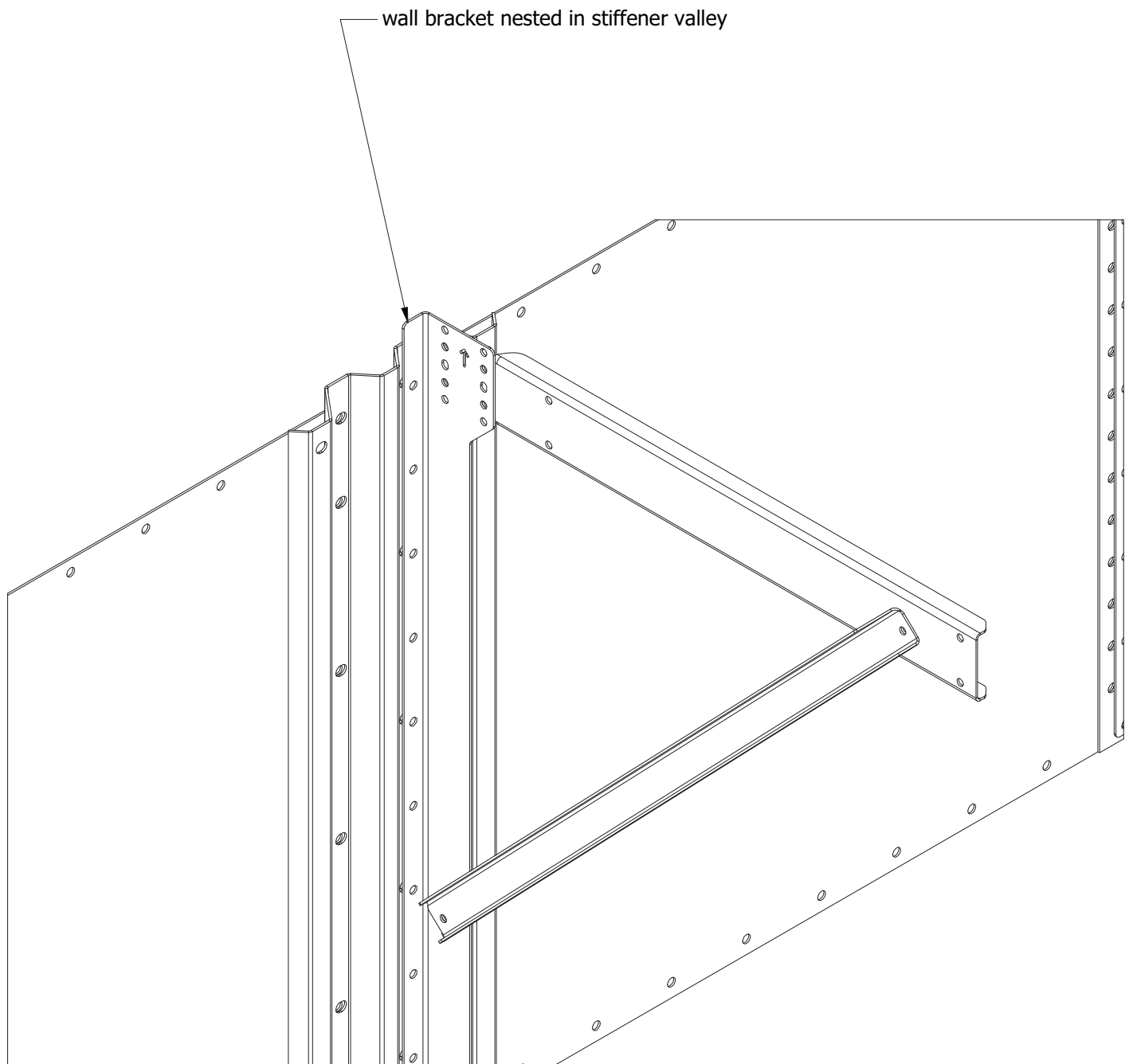


42" Bin Sheet, double-punched example

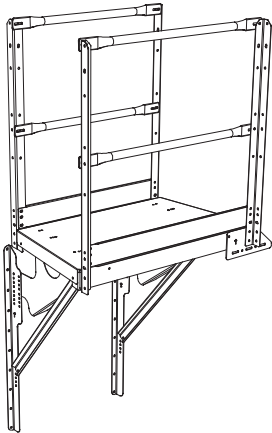
42" Chief Stiffener Accommodation

Standard wall bracket layout may be interrupted by the use of exterior stiffeners
It is recommended to nest the wall bracket in the stiffener valley to utilize existing holes

Minor deviation ($\pm 2"$) from standard bolt spacing can be absorbed by adjustment of stair sections



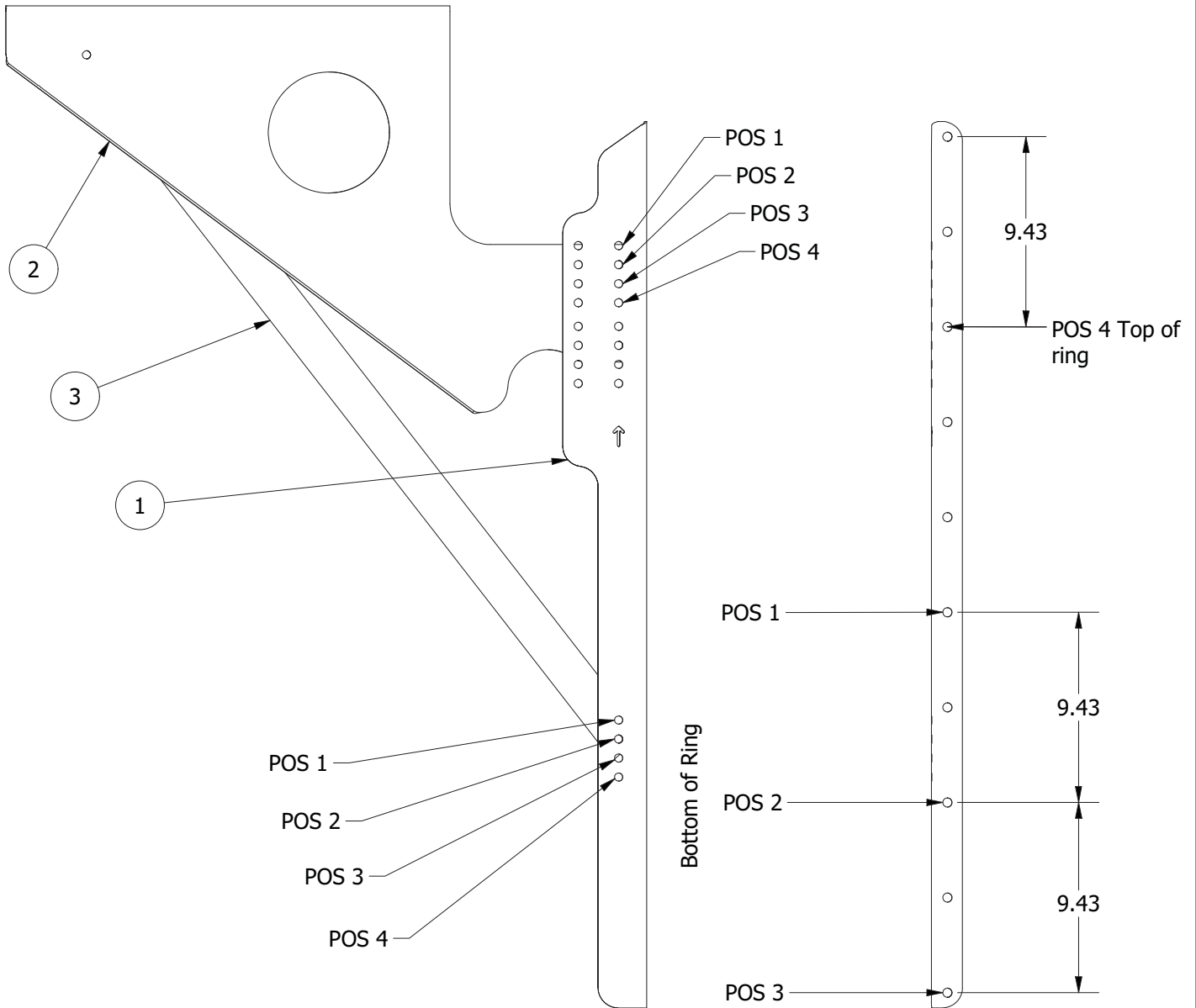
Platform A-Frame 42" Position Guide



PARTS LIST			
ITEM	QTY	PART NUMBER	DESCRIPTION
1	1	CS-34201	Angle, Bracket, Platform
2	1	CS-34402	Brace, Plate, Platform
3	1	CS-32002	Channel, K-Brace, C-Series

There are 4 position adjustments for brackets mounted in, above, or below the seam.

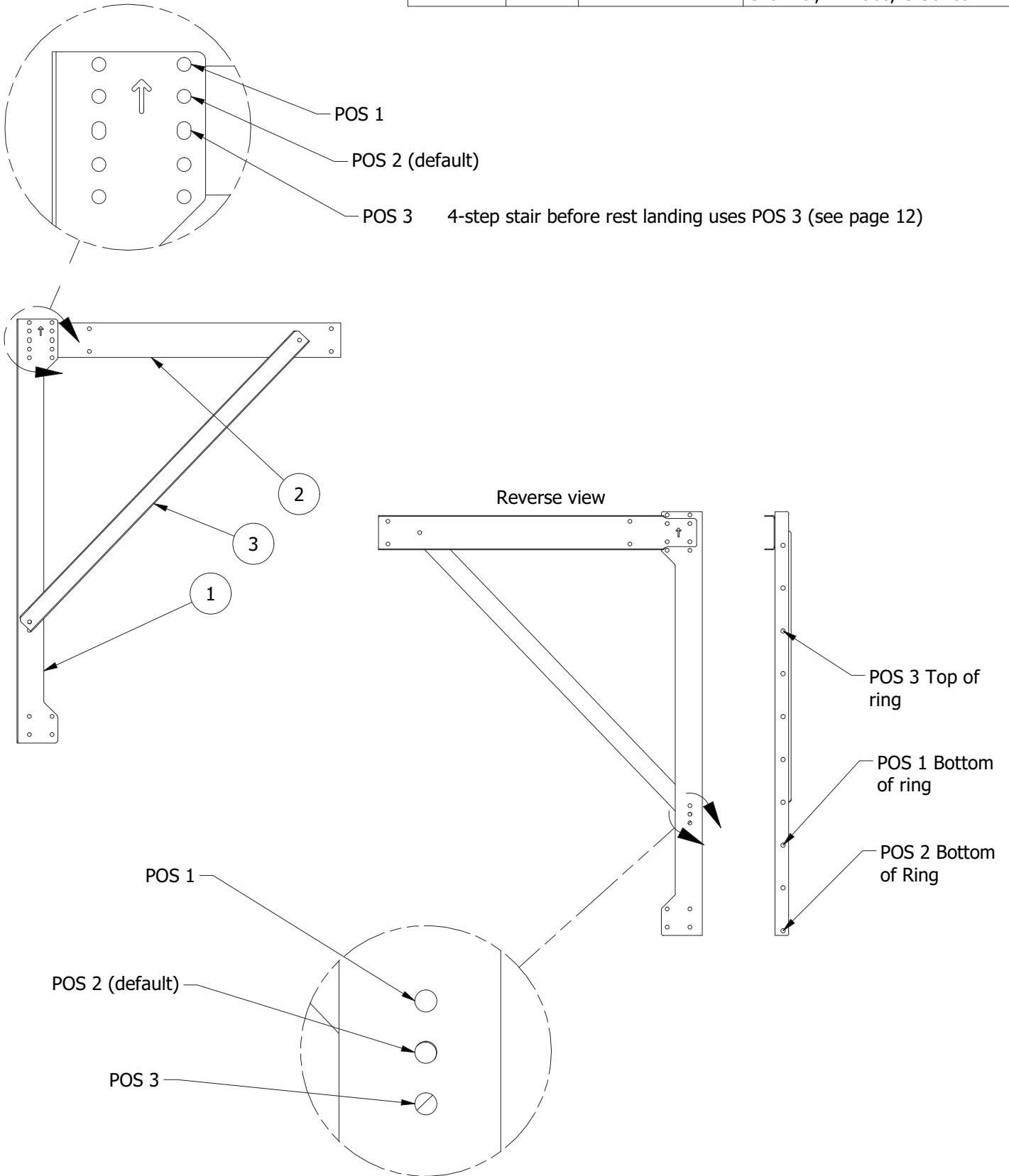
Roof Stair Platform uses POS 3
 Manhole Platform uses POS 1
 Rest Landing Platform uses POS 3 (if 4-step is used, as shown in this manual)



Stair A-Frame 42" Position Guide

PARTS LIST

ITEM	QTY	PART NUMBER	DESCRIPTION
1	3	CS-42001	Bracket, Wall, 42" ring
2	1	CS-40002	Channel, Crossbar
3	1	CS-32002	Channel, K-Brace, C-Series

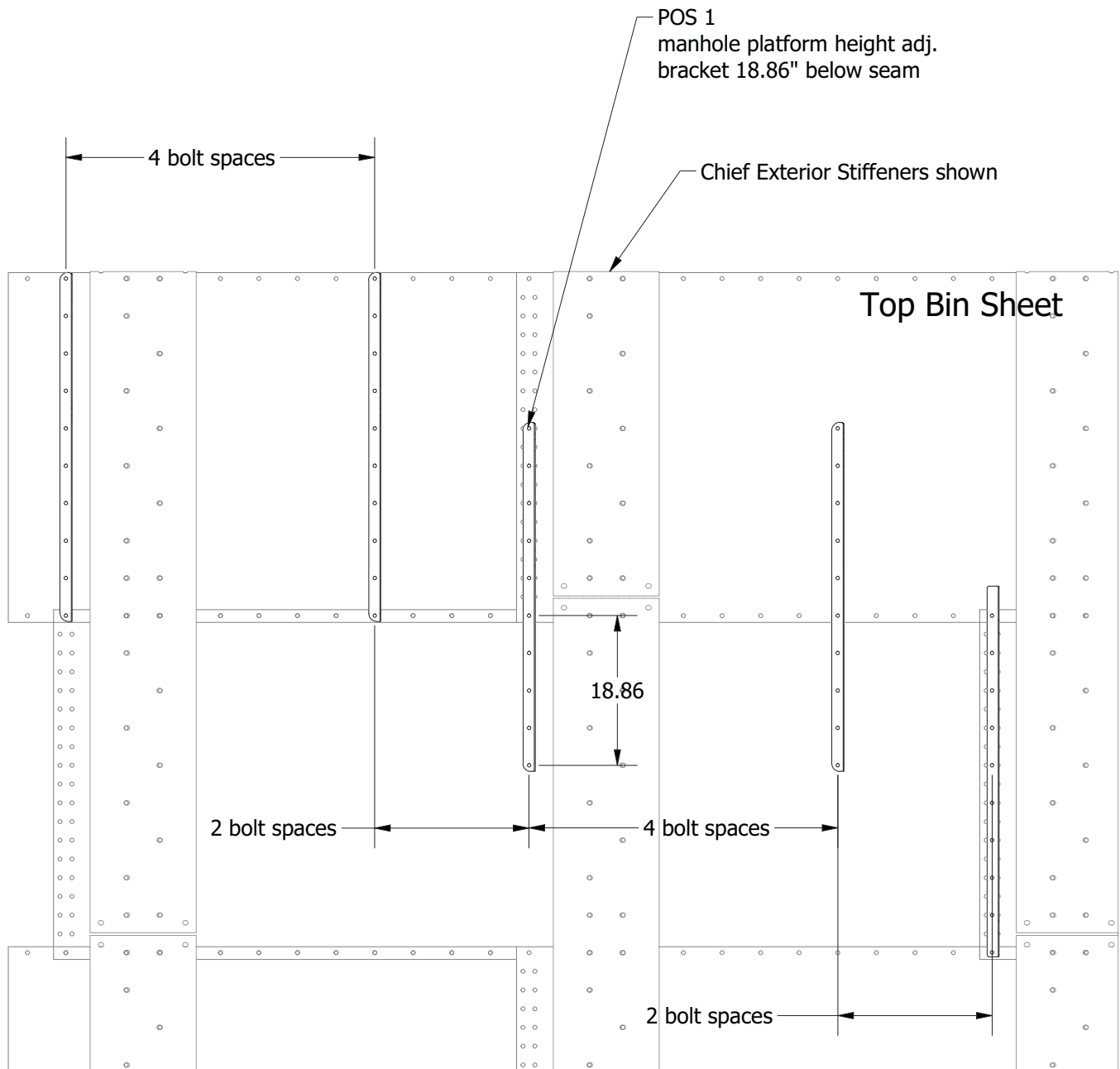


Eave Platform Wall Bracket Horizontal Bolt Spacing, C-Series Commercial 42" Long Platforms

The horizontal spacing between the long eave platform wall brackets is 4 bolt spaces (38.88").

The horizontal spacing from the platform wall bracket to the 3-step stair wall bracket is 2 bolt spaces (19.44").

About 2 inches of variation is allowed for nesting wall brackets in valley of stiffeners, as shown on page 5

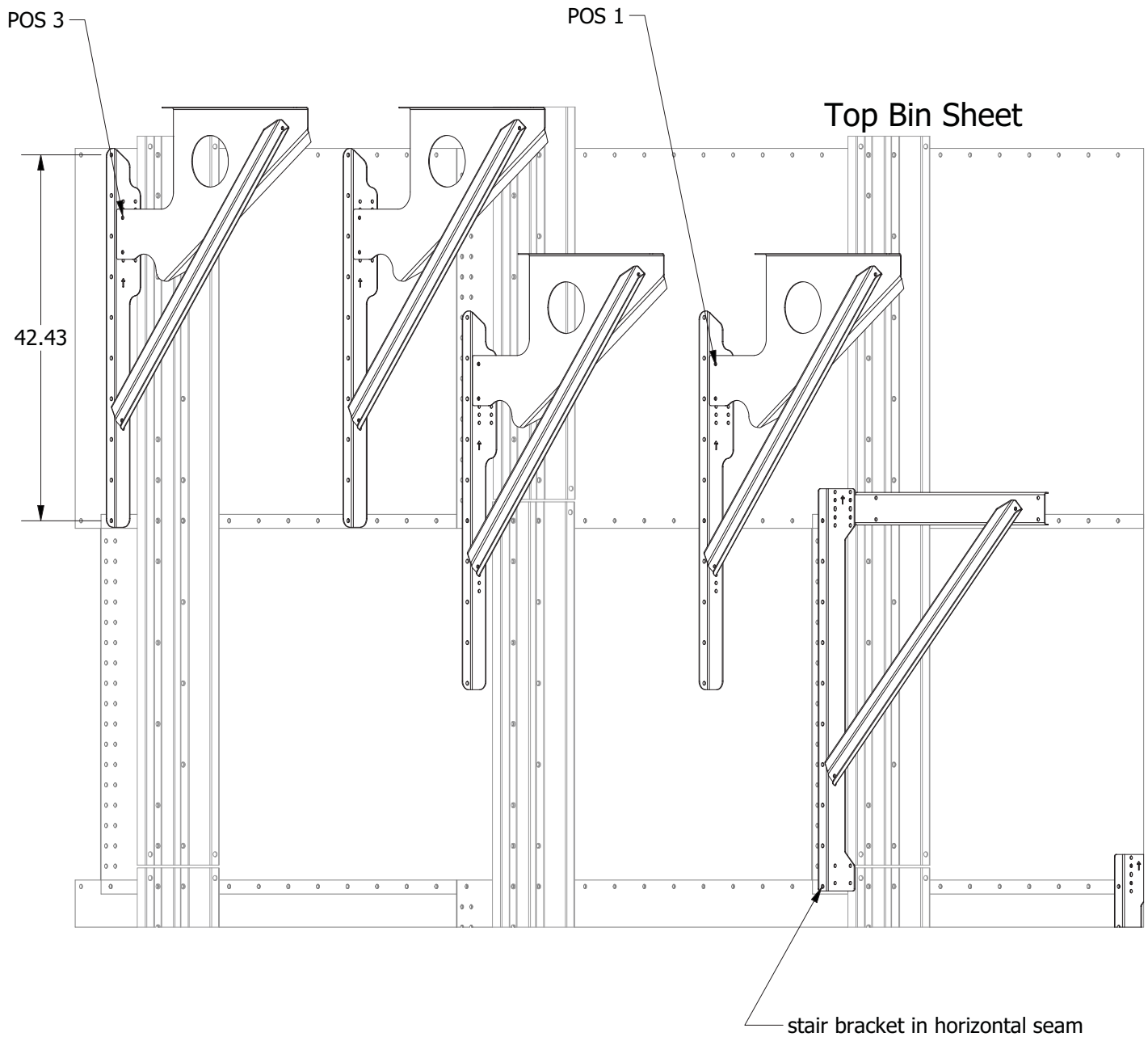


Platform Wall Bracket Horizontal Bolt Spacing, C-Series Commercial 42" Long Platforms

The horizontal spacing between the long eave platform wall brackets is 4 bolt spaces (38.88").

The horizontal spacing from the platform wall bracket to the 3-step stair wall bracket is 2 bolt spaces (19.44").

The roof stair platform supports should be in position 3 and the manhole platform supports should be in position 1 to set correct height.



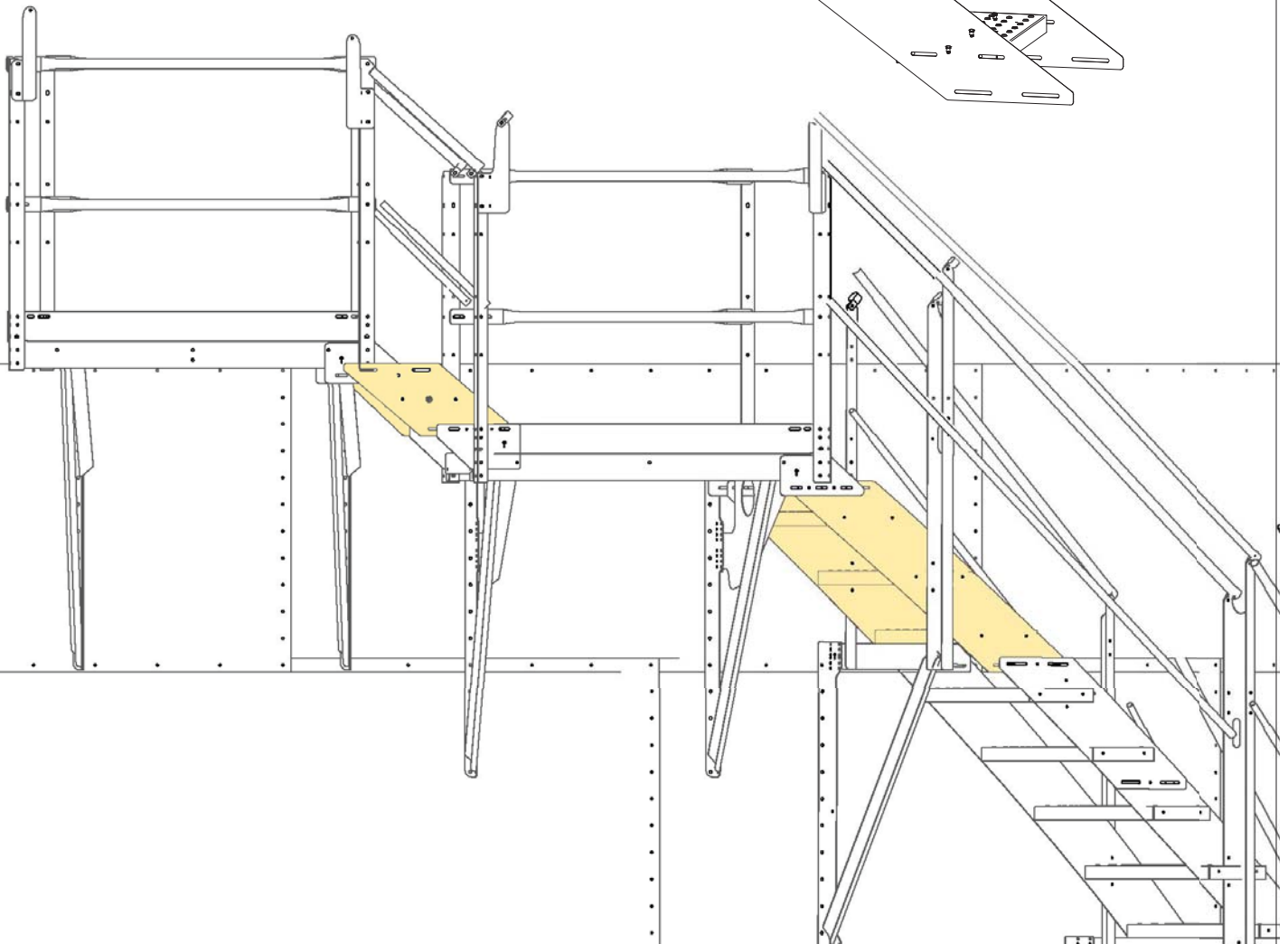
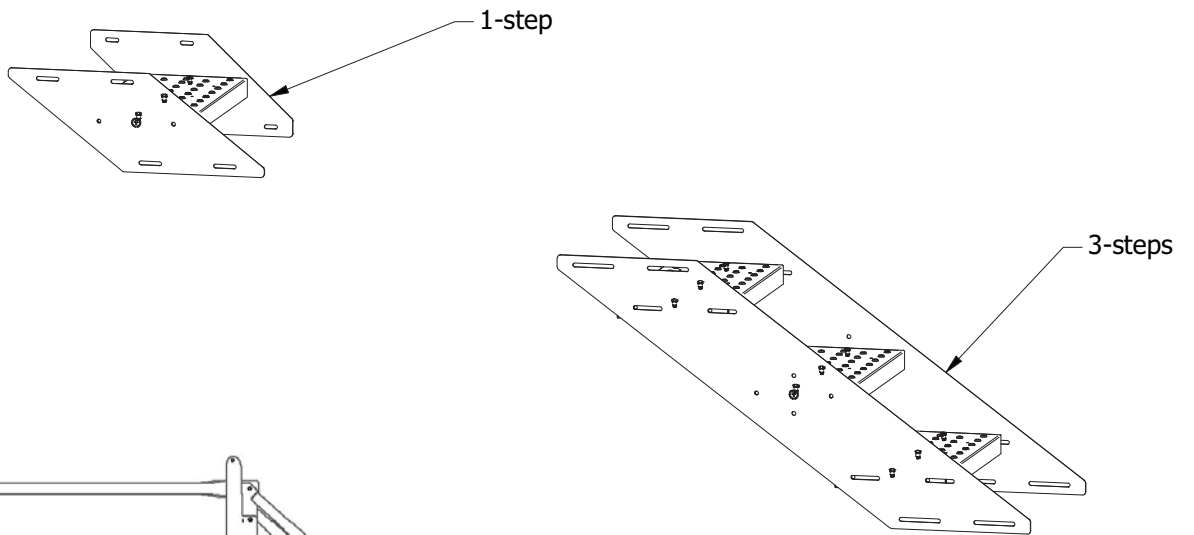
Eave Platform supports and first stair support shown

CC4204P 4-step Split Platform Stair Section

Upper stair sections differ from rest of bin.

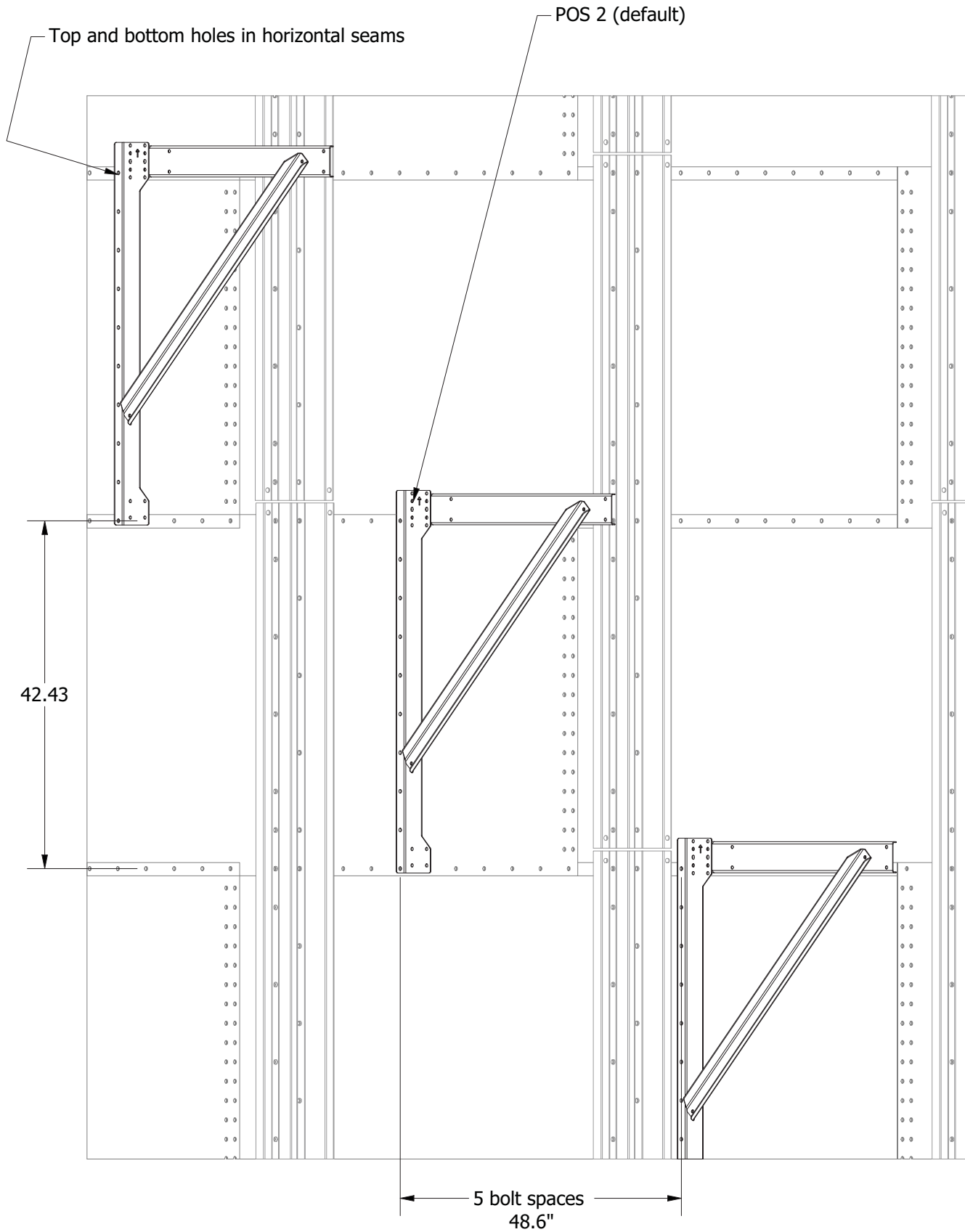
When using on the double eave high-low platforms;
the 1-step stair section is used as a step between the platforms,
the 3-step stair section is used below the lower platform as a starter to connect the 5-step sections.

(see page 41 for component breakdown)



Stair Wall Bracket Horizontal Bolt Spacing, C-Series 42" 5-Step Stair Section

The horizontal spacing between the long eave platform wall brackets is 5 bolt spaces (48.6"), and is consistent the remainder of the way down the bin, unless using a rest landing.

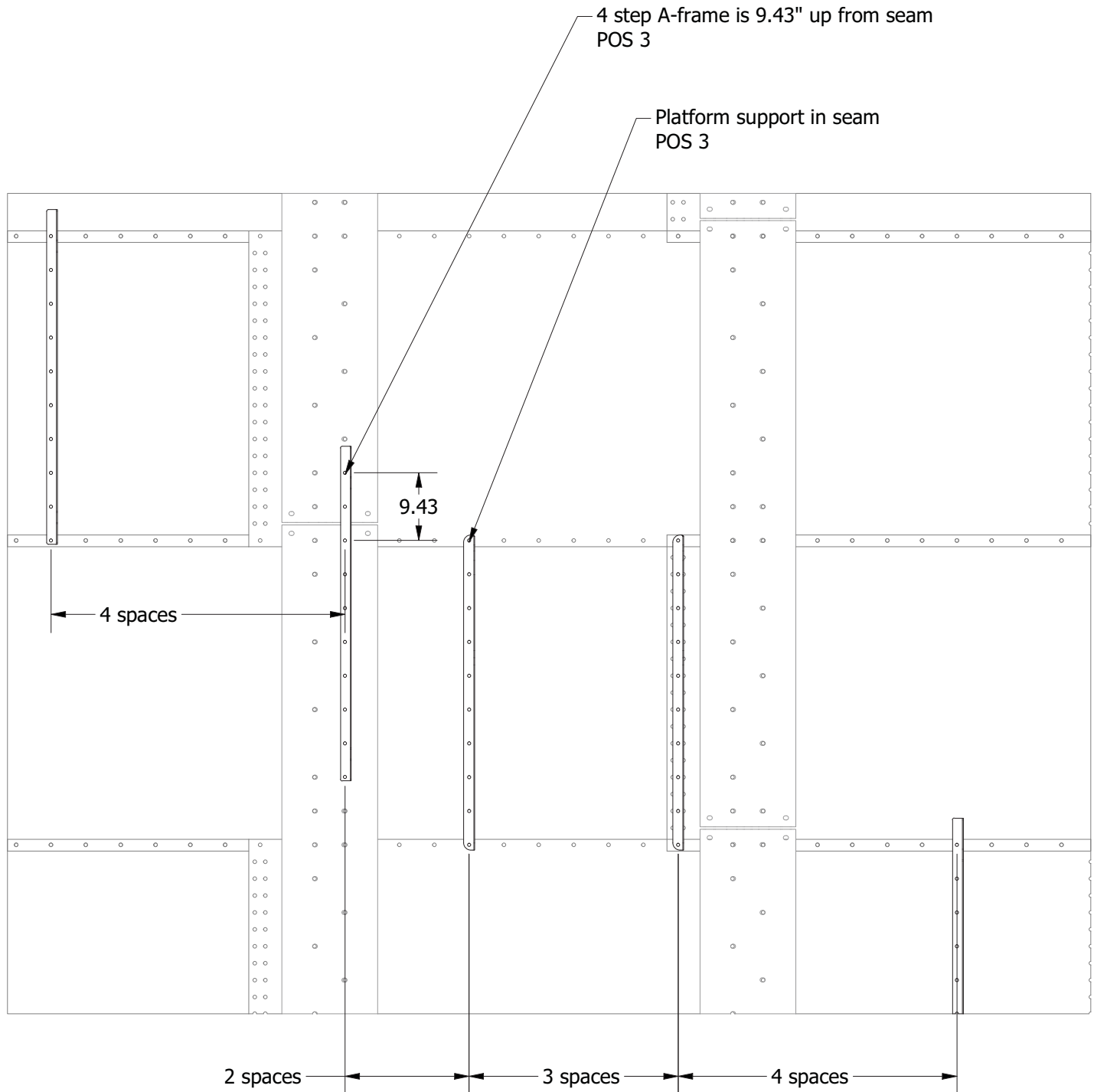


Stair Bracket Horizontal Bolt Spacing, CC4204 4 Step Stair Section and CC3642S Short Rest Landing Platform

For the brackets supporting a rest landing CC3642S (as shown below), there is a progression of 4 spaces, 2 spaces, 3 spaces, 4 spaces. The layout then returns to 5 bolt spaces between each wall bracket.

The 4-step A-frame should be assembled in Position 3 (see page 7)

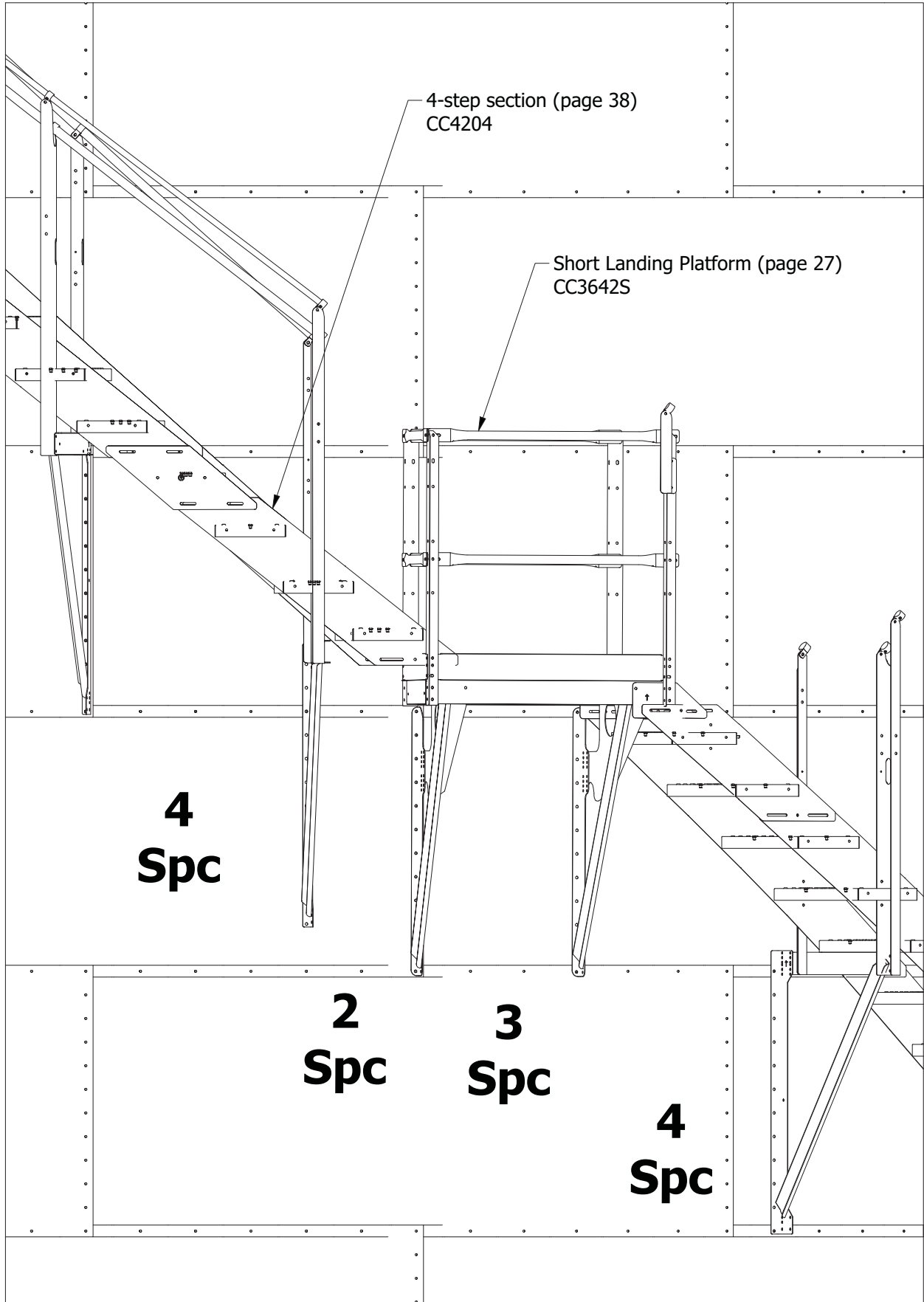
See next page for 3D view of brackets, stairs, and rest landing



Landing Platform 3D view

Built-out example shows top down

4-2-3-4 spacing

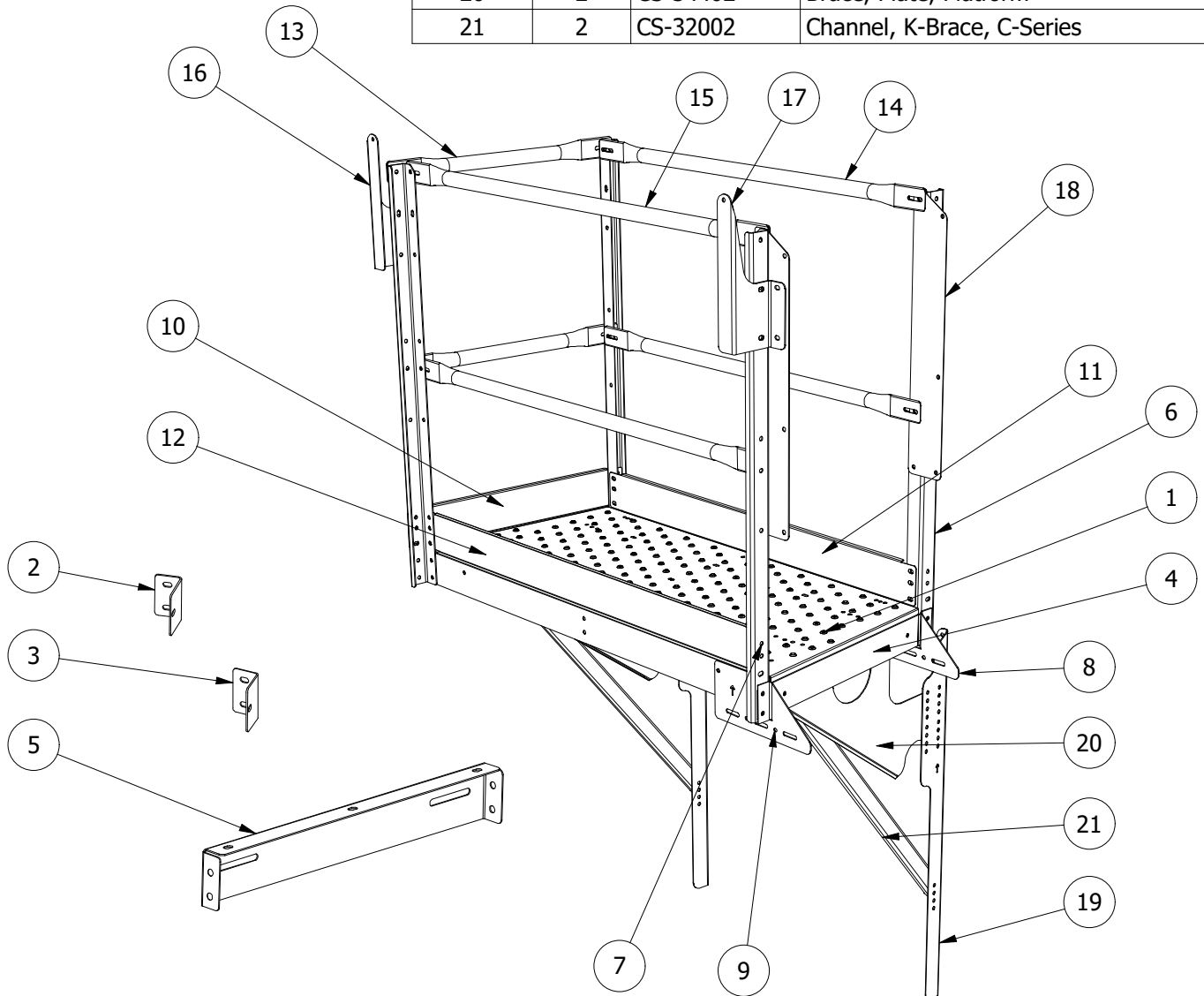


**CC3542L Parts List,
C-Series Commercial 42"**

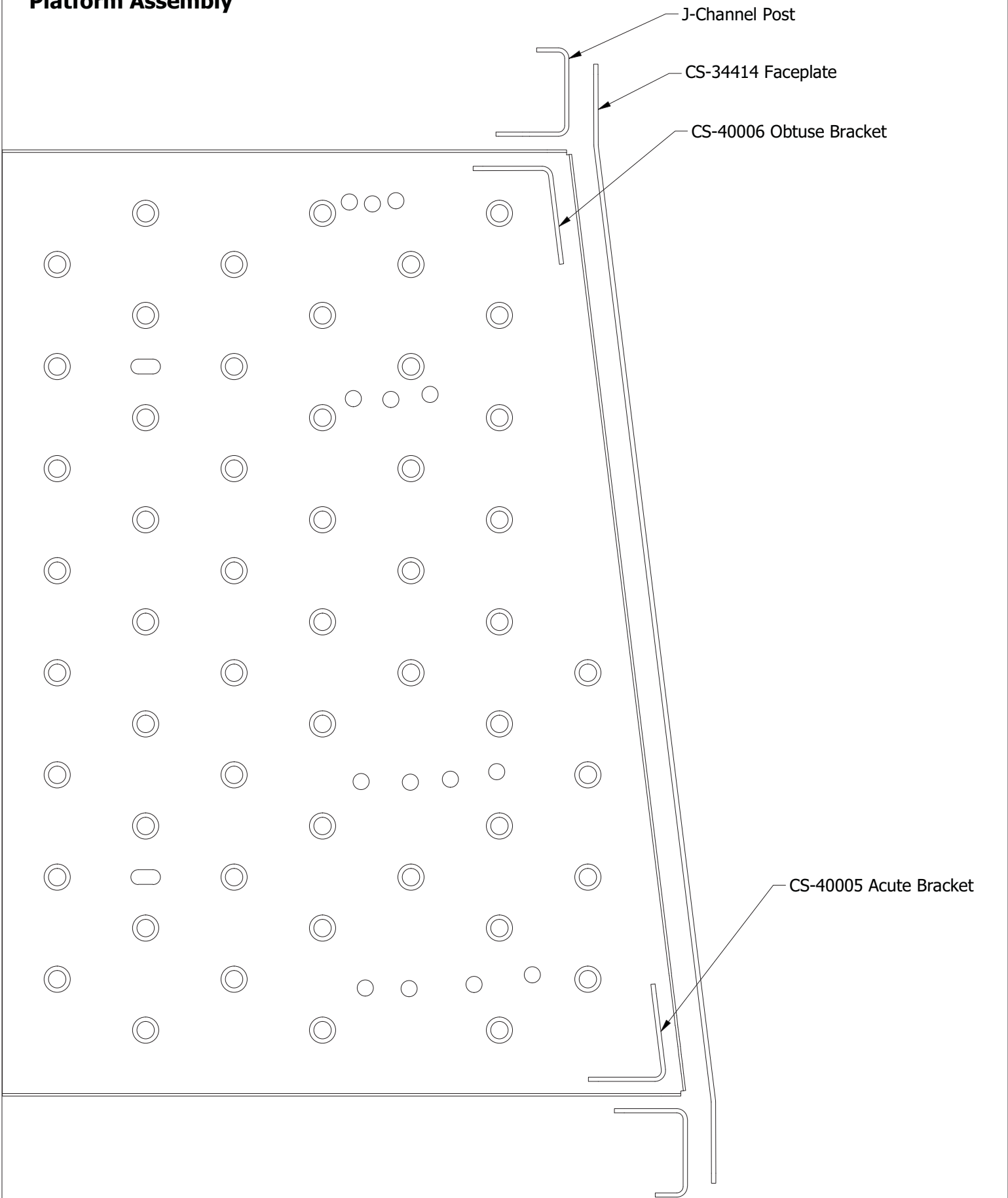
Roof Stair Platform

PARTS LIST

ITEM	QTY	PART NUMBER	DESCRIPTION
1	1	CS-F30001	Tread, Platform, Trapezoid 55x24
2	2	CS-40005	Bracket, Brace, Angle, Acute
3	2	CS-40006	Bracket, Brace, Angle, Obtuse
4	2	CS-34414	Bracket, Faceplate
5	1	CS-3009	Bracket, Support, Platform
6	2	CS-34500	Angle, Post, J-channel, Right
7	2	CS-34501	Angle, Post, J-channel, Left
8	1	CS-40410	Stringer Extension 44, Right
9	1	CS-40411	Stringer Extension 44, Left
10	1	CS-34408	Channel, Kickboard, End
11	1	CS-34407	Channel, Kickboard, Inside, Long
12	1	CS-34406	Channel, Kickboard, Outside Long
13	2	TRS1502800	28" long 1.5 in tube railing slotted end tabs
14	2	TRS1504800	48" long 1.5 in tube railing slotted end tabs
15	2	TRS1505400	54" long 1.5 in tube railing slotted end tabs
16	1	ART-0008	Entry Guardrail Post Left
17	1	ART-0007	Entry Guardrail Post Right
18	2	CS-30010	Bracket, Plate, Handrail
19	2	CS-34201	Angle, Bracket, Platform 42.428
20	2	CS-34402	Brace, Plate, Platform
21	2	CS-32002	Channel, K-Brace, C-Series

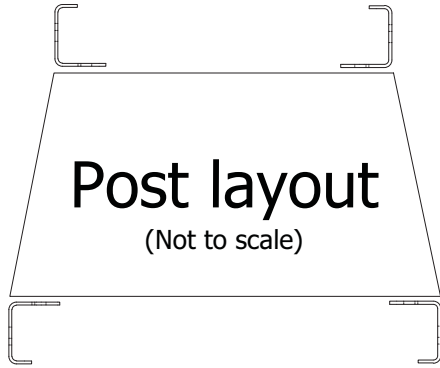


C-Series Commercial Platform Assembly

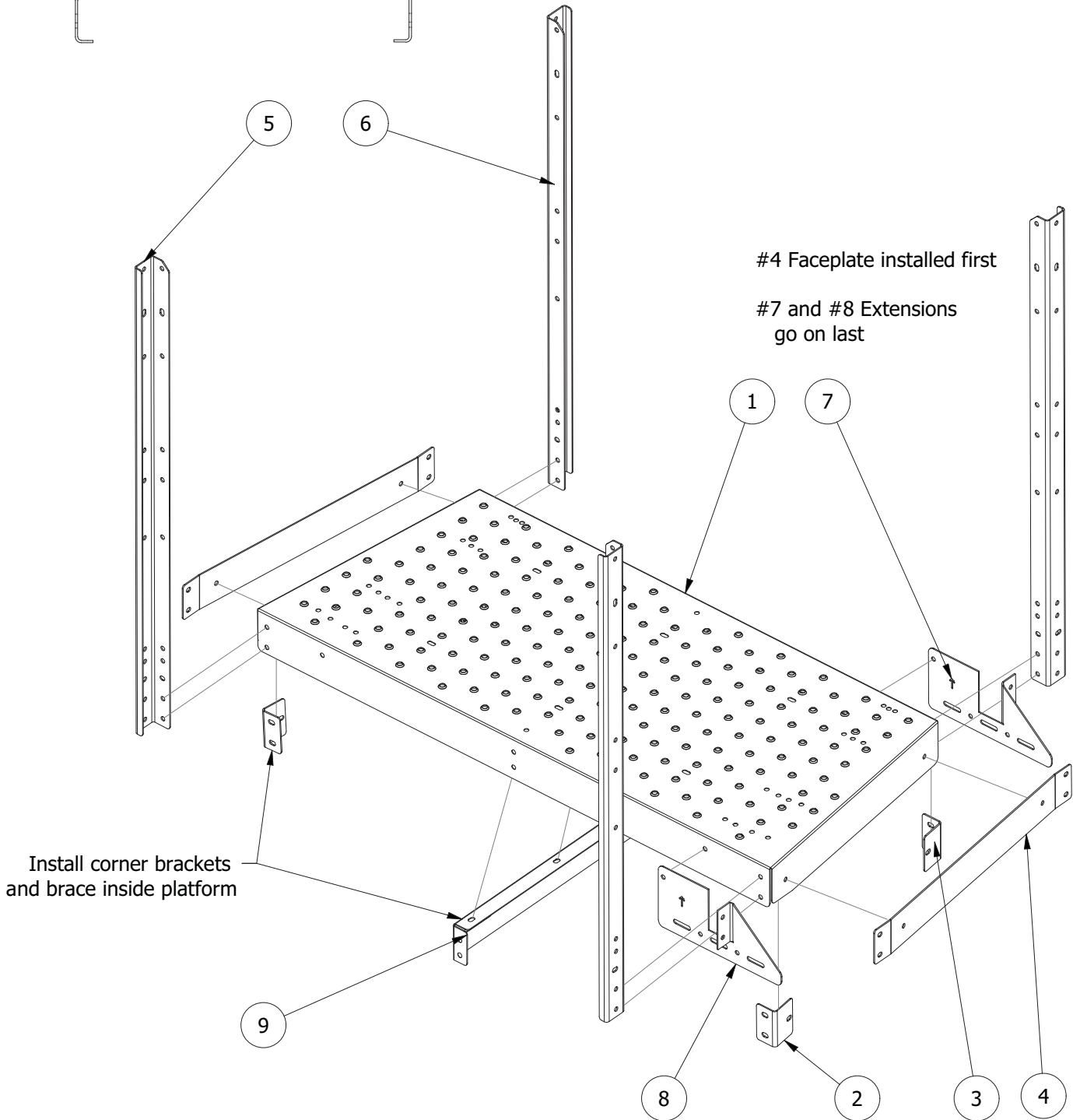


C-Series Commercial Platform Assembly

Posts & Brackets



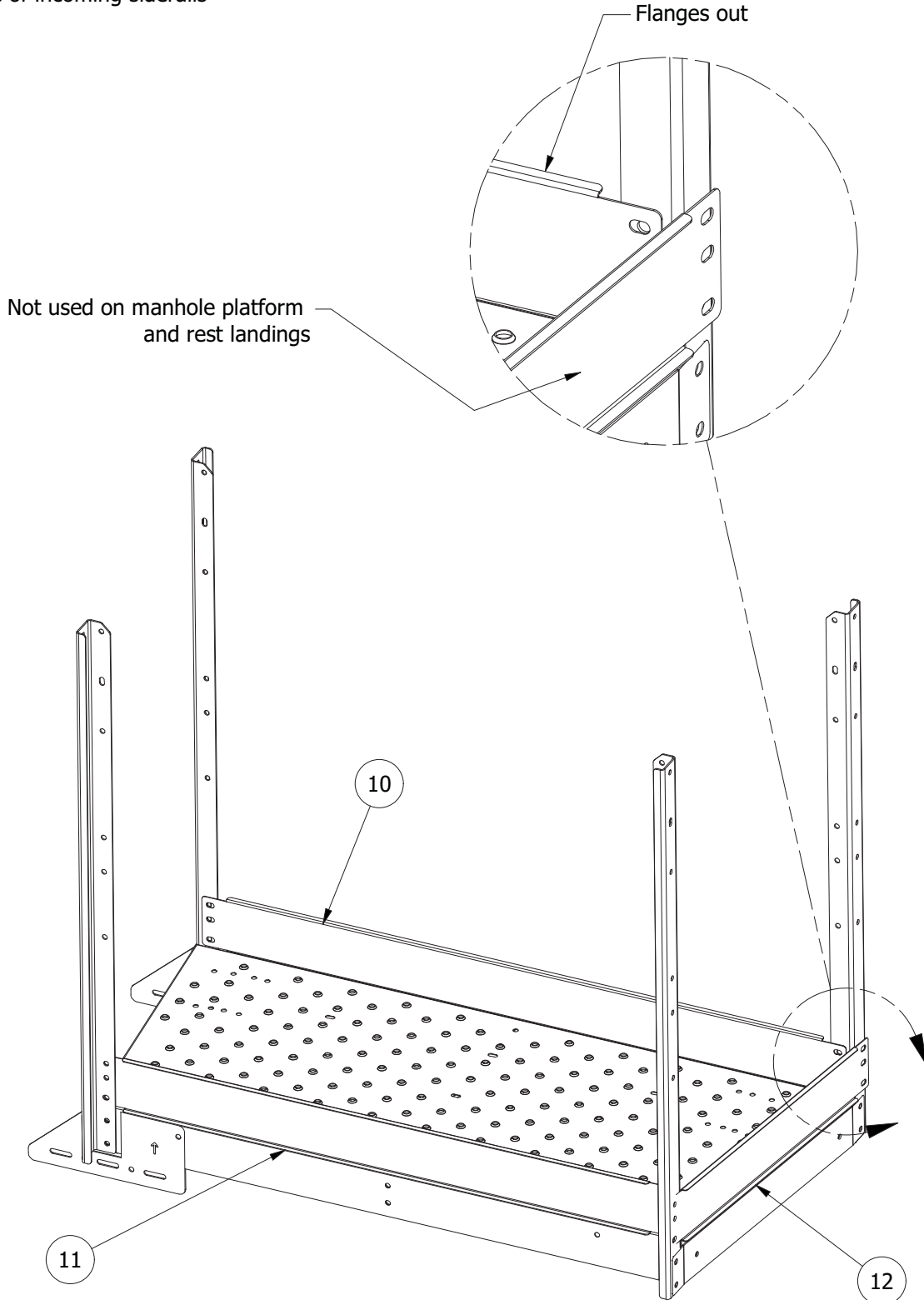
PARTS LIST			
ITEM	QTY	PART NUMBER	DESCRIPTION
1	1	CS-F30001	Tread, Platform, Trapezoid 55x24
2	2	CS-40005	Bracket, Brace, Angle, Acute
3	2	CS-40006	Bracket, Brace, Angle, Obtuse
4	2	CS-34414	Bracket, Faceplate
5	2	CS-34500	Angle, Post, J-channel, Right
6	2	CS-34501	Angle, Post, J-channel, Left
7	1	CS-40410	Lower Stringer Extension, Right
8	1	CS-40411	Lower Stringer Extension, Left
9	1	CS-3009	Bracket, Support, Platform



**C-Series Commercial
Platform Assembly
Kickboards**

PARTS LIST			
ITEM	QTY	PART NUMBER	DESCRIPTION
10	1	CS-34406	Channel, Kickboard, Outside Long
11	1	CS-34407	Channel, Kickboard, Inside, Long
12	1	CS-34408	Channel, Kickboard, End

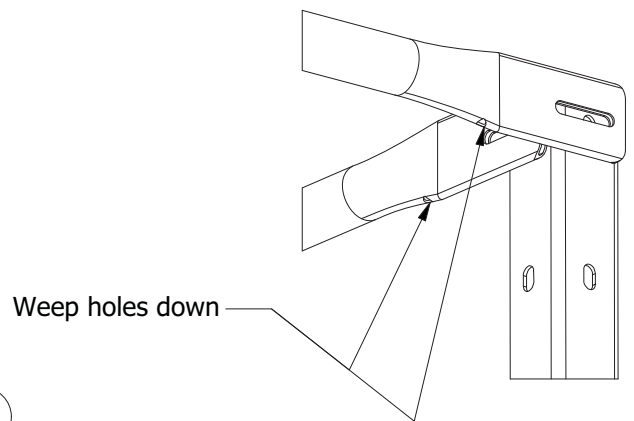
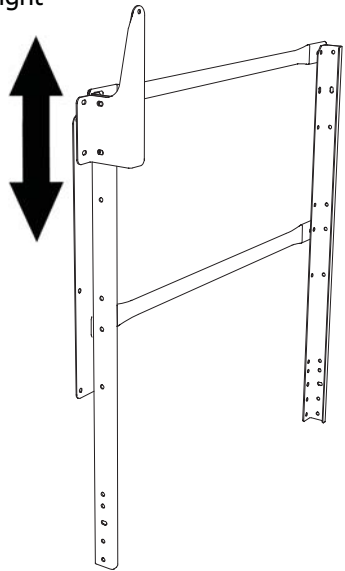
Note:
On manhole platform and rest landings, there is no end kickboard
Additionally, the top bolts should be left out of the side kickboards
to allow clearance of incoming siderails



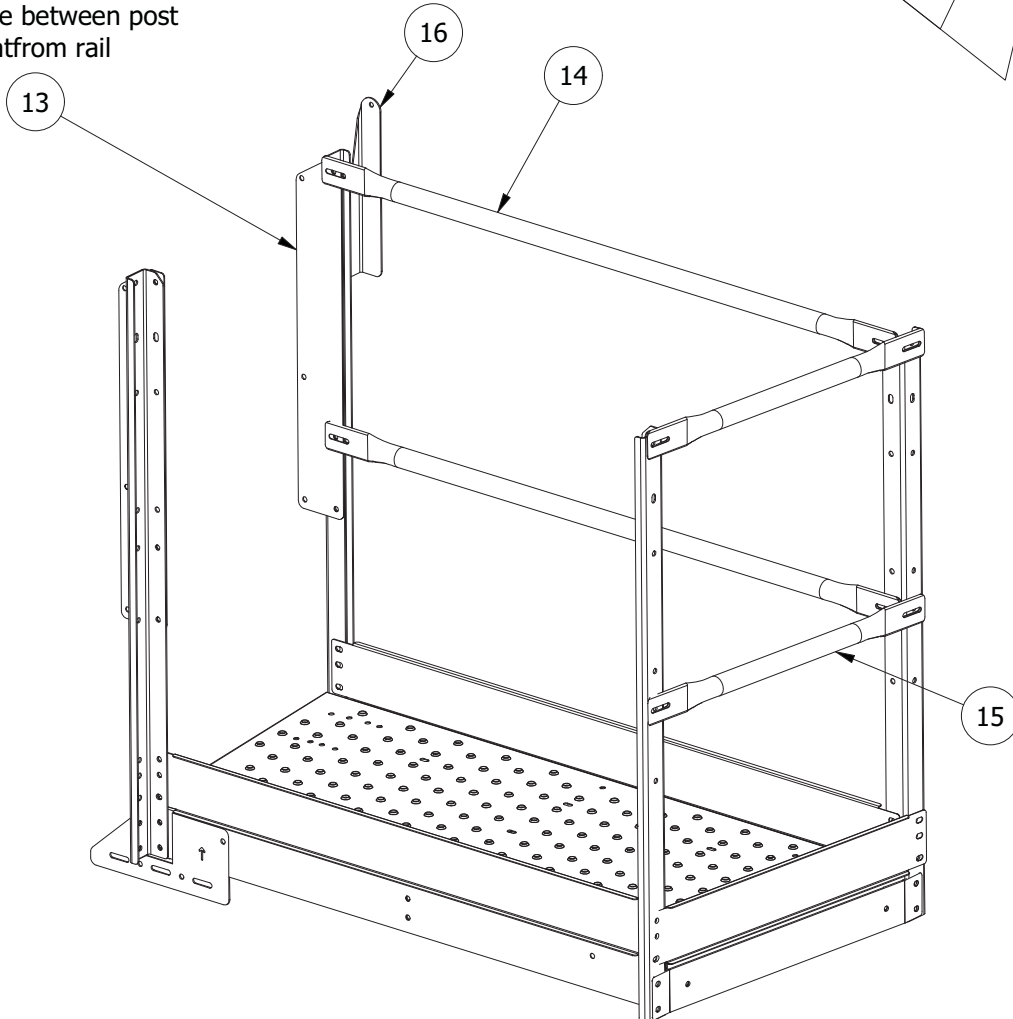
**C-Series Commercial
Platform Assembly
Railing**

PARTS LIST			
ITEM	QTY	PART NUMBER	DESCRIPTION
13	2	CS-30010	Bracket, Plate, Handrail
14	2	TRS1505400	54" long 1.5 in tube railing slotted end tabs
15	2	TRS1502800	28 Long 1.5 in tube railing slotted end tabs
16	1	ART-0007	Entry Guardrail Post Right

ART-0007 and ART-0008 entry posts may be field-drilled to set the correct guardrail height



Handrail plate between post and platform rail

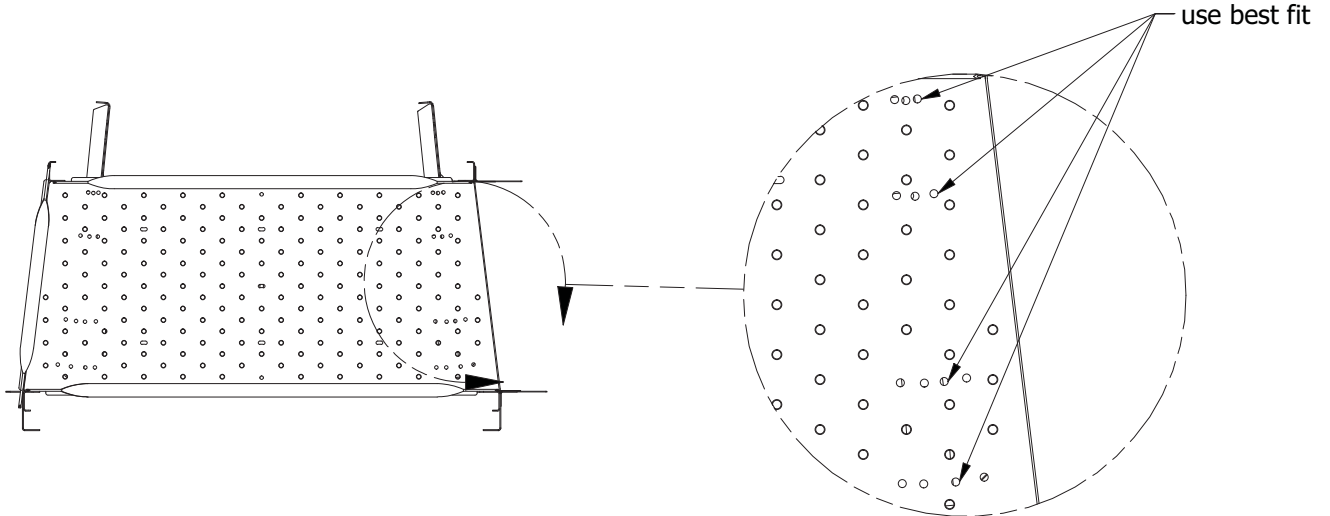


C-Series Commercial Platform Assembly

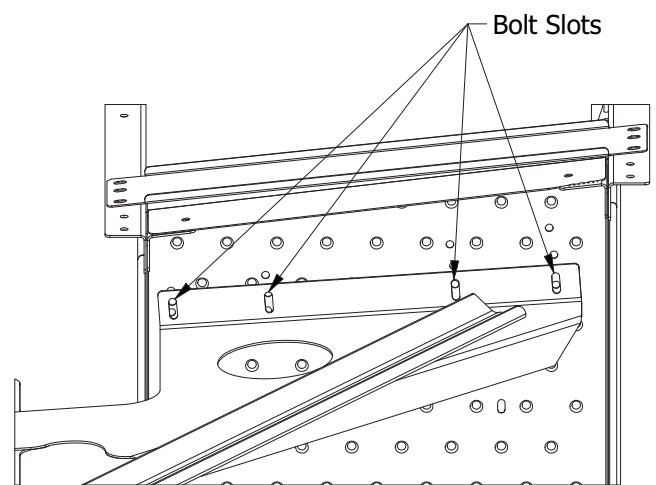
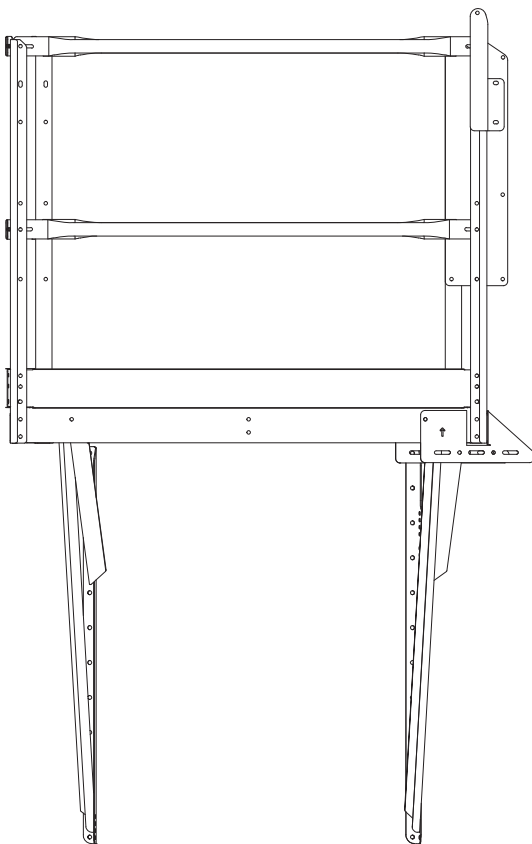
Center the platform assembly on top of the A-frame wall mounts.

Use 4 bolts to attach each wall mount plate to the platform.

Use the bolt holes in the platform that best align with the A-frame mounts, this will vary according to the bin diameter.

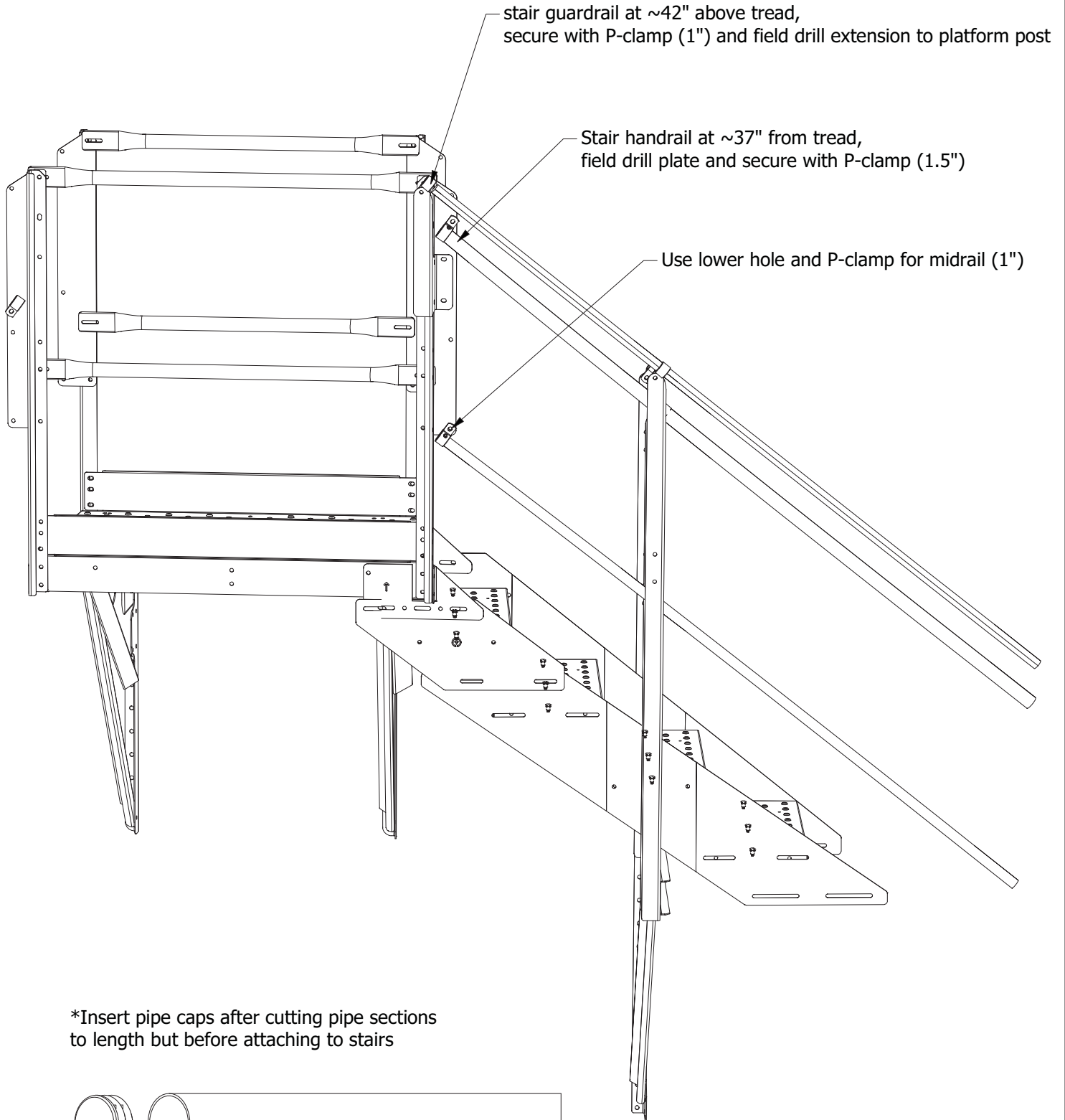
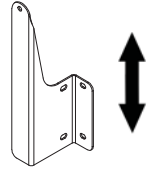


Bolt detail



**Underside View of
Platform Attachment**

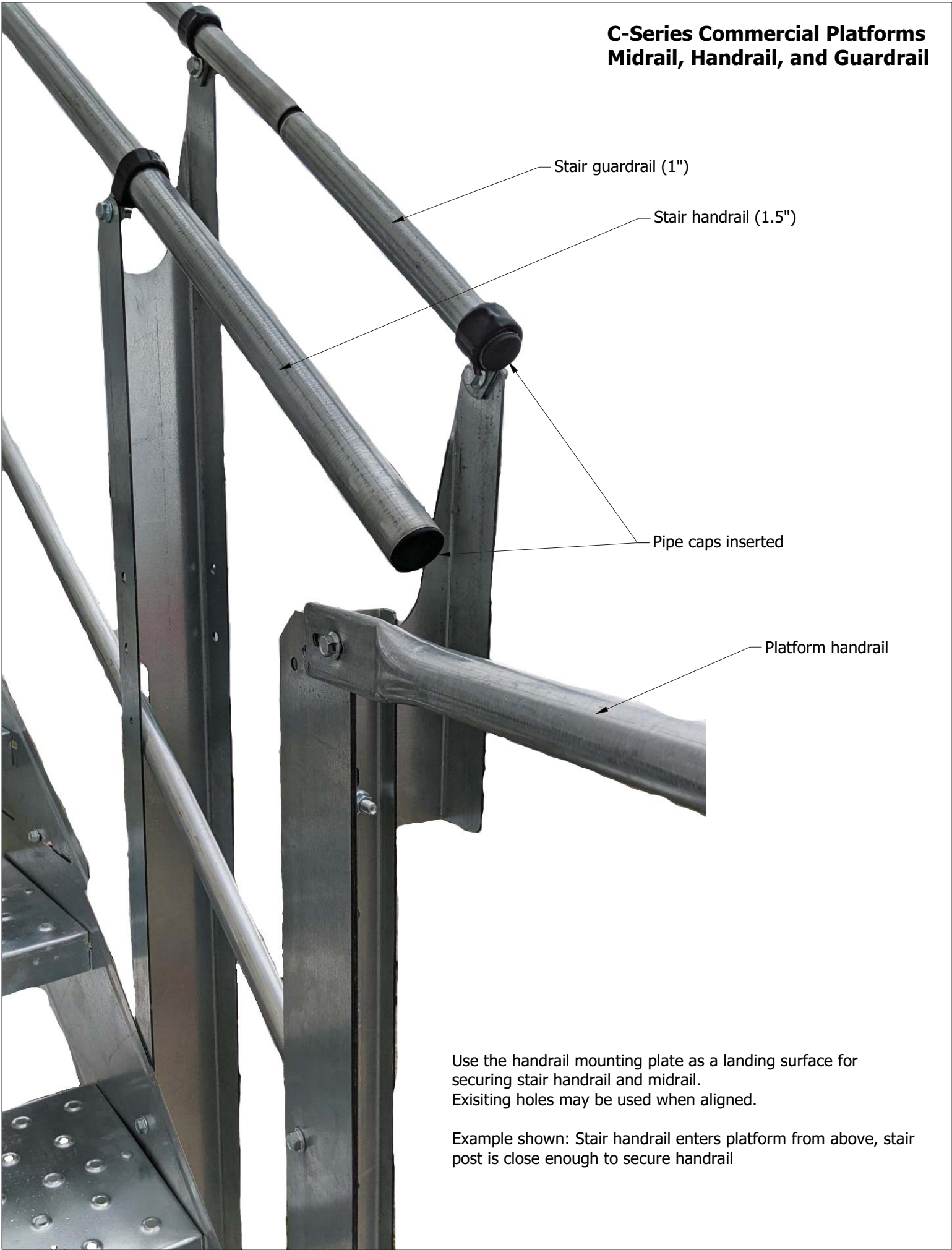
C-Series Commercial Platforms Midrail, Handrail, and Guardrail



*Insert pipe caps after cutting pipe sections to length but before attaching to stairs



C-Series Commercial Platforms Midrail, Handrail, and Guardrail

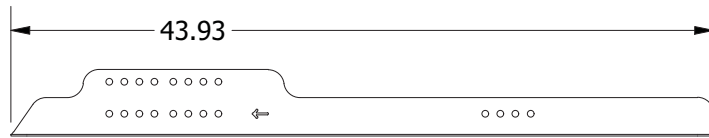


Use the handrail mounting plate as a landing surface for securing stair handrail and midrail. Existing holes may be used when aligned.

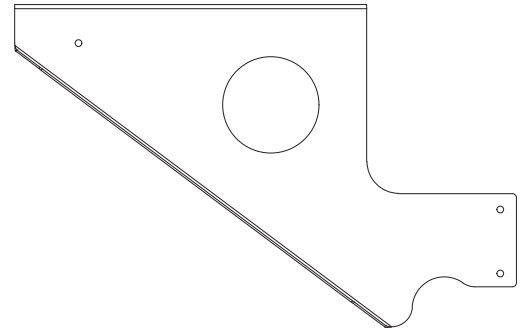
Example shown: Stair handrail enters platform from above, stair post is close enough to secure handrail

CC3542L Roof Stair Platform

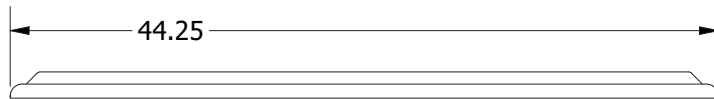
Parts ID



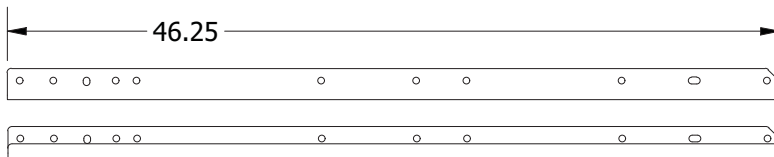
CS-34201



CS-34402

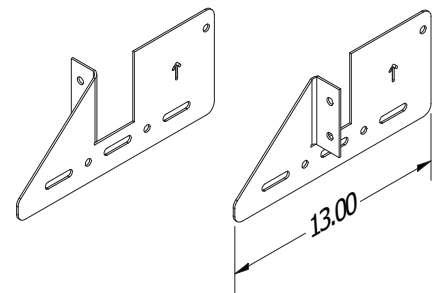


CS-32002



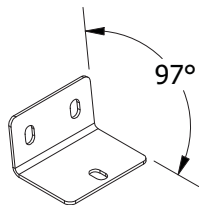
CS-34500 (Right), CS-34501 (Left)

CS-40411, CS-40410

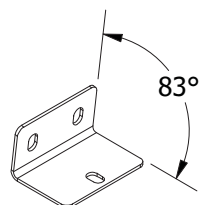


Note

The CS-40005 and CS-40006 angle brackets must be installed on the inside of the CS-F30001 platform tread.



CS-40006

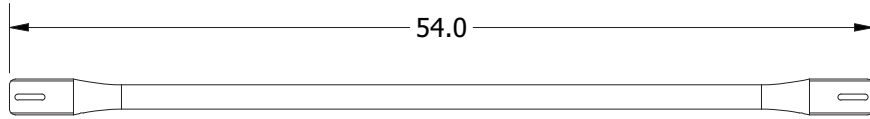


CS-40005

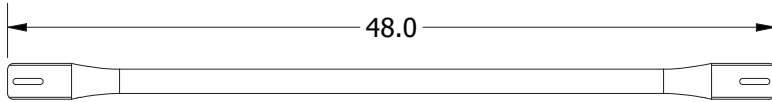


CS-F30001

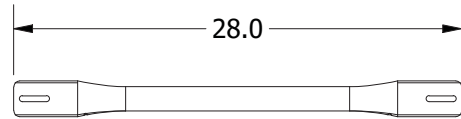
CC3542L Roof Stair Platform
Parts ID



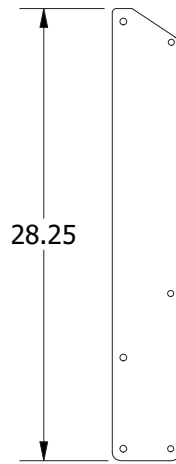
TR1505400



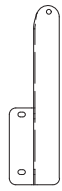
TR1504800



TR1502800



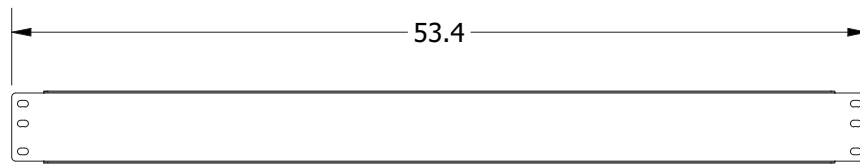
CS-30010



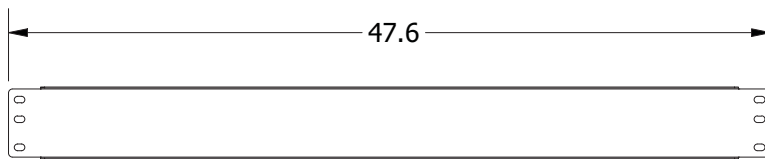
ART-0008



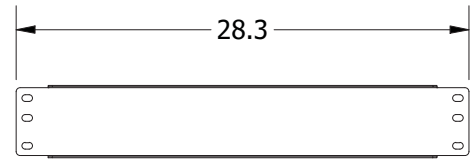
ART-0007



CS-34406

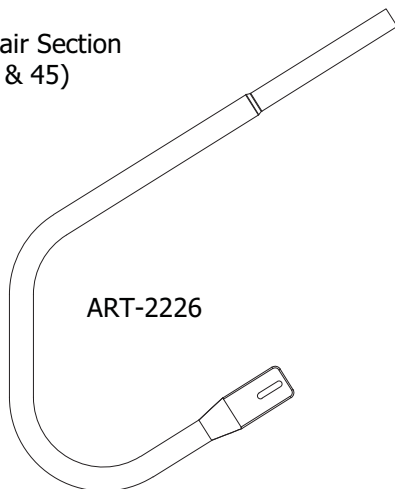


CS-34407

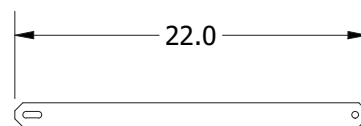


CS-34408

Used on Bottom Stair Section
 (see pages 44 & 45)



ART-2226



AS-40004

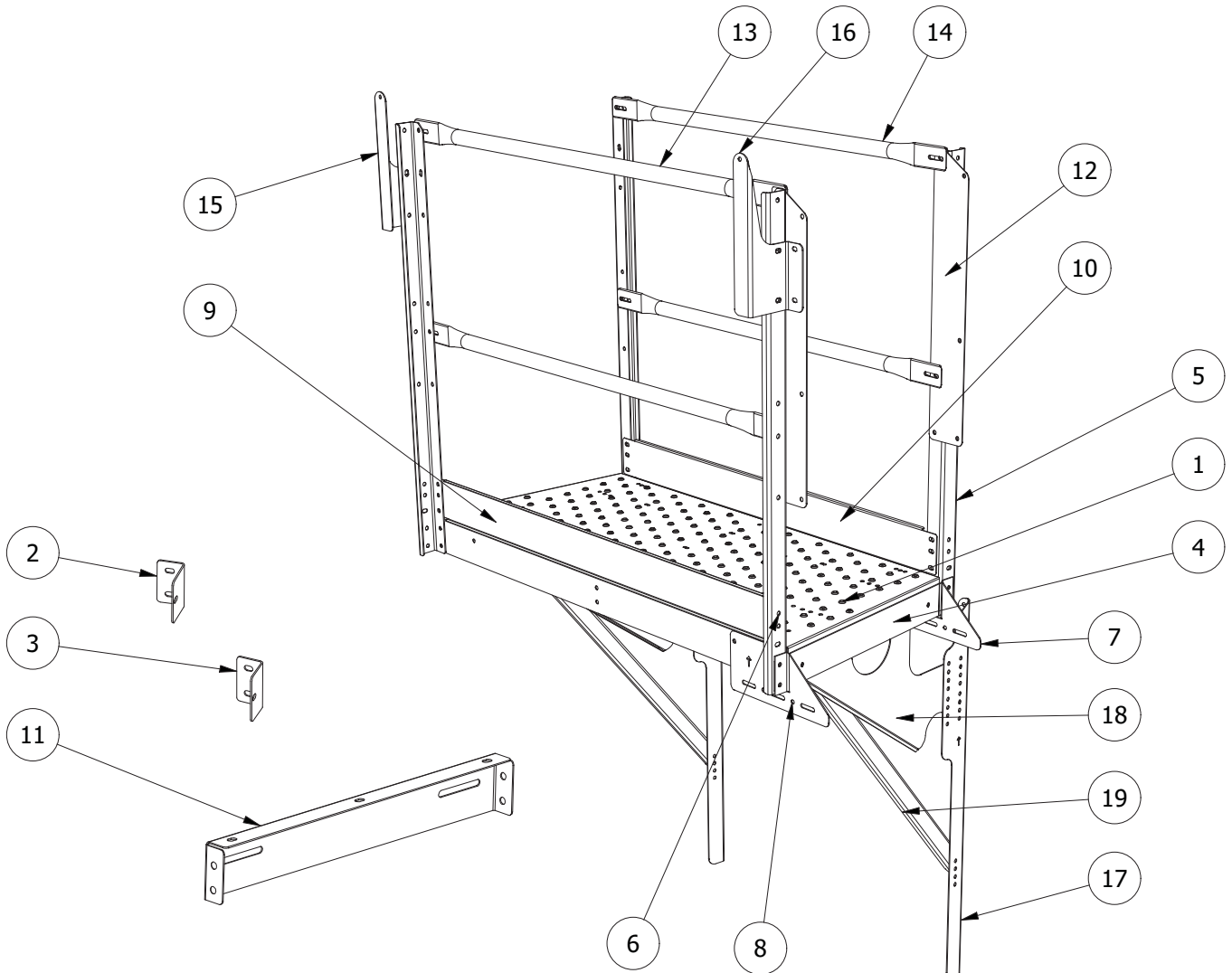
**CC3642L Parts List,
C-Series Commercial 42"
Long Stair Platform**

Roof Stair Platform

Refer to page 16 and repeat instruction process with these components

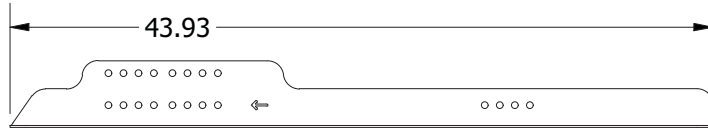
PARTS LIST

ITEM	QTY	PART NUMBER	DESCRIPTION
1	1	CS-F30001	Tread, Platform, Trapezoid 55x24
2	2	CS-40005	Bracket, Brace, Angle, Acute
3	2	CS-40006	Bracket, Brace, Angle, Obtuse
4	2	CS-34414	Bracket, Faceplate
5	2	CS-34500	Angle, Post, J-channel, Right
6	2	CS-34501	Angle, Post, J-channel, Left
7	1	CS-40410	Lower Stringer Extension 44
8	1	CS-40411	Lower Stringer Extension 44
9	1	CS-34406	Channel, Kickboard, Outside Long
10	1	CS-34407	Channel, Kickboard, Inside, Long
11	1	CS-3009	Bracket, Support, Platform
12	2	CS-30010	Bracket, Plate, Handrail
13	2	TRS1505400	54" long 1.5 in tube railing slotted end tabs
14	2	TRS1504800	48 Long 1.5 in tube railing slotted end tabs
15	1	ART-0008	Entry Guardrail Post Left
16	1	ART-0007	Entry Guardrail Post Right
17	2	CS-34201	Angle, Bracket, Platform 42.428
18	2	CS-34402	Brace, Plate, Platform
19	2	CS-32002	Channel, K-Brace, C-Series

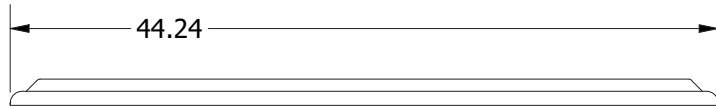


CC3642L Manhole Platform

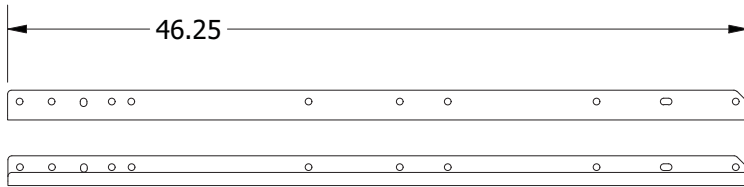
Parts ID



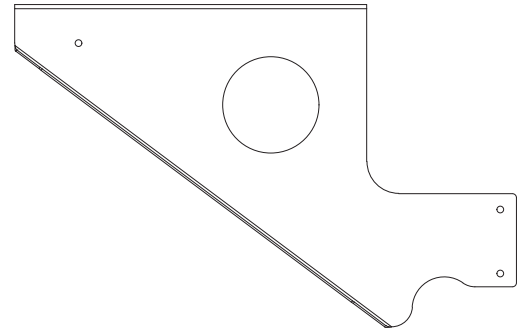
CS-34201



CS-32002

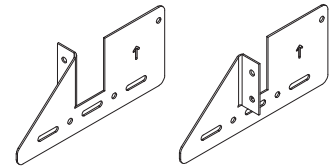


CS-34500 (Right), CS-34501 (Left)



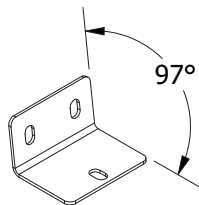
CS-34402

CS-40411, CS-40410

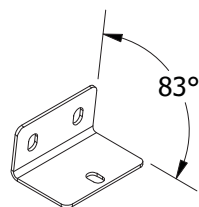


Note

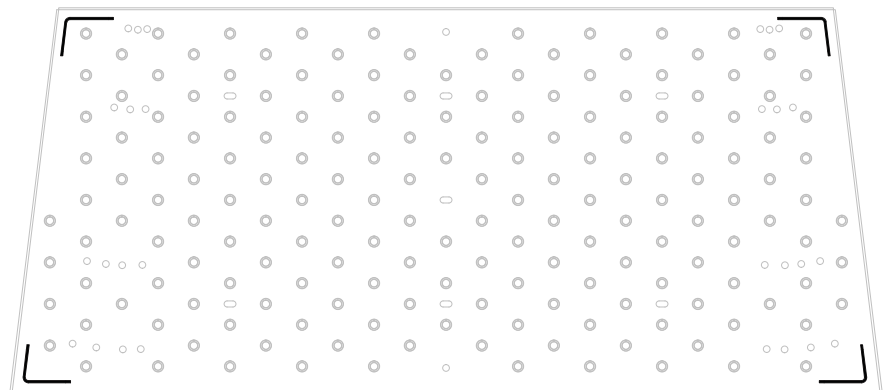
The CS-40005 and CS-40006 angle brackets must be installed on the inside of the CS-F30001 platform tread.



CS-40006



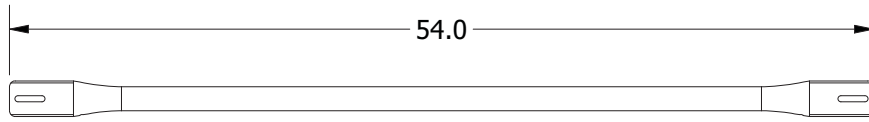
CS-40005



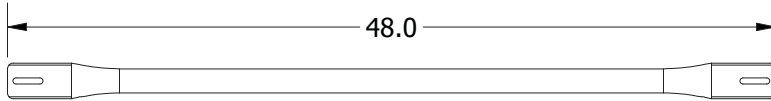
CS-F30001

CC3642L Manhole Platform

Parts ID



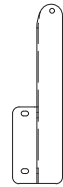
TR1505400



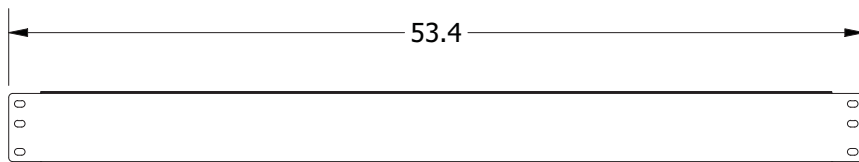
TR1504800



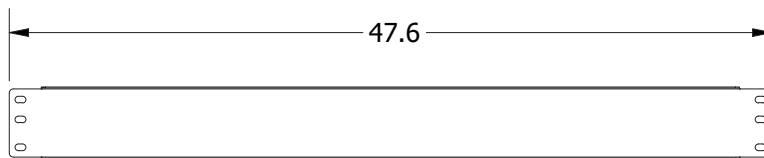
ART-0007



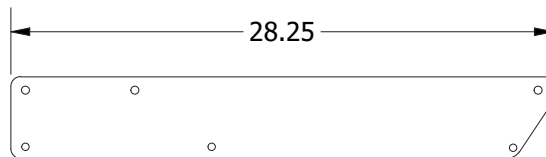
ART-0008



CS-34406



CS-34407



CS-30010

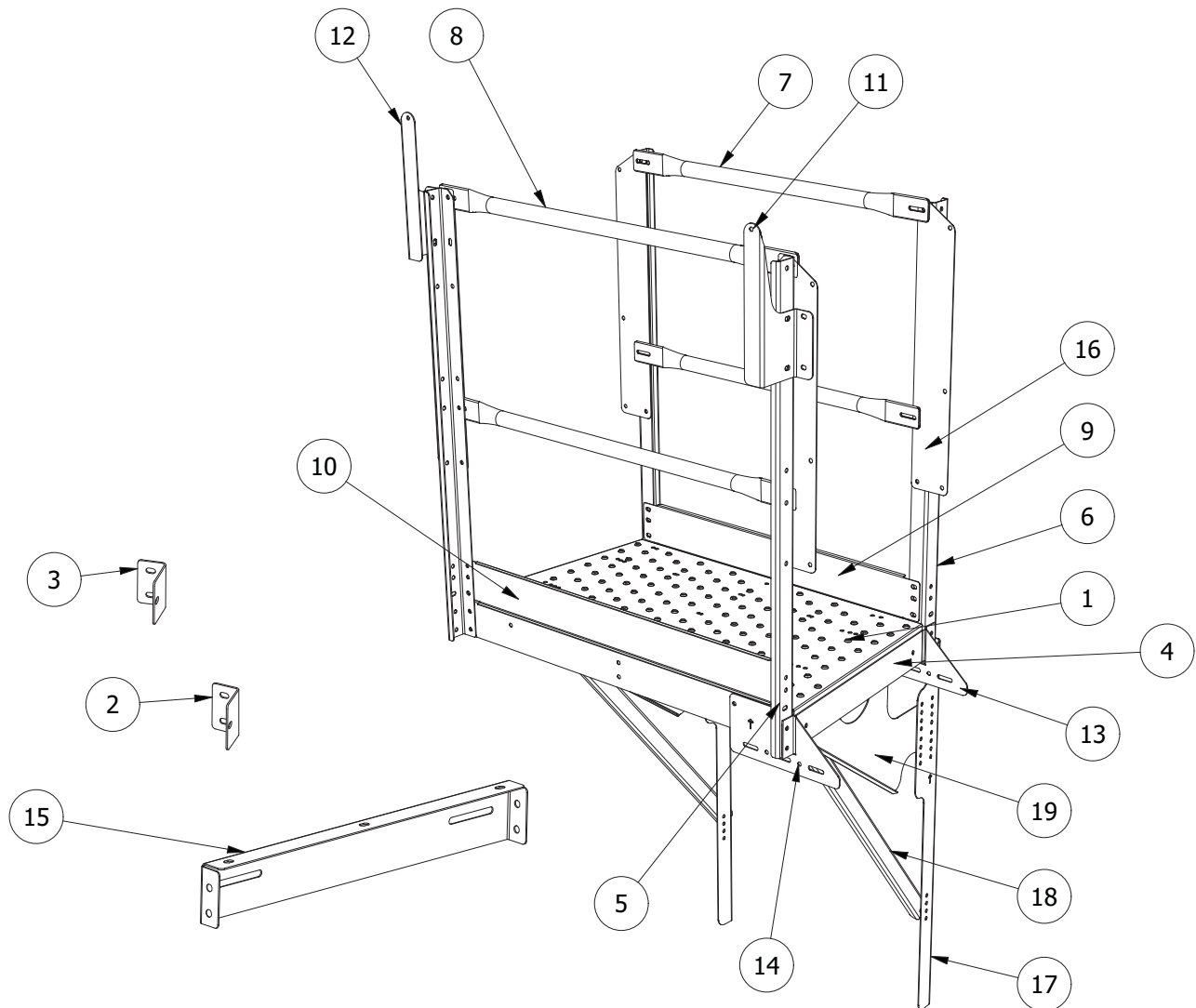
**CC3642S Parts List,
C-Series Commercial 42"
Short Stair Platform**

Rest Landing

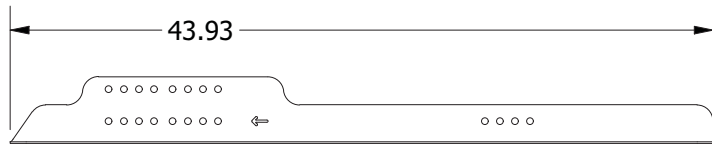
Refer to page 16 and repeat instruction process with these components

PARTS LIST

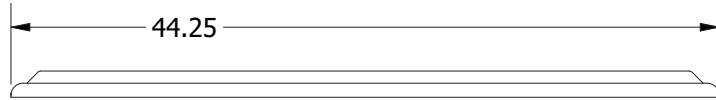
ITEM	QTY	PART NUMBER	DESCRIPTION
1	1	CS-F30002	Tread, PPlatform, Short, Trapezoid 44x24
2	2	CS-40006	Bracket, Brace, Angle, Obtuse
3	2	CS-40005	Bracket, Brace, Angle, Acute
4	2	CS-34414	Bracket, Faceplate
5	2	CS-34501	Angle, Post, J-channel, Left
6	2	CS-34500	Angle, Post, J-channel, Right
7	2	TRS1503700	37 Long 1.5 in tube railing slotted end tabs
8	2	TRS1504400	44 Long 1.5 in tube railing slotted end tabs
9	1	CS-34409	Channel, Kickboard, Inside, Short
10	1	CS-34410	Channel, Kickboard, Outside, Short
11	1	ART-0007	Entry Guardrail Post Right
12	1	ART-0008	Entry Guardrail Post Left
13	1	CS-40410	Lower Stringer Extension 44
14	1	CS-40411	Lower Stringer Extension 44
15	1	CS-3009	Bracket, Support, Platform
16	4	CS-30010	Bracket, Plate, Handrail
17	2	CS-34201	Angle, Bracket, Platform 42.428
18	2	CS-32002	Channel, K-Brace, C-Series
19	2	CS-34402	Brace, Plate, Platform



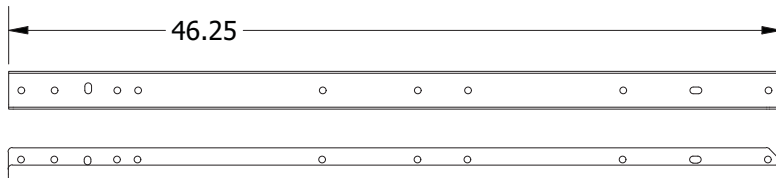
CC3642S Rest Landing
Parts ID



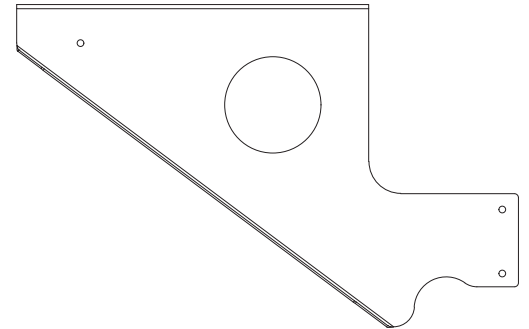
CS-34201



CS-32002

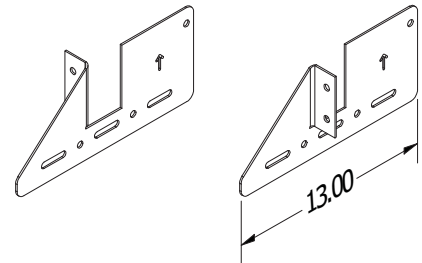


CS-34500 (Right), CS-34501 (Left)



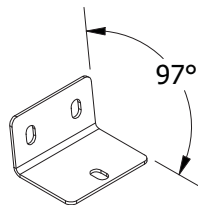
CS-34402

CS-40411, CS-40410

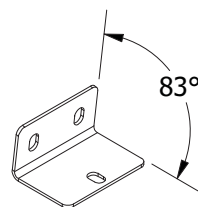


Note

The CS-40005 and CS-40006 angle brackets must be installed on the inside of the CS-F30002 platform tread.



CS-40006

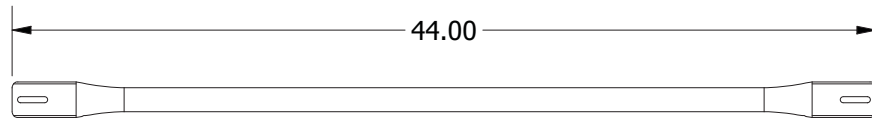


CS-40005

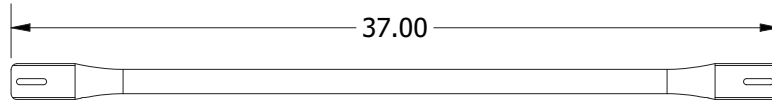


CS-F30002

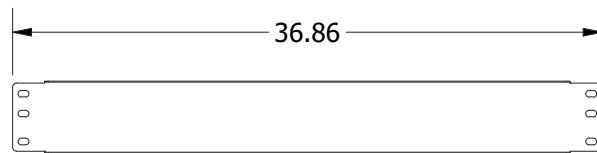
CC3642S Rest Landing
Parts ID



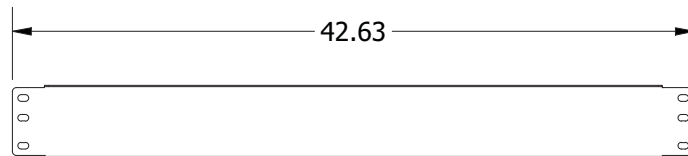
TR1504400



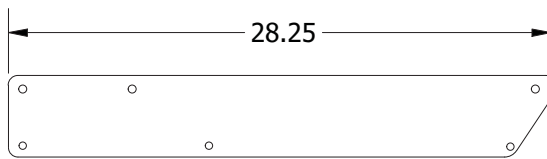
TR1503700



CS-34409



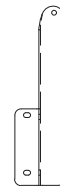
CS-34410



CS-30010



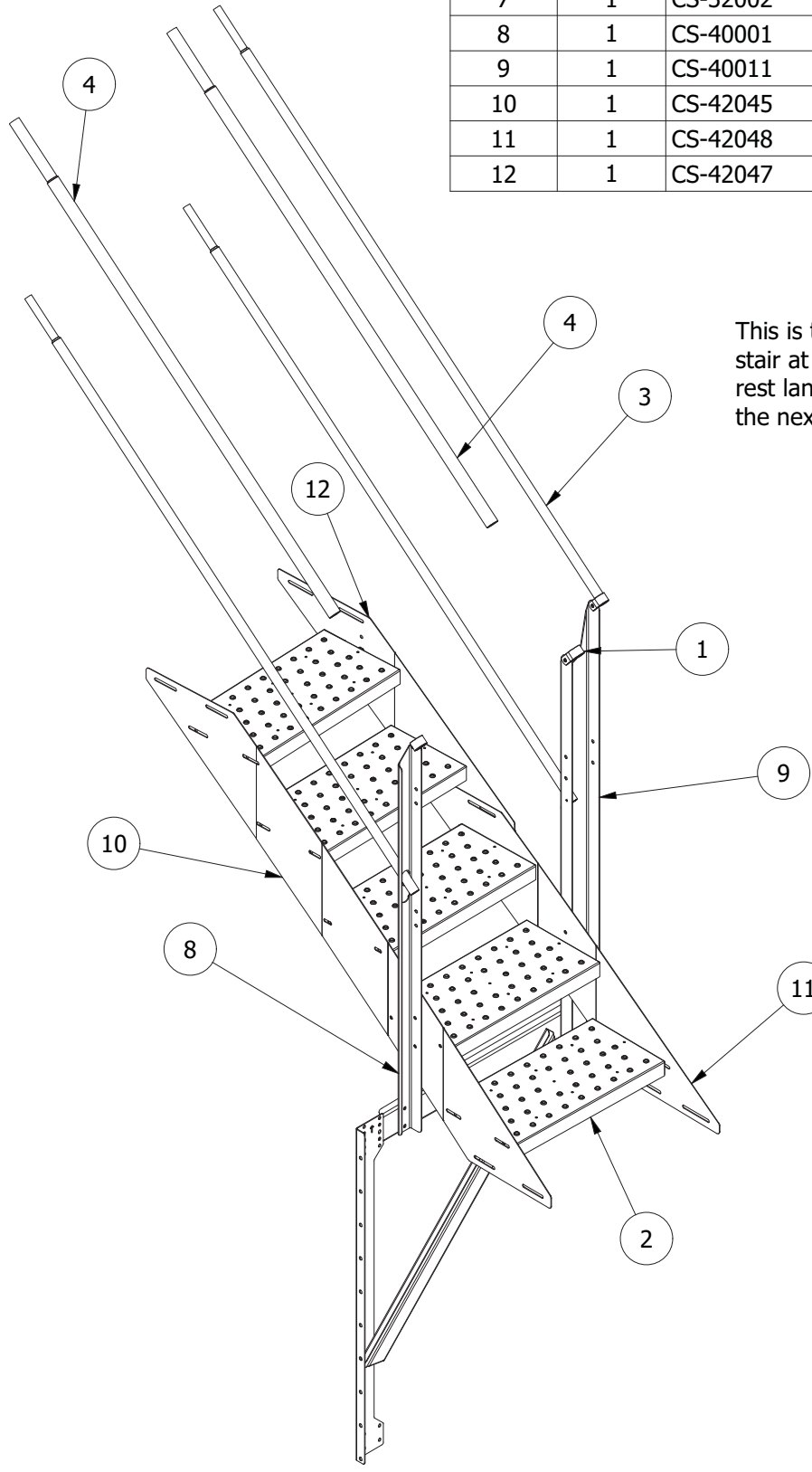
ART-0007



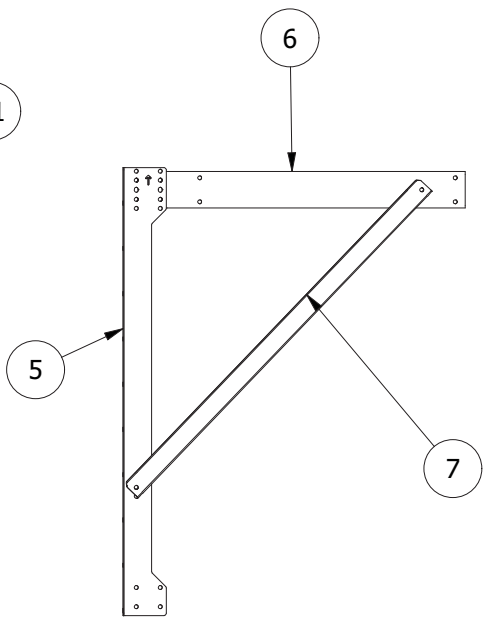
ART-0008

**Parts List, CC4200
C-Series Commercial 42"
5 Step Stair Section**

PARTS LIST			
ITEM	QTY	PART NUMBER	DESCRIPTION
1	2	HRC1500	Handrail Clamp for 1.5 in
2	5	CS41224	Tread Step 24 x 12 Assembly
3	3	TR1008206	82 in 1 in dia tubing 6in swage
4	2	TR1508206	82 in x1.5 in Railing 6 in Swage
5	1	CS-42001	Bracket, Wall, 42" ring
6	1	CS-40002	Channel, Crossbar
7	1	CS-32002	Channel, K-Brace, C-Series
8	1	CS-40001	Post, Inside Stair
9	1	CS-40011	Post, Stair Rail, Guard Rail Outside
10	1	CS-42045	Stringer, Inside, 5 Step
11	1	CS-42048	Stringer, Outside, 3 Step
12	1	CS-42047	Stringer, Outside 2 Step

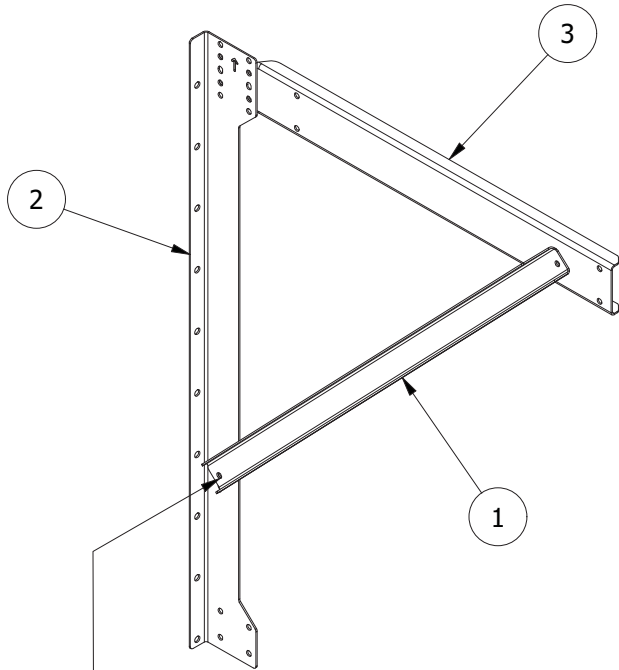


This is the standard section used between the split stair at the top platforms and the 4-step stair at the rest landing. It is then used after the rest landing to the next landing or to the ground.



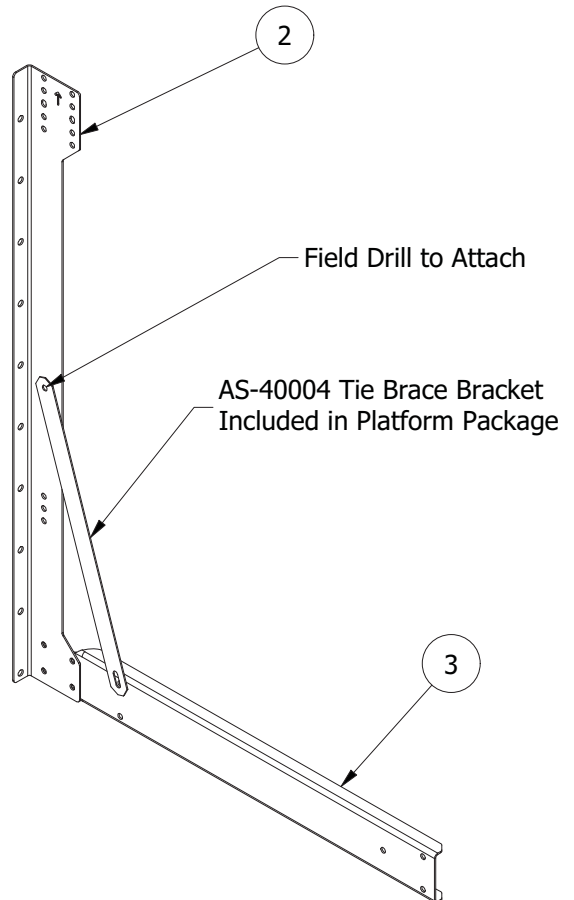
A-Frame Layouts

PARTS LIST			
ITEM	QTY	PART NUMBER	DESCRIPTION
1	1	CS-32002	Channel, K-Brace, C-Series
2	1	CS-42001	Bracket, Wall, 42" ring
3	1	CS-40002	Channel, Crossbar



Stair Run Section

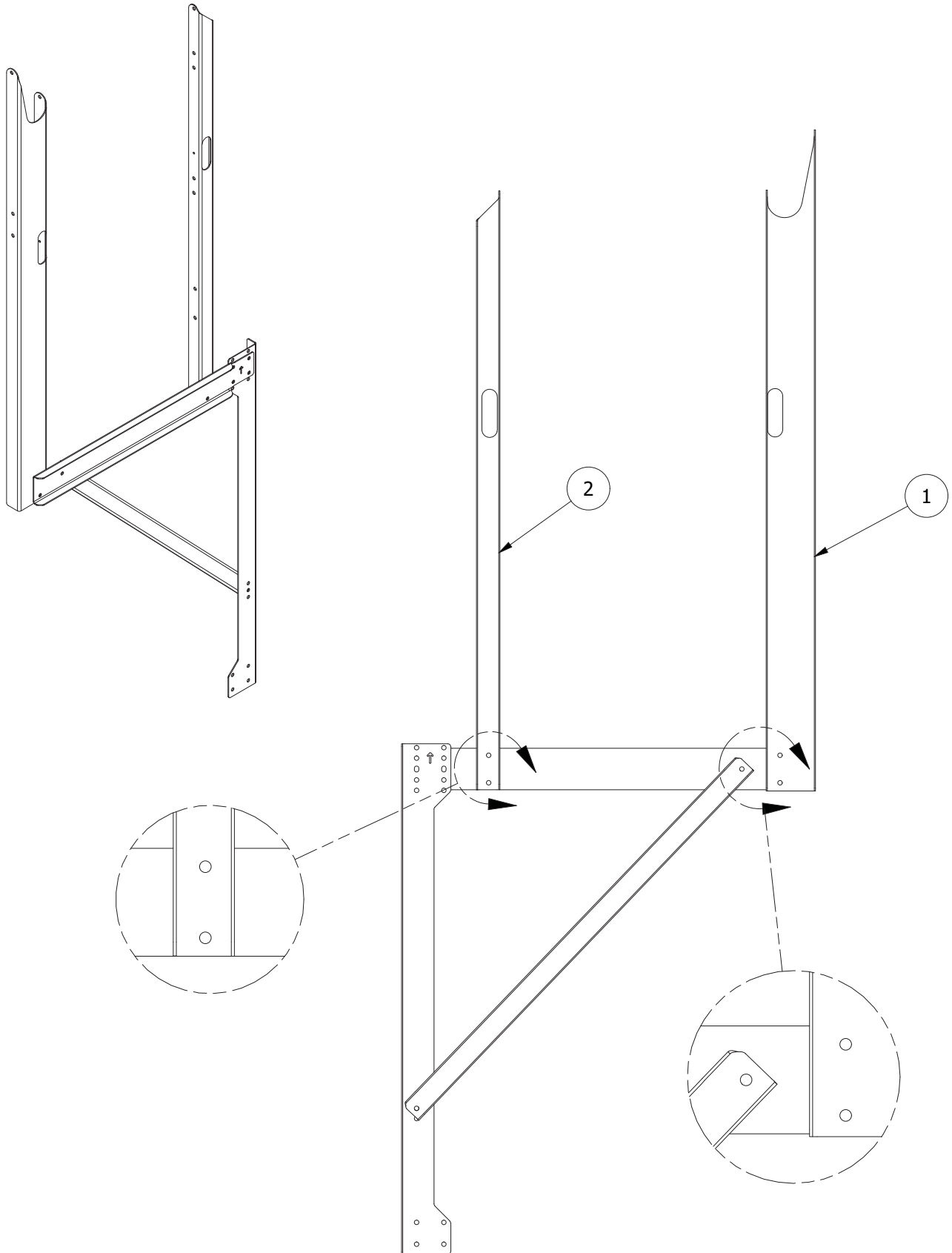
See page 7 for position guide



Bottom Stair Section

Attaching the Posts to the A-Frame

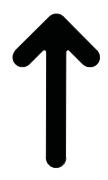
PARTS LIST			
ITEM	QTY	PART NUMBER	DESCRIPTION
1	1	CS-40011	Post, Stair, Rail, Outside
2	1	CS-40001	Post, Stair, Inside



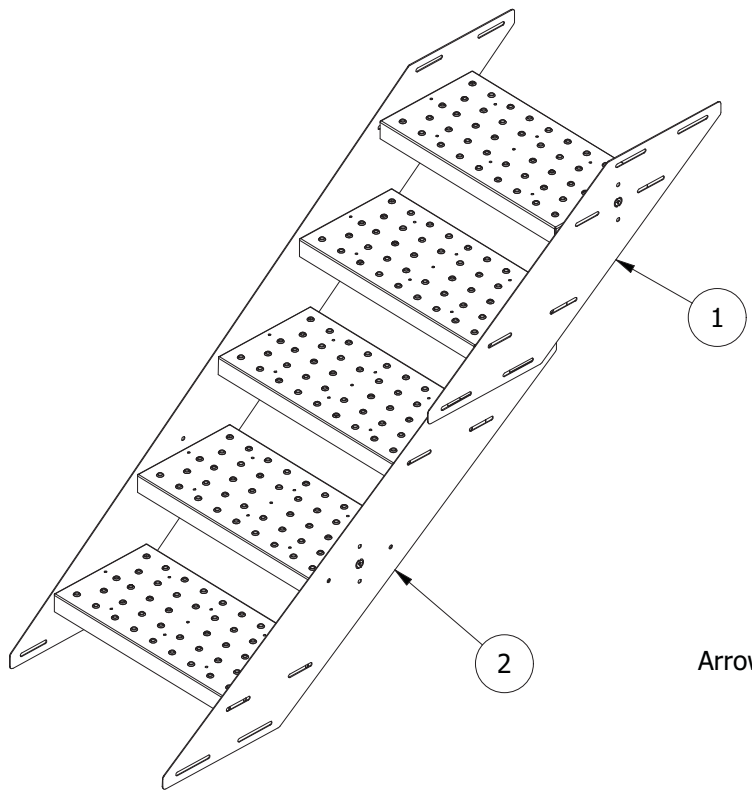
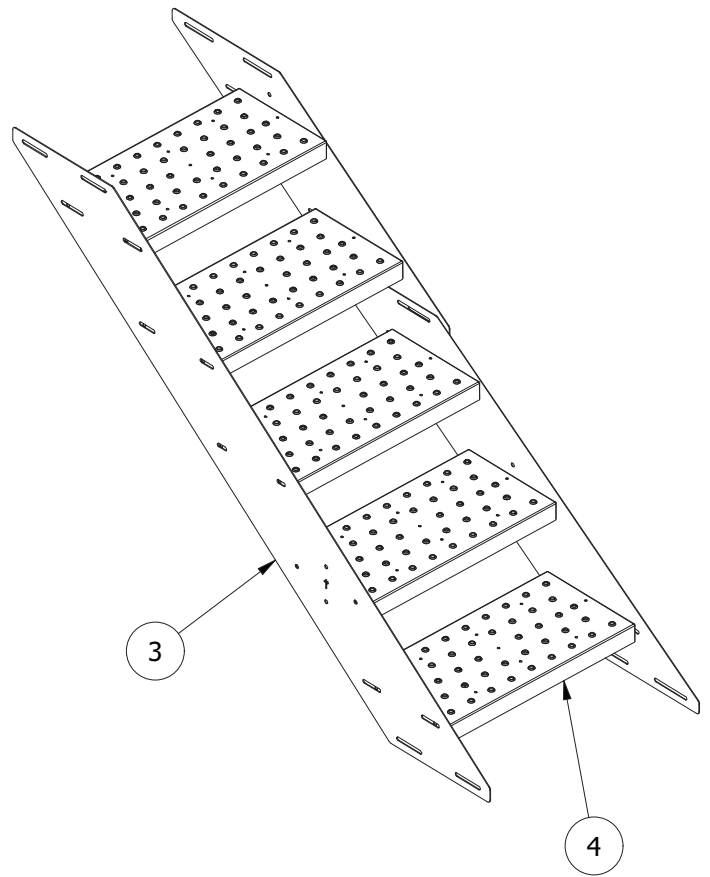
CC4200 C-Series 42" 5 Step Stair Section

PARTS LIST			
ITEM	QTY	PART NUMBER	DESCRIPTION
1	1	CS-42047	Stringer, Outside 2 Step
2	1	CS-42048	Stringer, Outside, 3 Step
3	1	CS-42045	Stringer, Inside, 5 Step
4	5	CS41224	Tread Step 24 x 12 Assembly

On the CC4200 stair section,
the inside siderail is a one piece 5-step,
the outside siderail is a two piece, 3-step and 2-step.



Arrow on Inside Siderails
Arrows Always Face UP



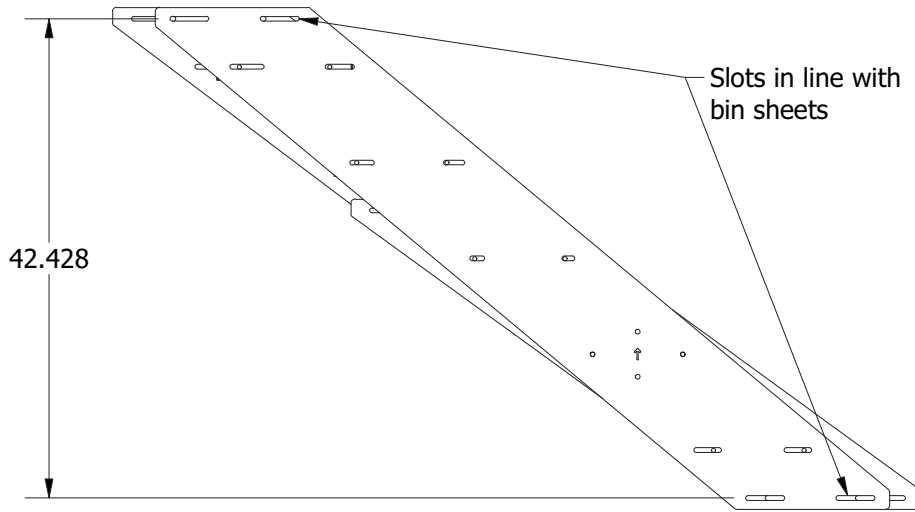
Arrow & Circle on Outside Siderails
Arrows Always Face UP

CC4200 C-Series 42" 5 Step Stair Section

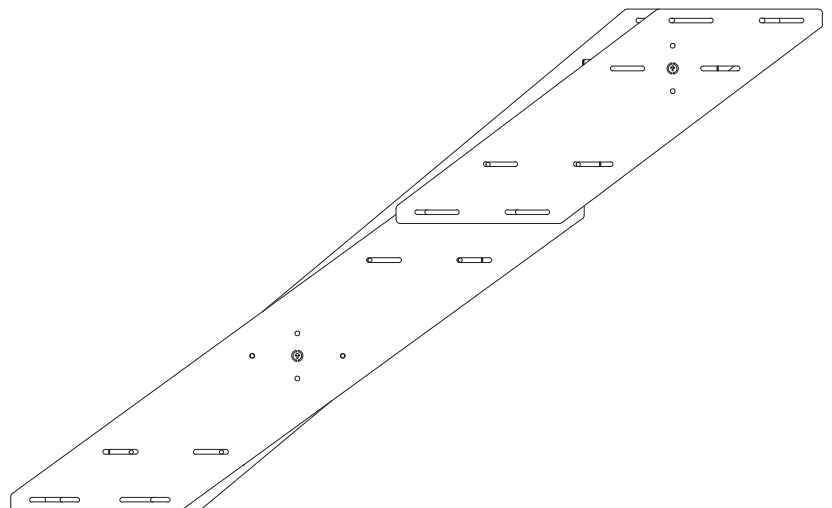
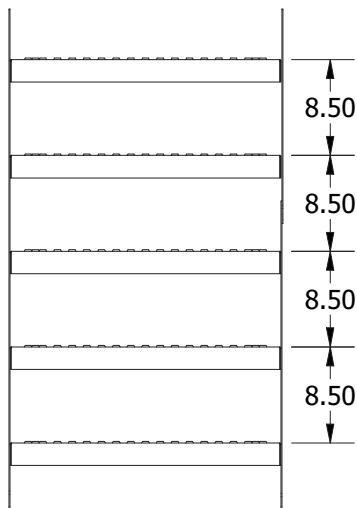
PARTS LIST			
ITEM	QTY	PART NUMBER	DESCRIPTION
1	1	CS-42047	Stringer, Outside 2 Step
2	1	CS-42048	Stringer, Outside, 3 Step
3	1	CS-42045	Stringer, Inside, 5 Step
4	5	CS41224	Tread Step 24 x 12 Assembly

The step rise is 8.5".

The top and bottom slots of the siderails should stay in line with the seams of the 42" bin sheets.



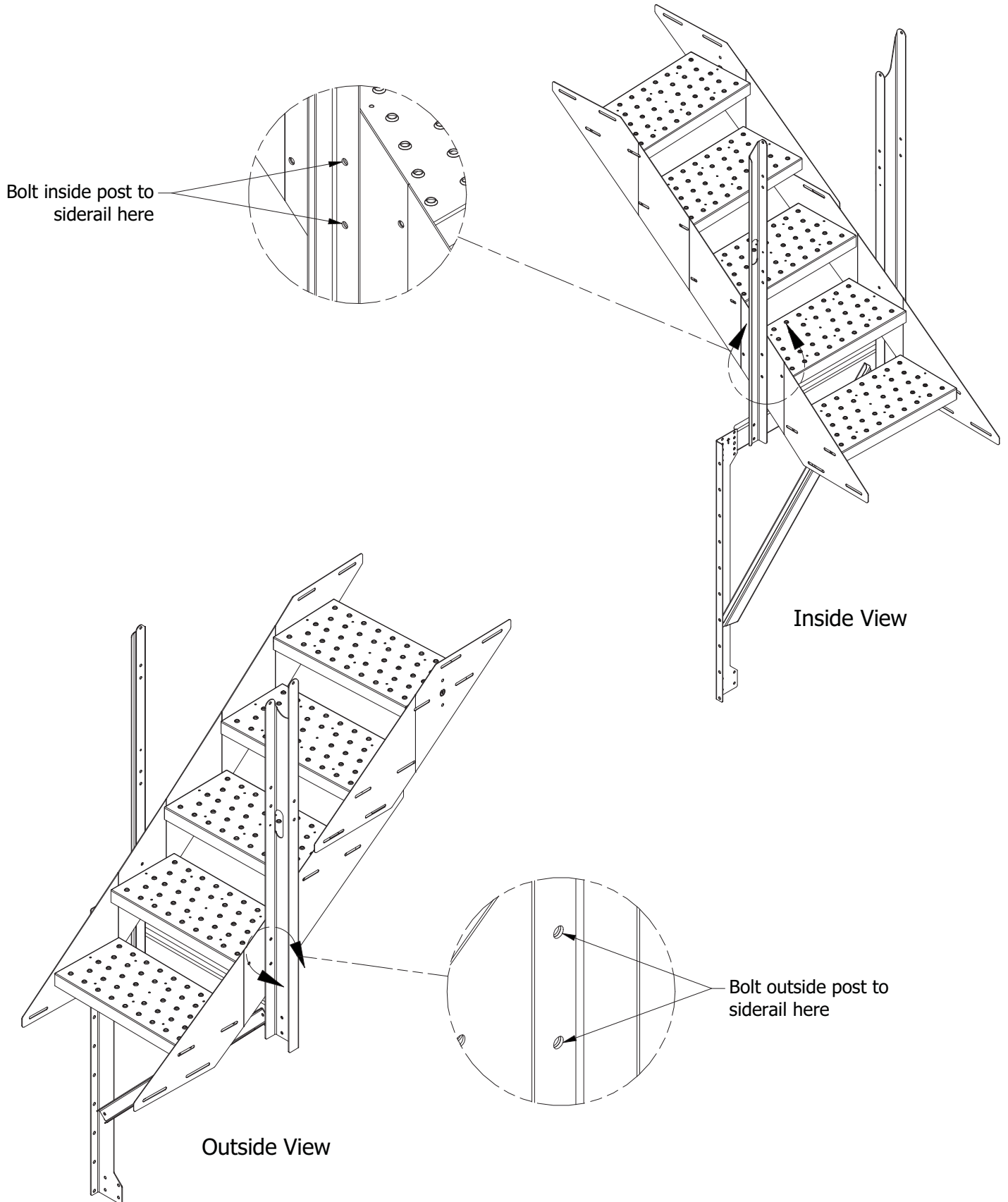
Inside View



Outside View

Attaching the Stair Section to the A-Frame Assembly

Attach the inside and outside posts to the siderails at the 2nd step from the bottom. Bolt in the holes shown in detail views.

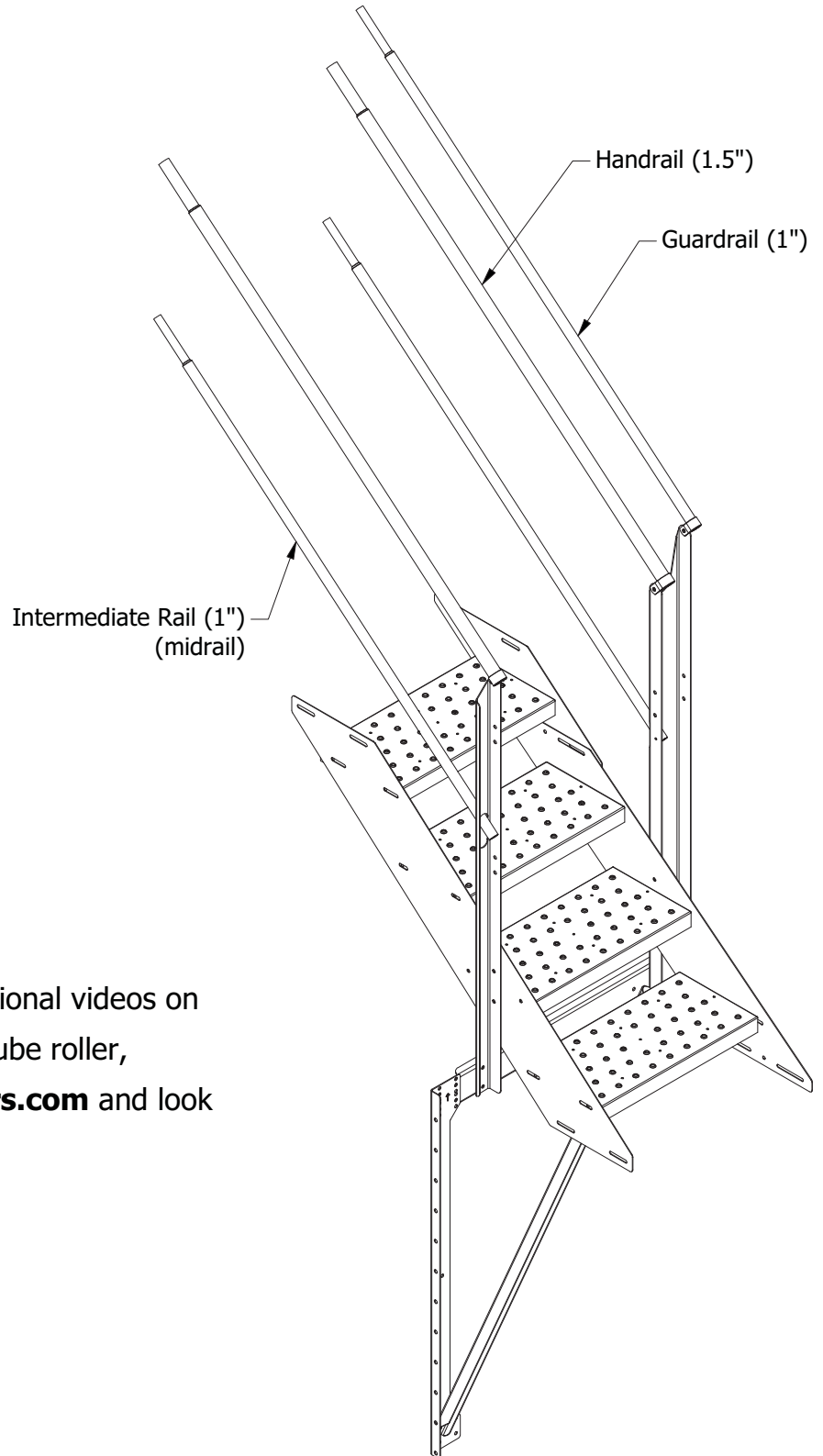



Installing Handrails

It is recommended to use a Tube Roller Former as shown in the picture; form inside rails to match bin sheet curvature, form outside rails with slightly less bend.

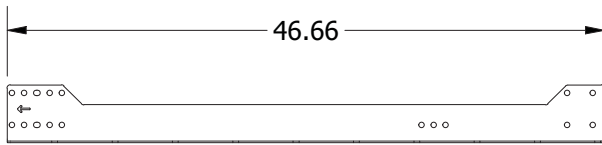
Alternatively, use an assembled stair section to brace one end of each tube and bend rails by hand

The swaged ends of the rails should point up the stairs.

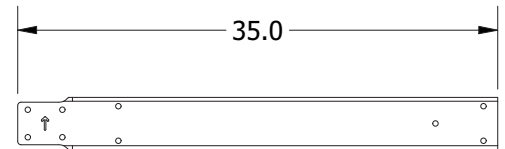


For more information and instructional videos on handrail installation and using a tube roller, go to our website at greenestairs.com and look for the  YouTube channel link.

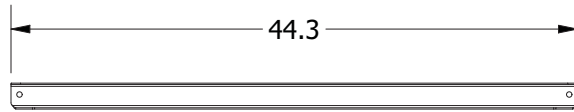
CC4200 Parts ID



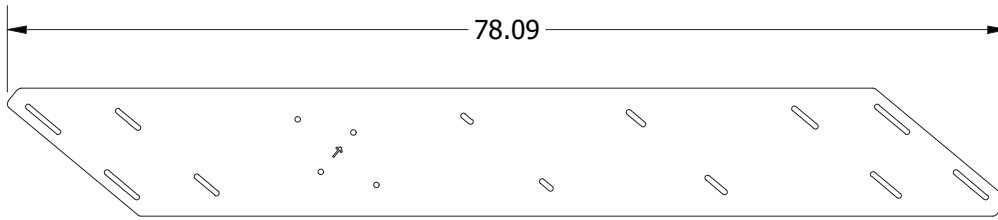
CS-42001



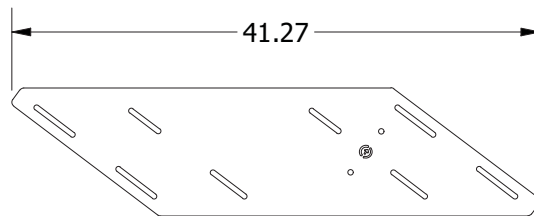
CS-40002



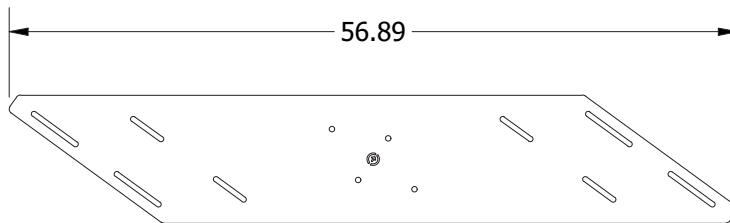
CS-32002



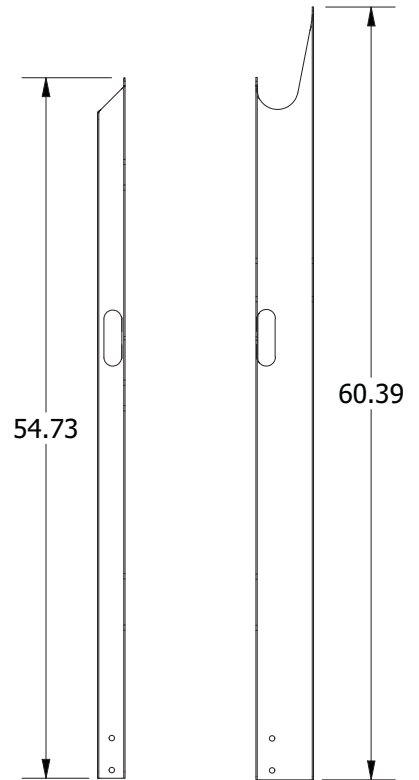
CS-42045



CS-42047

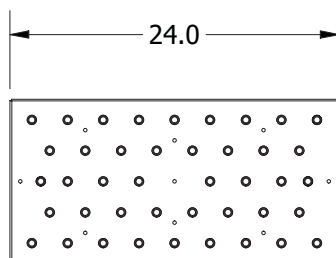


CS-42048

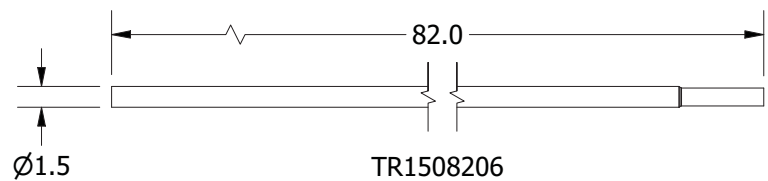


CS-40001

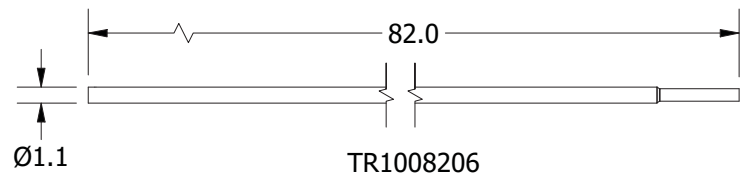
CS-40011



CS41224



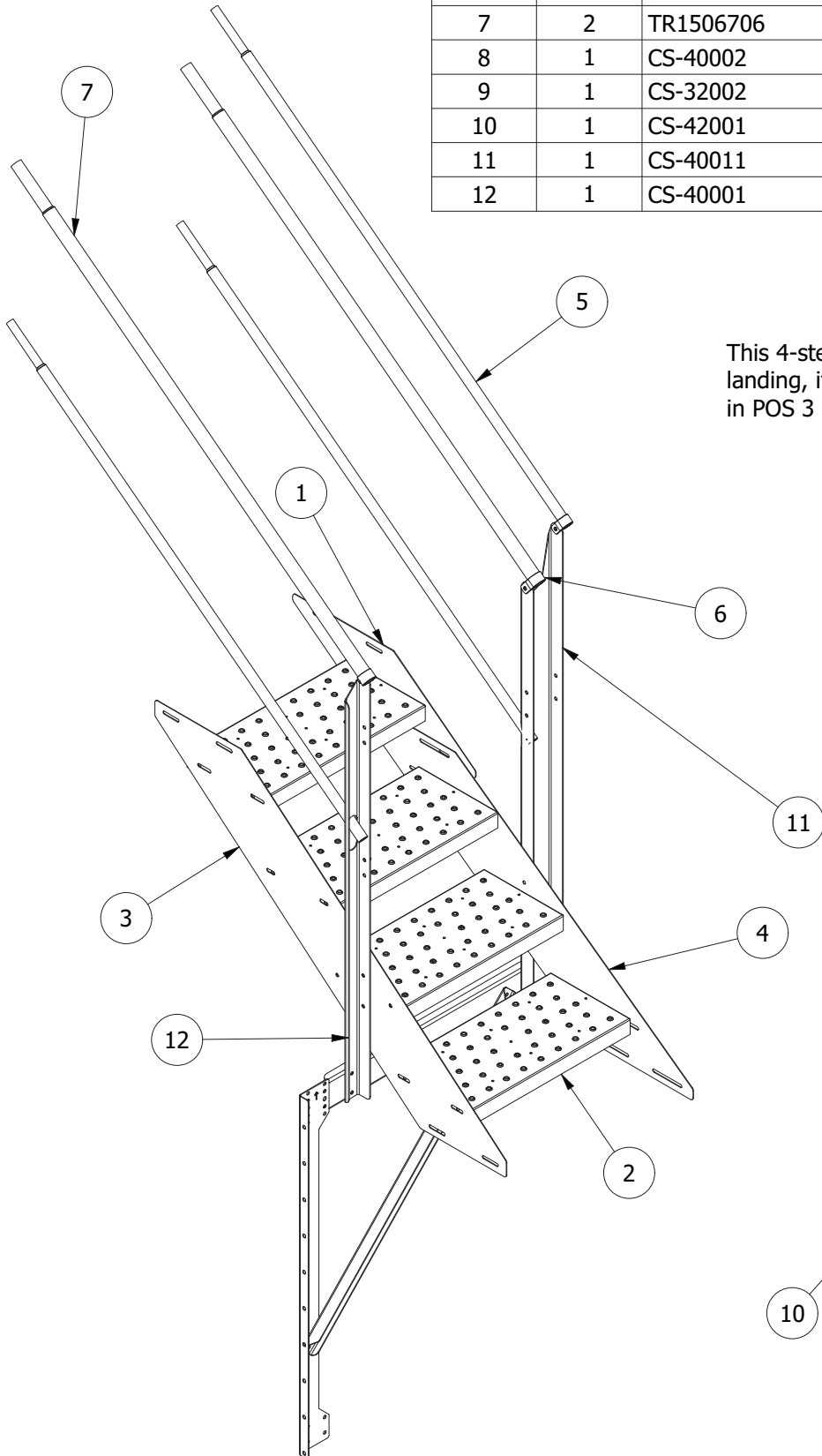
TR1508206



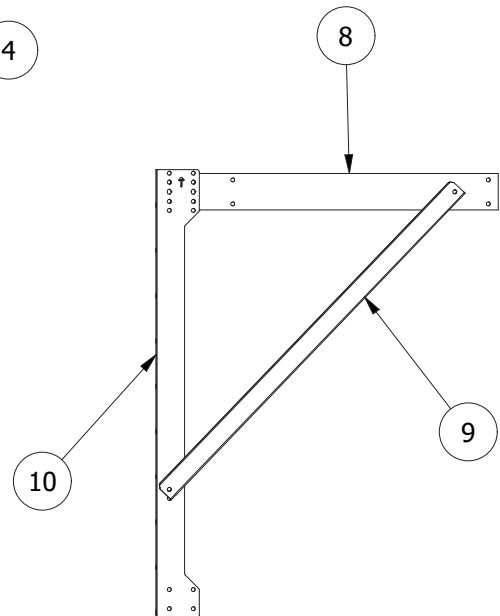
TR1008206

**Parts List, CC4204
C-Series Commercial 42"
4 Step Stair Section**

PARTS LIST			
ITEM	QTY	PART NUMBER	DESCRIPTION
1	1	CS-42046	Stringer, Outside, 1 Step
2	4	CS41224	Tread Step 24 x 12 Assembly
3	1	CS-42044	Stringer, Inside, 4 Step
4	1	CS-42048	Stringer, Outside, 3 Step
5	3	TR1006706	67 in 1 in dia tubing 6in swage
6	2	HRC1500	Handrail Clamp for 1.5 in
7	2	TR1506706	67 in x1.5 in Railing 6 in Swage
8	1	CS-40002	Channel, Crossbar
9	1	CS-32002	Channel, K-Brace, C-Series
10	1	CS-42001	Bracket, Wall, 42" ring
11	1	CS-40011	Post, Stair Rail, Outside
12	1	CS-40001	Post, Stair, Inside



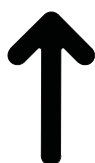
This 4-step section is used before each rest landing, it must be supported by an A-frame in POS 3



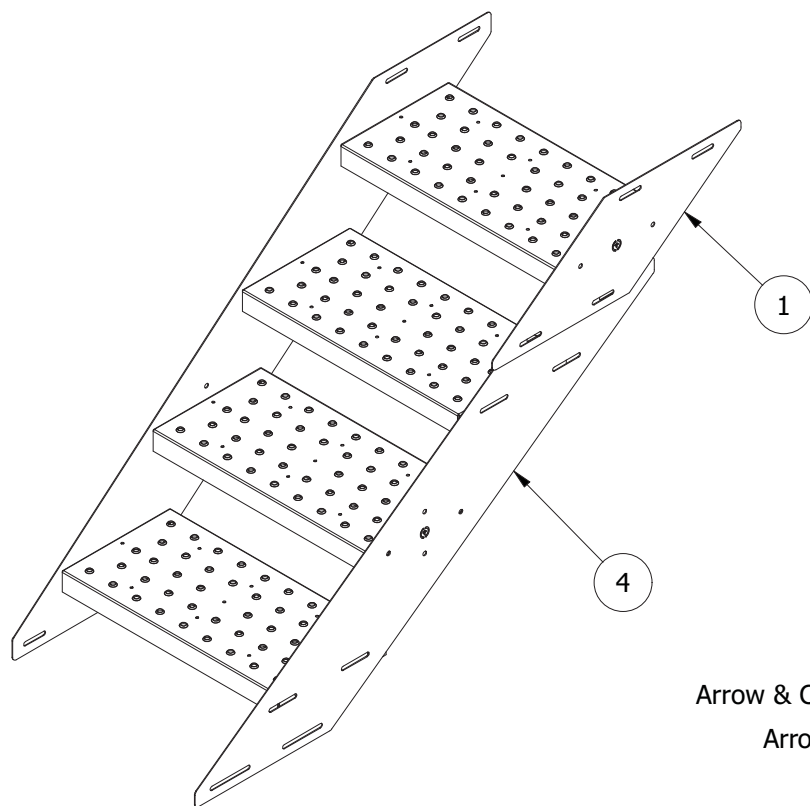
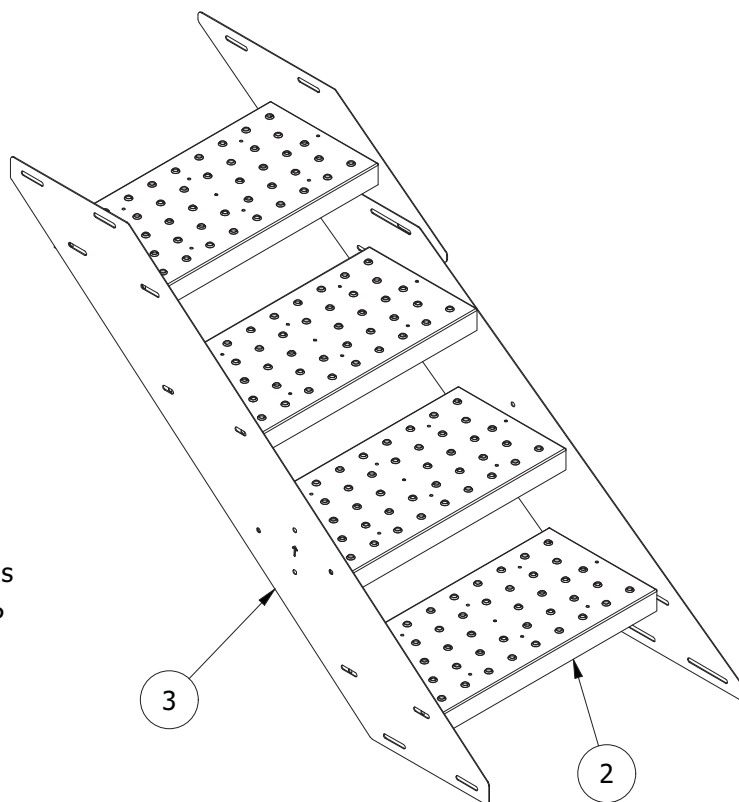
CC4204 C-Series Commercial 42" 4 Step Stair Section

On the CC4204 stair section,
the inside siderail is a one piece 4-step,
the outside siderail is a two piece, 3-step and 1-step.

PARTS LIST			
ITEM	QTY	PART NUMBER	DESCRIPTION
1	1	CS-42046	Stringer, Outside, 1 Step
2	4	CS41224	Tread Step 24 x 12 Assembly
3	1	CS-42044	Stringer, Inside, 4 Step
4	1	CS-42048	Stringer, Outside, 3 Step

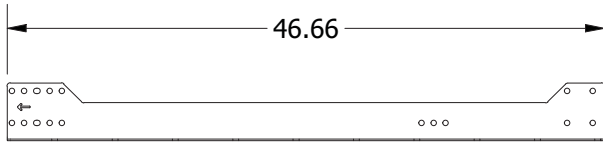


Arrow on Inside Siderails
Arrows Always Face UP

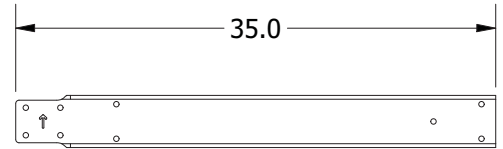


Arrow & Circle on Outside Siderails
Arrows Always Face UP

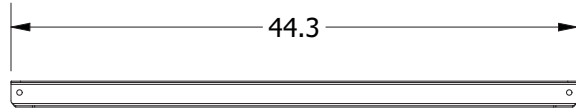
CC4204 Parts ID



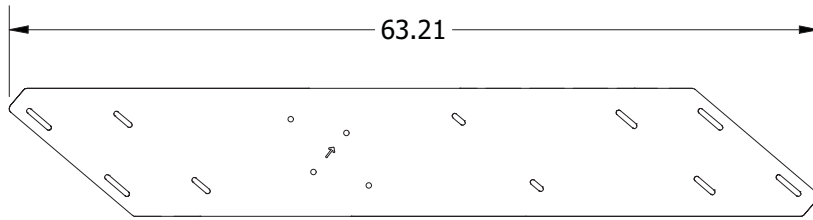
CS-42001



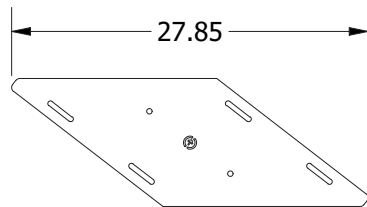
CS-40002



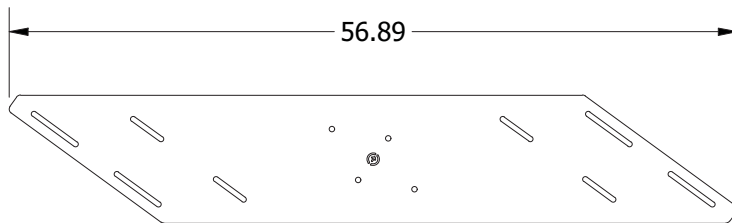
CS-32002



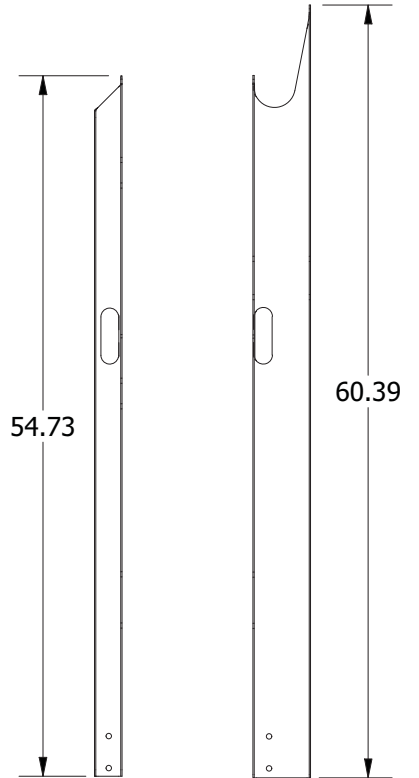
CS-42044



CS-42046

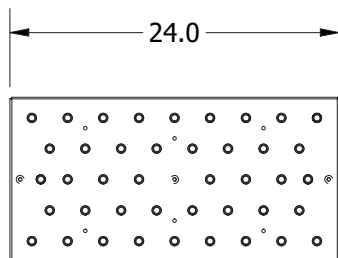


CS-42048

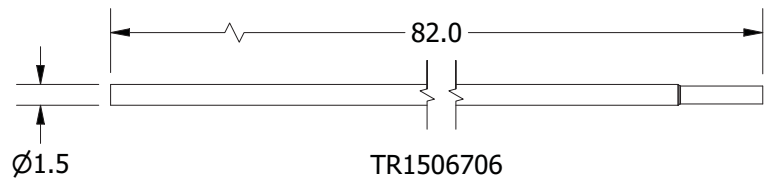


CS-40001

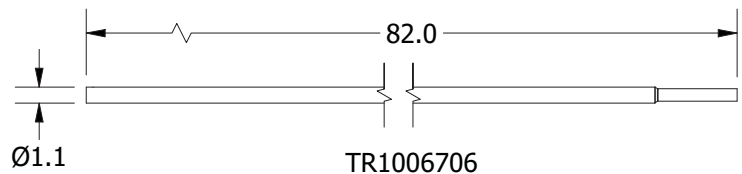
CS-40011



CS41224



TR1506706

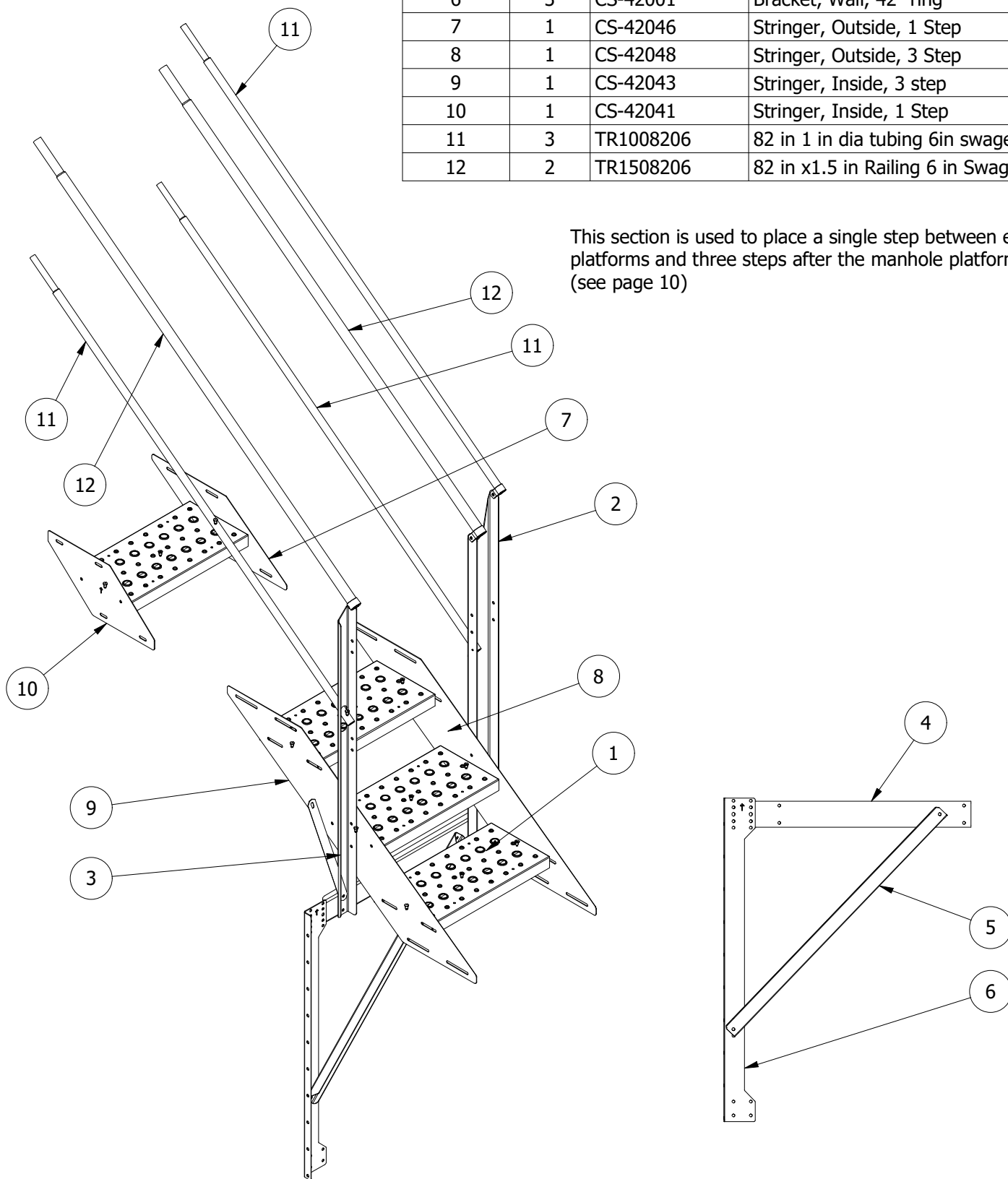


TR1006706

**Parts List, CC4204P
C-Series Commercial 42"
4 Step Stair Section**

PARTS LIST			
ITEM	QTY	PART NUMBER	DESCRIPTION
1	4	CS-41224	Tread Step 24x12
2	1	CS-40011	Post, Stair Rail, Guard Rail Outside
3	1	CS-40001	Post, Inside Stair
4	1	CS-40002	Channel, Crossbar
5	1	CS-32002	Channel, K-Brace, C-Series
6	3	CS-42001	Bracket, Wall, 42" ring
7	1	CS-42046	Stringer, Outside, 1 Step
8	1	CS-42048	Stringer, Outside, 3 Step
9	1	CS-42043	Stringer, Inside, 3 step
10	1	CS-42041	Stringer, Inside, 1 Step
11	3	TR1008206	82 in 1 in dia tubing 6in swage
12	2	TR1508206	82 in x1.5 in Railing 6 in Swage

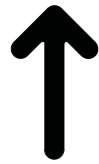
This section is used to place a single step between eave platforms and three steps after the manhole platform (see page 10)



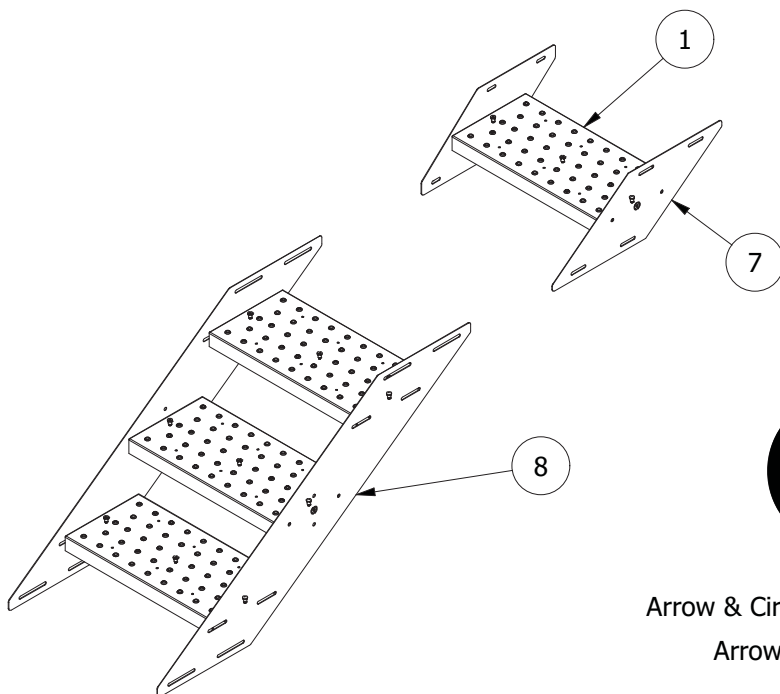
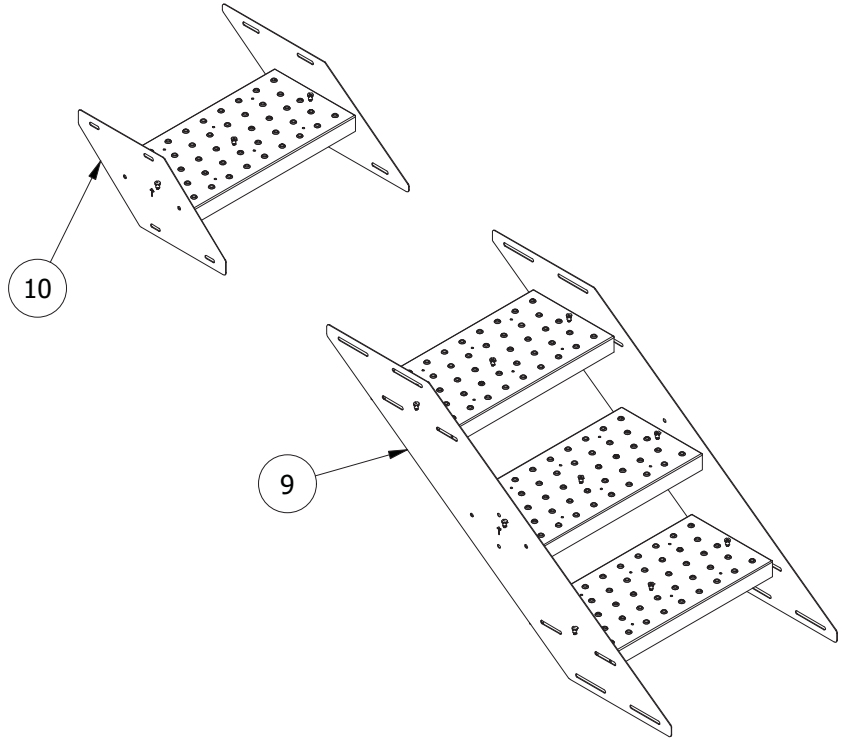
**CC4204P C-Series
Commercial 42"
4 Step Stair Section**

PARTS LIST			
ITEM	QTY	PART NUMBER	DESCRIPTION
1	4	CS-41224	Tread Step 24x12
7	1	CS-42046	Stringer, Outside, 1 Step
8	1	CS-42048	Stringer, Outside, 3 Step
9	1	CS-42043	Stringer, Inside, 3 step
10	1	CS-42041	Stringer, Inside, 1 Step

On the CC4204P stair section,
the inside siderail is a two piece, 3-step and 1-step.
the outside siderail is a two piece, 3-step and 1-step.

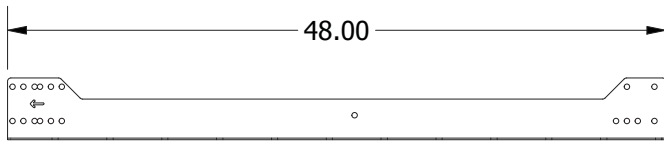


Arrow on Inside Siderails
Arrows Always Face UP

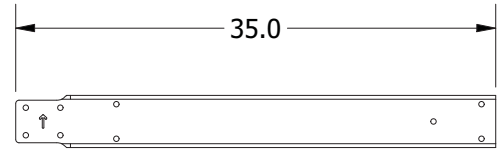


Arrow & Circle on Outside Siderails
Arrows Always Face UP

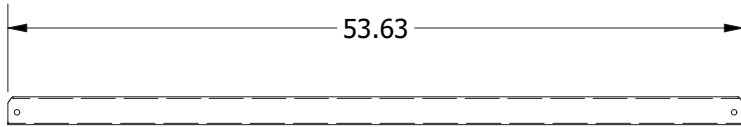
CC4204P Parts ID



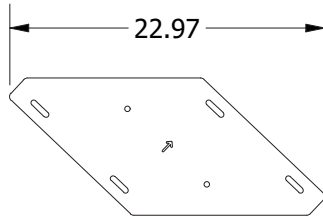
CS-44001



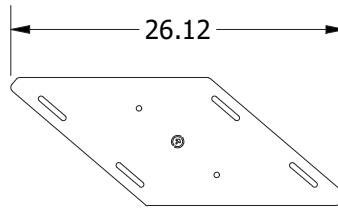
CS-40002



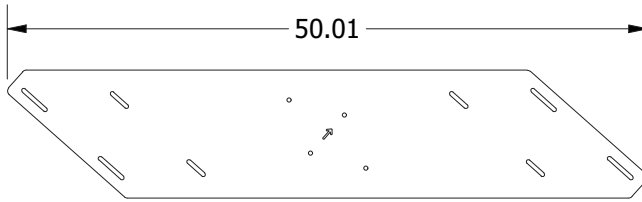
CS-44002



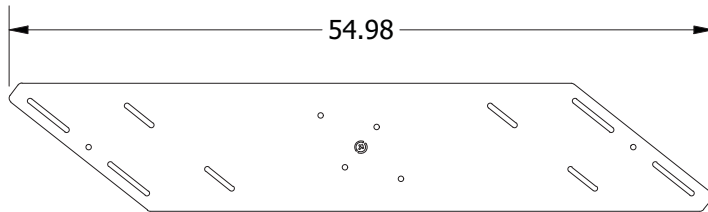
CS-44041



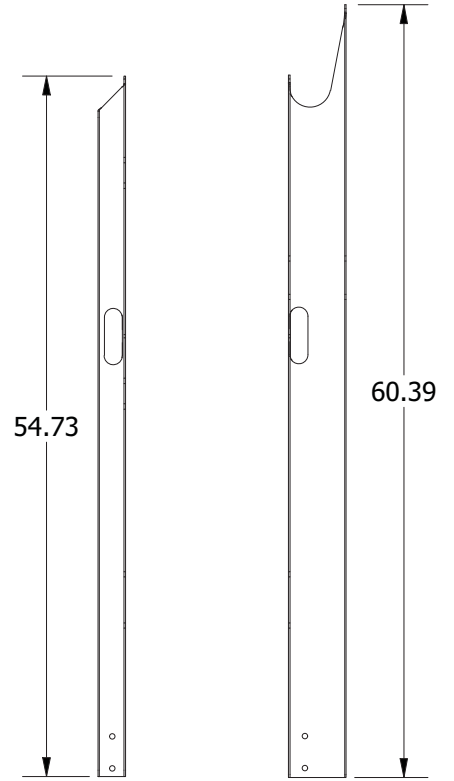
CS-44046



CS-44043

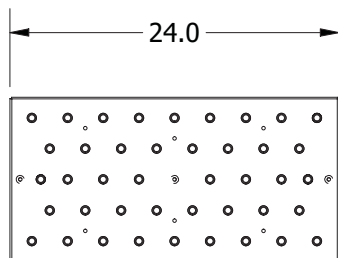


CS-44048

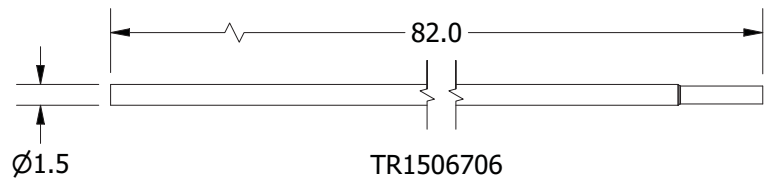


CS-40001

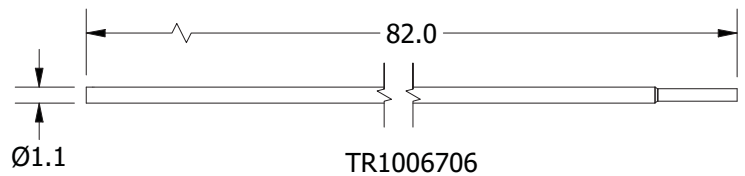
CS-40011



CS41224



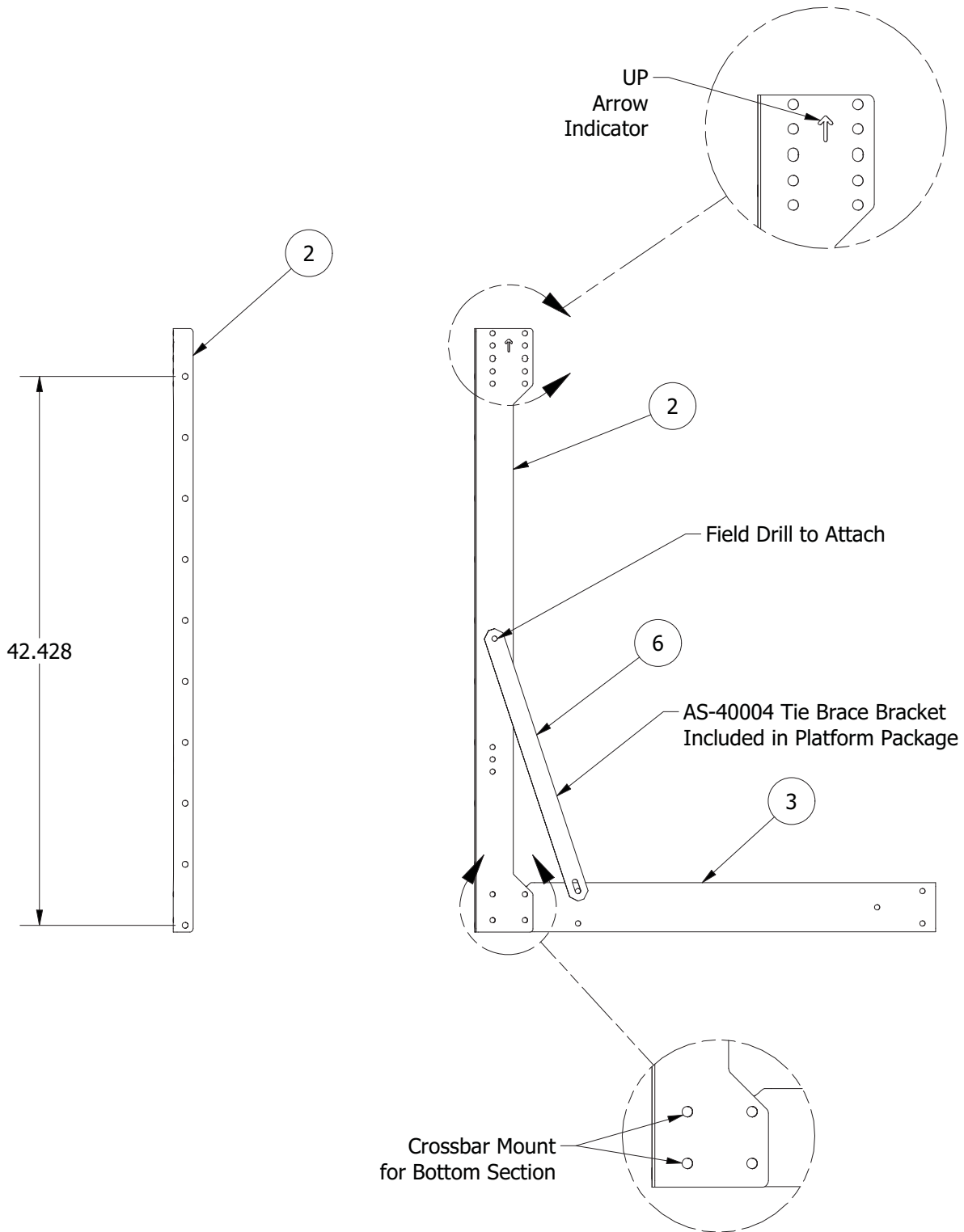
TR1506706



TR1006706

A-Frame Bottom Section

PARTS LIST			
ITEM	QTY	PART NUMBER	DESCRIPTION
2	1	CS-42001	Bracket, Wall, 42" ring
3	1	CS-40002	Channel, Crossbar
6	1	AS-40004	Bracket, Tie Brace



Bottom Stair Section Assembly

The AS-40004 tie brace and ART-2226 bottom end rail are included in the stair platform package.

Attach the tie brace to the inside post and field drill and bolt to the wall bracket as shown.

Install the bottom end rail into the stair handrail. Attach the flattened end to the stair post as shown. Drill a hole at the lowest point for drainage.

