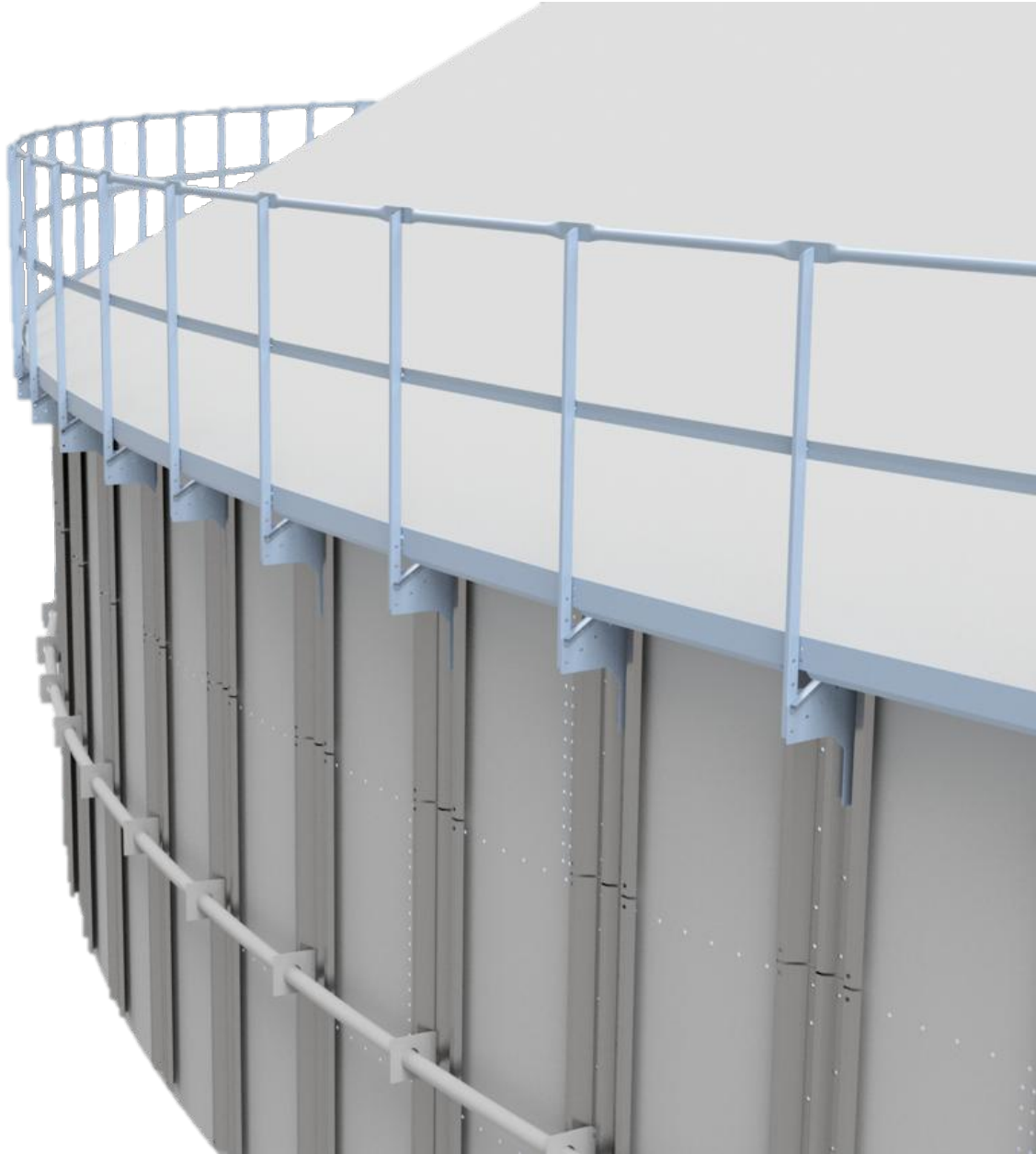
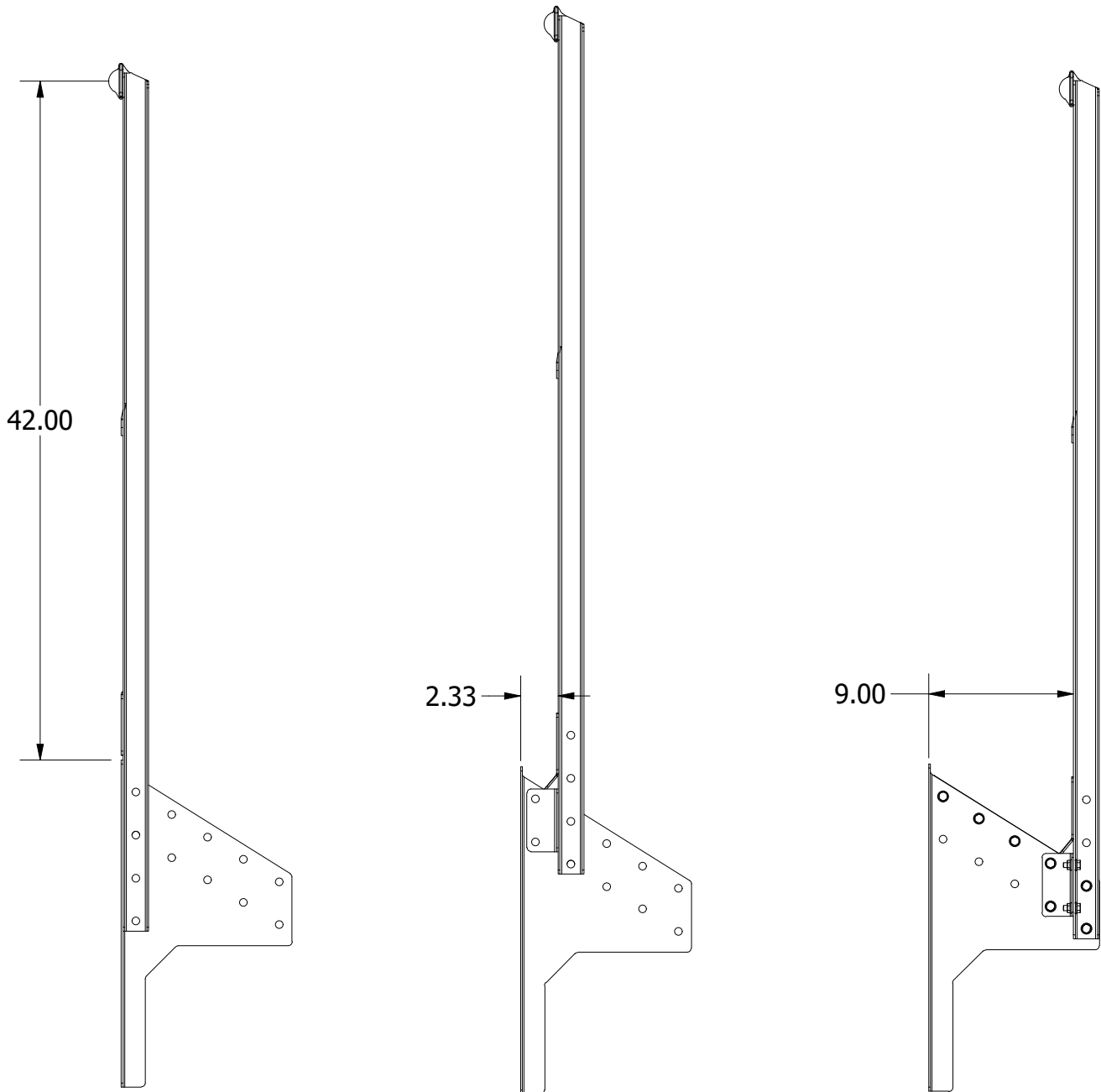


Perimeter Safety Rail System PSR4239



PSR4239 is a system that provides a range of application options for 4.72" corrugation and 3.28" corrugation bin sheets. Horizontal bolt spacings are used to space the posts every 38.88" (4 bolt spaces of 9.72") or 37.08" (9 bolt spaces of 4.12").

The upper flange of the wall bracket provides five positions for locating the post as close as possible to the outside edge of the roof panels, depending on the overhang.

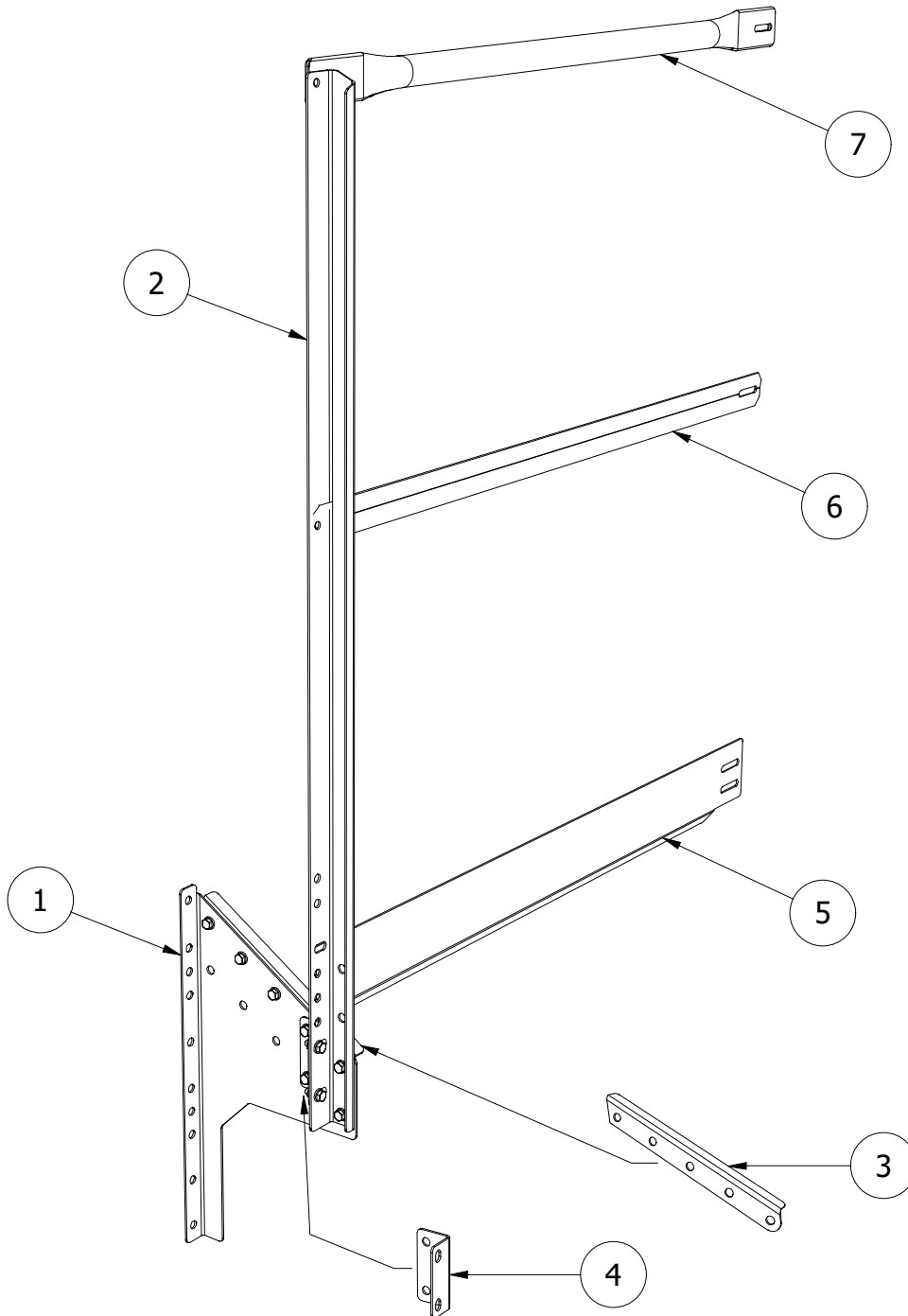


Position 1, flat top
(Requires field modification on PSR4239,
non-stiffened bins only)

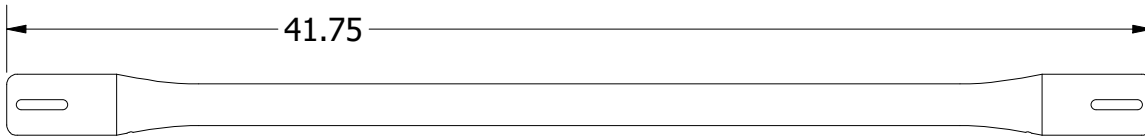
Position 2

Position 5

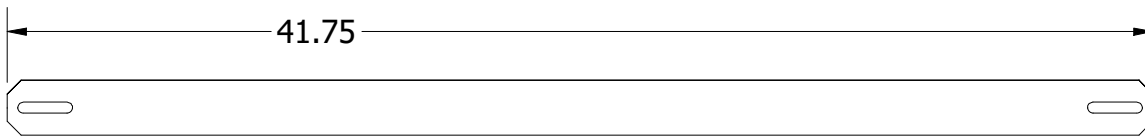
PARTS LIST			
ITEM	QTY	PART NUMBER	DESCRIPTION
1	1	PSR-3010	Angle, Wall Bracket 4239, Eave PSR
2	1	PSR-3001	Angle, Post, J-channel, Eave PSR
3	1	PSR-3002	Brace, Angle, Stiffener
4	1	PSR-3003	Bracket, Support, Post
5	1	PSR-3004	Brace, Plate, Kickboard, 42"
6	1	PSR-3005	Brace, Plate, Intermediate Rail, 42"
7	1	TRS1504175	41.75 Long 1.5 in tube railing slotted end tabs



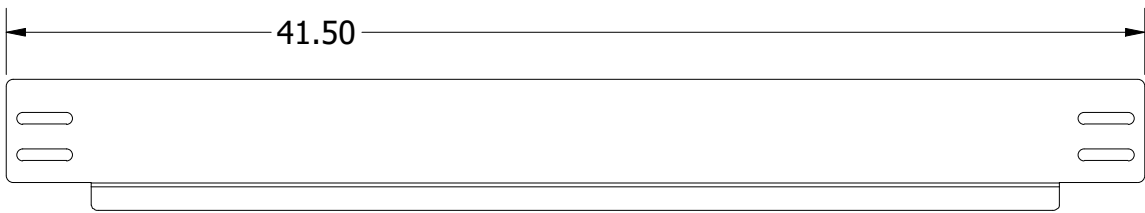
Reference this page for component dimensions and ID numbers.



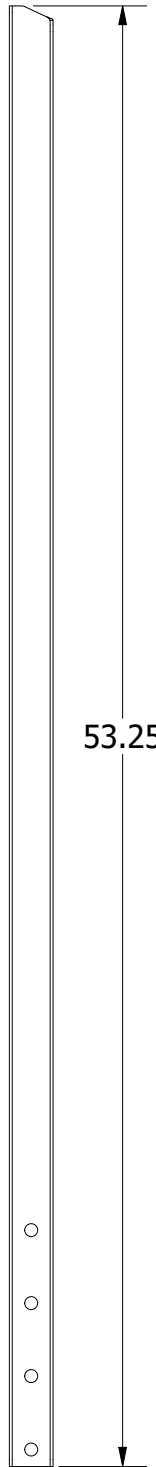
TRS1504175



PSR-3005

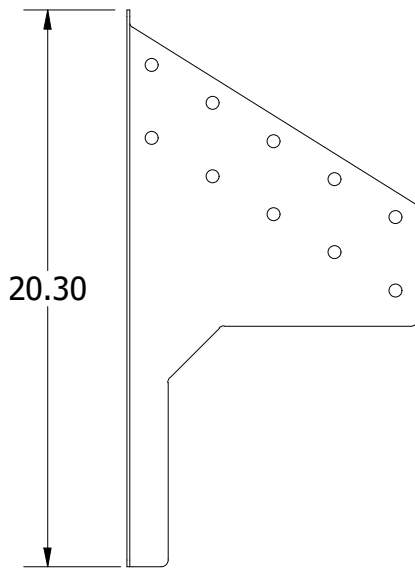


PSR-3004



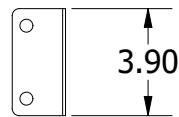
53.25

PSR-3001



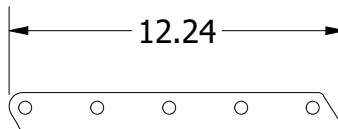
20.30

PSR-3010



3.90

PSR-3003



12.24

PSR-3002

All parts scaled 1:7

Wall Bracket Layout

Attach the wall brackets to the top ring just below the eave:

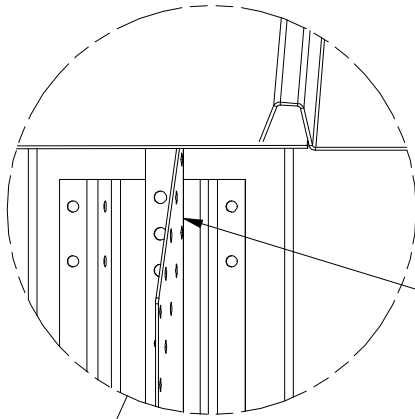
Every 4 bolt spaces at 9.72" = 38.88"

Every 9 bolt spaces at 4.12" = 37.08"

On 3-stiffened bins, the wall brackets can be mounted in every stiffener (see next page).

On 2-stiffened bins, the wall brackets will land in some of the stiffeners.

On 3-panel roofs, locate the posts as close as possible to the roof panel laps. This will help the kickboard mount closer to the edge of the roof.



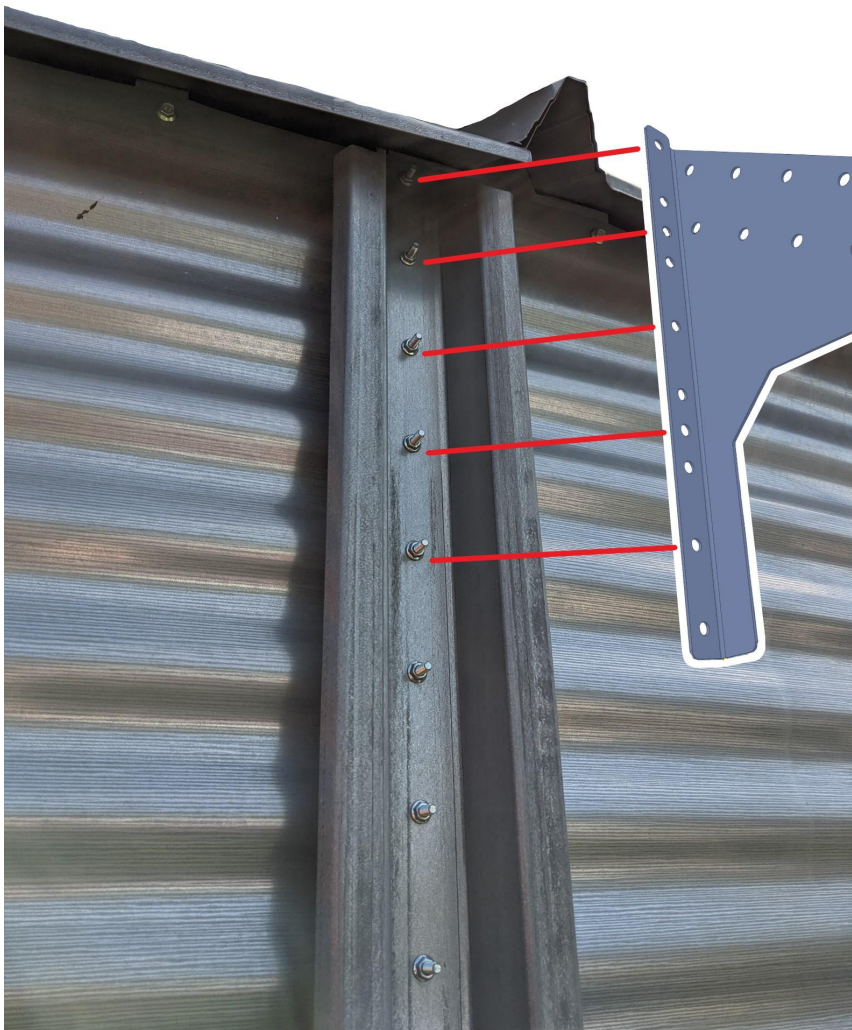
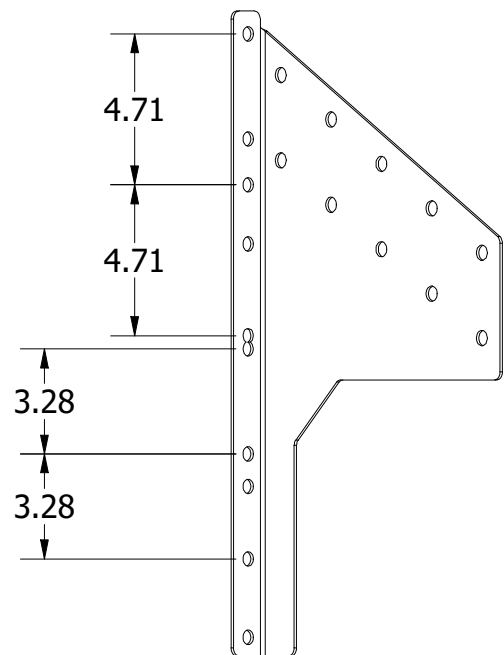
Ideal configuration: Wall bracket mounted in stiffener,
as close to roof rib as possible



Wall Brackets in Stiffeners

In the PSR4239 package, the wall bracket has a pre-punched layout for two sizes of corrugated sheets. They can be mounted using the bolt studs in exterior stiffeners without drilling.

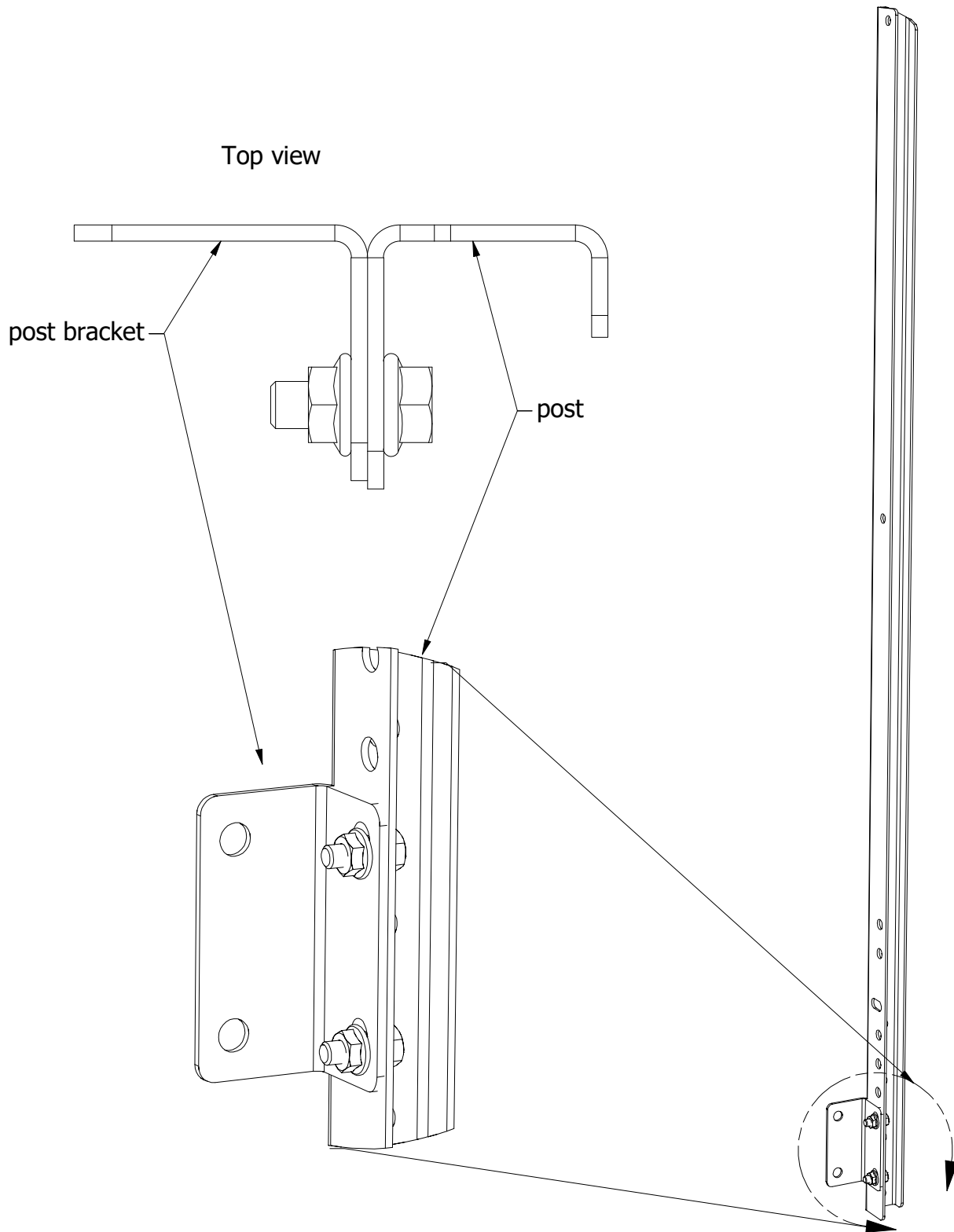
If mounting directly to the bin wall, use the hole at the top of the sheet and field-drill three additional holes in the bin sheet at the corrugation peaks. Use bin bolts with a sealing washer to attach the wall bracket.



Retro-fit with existing stiffeners.
(44" example shown)

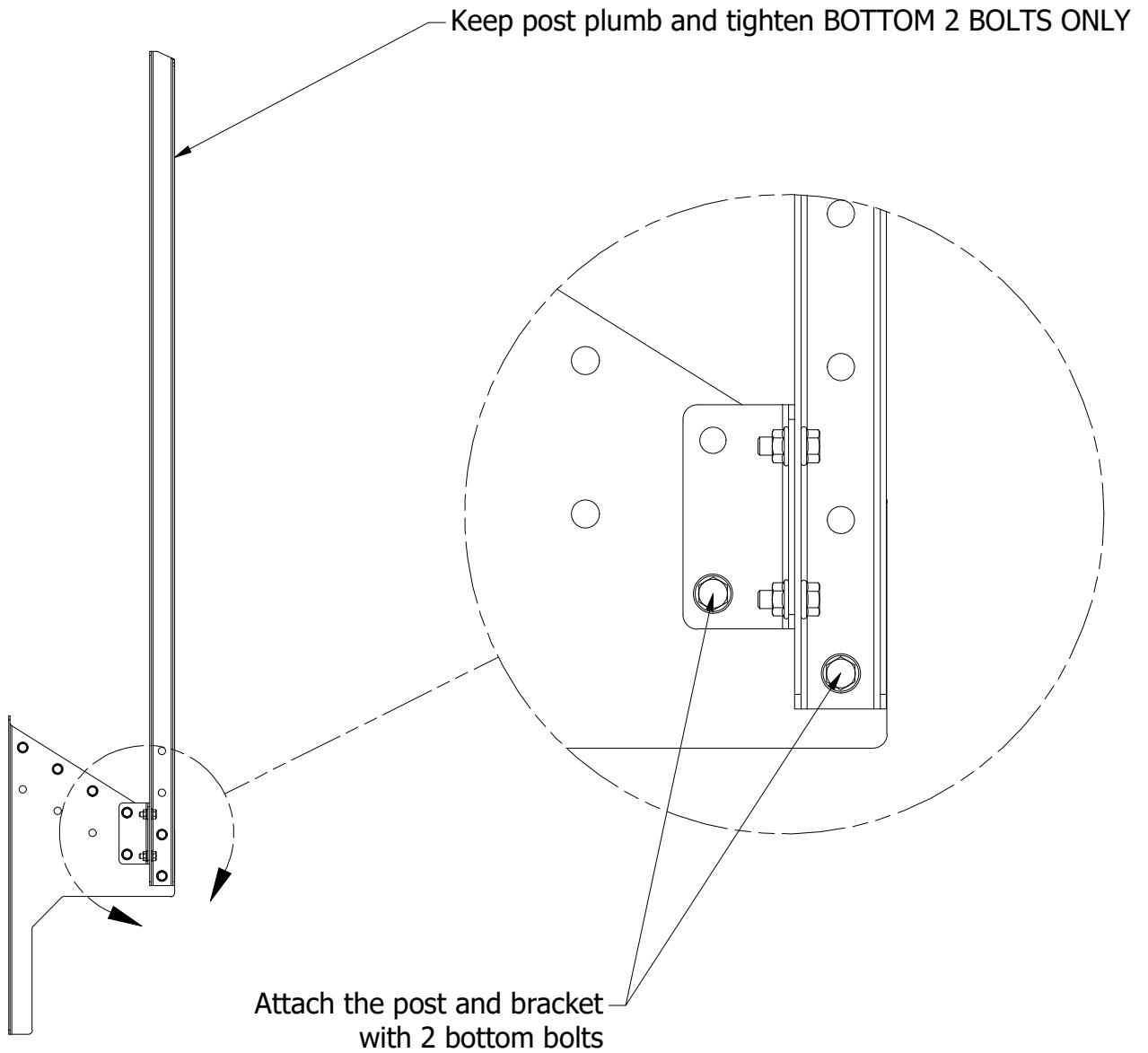
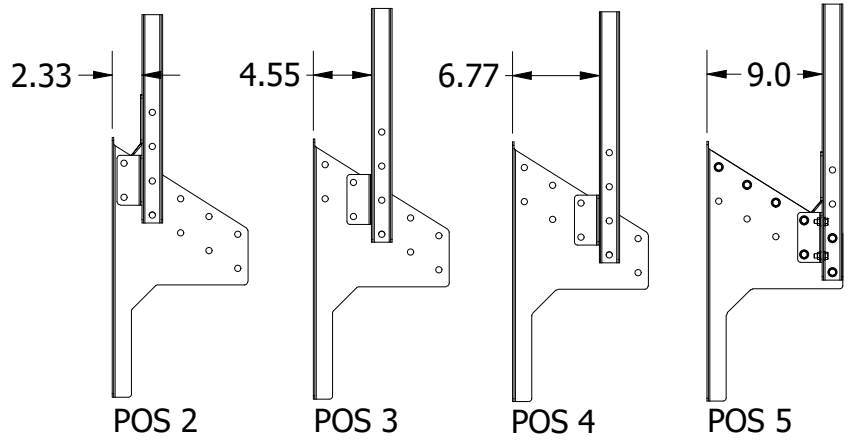
Attaching the Post

Loosely bolt the post bracket to the base of the post.
Do not tighten until post is plumb.



Attaching the Post

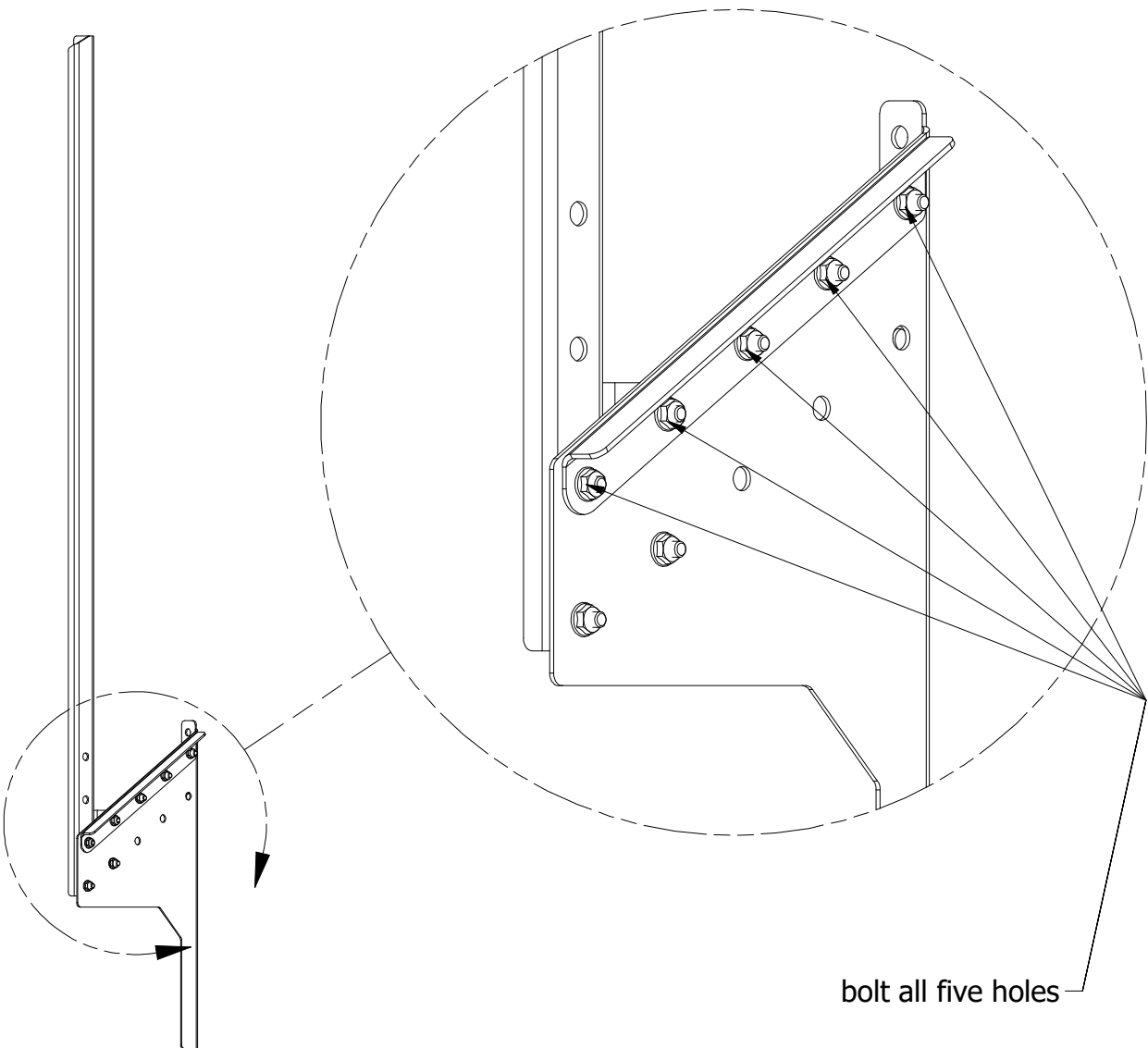
Use one of the positions on the wall bracket layout to attach the post as close as possible to the edge of the bin roof.



Attaching the Stiffener

Attach the lateral stiffener to the reverse side of the wall bracket as shown. This orientation may help clear any nearby stiffeners. Bolt the remaining upper holes of the post and bolt the remaining holes in the stiffener.

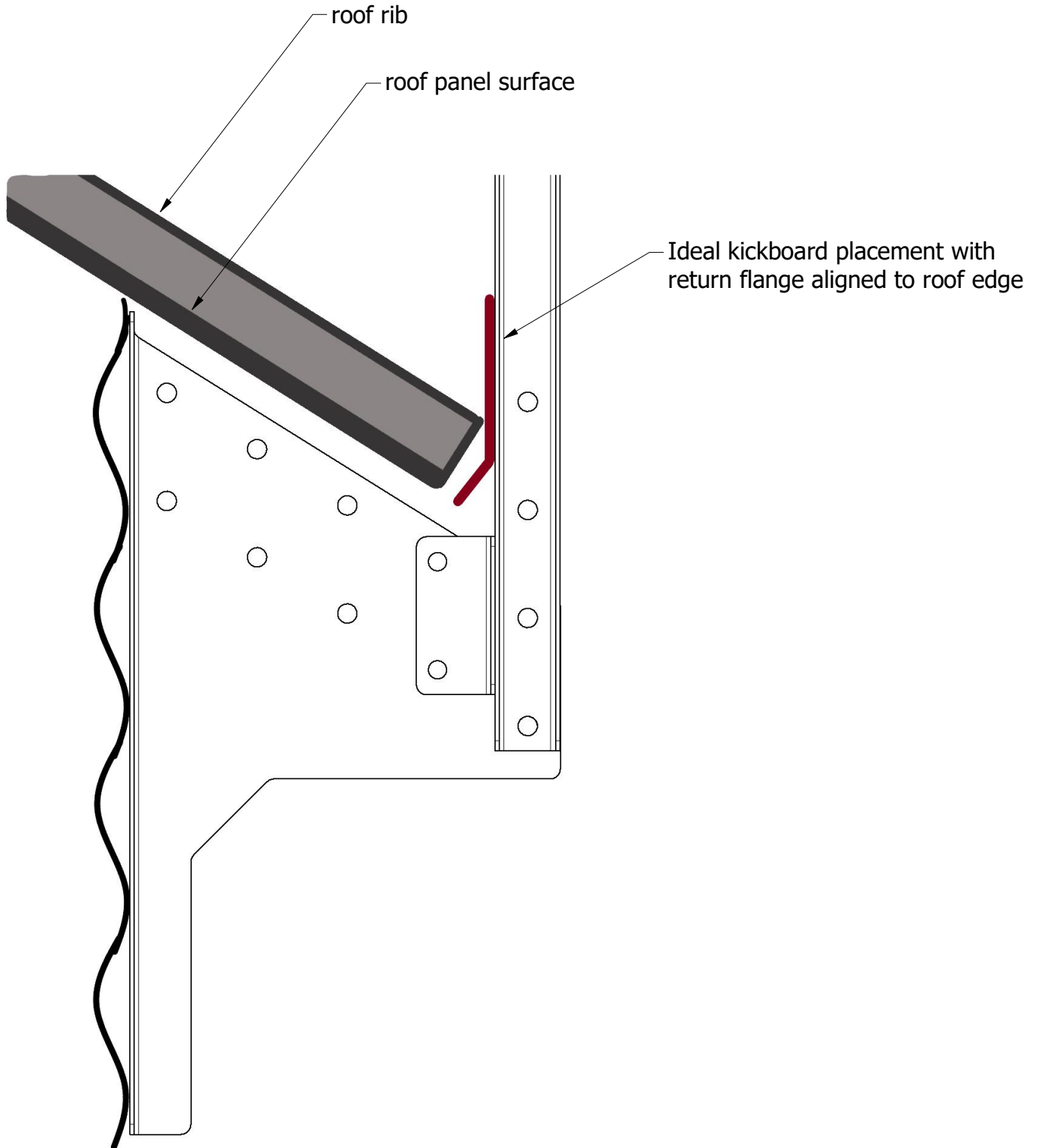
Ensure the post is plumb and tighten all bolts



Attaching the Kickboards

Attach kickboards to the inside surface of the posts with the return flange pointing toward the roof edge as shown.

Adjacent kickboards share the post, do not tighten until both kickboards are attached.



Attaching the Railings

Bolt the intermediate rail and handrail to the posts.

The Intermediate rail is a plate-style rail with a shallow bend for rigidity.

The Handrail is a smashed-tube style rail, ensure the weep holes are pointed down for drainage.

