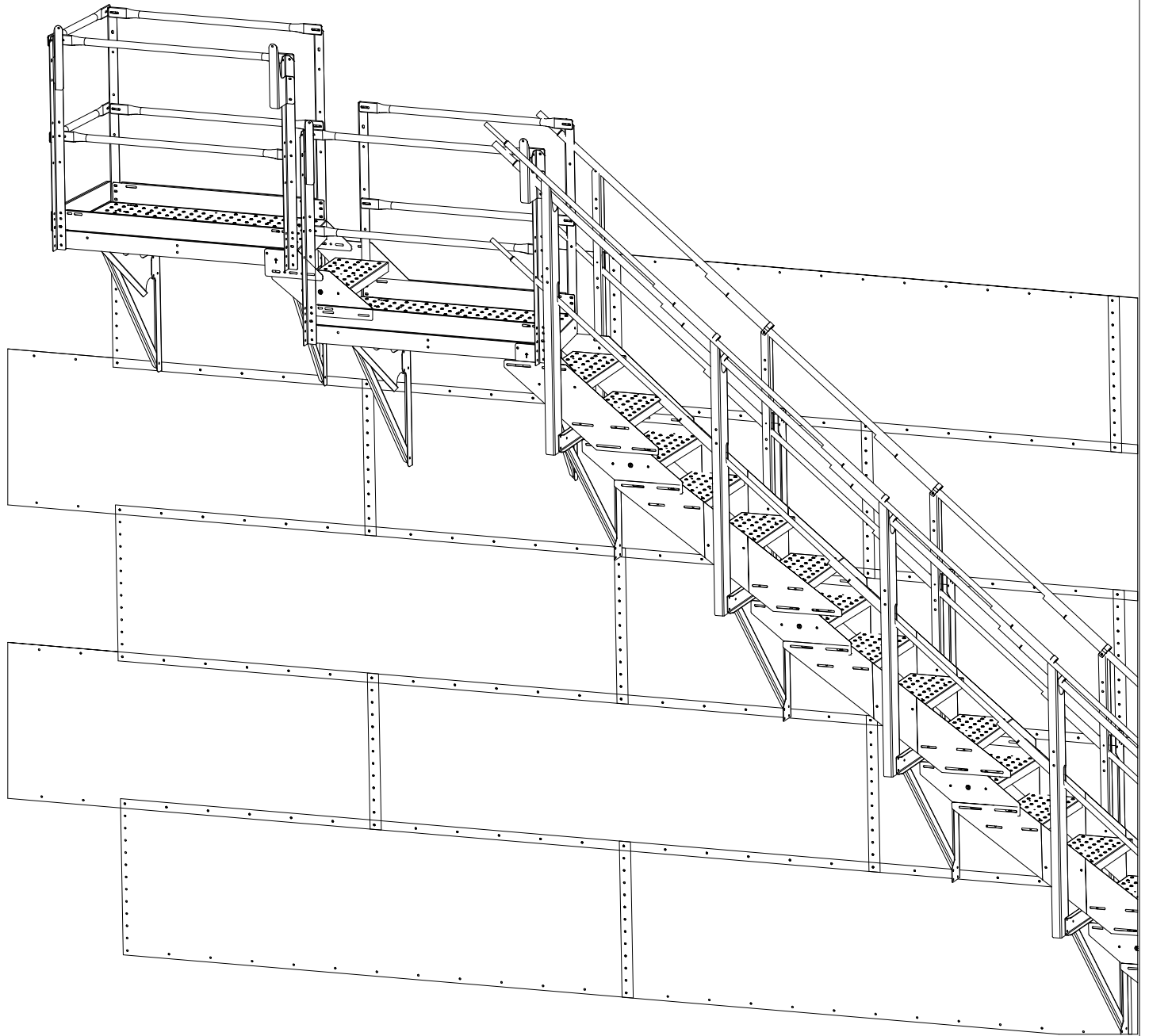


# C-Series Sidewall Stairs

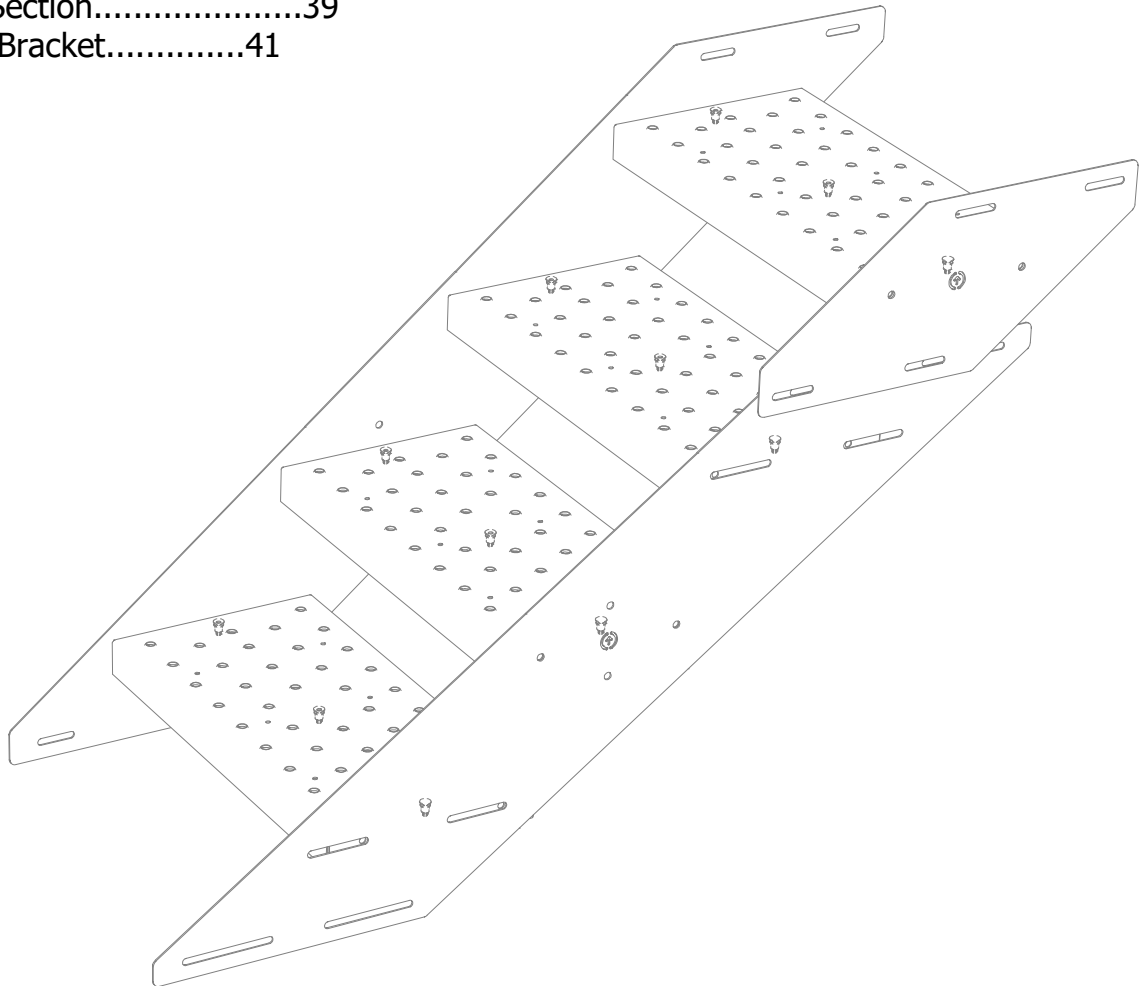
## 32" Commercial Assembly Instructions



# C-Series Sidewall Stairs

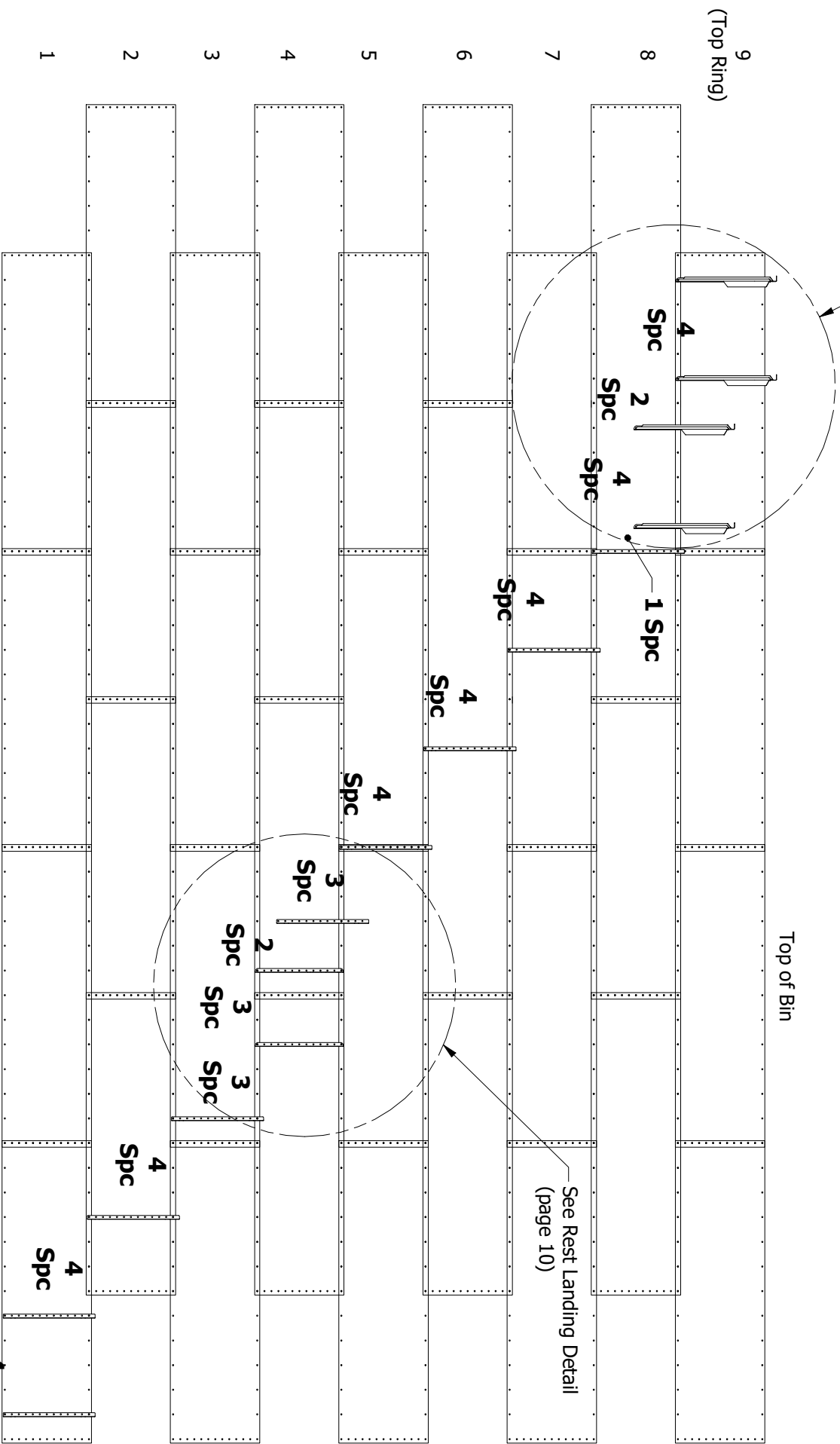
## Document Guide

Wall Bracket Layouts.....	3
Eave & Landing Platform Layouts.....	6
Platform 3532L Components & Assembly.....	12
Platform 3632L Components.....	22
Rest Landing Platform 3632S.....	25
Stair section A-frame.....	28
4-Step Stair Section.....	31
Handrail Forming & Attachment.....	34
3-step split stair section.....	36
3-step Stair Section.....	39
Bottom Wall Bracket.....	41



# C-Series Commercial 32" Sidewall Stairs, Wall Bracket Layout, 9-Ring Bin Shown

See Top Platform Detail  
(page 6)



Overall Run Distance can be determined using this formula (single-punched bin sheets):

**Bolt Spaces:** 11 + (4x ring count - 1) + (2x rings with landing) = Total Bolt Spaces

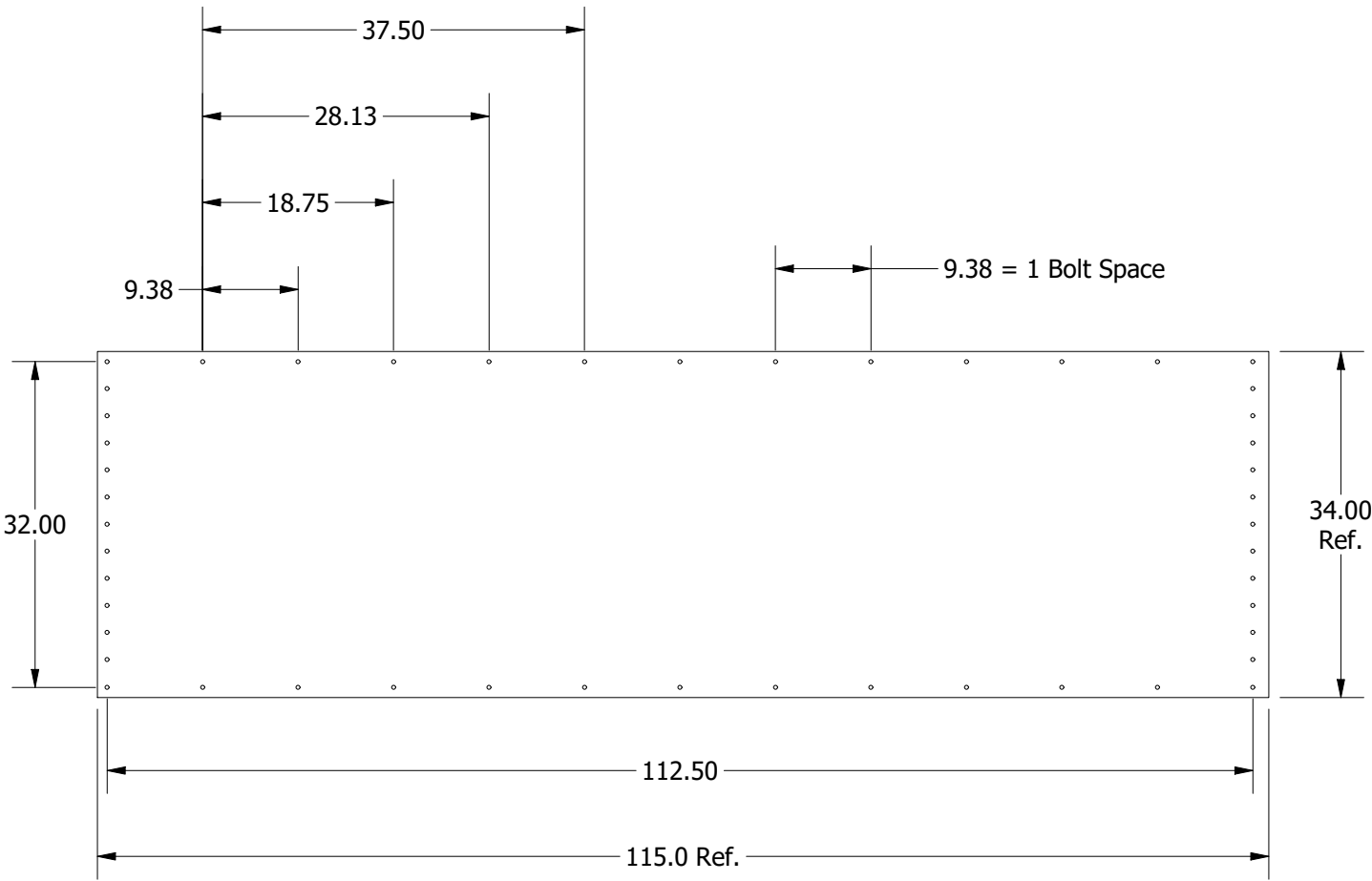
**Bin sheets** = Total bolt spaces/12

# 32" Standard Bin Sheet Bolt Spacing

- A "bolt space" as used in the instruction manual is the center to center distance between two bolt holes on a standard single punched bin sheet.
- The horizontal bolt spacing on a standard 32" narrow bin sheet is 9 3/8".
- The actual chord length of the space will vary slightly from 9 3/8", depending on the bin diameter.

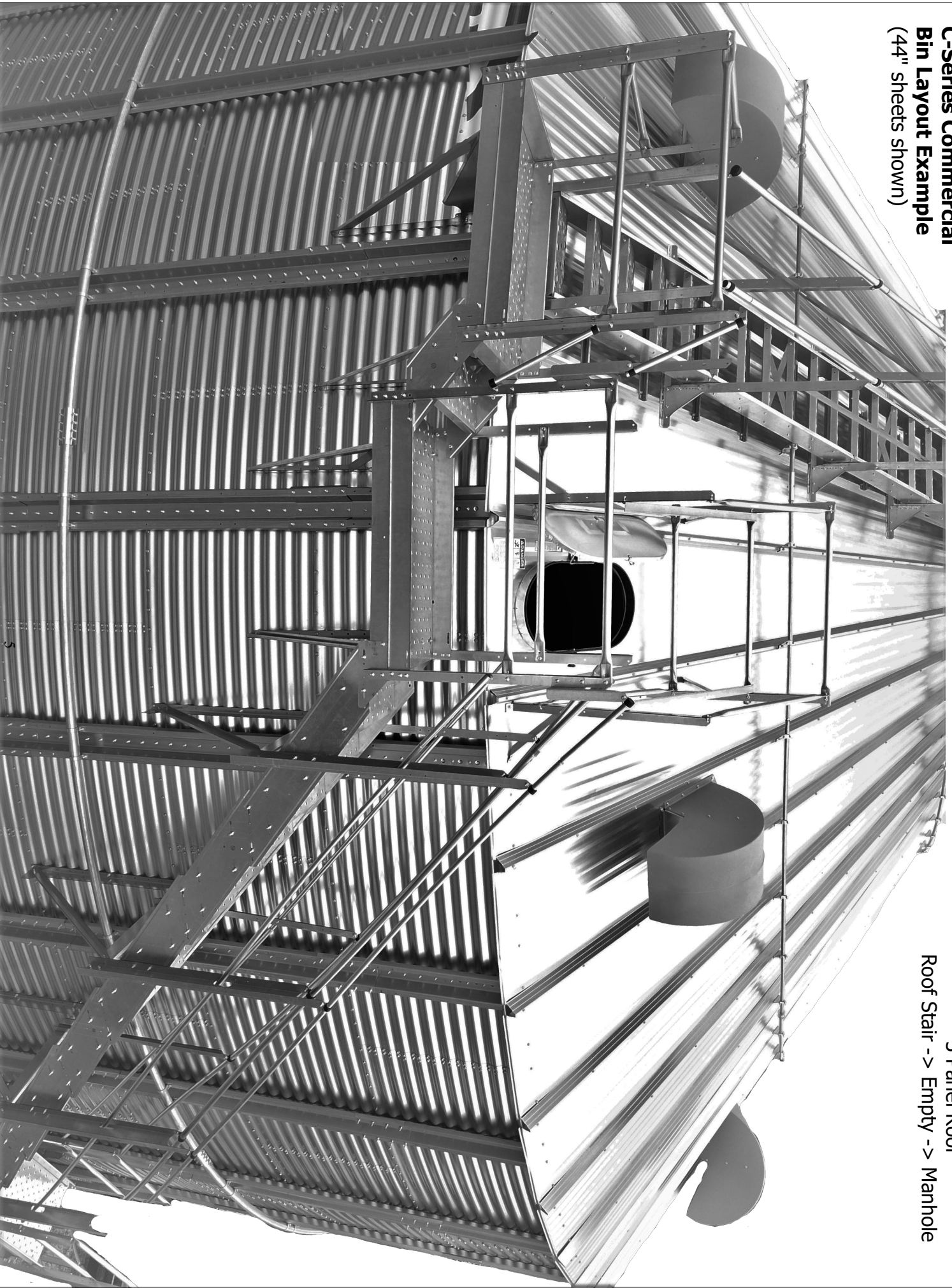
**Note**

On commercial bins and some farm bins, the holes may be double punched, which will change the bolt count. The hole punch pattern / spacing must be verified to ensure the correct layout.



## Bin Sheet Dimensions

**C-Series Commercial  
Bin Layout Example  
(44" sheets shown)**



3 Panel Roof  
Roof Stair -> Empty -> Manhole

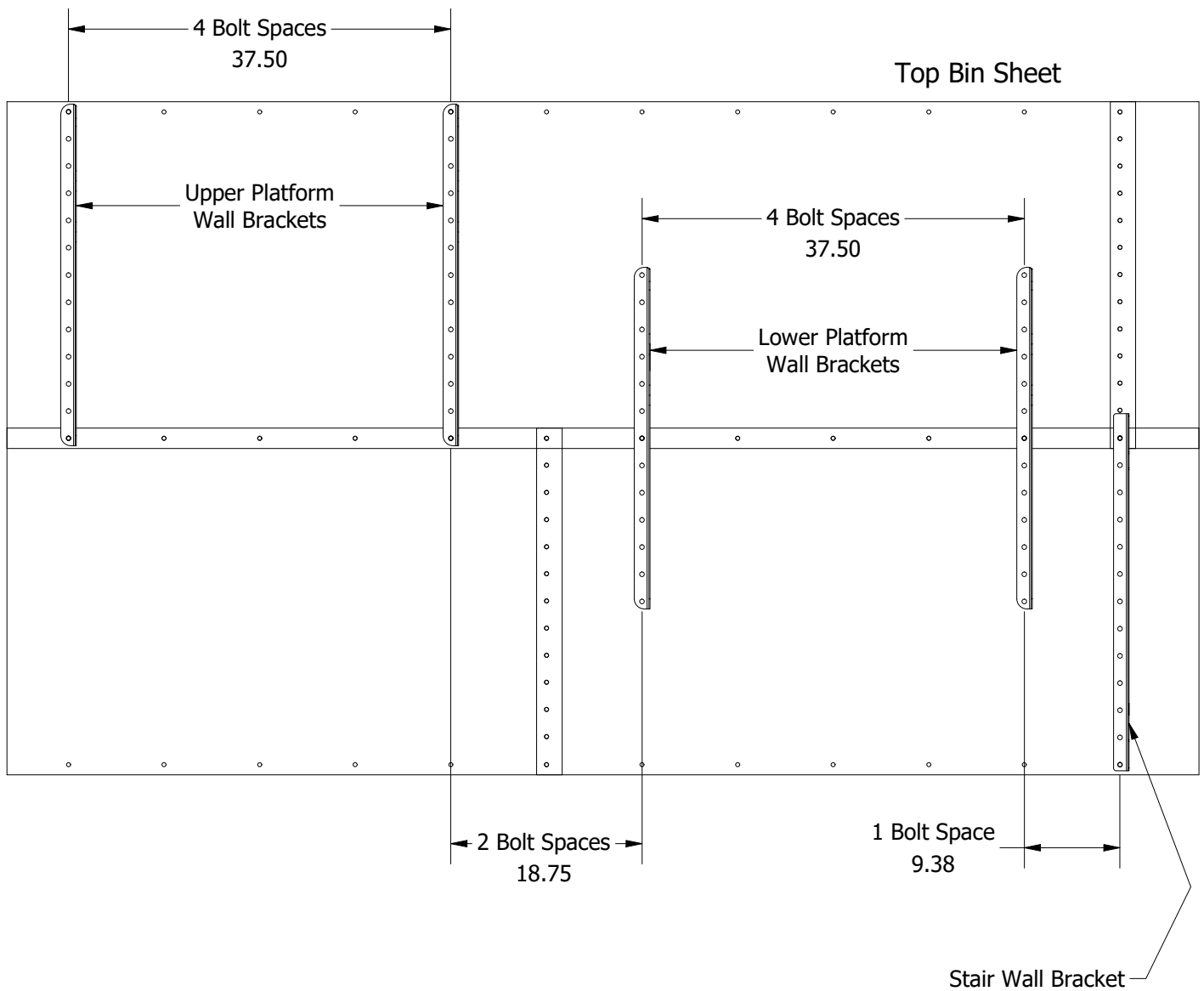
# Platform Wall Bracket Horizontal Bolt Spacing

## C-Series 32" Long Platforms

The horizontal spacing between the long eave platform wall brackets is 4 bolt spaces (37-1/2").

The horizontal spacing between eave platforms is 2 bolt spaces (18-3/4").

The horizontal spacing from the lower platform to the stair wall bracket is 1 bolt space (9-3/8").

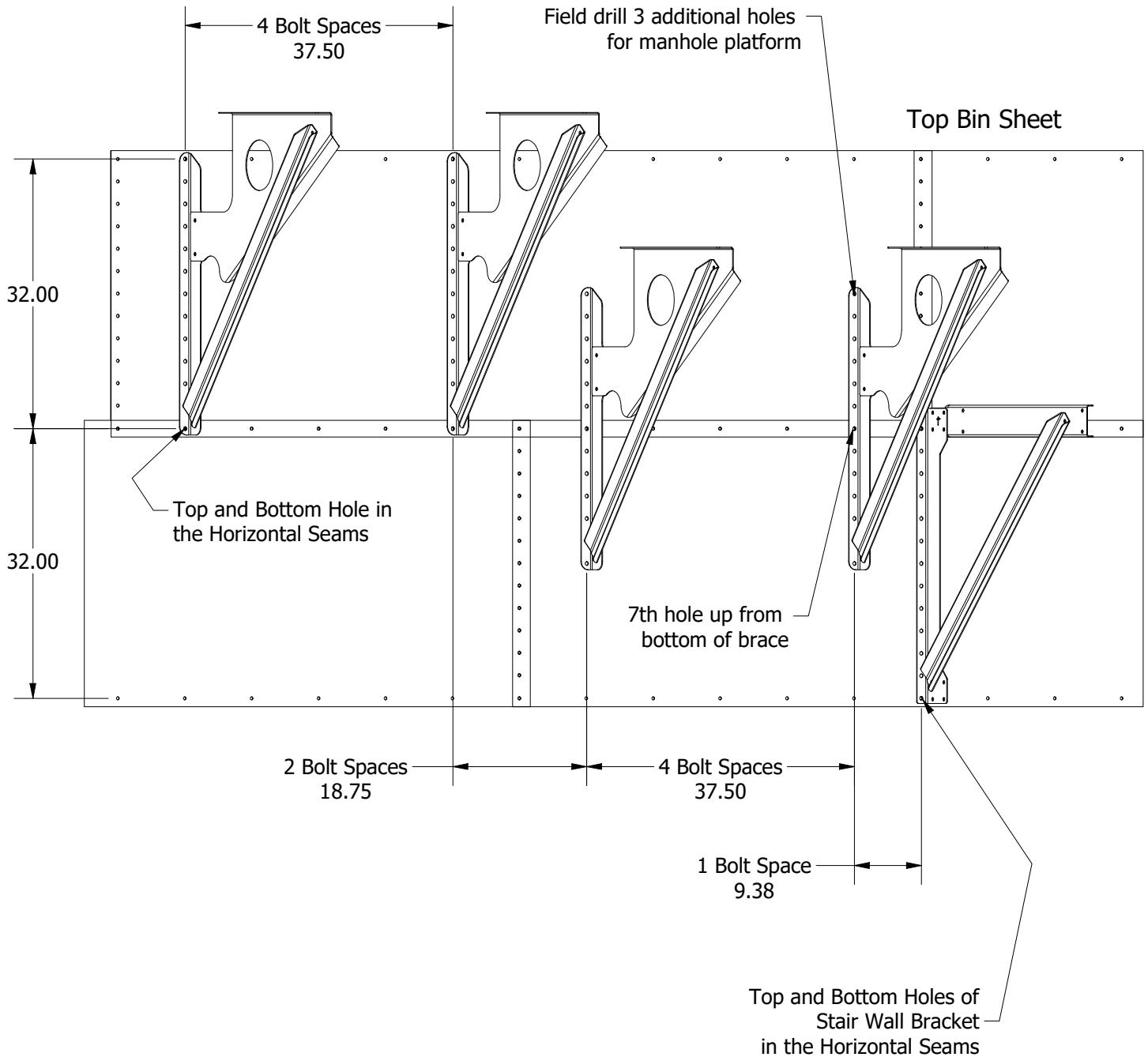


# Platform Wall Brackets and A-frame

## C-Series Commercial 32" Long Eave Platforms

Both eave platforms use triangular braces, stair sections use A-frames.

Eave platform wall brackets should use four bolts each, field drill as needed

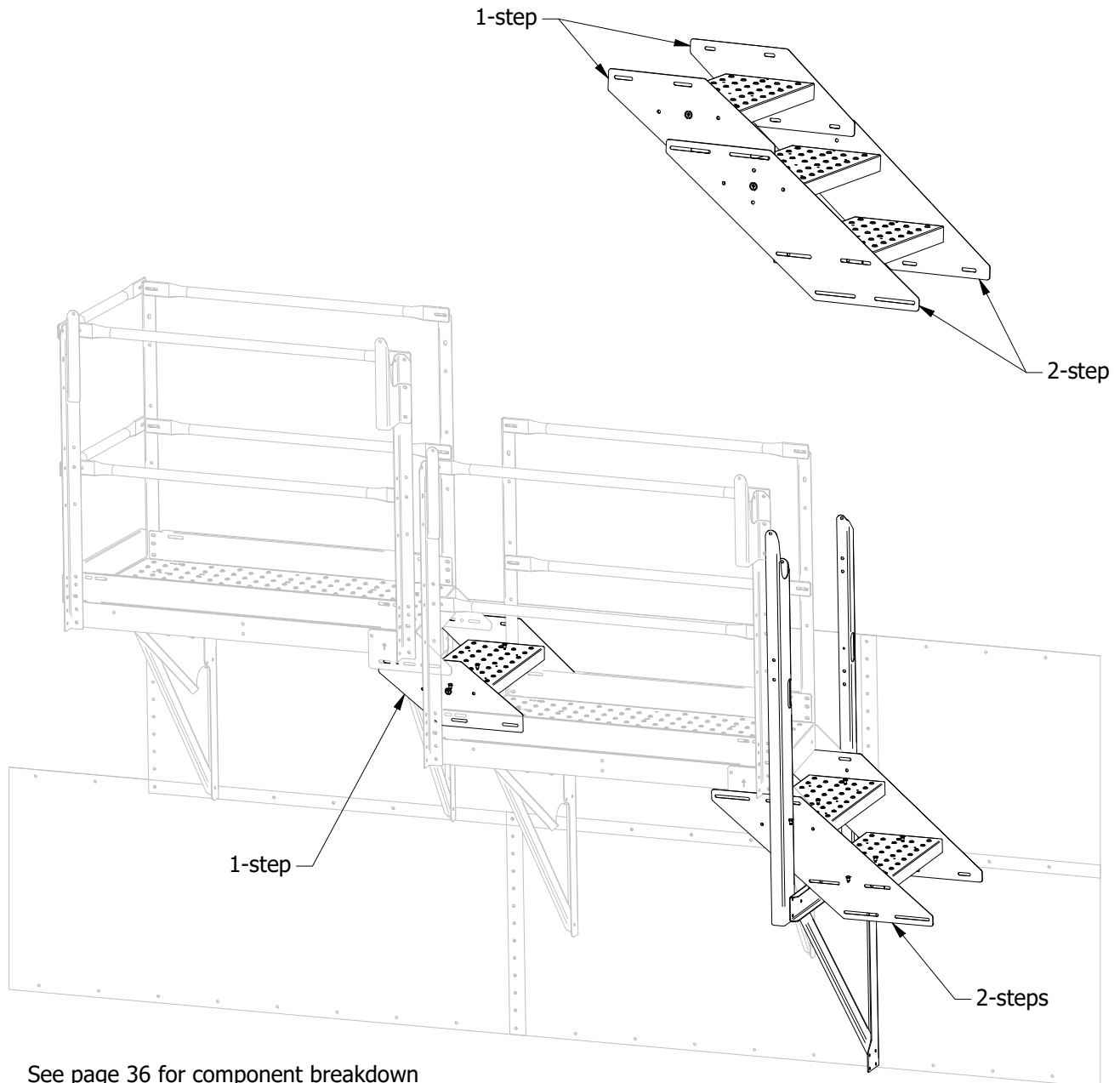


## Eave Platform Detail 3-Step Stair Section

On the CC3203P platform stair section,  
both inside and outside siderails are a two piece section; 2-step and 1-step.

When using on the double eave high low platforms,  
the 1-step stair section is used as a step between the platforms.

the 2-step stair section is used below the lower platform as a starter to connect the 4-step sections.

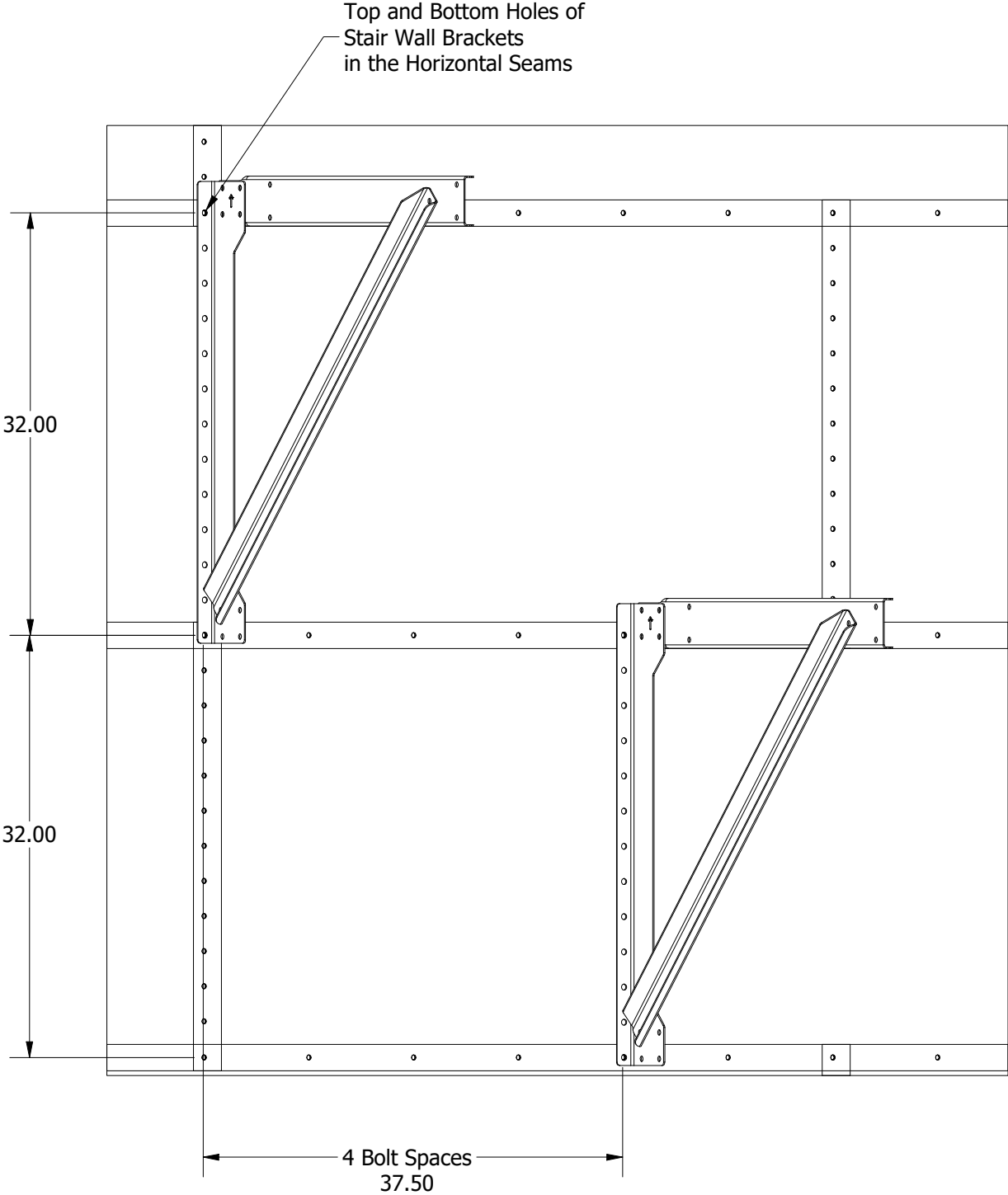


See page 36 for component breakdown



# Stair Wall Bracket Horizontal Bolt Spacing, C-Series Commercial Double Eave 32" Long Platforms

The horizontal spacing between the 4-step stair section wall brackets is 4 bolt spaces (37-1/2"), and is consistent the remainder of the way down the bin, unless using a rest landing.



# Rest Landing Horizontal Bolt Spacing

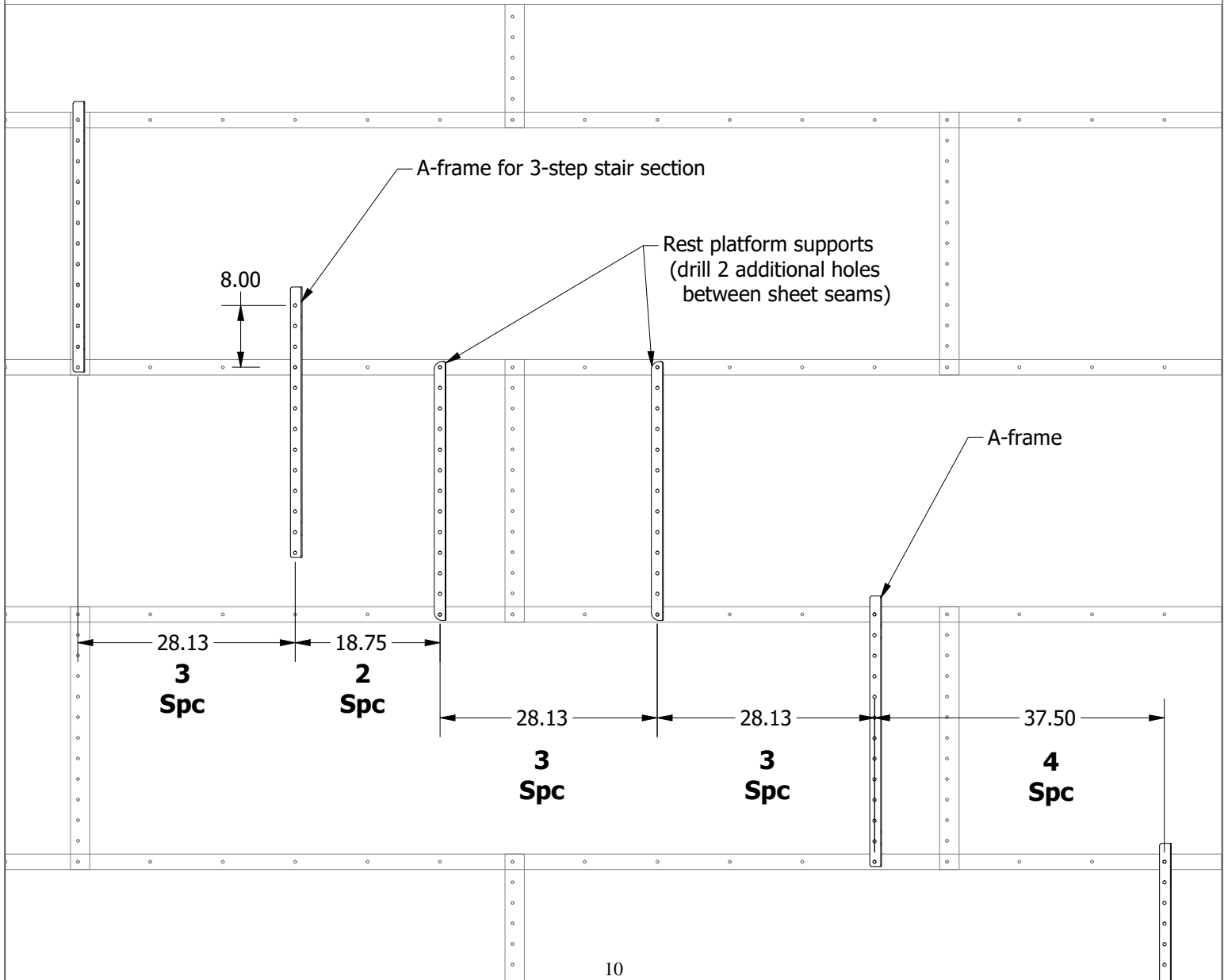
## C-Series 32" Short Platform

The recommended spacing for rest landing supports is illustrated below.

A 3-step stair section is used above the landing platform, supported with an A-frame at 3 bolt spaces over (28-1/8") and 8" above the seam.

The landing platform is supported on two triangular braces, 2 bolt spaces from the A-frame with 3 bolt spaces between the supports.

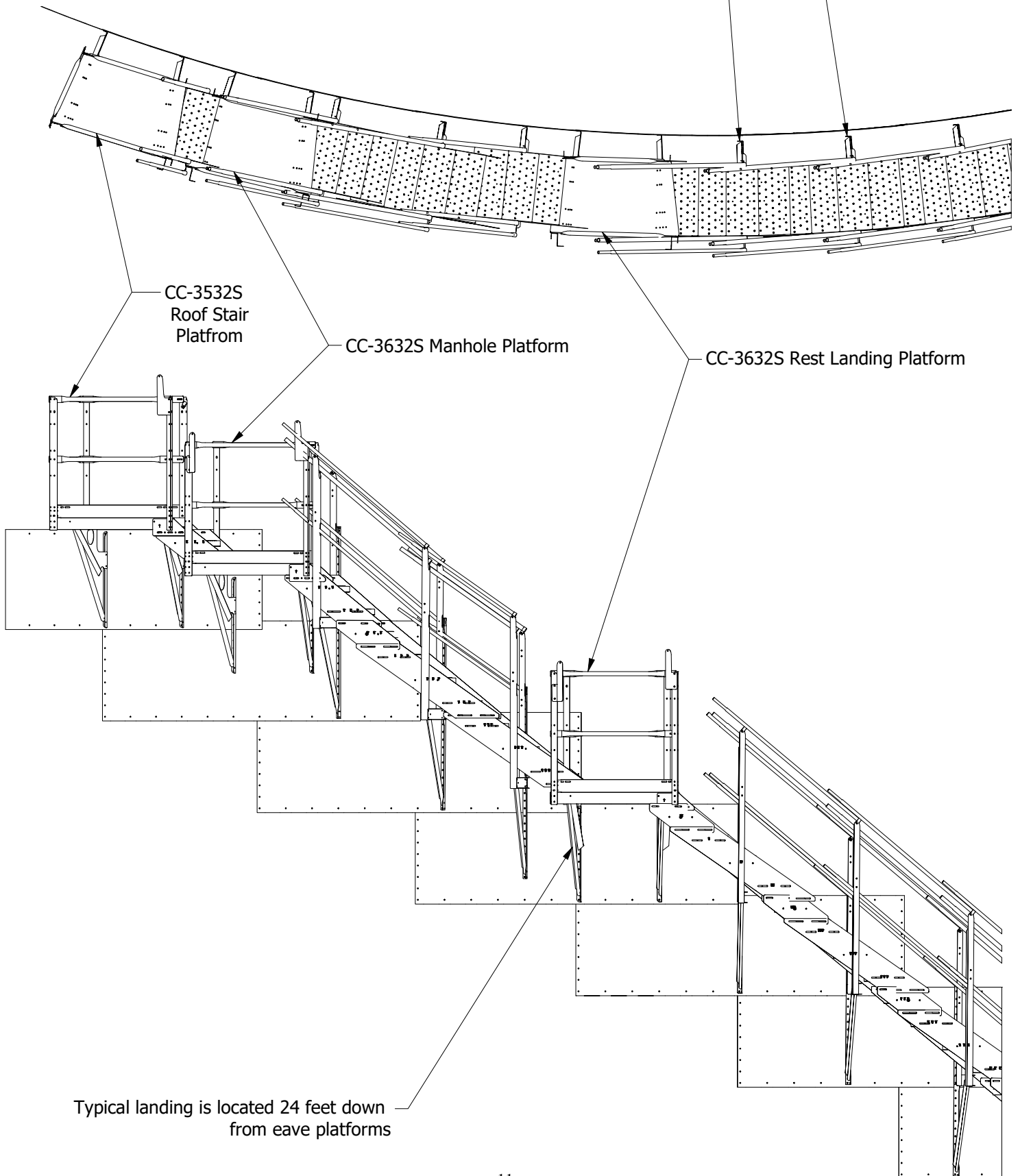
The following A-frame is 3 bolt spaces away, then the layout returns to 4 bolt spaces (37-1/2").



# C-Series Commercial 32" Sidewall Stairs

## Eave Platforms with Landing

Components point towards bin center,  
steps adjusted in slots to fan evenly

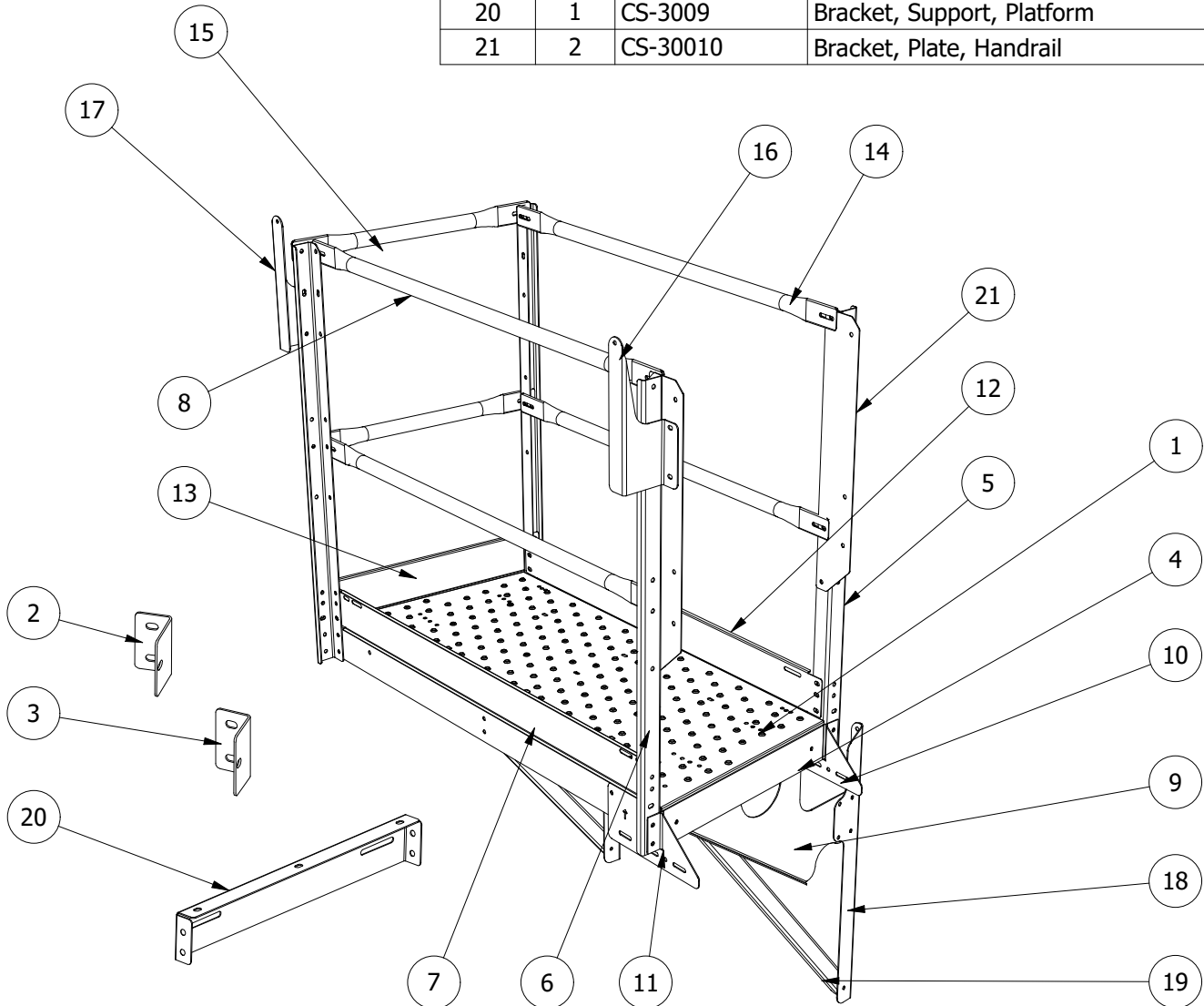


**CC3532L Parts List,  
C-Series Commercial 32"  
Long Stair Platform**

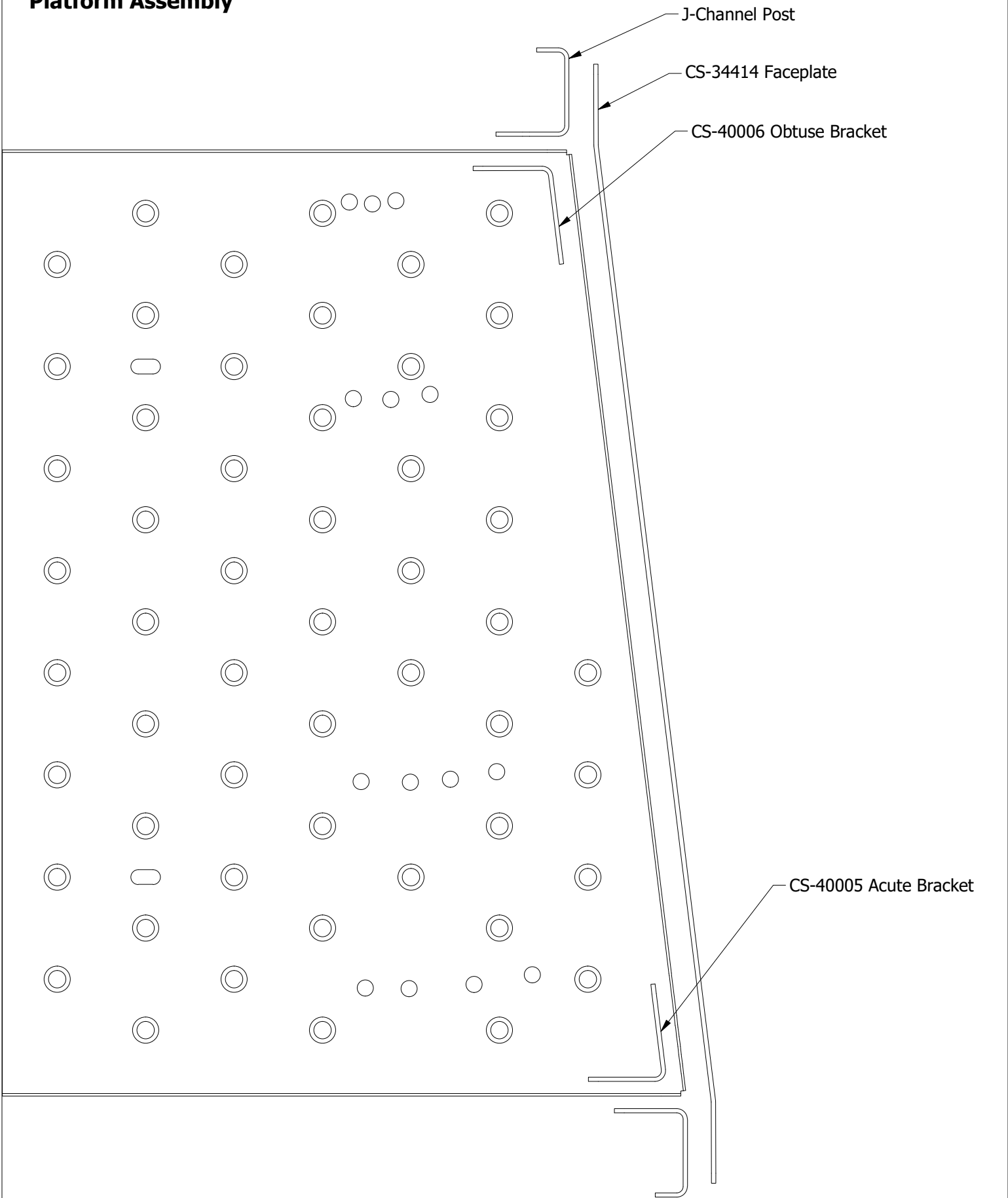
Roof Stair Platform

**PARTS LIST**

ITEM	QTY	PART NUMBER	DESCRIPTION
1	1	CS-F30001	Tread, Platform, Long, Trapezoid 55x24
2	2	CS-40005	Bracket, Brace, Acute
3	2	CS-40006	Bracket, Brace, Obtuse
4	2	CS-34414	Bracket, Faceplate
5	2	CS-34404	Angle, Post, J-channel, Right
6	2	CS-34501	Angle, Post, J-channel, Left
7	1	CS-34406	Channel, Kickboard, Outside Long
8	2	TRS1505400	54" long 1.5 in tube railing slotted end tabs
9	2	CS-34402	Brace, Plate, Platform
10	1	CS-40410	Lower Stringer Extension, Right
11	1	CS-40411	Lower Stringer Extension, Left
12	1	CS-34407	Channel, Kickboard, Inside Long
13	1	CS-34408	Channel, Kickboard, End
14	2	TRS1504800	48 Long 1.5 in tube railing slotted end tabs
15	2	TRS1502800	28 Long 1.5 in tube railing slotted end tabs
16	1	ART-0007	Entry Guardrail Post Right
17	1	ART-0008	Entry Guardrail Post Left
18	2	CS-33201	Bracket, Wall, 32 Platform
19	2	CS-32002	Channel, K-Brace, C-Series
20	1	CS-3009	Bracket, Support, Platform
21	2	CS-30010	Bracket, Plate, Handrail

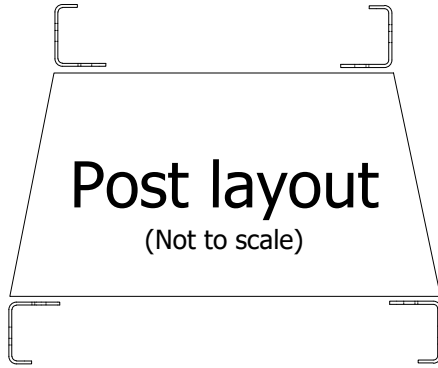


# C-Series Commercial Platform Assembly

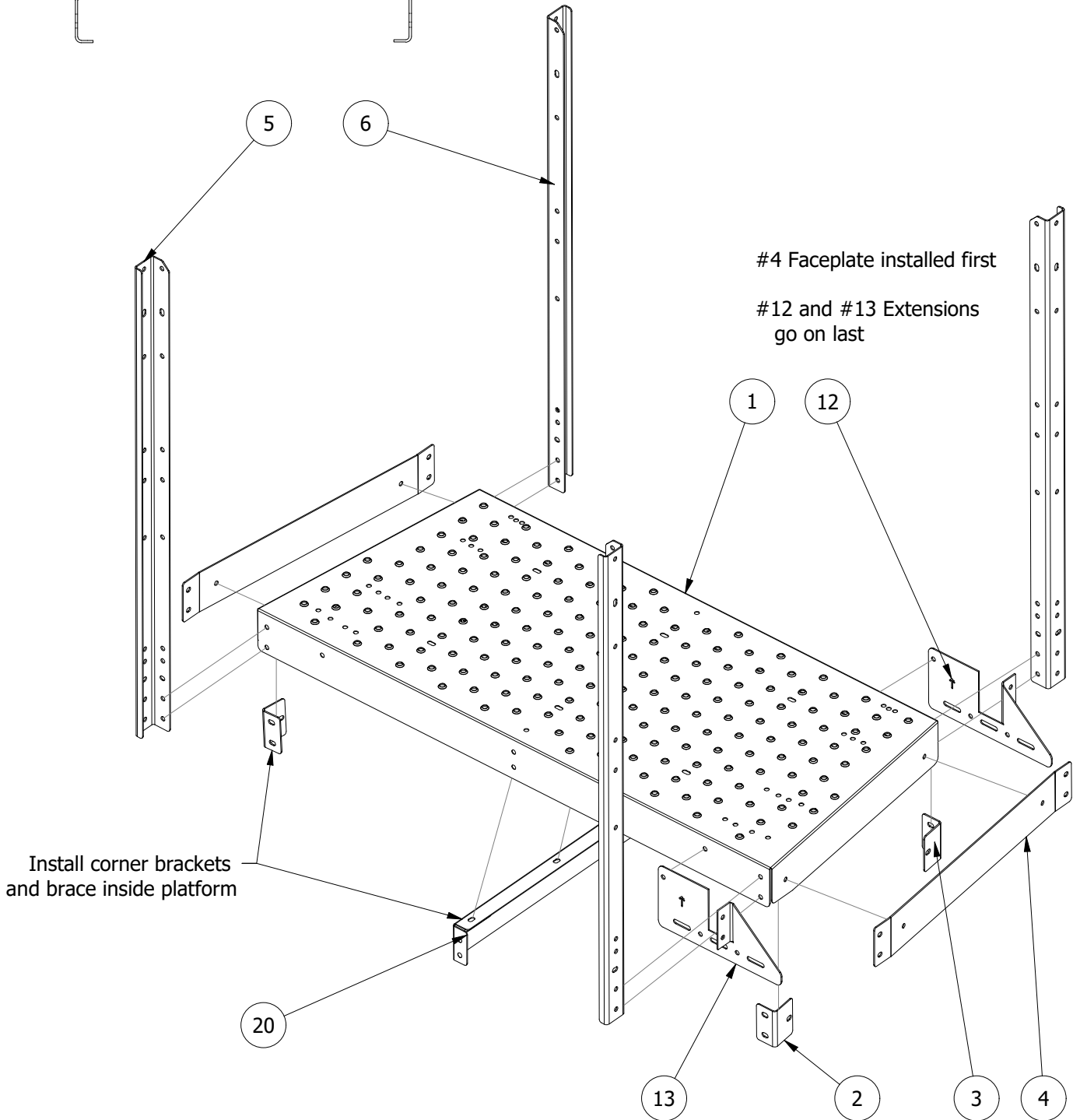


# C-Series Commercial Platform Assembly

## Posts & Brackets

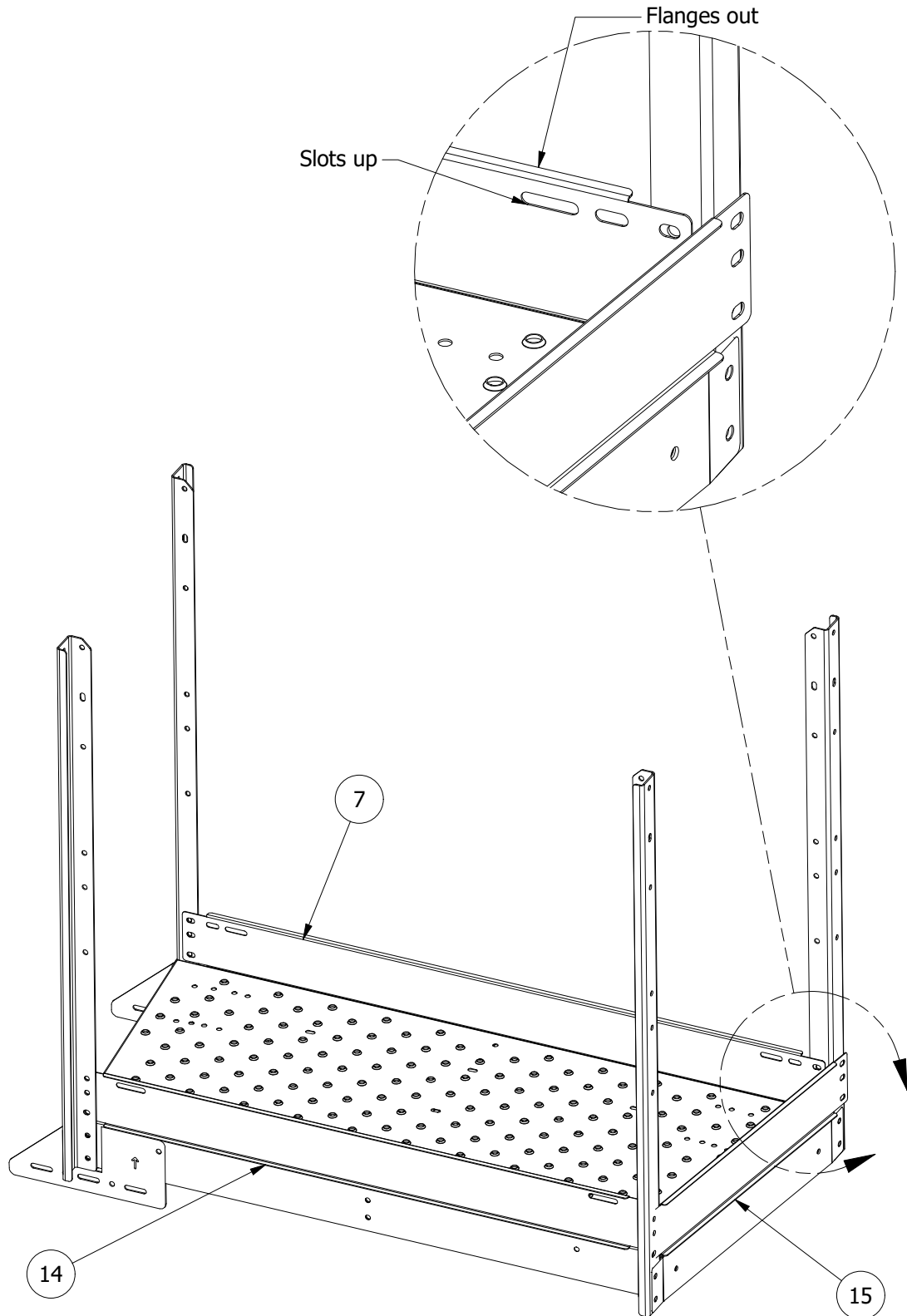


PARTS LIST			
ITEM	QTY	PART NUMBER	DESCRIPTION
1	1	CS-F30001	Tread, Platform, Trapezoid 55x24
2	2	CS-40005	Bracket, Brace, Angle, Acute
3	2	CS-40006	Bracket, Brace, Angle, Obtuse
4	2	CS-34414	Bracket, Faceplate
5	2	CS-34500	Angle, Post, J-channel, Right
6	2	CS-34501	Angle, Post, J-channel, Left
12	1	CS-40410	Lower Stringer Extension, Right
13	1	CS-40411	Lower Stringer Extension, Left
20	1	CS-3009	Bracket, Support, Platform



**C-Series Commercial  
Platform Assembly**  
Kickboards & Handrail Plate

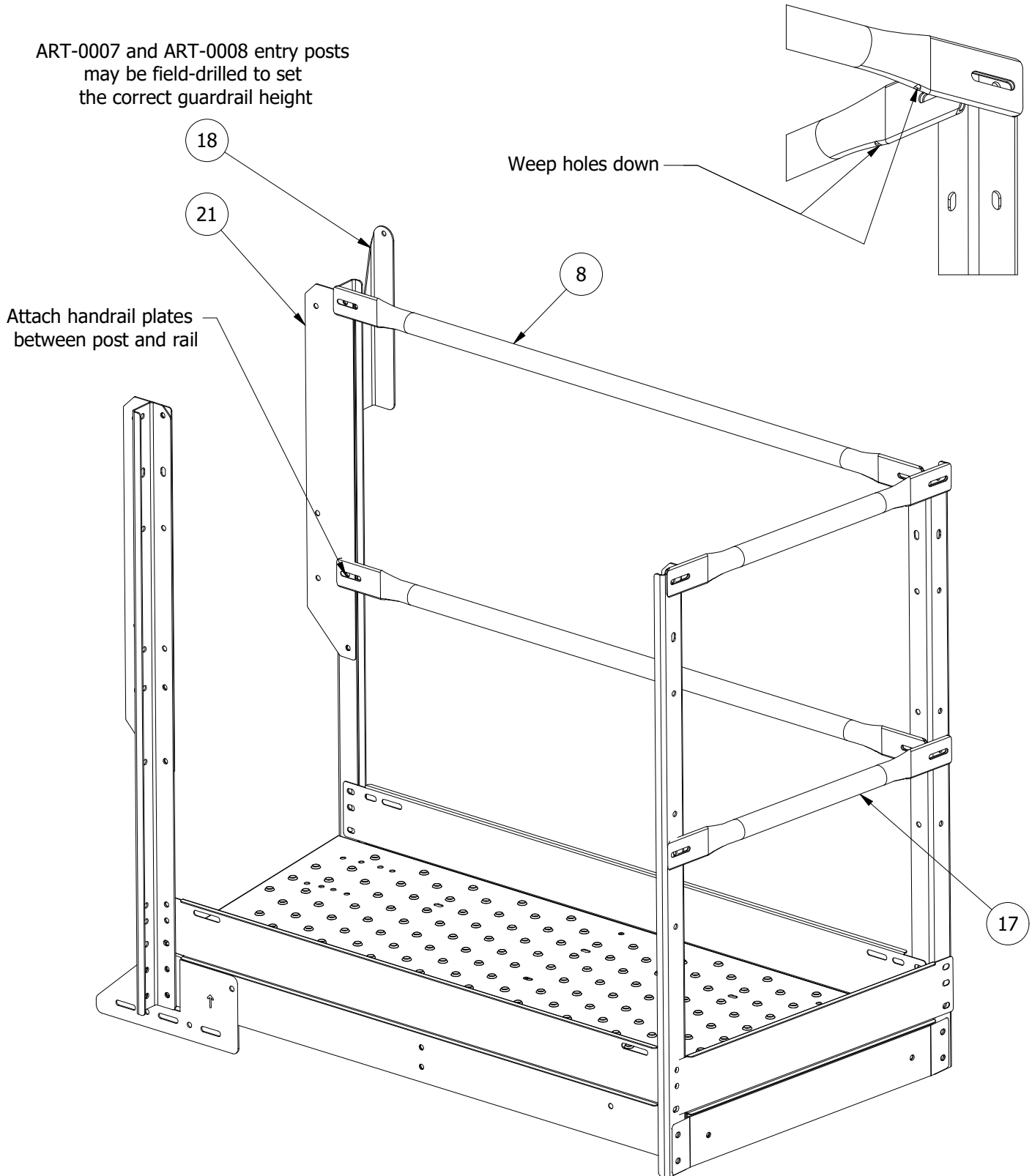
PARTS LIST			
ITEM	QTY	PART NUMBER	DESCRIPTION
7	1	CS-34406	Channel, Kickboard, Outside Long
14	1	CS-34407	Channel, Kickboard, Inside, Long
15	1	CS-34408	Channel, Kickboard, End



**C-Series Commercial  
Platform Assembly  
Railing**

PARTS LIST			
ITEM	QTY	PART NUMBER	DESCRIPTION
8	2	TRS1505400	54" long 1.5 in tube railing slotted end tabs
17	2	TRS1502800	28 Long 1.5 in tube railing slotted end tabs
18	2	ART-0007	Entry Guardrail Post Right
21	2	CS-30010	Bracket, Plate, Handrail

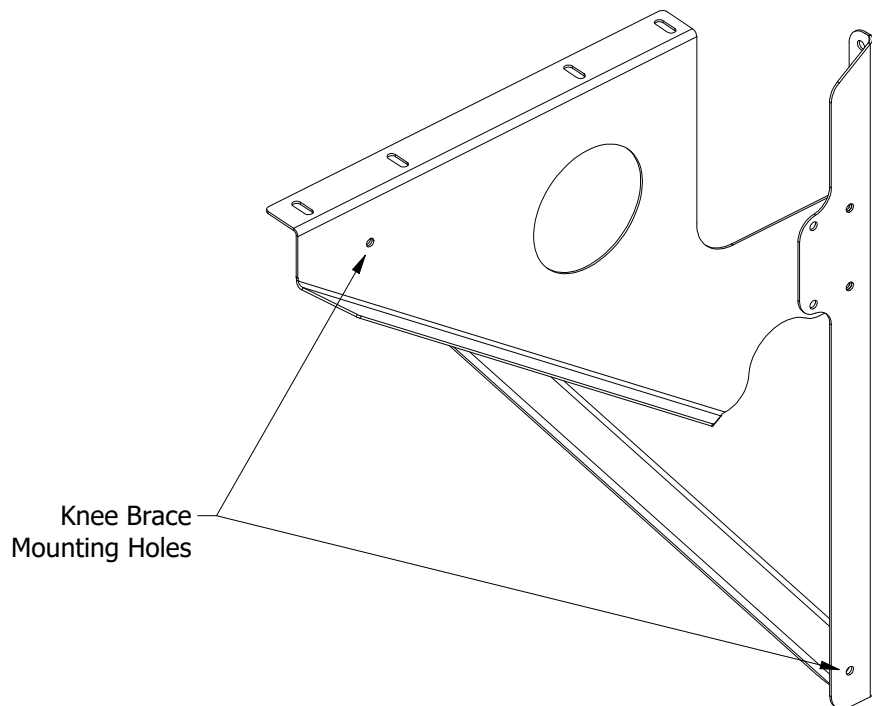
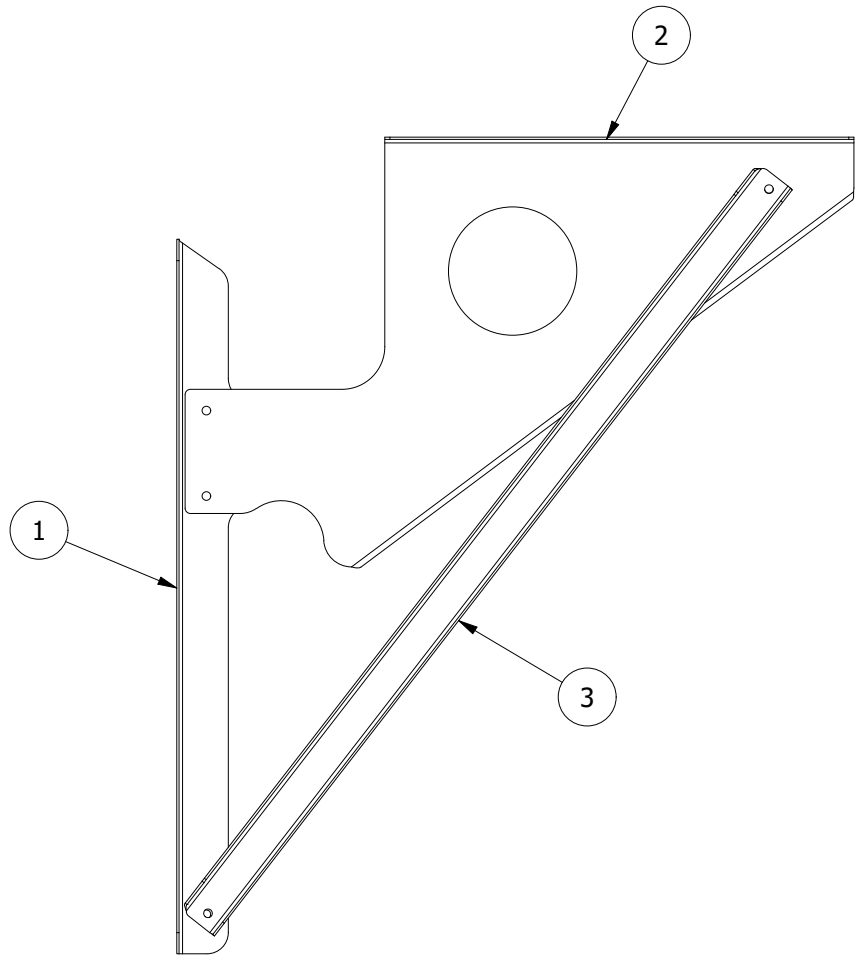
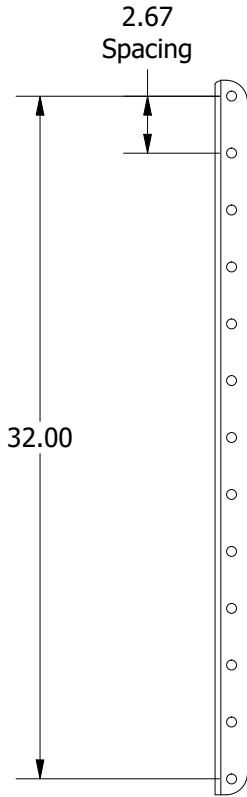
ART-0007 and ART-0008 entry posts may be field-drilled to set the correct guardrail height





# C-Series Wall Bracket 32" Platform Support

PARTS LIST			
ITEM	QTY	PART NUMBER	DESCRIPTION
1	1	CS-33201	Bracket, Wall, 32 Platform
2	1	CS-34402	Brace, Plate, Platform
3	1	CS-32002	Channel, K-Brace, C-Series

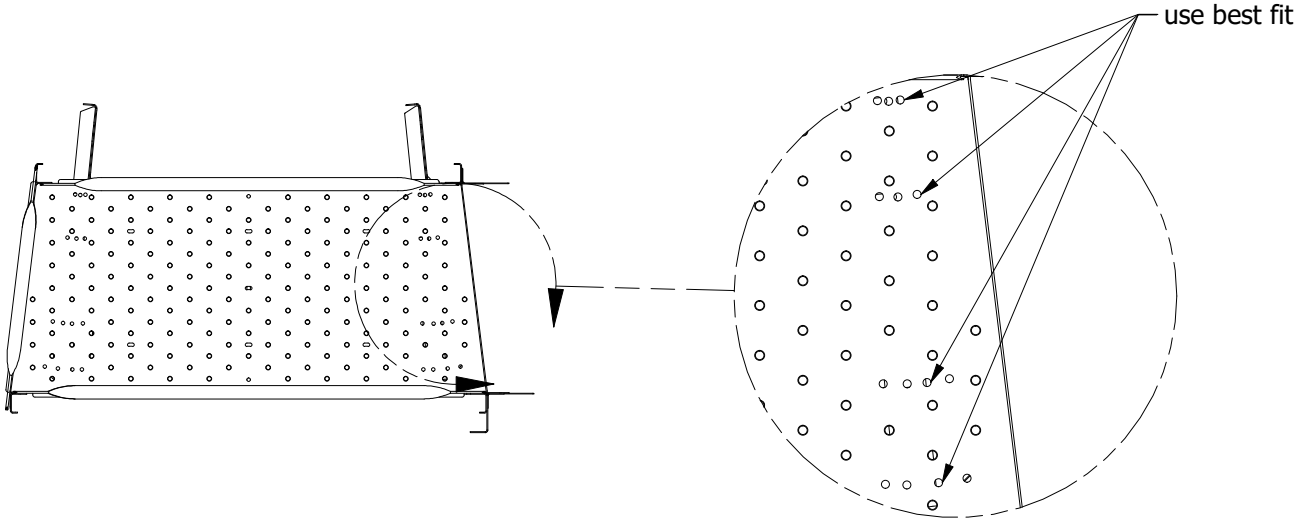


## C-Series Commercial Platform Assembly

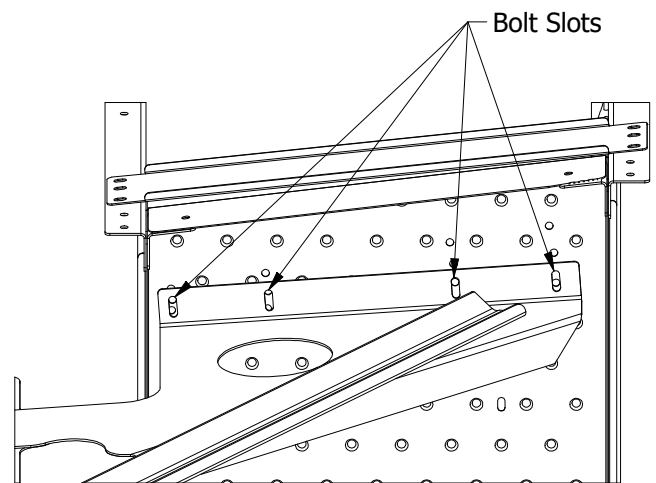
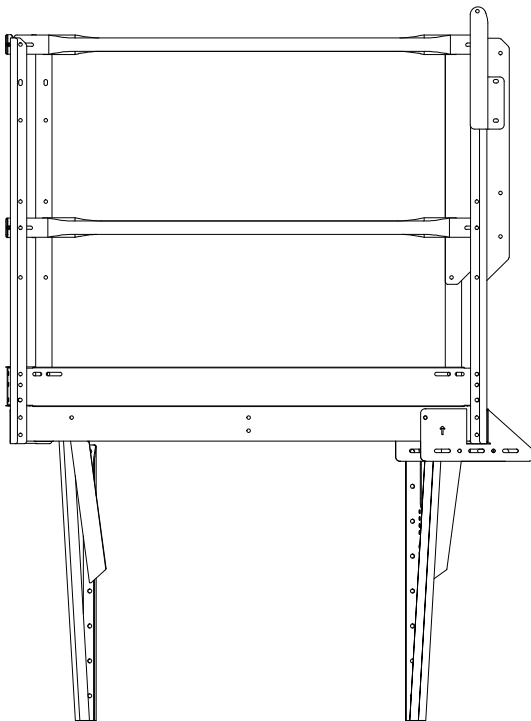
Center the platform assembly on top of the A-frame wall mounts.

Use 4 bolts to attach each wall mount plate to the platform.

Use the bolt holes in the platform that best align with the A-frame mounts, this will vary according to the bin diameter.



**Bolt detail**



**Underside View of  
Platform Attachment**

## C-Series Commercial PPlatforms Midrail, Handrail, and Guardrail

Cut provided pipe sections  
to required length at landings  
and eave platforms

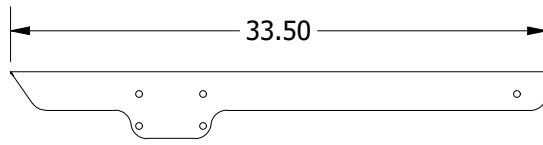
Guardrail mounts to ART-0007 or ART-0008  
Field-drill post at required height

Railing components are mounted  
using CS-30010 Handrail plate  
and P-clamps at required angle

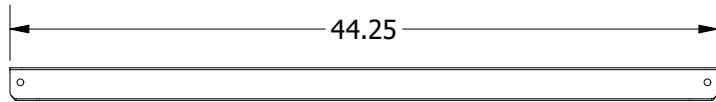


# CC3532L Roof Stair Platform

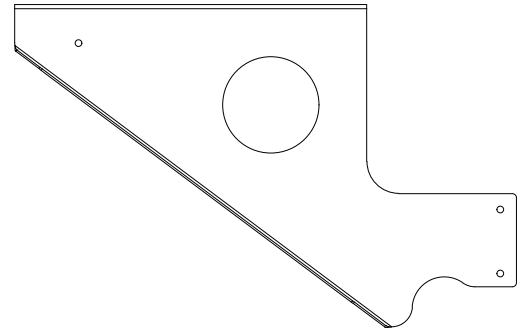
## Parts ID



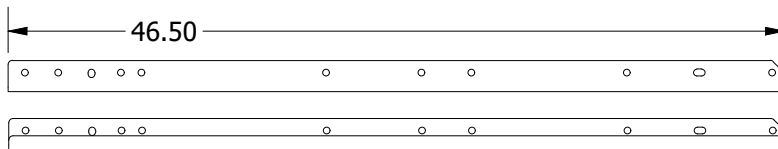
CS-33201



CS-32002

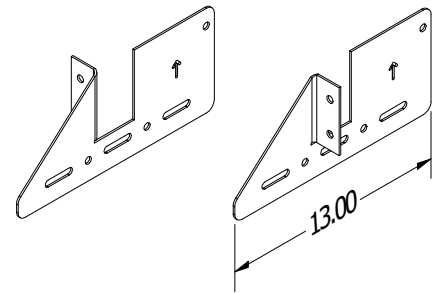


CS-34402



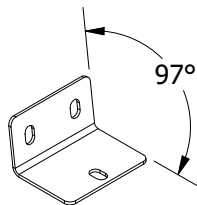
CS-34500 (Right), CS-34501 (Left)

CS-40411, CS-40410

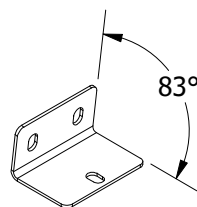


### Note

The CS-40005 and CS-40006 angle brackets must be installed on the inside of the CS-F30001 platform tread.



CS-40006

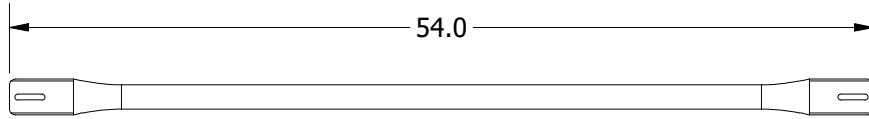


CS-40005

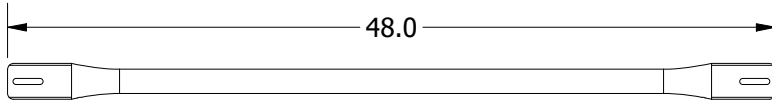


CS-F30001

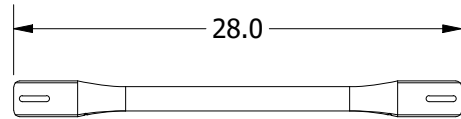
**CC3532L Roof Stair Platform**  
**Parts ID**



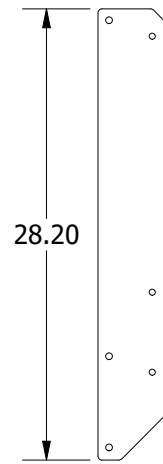
TR1505400



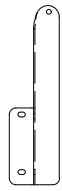
TR1504800



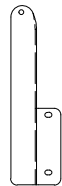
TR1502800



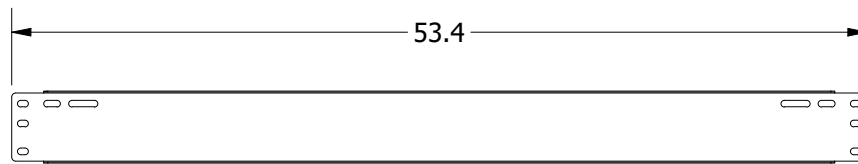
CS-30010



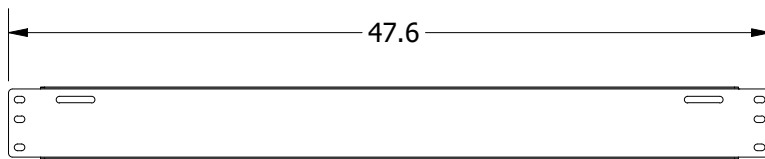
ART-0008



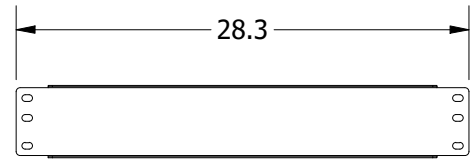
ART-0007



CS-34406

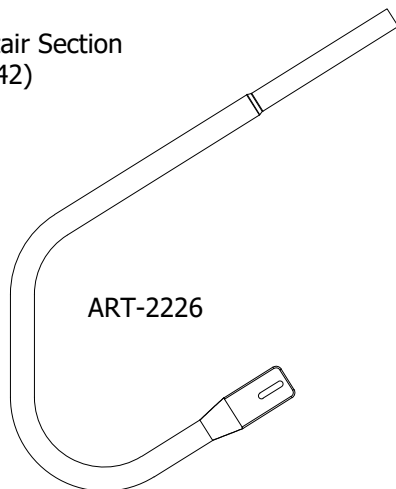


CS-34407

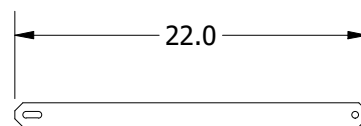


CS-34408

Used on Bottom Stair Section  
 (see page 42)



ART-2226



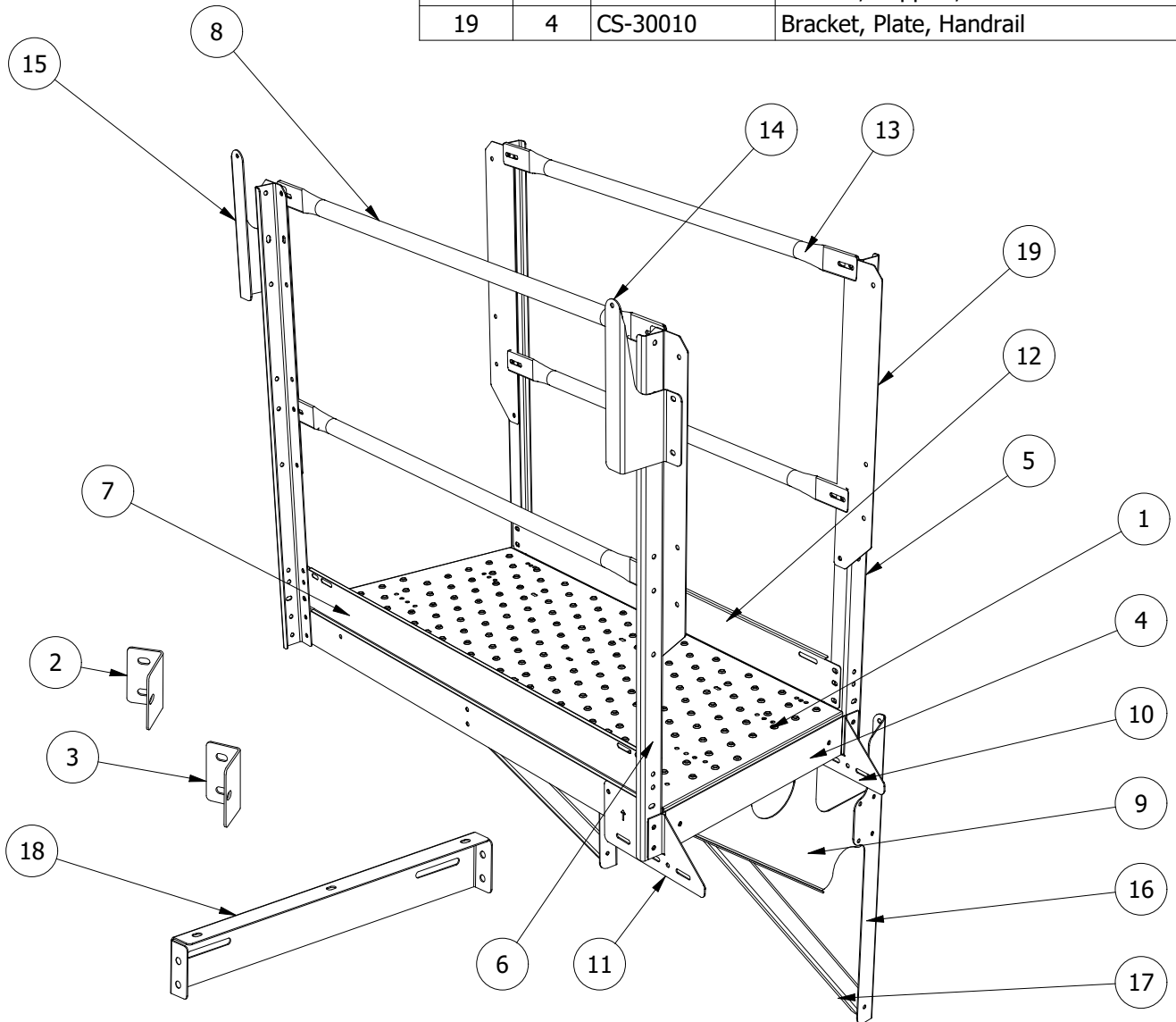
AS-40004

**CC3632L Parts List,  
C-Series Commercial 32"  
Long Stair Platform**

**Manhole Platform**

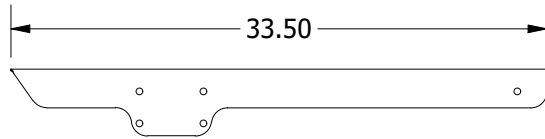
Refer to page 14 and repeat instruction process with these components

PARTS LIST			
ITEM	QTY	PART NUMBER	DESCRIPTION
1	1	CS-F30001	Tread, Platform, Long, Trapezoid 55x24
2	2	CS-40005	Bracket, Brace, Acute
3	2	CS-40006	Bracket, Brace, Obtuse
4	2	CS-34414	Bracket, Faceplate
5	2	CS-34404	Angle, Post, J-channel, Right
6	2	CS-34501	Angle, Post, J-channel, Left
7	1	CS-34406	Channel, Kickboard, Outside Long
8	2	TRS1505400	54" long 1.5 in tube railing slotted end tabs
9	2	CS-34402	Brace, Plate, Platform
10	1	CS-40410	Lower Stringer Extension, Right
11	1	CS-40411	Lower Stringer Extension, Left
12	1	CS-34407	Channel, Kickboard, Inside Long
13	2	TRS1504800	48 Long 1.5 in tube railing slotted end tabs
14	1	ART-0007	Entry Guardrail Post Right
15	1	ART-0008	Entry Guardrail Post Left
16	2	CS-33201	Bracket, Wall, 32 Platform
17	2	CS-32002	Channel, K-Brace, C-Series
18	1	CS-3009	Bracket, Support, Platform
19	4	CS-30010	Bracket, Plate, Handrail

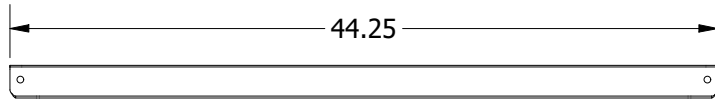


# CC3632L Manhole Platform

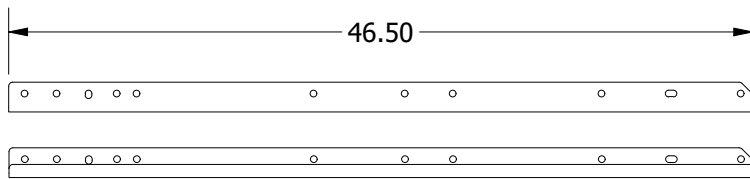
## Parts ID



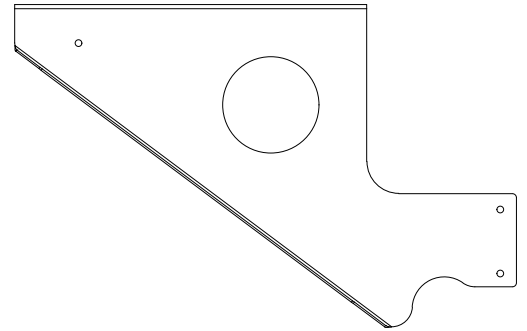
CC-32201



CC-32002

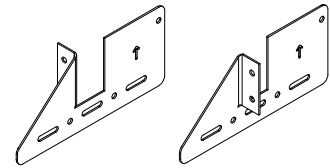


CS-34500 (Right), CS-34501 (Left)



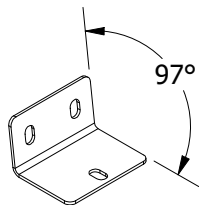
CS-34402

CS-40411, CS-40410

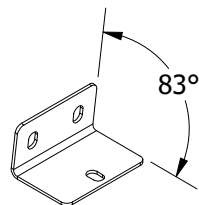


### Note

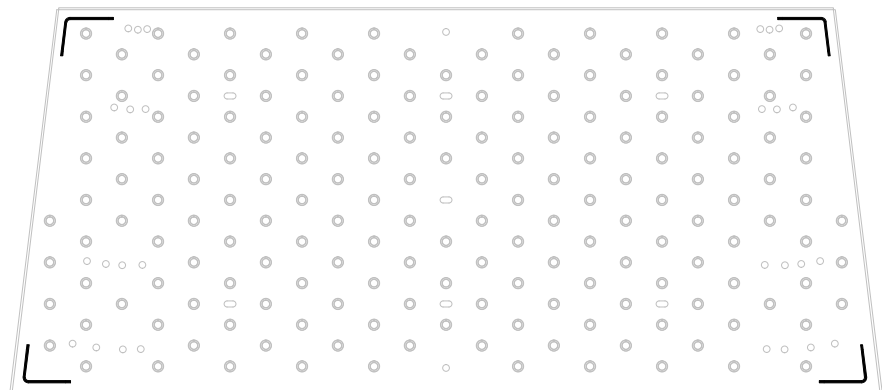
The CS-40005 and CS-40006 angle brackets must be installed on the inside of the CS-F30001 platform tread.



CS-40006



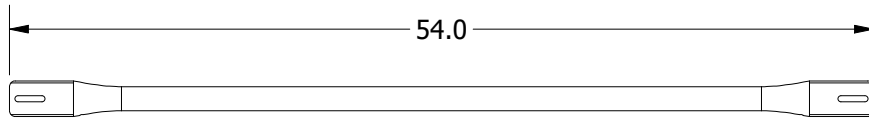
CS-40005



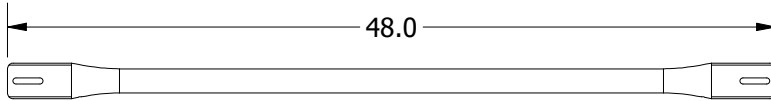
CS-F30001

# CC3632L Manhole Platform

## Parts ID



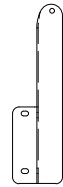
TR1505400



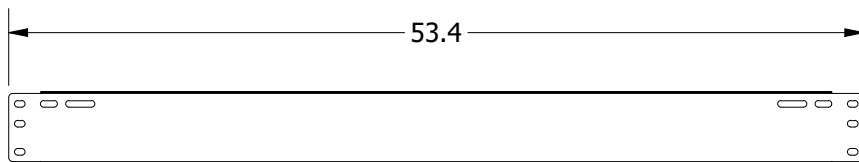
TR1504800



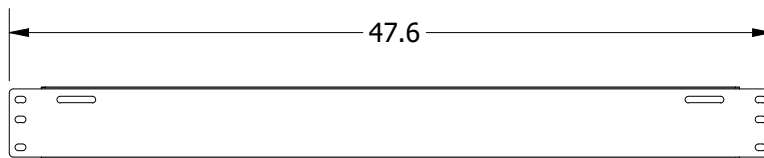
ART-0007



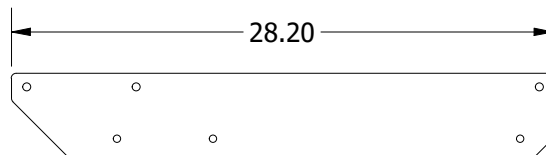
ART-0008



CS-34406



CS-34407



CS-30010

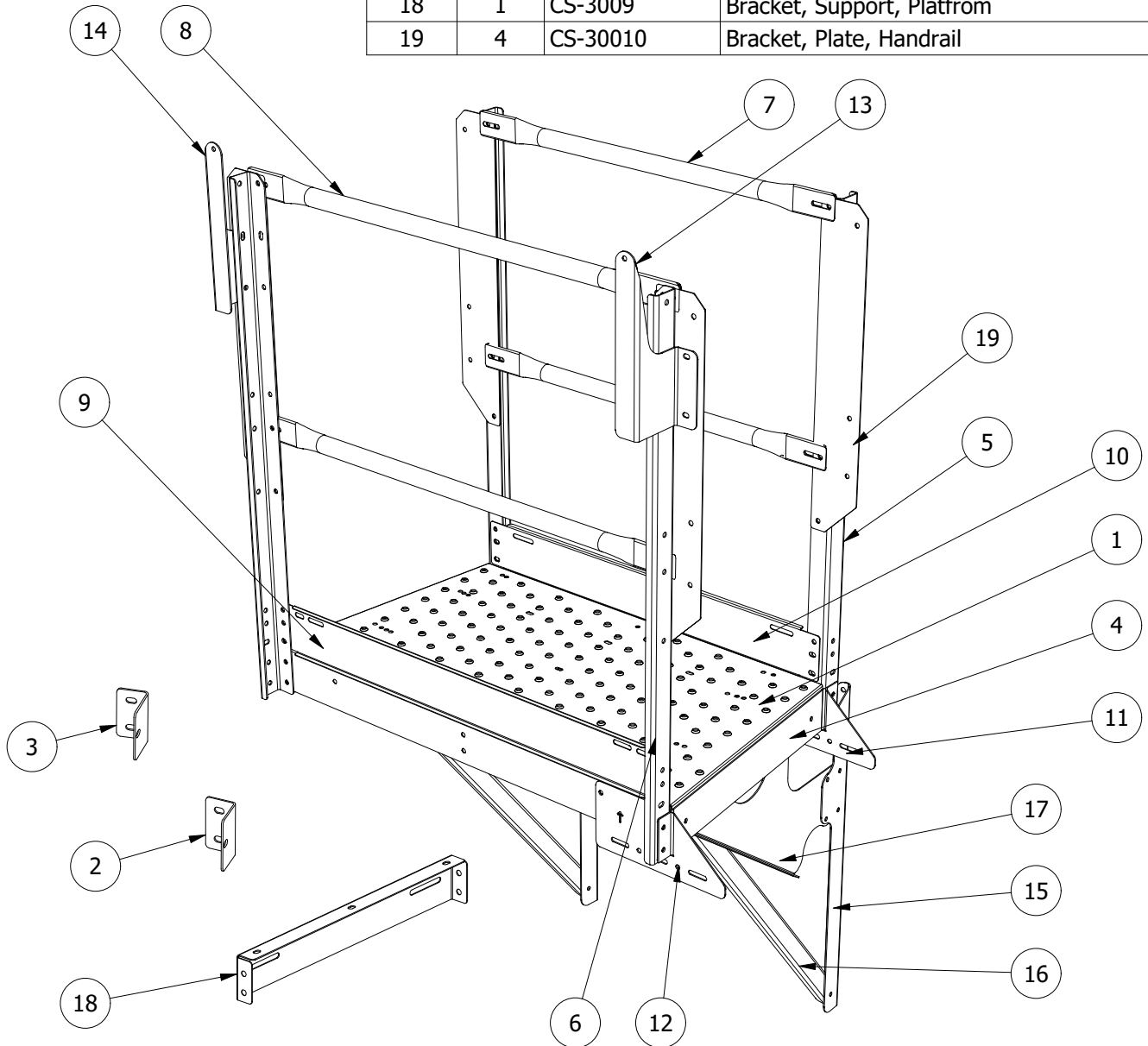


**CC3632S Parts List,  
C-Series Commercial 32"  
Short Stair Platform**

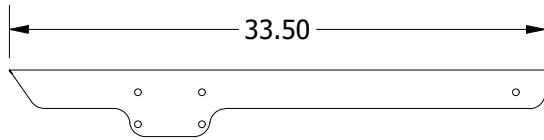
Rest Landing

Refer to page 14 and repeat instruction process with these components

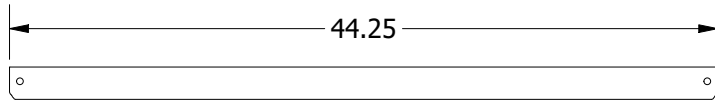
PARTS LIST			
ITEM	QTY	PART NUMBER	DESCRIPTION
1	1	CS-F30002	Tread, platform, Short, Trapezoid 44x24
2	2	CS-40006	Bracket, Brace, Obtuse
3	2	CS-40005	Bracket, Brace, Acute
4	2	CS-34414	Bracket, Faceplate
5	2	CS-34500	Angle, Post, J-channel, Right
6	2	CS-34501	Angle, Post, J-channel, Left
7	2	TRS1503700	37 Long 1.5 in tube railing slotted end tabs
8	2	TRS1504400	44 Long 1.5 in tube railing slotted end tabs
9	1	CS-34410	Channel, Kickboard, Outside, Short
10	1	CS-34409	Channel, Kickboard, Inside, Short
11	1	CS-40410	Lower Stringer Extension, Right 44
12	1	CS-40411	Lower Stringer Extension, Left 44
13	1	ART-0007	Entry Guardrail Post Right
14	1	ART-0008	Entry Guardrail Post Left
15	2	CS-33201	Bracket, Wall, 32 Platform
16	2	CS-32002	Channel, K-Brace, C-Series
17	2	CS-34402	Brace, Plate, Platform
18	1	CS-3009	Bracket, Support, Platform
19	4	CS-30010	Bracket, Plate, Handrail



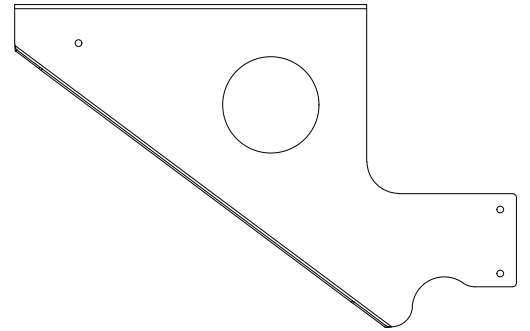
**CC3632S Rest Landing**  
**Parts ID**



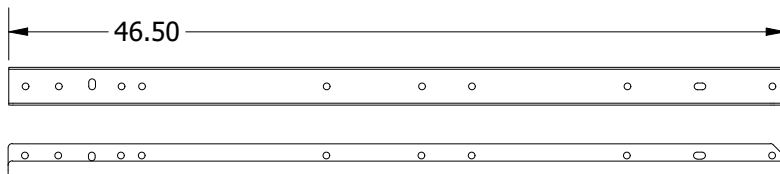
CC-32201



CC-32002

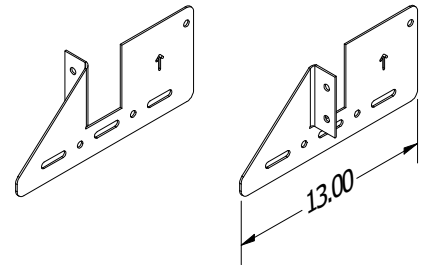


CS-34402



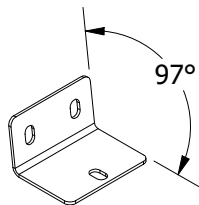
CS-34500 (Right), CS-34501 (Left)

CS-40411, CS-40410

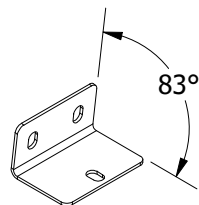


**Note**

**The CS-40005 and CS-40006 angle brackets must be installed on the inside of the CS-F30002 platform tread.**



CS-40006

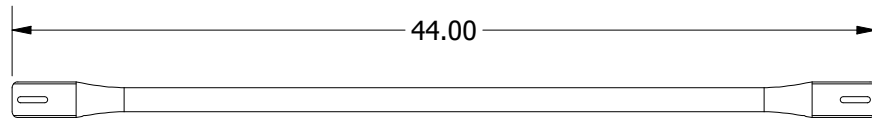


CS-40005

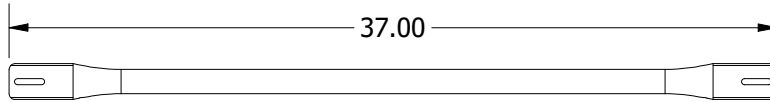


CS-F30002

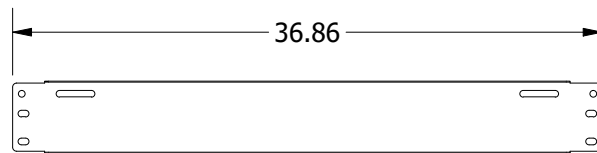
**CC3644S Rest Landing**  
**Parts ID**



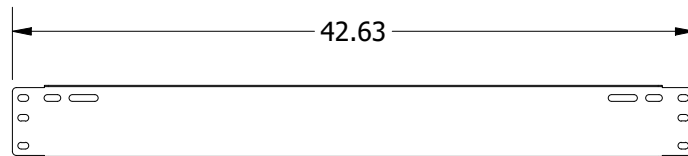
TR1504400



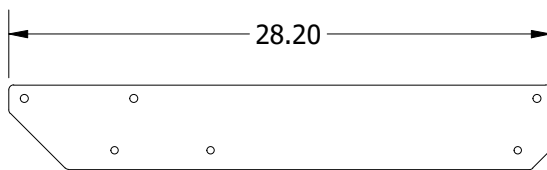
TR1503700



CS-34409



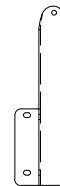
CS-34410



CS-30010



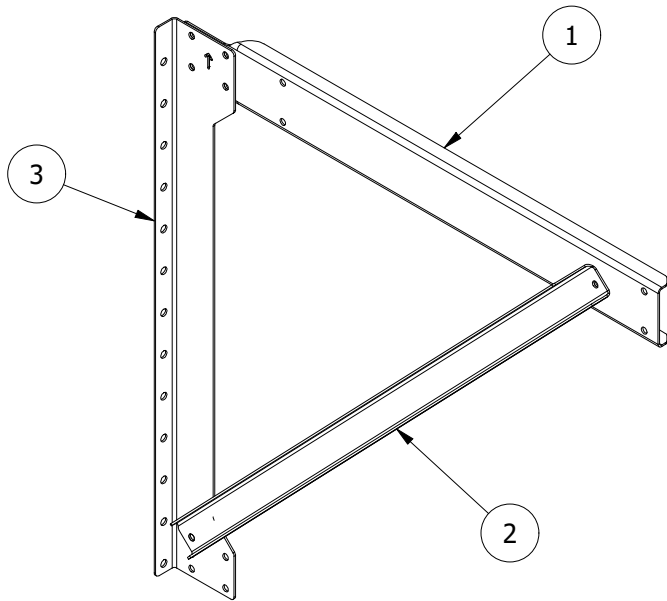
ART-0007



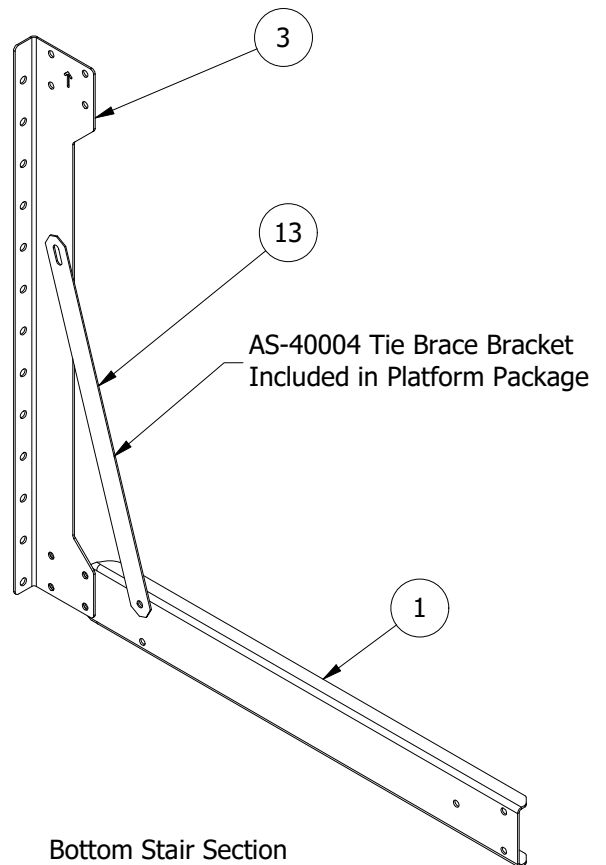
ART-0008

# A-Frame Layouts

PARTS LIST			
ITEM	QTY	PART NUMBER	DESCRIPTION
1	1	CS-40002	Channel, Crossbar
2	1	CS-32002	Channel, K-Brace, C-Series
3	2	CS-32001	Bracket, Wall, 32" ring
13	1	AS-40004	Bracket, Tie Brace



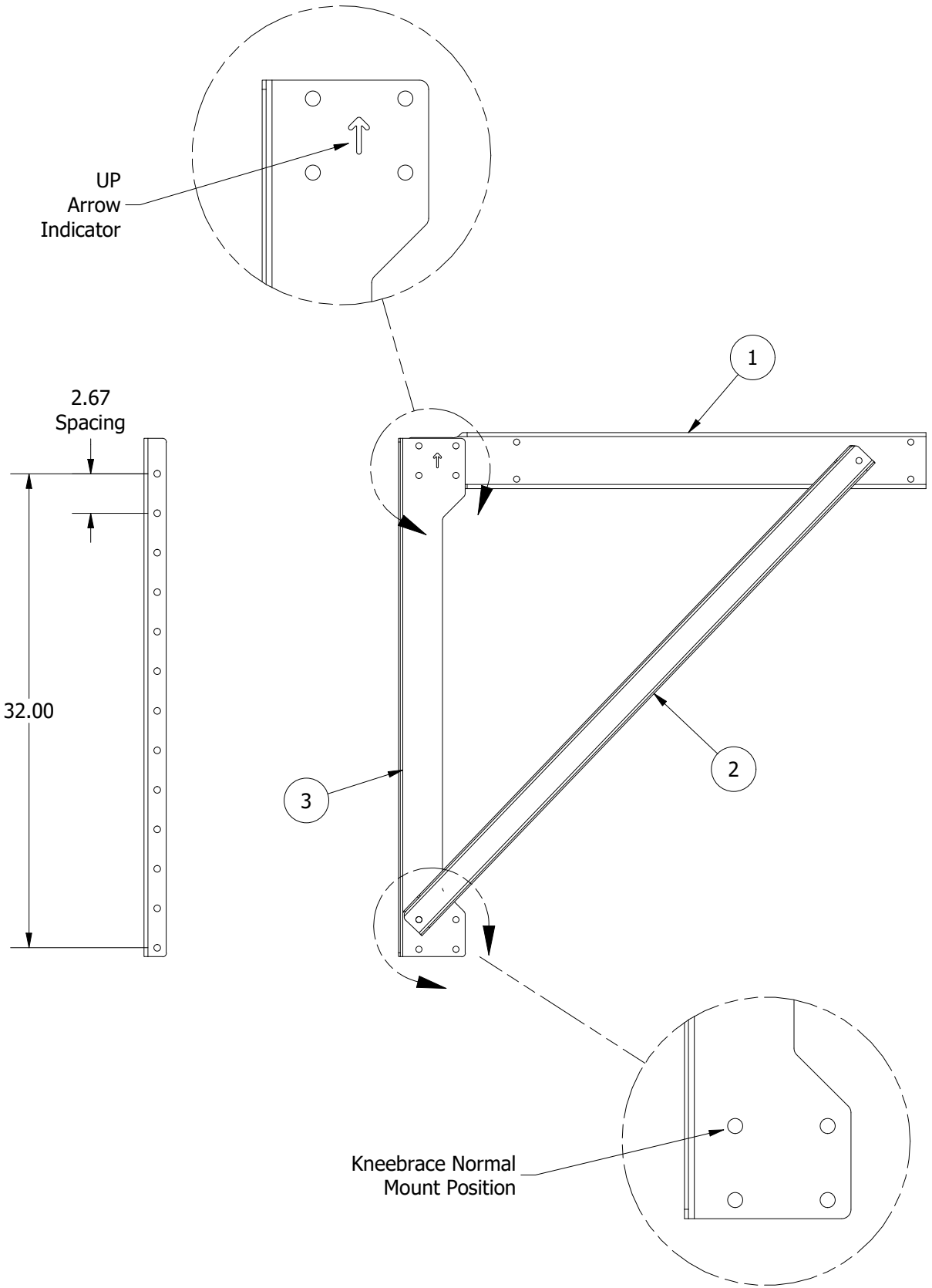
Stair Run Section



Bottom Stair Section  
(see page 41)

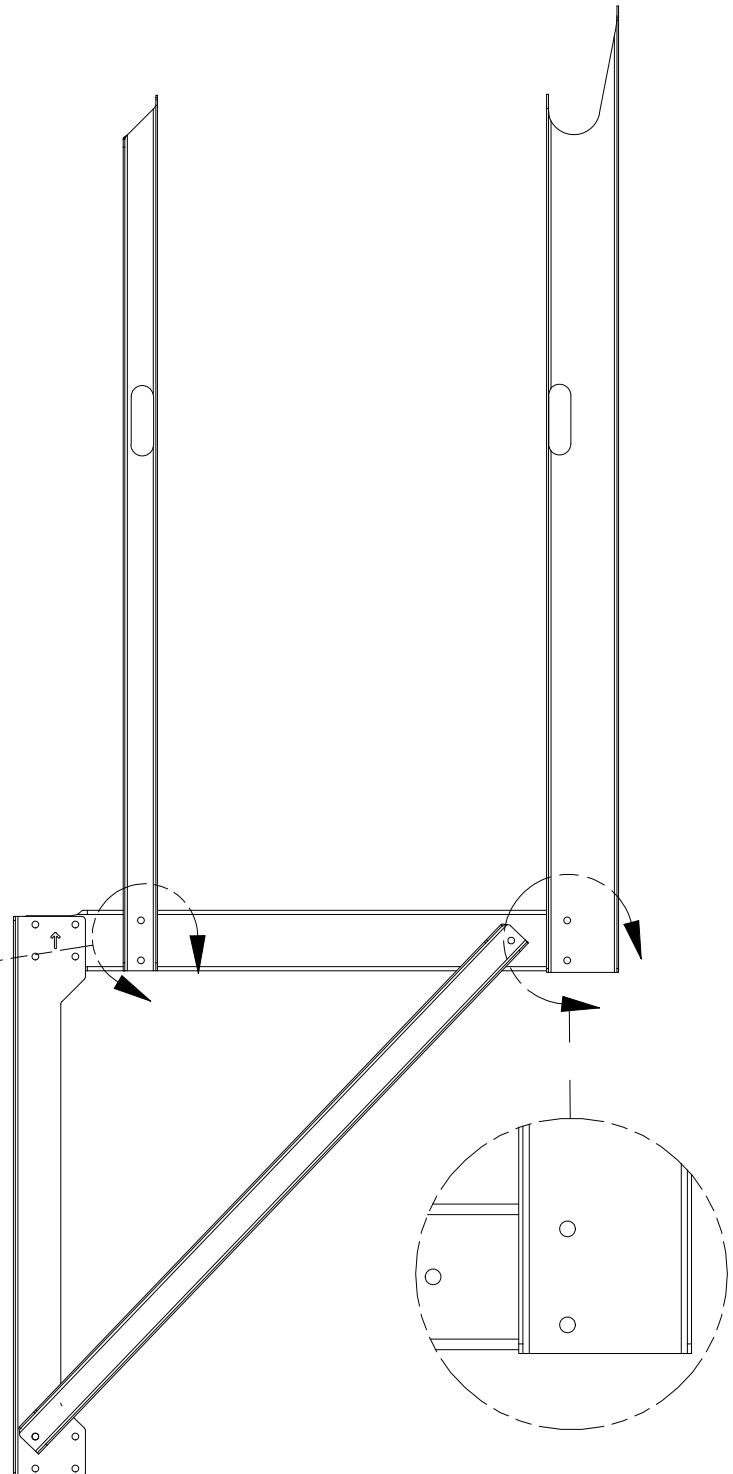
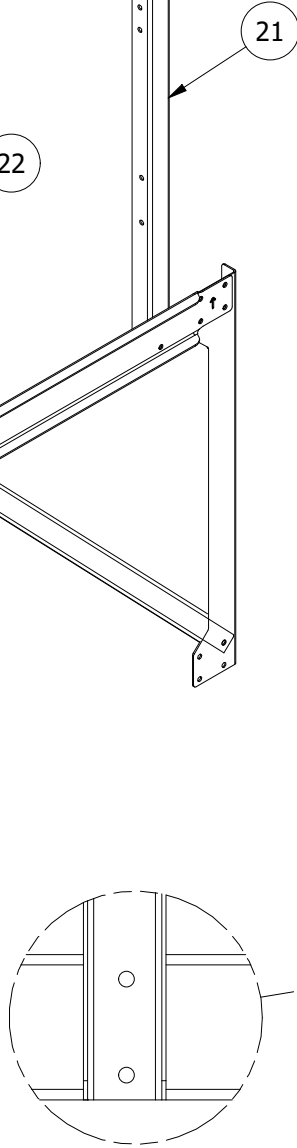
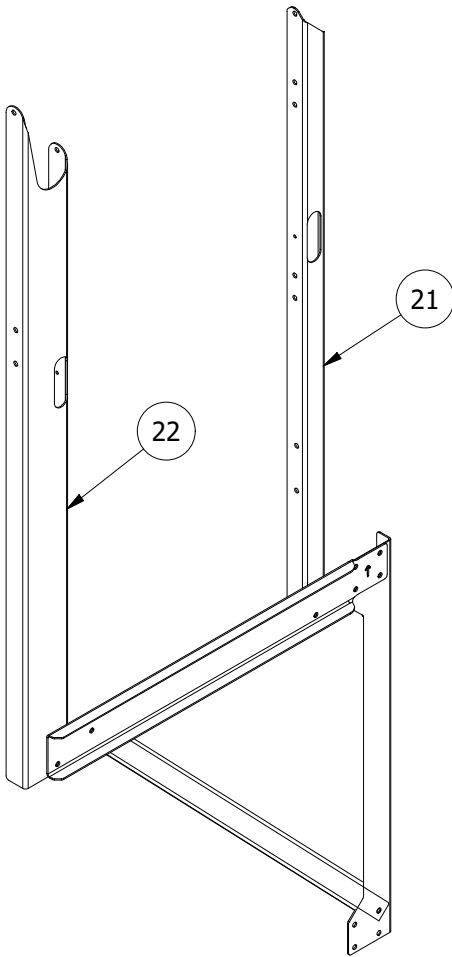
# A-Frame Stair Run

PARTS LIST			
ITEM	QTY	PART NUMBER	DESCRIPTION
1	1	CS-40002	Channel, Crossbar
2	1	CS-32002	Channel, K-Brace, C-Series
3	2	CS-32001	Bracket, Wall, 32" ring



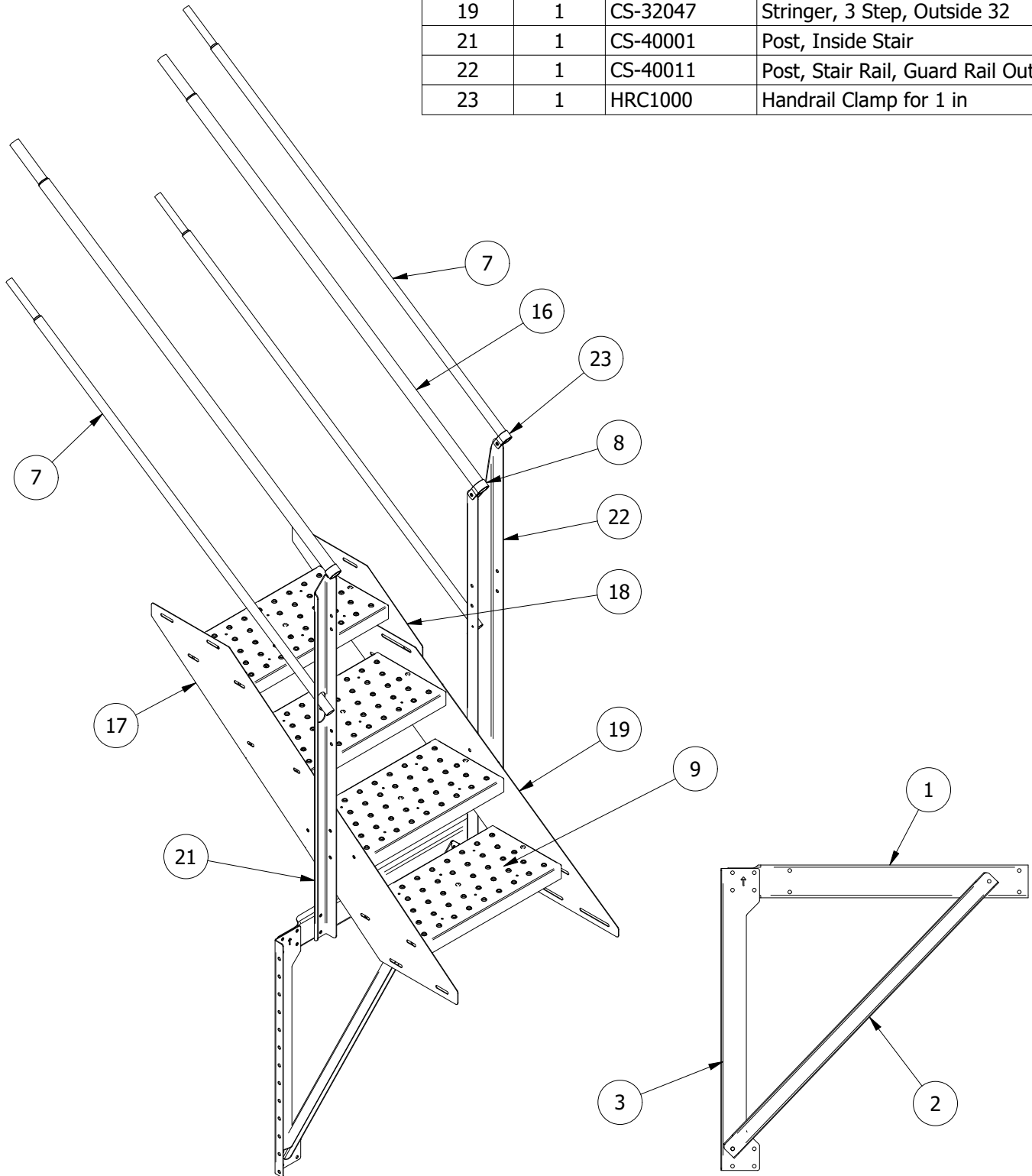
# Attaching the Posts to the A-Frame

PARTS LIST			
ITEM	QTY	PART NUMBER	DESCRIPTION
21	1	CS-40001	Post, Inside Stair
22	1	CS-40011	Post, Stair Rail, Guard Rail Outside



**Parts List, CC3200  
C-Series 32"  
4 Step Stair Section**

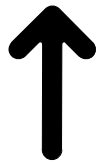
PARTS LIST			
ITEM	QTY	PART NUMBER	DESCRIPTION
1	1	CS-40002	Channel, Crossbar
2	1	CS-32002	Channel, K-Brace, C-Series
3	2	CS-32001	Bracket, Wall, 32" ring
7	3	TR1006706	67 in 1 in dia tubing 6in swage
8	2	HRC1500	Handrail Clamp for 1.5 in
9	4	CS41224	Tread Step 24 x 12 Assembly
16	2	TR1506706	67 in x1.5 in Railing 6 in Swage
17	1	CS-32044	Stringer, 4 Step, Insided 32
19	1	CS-32047	Stringer, 3 Step, Outside 32
21	1	CS-40001	Post, Inside Stair
22	1	CS-40011	Post, Stair Rail, Guard Rail Outside
23	1	HRC1000	Handrail Clamp for 1 in



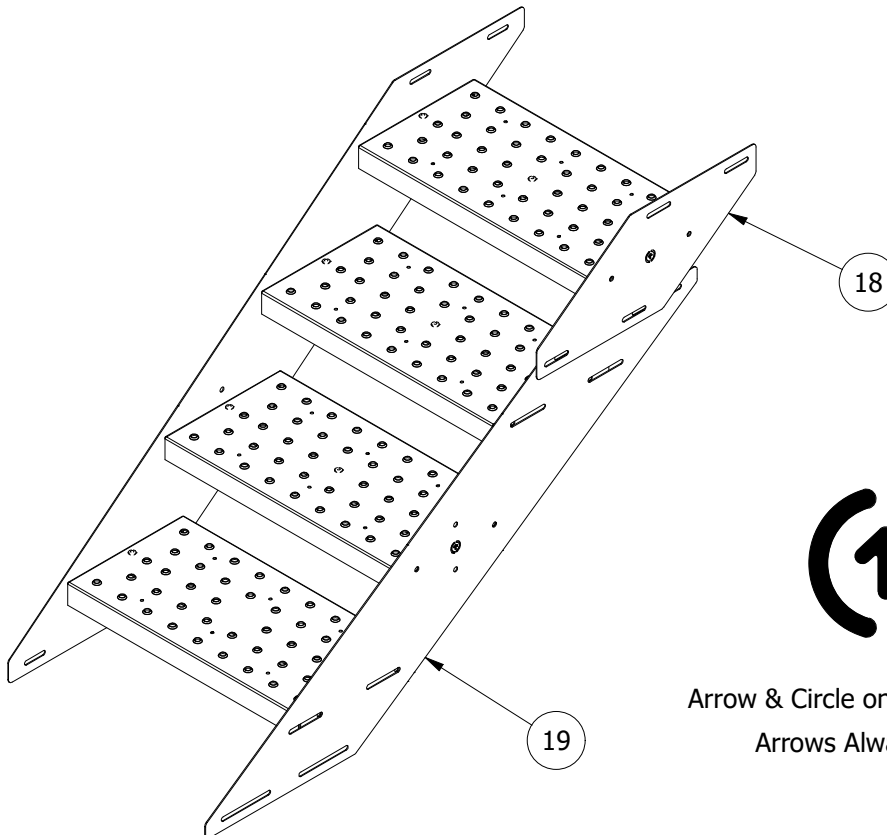
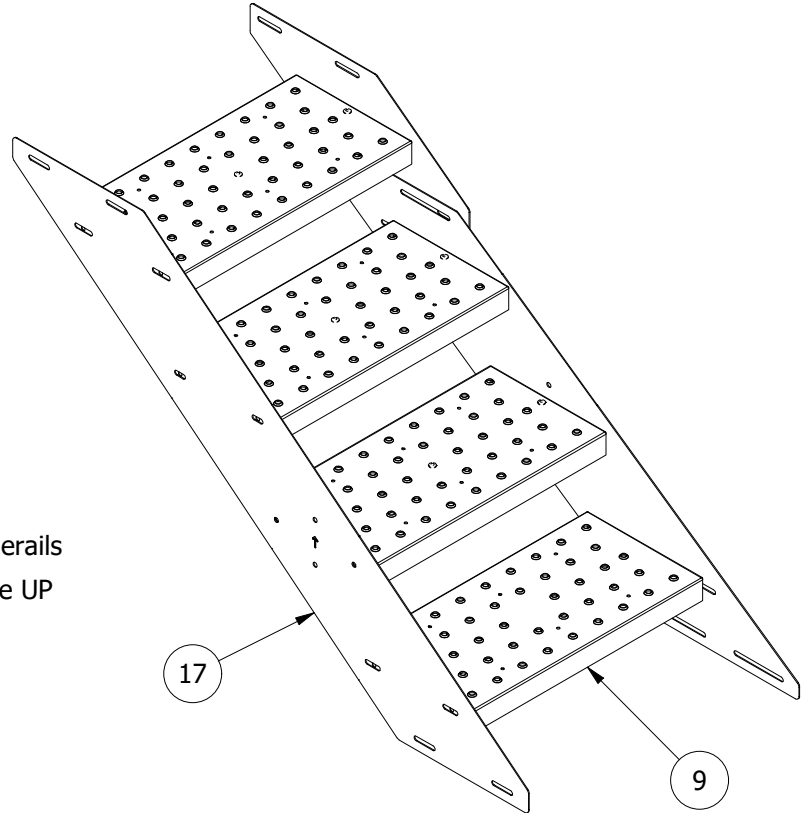
# CC3200 C-Series 32" 4 Step Stair Section

PARTS LIST, CC3200			
ITEM	QTY	PART NUMBER	DESCRIPTION
9	4	CS41224	Tread Step 24 x 12 Assembly
18	1	CS-32045	Stringer, 1 Step, Outside 32
19	1	CS-32047	Stringer, 3 Step, Outside 32
17	1	CS-32044	Stringer, 4 Step, Insided 32

On the CC3200 stair section,  
the inside siderail is a one piece 4-step,  
the outside siderail is a two piece; 3-step and 1-step.



Arrow on Inside Siderails  
Arrows Always Face UP

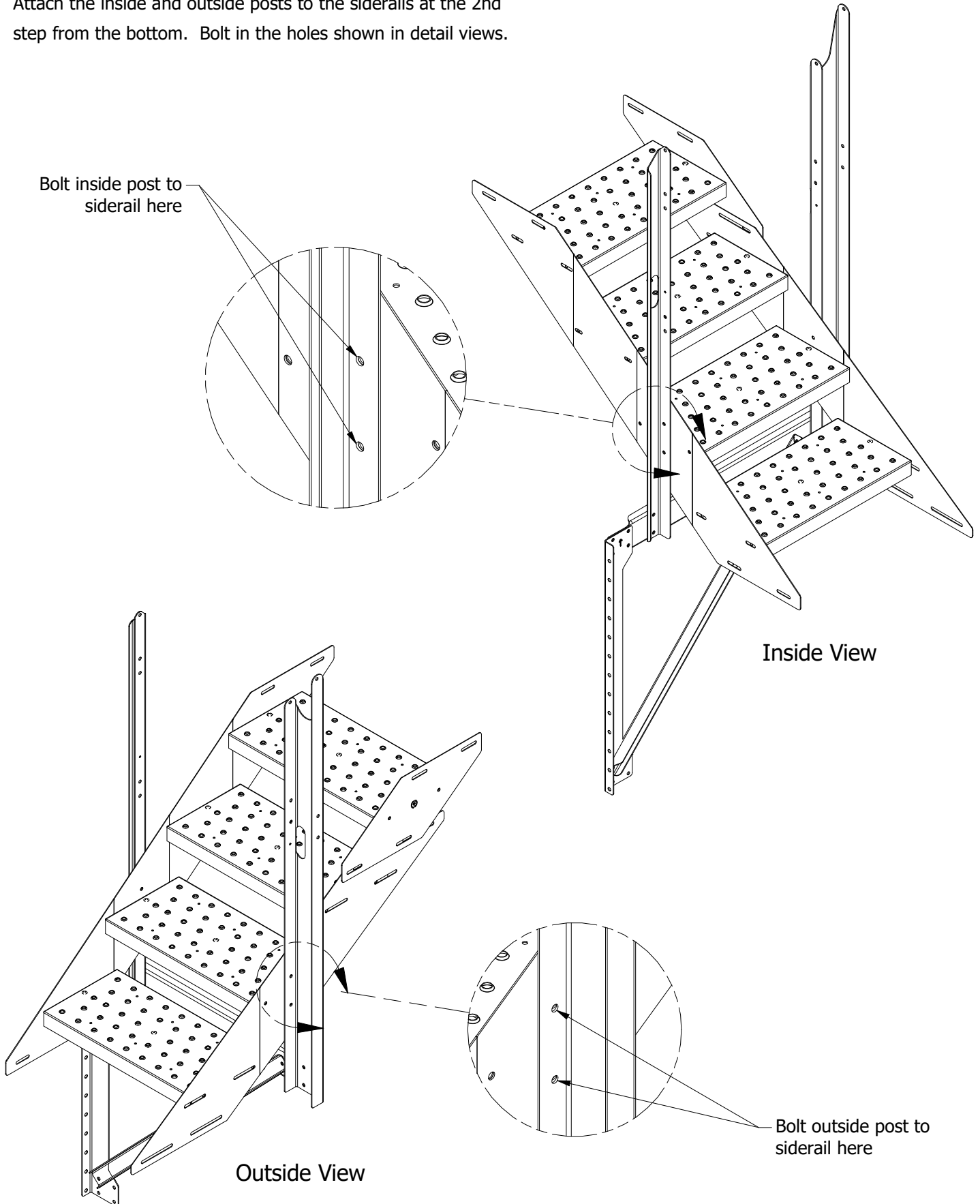


Arrow & Circle on Outside Siderails  
Arrows Always Face UP



## Attaching the Stair Section to the 32" A-Frame Assembly

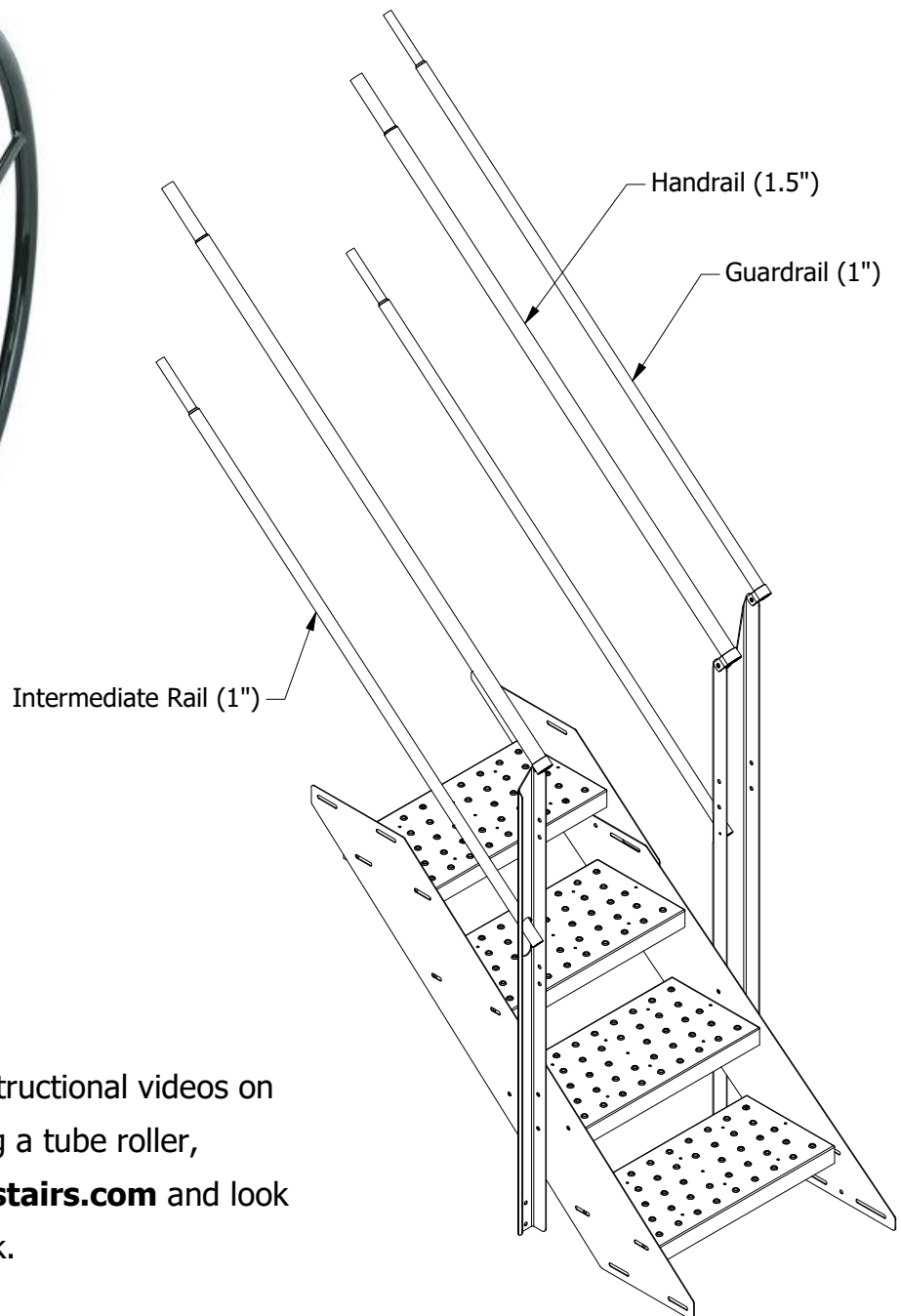
Attach the inside and outside posts to the siderails at the 2nd step from the bottom. Bolt in the holes shown in detail views.




## Installing Handrails

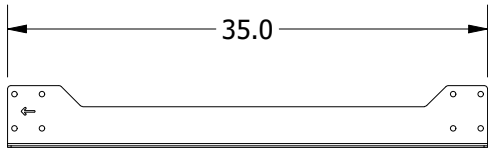
Using a Tube Roller Former as shown in the picture, curve all rails to fit the diameter of the bin.

The swaged ends of the rails should point up the stairs.

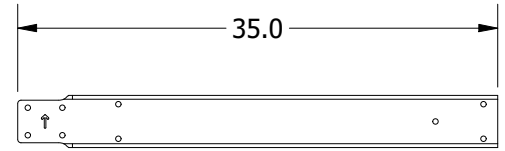


For more information and instructional videos on handrail installation and using a tube roller, go to our website at [greenestairs.com](http://greenestairs.com) and look for the  YouTube channel link.

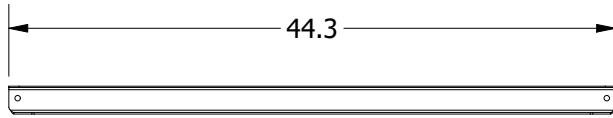
# CC3200 Parts ID



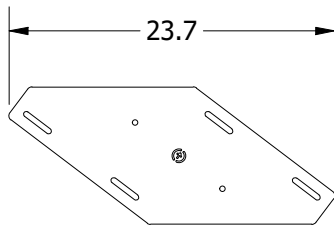
CS-32001



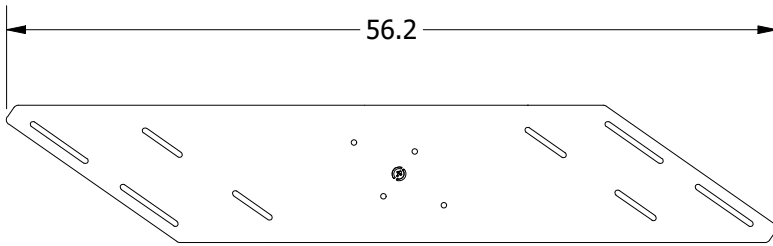
CS-40002



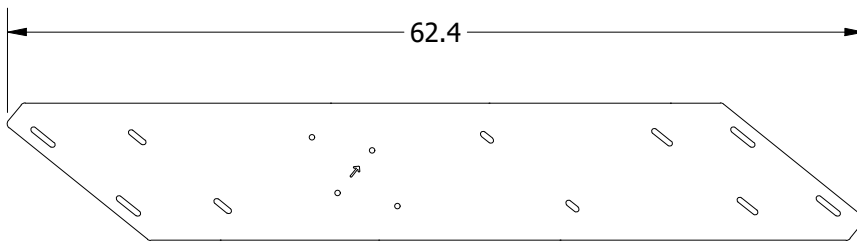
CS-32002



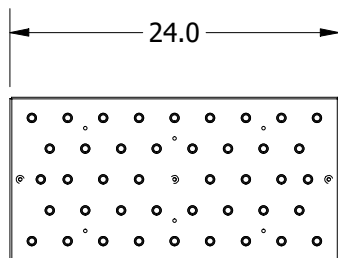
CS-32045



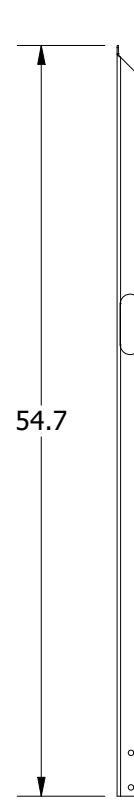
CS-32047



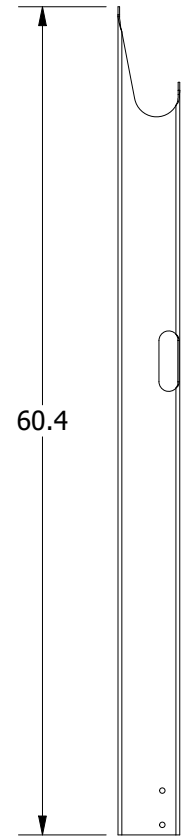
CS-32044



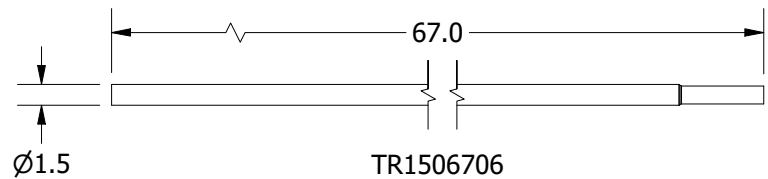
CS41224



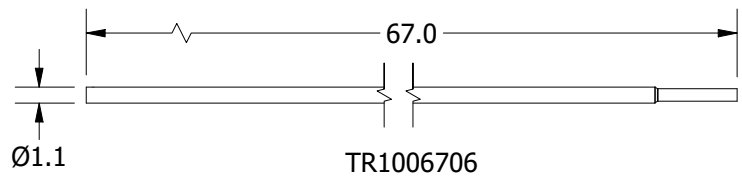
CS-40001



CS-40011



TR1506706

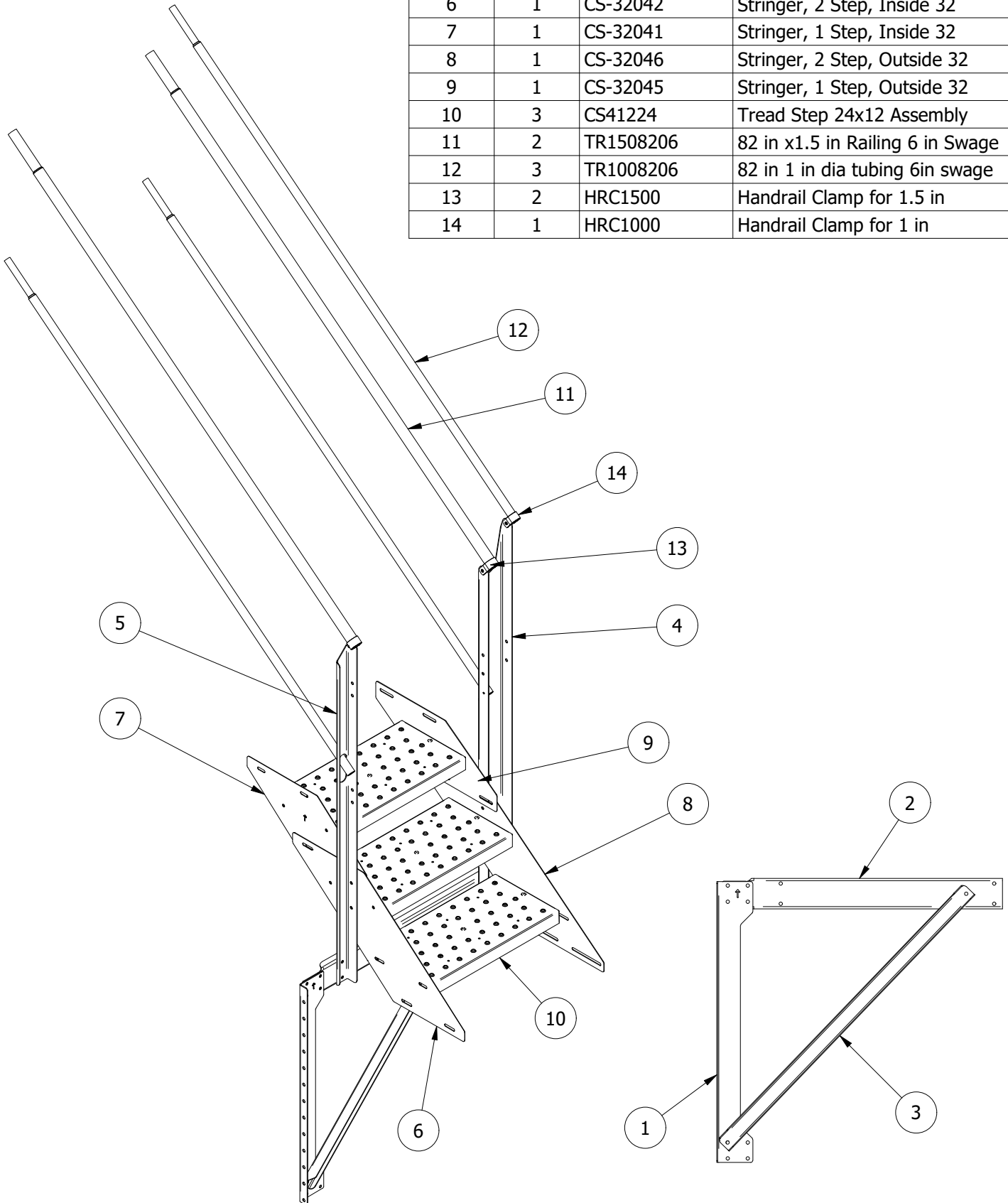


TR1006706

# CC3203P C-Series 32" 3 Step Split Stair Section

Used at eave platforms

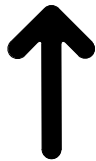
PARTS LIST			
ITEM	QTY	PART NUMBER	DESCRIPTION
1	2	CS-32001	Bracket, Wall, 32" ring
2	1	CS-40002	Channel, Crossbar
3	1	CS-32002	Channel, K-Brace, C-Series
4	1	CS-40011	Post, Stair Rail, Guard Rail Outside
5	1	CS-40001	Post, Inside Stair
6	1	CS-32042	Stringer, 2 Step, Inside 32
7	1	CS-32041	Stringer, 1 Step, Inside 32
8	1	CS-32046	Stringer, 2 Step, Outside 32
9	1	CS-32045	Stringer, 1 Step, Outside 32
10	3	CS41224	Tread Step 24x12 Assembly
11	2	TR1508206	82 in x1.5 in Railing 6 in Swage
12	3	TR1008206	82 in 1 in dia tubing 6in swage
13	2	HRC1500	Handrail Clamp for 1.5 in
14	1	HRC1000	Handrail Clamp for 1 in



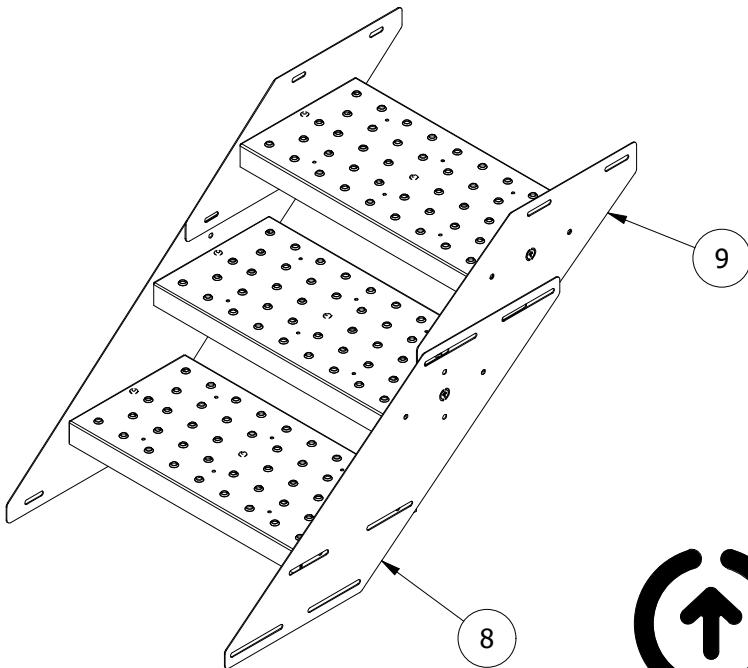
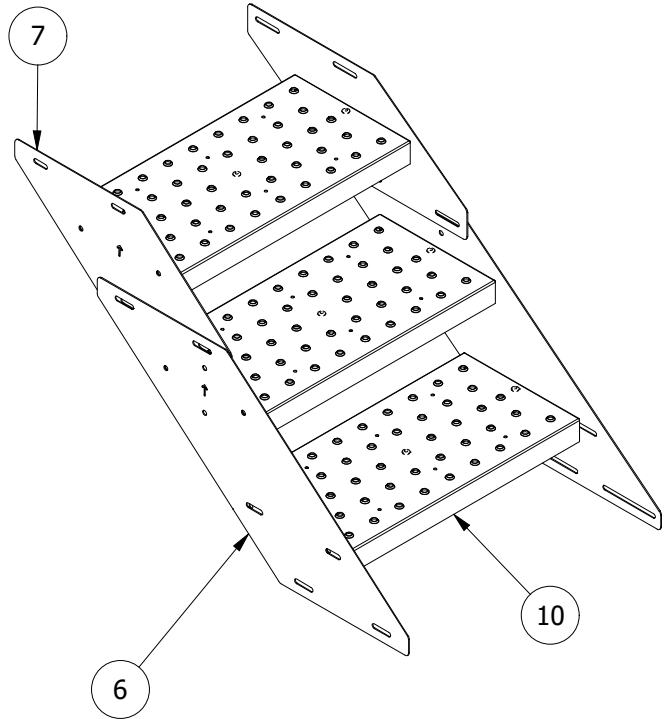
**CC3203P C-Series 32"**  
**3 Step Platform Stair Section**

PARTS LIST			
ITEM	QTY	PART NUMBER	DESCRIPTION
6	1	CS-32042	Stringer, 2 Step, Inside 32
7	1	CS-32041	Stringer, 1 Step, Inside 32
8	1	CS-32046	Stringer, 2 Step, Outside 32
9	1	CS-32045	Stringer, 1 Step, Outside 32
10	3	CS41224	Tread Step 24x12 Assembly

On the CC3203P platform stair section,  
the inside siderail is a two piece, 2-step and 1-step,  
the outside siderail is a two piece, 2-step and 1-step.



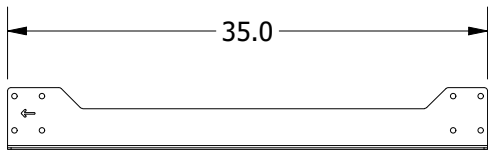
Arrow on Inside Siderails  
Arrows Always Face UP



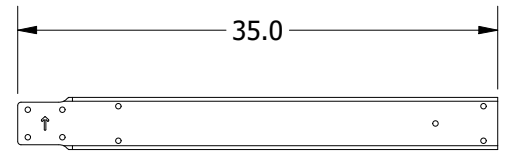
Arrow & Circle on Outside Siderails  
Arrows Always Face UP

**See page 33 for  
mounting to wall brace**

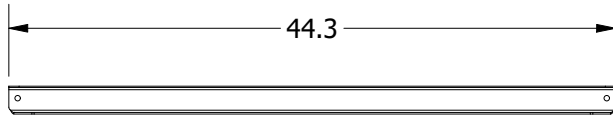
# CC3203P Parts ID



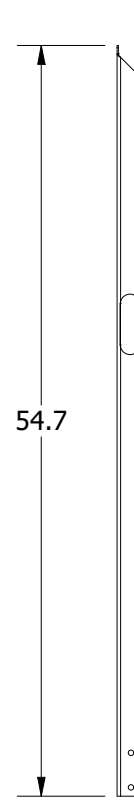
CS-32001



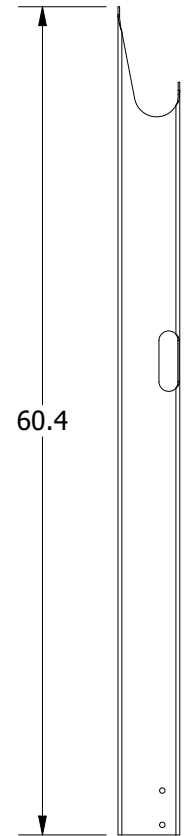
CS-40002



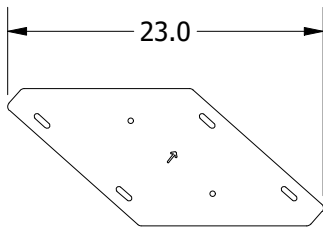
CS-32002



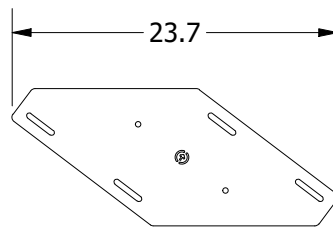
CS-40001



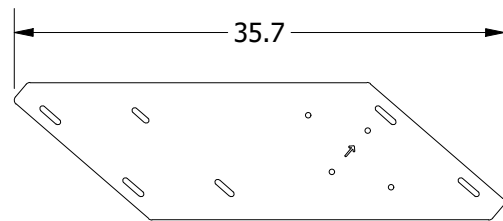
CS-40011



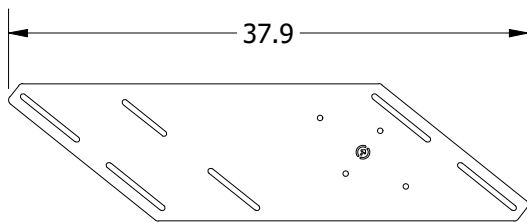
CS-32041



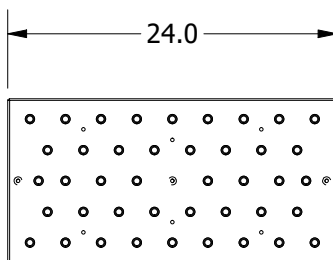
CS-32045



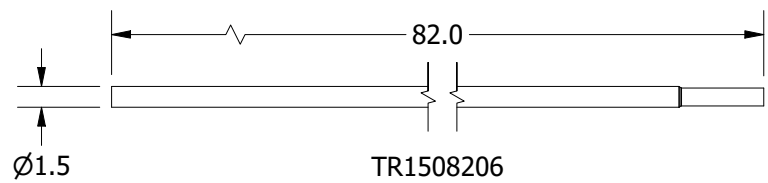
CS-32042



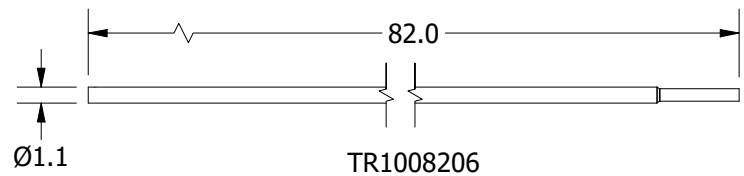
CS-32046



CS41224



TR1508206



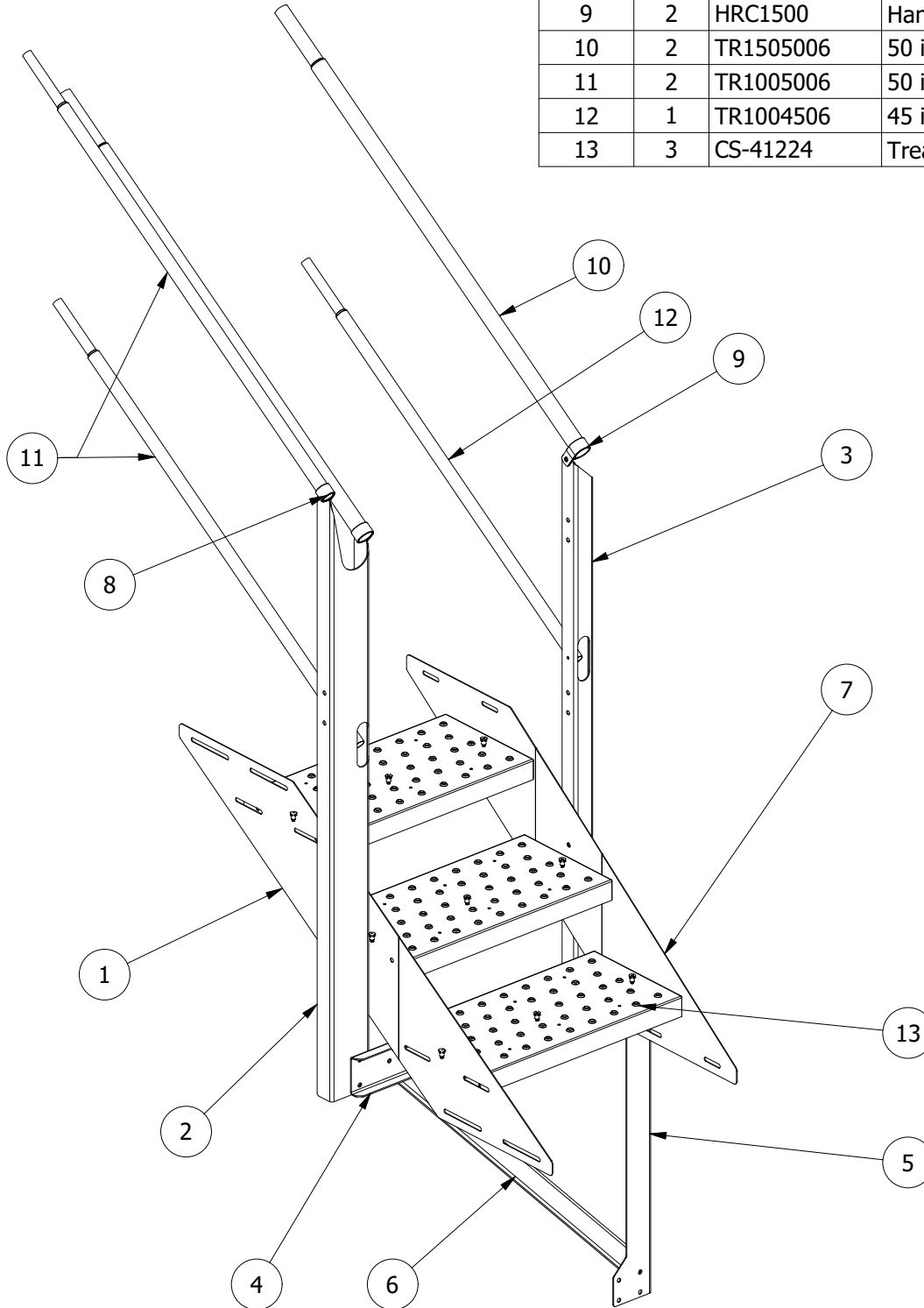
TR1008206

**CC3203 C-Series 32"  
3 Step Stair Section**

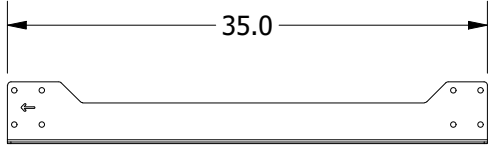
Used at rest landing

PARTS LIST

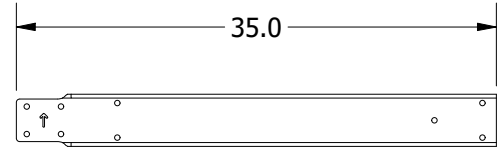
ITEM	QTY	PART NUMBER	DESCRIPTION
1	1	CS-32047	Stringer, 3 Step, Outside 32
2	1	CS-40011	Post, Stair Rail, Guard Rail Outside
3	1	CS-40001	Post, Inside Stair
4	1	CS-40002	Channel, Crossbar
5	1	CS-32001	Bracket, Wall, 32" ring
6	1	CS-32002	Channel, K-Brace, C-Series
7	1	CS-32043	Stringer, 3 Step, Inside 32
8	1	HRC1000	Handrail Clamp for 1 in
9	2	HRC1500	Handrail Clamp for 1.5 in
10	2	TR1505006	50 in x1.5 in Railing 6 in Swage
11	2	TR1005006	50 in 1 in dia tubing 6in swage
12	1	TR1004506	45 in 1 in dia tubing 6in swage
13	3	CS-41224	Tread Step 24x12



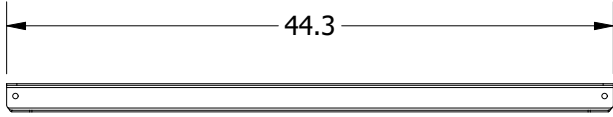
**CC3203 Parts ID**



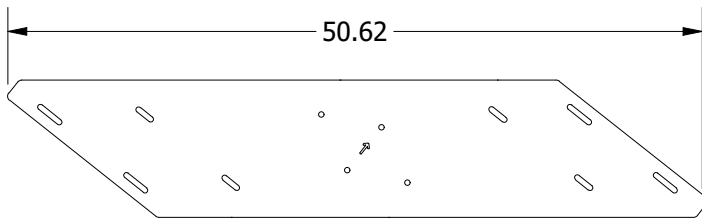
CS-32001



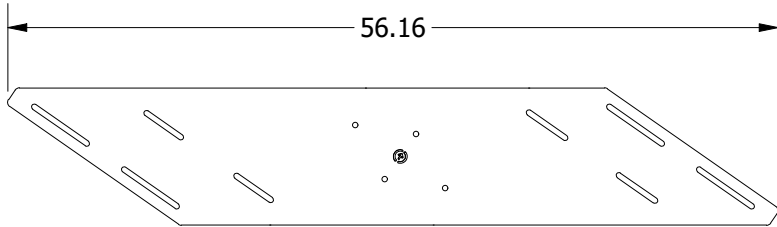
CS-40002



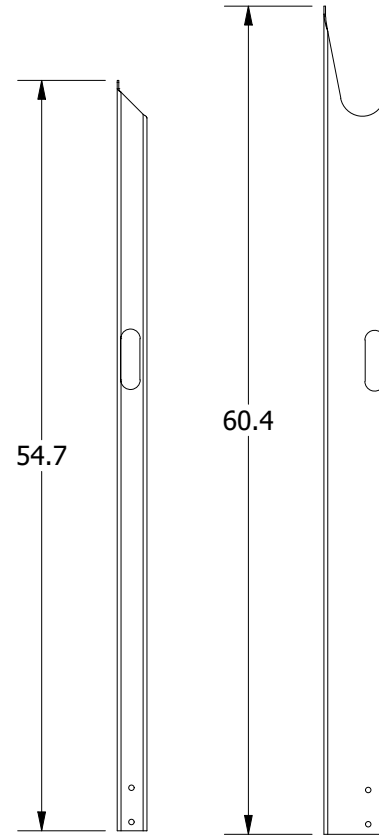
CS-32002



CS-32043

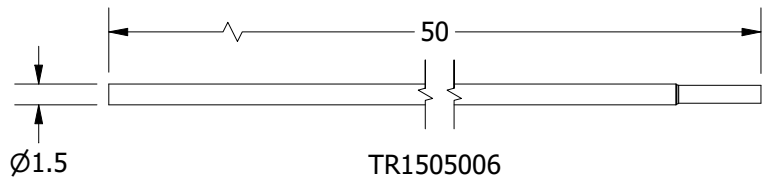


CS-32047

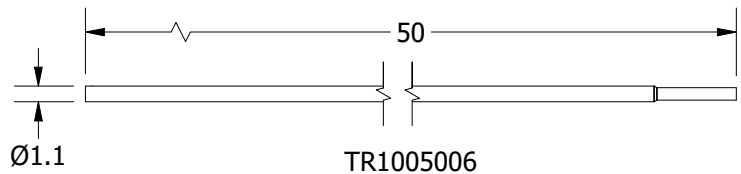


CS-40001

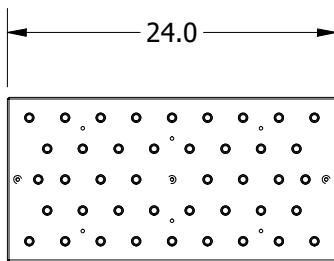
CS-40011



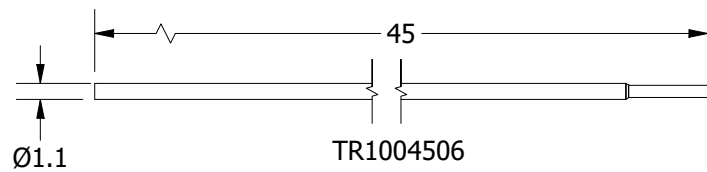
TR1505006



TR1005006



CS41224

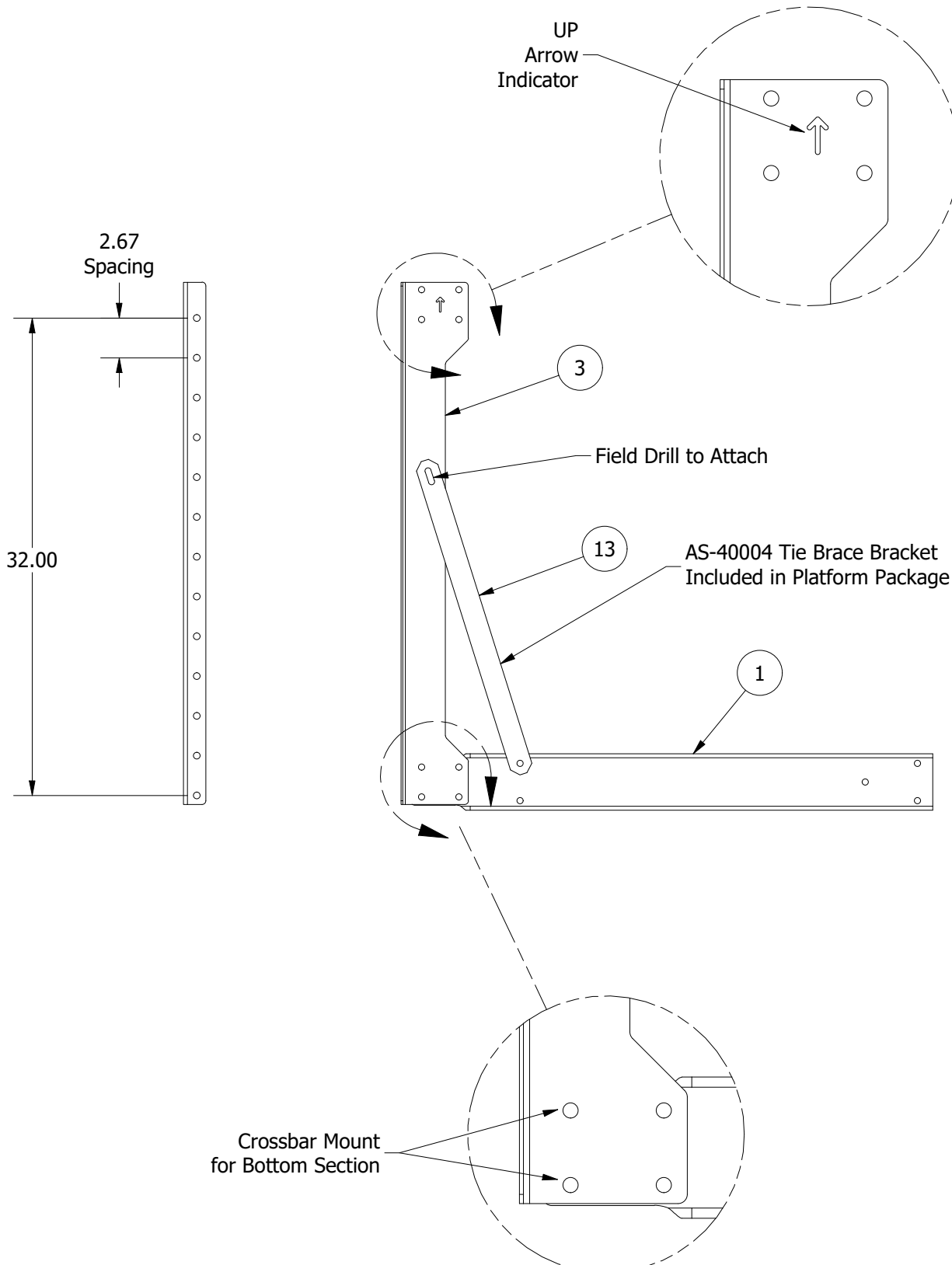


TR1004506



# A-Frame Bottom Section

PARTS LIST			
ITEM	QTY	PART NUMBER	DESCRIPTION
1	1	CS-40002	Channel, Crossbar
3	2	CS-32001	Bracket, Wall, 32" ring
13	1	AS-40004	Bracket, Tie Brace



## Bottom Stair Section Assembly

The AS-40004 tie brace and ART-2226 bottom end rails are included in the stair platform package.

Attach the tie brace to the inside post and field drill and bolt to the wall bracket as shown.

Install the bottom end rails into the stair handrails. Attach the flattened end to the stair post as shown.

