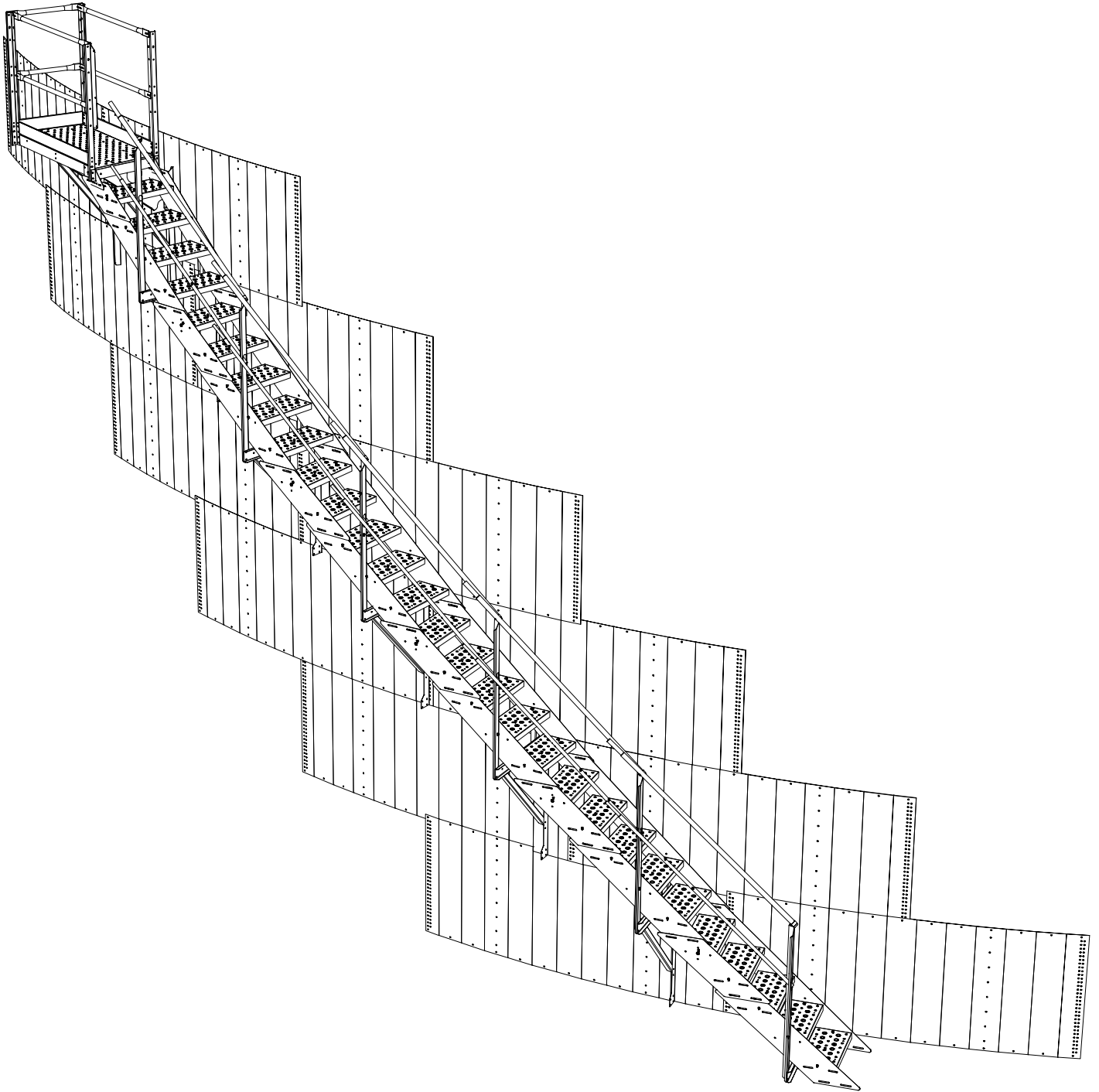


C-Series Sidewall Stairs

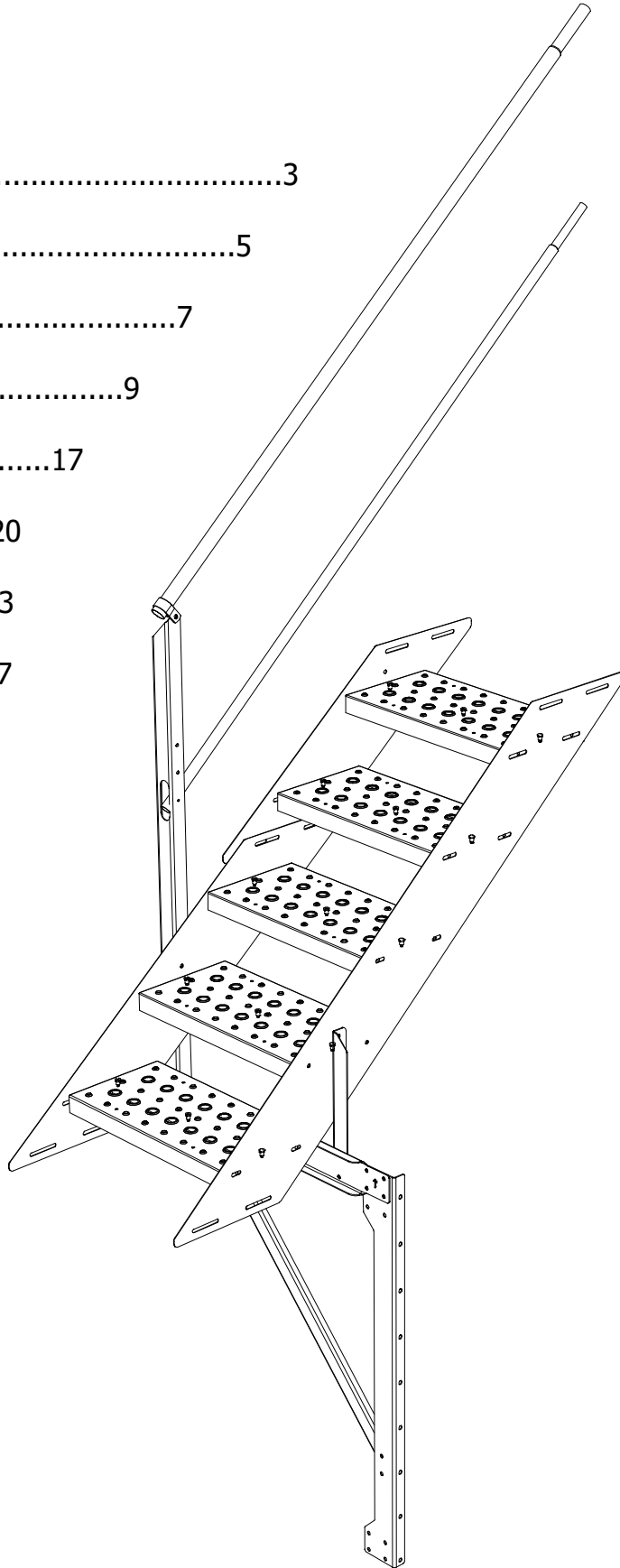
42.667" Farm Duty Assembly Instructions & Parts Reference



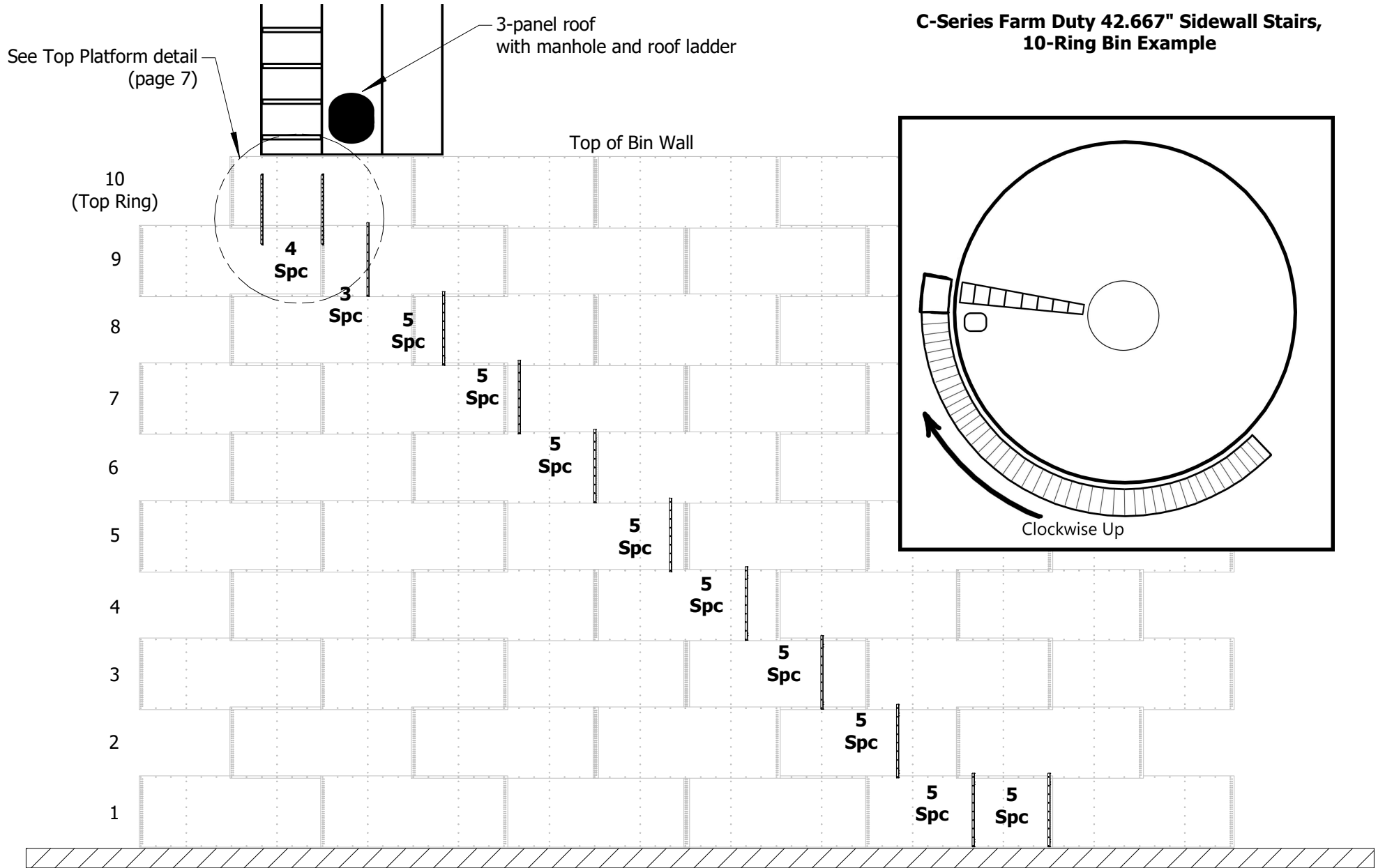
C-Series Sidewall Stairs
42.667" Farm System

Document Guide

Wall Bracket Layouts.....3
Position Guides.....5
Starting Layouts.....7
Top Platform.....9
Stair Sections.....17
Attaching Stairs.....20
Handrail.....23
Bottom Stair Section.....27



**C-Series Farm Duty 42.667" Sidewall Stairs,
10-Ring Bin Example**



Overall Run Distance can be determined using this formula:

Bolt Spaces: 2 + 5x ring count = Total Bolt Spaces

Bin sheets = Total bolt spaces/12

3 Spc = 3 bolt spaces = 28.14"

4 Spc = 4 bolt spaces = 37.52"

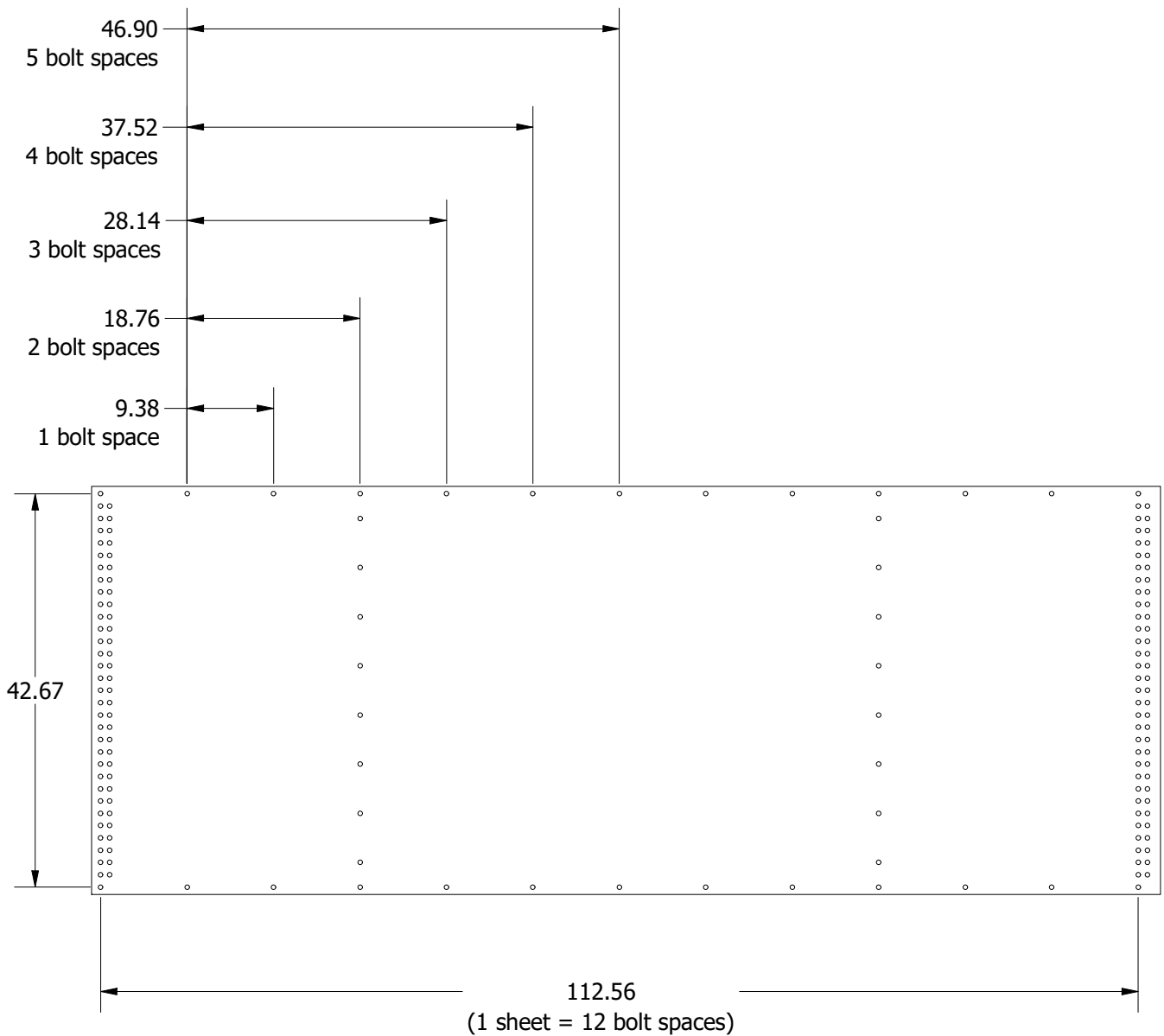
5 Spc = 5 bolt spaces = 46.9"

42.667" Bin Sheet Bolt Spacing

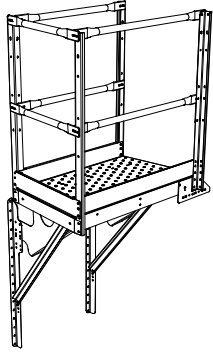
Wall bracket placement is marked by "Bolt Spaces" throughout these instructions.

On a 42.667" bin sheet, a bolt space is equal to 9.375 inches.

Bolt spaces and their corresponding lengths in inches:



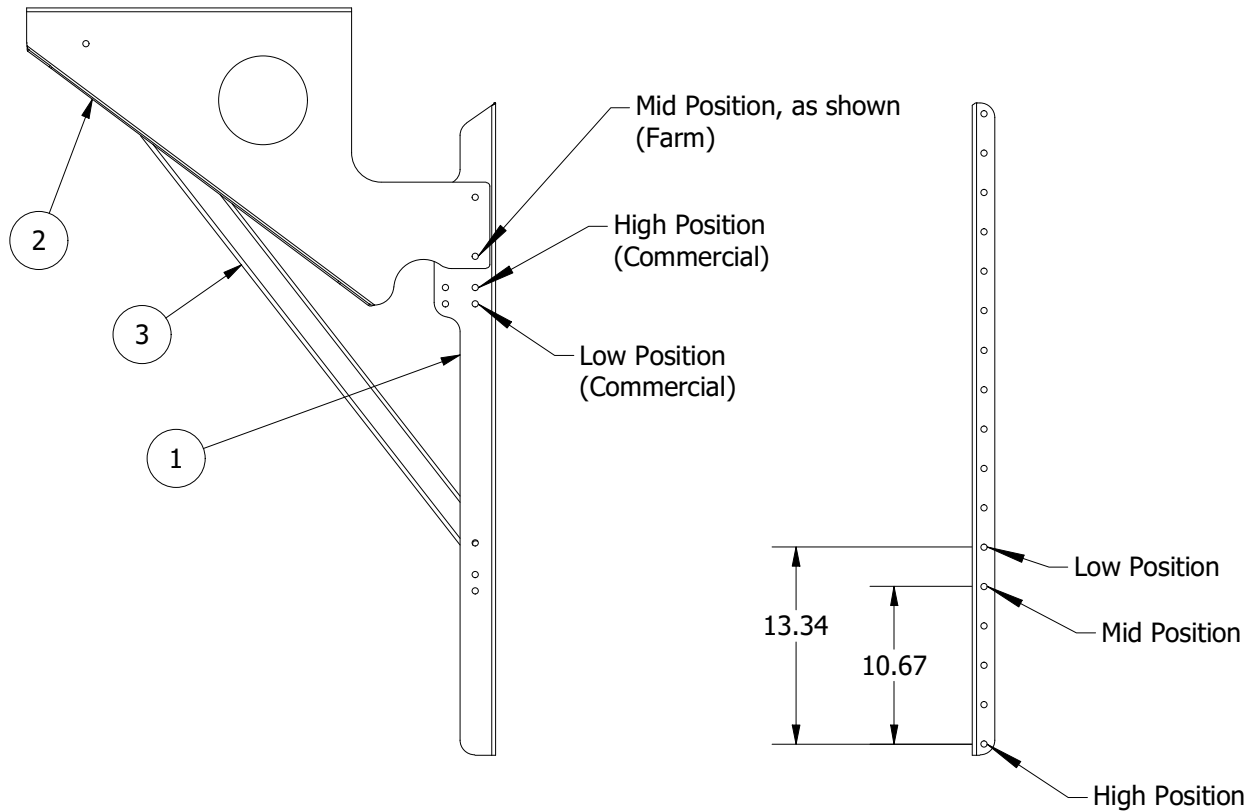
Platform A-Frame 42.667" Position Guide



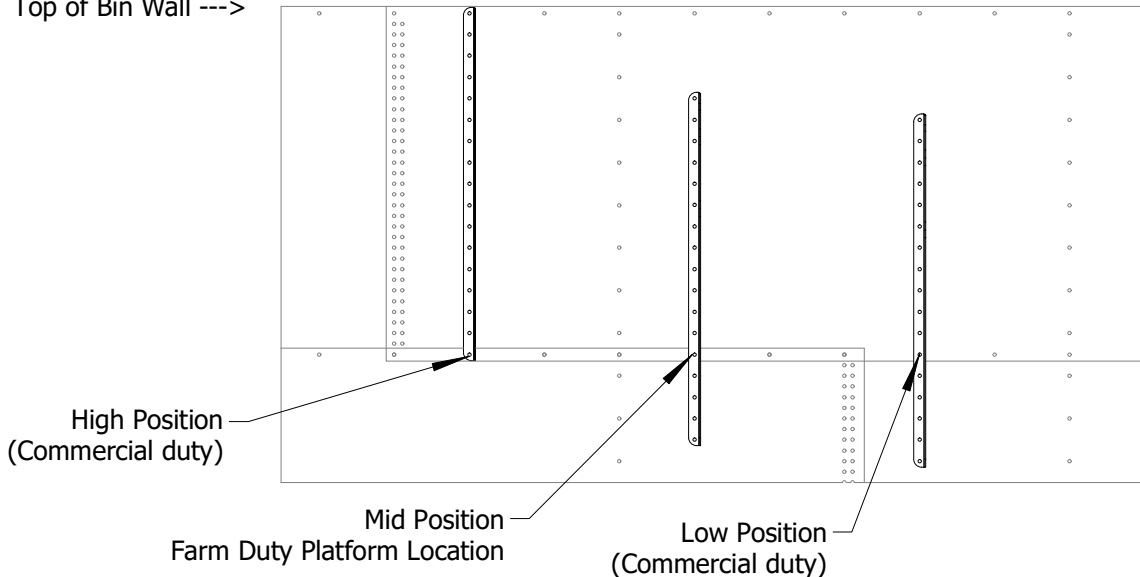
PARTS LIST			
ITEM	QTY	PART NUMBER	DESCRIPTION
1	1	CS-34261	Bracket, Platform 42.67" ring
2	1	CS-34402	Brace, Plate, Platform
3	1	CS-32002	Channel, K-Brace, C-Series

There are 3 position adjustments for brackets mounted in or below the seam, On Farm Duty, only a top platform is installed, using the Mid Position

The Farm Duty wall brackets are bolted to the sheet seam using the 5th bolt hole up from the bottom (10.67")



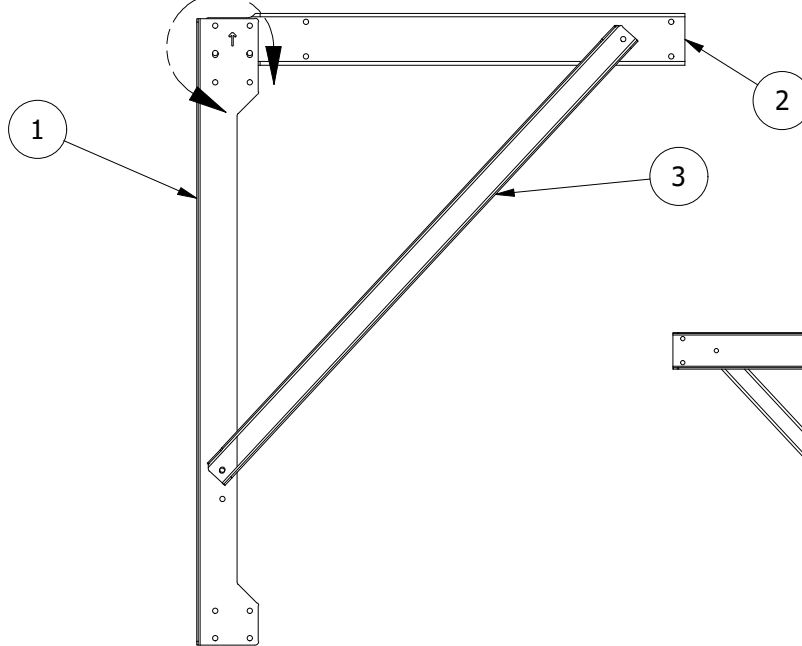
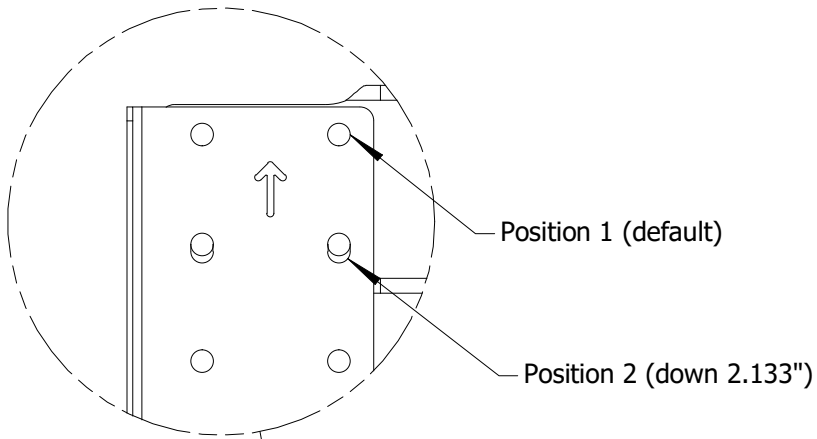
Top of Bin Wall --->



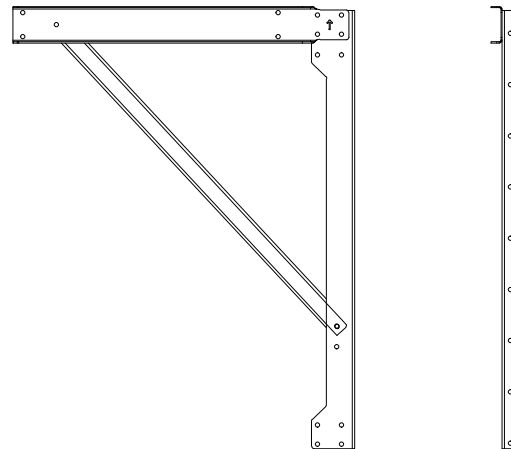
Stair A-Frame 42.667" Position Guide

PARTS LIST			
ITEM	QTY	PART NUMBER	DESCRIPTION
1	1	CS-42661	Bracket, Wall, 42.67" ring
2	1	CS-40002	Channel, Crossbar
3	1	CS-32002	Channel, K-Brace, C-Series

Farm Duty platforms use the default position for all stair wall brackets



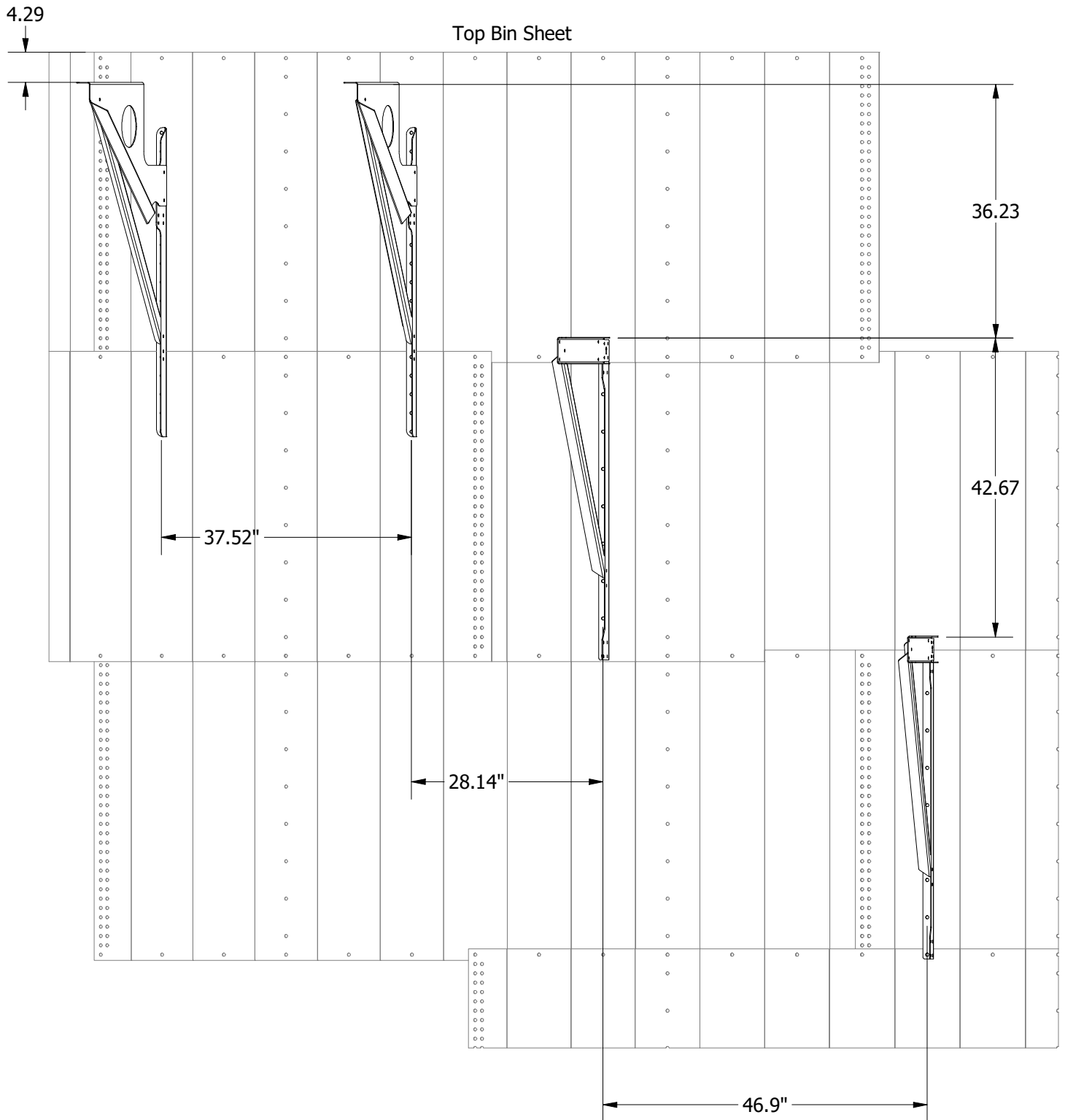
Reverse view



Eave Layout, C-Series Farm 42.667"

Wall Brackets & A-frames

Wall brackets should be attached to the bin wall with at least two bolts. Field drill as needed.

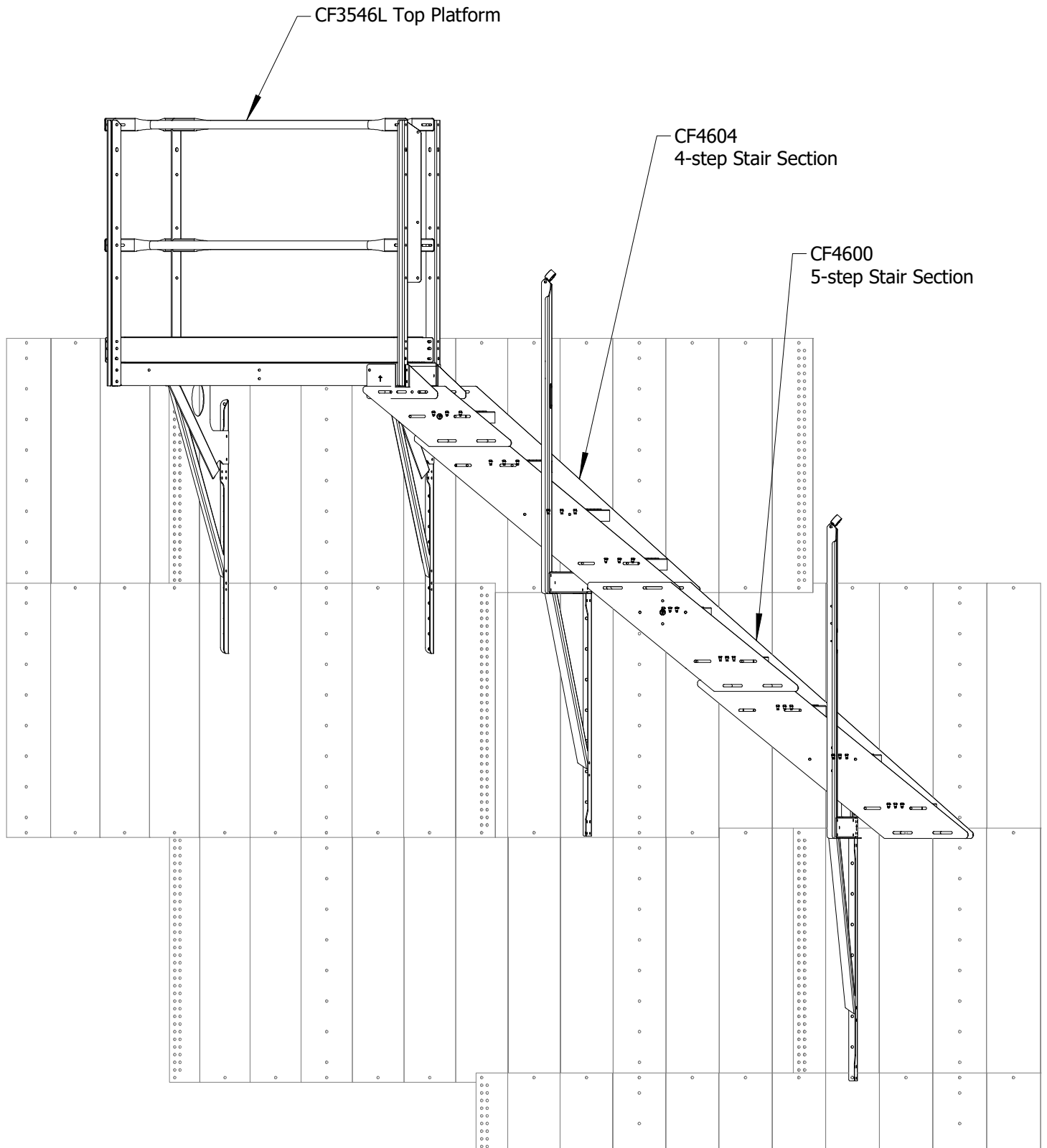


Eave Layout, C-Series Farm 42.667"

Top Platform and Stair Sections

It is recommended to begin installation with the top platform and attach the stairs as the bin is jacked during the construction stage.

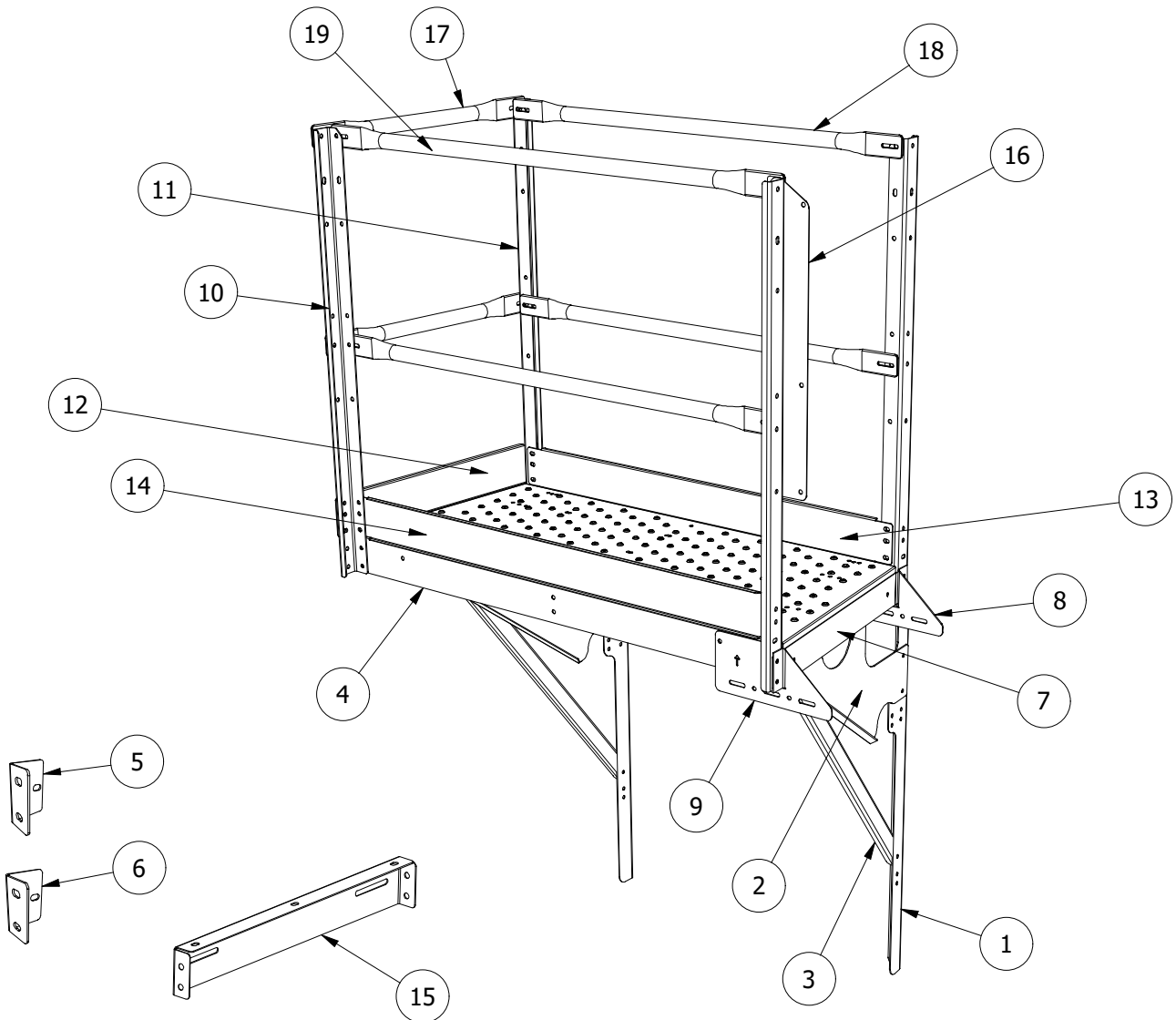
The top platform is followed by a 4-step section which aligns the sections with the bin sheet seams.



CF3546L Parts List
C-Series Farm 42.667"
Top Platform

Overview of top platform assembly
 Refer to the parts reference on pages 15-16

PARTS LIST CF3546L			
ITEM	QTY	PART NUMBER	DESCRIPTION
1	2	CS-34261	Bracket, Platform 42.67" ring
2	2	CS-34402	Brace, Plate, Platform
3	2	CS-32002	Channel, K-Brace, C-Series
4	1	CS-F30001	Tread, Platform, Trapezoid 55x24
5	2	CS-40005	Bracket, Brace, Angle, Acute
6	2	CS-40006	Bracket, Brace, Angle, Obtuse
7	2	CS-34414	Bracket, Faceplate
8	1	CS-40410	Lower Stringer Extension
9	1	CS-40411	Platform Stringer Extension
10	2	CS-34500	Angle, Post, J-channel, Right
11	2	CS-34501	Angle, Post, J-channel, Left
12	1	CS-34408	Channel, Kickboard, End
13	1	CS-34407	Channel, Kickboard, Inside, Long
14	1	CS-34406	Channel, Kickboard, Outside Long
15	1	CS-3009	Bracket, Support, Platform
16	1	CS-30010	Bracket, Plate, Handrail
17	2	TRS1502800	28" Long 1.5 in tube railing slotted end tabs
18	2	TRS1504800	48" Long 1.5 in tube railing slotted end tabs
19	2	TRS1505400	54" long 1.5 in tube railing slotted end tabs



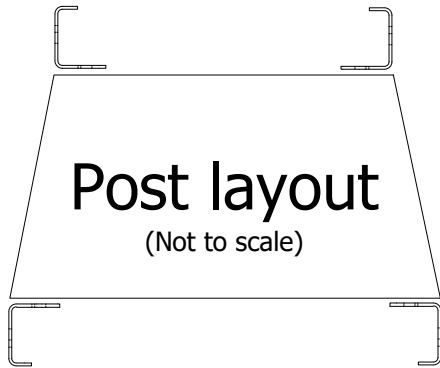
C-Series Commercial Platform Assembly

Platform corners hold structural components in place as shown (top view)

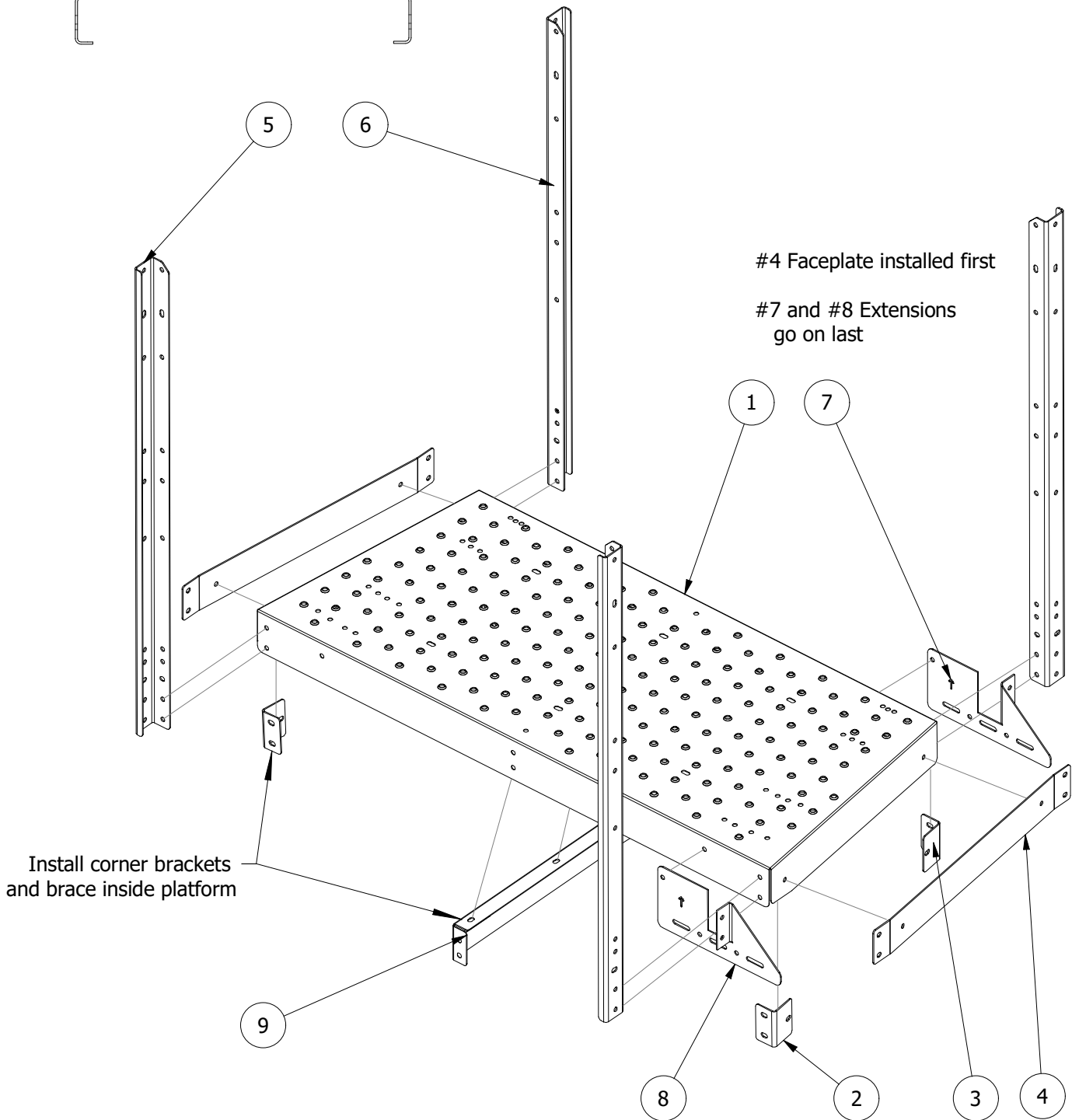


C-Series Commercial Platform Assembly

Posts & Brackets



PARTS LIST			
ITEM	QTY	PART NUMBER	DESCRIPTION
1	1	CS-F30001	Tread, Platform, Trapezoid 55x24
2	2	CS-40005	Bracket, Brace, Angle, Acute
3	2	CS-40006	Bracket, Brace, Angle, Obtuse
4	2	CS-34414	Bracket, Faceplate
5	2	CS-34500	Angle, Post, J-channel, Right
6	2	CS-34501	Angle, Post, J-channel, Left
7	1	CS-40410	Lower Stringer Extension, Right
8	1	CS-40411	Lower Stringer Extension, Left
9	1	CS-3009	Bracket, Support, Platform

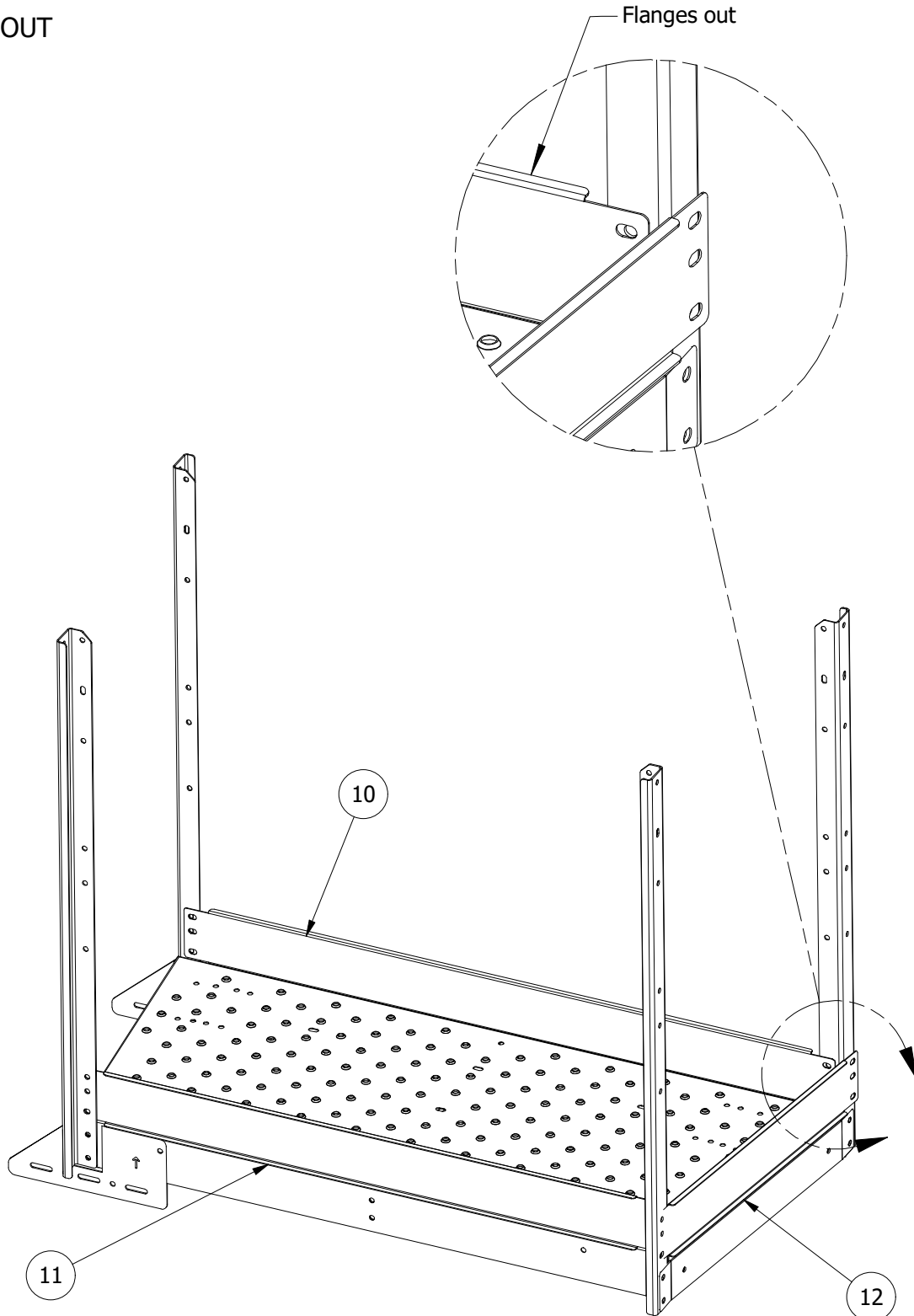


**C-Series Commercial
Platform Assembly
Kickboards**

PARTS LIST			
ITEM	QTY	PART NUMBER	DESCRIPTION
10	1	CS-34406	Channel, Kickboard, Outside Long
11	1	CS-34407	Channel, Kickboard, Inside, Long
12	1	CS-34408	Channel, Kickboard, End

Attach toekicks using the slots that align at posts.

Flanges face OUT

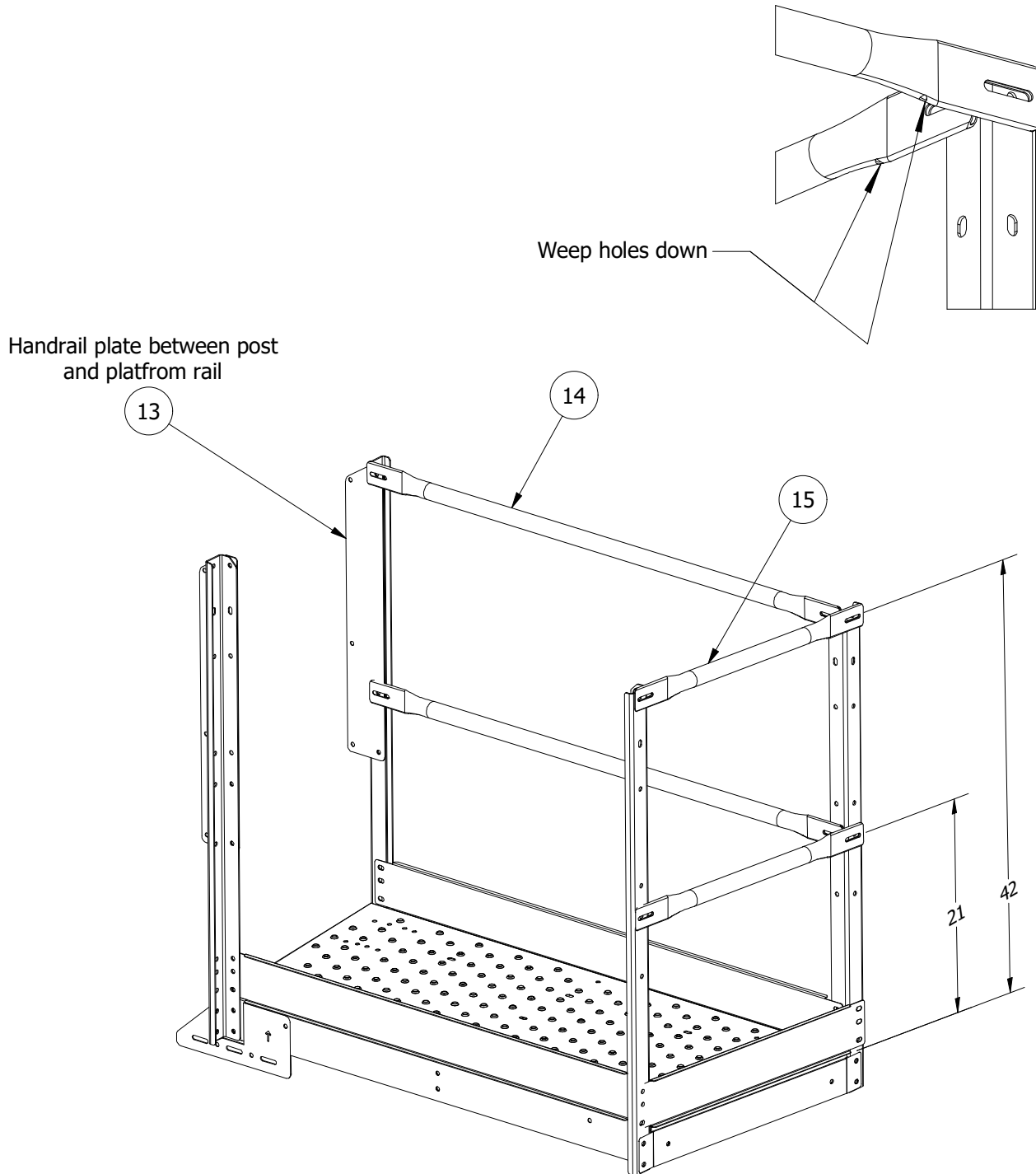


**C-Series Farm
Platform Assembly
Railing**

PARTS LIST			
ITEM	QTY	PART NUMBER	DESCRIPTION
13	2	CS-30010	Bracket, Plate, Handrail
14	2	TRS1505400	54" long 1.5 in tube railing slotted end tabs
15	2	TRS1502800	28 Long 1.5 in tube railing slotted end tabs

Attach Handrail and Midrail smashed end tubing at ~21" and ~42" from platform deck.

Orient the pre-drilled weep holes down for drainage

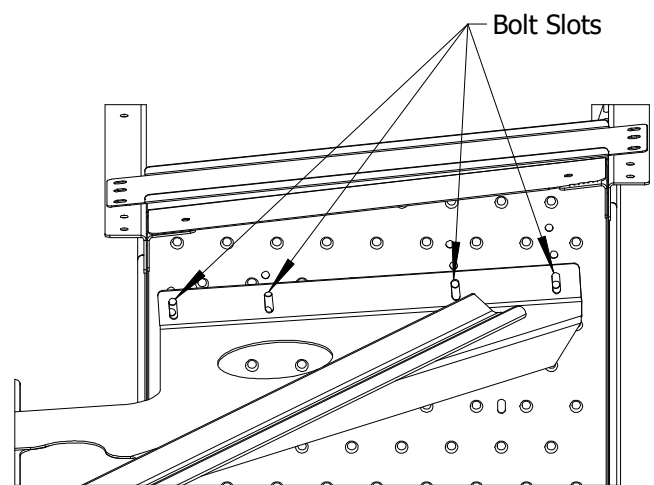
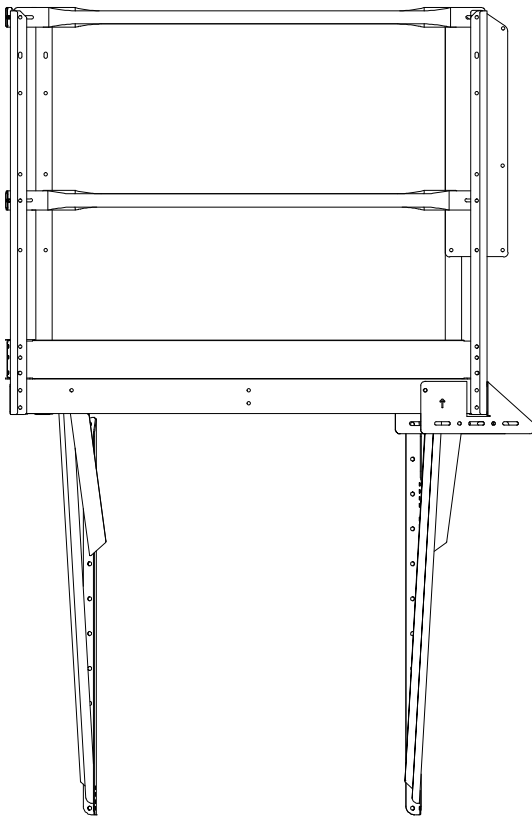
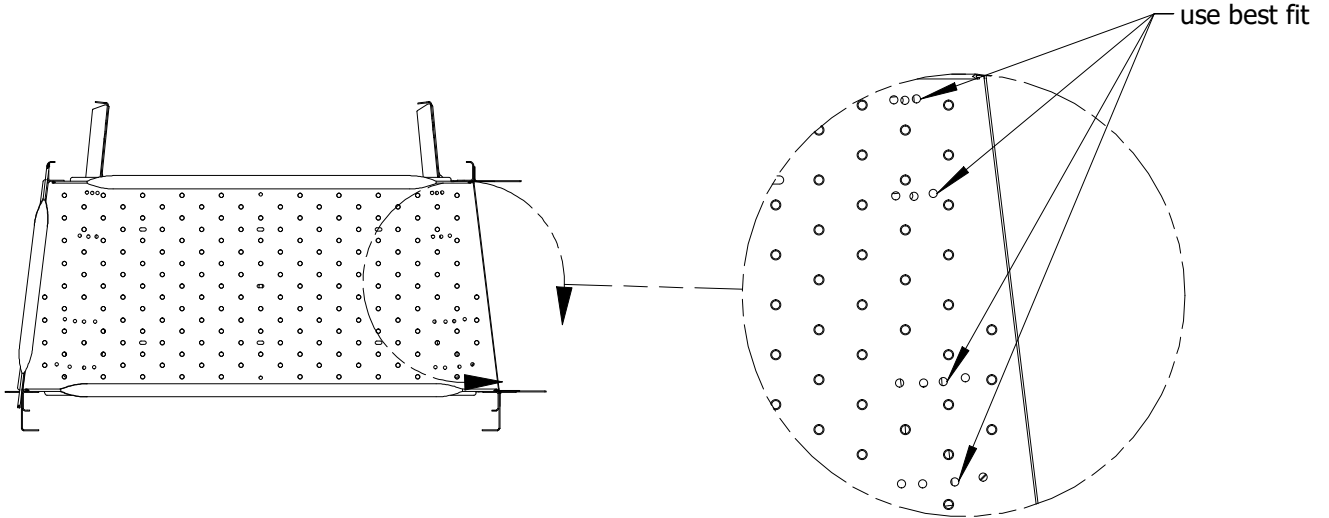


C-Series Commercial Platform Assembly

Center the platform assembly on top of the A-frame wall mounts.

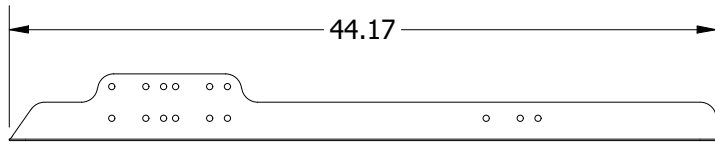
Use 4 bolts (5/16") to attach each A-frame to the platform.

Use the bolt holes in the platform that best align with the A-frame mounts, this will vary according to the bin diameter.

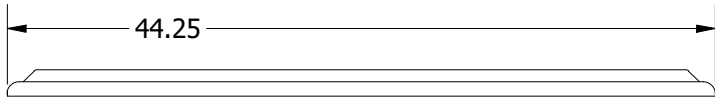


**Underside View of
Platform Attachment**

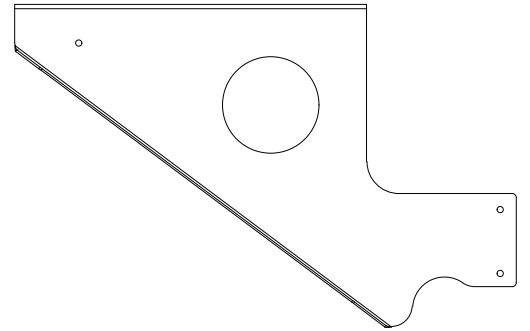
**CF3546L Top Platform
Parts ID**



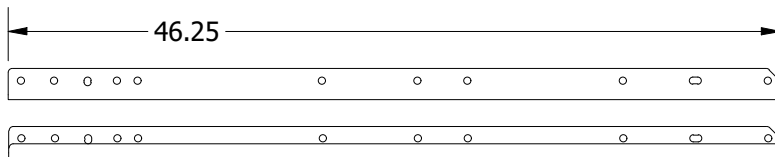
CS-34261



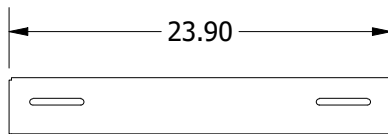
CS-32002



CS-34402

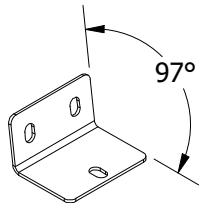
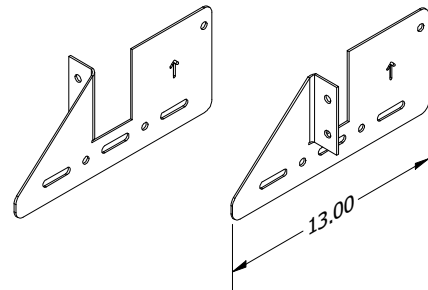


CS-34500 (Right), CS-34501 (Left)

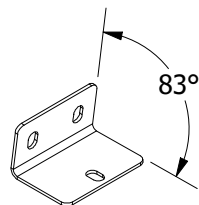


CS-3009

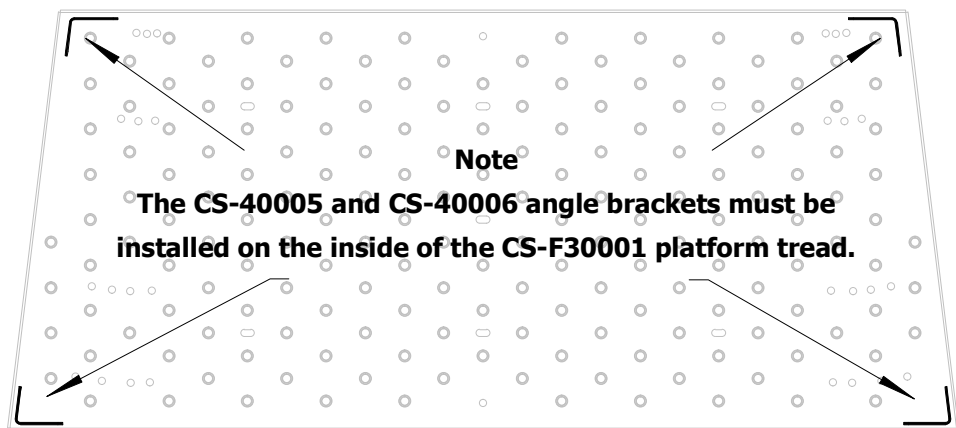
CS-40411, CS-40410



CS-40006



CS-40005

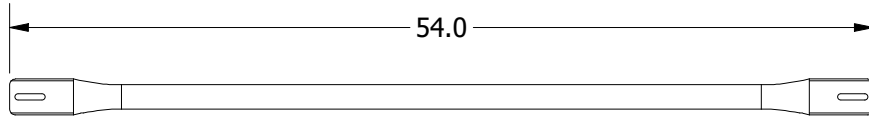


Note

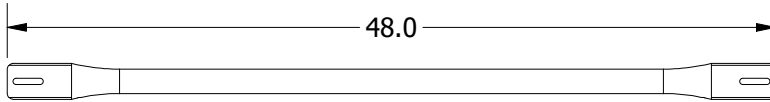
The CS-40005 and CS-40006 angle brackets must be installed on the inside of the CS-F30001 platform tread.

CS-F30001

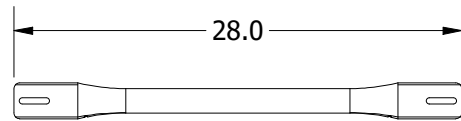
CF3546L Top Platform
Parts ID



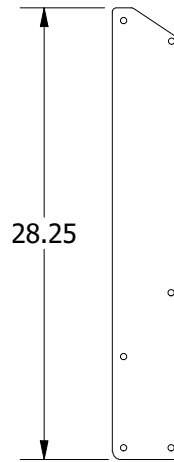
TR1505400



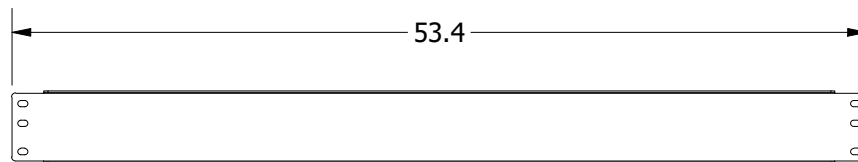
TR1504800



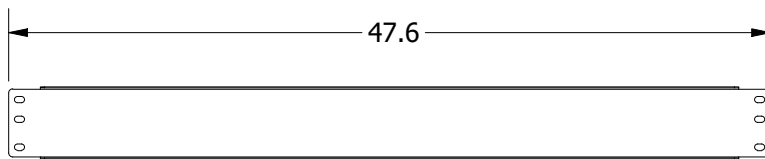
TR1502800



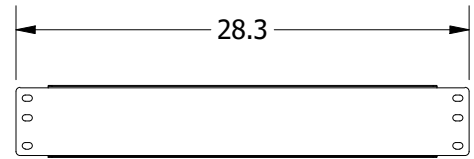
CS-30010



CS-34406

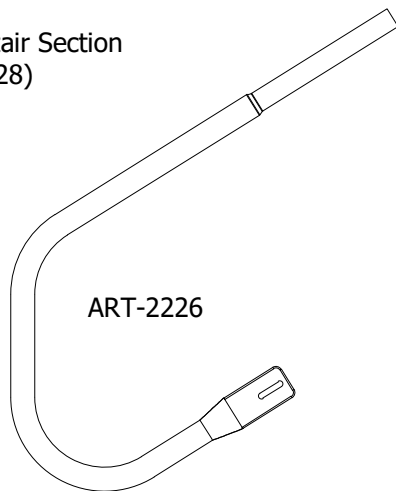


CS-34407

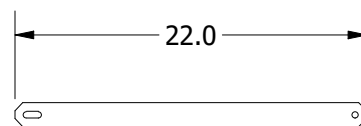


CS-34408

Used on Bottom Stair Section
 (see page 28)



ART-2226

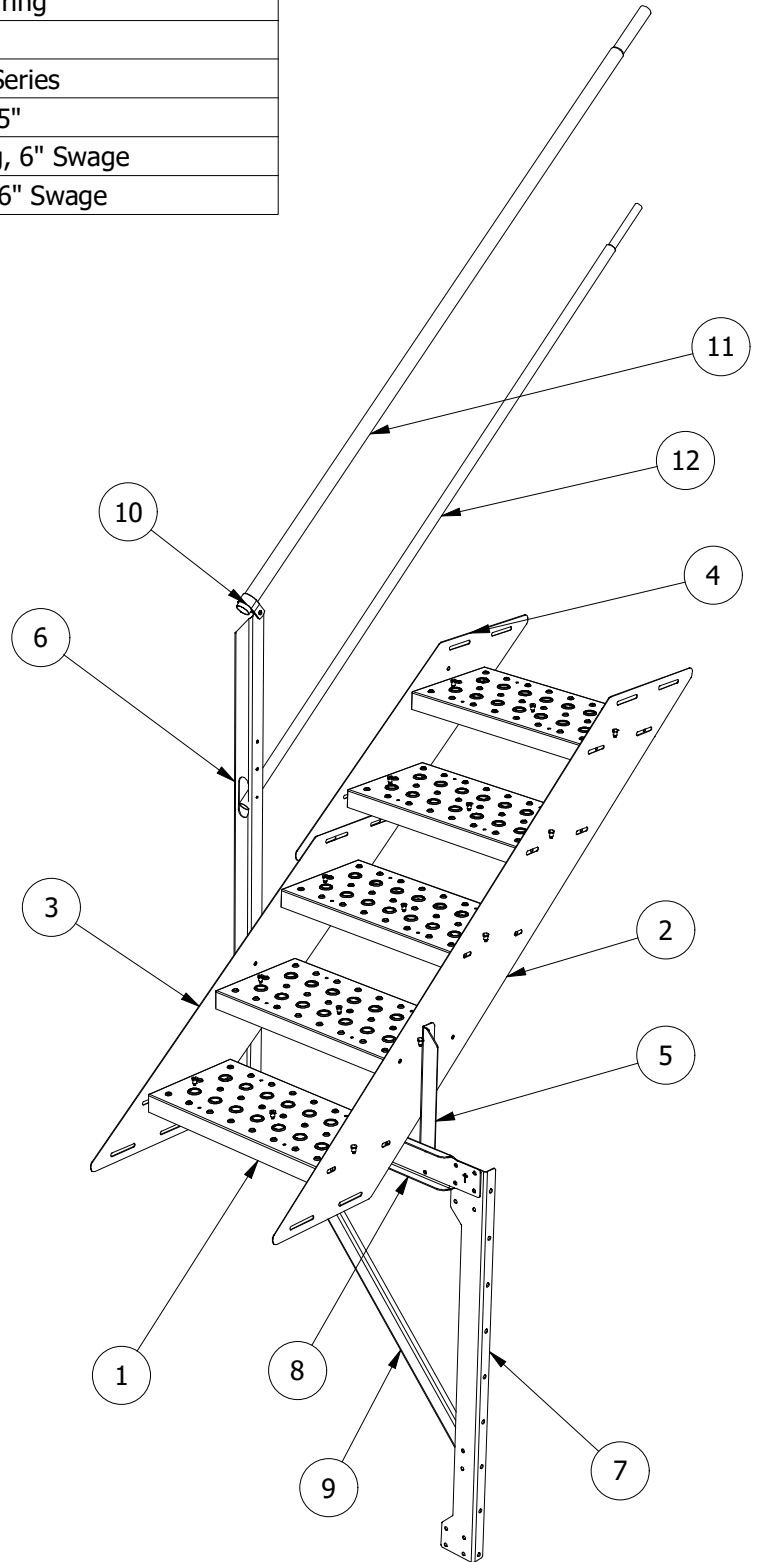
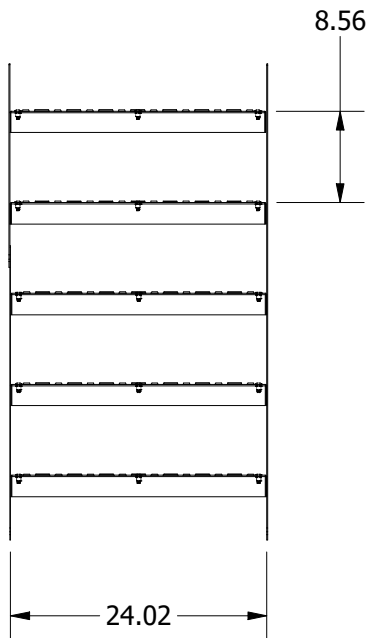


AS-40004

PARTS LIST CF4600

ITEM	QTY	PART NUMBER	DESCRIPTION
1	5	CS-41224	Tread Step 24x12
2	1	CS-42675	Siderail, Inside, 5-step 42.67" ring
3	1	CS-42678	Siderail, outside, 3-step 42.67" ring
4	1	CS-42677	Siderail, outside, 2-step 42.67" ring
5	1	CS-F40001	Post, Stair, Inside
6	1	CS-F40011	Post, Stair, Outside
7	1	CS-42661	Bracket, Wall, 42.67" ring
8	1	CS-40002	Channel, Crossbar
9	1	CS-32002	Channel, K-Brace, C-Series
10	1	HRC1500	Handrail Clamp for 1.5"
11	1	TR1508206	82" x1.5 in dia Railing, 6" Swage
12	1	TR1008206	82" x1 in dia Railing, 6" Swage

**Parts List, CF4600
C-Series Farm 42.667"
5 Step Stair Section**

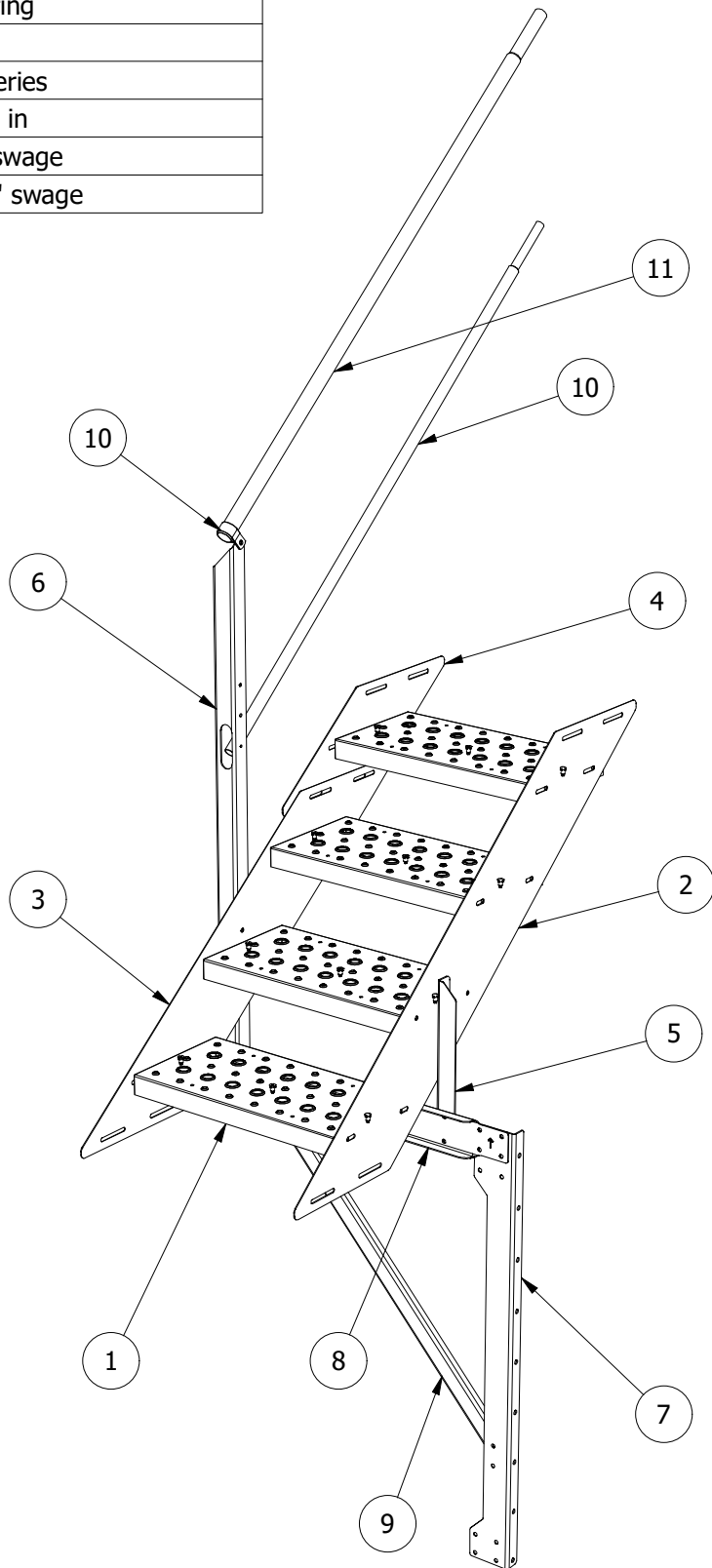
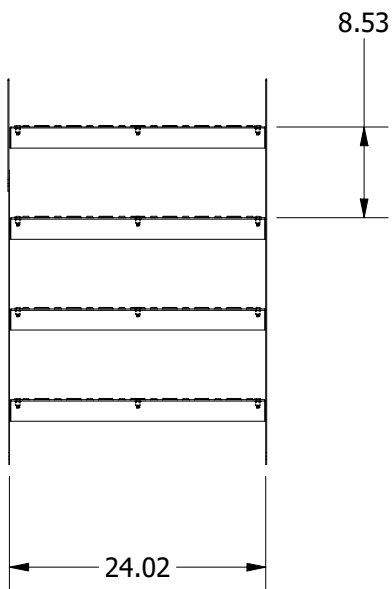


The 5-step stair section is used for every bin sheet except the top, where the platform and 4-step are used.

PARTS LIST CF4604

ITEM	QTY	PART NUMBER	DESCRIPTION
1	4	CS-41224	Tread Step 24x12
2	1	CS-42674	Siderail, inside, 4-step 42.67" ring
3	1	CS-42678	Siderail, outside, 3-step 42.67" ring
4	1	CS-42676	Siderail, outside, 1-step 42.67" ring
5	1	CS-F40001	Post, Stair, Inside
6	1	CS-F40011	Post, Stair Rail, Outside
7	1	CS-42661	Bracket, Wall, 42.67" ring
8	1	CS-40002	Channel, Crossbar
9	1	CS-32002	Channel, K-Brace, C-Series
10	1	HRC1500	Handrail Clamp for 1.5 in
11	1	TR1506706	67" x1.5 in Railing 6" swage
10	1	TR1006706	67" x1 in dia Railing 6" swage

**Parts List, CF4604
C-Series Farm 42.667"
4 Step Stair Section**



The 4-step stair section is used after the top platform

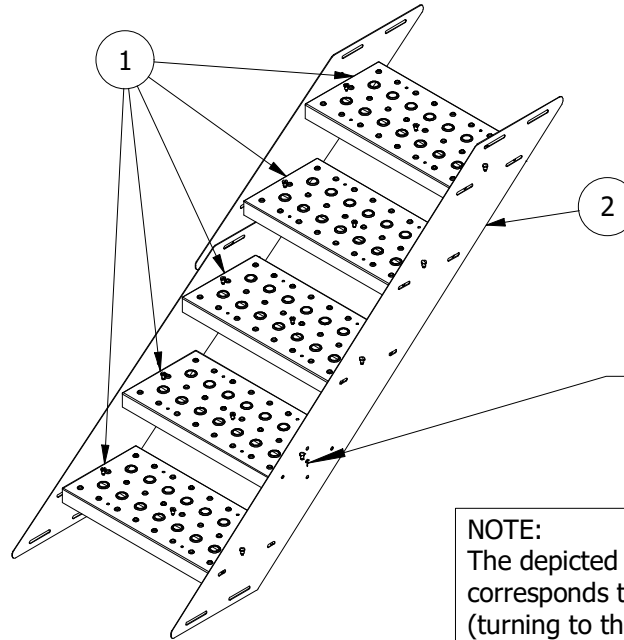
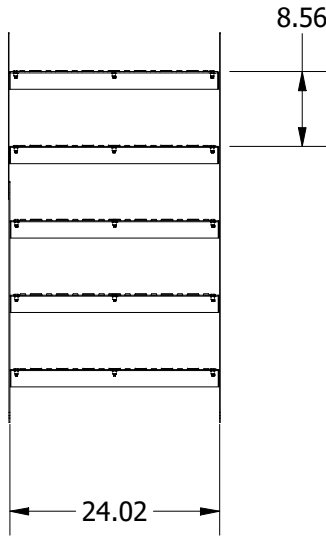
NOTE:
Additional CF4604 stair sections are only needed if there will be a rest landing that interrupts the stair run, which is optional for Farm Duty packages.

CF4600 C-Series Farm 42.667" 5 Step Stair Section

PARTS LIST			
ITEM	QTY	PART NUMBER	DESCRIPTION
1	5	CS-41224	Tread Step 24x12
2	1	CS-42675	Siderail, Inside, 5-step 42.67" ring
3	1	CS-42678	Siderail, outside, 3-step 42.67" ring
4	1	CS-42677	Siderail, outside, 2-step 42.67" ring

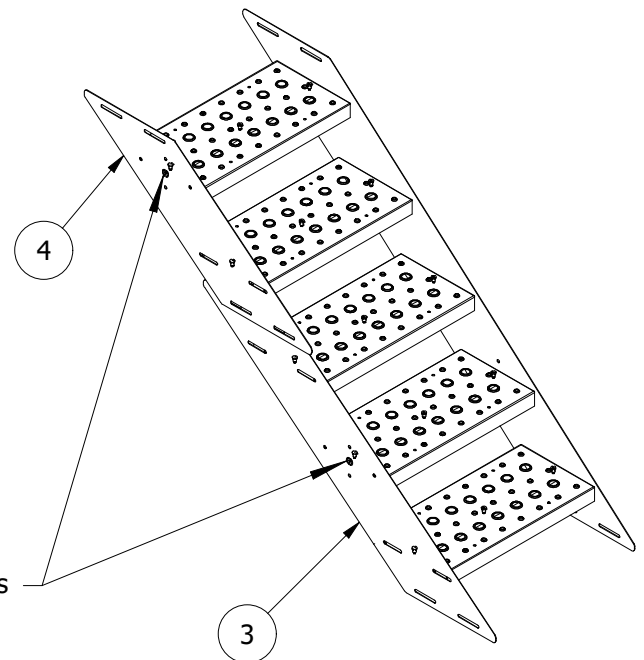
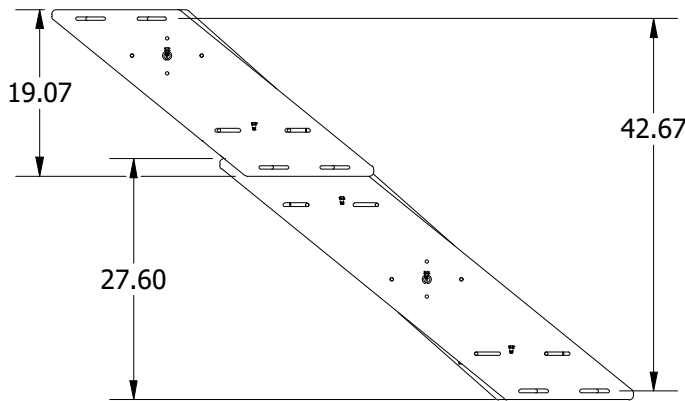
On the CF4600 stair section;
the inside siderail is a one piece 5-step,
the outside siderail is a two piece, 3-step and 2-step.

Bolt together but DO NOT TIGHTEN until correctly
"fanned" (see page 22).



Arrow on Inside Siderails
Arrows Always Face UP

NOTE:
The depicted siderail placement corresponds to Clockwise stair runs (turning to the right as they go up the bin). For Counterclockwise stair runs, the siderail placement should be mirrored.



Arrow & Circle on Outside Siderails
Arrows Always Face UP

Attaching the Posts to the A-Frame

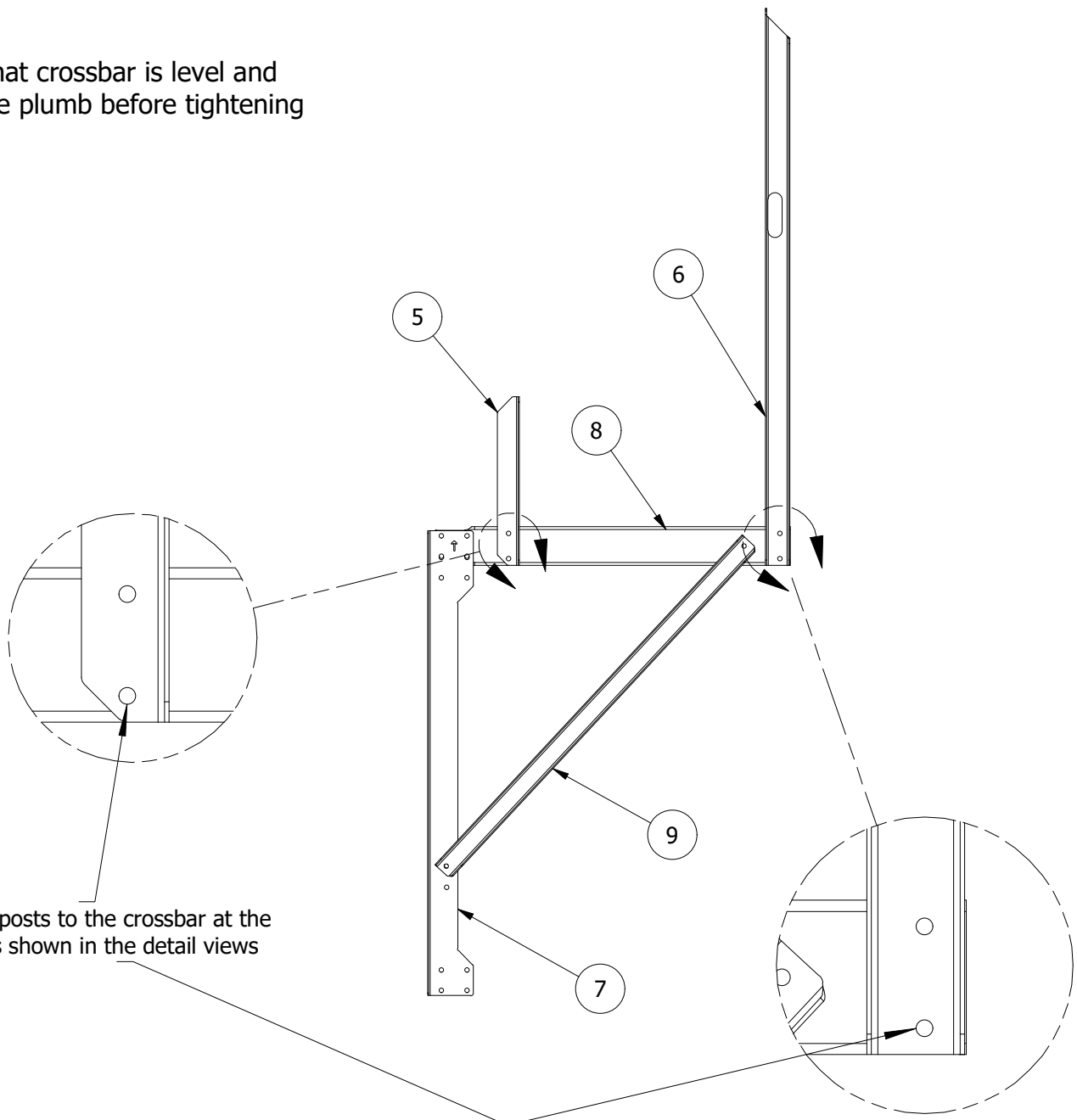
PARTS LIST

ITEM	QTY	PART NUMBER	DESCRIPTION
5	1	CS-F40001	Post, Stair, Inside
6	1	CS-F40011	Post, Stair, Outside
7	1	CS-42661	Bracket, Wall, 42.67" ring
8	1	CS-40002	Channel, Crossbar
9	1	CS-32002	Channel, K-Brace, C-Series

Top view showing post orientation



Check that crossbar is level and posts are plumb before tightening



Bolt the posts to the crossbar at the locations shown in the detail views

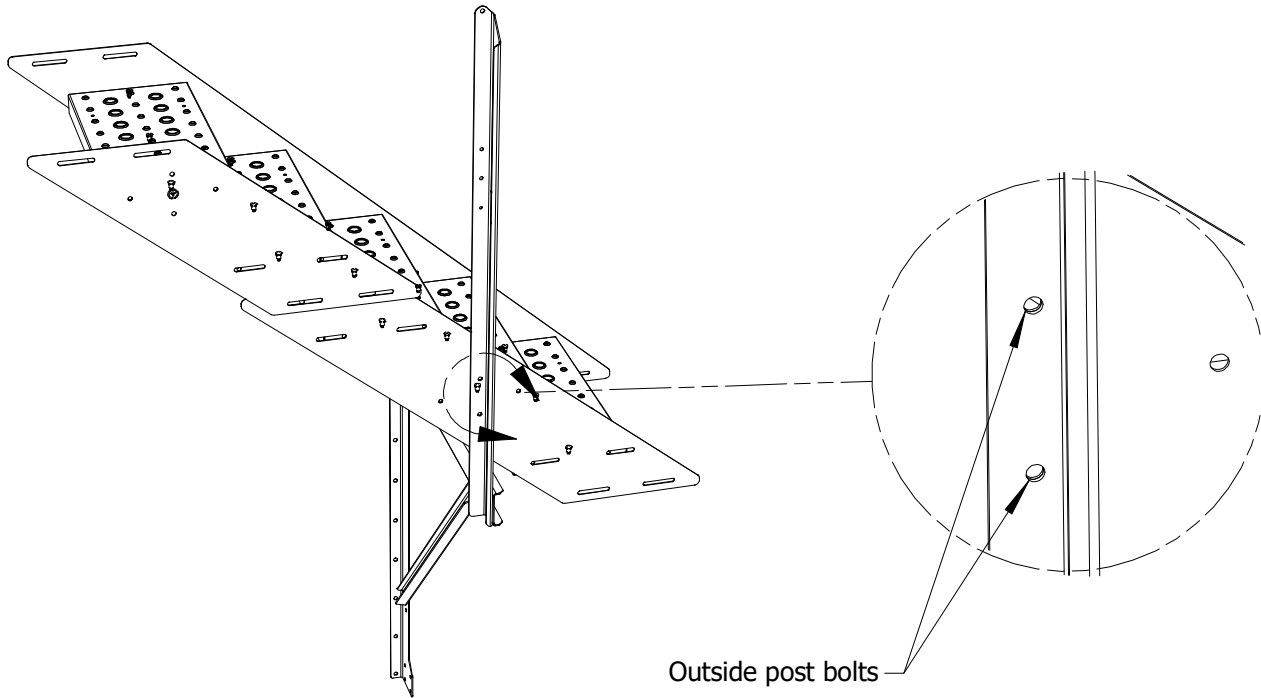
Attaching the Stair Section to the A-Frame Assembly

Attach the inside and outside posts to the siderails at the 2nd step from the bottom.

Bolt in the holes shown in detail views.

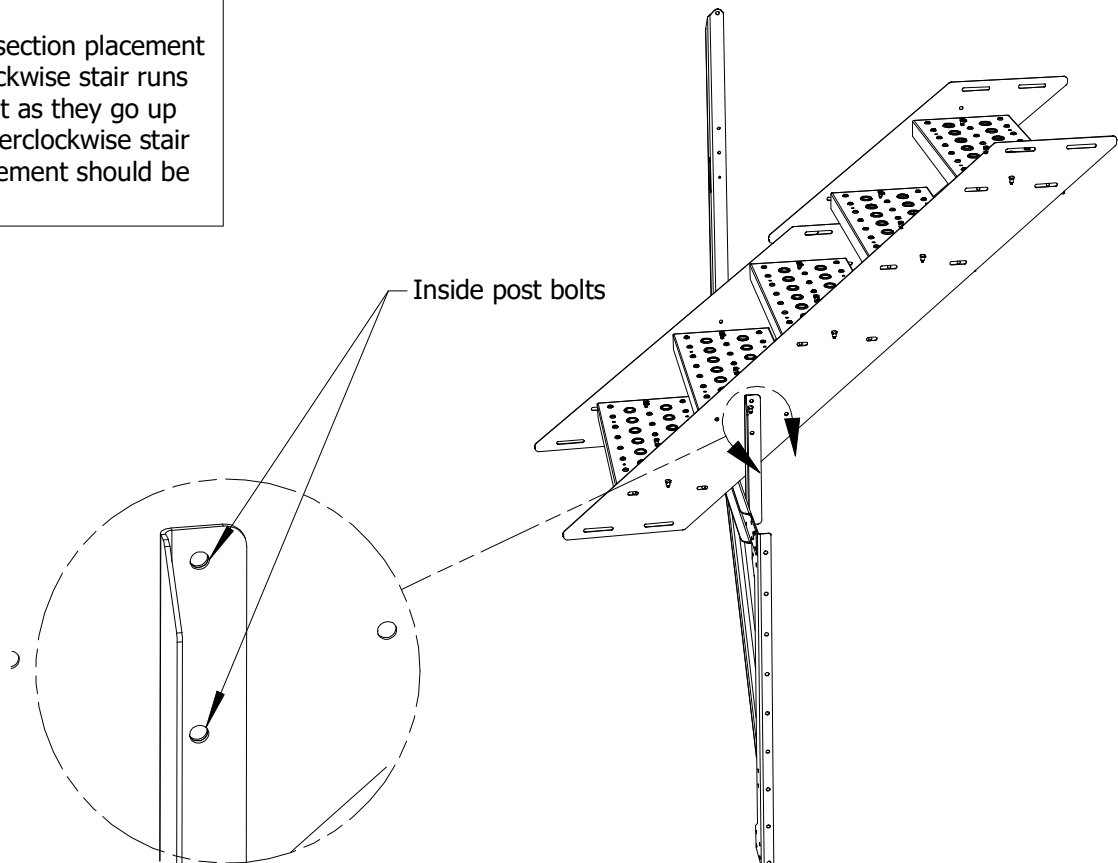


Also find Greene Galvanized Stairs on YouTube for visual aids in C-Series assembly techniques

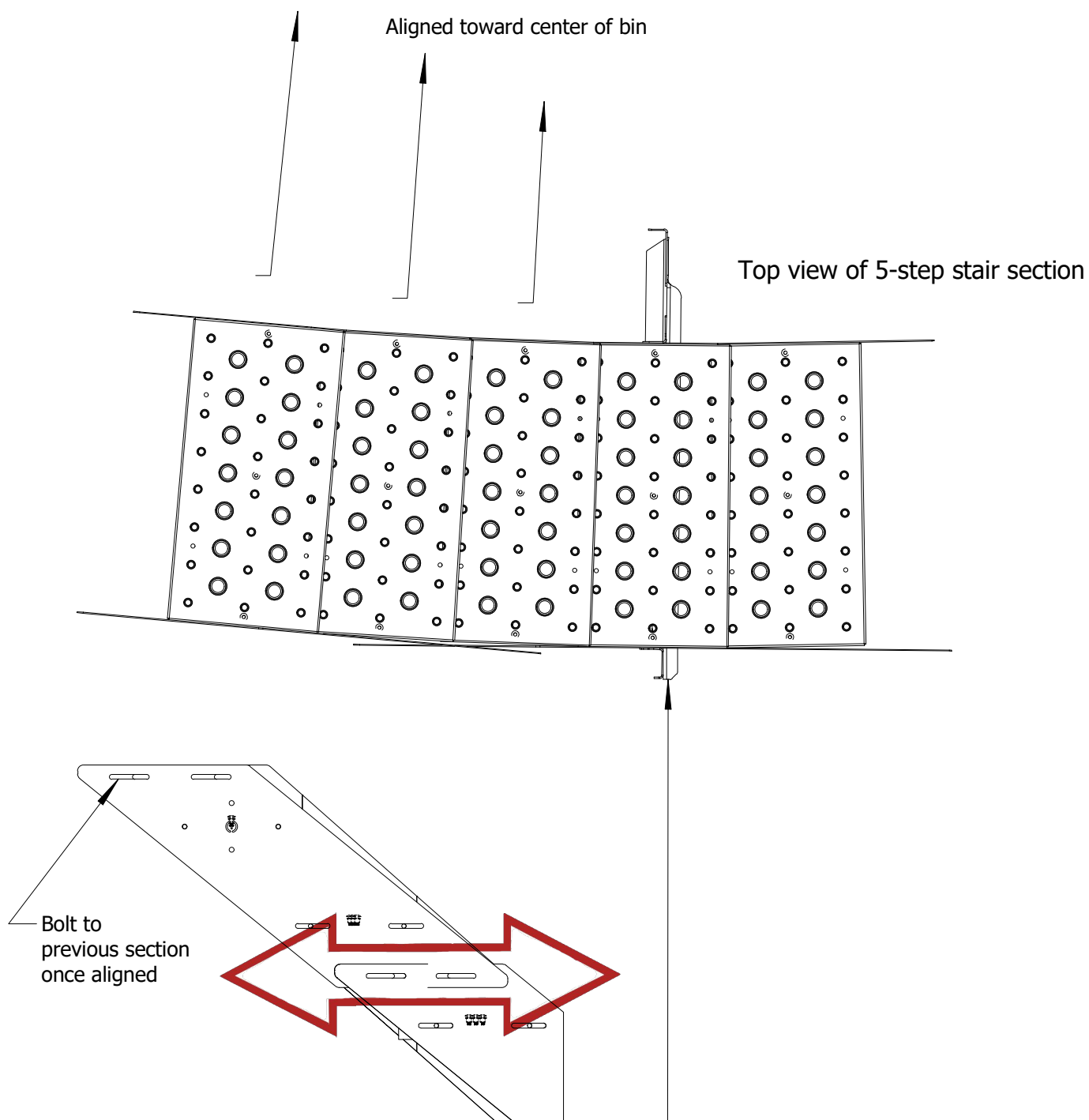


NOTE:

The depicted stair section placement corresponds to Clockwise stair runs (turning to the right as they go up the bin). For Counterclockwise stair runs, the stair placement should be mirrored.



Correct Alignment of Stair Components



The Slotted Siderail system is designed to fit a range of bin diameters.

Before the stair section bolts are tightened all the way, some adjustment should be made to "fan" the steps and align the A-frames along the radial from the bin center.

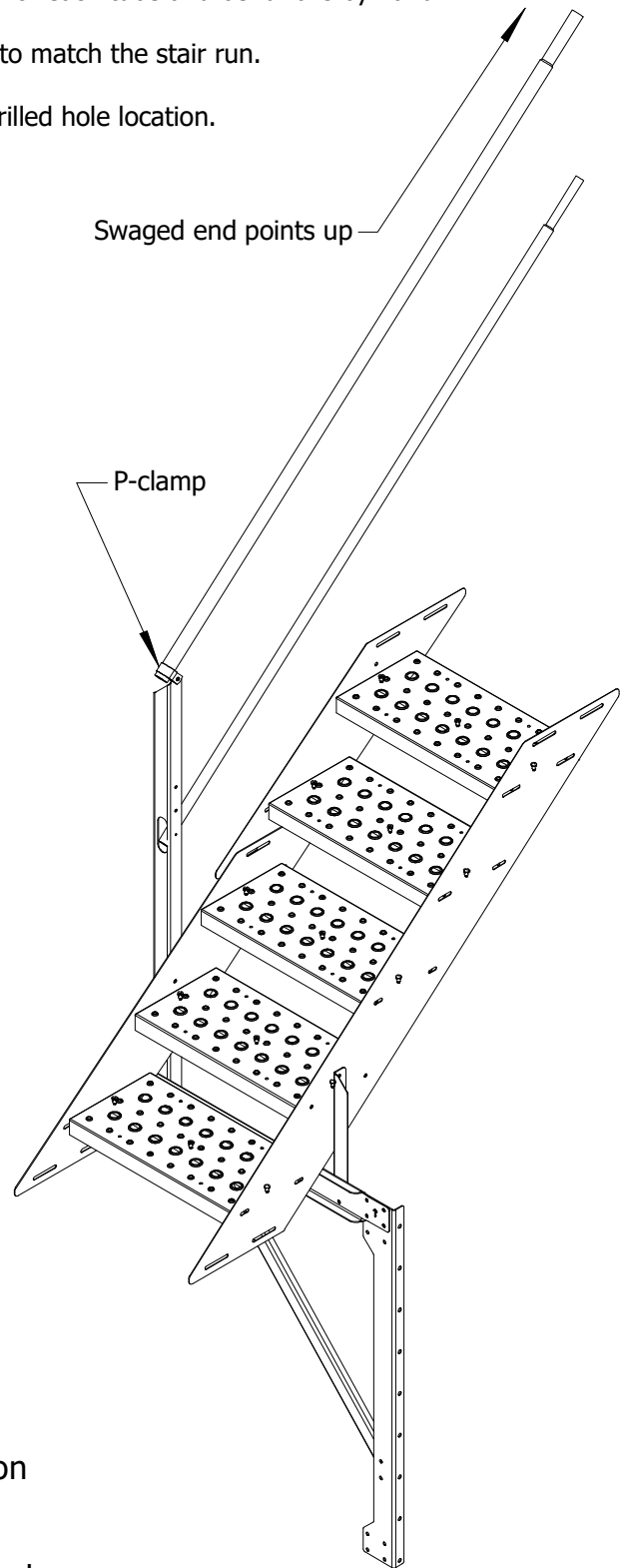
Installing Handrails

It is recommended to use a Tube Roller Former as shown in the picture; form inside rails to match bin sheet curvature, form outside rails with slightly less bend.


Alternatively, use an assembled stair section to brace one end of each tube and bend rails by hand

Bolt the 1.5" P-clamps at the top of the post and angle them to match the stair run.

Attach the midrails with 1/4" self-tapping screws at the pre-drilled hole location.



When all handrail has been connected, secure at each handrail clamp with a self-tapping screw through the bottom of the clamp into the tube.

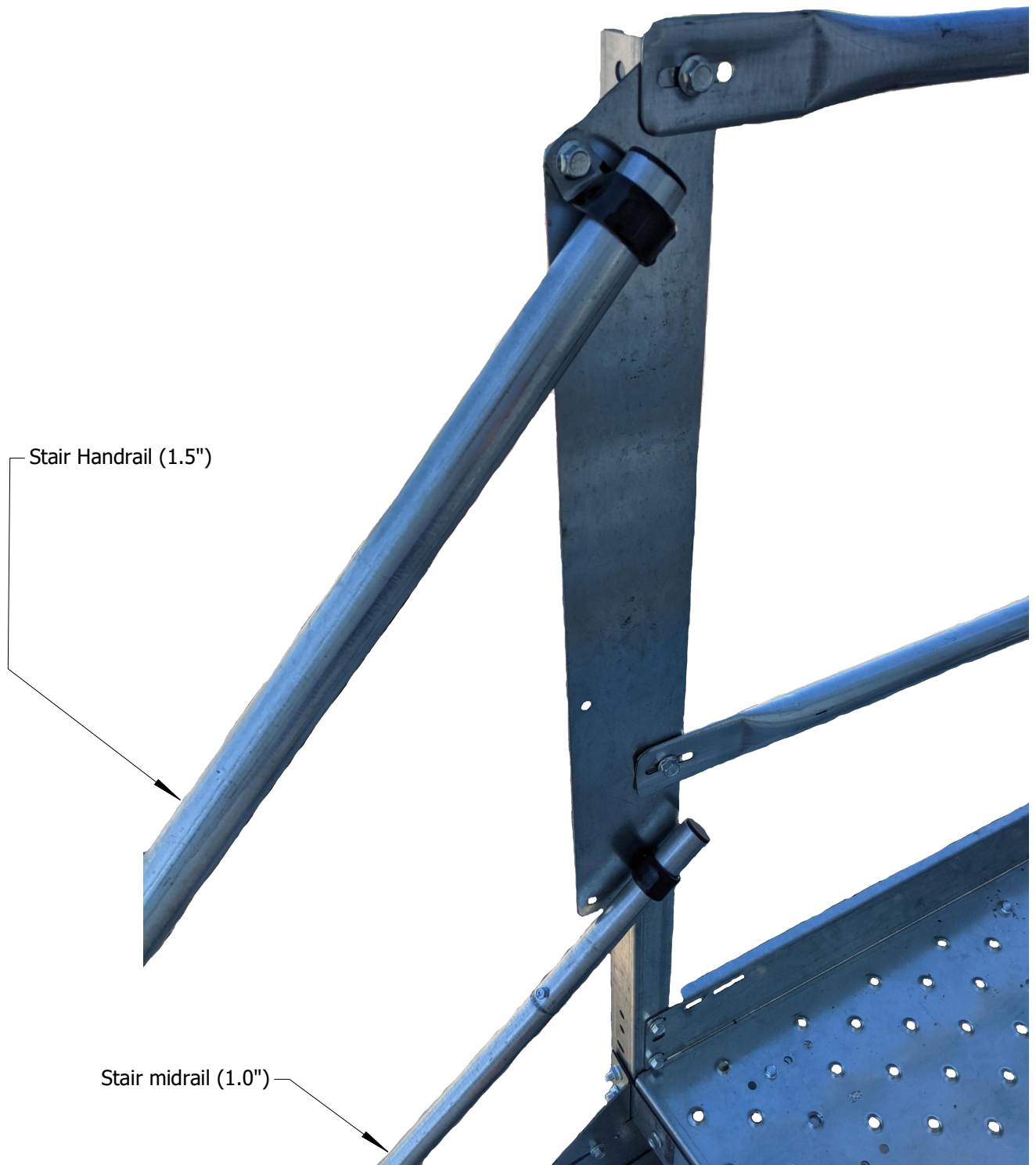
For more information and instructional videos on handrail installation and using a tube roller, go to our website at greenestairs.com and look for the  YouTube channel link.

Handrail Transition at Platform

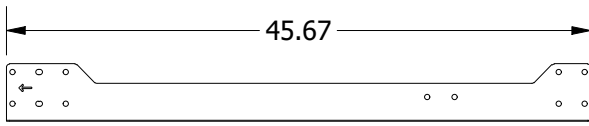
Use the flat plate on the outside platform post to attach the stair handrail and midrail with P-clamps

There are holes provided but it may be necessary to field-drill additional mounting locations

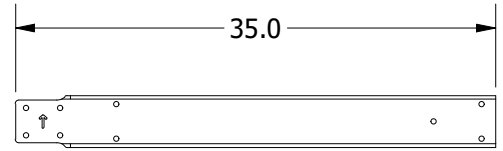
Field cut handrail to length and insert pipe caps to protect pipe interior



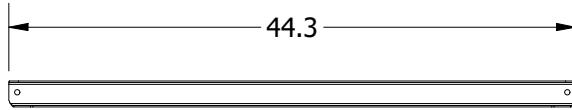
CF4600 Parts ID



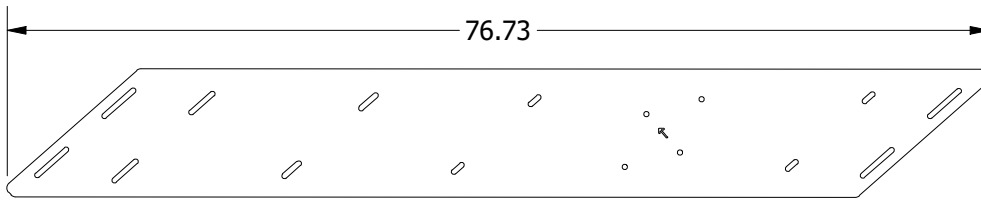
CS-42661



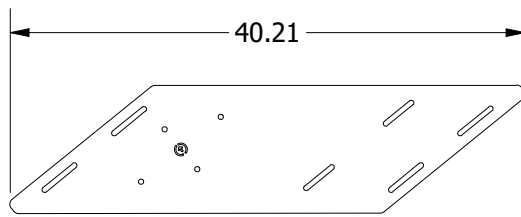
CS-40002



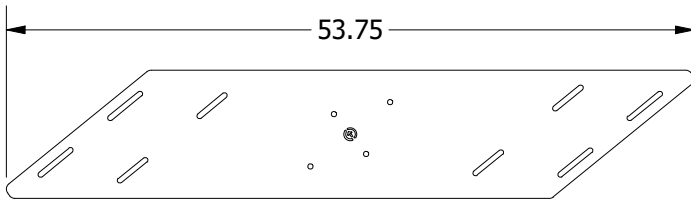
CS-32002



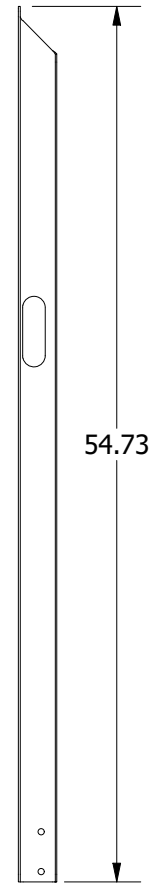
CS-42675



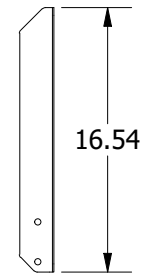
CS-42677



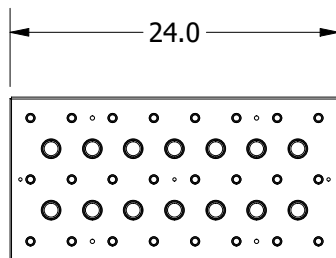
CS-42678



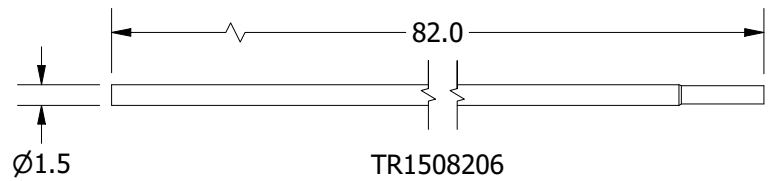
CS-F40011



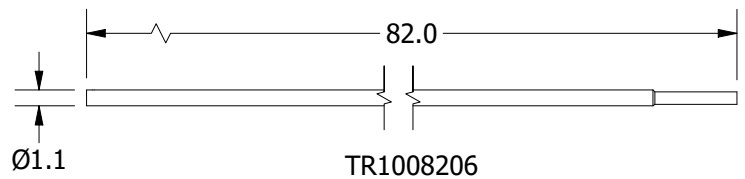
CS-F40001



CS41224

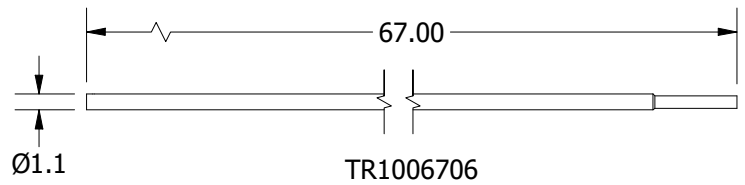
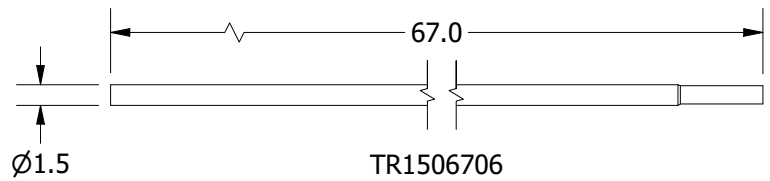
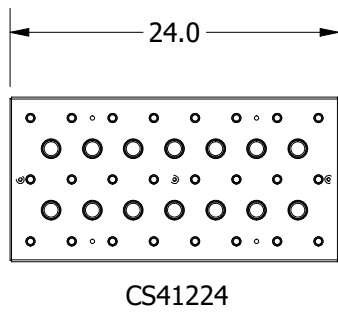
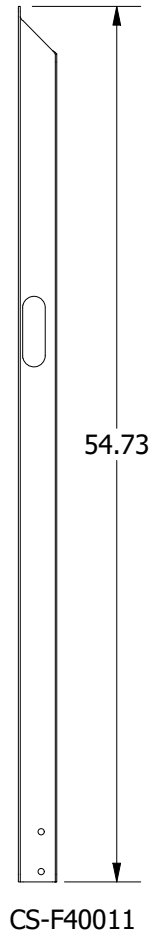
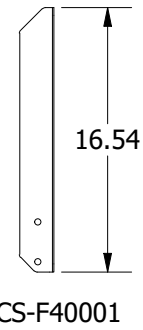
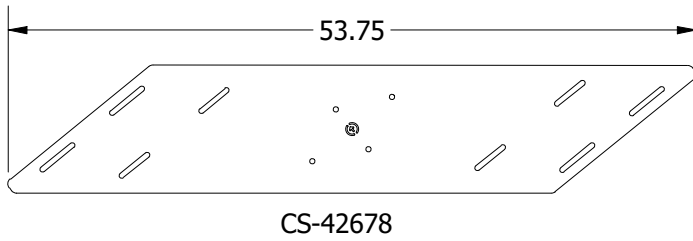
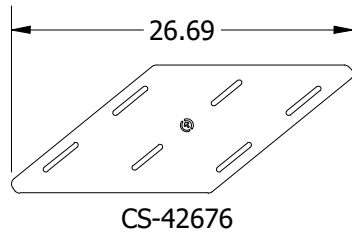
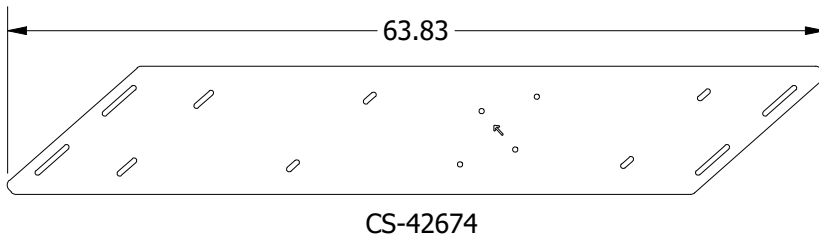
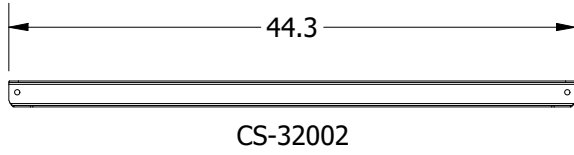
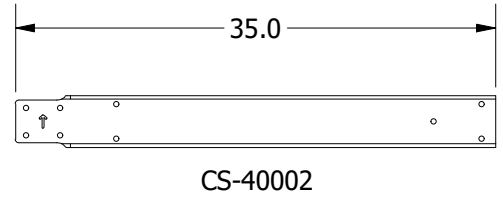
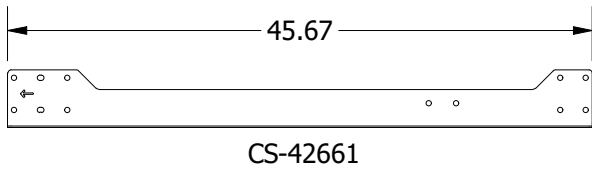


TR1508206



TR1008206

CF4604 Parts ID



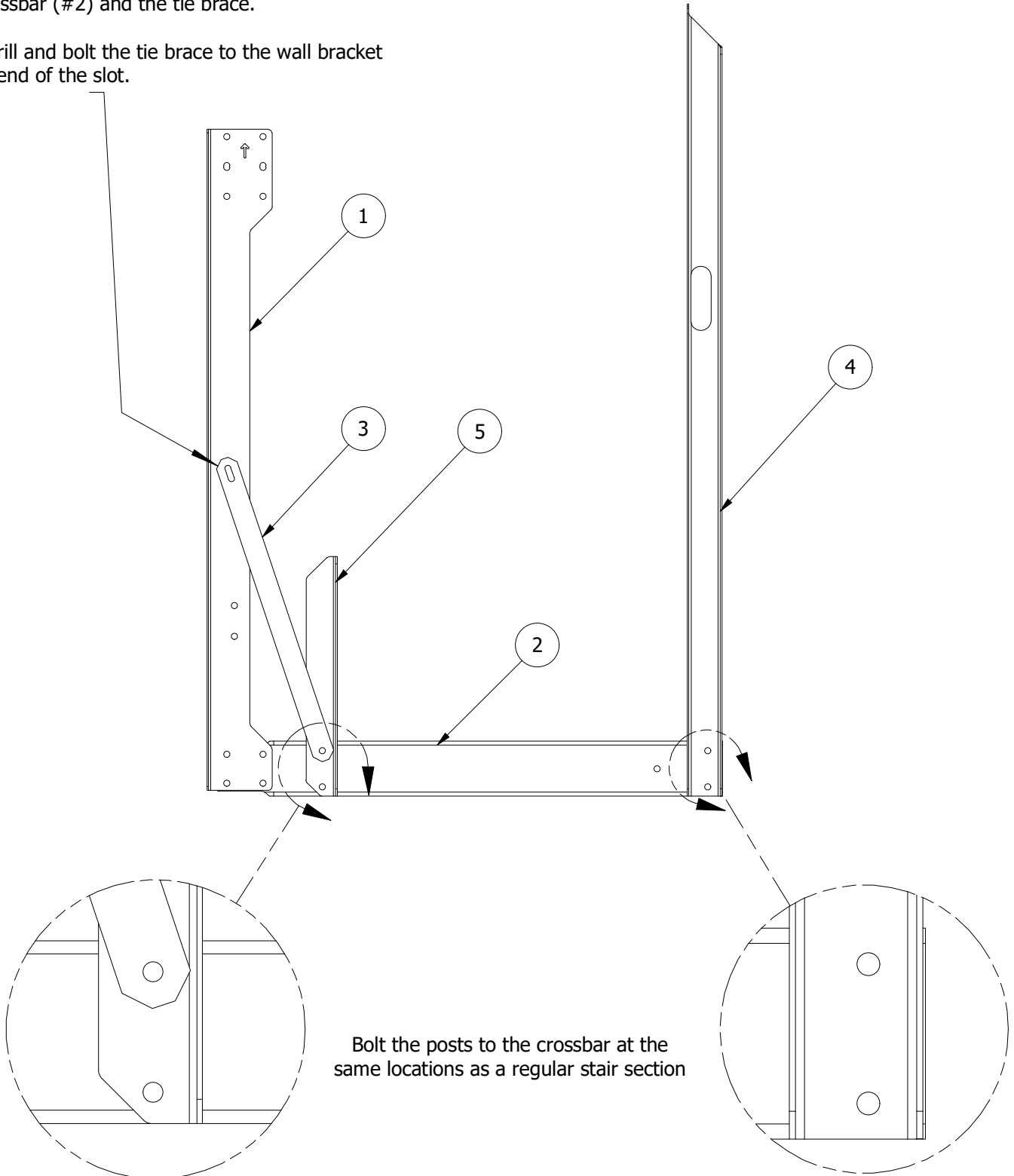
A-Frame Bottom Section

The bottom stair section is mounted to a modified A-frame assembly, shown here.

A tie brace (#3) is packed with the top platform.
The inside post (#5) should be attached between the crossbar (#2) and the tie brace.

Field drill and bolt the tie brace to the wall bracket at the end of the slot.

PARTS LIST			
ITEM	QTY	PART NUMBER	DESCRIPTION
1	1	CS-42661	Bracket, Wall, 42.67" ring
2	1	CS-40002	Channel, Crossbar
3	1	AS-40004	Bracket, Tie Brace
4	1	CS-F40011	Post, Stair Rail, Outside
5	1	CS-F40001	Post, Stair, Inside

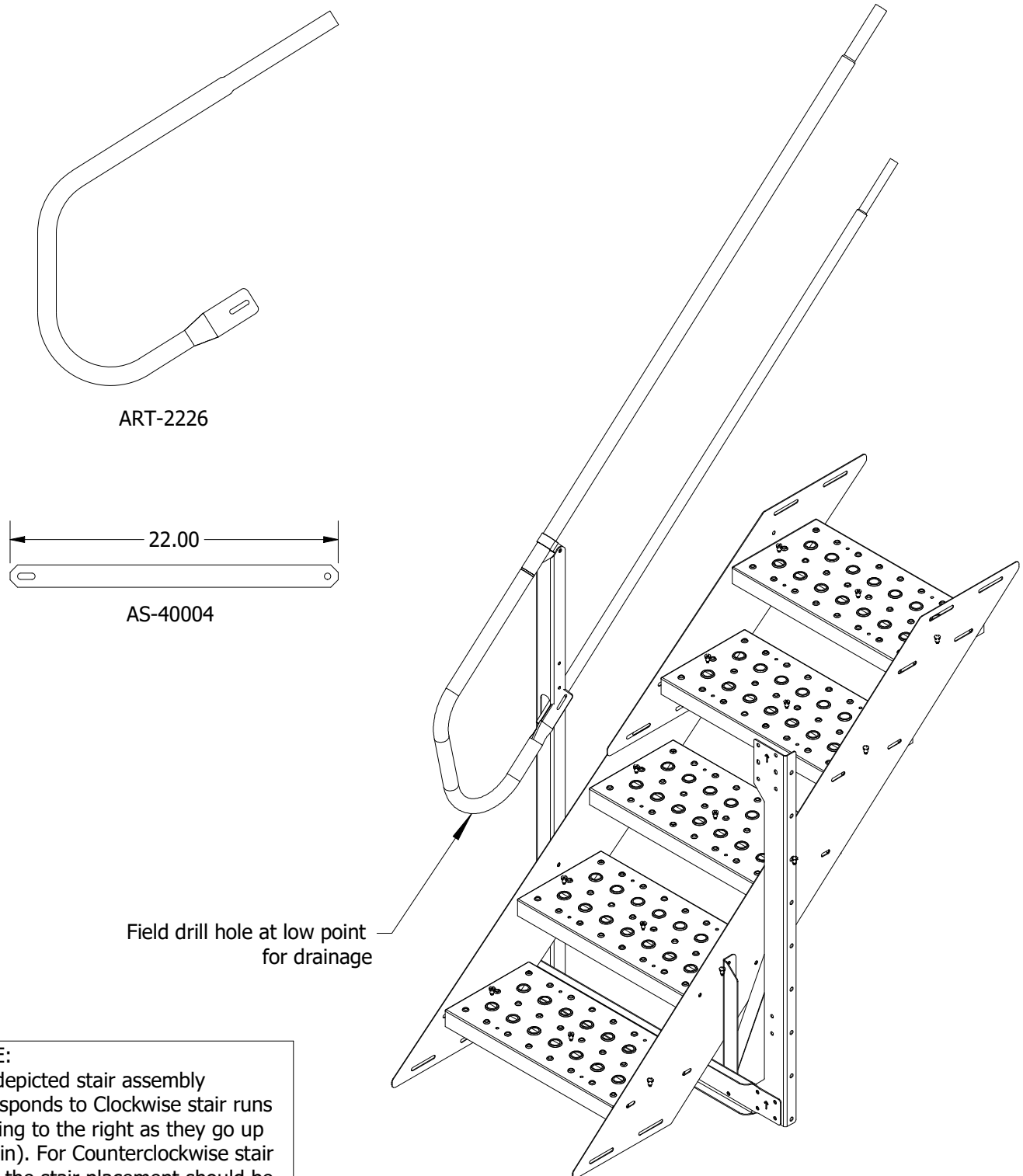


Bottom Stair Section Assembly

The AS-40004 tie brace and ART-2226 bottom end rail are included in the top platform package.

Install the bottom end rail into the stair handrail. Attach the flattened end to the stair post as shown.

Drill a hole at the lowest point for drainage.

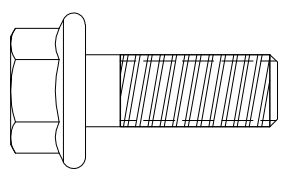
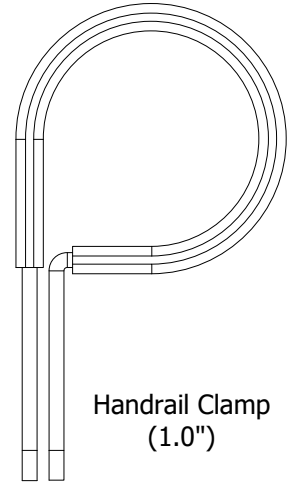


NOTE:

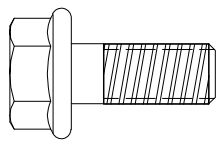
The depicted stair assembly corresponds to Clockwise stair runs (turning to the right as they go up the bin). For Counterclockwise stair runs, the stair placement should be mirrored.

Hardware

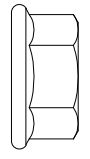
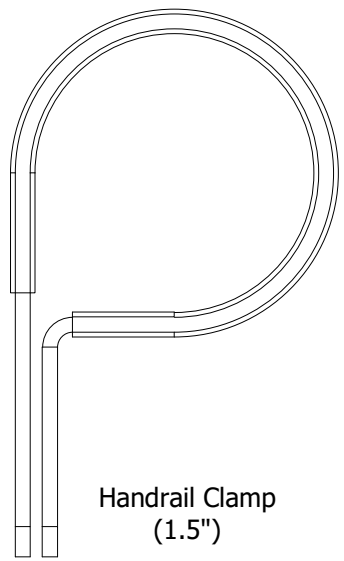
Hardware List	
ITEM	DESCRIPTION
3/8 x 1 Bin Bolt	3/8"-16 x 1" Bin Bolt (wall brackets to bin wall)
PC-1500	1.5" friction Pipe Cap
PC-1000	1" friction Pipe Cap
3/8-16SFN	3/8"-16 Whiz Lock Nut
3/8-16x1SFB	3/8"-16 x 1" Flange Bolt (default stair assembly bolt)
5/16-18SFN	5/16"-18 Whiz Lock Nut
5/16-18x3/4FB	5/16"-18 x 3/4" Flange Bolt (platform surface bolt)
Self-tapping Screw	#12-14 x 3/4" Screw (to secure handrail at clamps)
1/4-14x1STS	1/4"-14 x 1" Self Tap Screw (midrail connection at post)
HRC1500	Handrail Clamp for 1.5 in
HRC1000	Handrail Clamp for 1.0 in



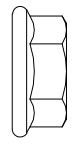
3/8"-16 x 1" Flange Bolt



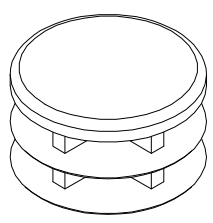
5/16"-18 x 3/4 Flange Bolt



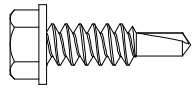
3/8"-16 Whiz Lock Nut



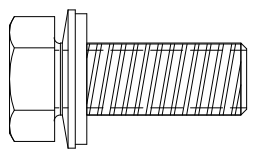
5/16"-18 Whiz Lock Nut



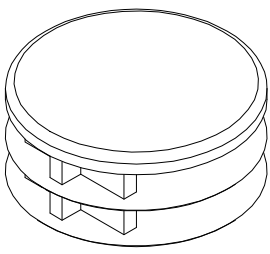
PC-1000 Pipe Cap



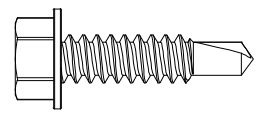
#12-14 x 3/4" Screw



3/8"-16 x 1" Bin Bolt



PC-1500 Pipe Cap



1/4"-14 x 1" Self Tap Screw