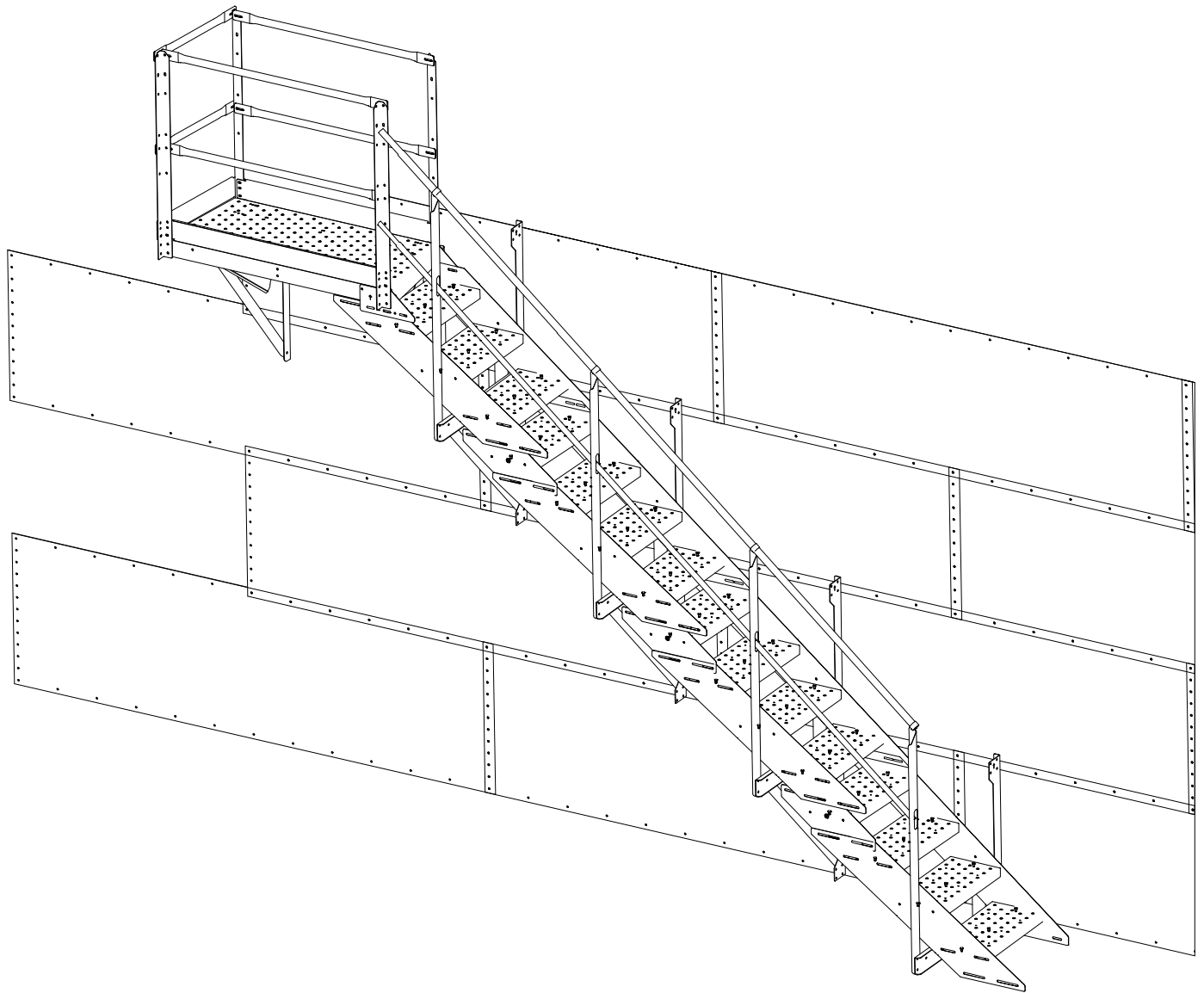


C-Series Sidewall Stairs

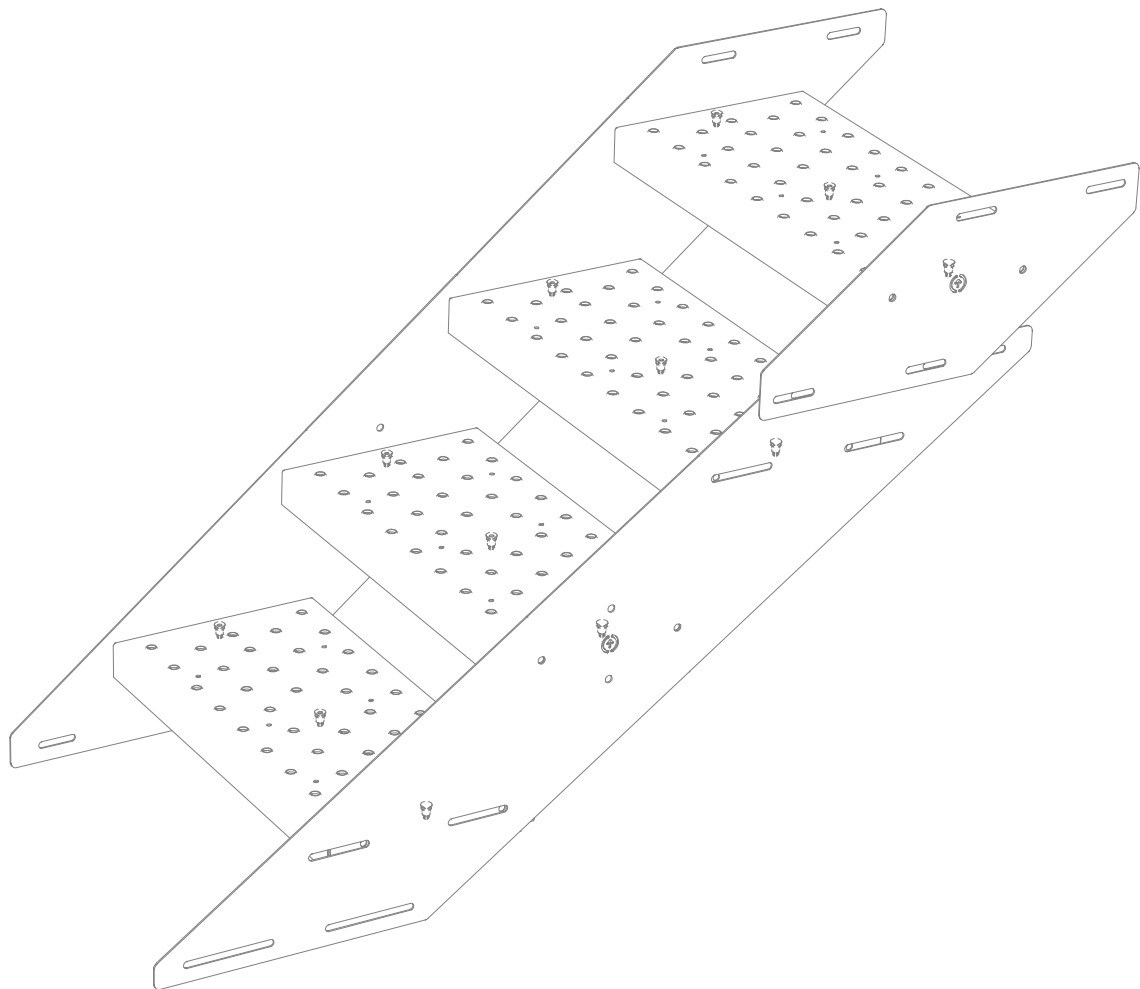
32" Farm Assembly Instructions



C-Series Sidewall Stairs Farm Duty, 32"

Document Guide

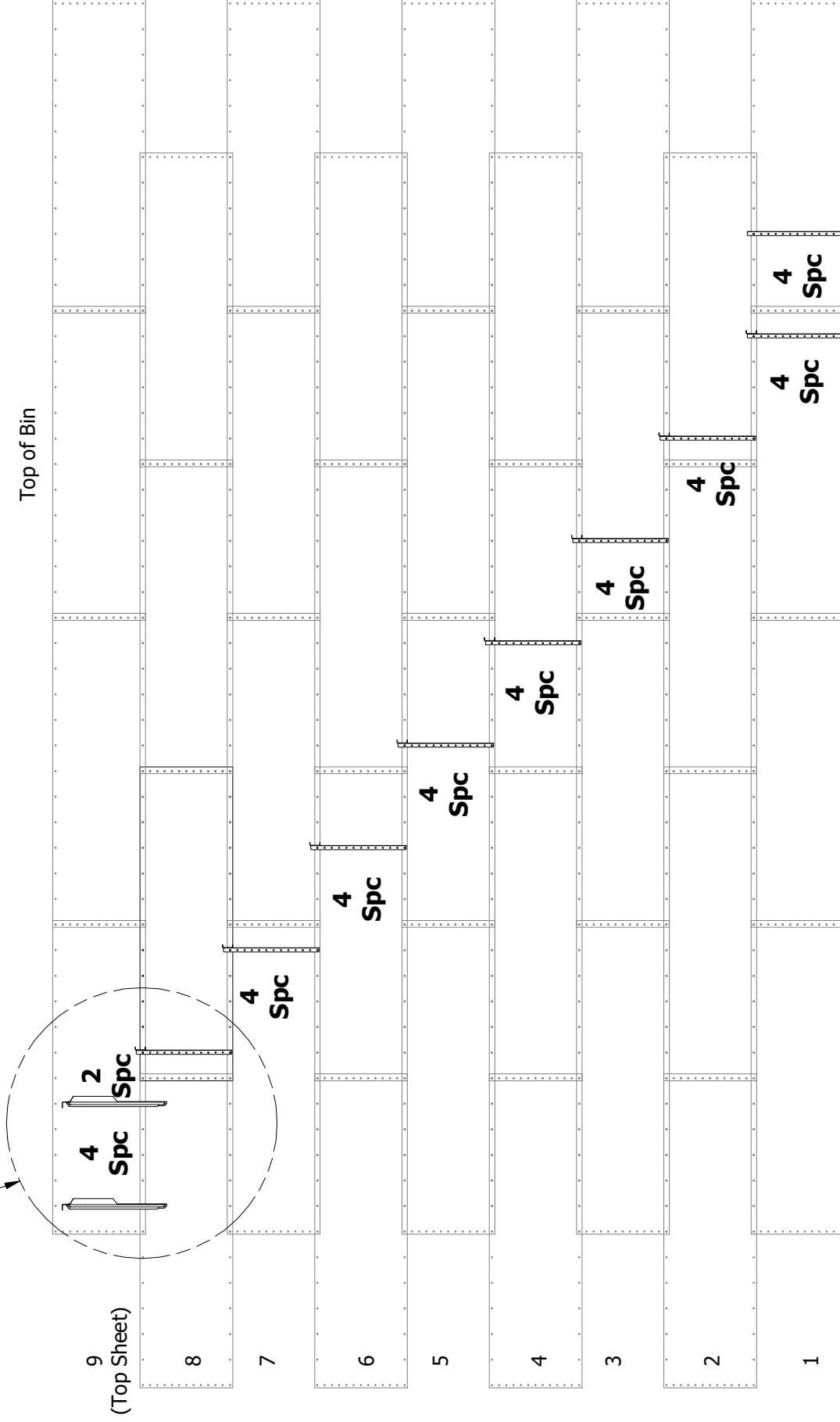
Wall Bracket Layouts.....	3
Eave Platform detail.....	5
Platform Components & Assembly.....	8
Platform handrail.....	15
Stair section A-frame.....	18
4-Step Stair Section.....	21
Stair Handrail.....	25
3-Step Stair section.....	26
Bottom Wall Bracket.....	28



Updated April 2022

C-Series Farm 32" Sidewall Stairs,
Wall Bracket Layout, 9-Ring Bin Shown

See Top Platform Detail
(page 5)



Overall Run Distance can be determined using this formula (single-punched bin sheets):

Bolt Spaces: $2 + 4 \times \text{ring count} = \text{Total Bolt Spaces}$

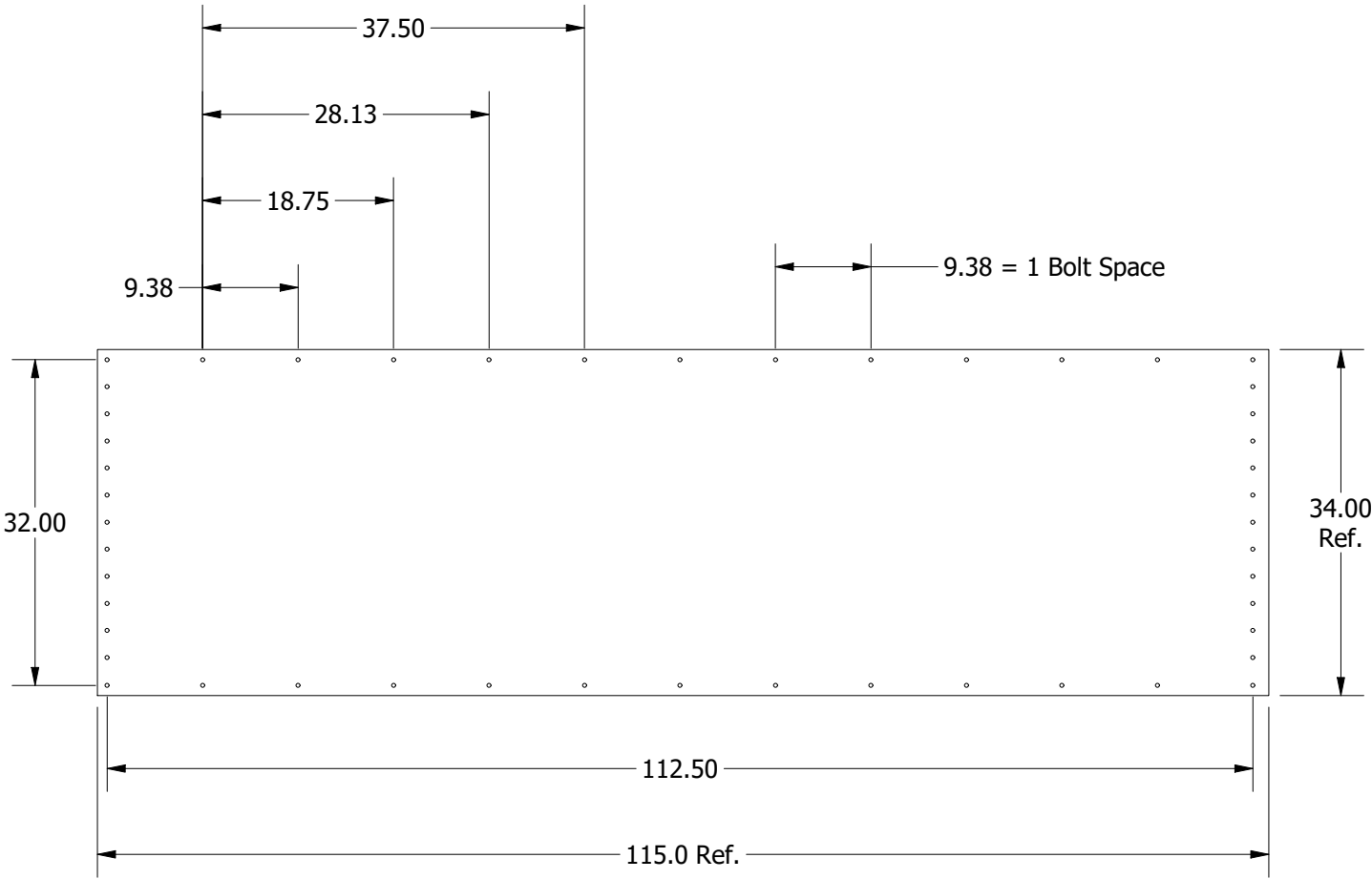
Bin sheets = $\text{Total bolt spaces} / 12$

32" Standard Bin Sheet Bolt Spacing

- A "bolt space" as used in the instruction manual is the center to center distance between two bolt holes on a standard single punched bin sheet.
- The horizontal bolt spacing on a standard 32" narrow bin sheet is 9 3/8".
- The actual chord length of the space will vary slightly from 9 3/8", depending on the bin diameter.

Note

On commercial bins and some farm bins, the holes may be double punched, which will change the bolt count. The hole punch pattern / spacing must be verified to ensure the correct layout.

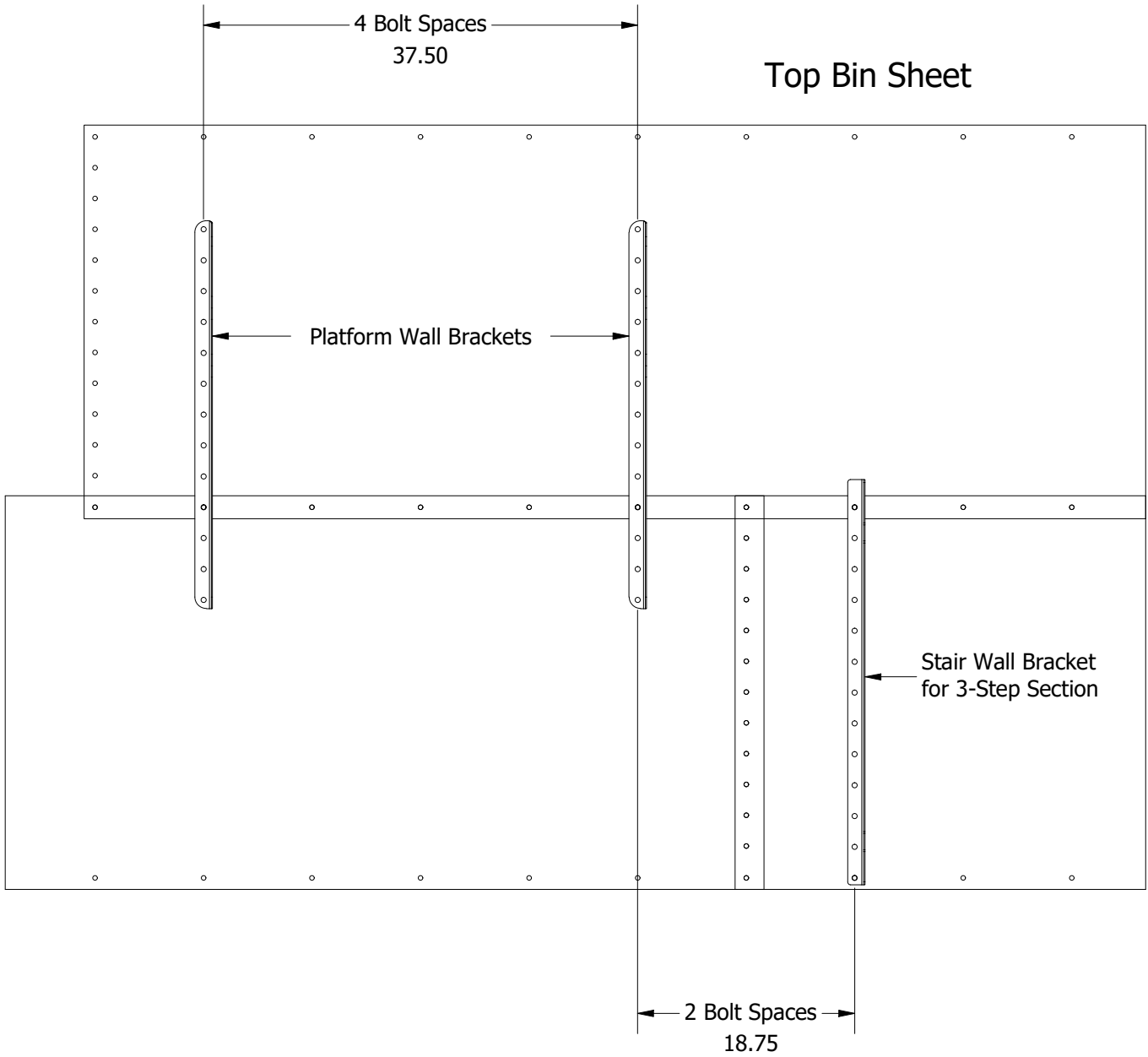


Bin Sheet Dimensions

Platform Wall Bracket Horizontal Bolt Spacing, C-Series Farm 32" Long Platform, 4" Below Eave

The horizontal spacing between the long eave platform wall brackets is 4 bolt spaces (37-1/2").

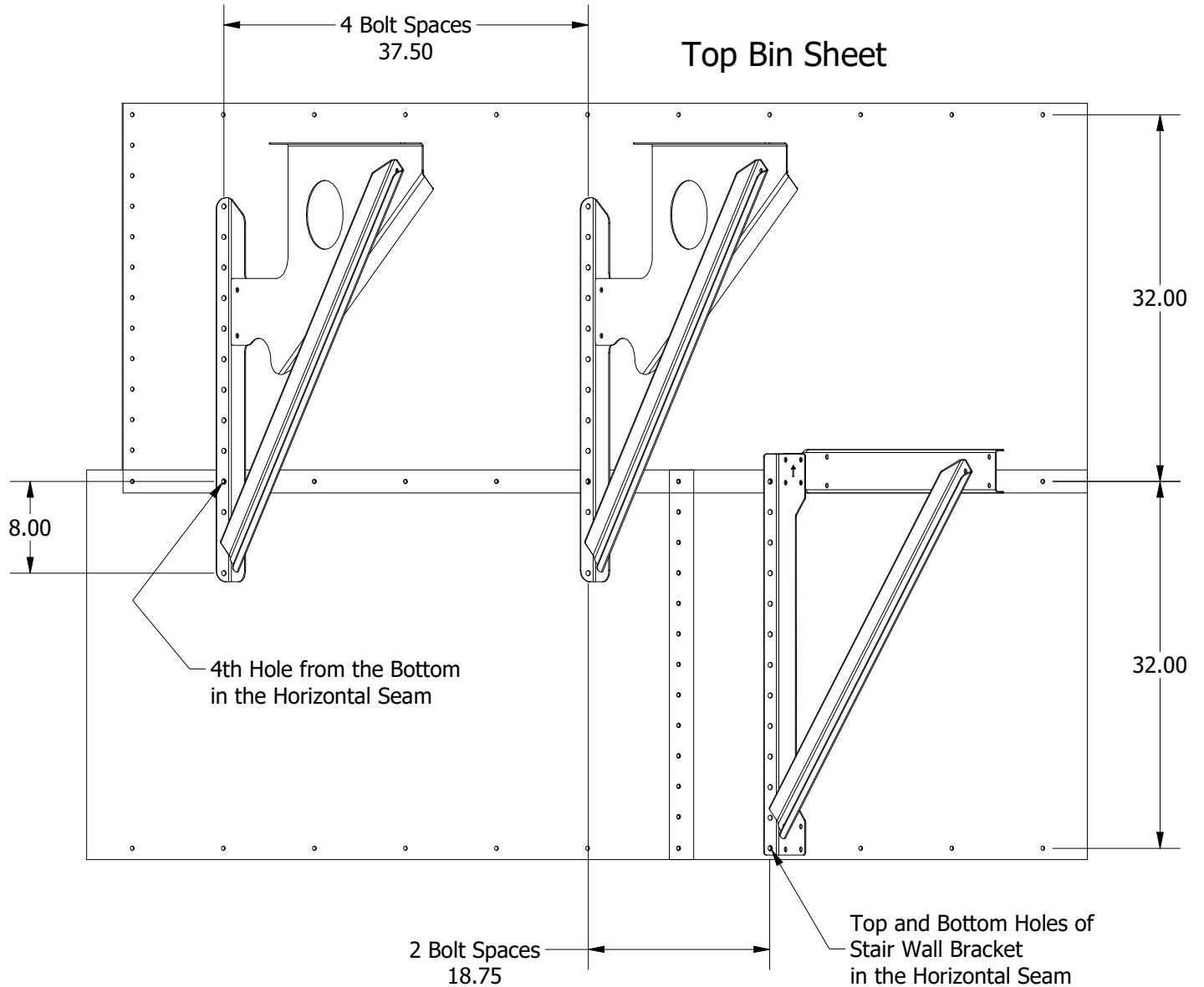
The horizontal spacing from the platform wall bracket to the 3-step stair wall bracket is 2 bolt spaces (18-3/4").



Platform Wall Bracket Horizontal Bolt Spacing, C-Series Farm 32" Long Platform, 4" Below Eave

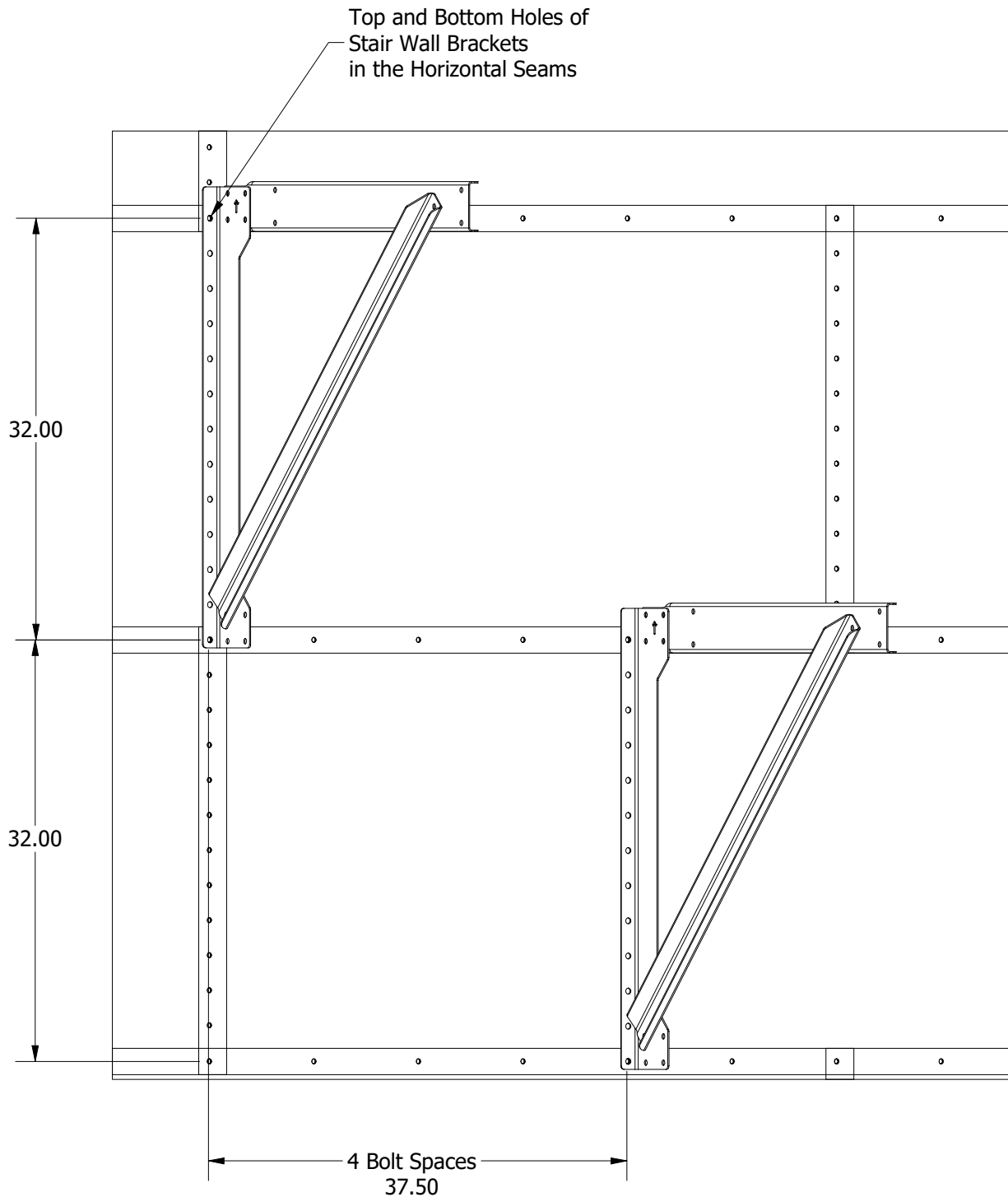
The horizontal spacing between the long eave platform wall brackets is 4 bolt spaces (37-1/2").

The horizontal spacing from the platform wall bracket to the 3-step stair wall bracket is 2 bolt spaces (18-3/4").



Stair Wall Bracket Horizontal Bolt Spacing, 32" Long Roof Stair Platform

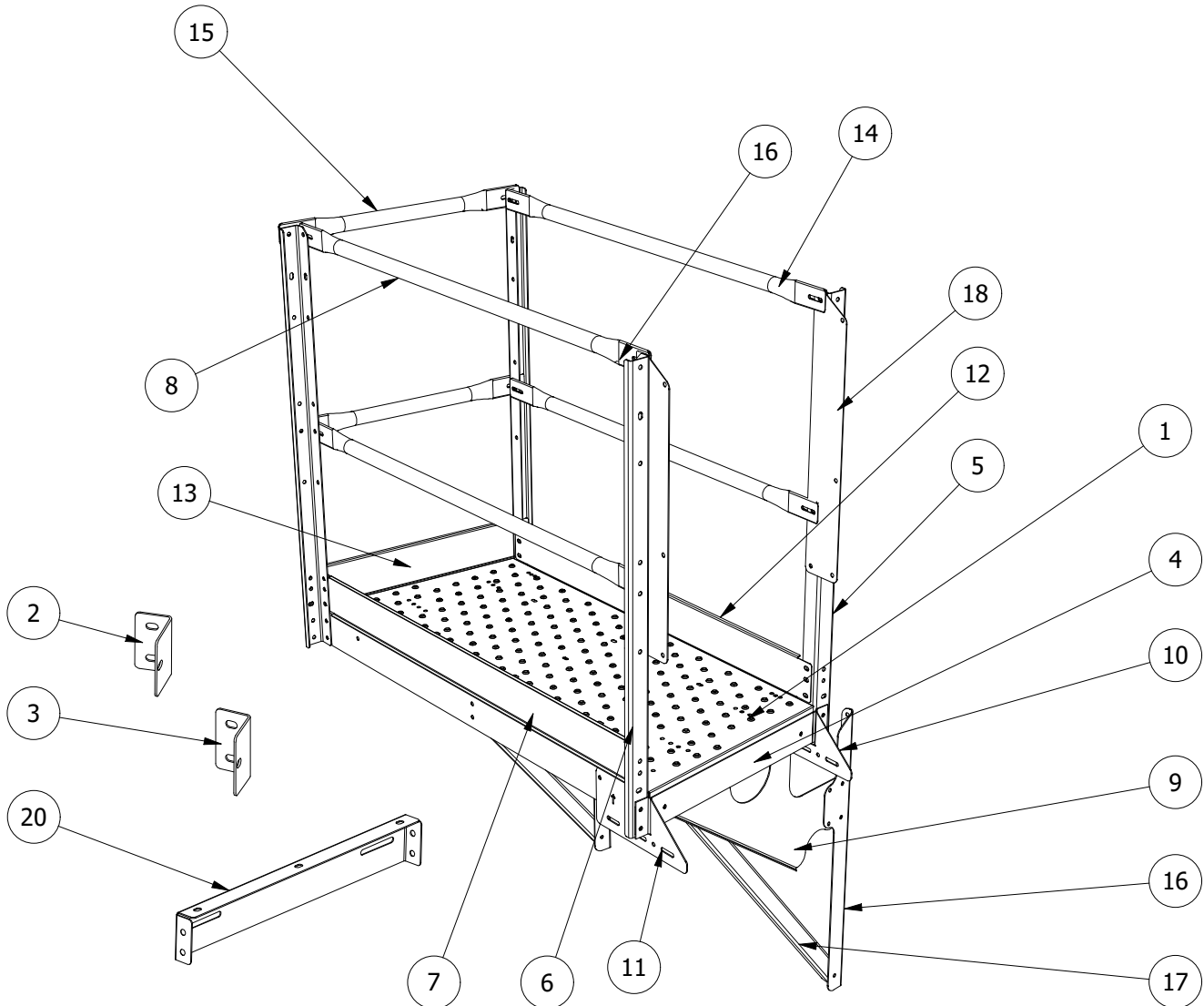
The horizontal spacing between the 4-step stair section wall brackets is 4 bolt spaces (37-1/2"), and is consistent the remainder of the way down the bin, unless using a rest landing.



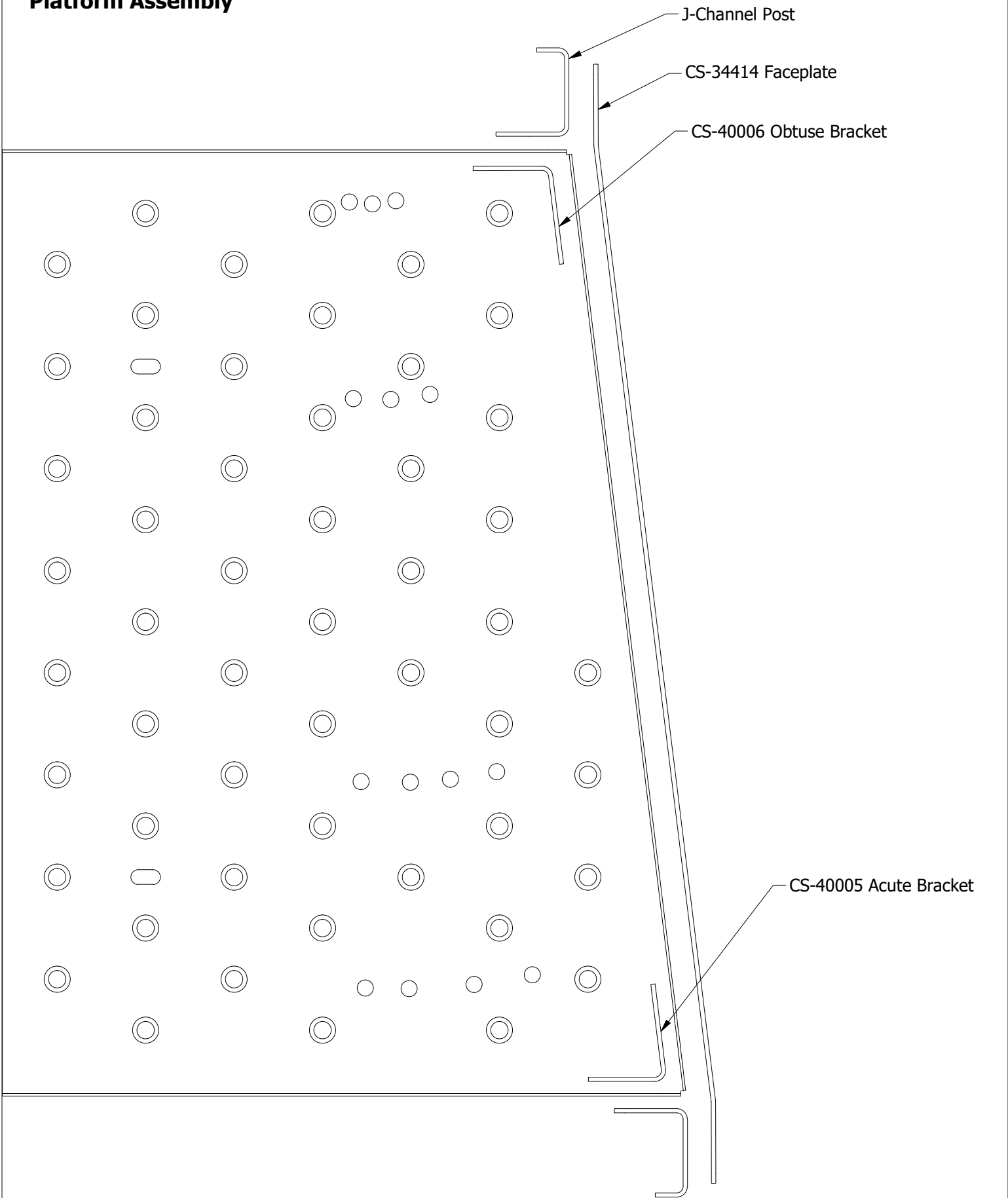
**CF3532L Parts List,
C-Series Farm 32"**

Roof Stair Platform

PARTS LIST			
ITEM	QTY	PART NUMBER	DESCRIPTION
1	1	CS-F30001	Tread, Platform, Long, Trapezoid 55x24
2	2	CS-40005	Bracket, Brace, Acute
3	2	CS-40006	Bracket, Brace, Obtuse
4	2	CS-34414	Bracket, Faceplate
5	2	CS-34404	Angle, Post, J-channel, Right
6	2	CS-34501	Angle, Post, J-channel, Left
7	1	CS-34406	Channel, Kickboard, Outside Long
8	2	TRS1505400	54" long 1.5 in tube railing slotted end tabs
9	2	CS-34402	Brace, Plate, Platform
10	1	CS-40410	Lower Stringer Extension, Right
11	1	CS-40411	Lower Stringer Extension, Left
12	1	CS-34407	Channel, Kickboard, Inside Long
13	1	CS-34408	Channel, Kickboard, End
14	2	TRS1504800	48 Long 1.5 in tube railing slotted end tabs
15	2	TRS1502800	28 Long 1.5 in tube railing slotted end tabs
16	2	CS-33201	Bracket, Wall, 32 Platform
17	2	CS-32002	Channel, K-Brace, C-Series
18	2	CS-30010	Bracket, Plate, Handrail
19	1	CS-3009	Bracket, Support, Platform

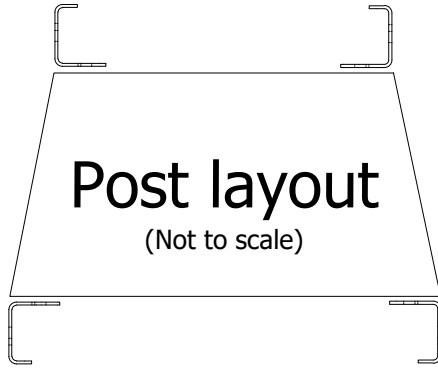


**C-Series Farm
Platform Assembly**

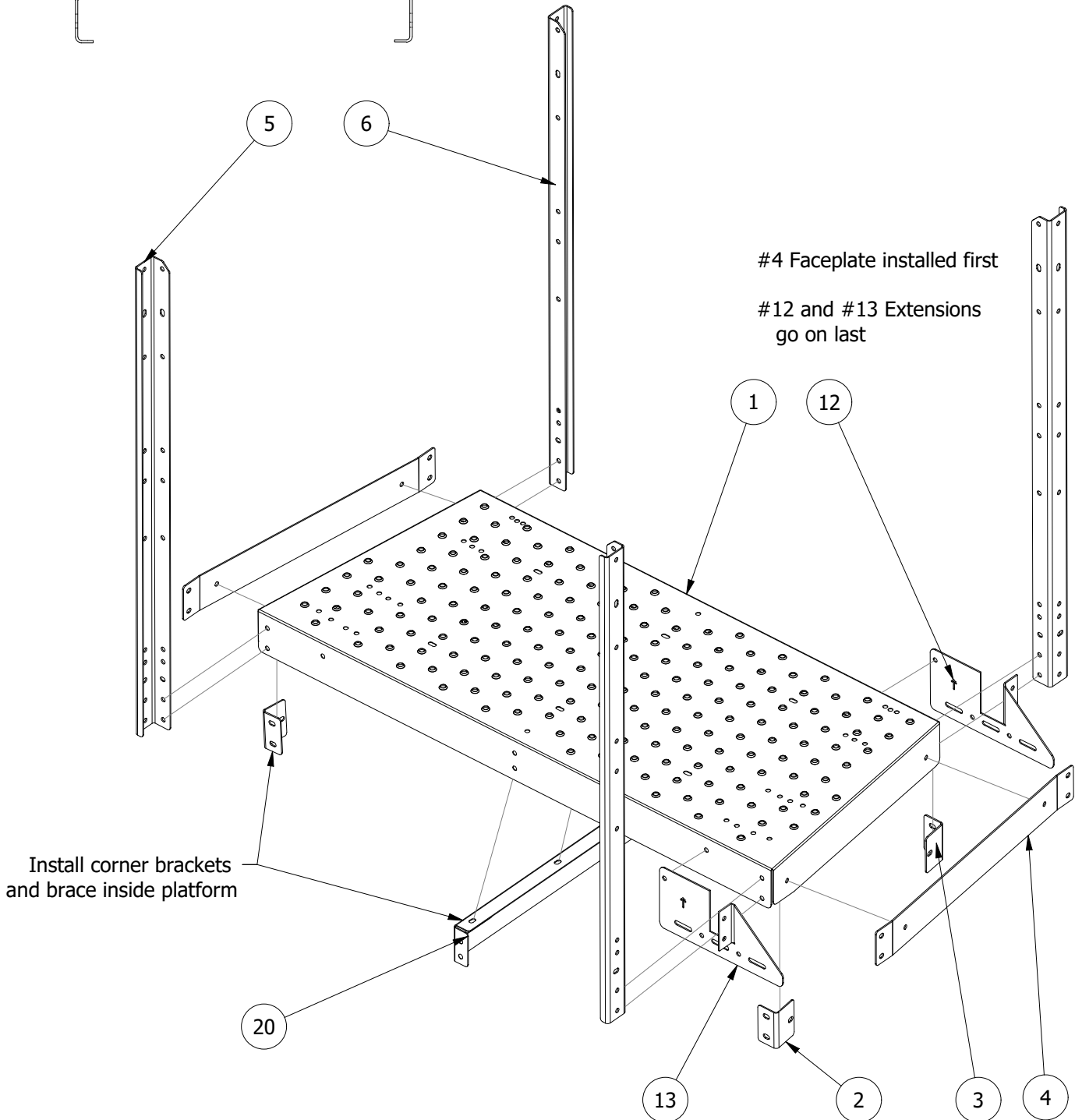


C-Series Farm Platform Assembly

Posts & Brackets

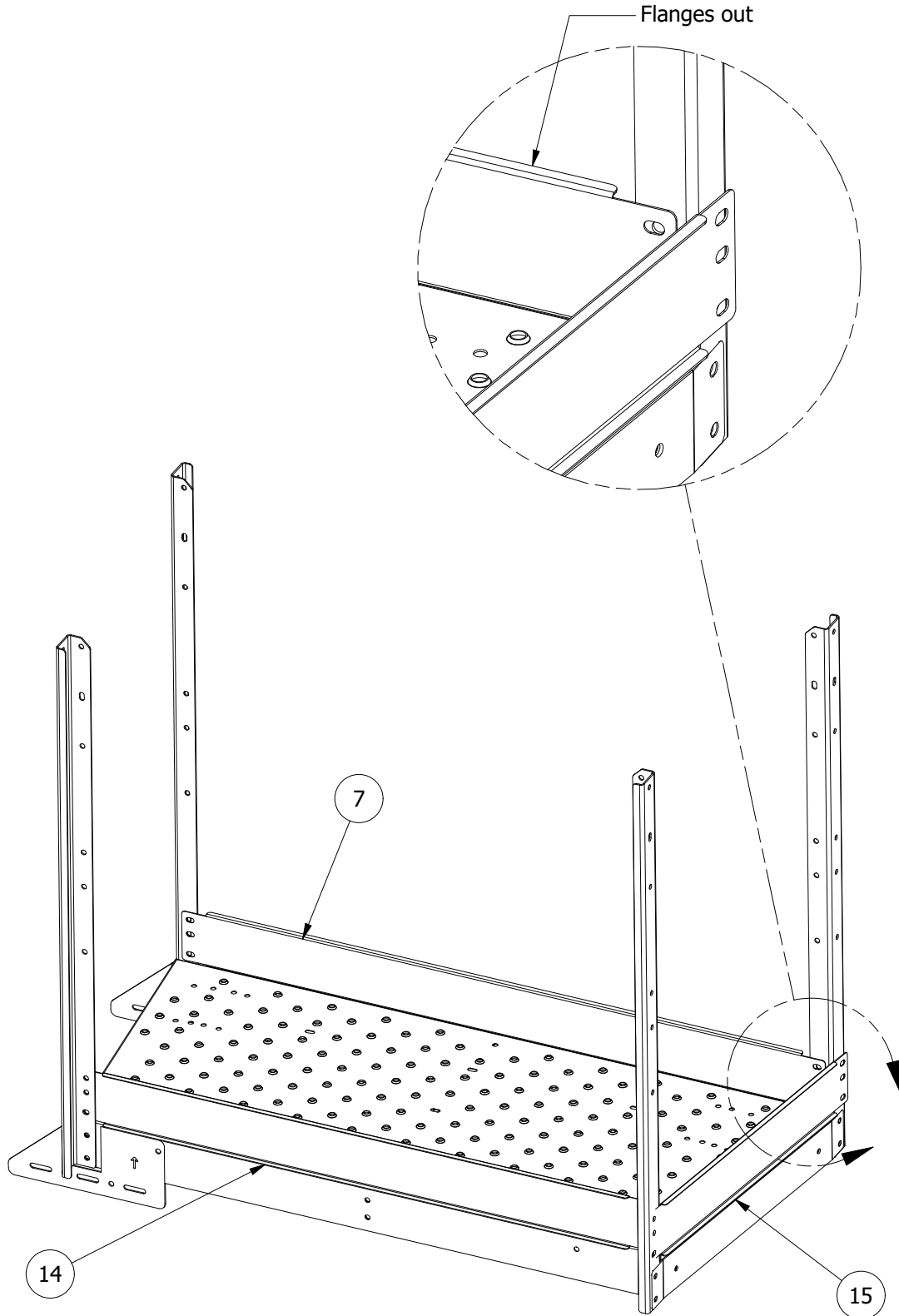


PARTS LIST			
ITEM	QTY	PART NUMBER	DESCRIPTION
1	1	CS-F30001	Tread, Platform, Trapezoid 55x24
2	2	CS-40005	Bracket, Brace, Angle, Acute
3	2	CS-40006	Bracket, Brace, Angle, Obtuse
4	2	CS-34414	Bracket, Faceplate
5	2	CS-34500	Angle, Post, J-channel, Right
6	2	CS-34501	Angle, Post, J-channel, Left
12	1	CS-40410	Lower Stringer Extension, Right
13	1	CS-40411	Lower Stringer Extension, Left
20	1	CS-3009	Bracket, Support, Platform



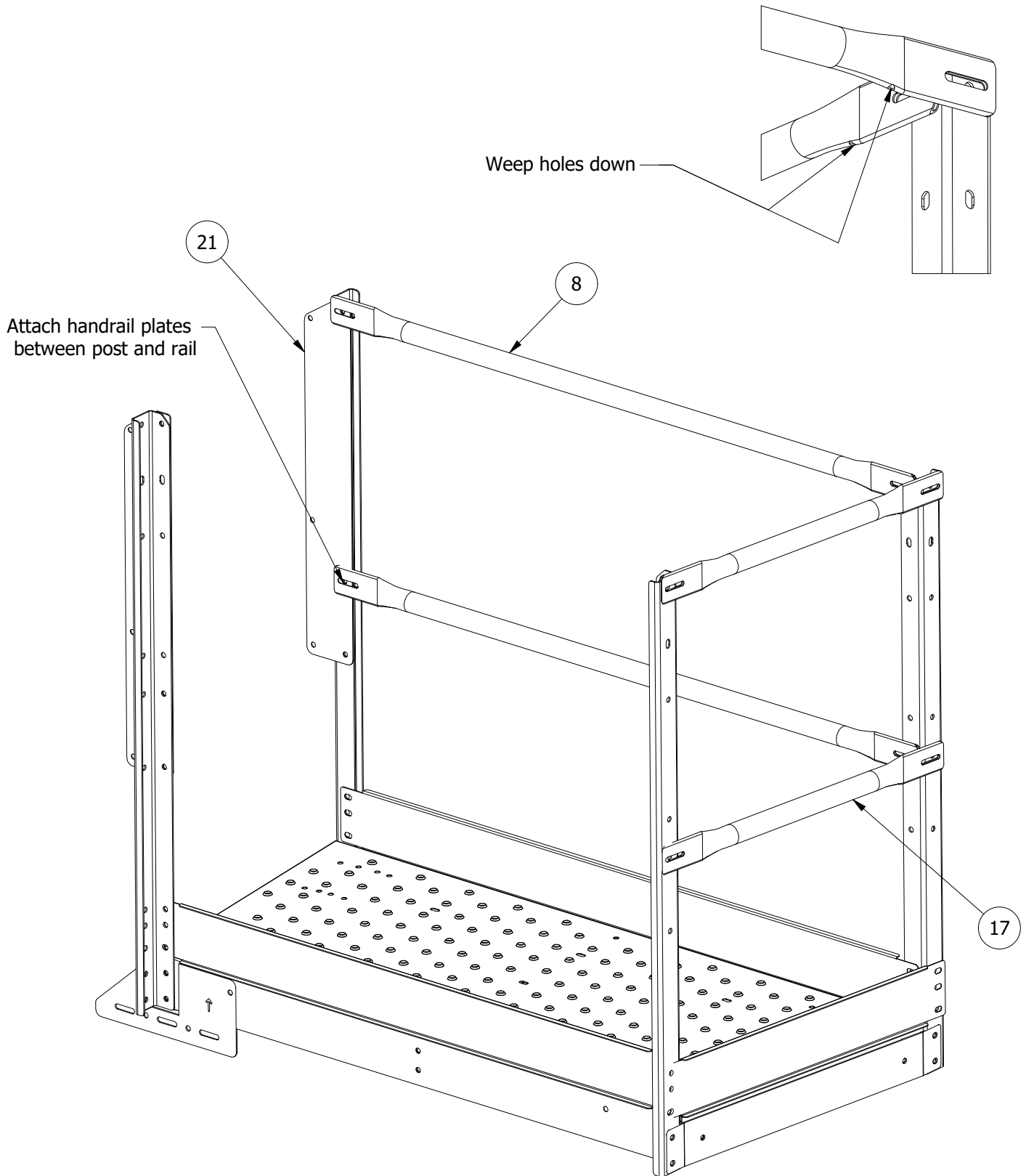
**C-Series Farm
Platform Assembly
Kickboards**

PARTS LIST			
ITEM	QTY	PART NUMBER	DESCRIPTION
7	1	CS-34406	Channel, Kickboard, Outside Long
14	1	CS-34407	Channel, Kickboard, Inside, Long
15	1	CS-34408	Channel, Kickboard, End



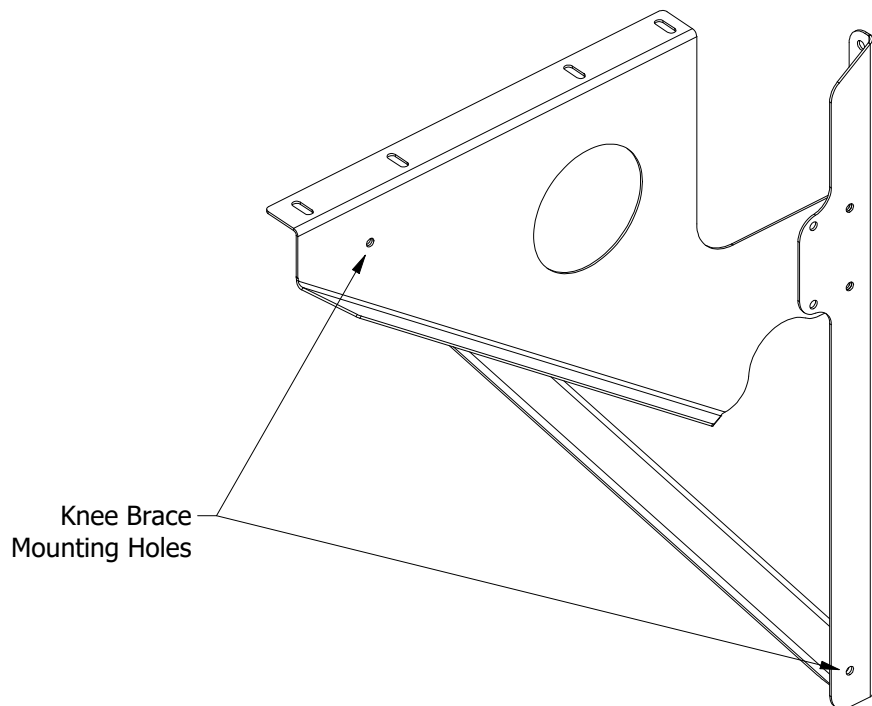
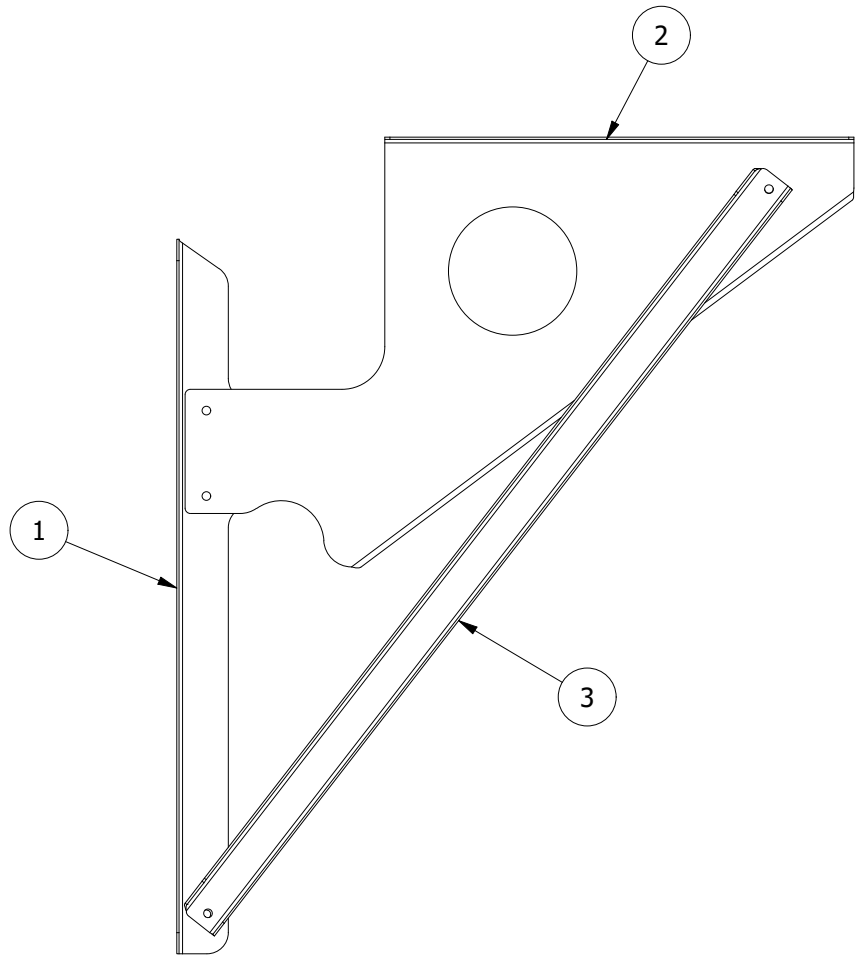
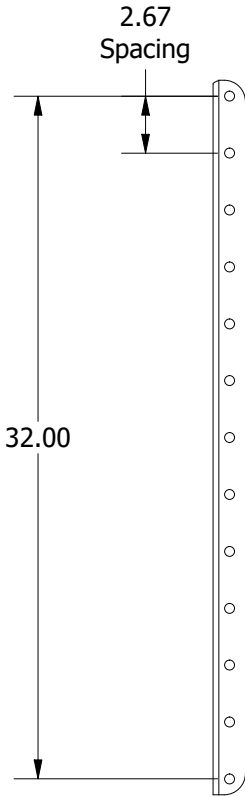
**C-Series Farm
Platform Assembly
Railing**

PARTS LIST			
ITEM	QTY	PART NUMBER	DESCRIPTION
8	2	TRS1505400	54" long 1.5 in tube railing slotted end tabs
17	2	TRS1502800	28 Long 1.5 in tube railing slotted end tabs
21	2	CS-30010	Bracket, Plate, Handrail



C-Series Wall Bracket 32" Platform Support

PARTS LIST			
ITEM	QTY	PART NUMBER	DESCRIPTION
1	1	CS-33201	Bracket, Wall, 32 Platform
2	1	CS-34402	Brace, Plate, Platform
3	1	CS-32002	Channel, K-Brace, C-Series

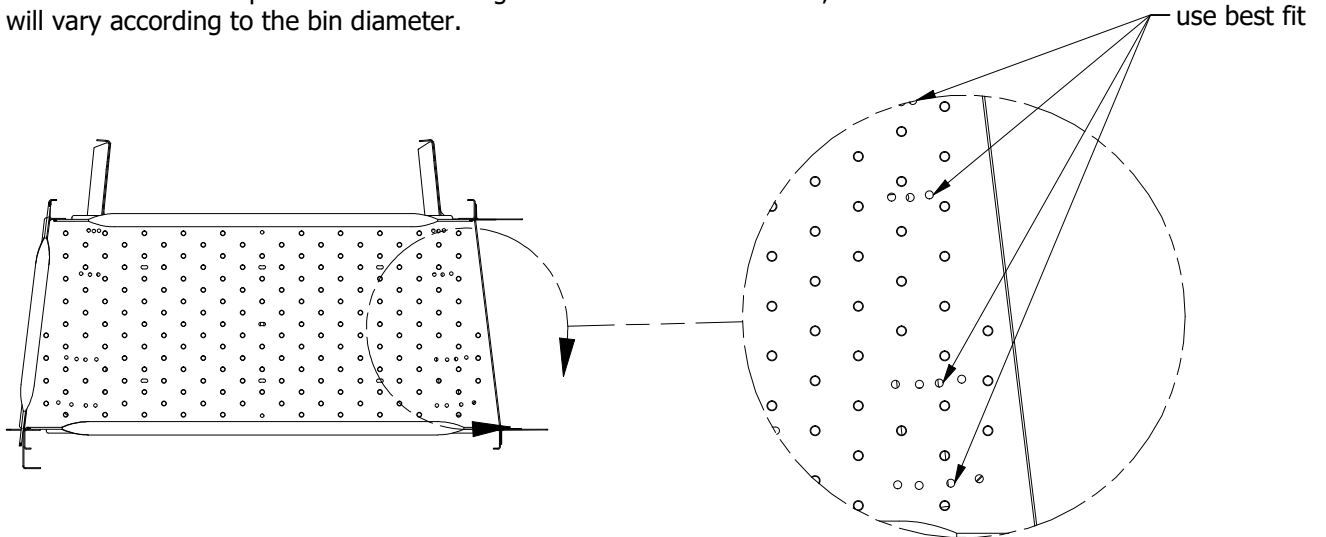


C-Series Farm Platform Assembly

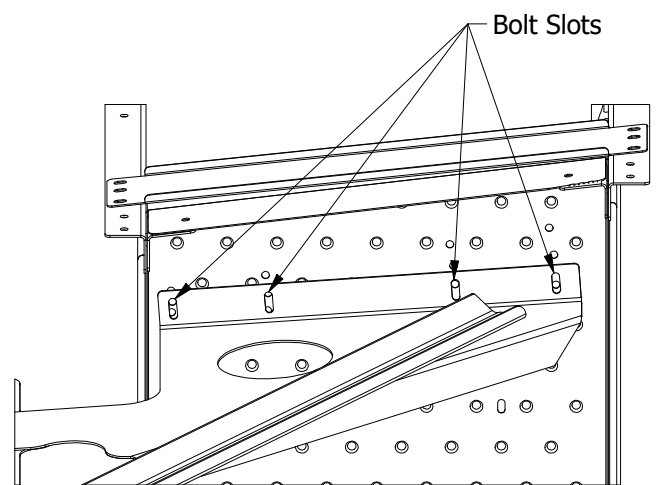
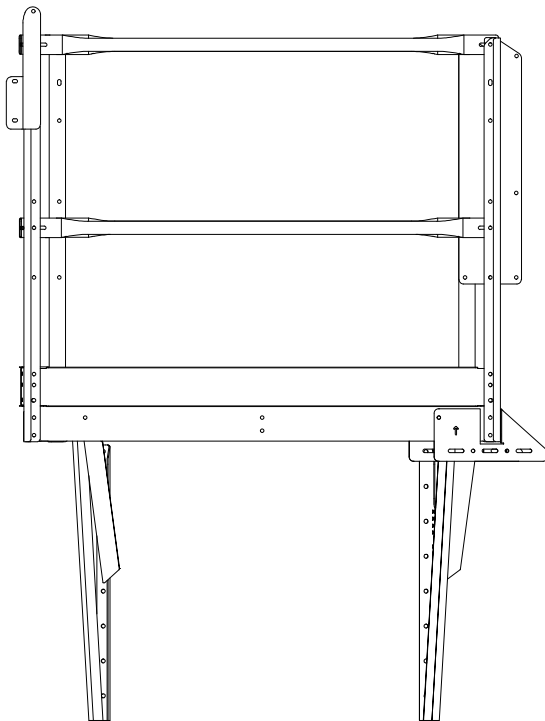
Center the platform assembly on top of the A-frame wall mounts.

Use 4 bolts to attach each wall mount plate to the platform.

Use the bolt holes in the platform that best align with the A-frame mounts, this will vary according to the bin diameter.



Bolt detail



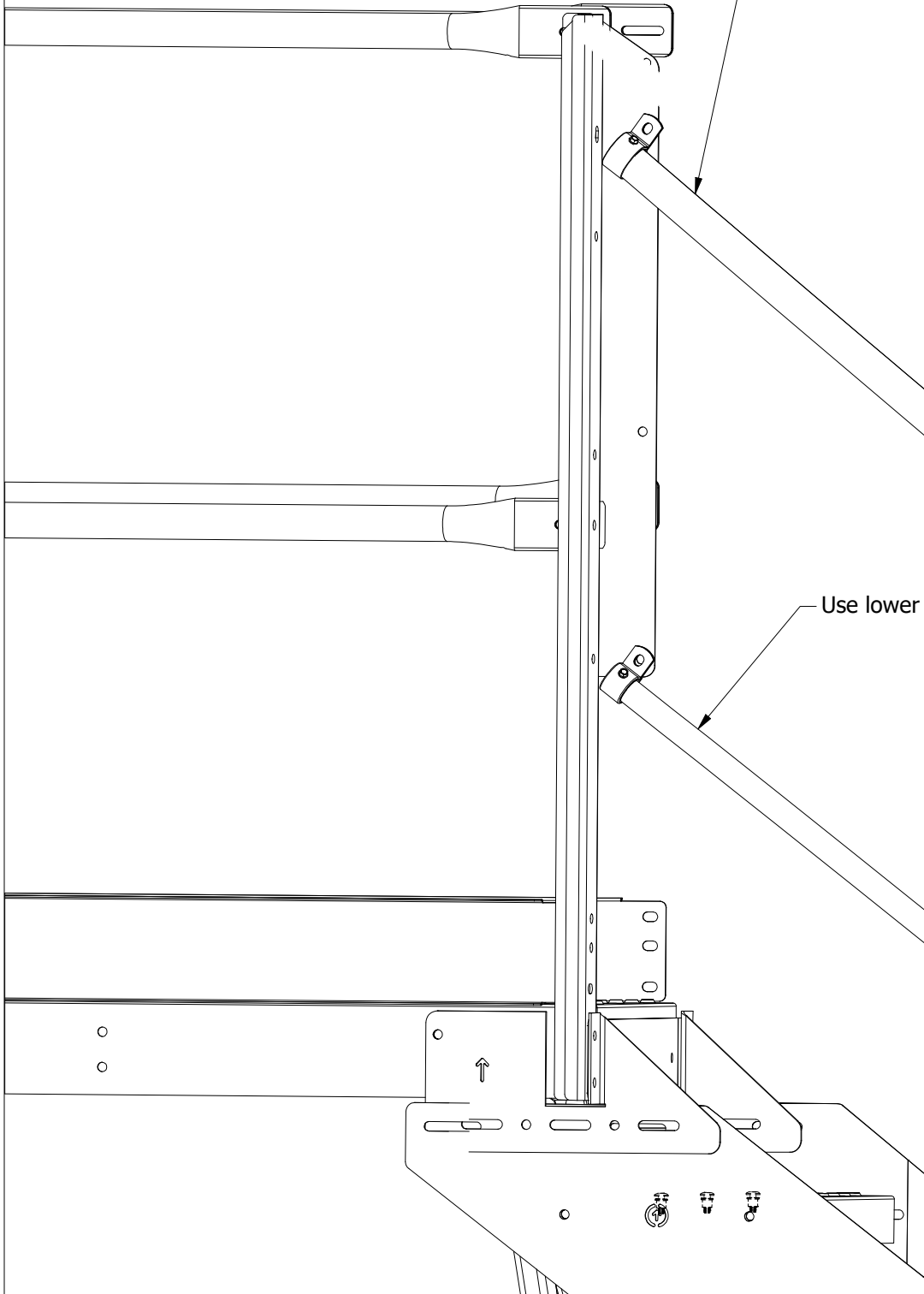
**Underside View of
Platform Attachment**

C-Series Farm Platforms Midrail and Handrail

Top platform, side view

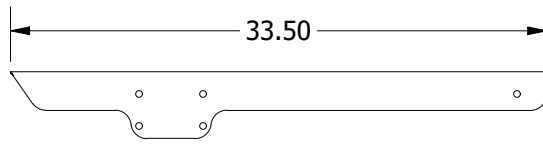
Stair handrail at ~37" from tread,
field drill plate and secure with P-clamp (1.5")

Use lower hole and P-clamp for midrail (1")

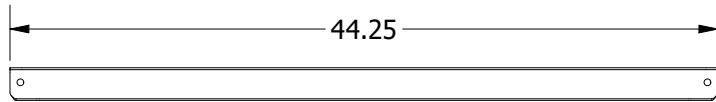


CF3532L Roof Stair Platform

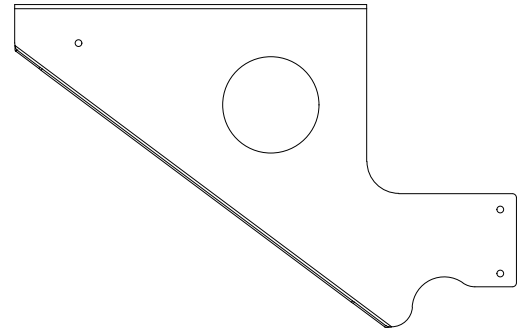
Parts ID



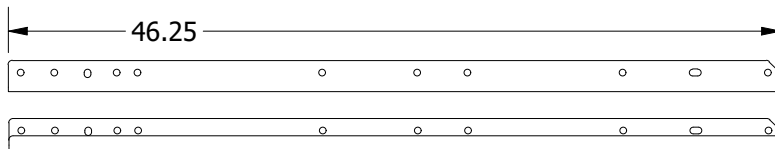
CS-33201



CS-32002

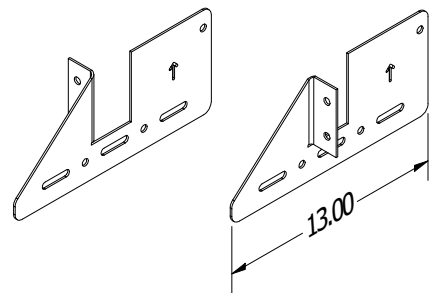


CS-34402



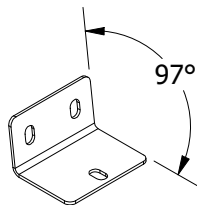
CS-34500 (Right), CS-34501 (Left)

CS-40411, CS-40410

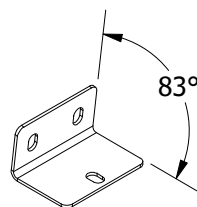


Note

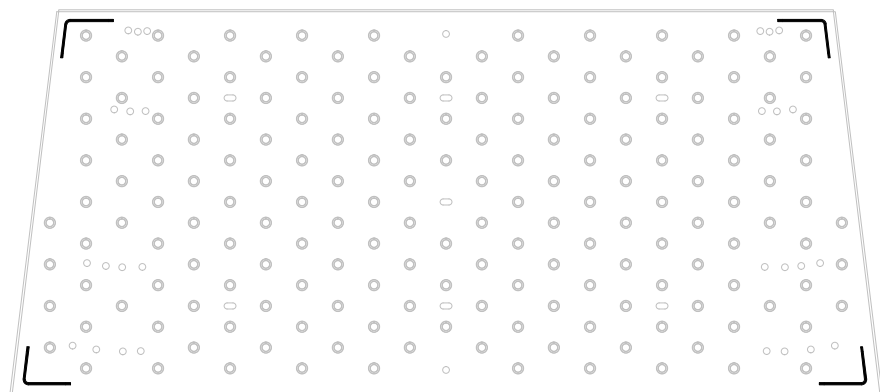
The CS-40005 and CS-40006 angle brackets must be installed on the inside of the CS-F30001 platform tread.



CS-40006

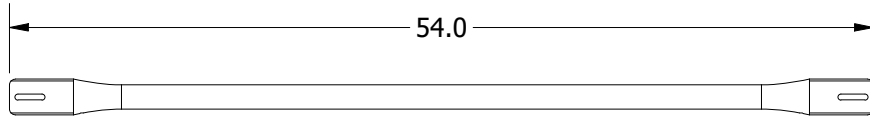


CS-40005

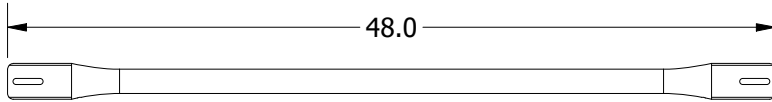


CS-F30001

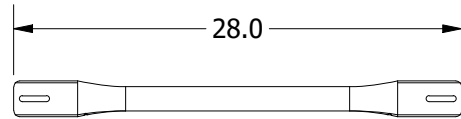
CF3532L Roof Stair Platform
Parts ID



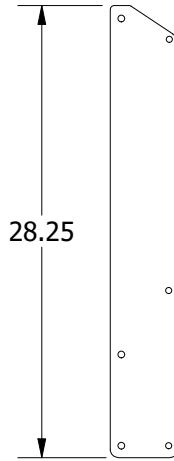
TR1505400



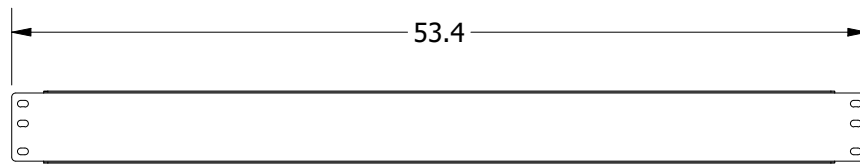
TR1504800



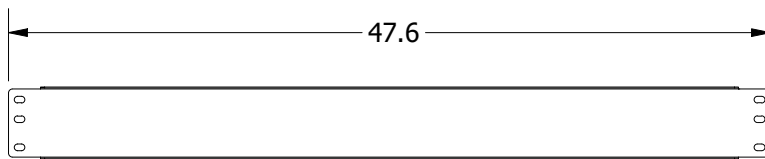
TR1502800



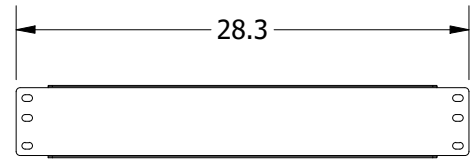
CS-30010



CS-34406

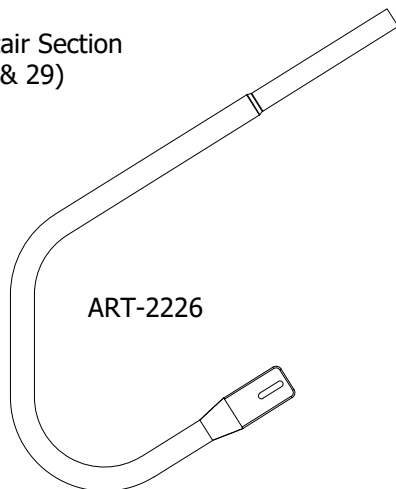


CS-34407

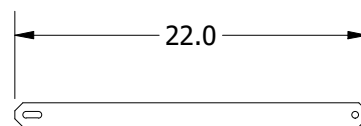


CS-34408

Used on Bottom Stair Section
 (see page 28 & 29)



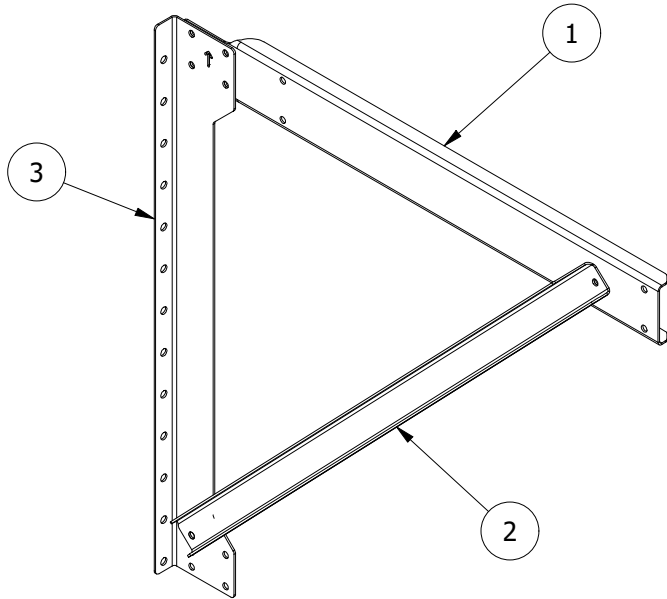
ART-2226



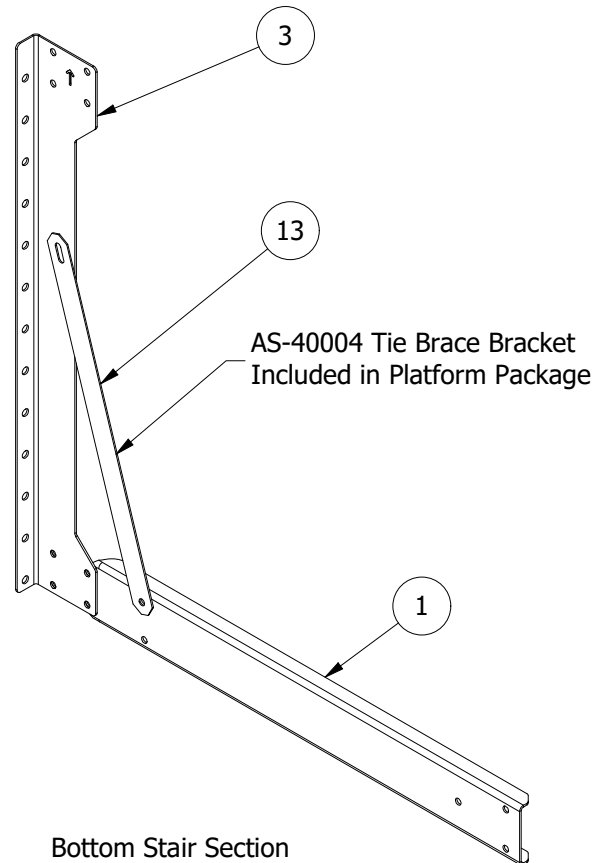
AS-40004

A-Frame Layouts

PARTS LIST			
ITEM	QTY	PART NUMBER	DESCRIPTION
1	1	CS-40002	Channel, Crossbar
2	1	CS-32002	Channel, K-Brace, C-Series
3	2	CS-32001	Bracket, Wall, 32" ring
13	1	AS-40004	Bracket, Tie Brace



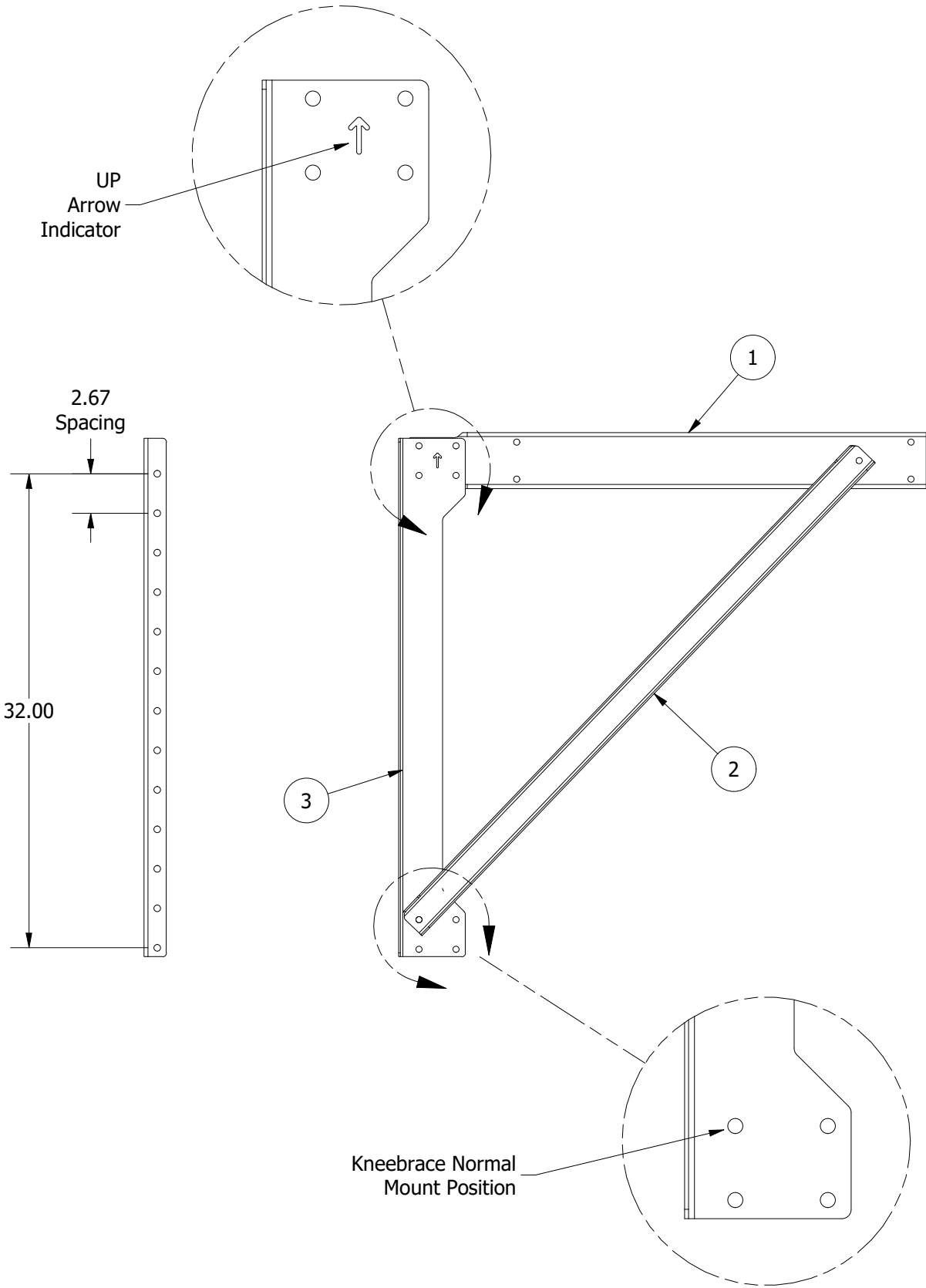
Stair Run Section



Bottom Stair Section
(see page 28)

A-Frame Stair Run

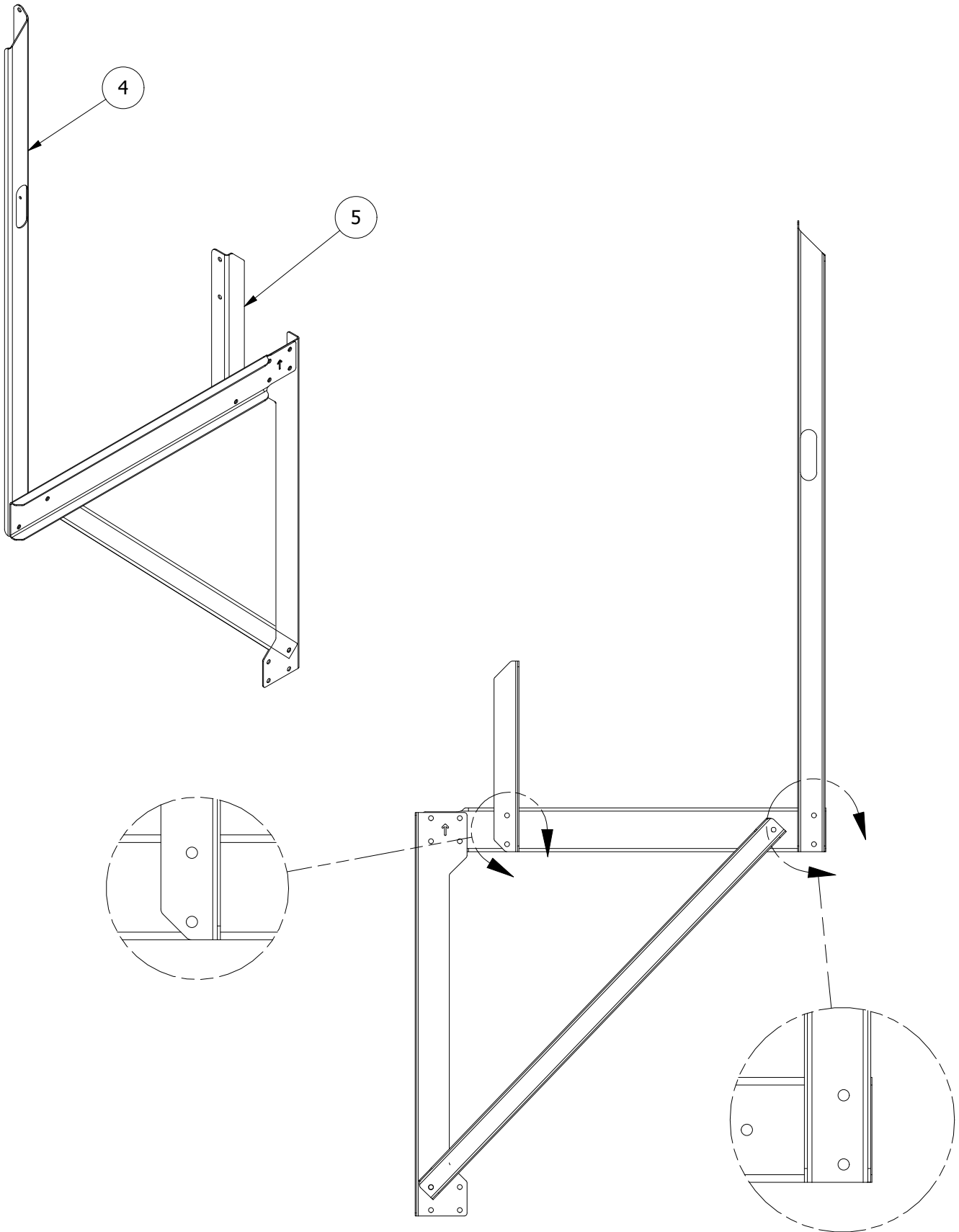
PARTS LIST			
ITEM	QTY	PART NUMBER	DESCRIPTION
1	1	CS-40002	Channel, Crossbar
2	1	CS-32002	Channel, K-Brace, C-Series
3	2	CS-32001	Bracket, Wall, 32" ring



Attaching the Posts to the A-Frame

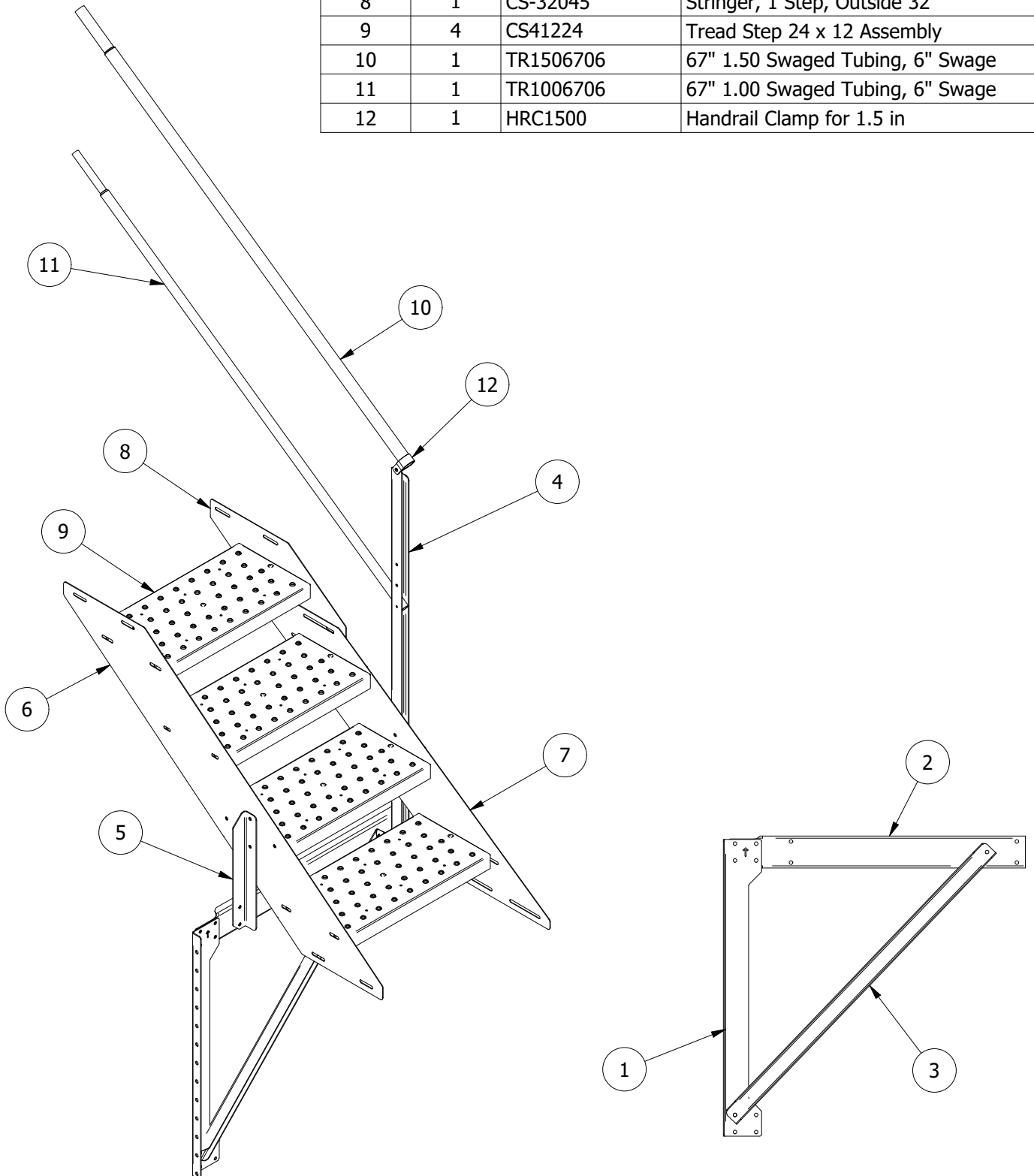
PARTS LIST

ITEM	QTY	PART NUMBER	DESCRIPTION
4	1	CS-F40011	Post, Stair Rail, Outside
5	1	CS-F40001	Post, Stair, Inside



**Parts List, CF3200
C-Series Farm 32"
4 Step Stair Section**

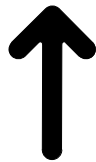
PARTS LIST			
ITEM	QTY	PART NUMBER	DESCRIPTION
1	1	CS-32001	Bracket, Wall, 32" ring
2	1	CS-40002	Channel, Crossbar
3	1	CS-32002	Channel, K-Brace, C-Series
4	1	CS-F40011	Post, Stair Rail, Outside
5	1	CS-F40001	Post, Stair, Inside
6	1	CS-32044	Stringer, 4 Step, Inside 32
7	1	CS-32047	Stringer, 3 Step, Outside 32
8	1	CS-32045	Stringer, 1 Step, Outside 32
9	4	CS41224	Tread Step 24 x 12 Assembly
10	1	TR1506706	67" 1.50 Swaged Tubing, 6" Swage
11	1	TR1006706	67" 1.00 Swaged Tubing, 6" Swage
12	1	HRC1500	Handrail Clamp for 1.5 in



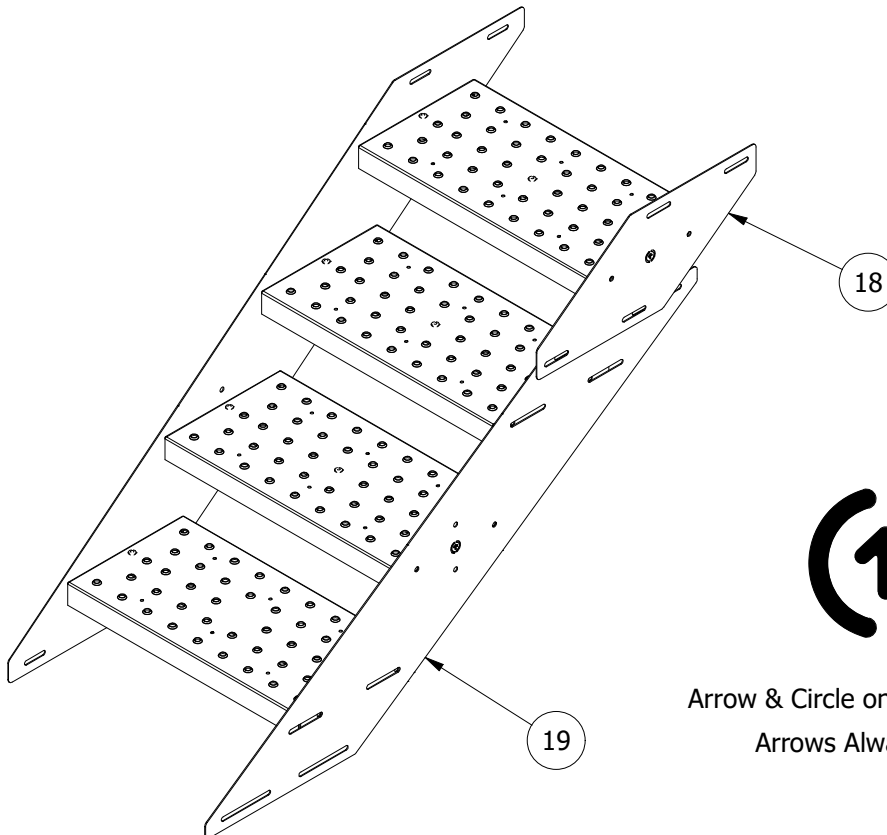
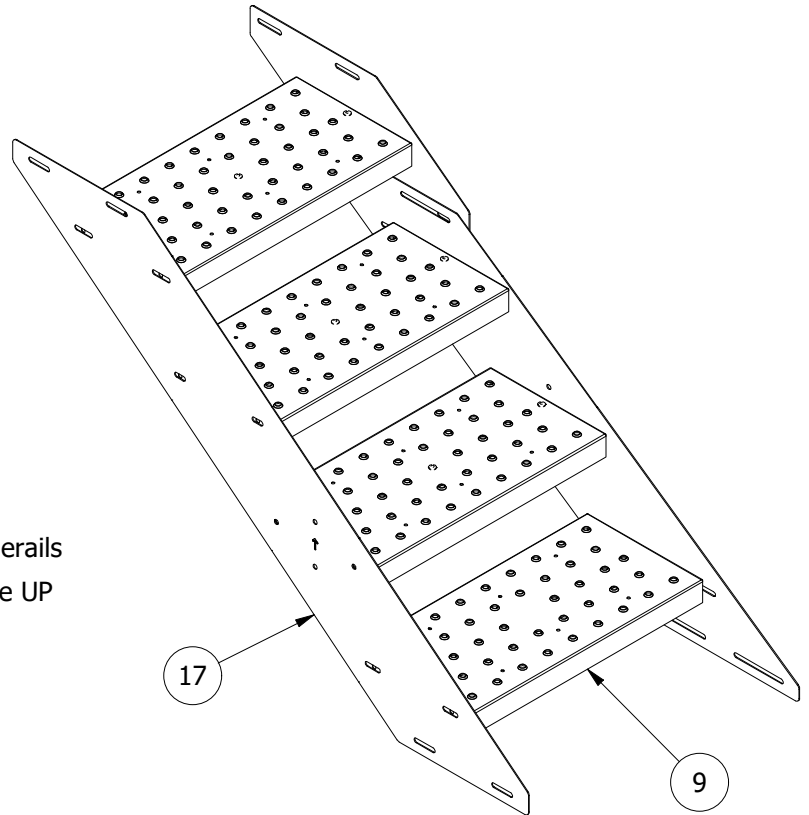
**CF3200 C-Series 32"
4 Step Stair Section**

PARTS LIST			
ITEM	QTY	PART NUMBER	DESCRIPTION
9	4	CS41224	Tread Step 24 x 12 Assembly
18	1	CS-32045	Stringer, 1 Step, Outside 32
19	1	CS-32047	Stringer, 3 Step, Outside 32
17	1	CS-32044	Stringer, 4 Step, Insided 32

On the CF3200 stair section,
the inside siderail is a one piece 4-step,
the outside siderail is a two piece; 3-step and 1-step.



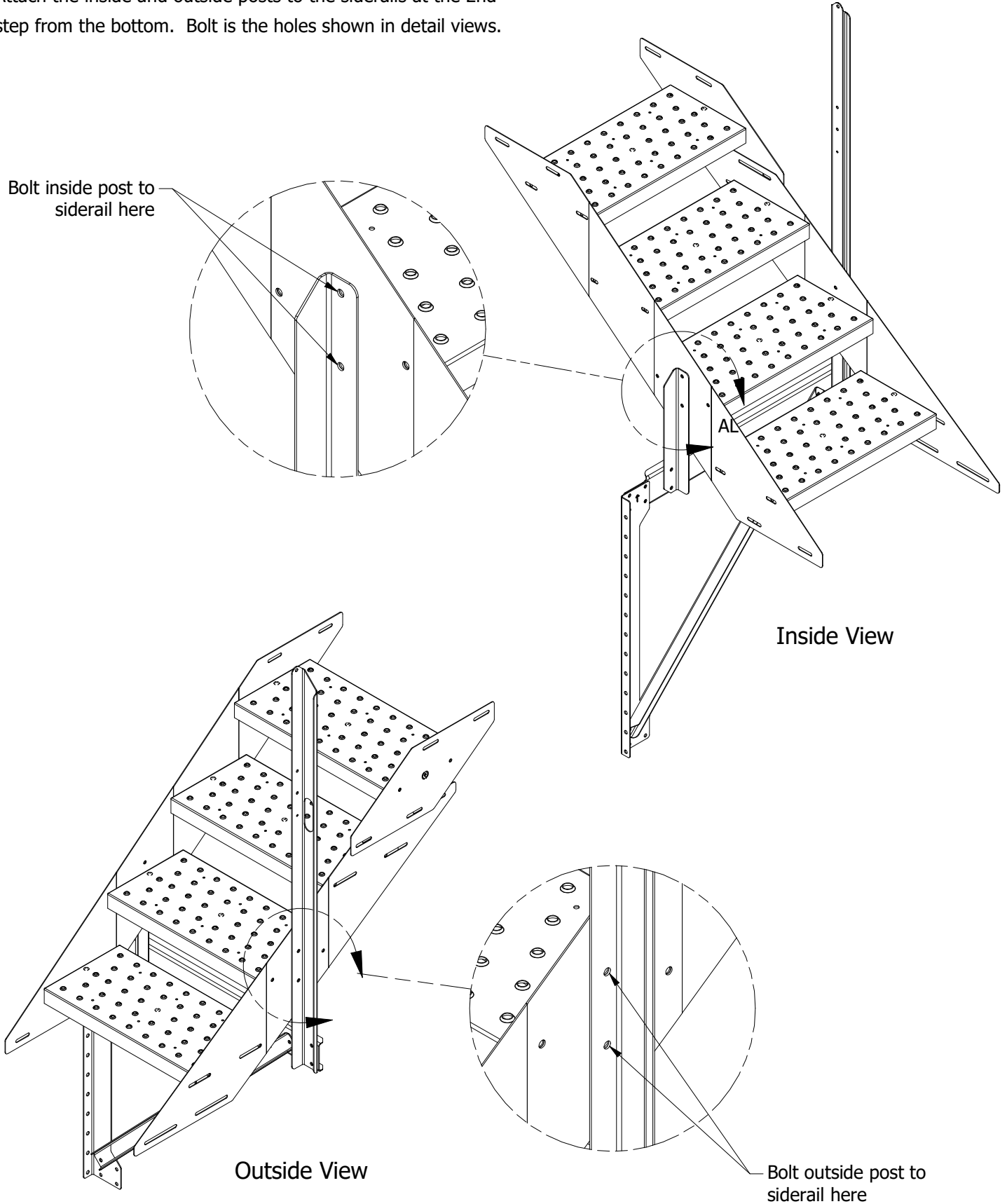
Arrow on Inside Siderails
Arrows Always Face UP



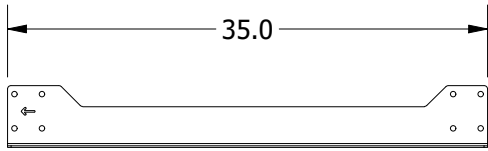
Arrow & Circle on Outside Siderails
Arrows Always Face UP

Attaching the Stair Section to the A-Frame Assembly

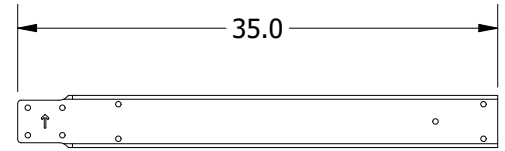
Attach the inside and outside posts to the siderails at the 2nd step from the bottom. Bolt is the holes shown in detail views.



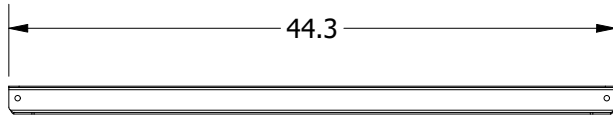
CF3200 Parts ID



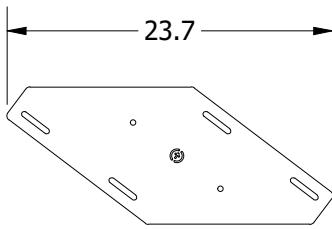
CS-32001



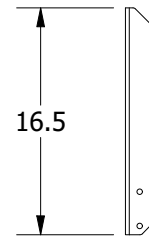
CS-40002



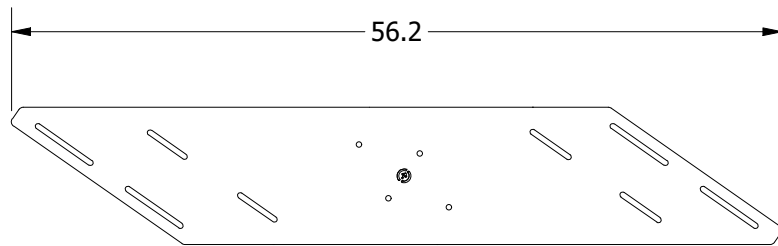
CS-32002



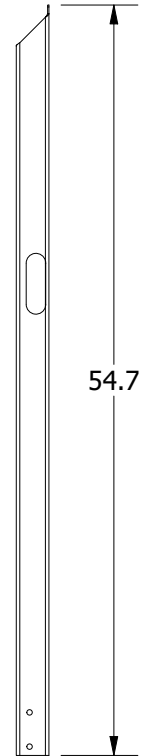
CS-32045



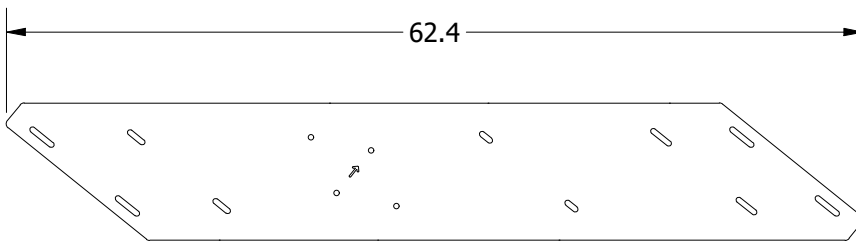
CS-F40001



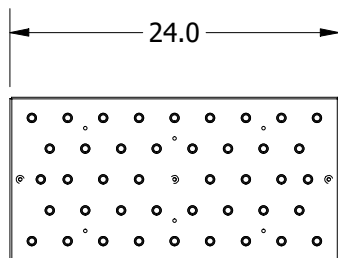
CS-32047



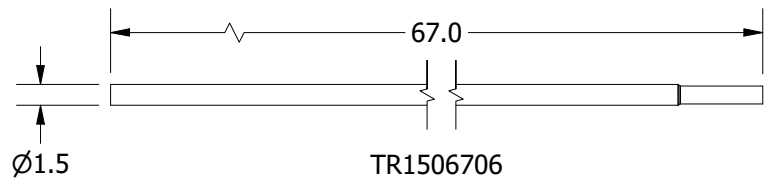
CS-F40011



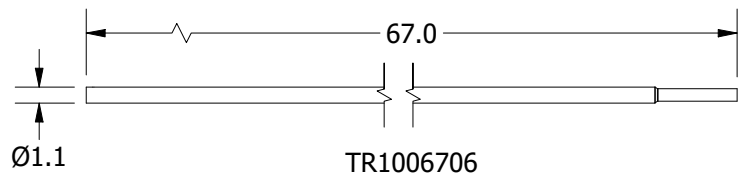
CS-32044



CS41224



TR1506706

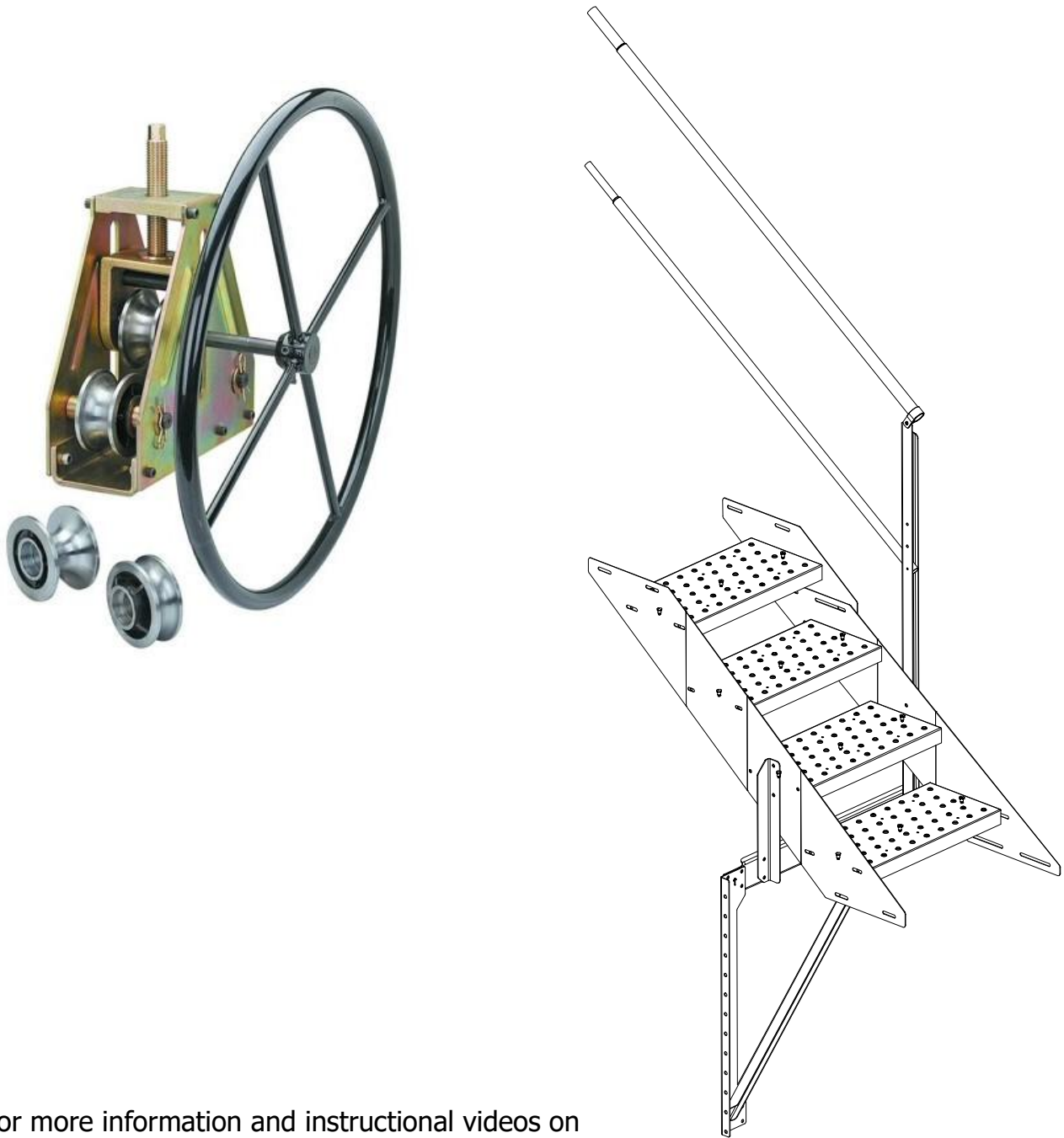



TR1006706

Installing Handrails

Using a Tube Roller Former as shown in the picture, curve all rails to fit the diameter of the bin.

The swaged ends of the rails should point up the stairs.



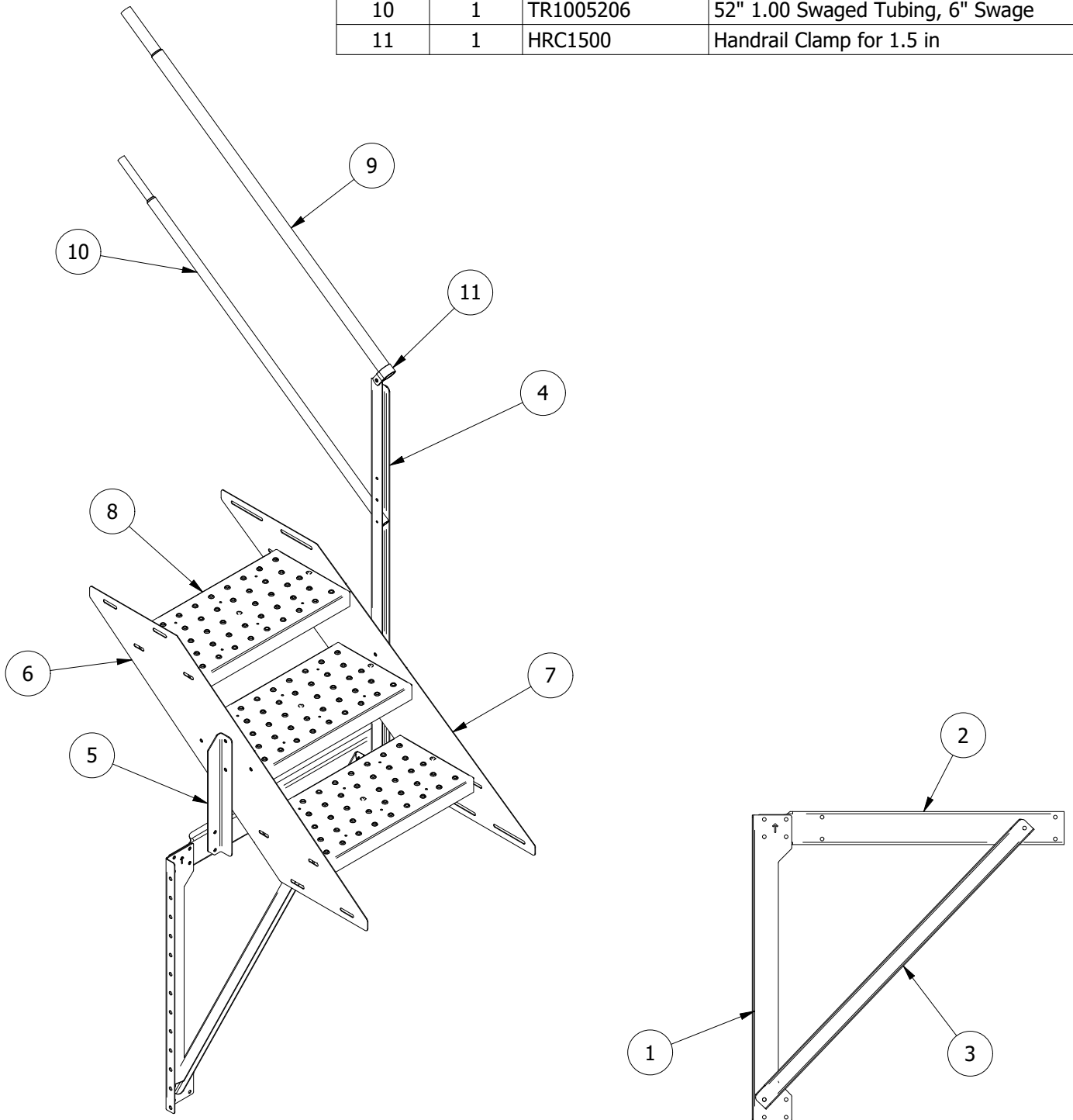
For more information and instructional videos on handrail installation and using a tube roller, go to our website at greenestairs.com and look for the  YouTube channel link.

**Parts List, CF3203
C-Series Farm 32"
3 Step Stair Section**

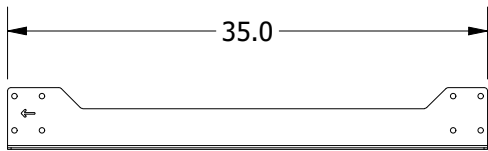
Used after top platform

PARTS LIST

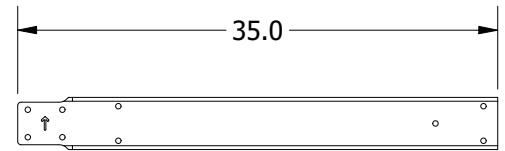
ITEM	QTY	PART NUMBER	DESCRIPTION
1	1	CS-32001	Bracket, Wall, 32" ring
2	1	CS-40002	Channel, Crossbar
3	1	CS-32002	Channel, K-Brace, C-Series
4	1	CS-F40011	Post, Stair Rail, Outside
5	1	CS-F40001	Post, Stair, Inside
6	1	CS-32043	Stringer, 3 Step, Inside 32
7	1	CS-32047	Stringer, 3 Step, Outside 32
8	3	CS41224	Tread Step 24 x 12 Assembly
9	1	TR1505206	52" 1.50 Swaged Tubing, 6" Swage
10	1	TR1005206	52" 1.00 Swaged Tubing, 6" Swage
11	1	HRC1500	Handrail Clamp for 1.5 in



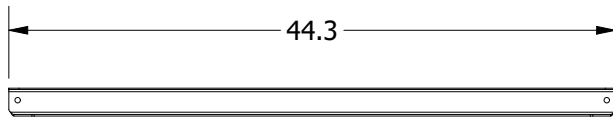
CF3203 Parts ID



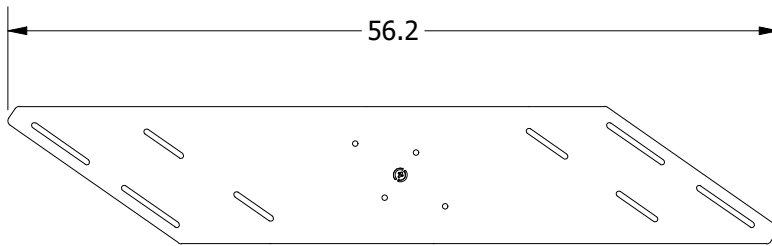
CS-32001



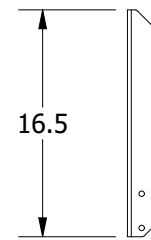
CS-40002



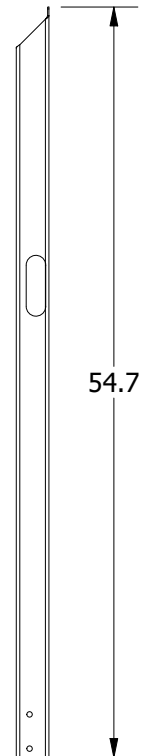
CS-32002



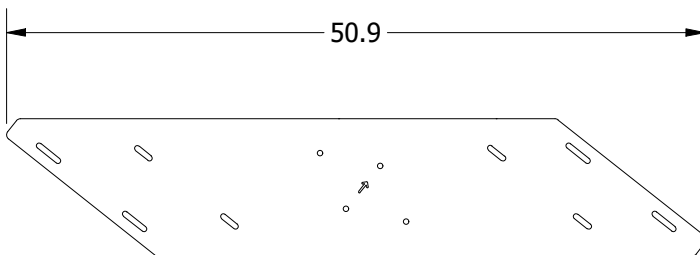
CS-32047



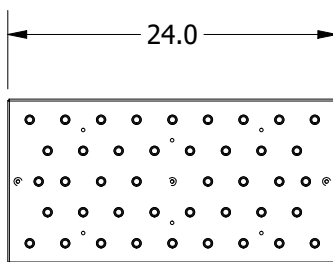
CS-F40001



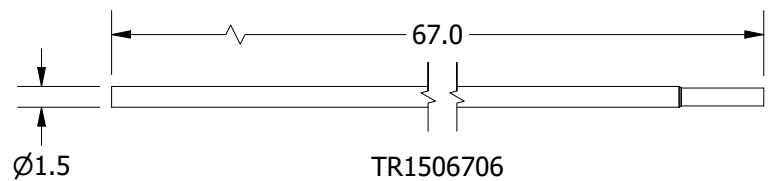
CS-F40011



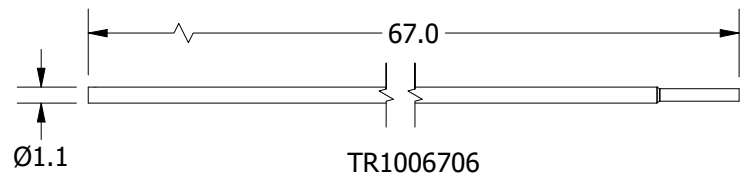
CS-32043



CS41224



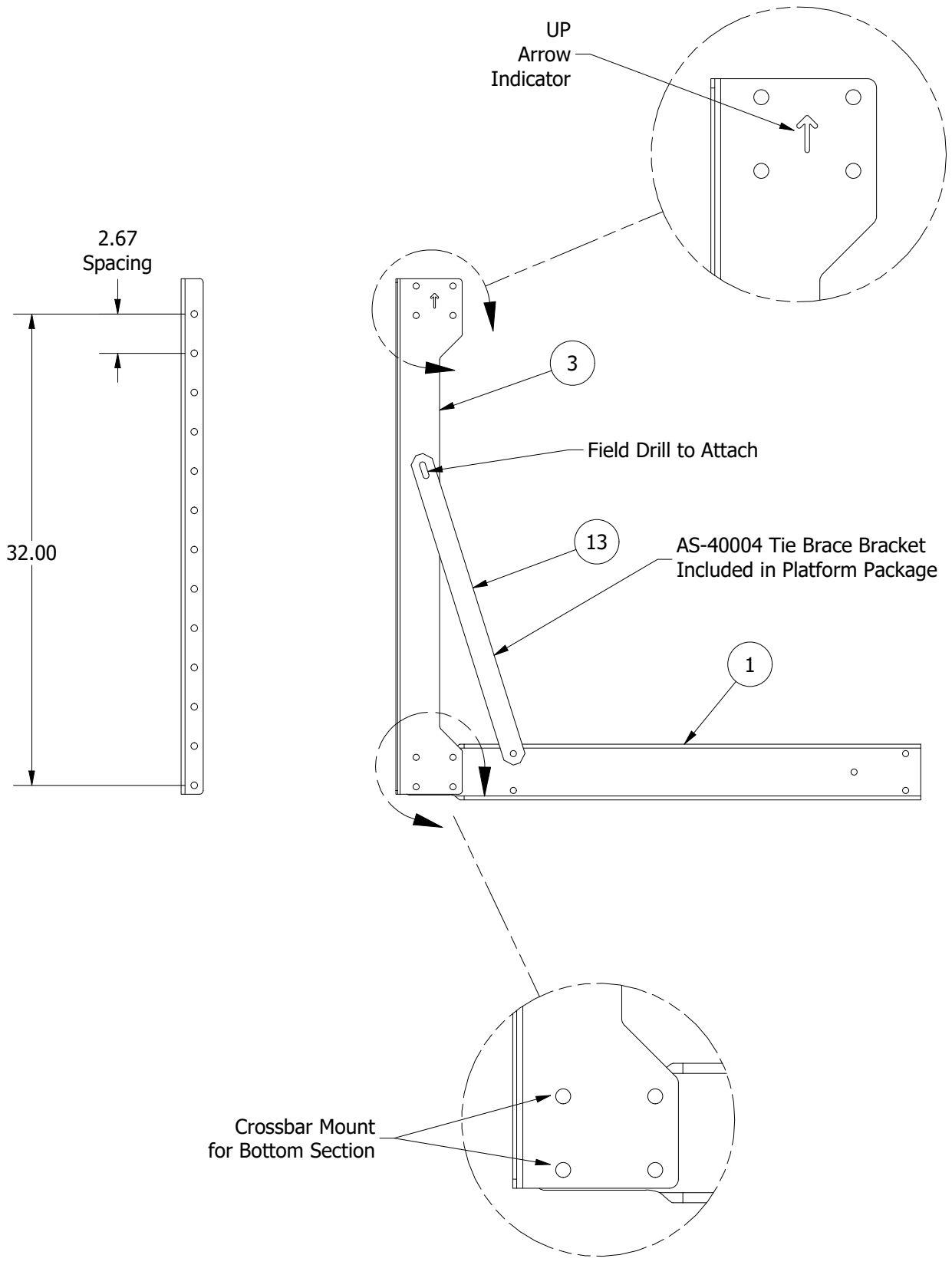
TR1506706



TR1006706

A-Frame Bottom Section

PARTS LIST			
ITEM	QTY	PART NUMBER	DESCRIPTION
1	1	CS-40002	Channel, Crossbar
3	2	CS-32001	Bracket, Wall, 32" ring
13	1	AS-40004	Bracket, Tie Brace



Bottom Stair Section Assembly

The AS-40004 tie brace and ART-2226 bottom end rail are included in the stair platform package.

Attach the tie brace to the inside post and field drill and bolt to the wall bracket as shown.

Install the bottom end rail into the stair handrail. Attach the flattened end to the stair post as shown.

Drill drain hole at lowest point

