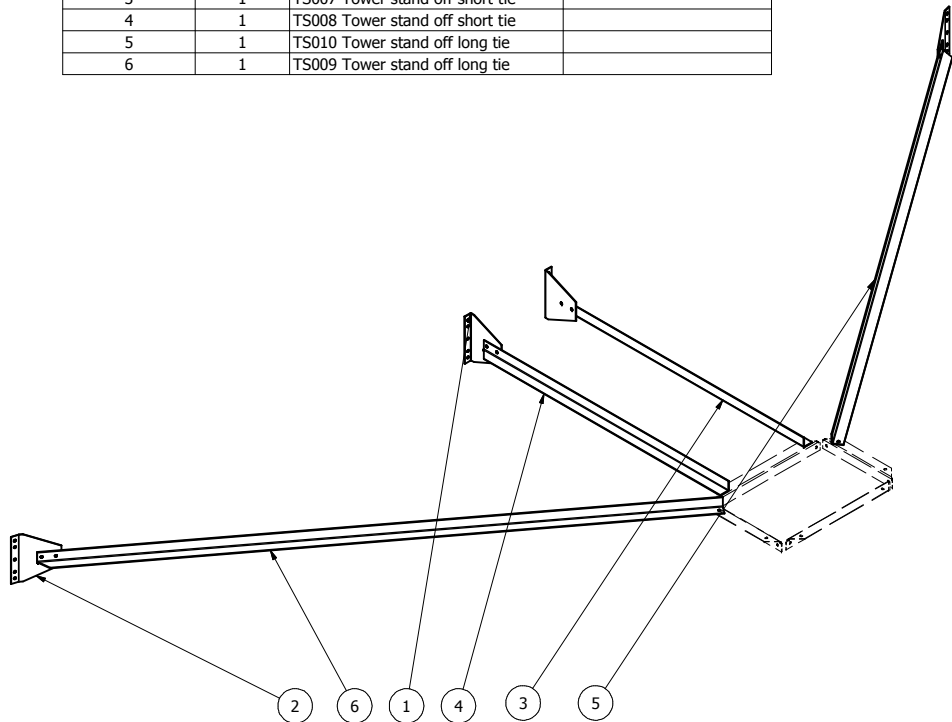
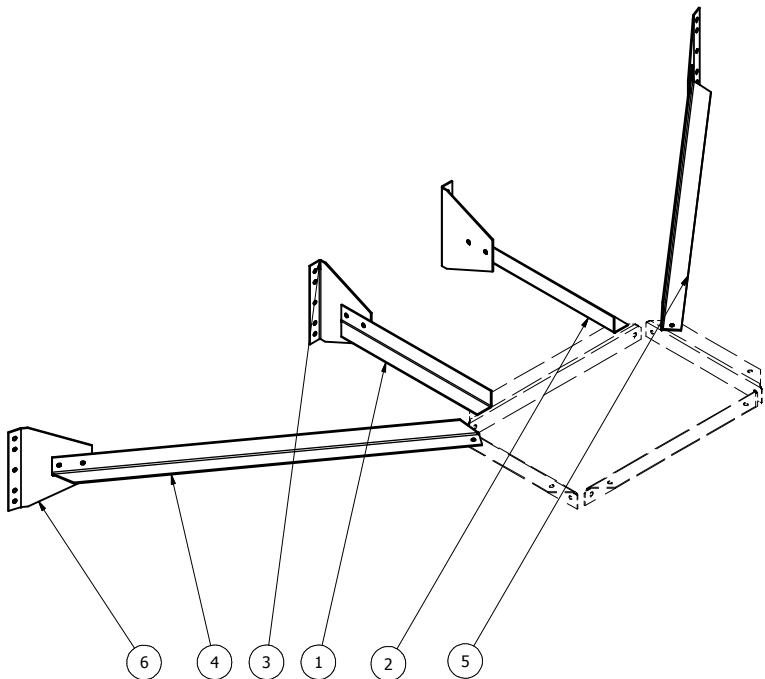


TSO105 Tower Stand Off 5 foot

TSO100 Tower Stand Off close

Parts List			
ITEM	QTY	PART NUMBER	DESCRIPTION
1	1	TS003 Tower stand off short tie	
2	1	TS004 Tower stand off short tie	
3	2	TS002 Tower stand off mount	
4	1	TS005 Tower stand off long tie	
5	1	TS006 Tower stand off long tie	
6	2	TS001 Tower stand off mount	

Parts List			
ITEM	QTY	PART NUMBER	DESCRIPTION
1	2	TS002 Tower stand off mount	
2	2	TS001 Tower Stand off mount	
3	1	TS007 Tower stand off short tie	
4	1	TS008 Tower stand off short tie	
5	1	TS010 Tower stand off long tie	
6	1	TS009 Tower stand off long tie	



DRAWN Rex A Greene	1/20/2005	Greene Welding and Hardware Inc. Greene Galvanized Stairs 217/375/4244 www.greenebinstairs.com		
CHECKED		TITLE		
QA		MFG		
APPROVED		SIZE C	DWG NO Tower stand off assy	REV
		SCALE NA	SHEET 1 OF 1	