

4

3

2

1

D

D

C

C

B

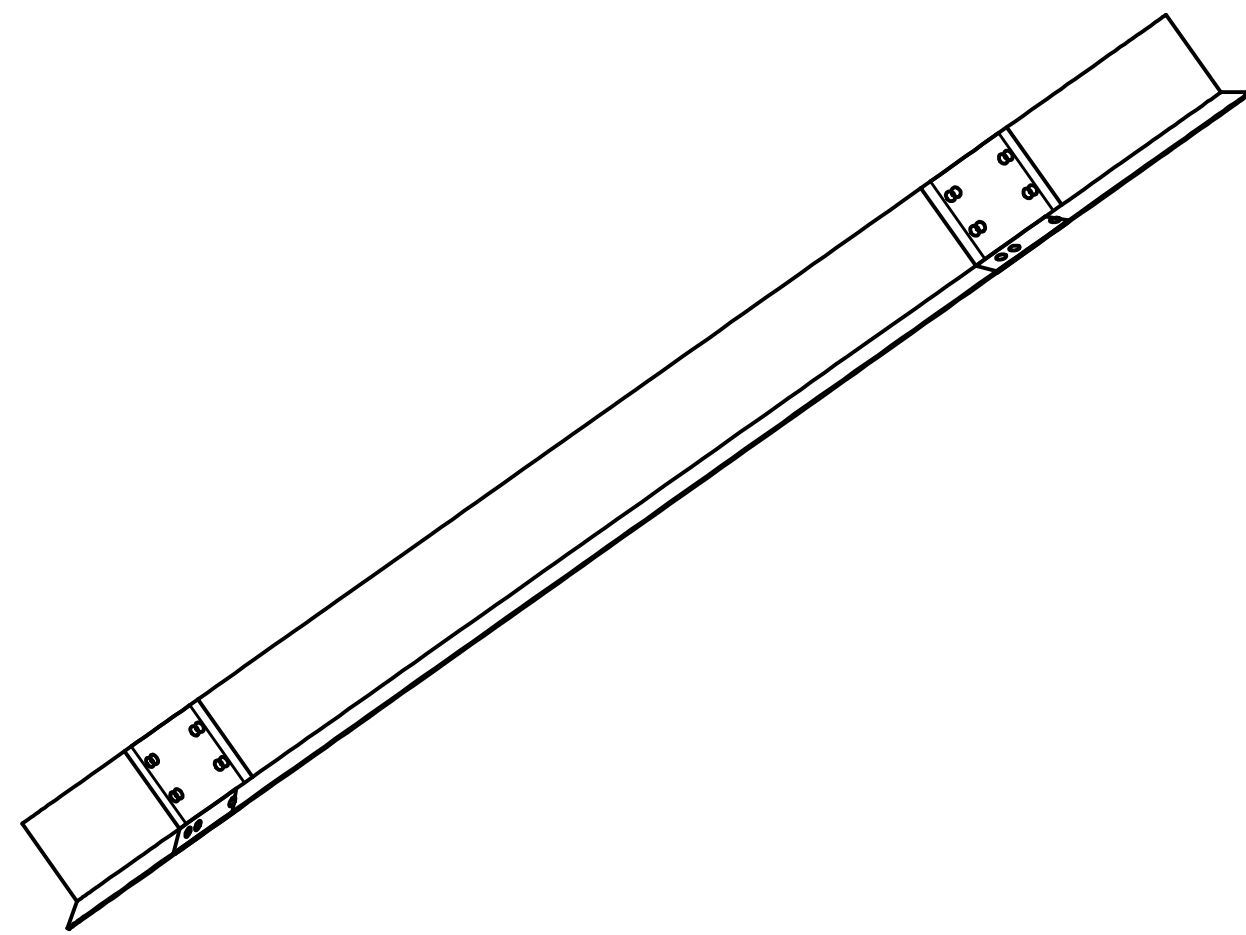
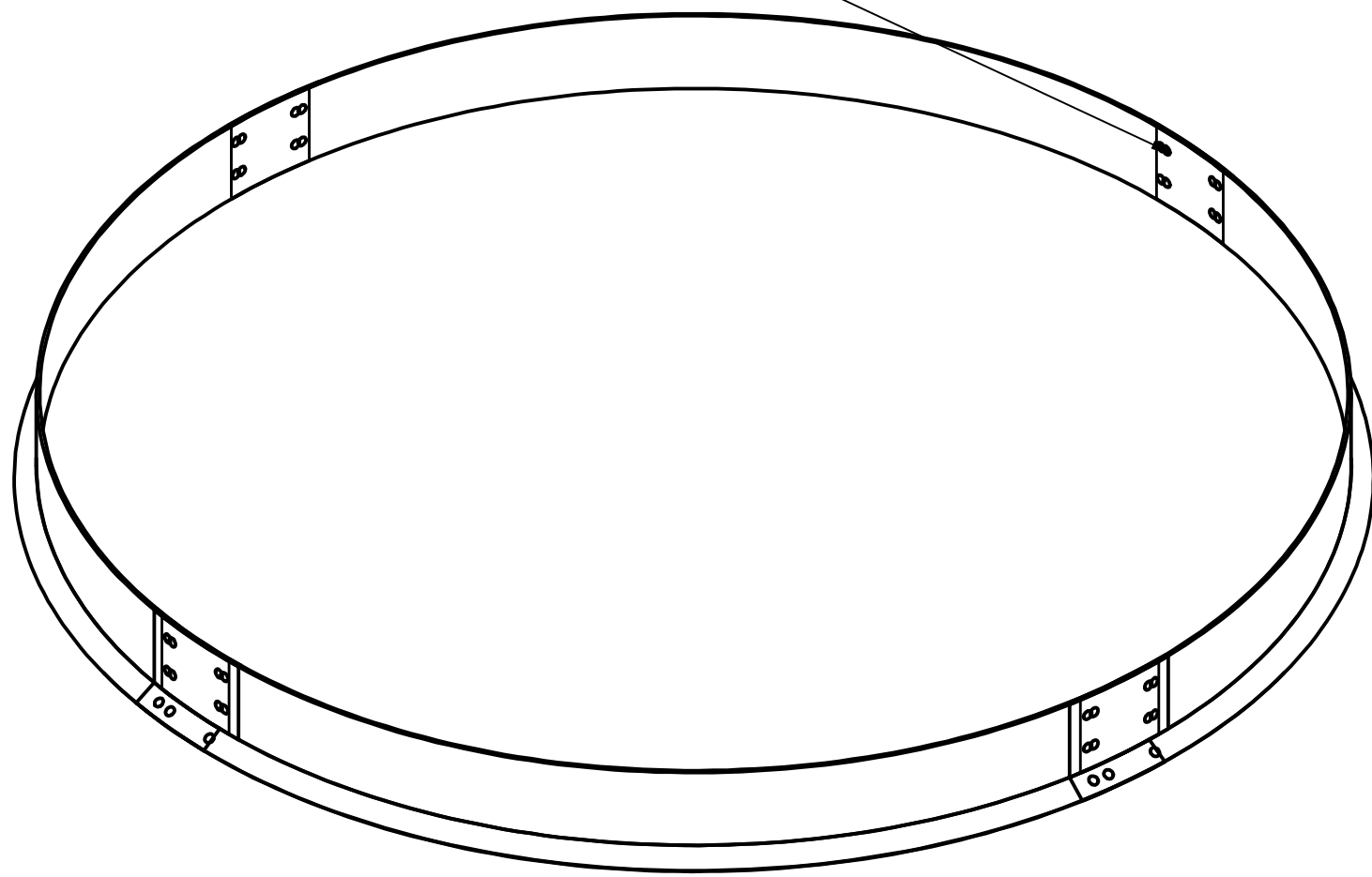
B

A

A

Parts List			
ITEM	QTY	PART NUMBER	DESCRIPTION
1	4	SR1661	66 support ring

1



DRAWN Rex A Greene	3/20/2006	Greene Welding and Hardware Inc. Greene Galvanized Stairs 217/375/4244 www.greenebinstairs.com		
		TITLE		
MFG				
APPROVED				
		SIZE C	DWG NO SR8066 66 Support Ring	REV
			SHEET 1 OF 1	

4

3

2

1

4