

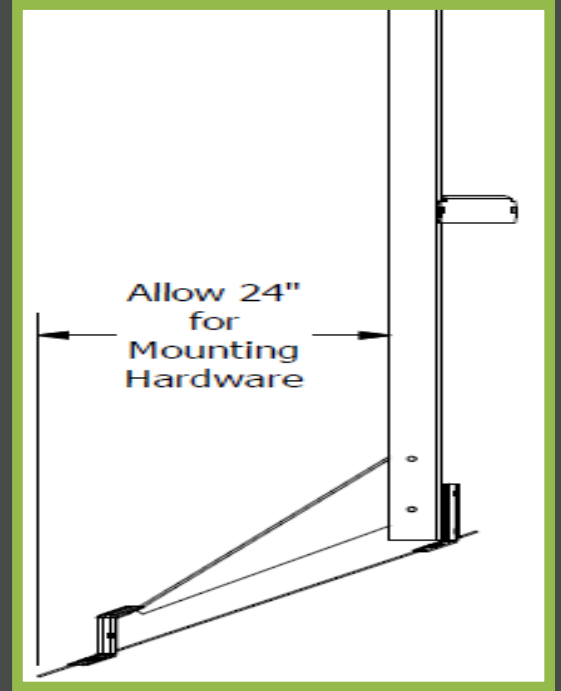
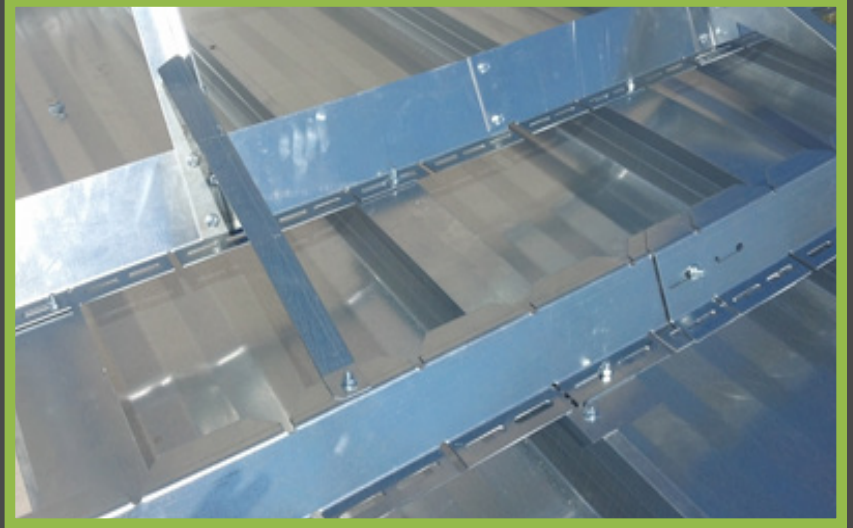
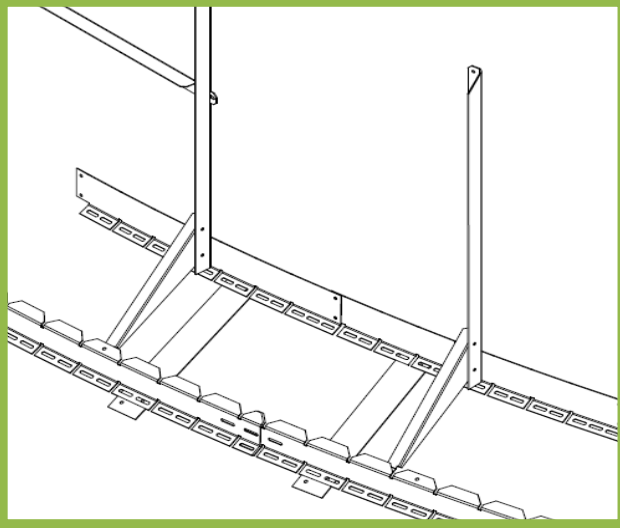
Handrail



- 1 1/2" Tube Handrail with formed ends makes for a secure and stable grip
- Formed angle intermediate rail
- Mounted on 2 continuous rings allowing the inside ring to act as a built in kickboard
- 1 section equals 1' of diameter, for example, a 24' handrail diameter requires 24 sections of MRH001
- Entry Sections available, add one for each transition through the handrail
- Brand specific mounting brackets bolt directly into existing rib holes
- Order 1 roof mount per roof panel , never more than 2 per section of MRH001

Mid Roof Handrail

US Patent: 8,595,990



Greene Galvanized Stairs
41774 Main Street; PO Box 191
East Lynn, IL 60932
Phone: 217-375-4244 Fax: 217-375-4245
Web: www.greenestairs.com

GREENE
GALVANIZED STAIRS