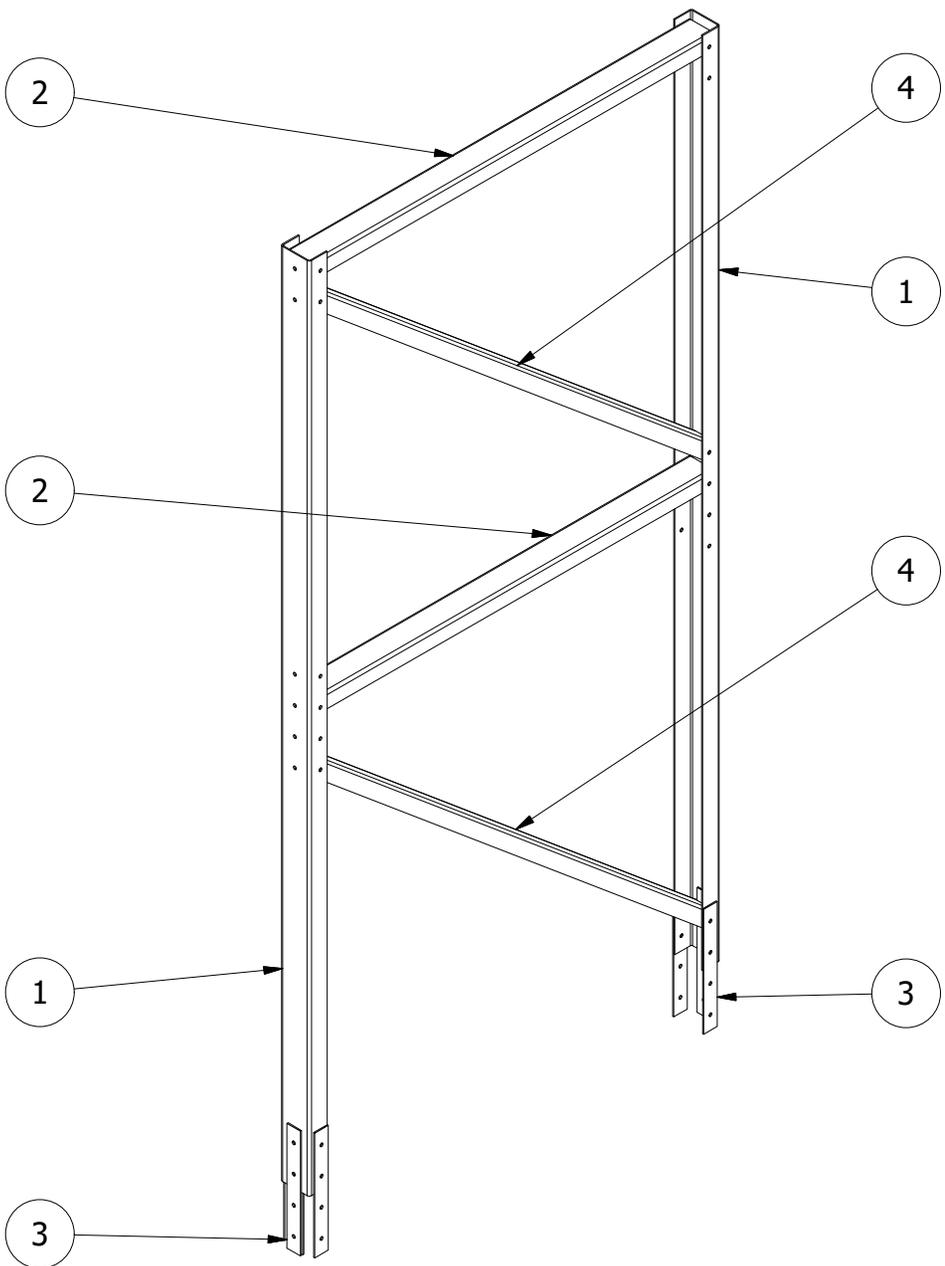


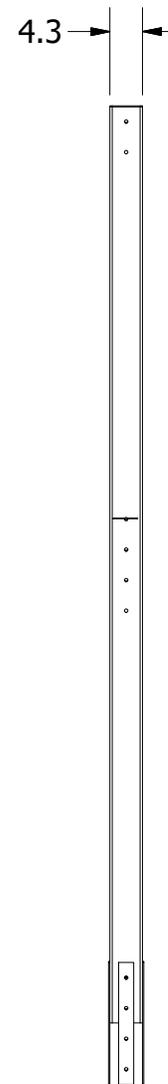
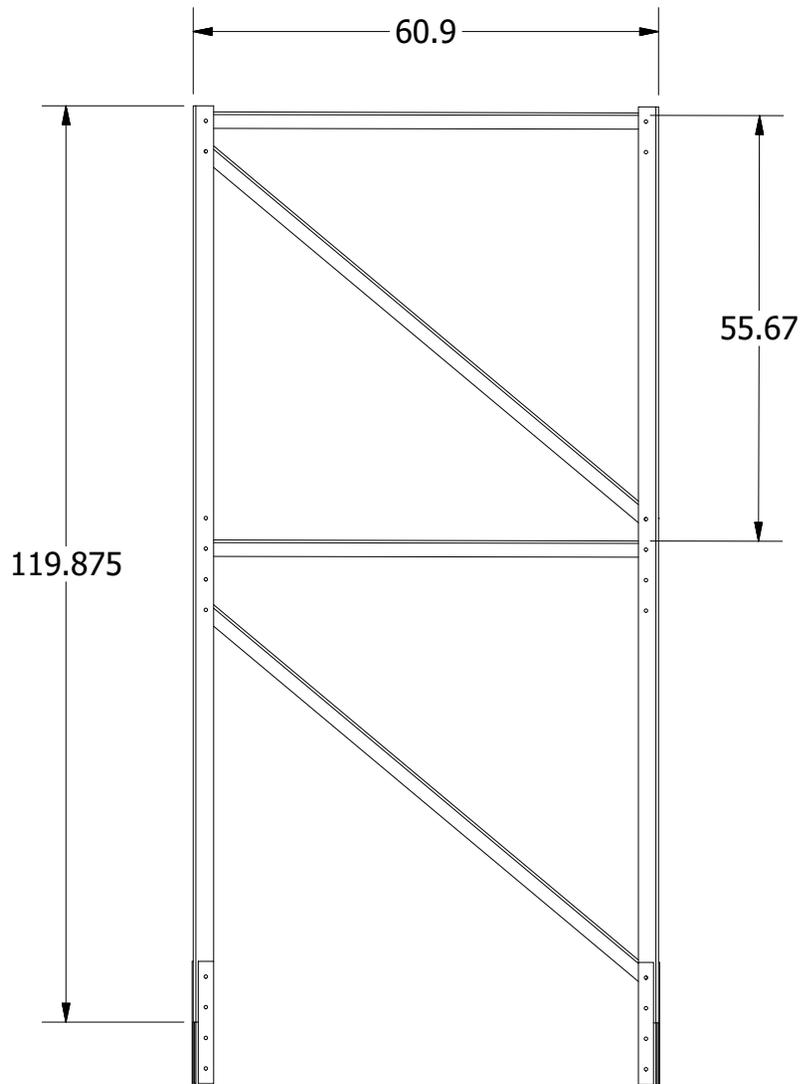
WME102

10' Extension of Wall-Mounted Support 2-Stiffened Tank



PARTS LIST			
ITEM	QTY	PART NUMBER	DESCRIPTION
1	2	WMS12	Wall Mount Siderail
2	2	WCB02	Wall Cross Brace
3	8	WSP01	Wall Splice Plate
4	2	WDB01	Wall Diagonal Brace
5	42	7/16-14SFN	7/16"-14 Whiz Lock Nut
6	42	7/16-14X1FB	7/16"-14 x 1" Flange Bolt

DRAWN	Marcus Wilmsmeyer	9/11/2018	Greene Galvanized Stairs	
CHECKED			East Lynn, IL 217.375.4244	
QA			www.greenebinstairs.com	
MFG			TITLE	
APPROVED			WME102 Instructions	
			SIZE A	DWG NO IN-WME102
			SCALE 1/20	REV
			SHEET 1 OF 2	



DRAWN Marcus Wilmsmeyer	9/11/2018	Greene Galvanized Stairs East Lynn, IL 217.375.4244 www.greenebinstairs.com	
CHECKED		TITLE	
QA		WME102 Instructions	
MFG		SIZE	DWG NO
APPROVED		A	IN-WME102
		SCALE	1/25
		SHEET	2 OF 2
		REV	