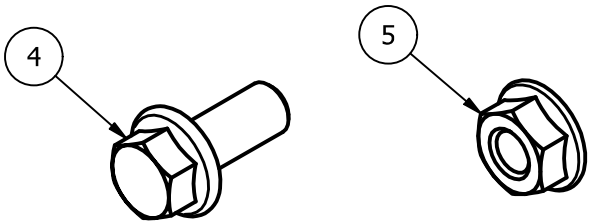
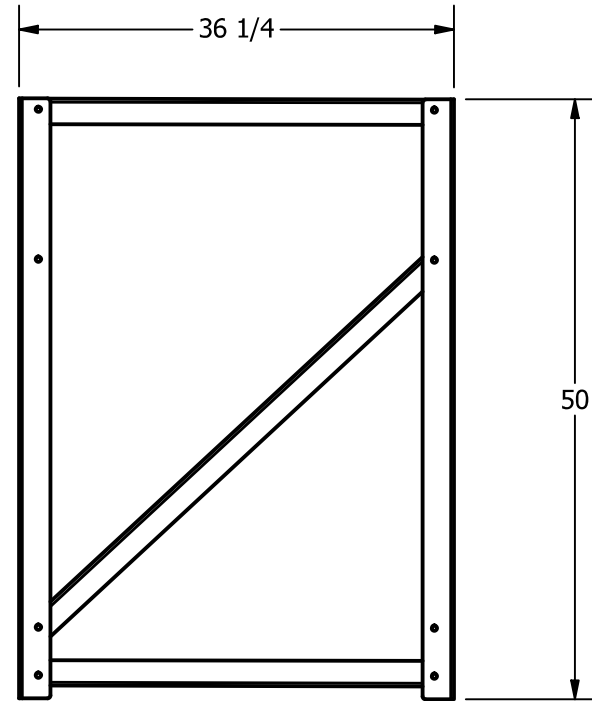
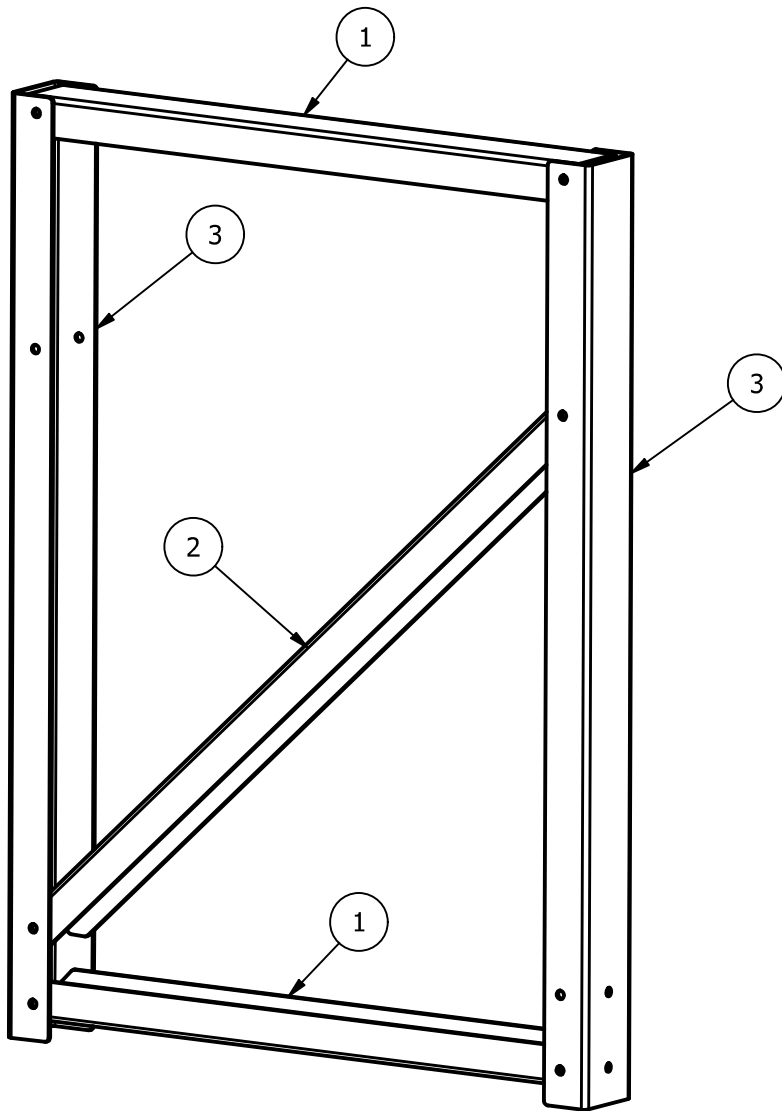


PARTS LIST, WM2536

ITEM	QTY	PART NUMBER	DESCRIPTION
1	2	WL002	Wall Loop Crossbar
2	1	WL003	Wall Loop Diagonal
3	2	WL050	Wall Loop 50" Siderail
4	18	7/16"-14x1FB	7/16"-14 x 1" Flange Bolt
5	18	7/16"-14SFN	7/16"-14 Whiz Lock Nut



DRAWN Bill Huff	9/22/2021	Greene Galvanized Stairs	
CHECKED		TITLE	
QA		Wall Loop 50" Extension	
MFG		SIZE A	DWG NO. IN-WM2536
APPROVED		SCALE	REV
		SHEET 1 OF 1	