

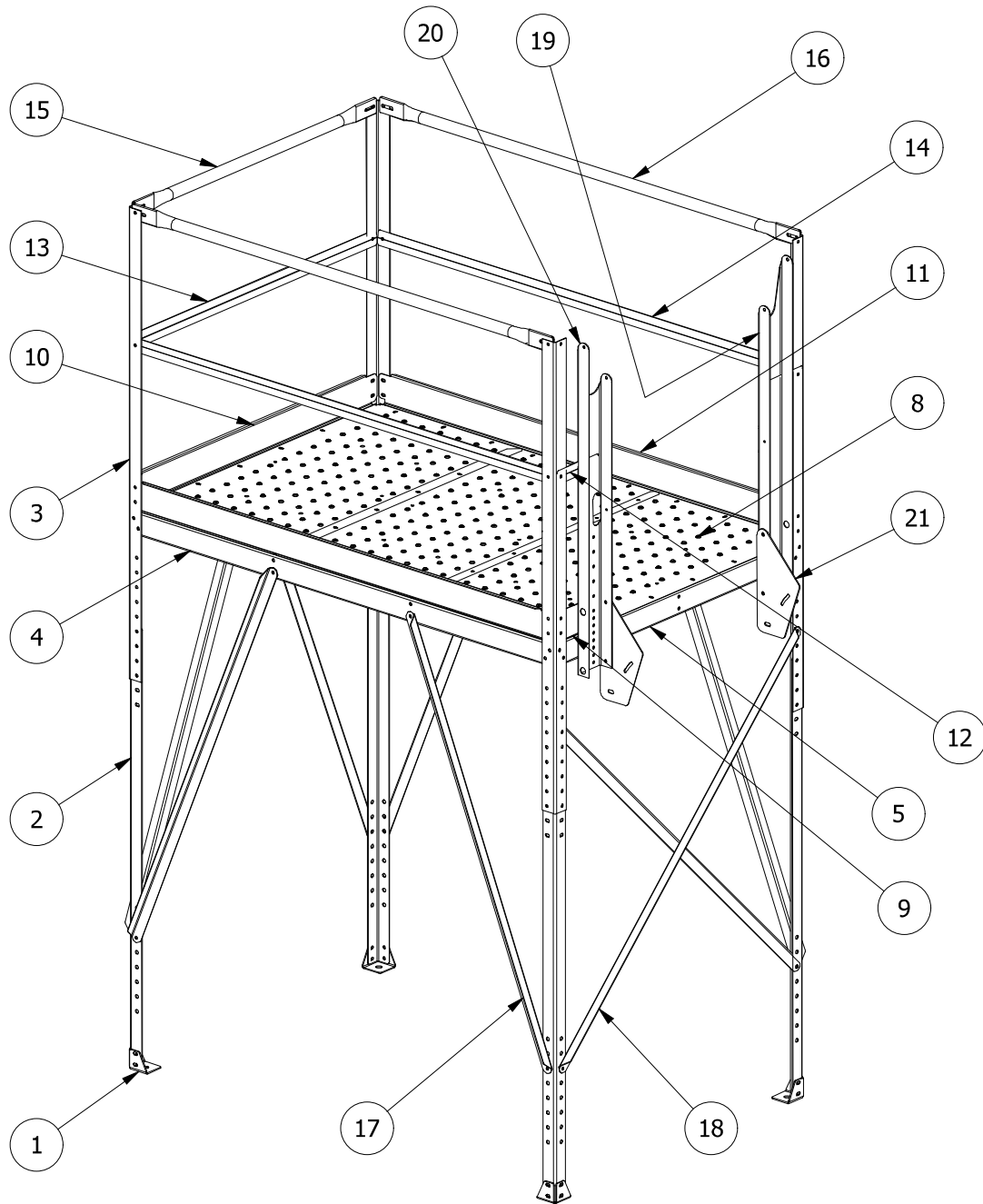
AVT46071
AVT46081
AVT46091

4x6 Platform, Variable Elevation

Assembly Instructions

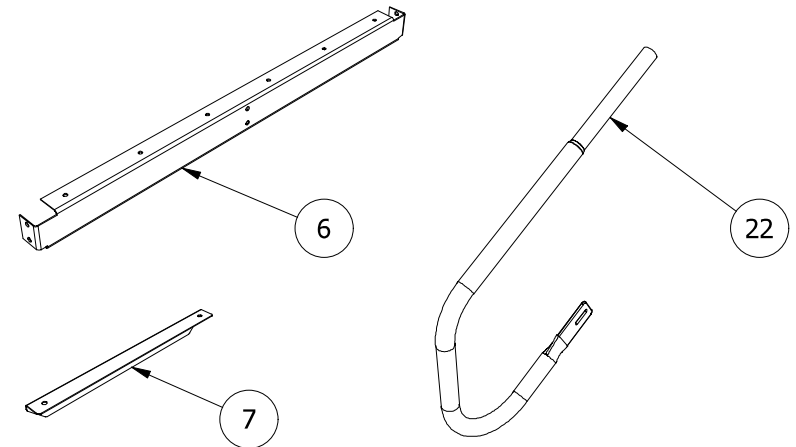


Refer to Part Dimension page at the end of the document for part sizes



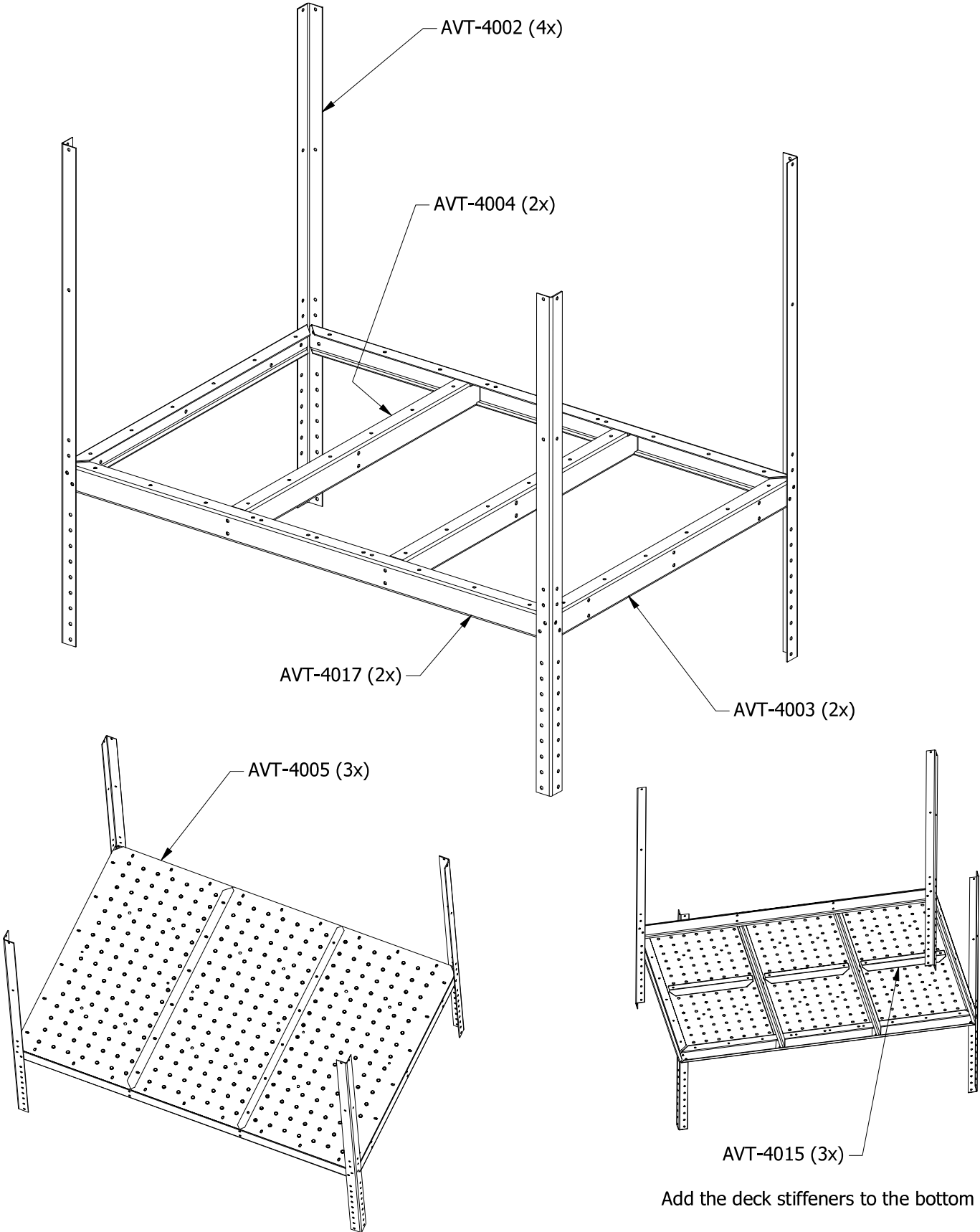
PARTS LIST

ITEM	QTY	PART NUMBER	DESCRIPTION
1	4	AVT-1003	Bracket, Foot 3x3
2	4	AVT-1060	Angle, Post, 60"
3	4	AVT-4002	Angle, Post, Top Long
4	2	AVT-4017	Channel, Siderail, Platform, 70"
5	2	AVT-4003	Channel, Siderail, Platform, 48"
6	2	AVT-4004	Channel, Support Crossmember
7	3	AVT-4015	Landing Platform Brace
8	3	AVT-4005	Landing Tread Plate
9	2	AVT-4012	Channel, Kickboard, Entry
10	1	AVT-4006	Channel, Kickboard, 48"
11	2	AVT-4018	Channel, Kickboard, 70"
12	2	AVT-4013	Strap, Mid Rail, Entry
13	1	AVT-4014	Strap, Mid Rail, 48"
14	2	AVT-4019	Strap, Mid Rail, 70"
15	1	TRS1504700	47" 1.5 dia, smashed ends
16	2	ART-2224	70" 1.5 dia, smashed ends
17	6	AVT-1065	Angle, Cross Brace, 60"
18	2	AVT-1064	Angle, Cross Brace, 64"
19	1	ART-1016	Left Stair Post, Guardrail
20	1	ART-1015	Right Stair Post, Guardrail
21	2	AVT-5001	Bracket, Stair Mount Top
22	2	ART-2226	Bottom handrail Loop



Frame Assembly

Bolt together the frame as shown
Attach the braces to the deck tread and secure the treads to the frame

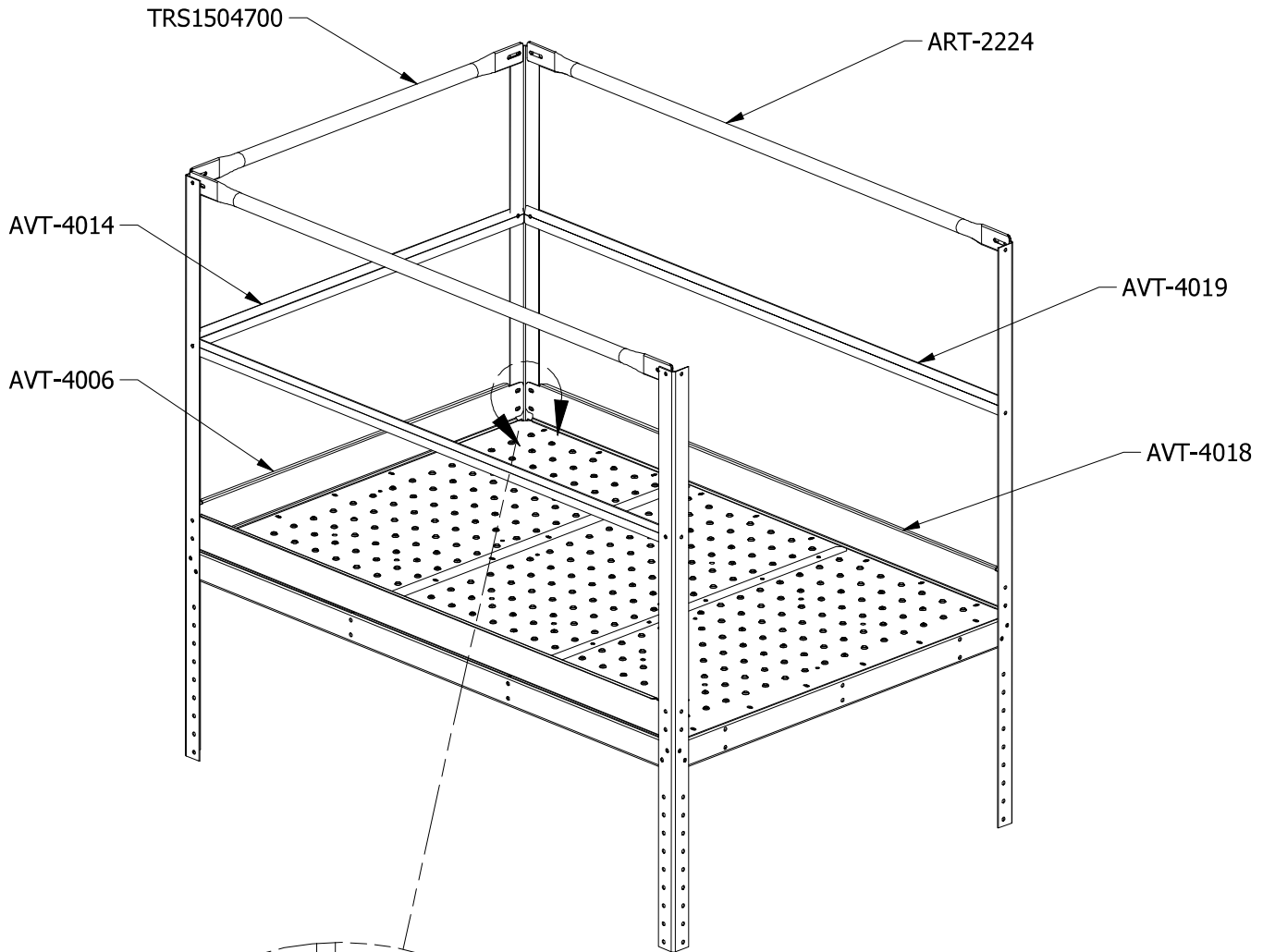


Add the deck stiffeners to the bottom

Gaurding Components

Select one short side to be the entry point and install kickboards, intermediate rails, and handrails on the remaining three sides.

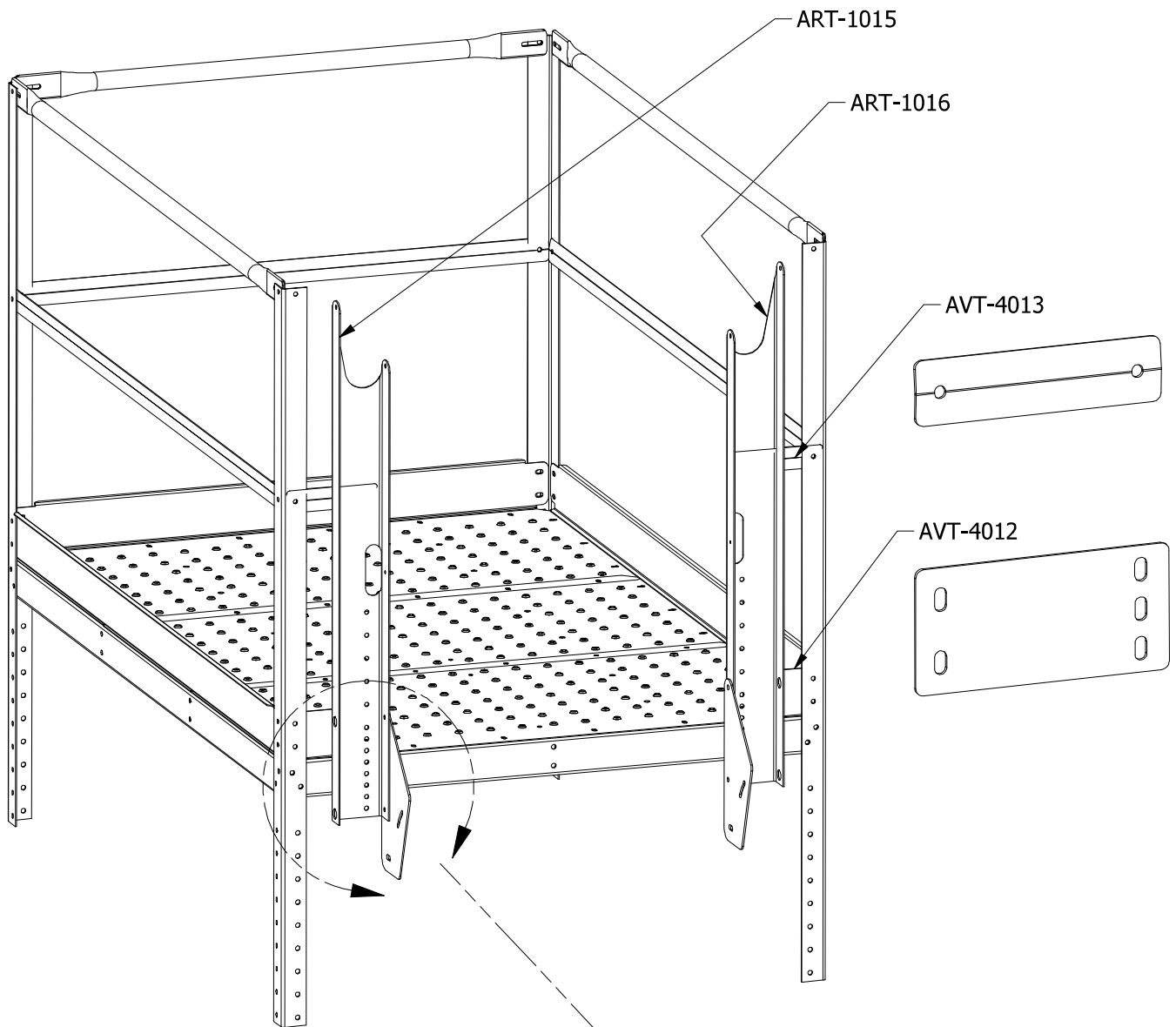
All components should be fastened to the inside surfaces of the posts.



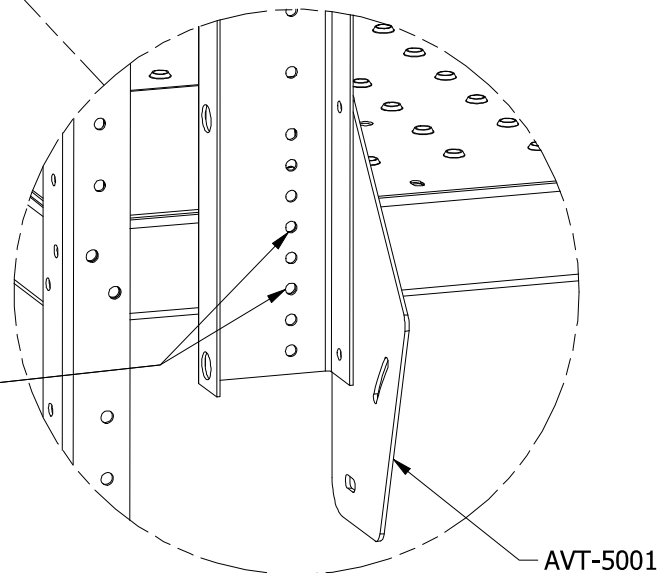
kickboards have a "z" profile,
the top points out and fits between the posts,
the bottom points in and closes the floor gap

Entry Components

Attach the entry posts as shown. Secure the posts with the short kickboards and short midrails.



Bolt stair post to platform frame
in 3rd and 5th holes



Variable Height Landing Legs

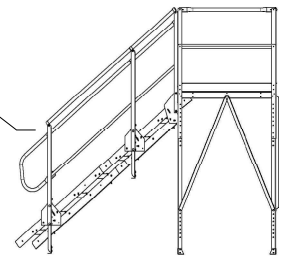
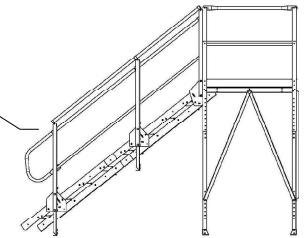
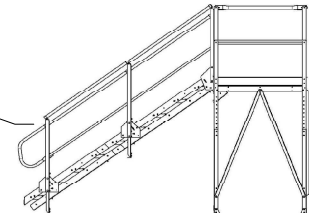
The AVT-1060 legs are designed to accommodate a range of platform heights, placing the deck surface between 66" and 80" above grade. Reference the table below for compatible stair configurations.

AVT44081 Rise distribution through range

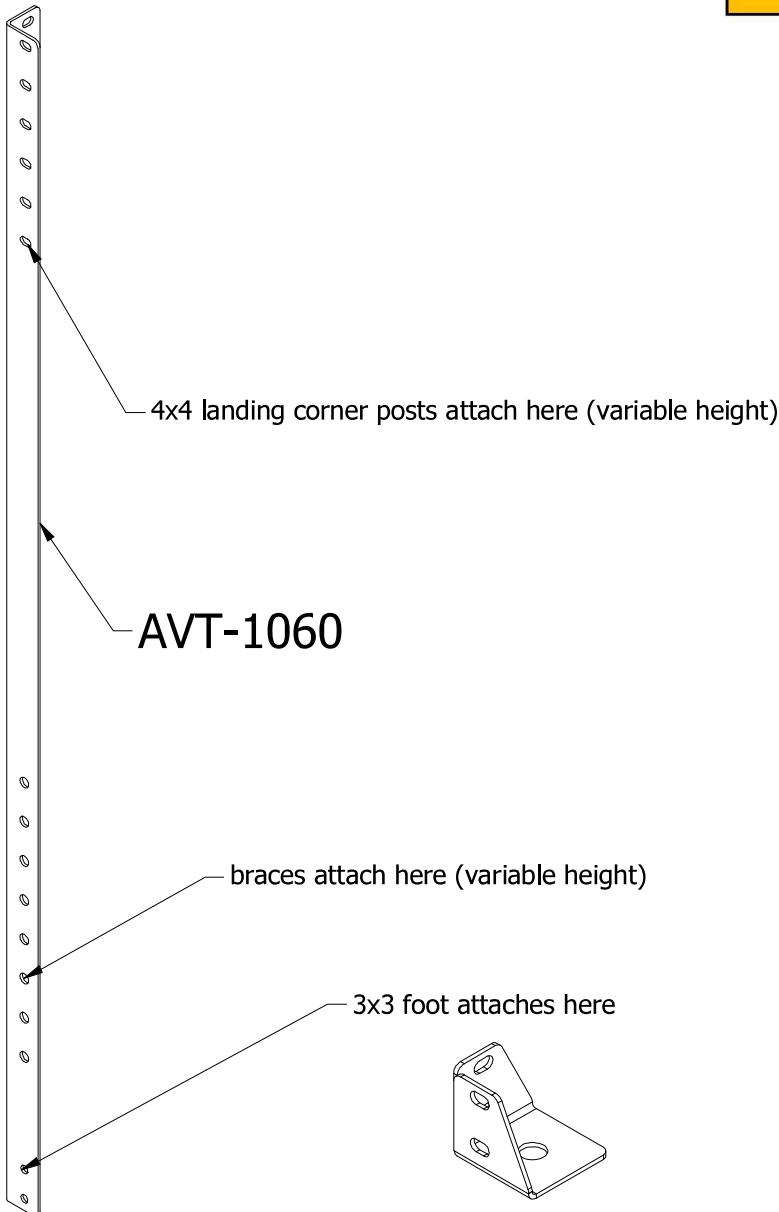
Deck Elevation	7-step	8-step	9-step
66" (5' 6")	8.25	7.33	6.80
68" (5' 8")	8.50	7.56	7.00
70" (5' 10")	8.75	7.78	7.20
72" (6')	9.00	8.00	7.40
74" (6' 2")	9.25	8.22	7.60
76" (6' 4")	9.50	8.44	7.80
78" (6' 6")		8.67	8.00
80" (6' 8")		8.89	

Rise scale

6.75
7.00
7.25
7.50
7.75
8.00
8.25
8.50
8.75
9.00
9.25
9.50



Example shown is 4x4 landing, the same distribution applies to the 4x6



Variable Height Landing Legs

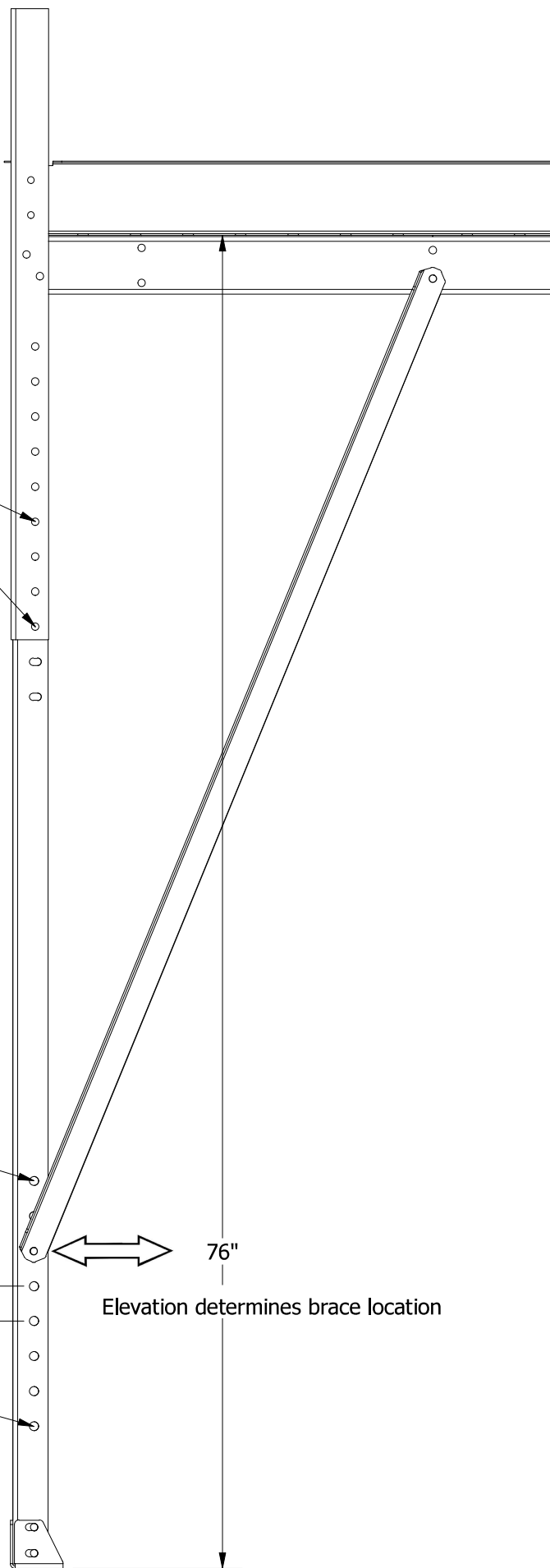
Example shown: 76" from grade to landing surface

Bolt to platform post in two locations

MAX height = 80"

Increment = 2.00

MIN height = 66"

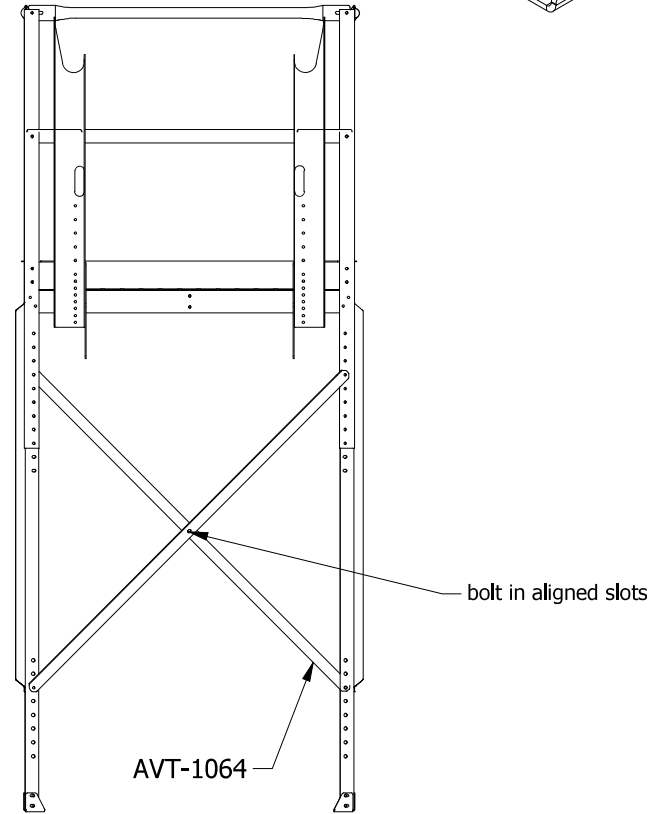
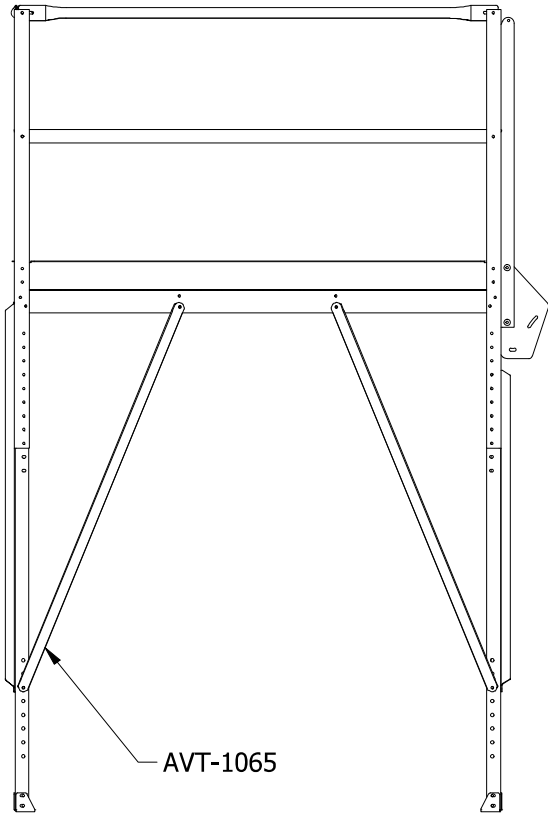
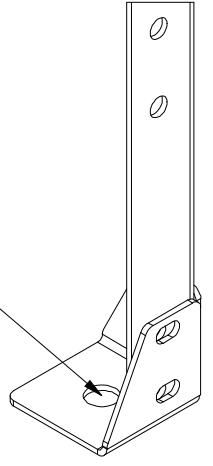


Elevation determines brace location

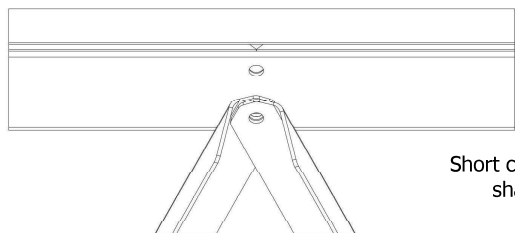
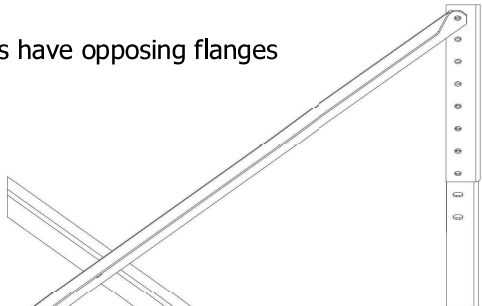
Bracing Components

On the stair entry side, use the AVT-1064 "X" braces.
On the remaining sides, use the AVT-1065 "V" braces as shown.

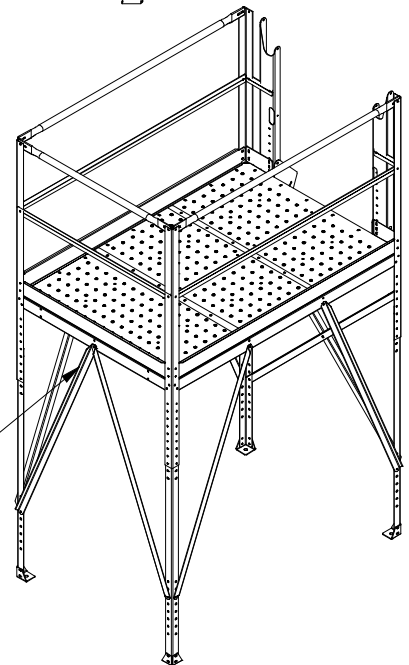
Attach the AVT-1003 3x3 feet, use the anchor holes if needed to secure the structure to the ground.



"X" braces have opposing flanges



Short closed side braces share a bolt location



Attach Stair Sections

Assemble the A-series Variable stair sections from stair instruction documents. Attach upper end of frame to platform entry section as shown.

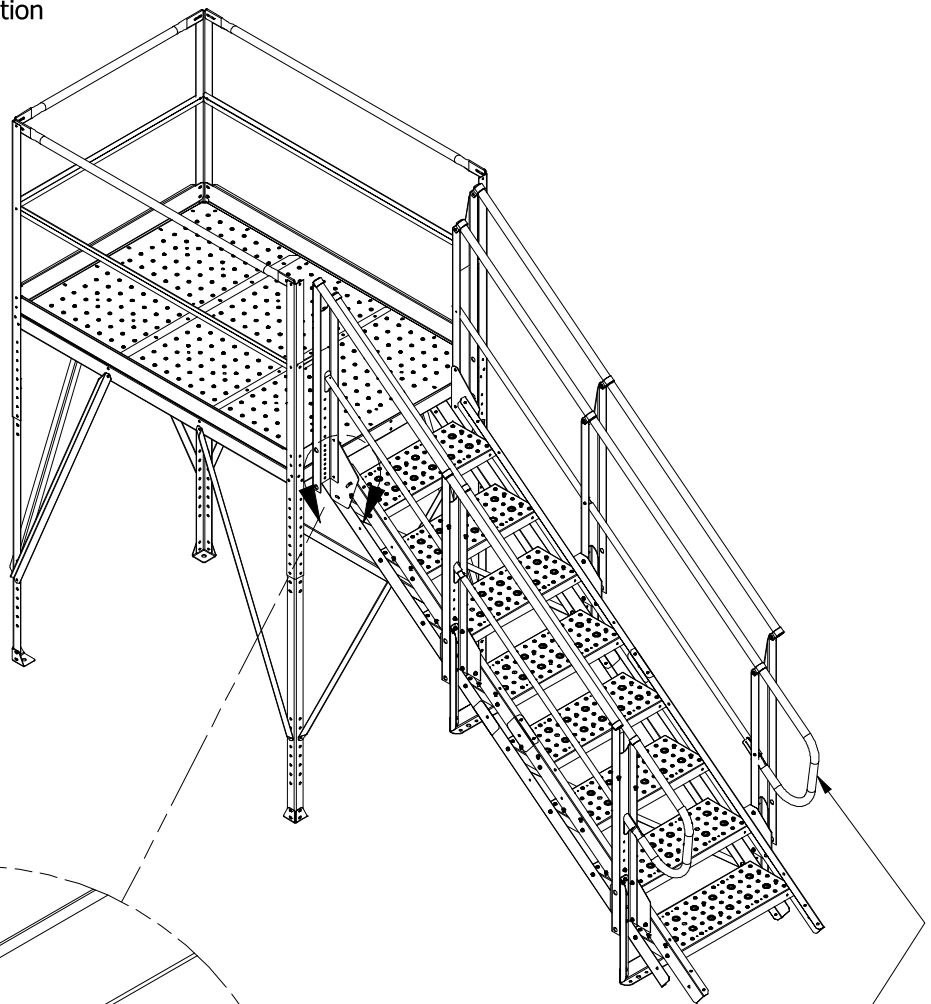
Attach ART-2226 end rails to bottom section

AVT46071 with 7 steps
= AVT1603 + AVT1604

AVT46081 with 8 steps
= AVT1604 x2

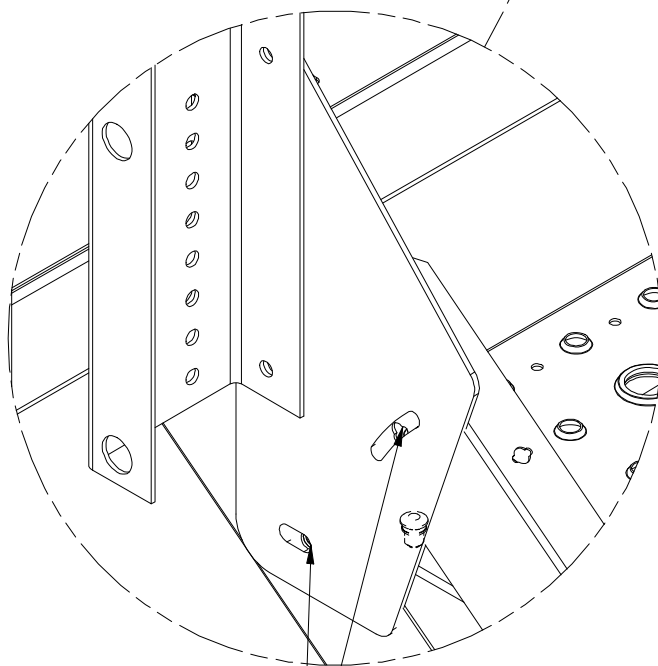
AVT46091 with 9 steps
= AVT1604 + AVT1605

Refer to page 6

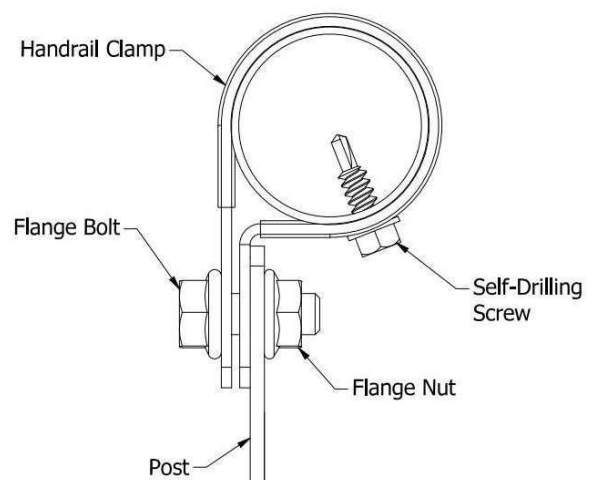


ART-2226
bottom end rails

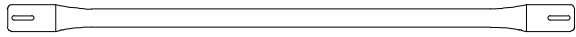
Outside of Stairs or Walkway →



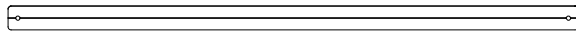
Bolt stair stringers
to stair mount bracket



Detail of Handrail Clamp Assembly



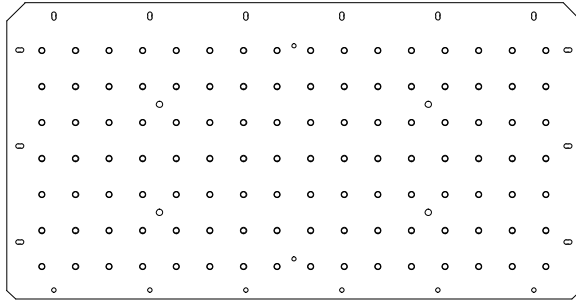
TRS1504700



AVT-4014

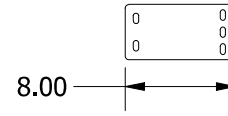


AVT-4006

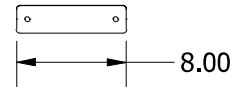


AVT-4005

AVT-4012

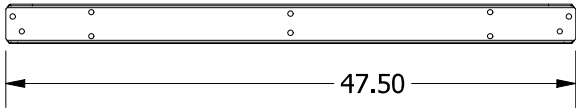
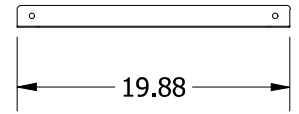


AVT-4013

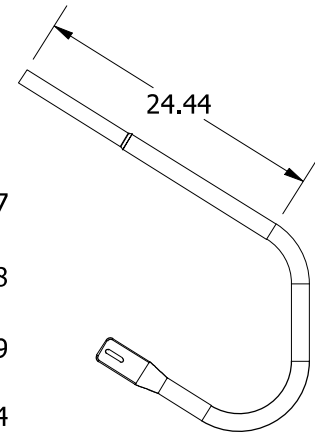


AVT-4004

AVT-4015



AVT-4003



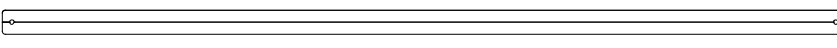
ART-2226



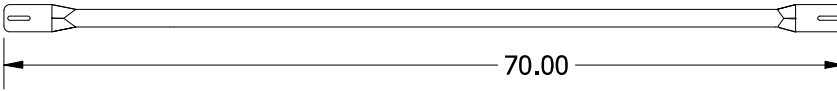
AVT-4017



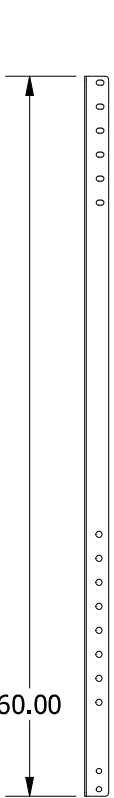
AVT-4018



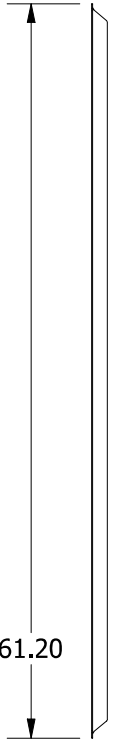
AVT-4019



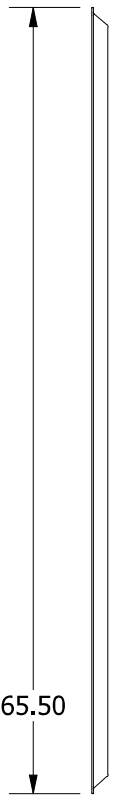
ART-2224



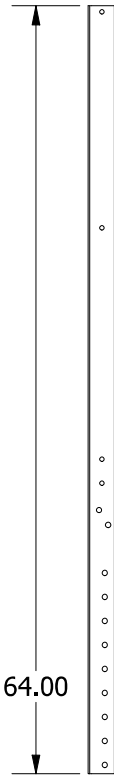
AVT-1060



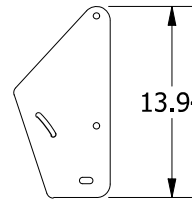
AVT-1065



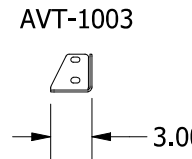
AVT-1064



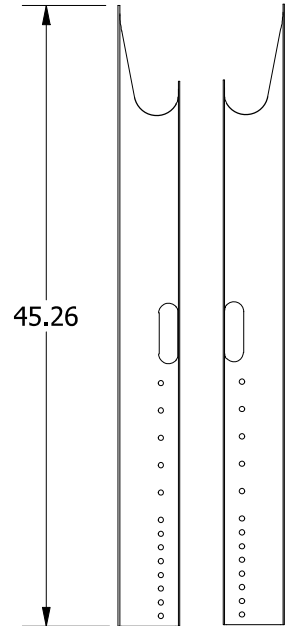
AVT-4002



AVT-5001



AVT-1003



ART-1015 & 1016