

AVT44071

AVT44081

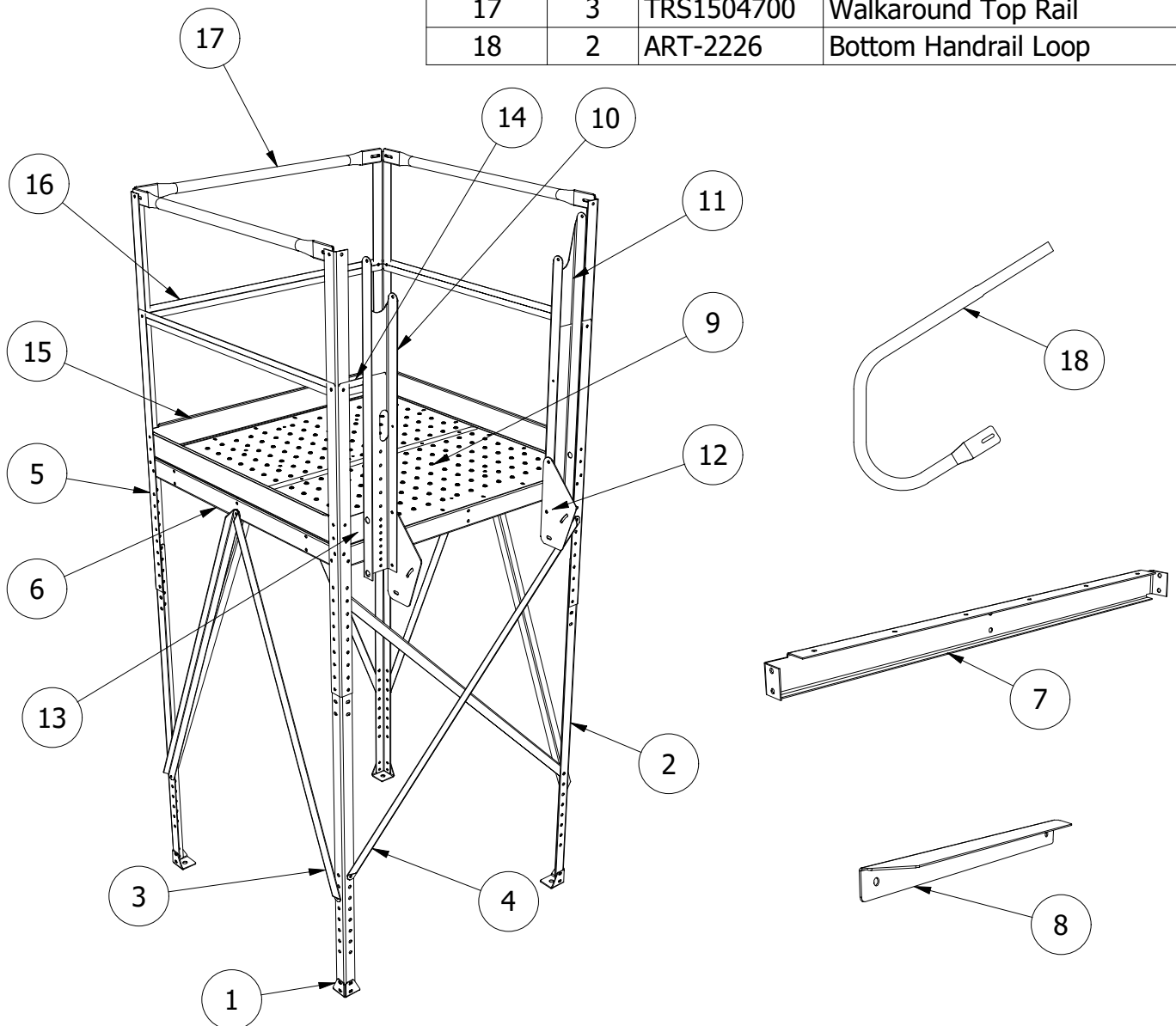
AVT44091

4x4 Platform with Variable 6 ft Elevation



**4x4 Platform Components**  
(Packed together on skid)

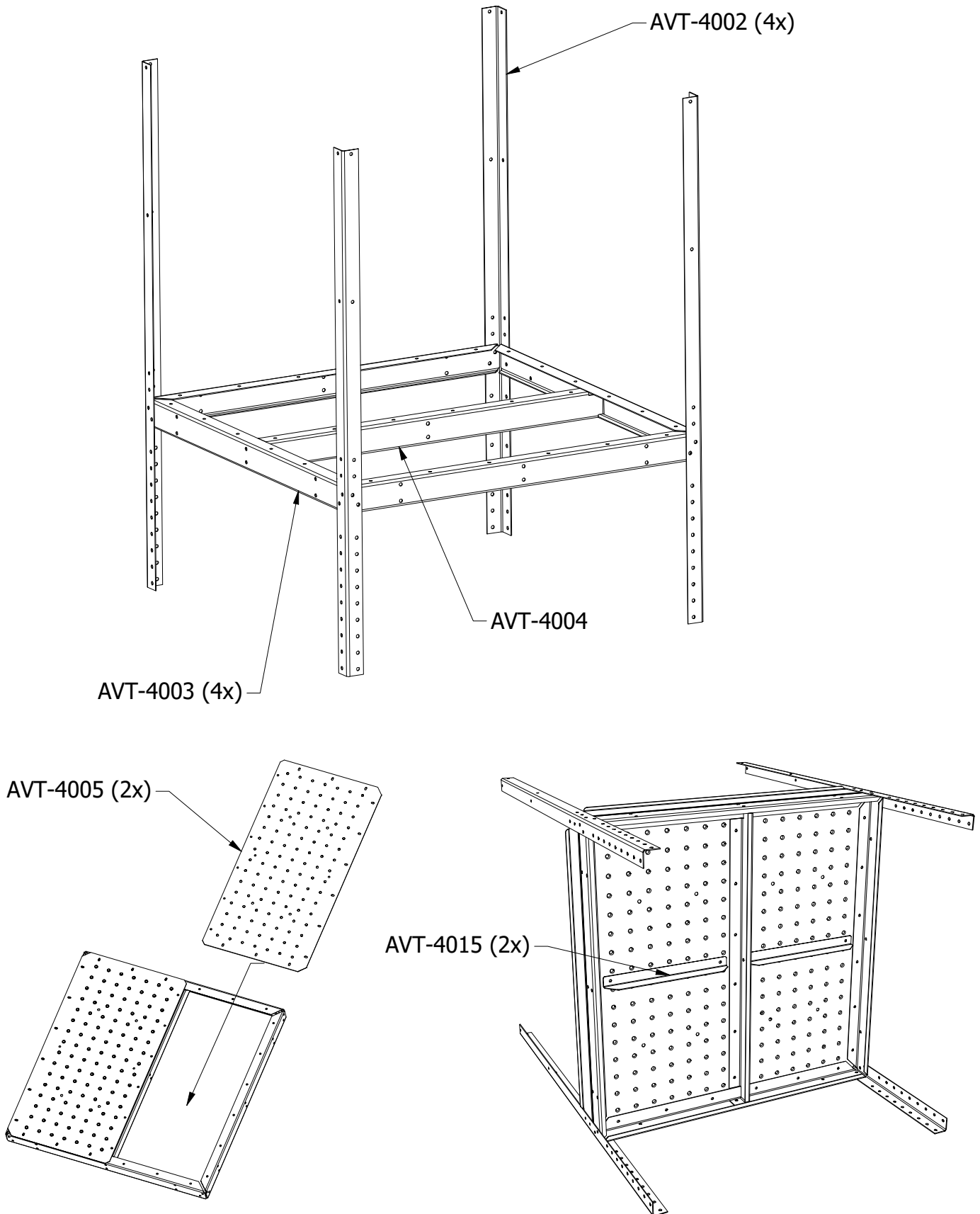
PARTS LIST			
ITEM	QTY	PART NUMBER	DESCRIPTION
1	4	AVT-1003	Bracket, Foot
2	4	AVT-1060	Angle, Post, 60"
3	6	AVT-1065	Angle, Cross Brace 60"
4	2	AVT-1064	Angle, Cross Brace 64"
5	4	AVT-4002	Angle, Post, Top Long
6	4	AVT-4003	Channel, Siderail, Platform
7	1	AVT-4004	Channel, Support Crossmember
8	2	AVT-4015	Landing Platform Brace
9	2	AVT-4005	Landing Tread Plate
10	1	ART-1015	Right Stair Post, Guardrail
11	1	ART-1016	Left Stair Post, Guardrail
12	2	AVT-5001	Bracket, Stair Mount Top
13	2	AVT-4012	Channel, Kickboard, Entry
14	2	AVT-4013	Strap, Mid Rail, Entry
15	3	AVT-4006	Channel, Kickboard
16	3	AVT-4014	Strap, Mid Rail, 4'
17	3	TRS1504700	Walkaround Top Rail
18	2	ART-2226	Bottom Handrail Loop



## Frame Assembly

Bolt together the frame as shown

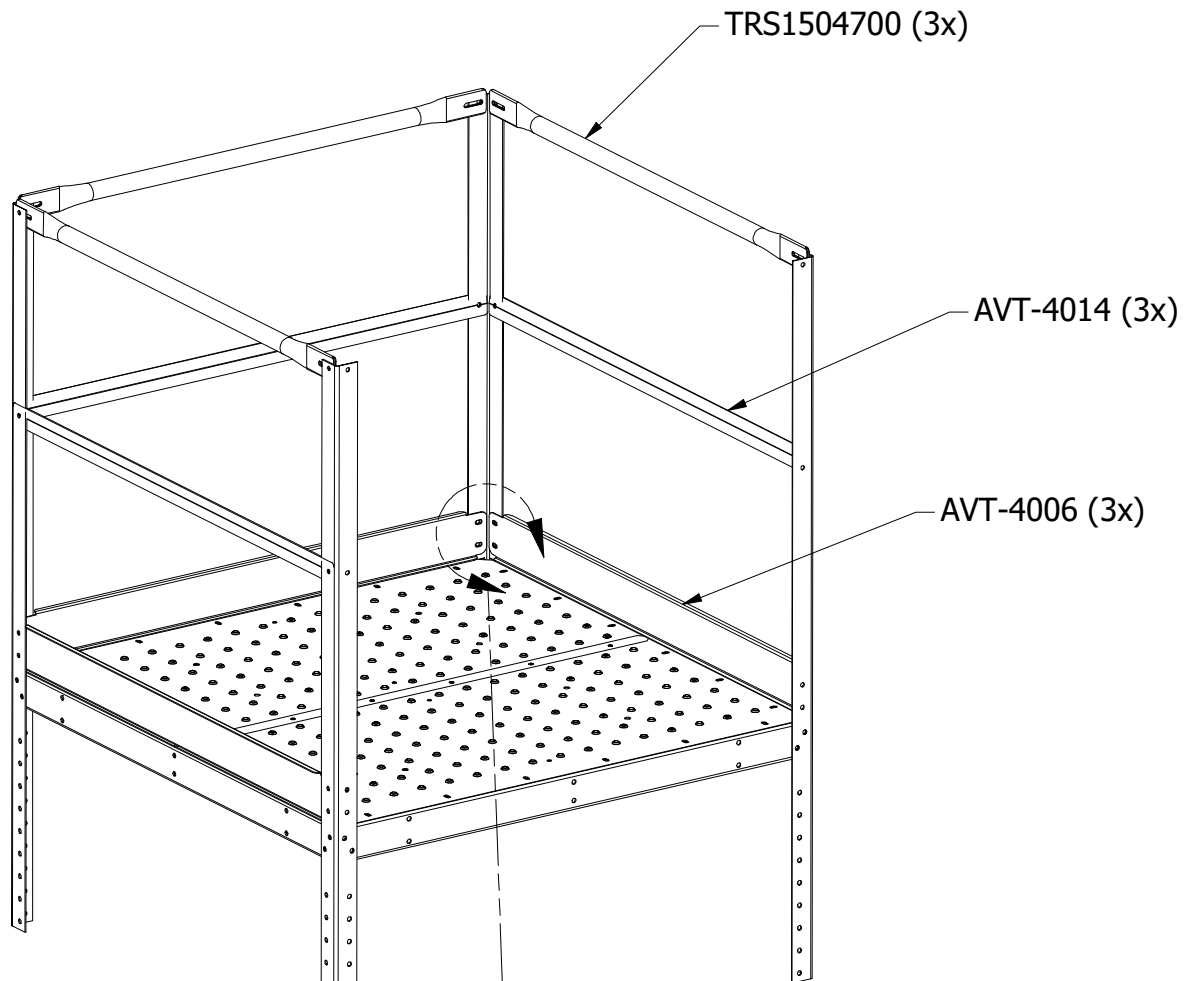
Attach the braces to the deck tread and secure the treads to the frame



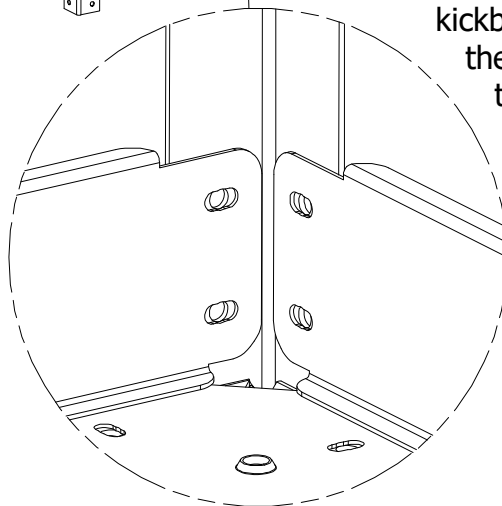
## Gaurding Components

Select one side to be the entry point and install kickboards, intermediate rails, and handrails on the remaining three sides.

All components should be fastened to the inside surfaces of the posts.

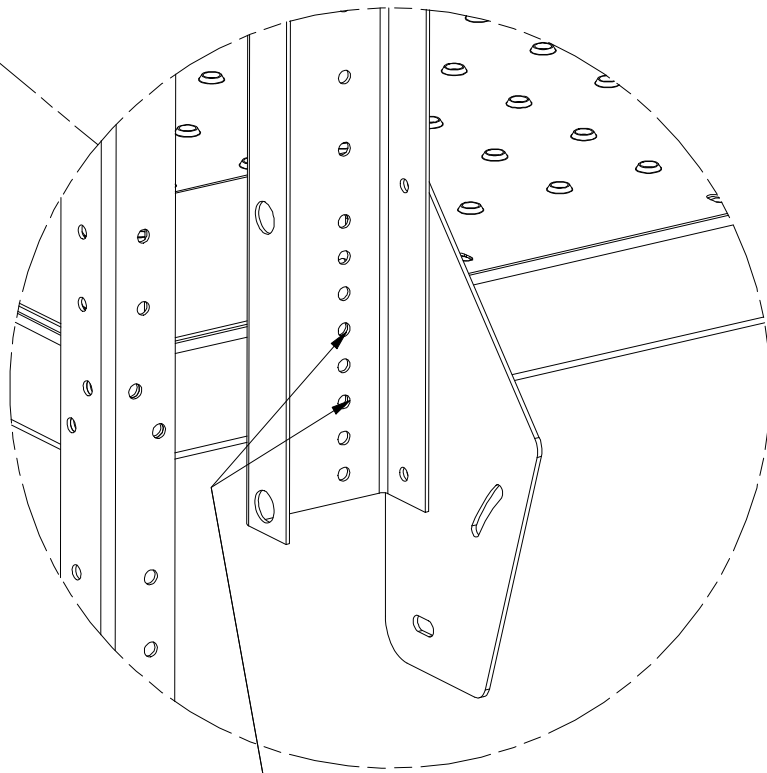
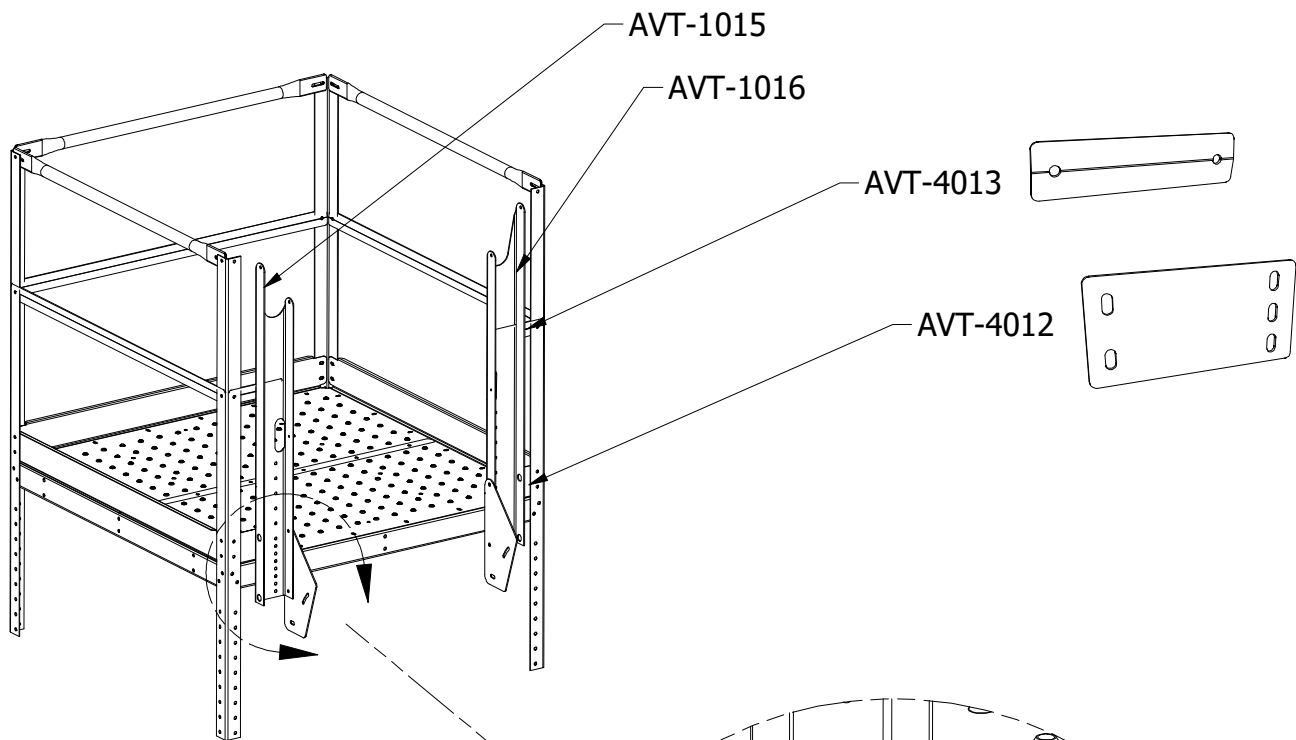


kickboards have a "z" profile,  
the top points out and fits between the posts,  
the bottom points in and closes the floor gap



## Entry Components

Attach the entry posts as shown. Secure the posts with the short kickboards and short midrails.



Bolt stair post to platform frame  
in 3rd and 5th holes

## Variable Height Landing Legs

The AVT-1060 legs are designed to accommodate a range of platform heights, placing the deck surface between 66" and 80" above grade. Reference the table below for compatible stair configurations.

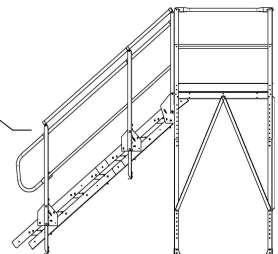
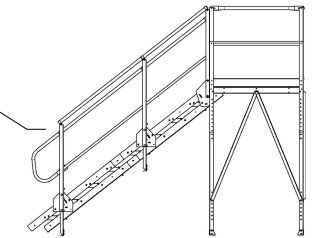
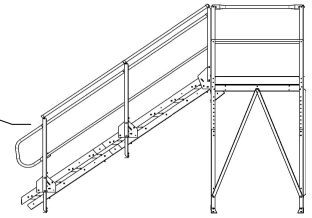
AVT44081

Rise distribution through range

Deck Elevation	7-step	8-step	9-step
66" (5' 6")	8.25	7.33	6.80
68" (5' 8")	8.50	7.56	7.00
70" (5' 10")	8.75	7.78	7.20
72" (6')	9.00	8.00	7.40
74" (6' 2")	9.25	8.22	7.60
76" (6' 4")	9.50	8.44	7.80
78" (6' 6")		8.67	8.00
80" (6' 8")		8.89	

Rise scale

6.75
7.00
7.25
7.50
7.75
8.00
8.25
8.50
8.75
9.00
9.25
9.50

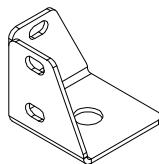


4x4 landing corner posts attach here (variable height)

AVT-1060

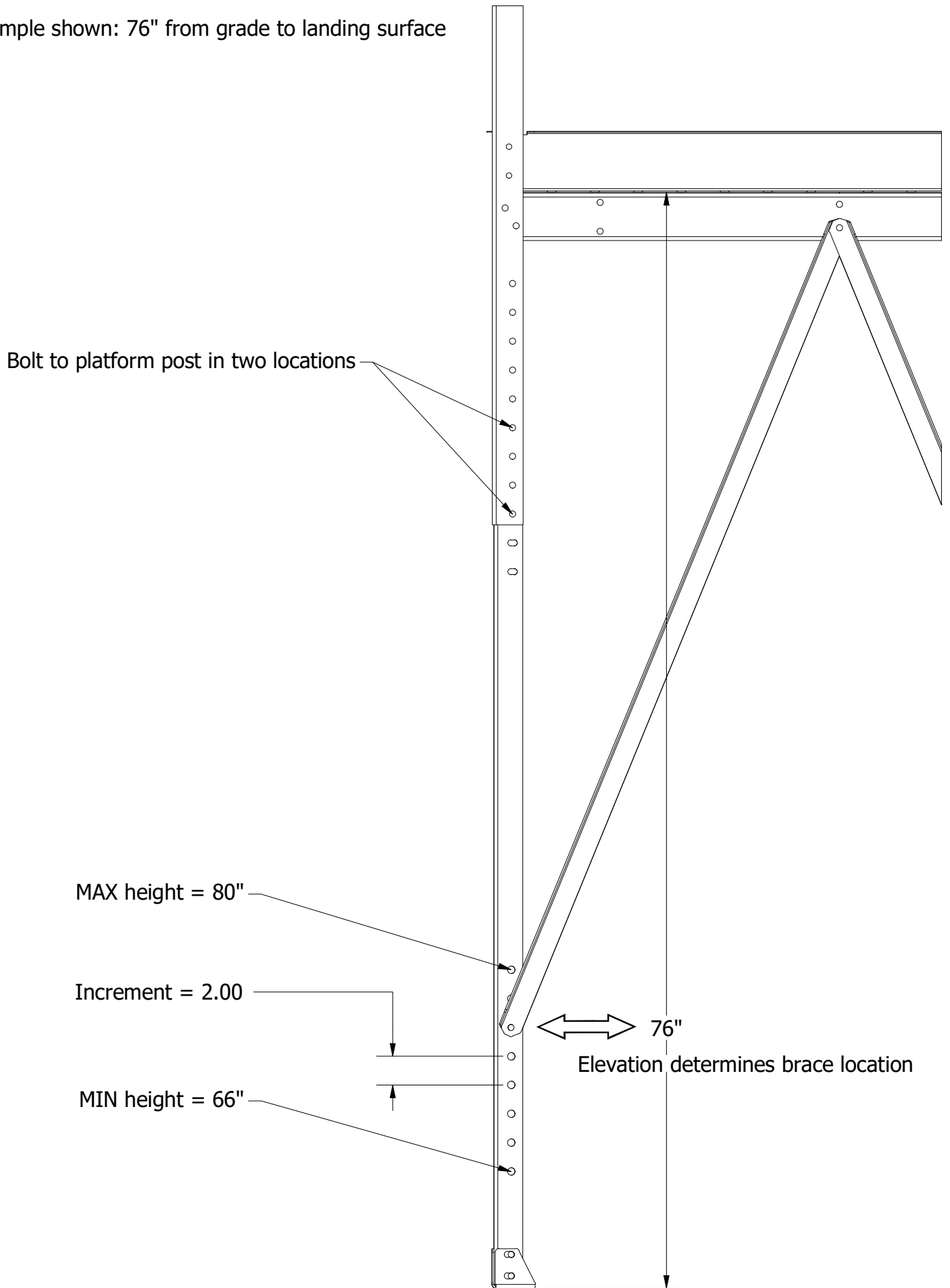
braces attach here (variable height)

3x3 foot attaches here



# Variable Height Landing Legs

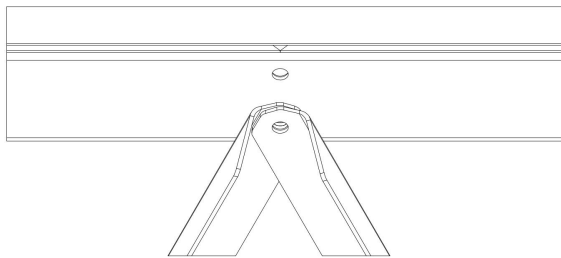
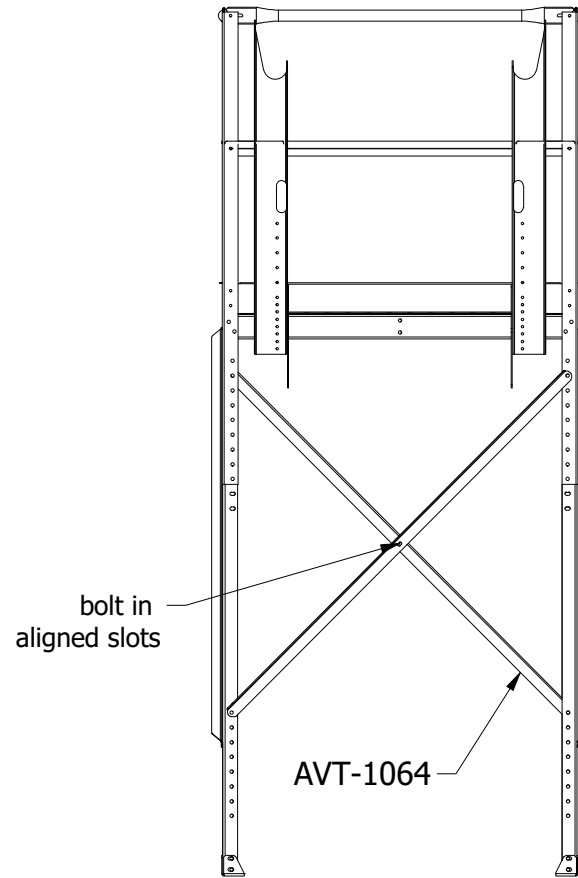
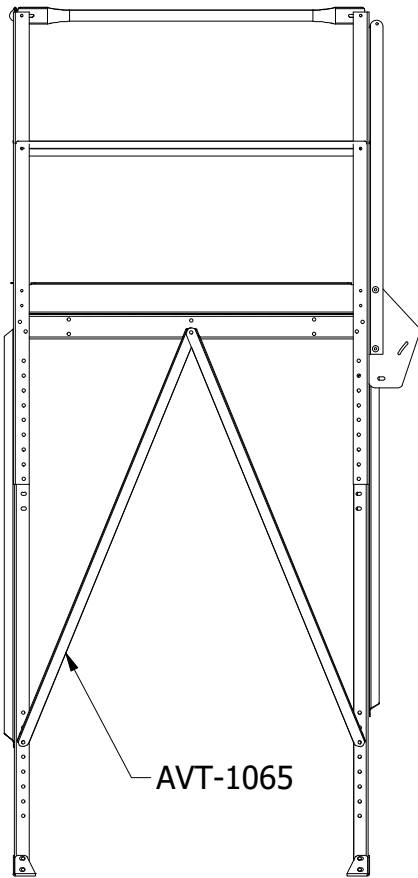
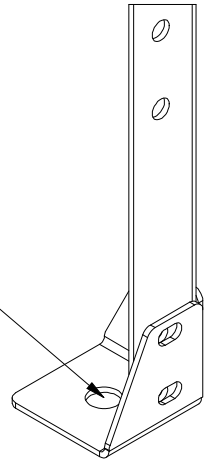
Example shown: 76" from grade to landing surface



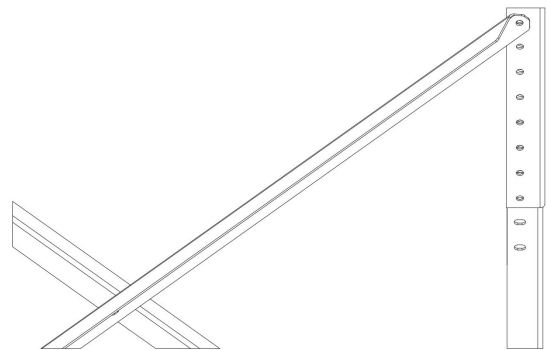
## Bracing Components

On the stair entry side, use the AVT-1064 "X" braces.  
On the remaining sides, use the AVT-1065 "V" braces as shown.

Attach the AVT-1003 3x3 feet, use the anchor holes if needed to secure the structure to the ground.



Detail of "V" brace at platform mount location



Detail of "X" brace; opposed flanges



## Attach Stair Sections

Assemble the A-series Variable stair sections from stair instruction documents. Attach upper end of frame to platform entry section as shown.

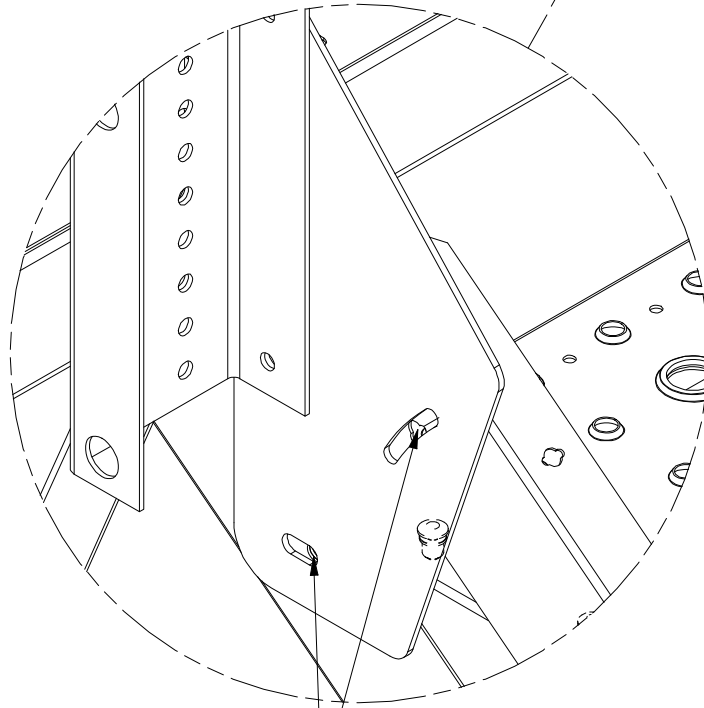
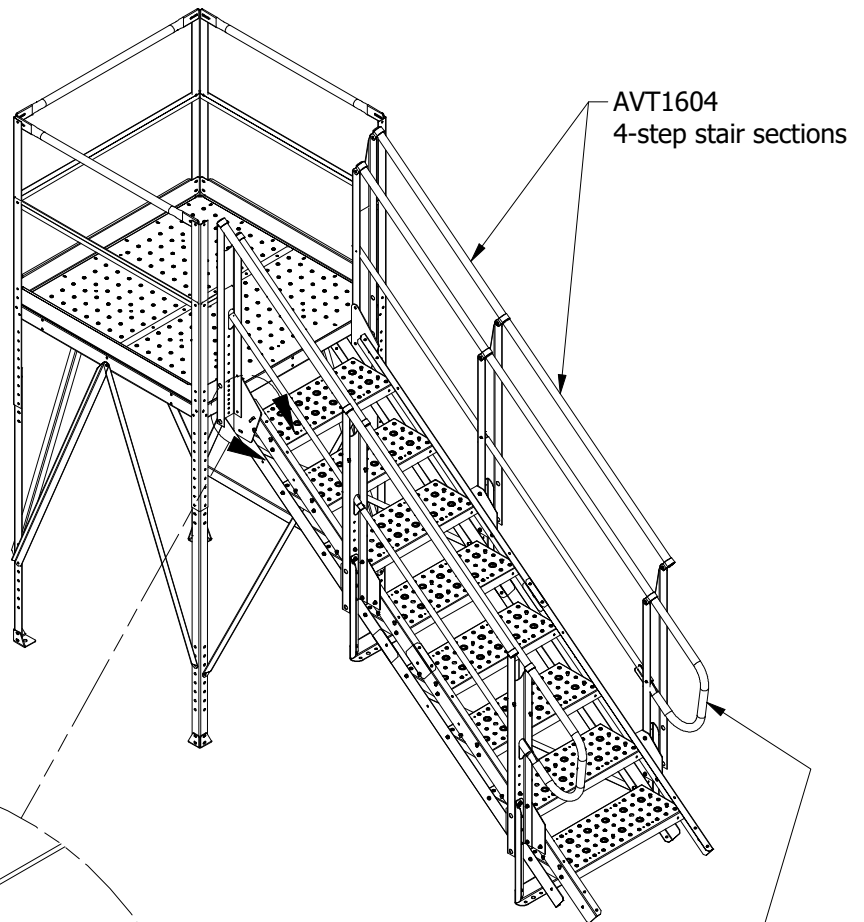
Attach ART-2226 end rails to bottom section

AVT44071 with 7 steps  
= AVT1603 + AVT1604

AVT44081 with 8 steps  
= AVT1604 x2

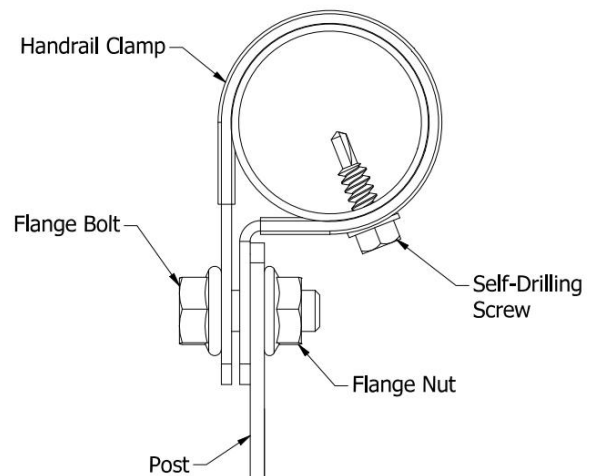
AVT44091 with 9 steps  
= AVT1604 + AVT1605

**Refer to page 6**

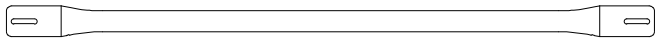


Bolt stair stringers  
to stair mount bracket

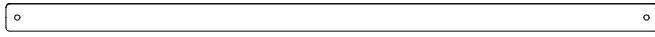
Outside of Stairs or Walkway →



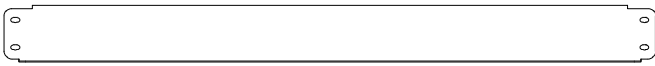
**Detail of Handrail Clamp Assembly**



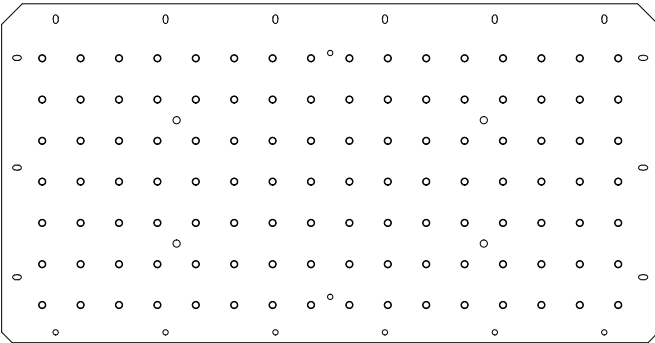
TRS1504700



AVT-4014

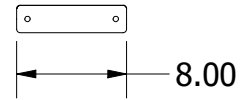


AVT-4006

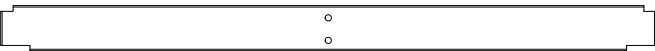
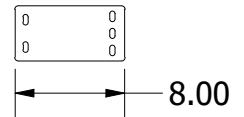


AVT-4005

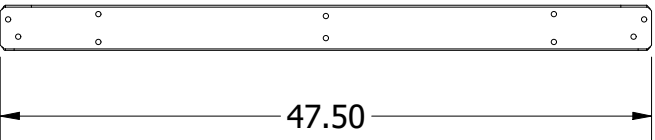
AVT-4013



AVT-4012

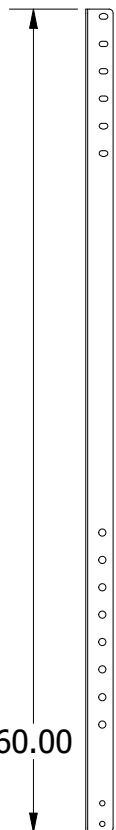
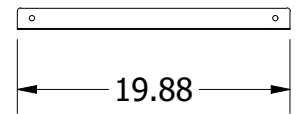


AVT-4004

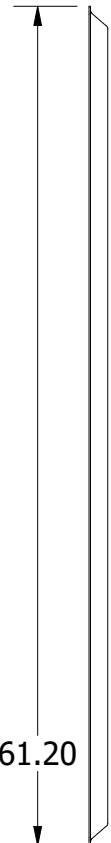


AVT-4003

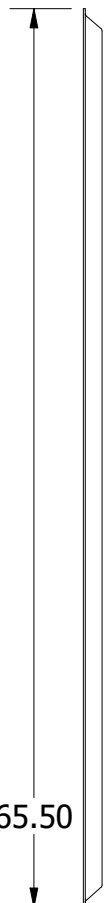
AVT-4015



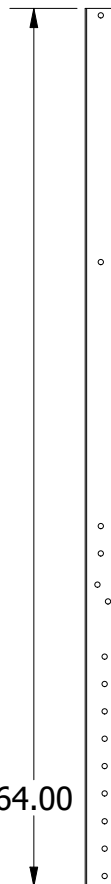
AVT-1060



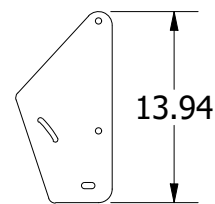
AVT-1065



AVT-1064

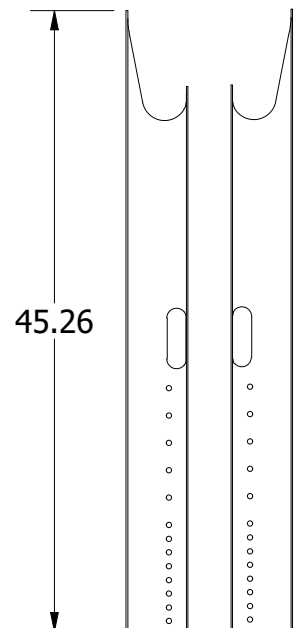
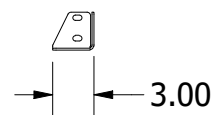


AVT-4002



AVT-5001

AVT-1003



ART-1015 & 1016