

A-Series Landing with Variable Stairs

AVT44041

4'x4' Landing with 4-Step Straight Up Stair Section

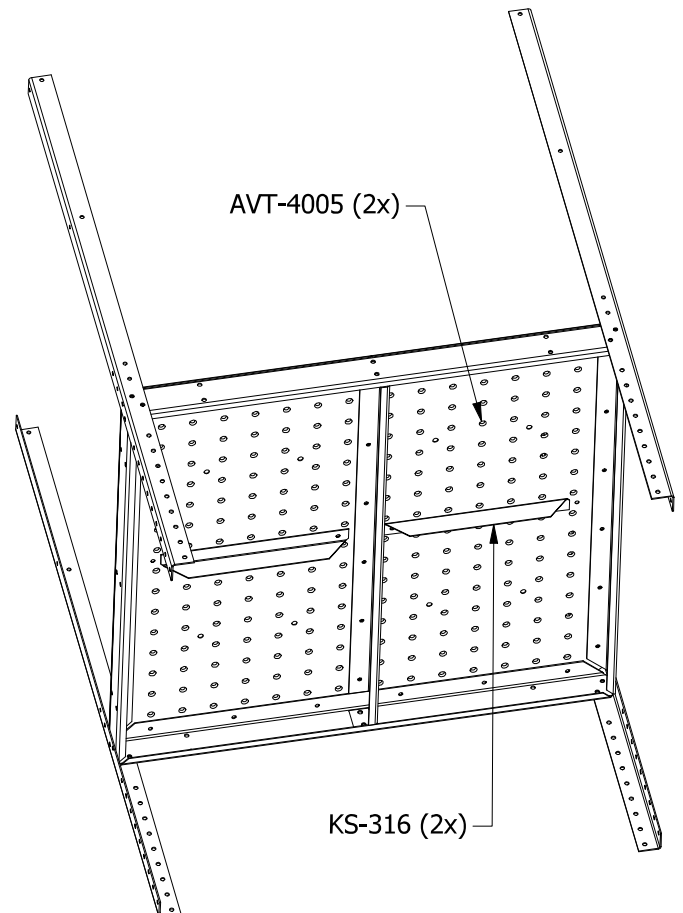
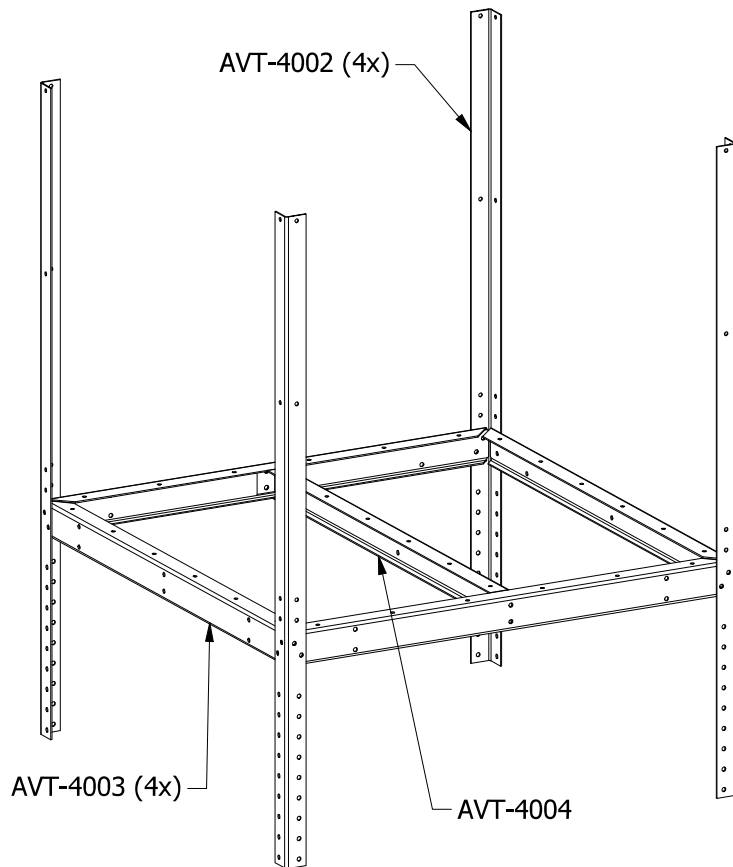
AVT44051

4'x4' Landing with 5-Step Straight Up Stair Section



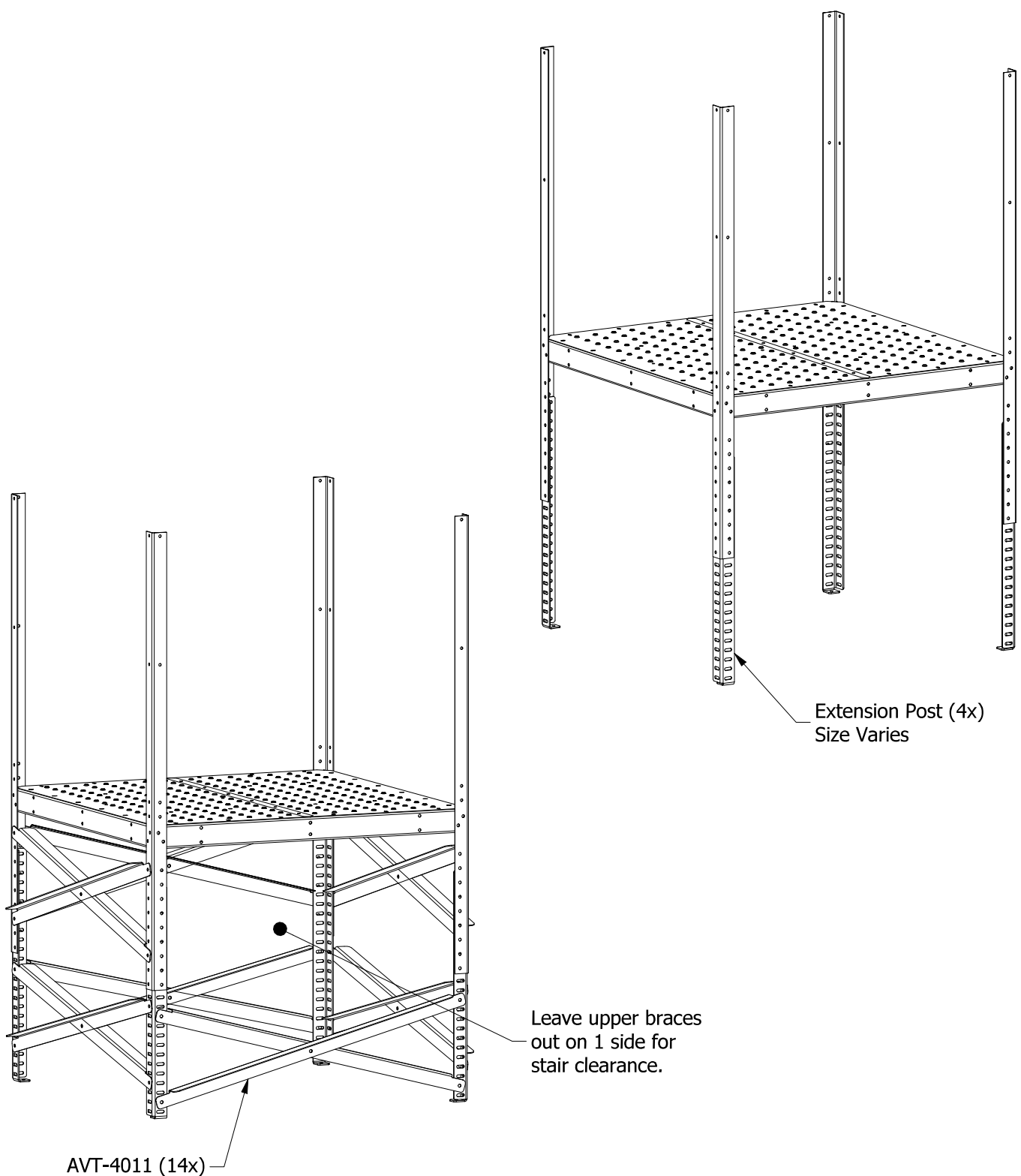
Frame Assembly

- Assemble the angle posts, siderails, and center crossmember, using 3/8" flange bolts and nuts.
- Attach the braces to the underside of the deck tread. Then attach the deck tread to the frame.



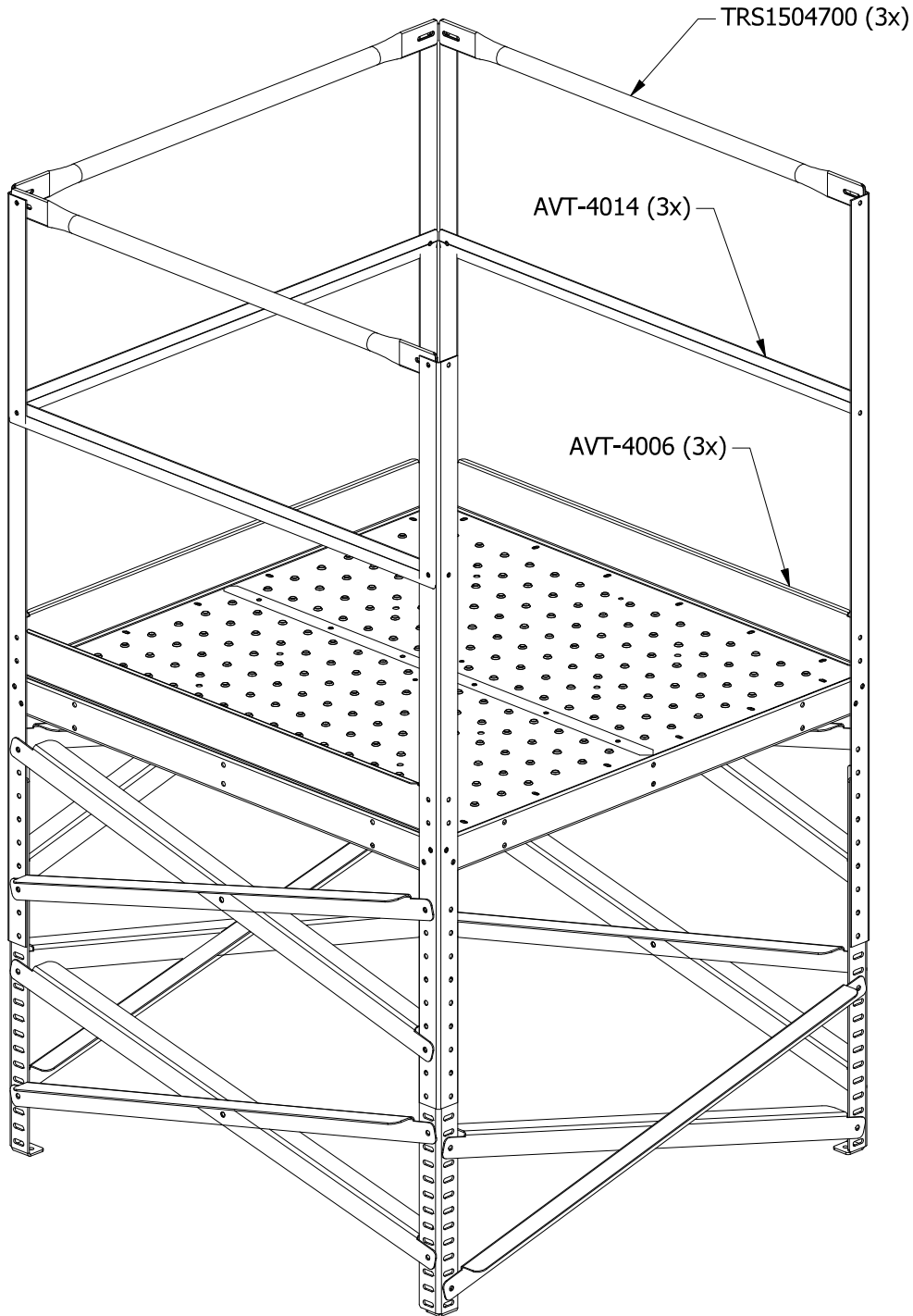
Extension Leg Assembly

- After determining the desired platform elevation, attach the extension legs to the insides of the angle posts.
- Attach the angle braces in a crossing pattern as shown. Use 4 braces per side, except on the stair entry side. Only use the lower set of braces on the stair opening side.
- The braces are installed facing back to back, with the flanges facing away from each other.
- Use 3/8" flange bolts and nuts for the above steps.



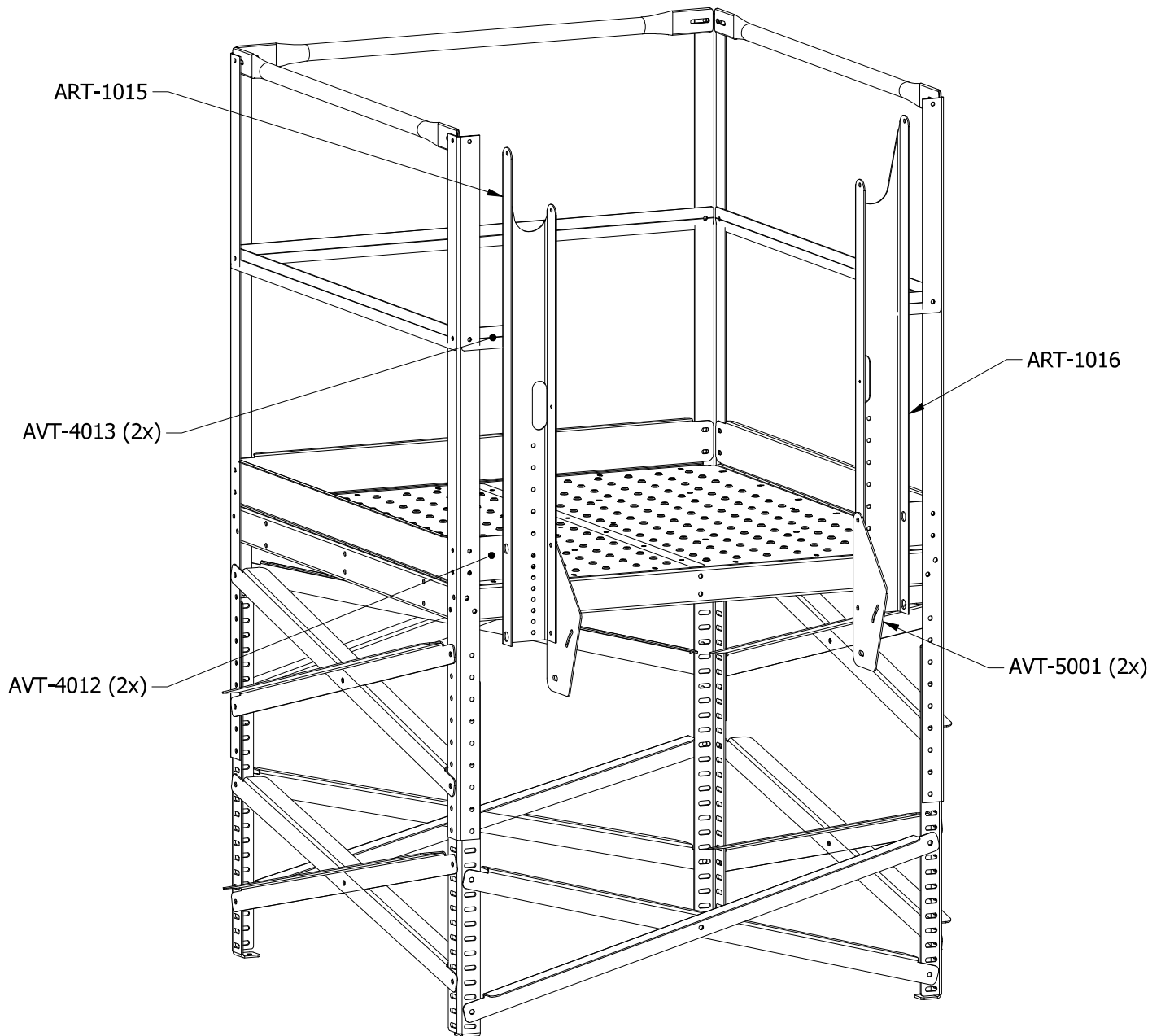
Railing and Kickboard Assembly

- Attach the handrails, intermediate rails, and kickboards on 3 sides. The opening should be on the side with only 2 angle braces installed in the previous step to allow clearance for the stairs.
- The handrails, intermediate rails, and kickboards should be installed from the inside of the platform.
- Use 5/16" flange bolts and nuts for the above steps.



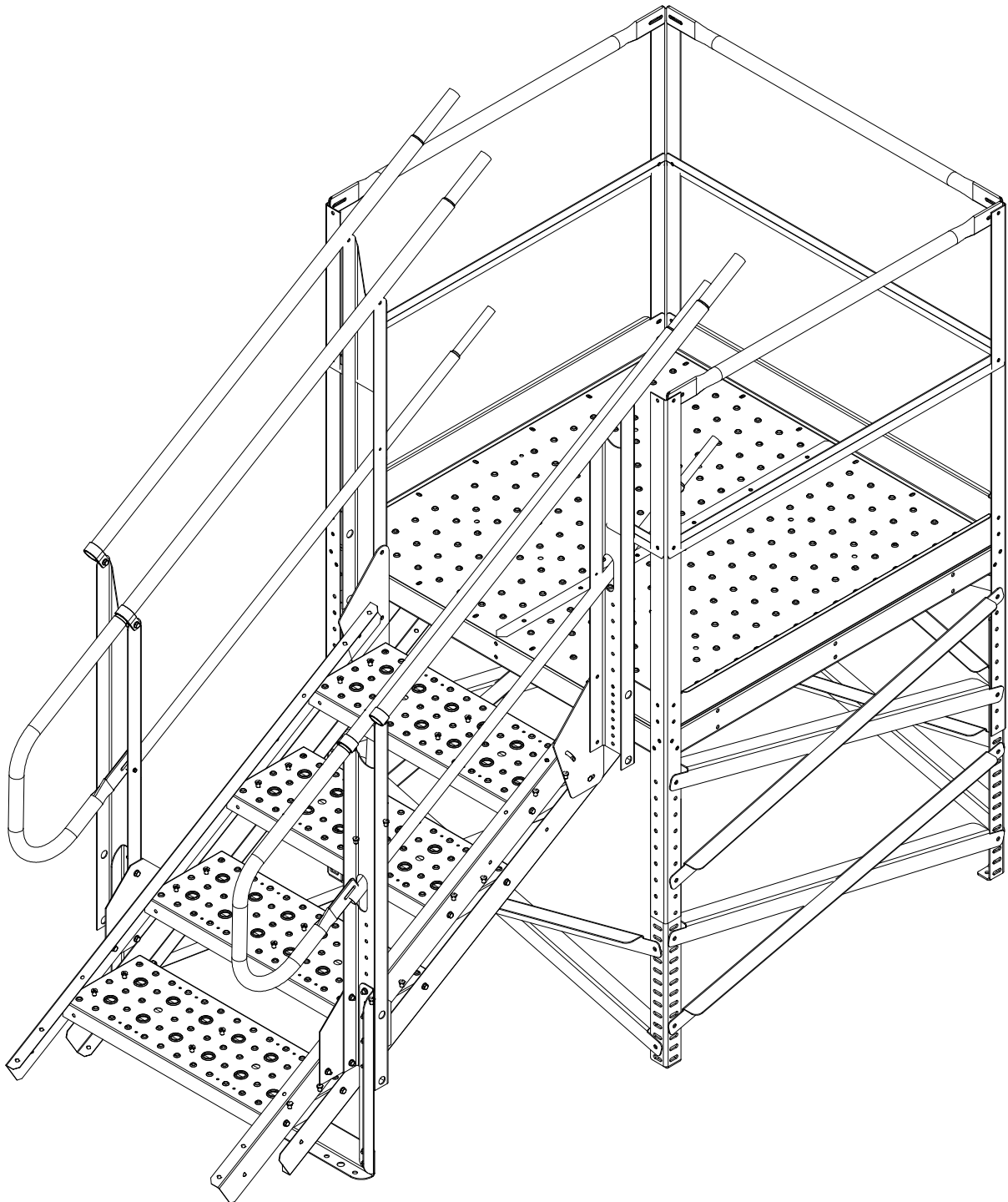
Entry Section

- Attach the right and left stair posts using the holes in the platform siderail, with 3/8" flange bolts and nuts.
- Attach the stair mount brackets to the right and left stair posts, using 3/8" flange bolts and nuts.
- Attach the entry int. rails and entry kickboards, using 5/16" flange bolts and nuts.



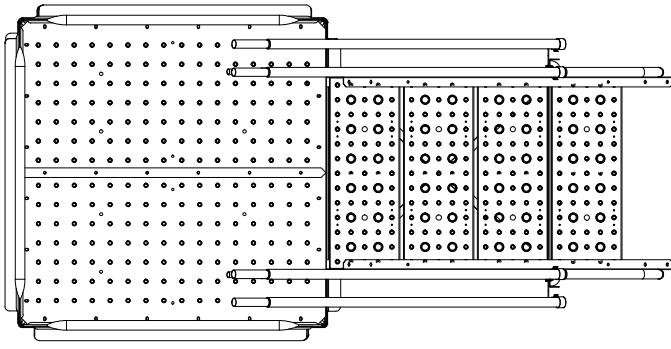
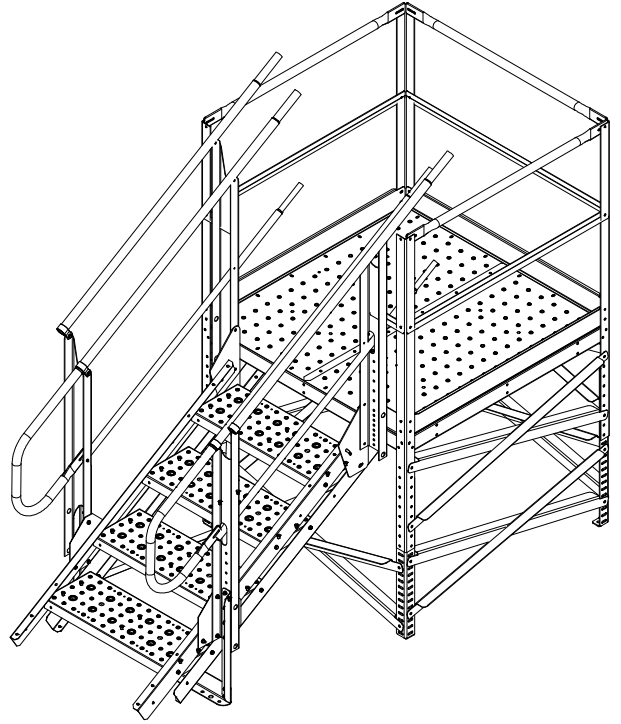
Stair Section

- Assemble the stair section according to the stair assembly instructions.
- Attach the stair section to the stair mount brackets.
- Adjust the stair pitch and level the steps before final tightening of the bolts.
- Install the bottom end rail loops.
- The handrails may be field cut to be flush to the top posts at the platform.

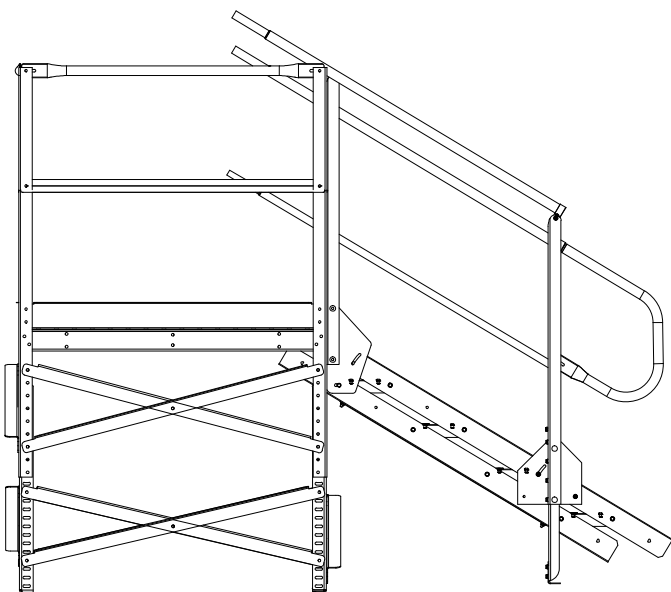


AVT44041

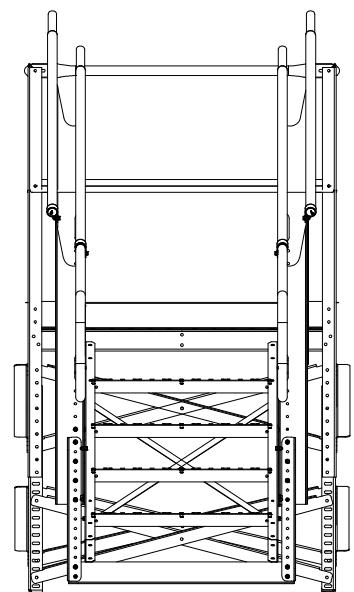
A-Series, 4'x4' Landing,
4 Step Straight Up Stair Section



Top View



Side View

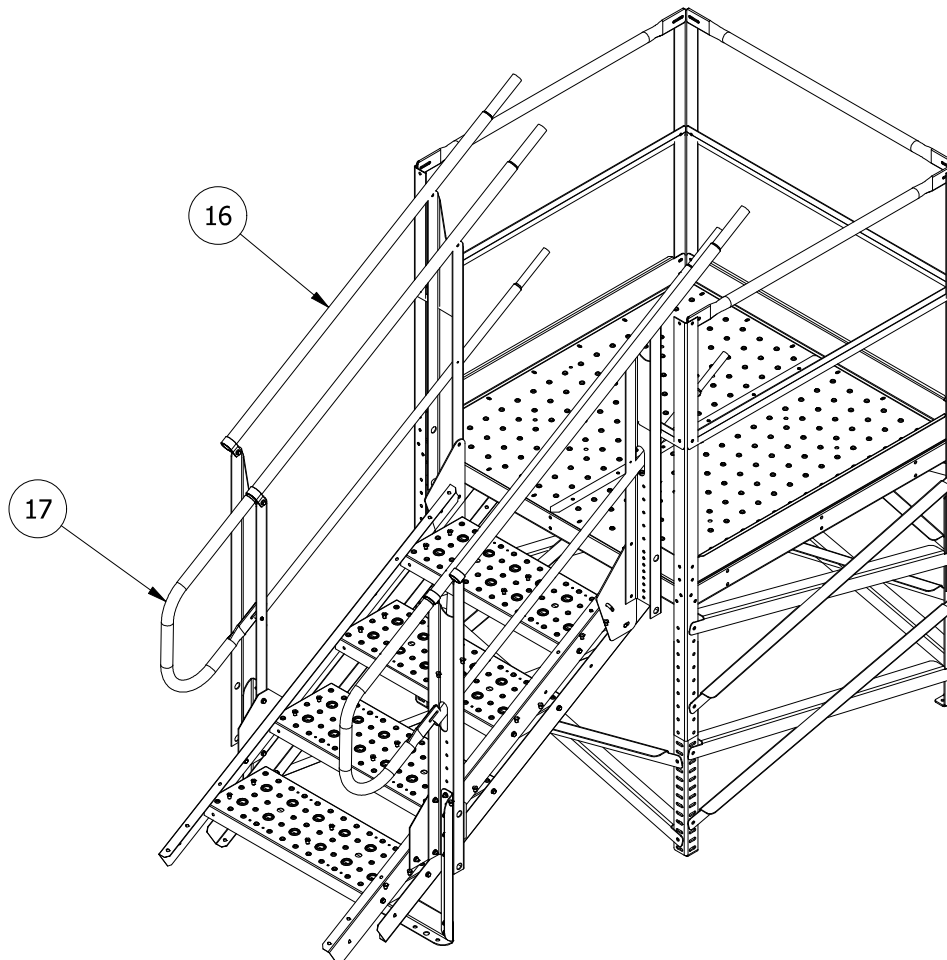


Front View

AVT44041

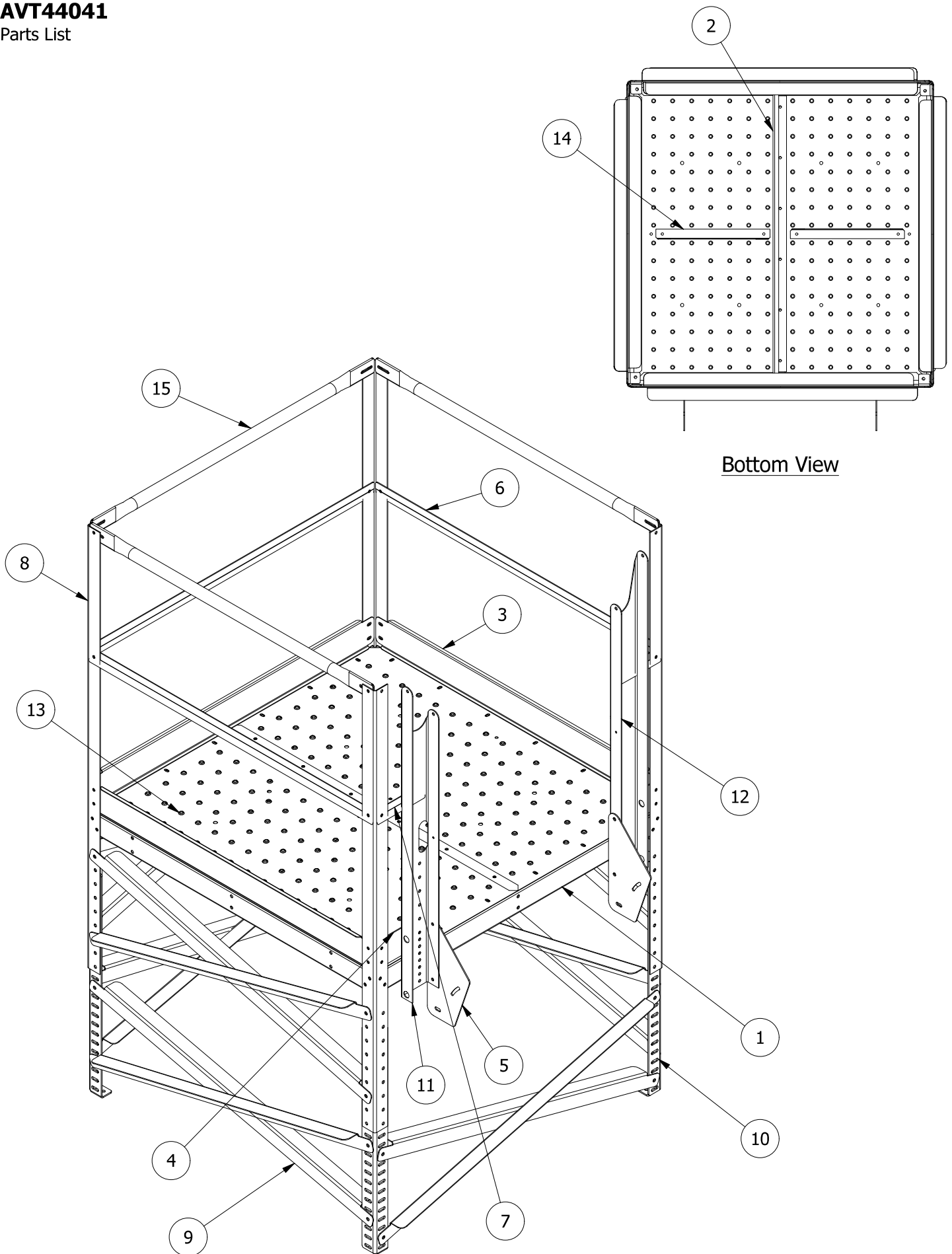
Parts List

PARTS LIST, AVT44041			
ITEM	QTY	PART NUMBER	DESCRIPTION
1	4	AVT-4003	Channel, Siderail, Platform
2	1	AVT-4004	Channel, Support Crossmember
3	3	AVT-4006	Channel, Kickboard
4	2	AVT-4012	Channel, Kickboard, Entry
5	2	AVT-5001	Bracket, Stair Mount Top
6	3	AVT-4014	Strap, Mid Rail, 4'
7	2	AVT-4013	Strap, Mid Rail, Entry
8	4	AVT-4002	Angle, Post, Top Long
9	14	AVT-4011	Angle, Brace
10	4	AVT-4009	Angle, Post, Extension 4
11	1	ART-1015	Right Stair Post, Guardrail
12	1	ART-1016	Left Stair Post, Guardrail
13	2	AVT-4005	Landing Tread Plate
14	2	KS-316	Skin Narrow Brace
15	3	TRS1504700	47 in 1.50 Tubing Smashed Both Ends
16	1	AVT1604	A-Series 4 Step Variable Stair Section
17	2	ART-2226	Bottom End Rail



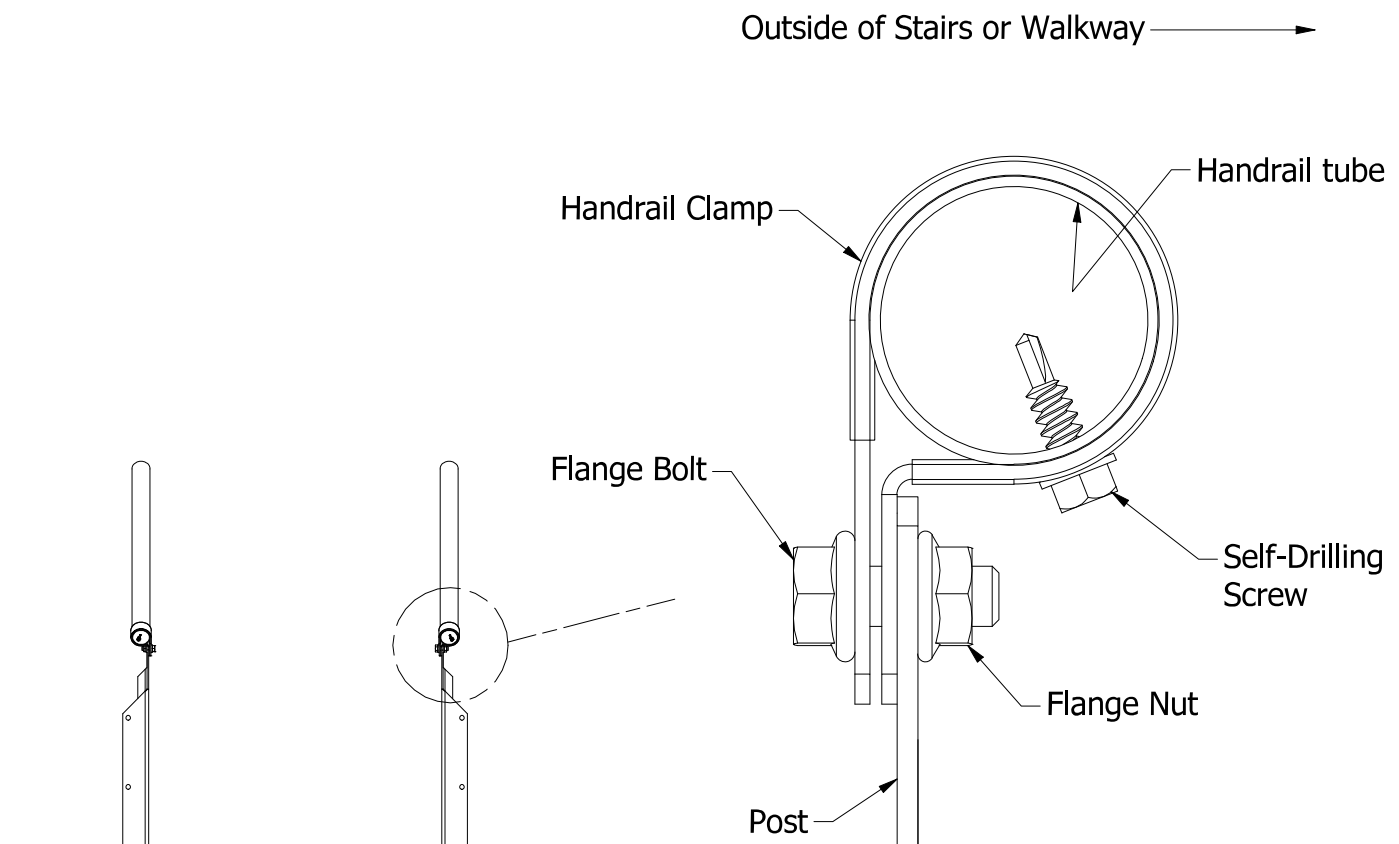
AVT44041

Parts List

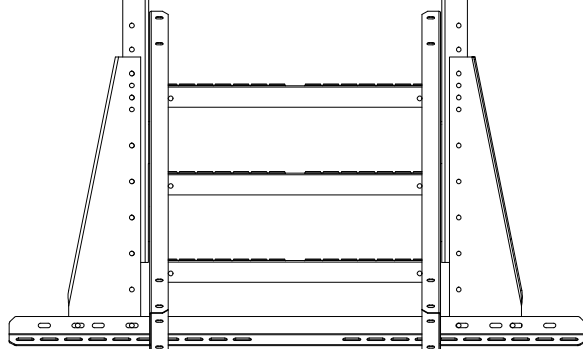


Handrail Clamp Installation Instructions

- Position the handrail clamp so it is oriented facing outward, and so it does not interfere into the width of the stairs or walkway.
- Insert the bolt through both holes on the handrail clamp first, then push the bolt through the hole in the stair post from the inside. Install the nut on the outside so that the bolt head is on the inside of the stairs.
- Fasten the clamp tightly together so it is closed around the handrail, making sure the post is not between the two tabs.
- Install a self-drilling screw into the handrail clamp and through the handrail. It should be positioned on the outside near the bottom, approximately as shown, to minimize contact with the hands.



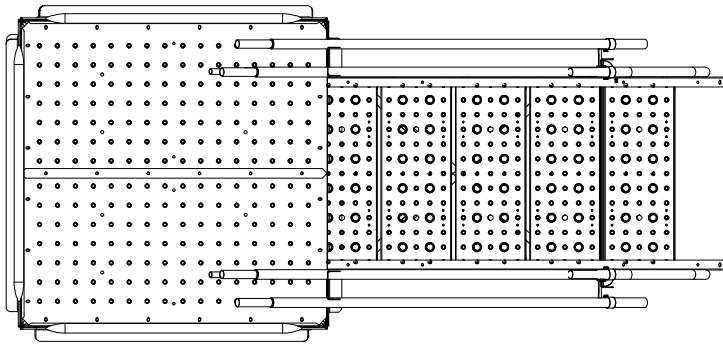
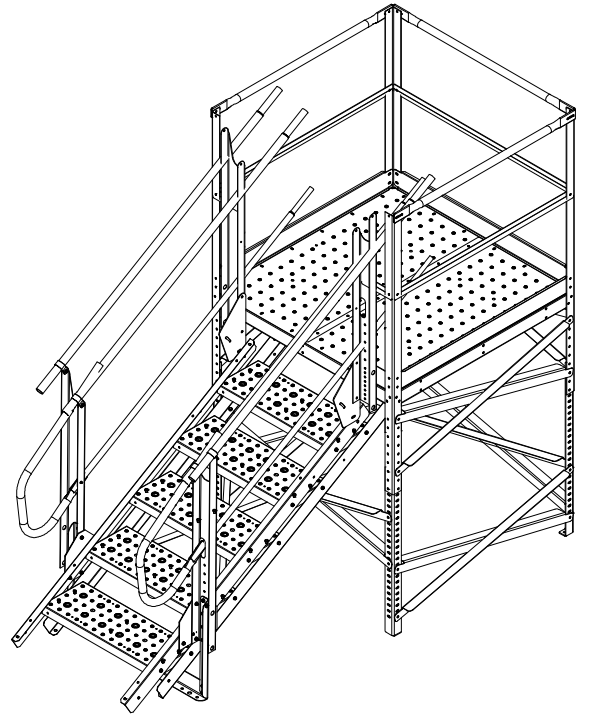
Detail of Handrail Clamp Assembly



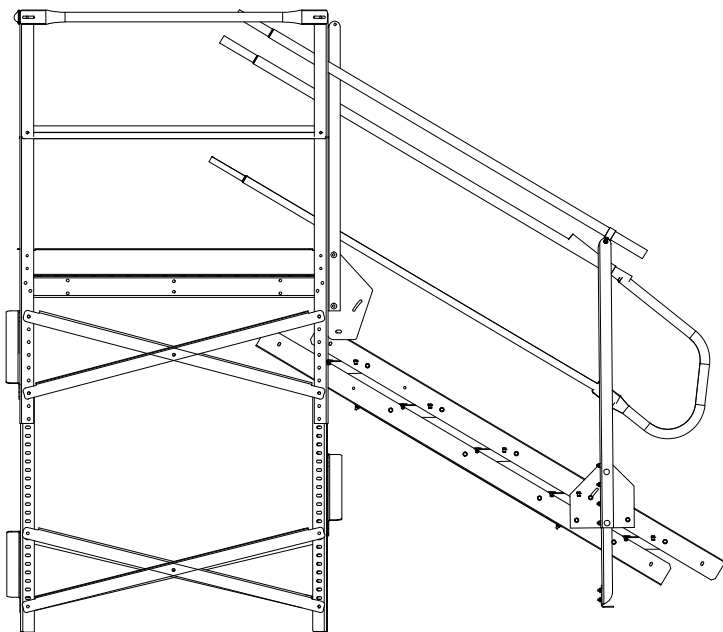
Roof Stair Example Shown

AVT44051

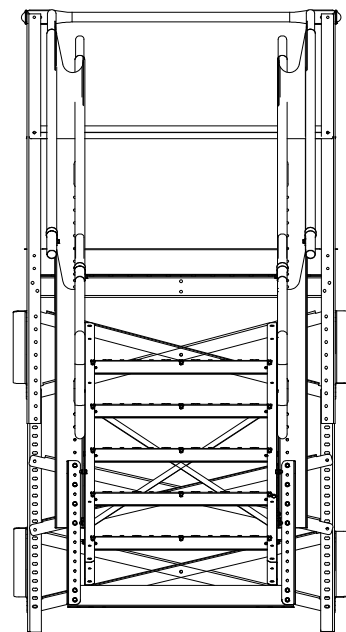
A-Series, 4'x4' Landing,
5 Step Straight Up Stair Section



Top View



Side View

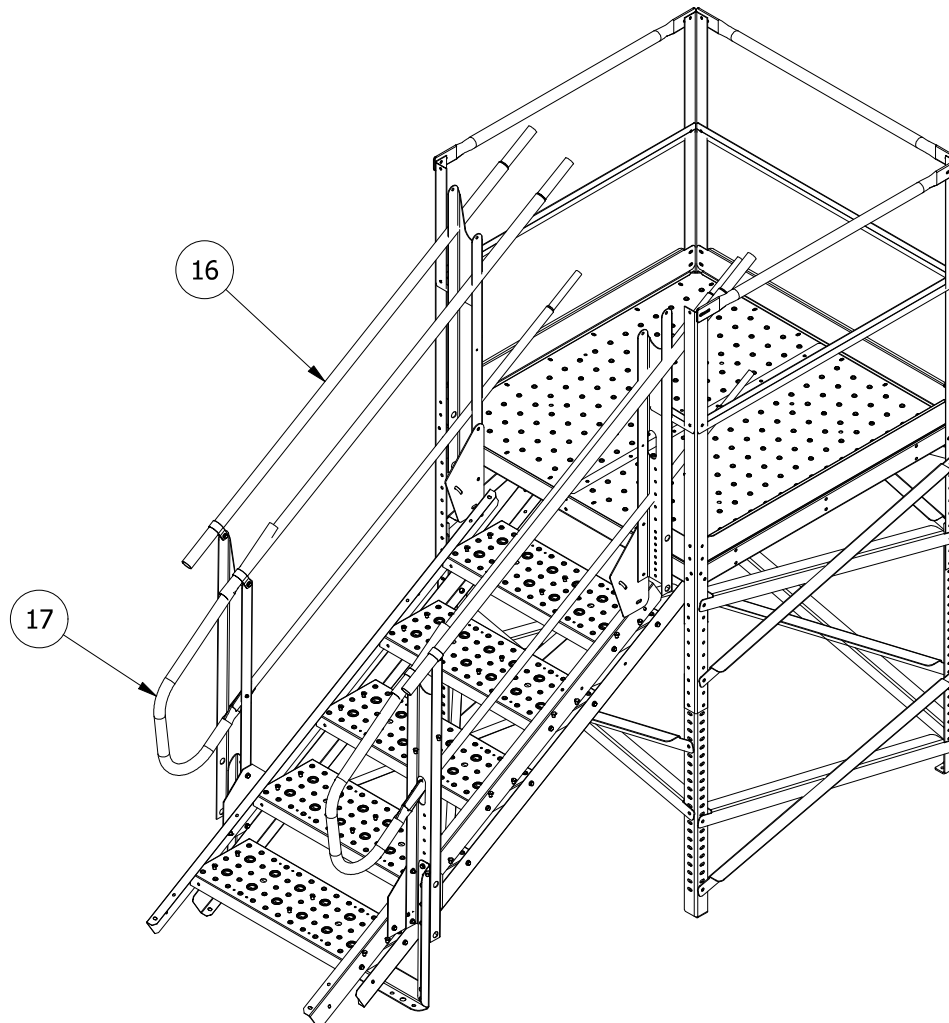


Front View

AVT44051

Parts List

PARTS LIST, AVT44051			
ITEM	QTY	PART NUMBER	DESCRIPTION
1	4	AVT-4003	Channel, Siderail, Platform
2	1	AVT-4004	Channel, Support Crossmember
3	3	AVT-4006	Channel, Kickboard
4	2	AVT-4012	Channel, Kickboard, Entry
5	2	AVT-5001	Bracket, Stair Mount Top
6	3	AVT-4014	Strap, Mid Rail, 4'
7	2	AVT-4013	Strap, Mid Rail, Entry
8	4	AVT-4002	Angle, Post, Top Long
9	14	AVT-4011	Angle, Brace
10	4	AVT-4010	Angle, Post, Extension 5
11	1	ART-1015	Right Stair Post, Guardrail
12	1	ART-1016	Left Stair Post, Guardrail
13	2	AVT-4005	Landing Tread Plate
14	2	KS-316	Skin Narrow Brace
15	3	TRS1504800	48 in 1.50 Tubing Smashed Both Ends
16	1	AVT1605	A-Series 5 Step Variable Stair Section
17	2	ART-2226	Bottom End Rail



AVT44051

Parts List

