

A-Series Landing with Variable Stairs

AVT44021

4'x4' Landing with 2-Step Straight Up Stair Section

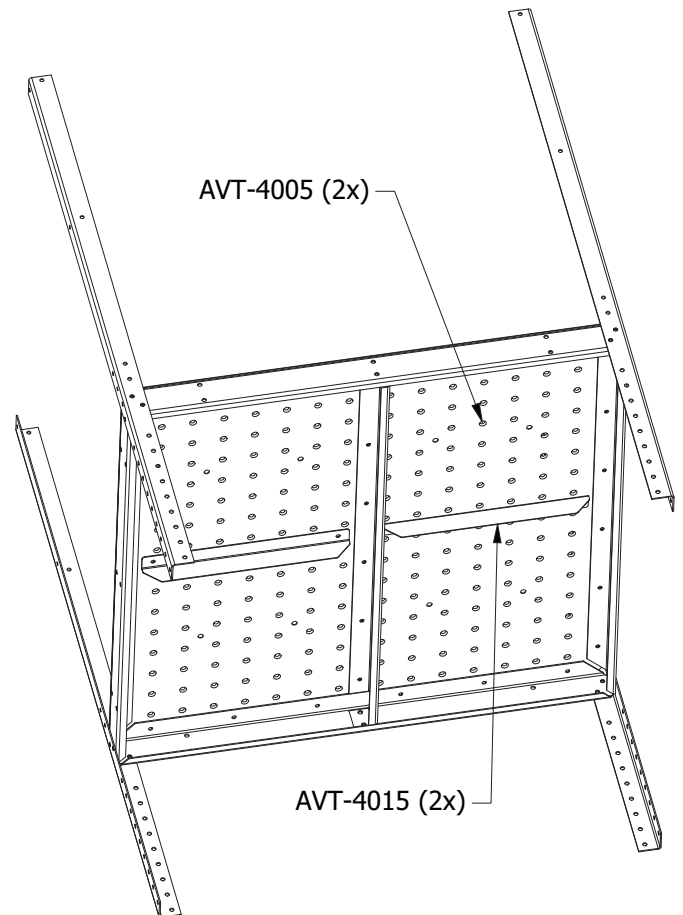
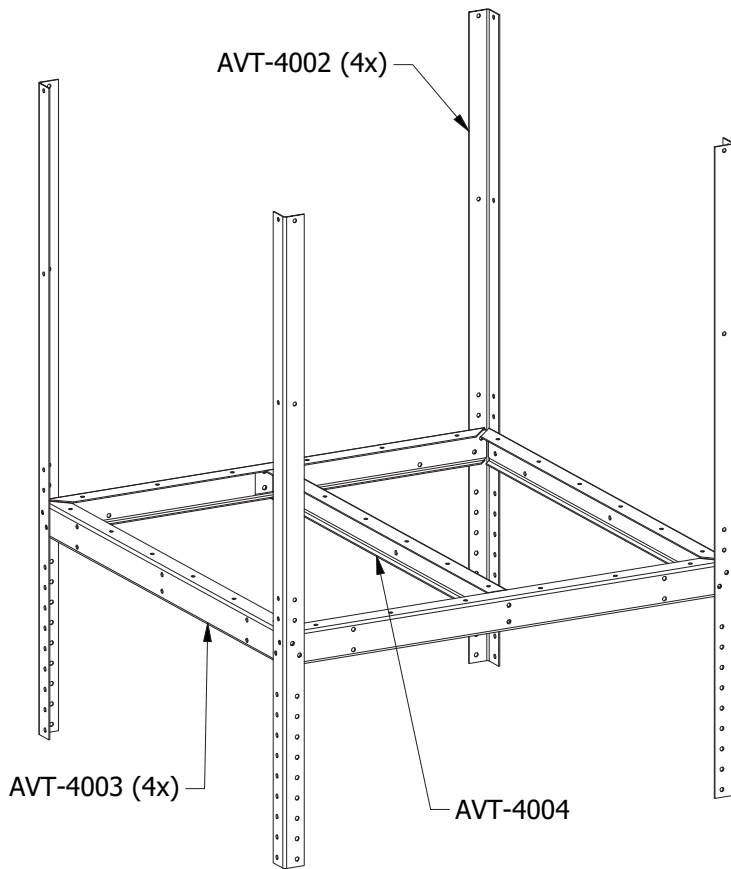
AVT44031

4'x4' Landing with 3-Step Straight Up Stair Section



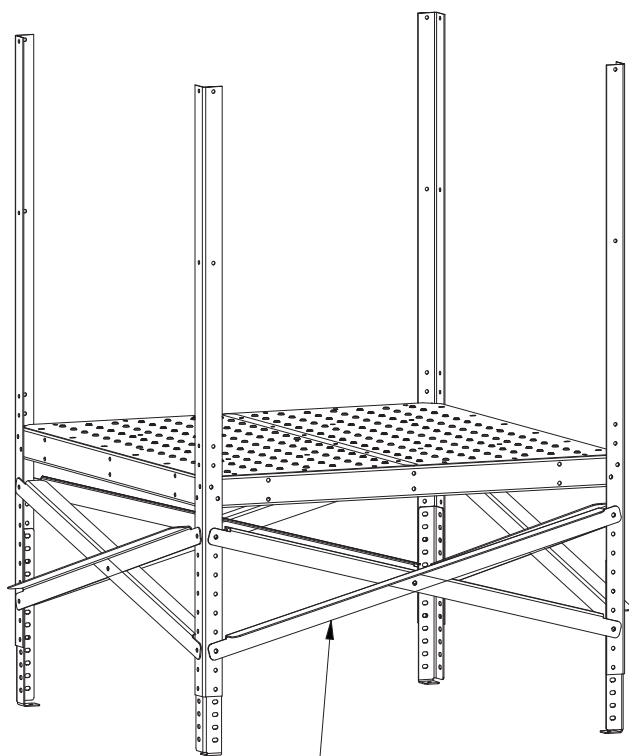
Frame Assembly

- Assemble the angle posts, siderails, and center crossmember, using 3/8" flange bolts and nuts.
- Attach the braces to the underside of the deck tread. Then attach the deck tread to the frame.

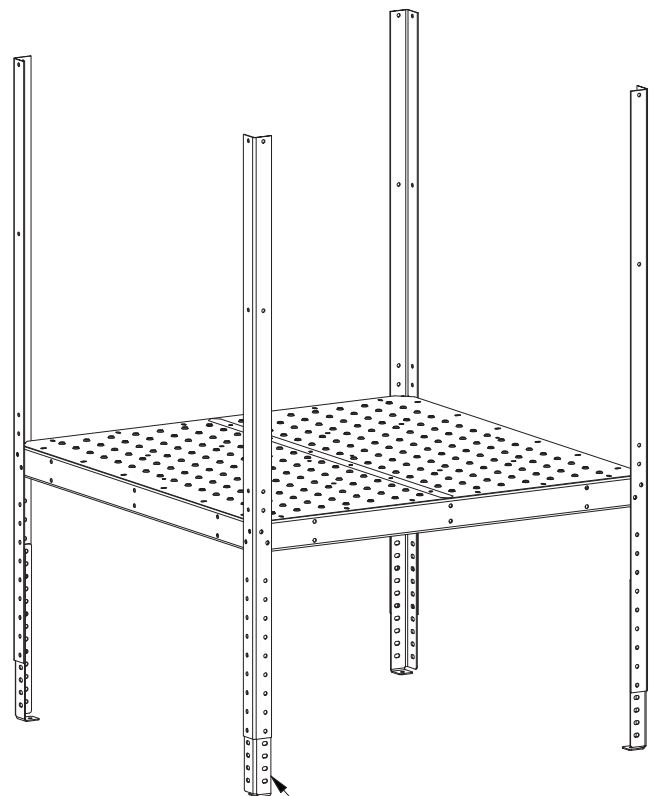


Extension Leg Assembly

- After determining the desired platform elevation, attach the extension legs to the insides of the angle posts.
- Attach the angle braces in a crossing pattern as shown, using 2 braces per side. The braces may have to be lowered on the entry side to clear the stair section.
- The braces are installed facing back to back, with the flanges facing away from each other.
- Use 3/8" flange bolts and nuts for the above steps.



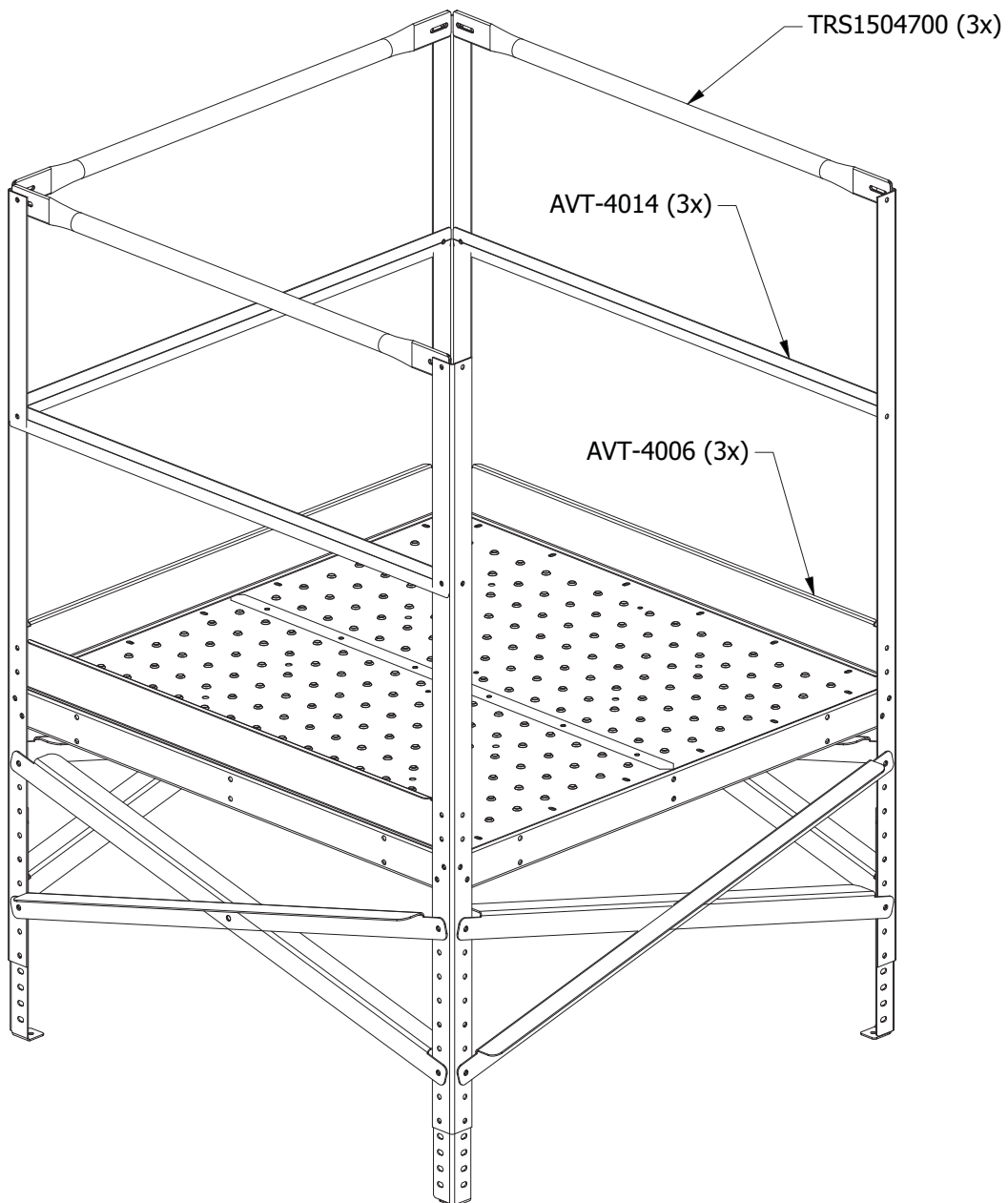
AVT-4011 (8x)



Extension Post (4x)
Size Varies

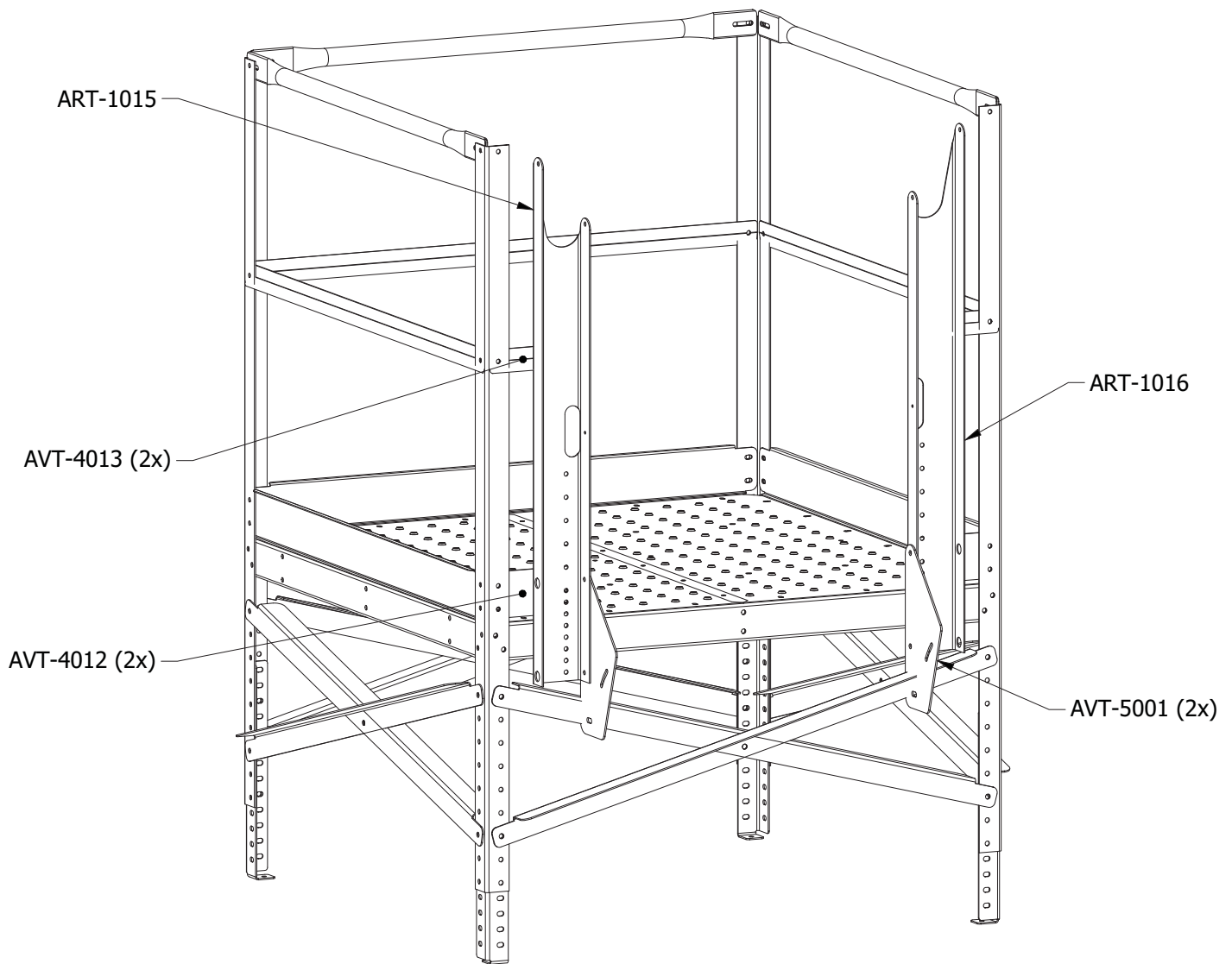
Railing and Kickboard Assembly

- Attach the handrails, intermediate rails, and kickboards on 3 sides.
- The handrails, intermediate rails, and kickboards should be installed from the inside of the platform.
- Use 5/16" flange bolts and nuts for the above steps.



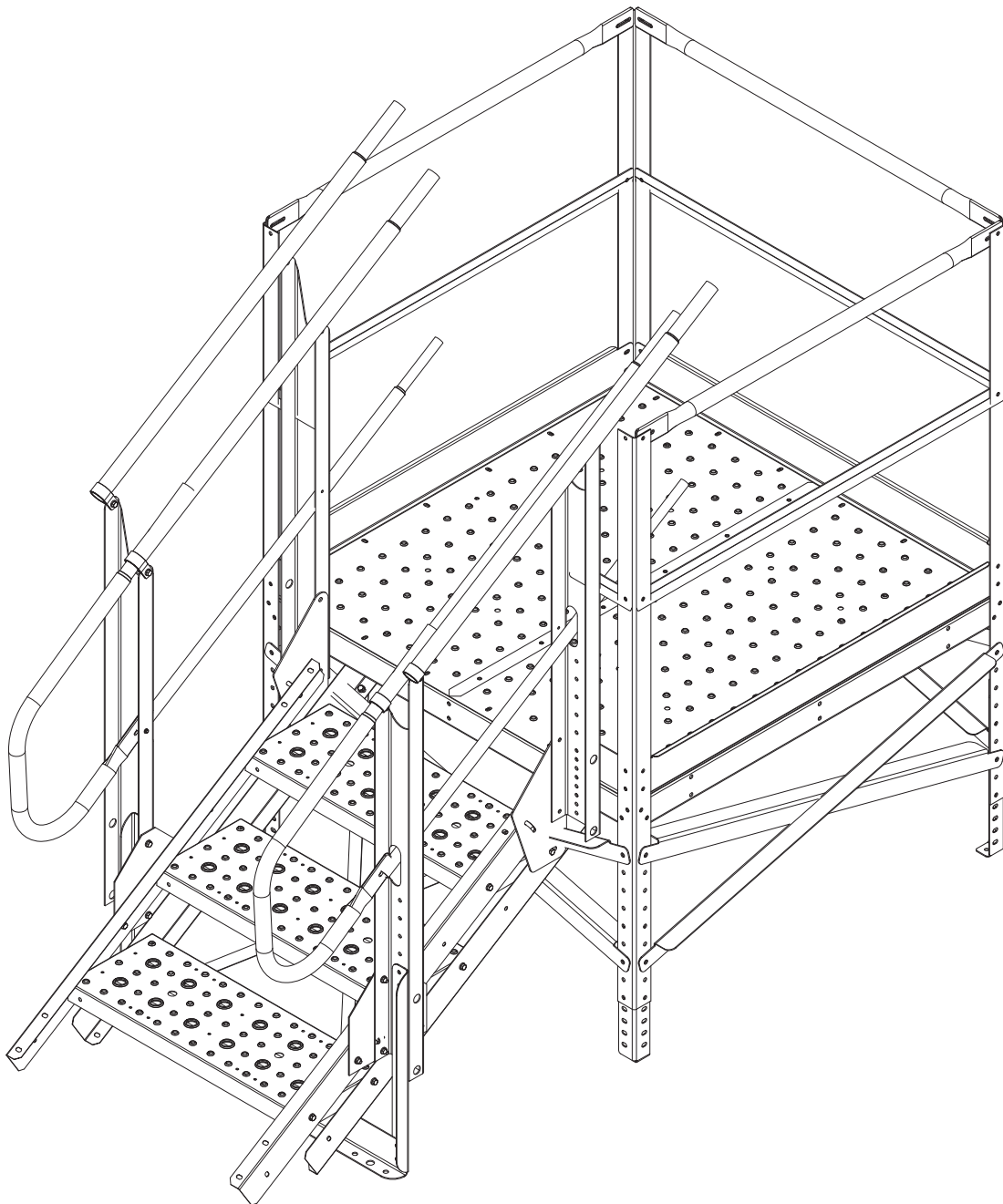
Entry Section

- Attach the right and left stair posts using the holes in the platform siderail, with 3/8" flange bolts and nuts.
- Attach the stair mount brackets to the right and left stair posts, using 3/8" flange bolts and nuts.
- Attach the entry int. rails and entry kickboards, using 5/16" flange bolts and nuts.



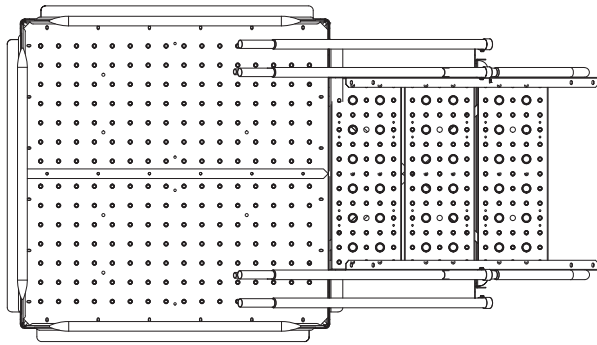
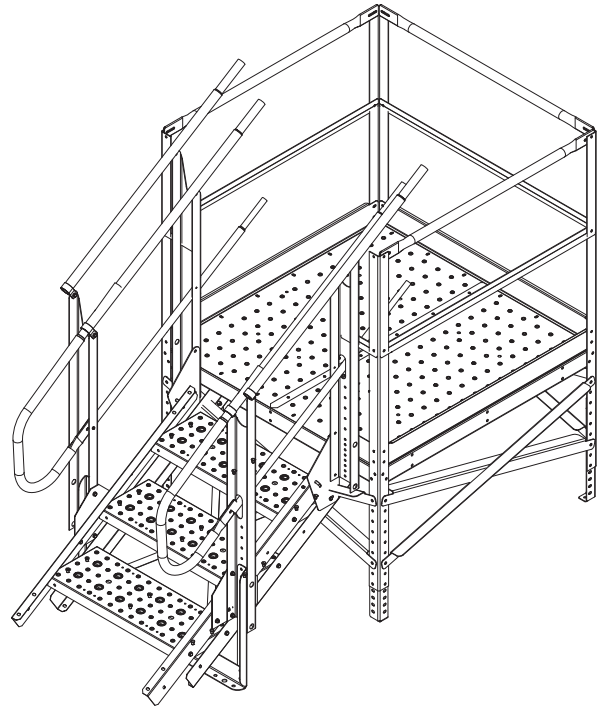
Stair Section

- Assemble the stair section according to the stair assembly instructions.
- Attach the stair section to the stair mount brackets.
- Adjust the stair pitch and level the steps before final tightening of the bolts.
- Install the bottom end rail loops.
- The handrails may be field cut to be flush to the top posts at the platform.

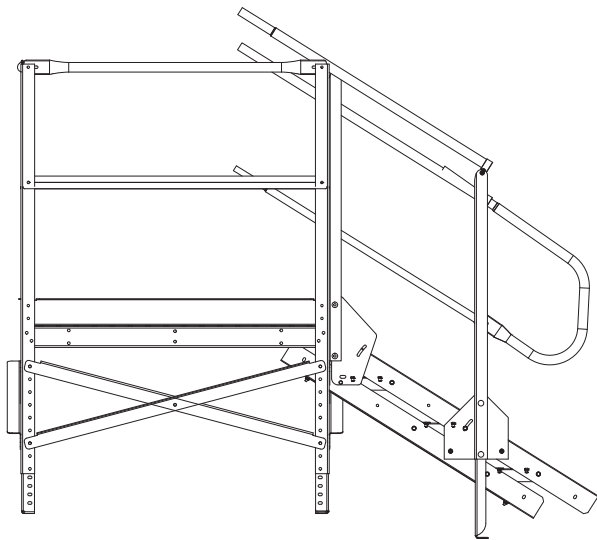


AVT44031

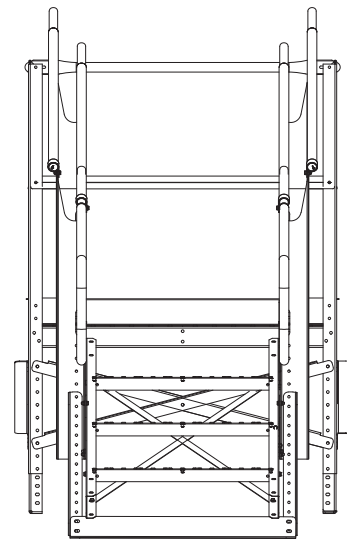
A-Series, 4'x4' Landing,
3 Step Straight Up Stair Section



Top View



Side View

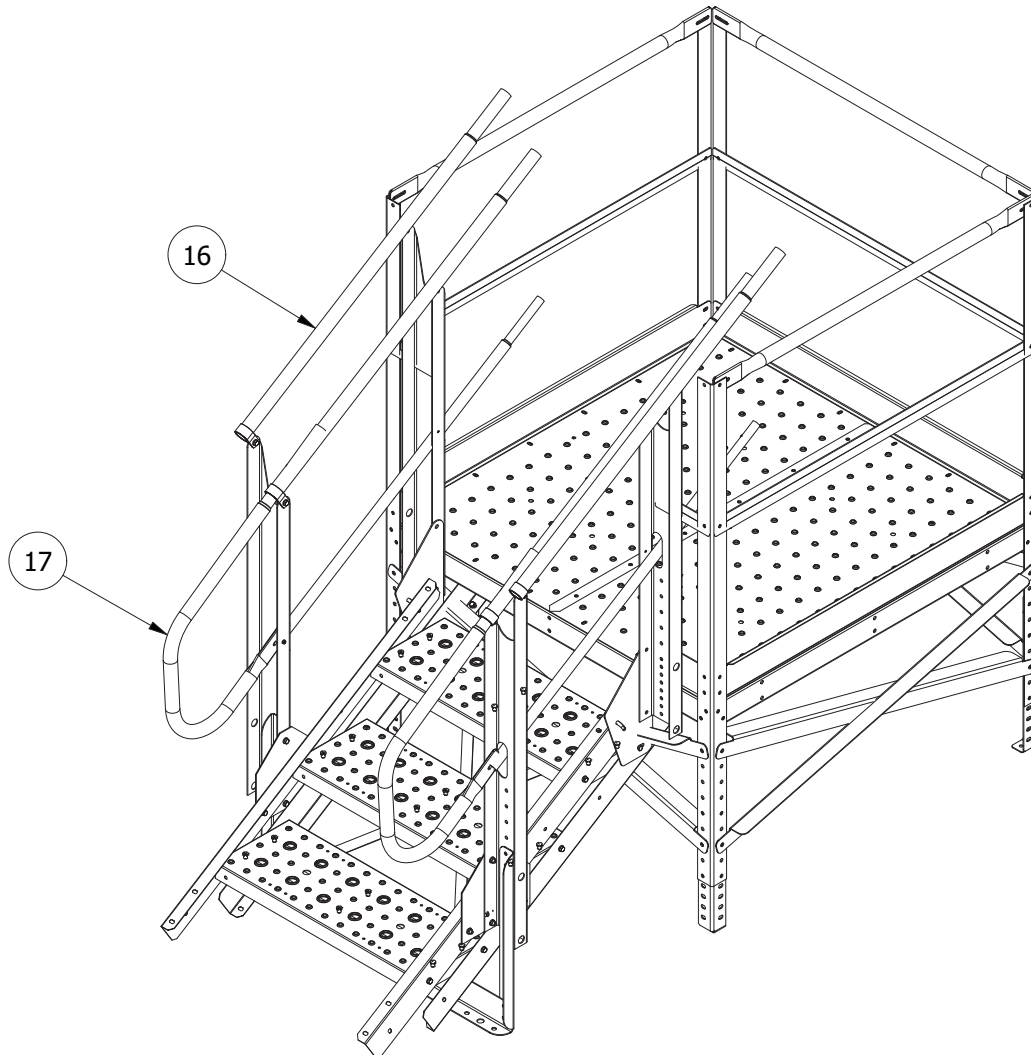


Front View

AVT44031

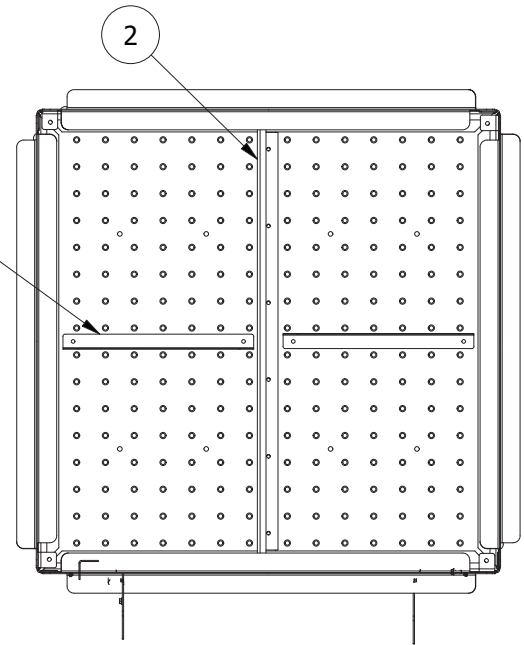
Parts List

PARTS LIST, AVT44031			
ITEM	QTY	PART NUMBER	DESCRIPTION
1	4	AVT-4003	Channel, Siderail, Platform
2	1	AVT-4004	Channel, Support Crossmember
3	3	AVT-4006	Channel, Kickboard
4	2	AVT-4012	Channel, Kickboard, Entry
5	2	AVT-5001	Bracket, Stair Mount Top
6	3	AVT-4014	Strap, Mid Rail, 4'
7	2	AVT-4013	Strap, Mid Rail, Entry
8	4	AVT-4002	Angle, Post, Top Long
9	8	AVT-4011	Angle, Brace
10	4	AVT-4008	Angle, Post, Extension 2
11	1	ART-1015	Right Stair Post, Guardrail
12	1	ART-1016	Left Stair Post, Guardrail
13	2	AVT-4005	Landing Tread Plate
14	2	AVT-4015	Landing Platform Brace
15	3	TRS1504700	47 in 1.50 Tubing Smashed Both Ends
16	1	AVT1603	A-Series 3 Step Variable Stair Section
17	2	ART-2226	Bottom End Rail

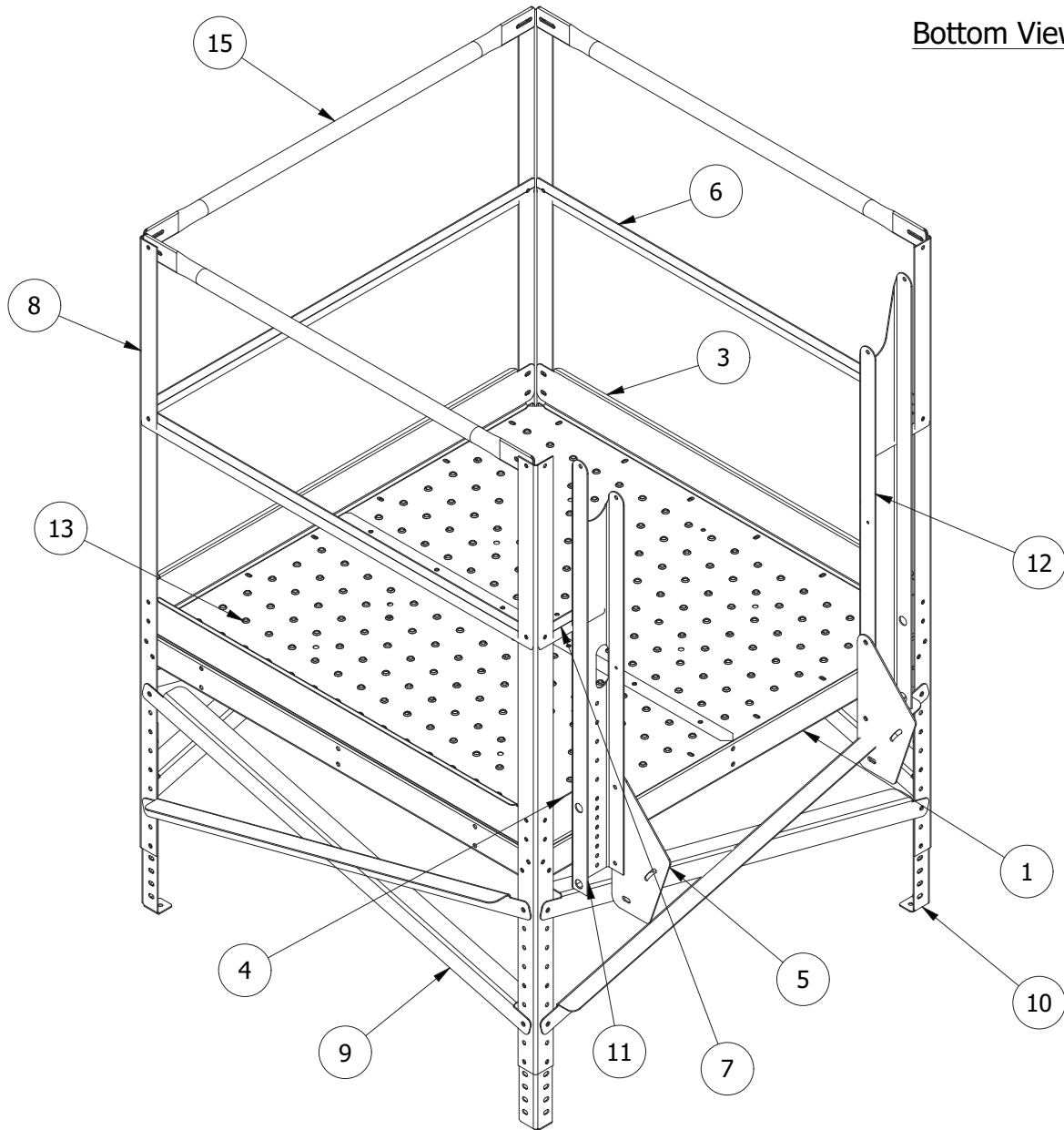


AVT44031

Parts List

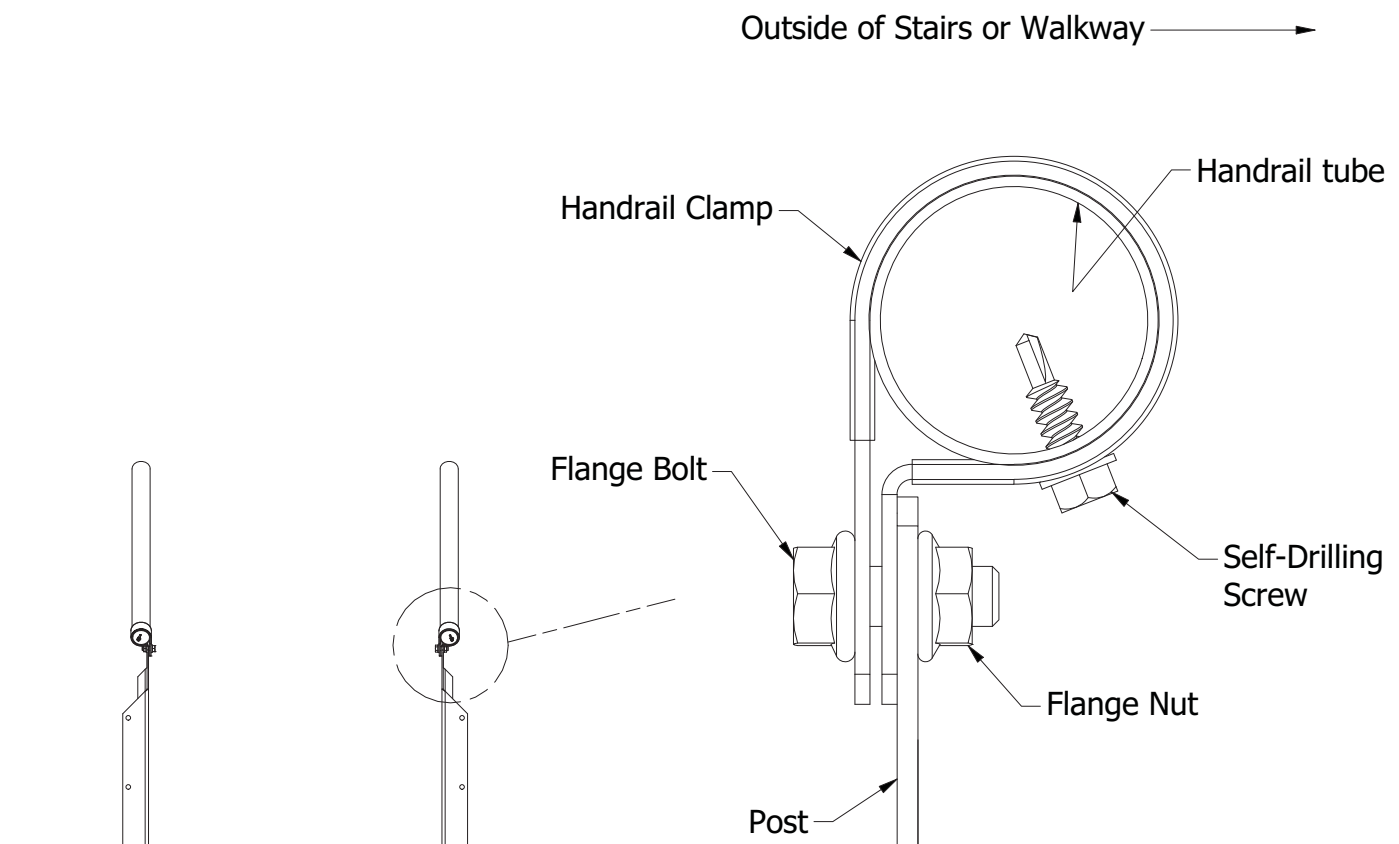


Bottom View

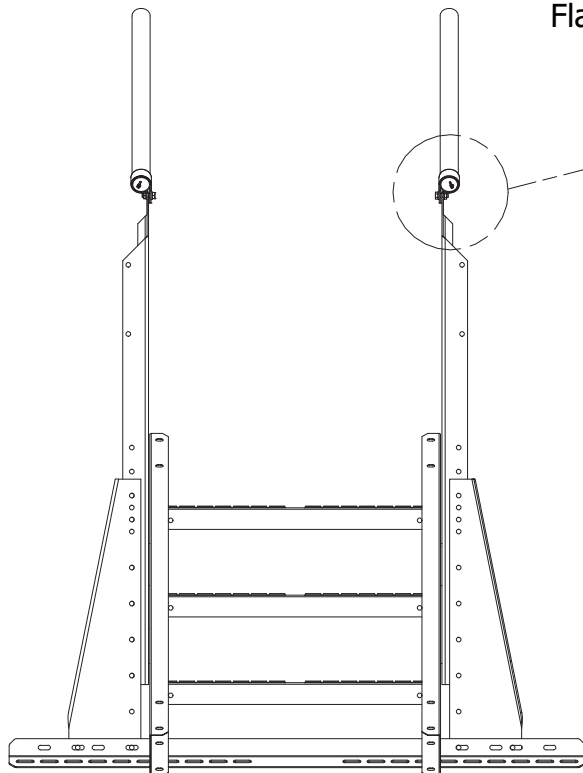


Handrail Clamp Installation Instructions

- Position the handrail clamp so it is oriented facing outward, and so it does not interfere into the width of the stairs or walkway.
- Insert the bolt through both holes on the handrail clamp first, then push the bolt through the hole in the stair post from the inside. Install the nut on the outside so that the bolt head is on the inside of the stairs.
- Fasten the clamp tightly together so it is closed around the handrail, making sure the post is not between the two tabs.
- Install a self-drilling screw into the handrail clamp and through the handrail. It should be positioned on the outside near the bottom, approximately as shown, to minimize contact with the hands.



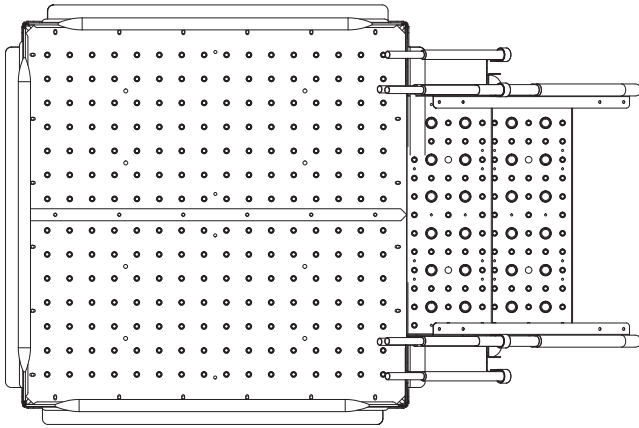
Detail of Handrail Clamp Assembly



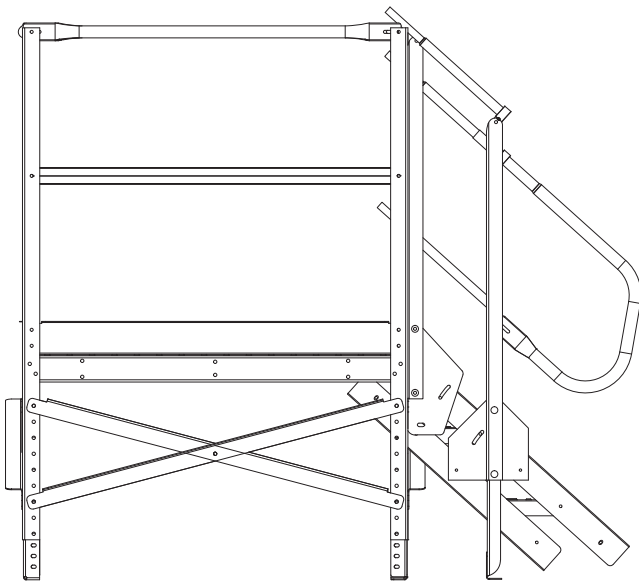
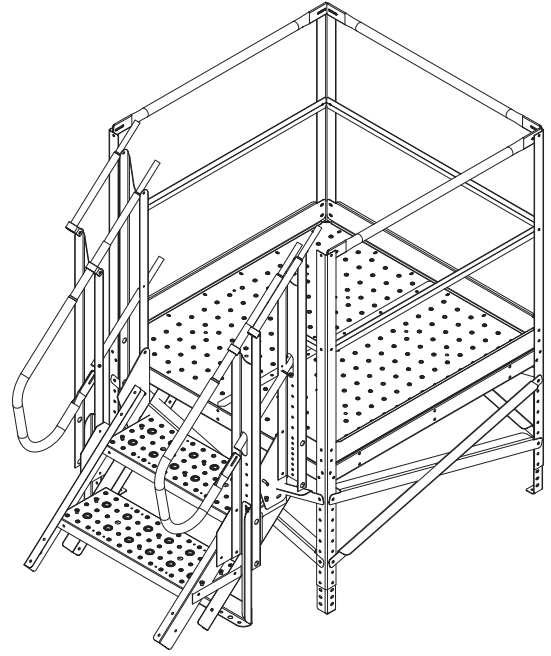
Roof Stair Example Shown

AVT44021

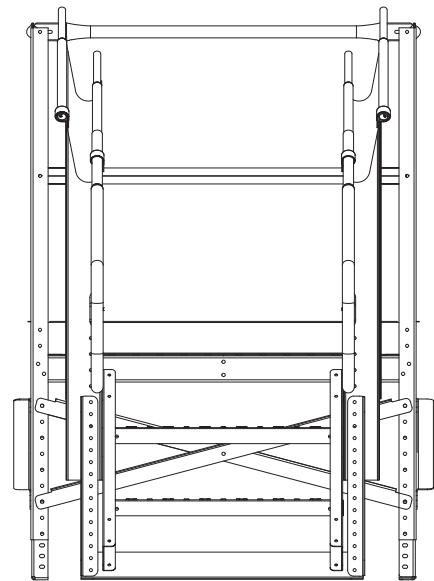
A-Series, 4'x4' Landing,
2 Step Straight Up Stair Section



Top View



Side View

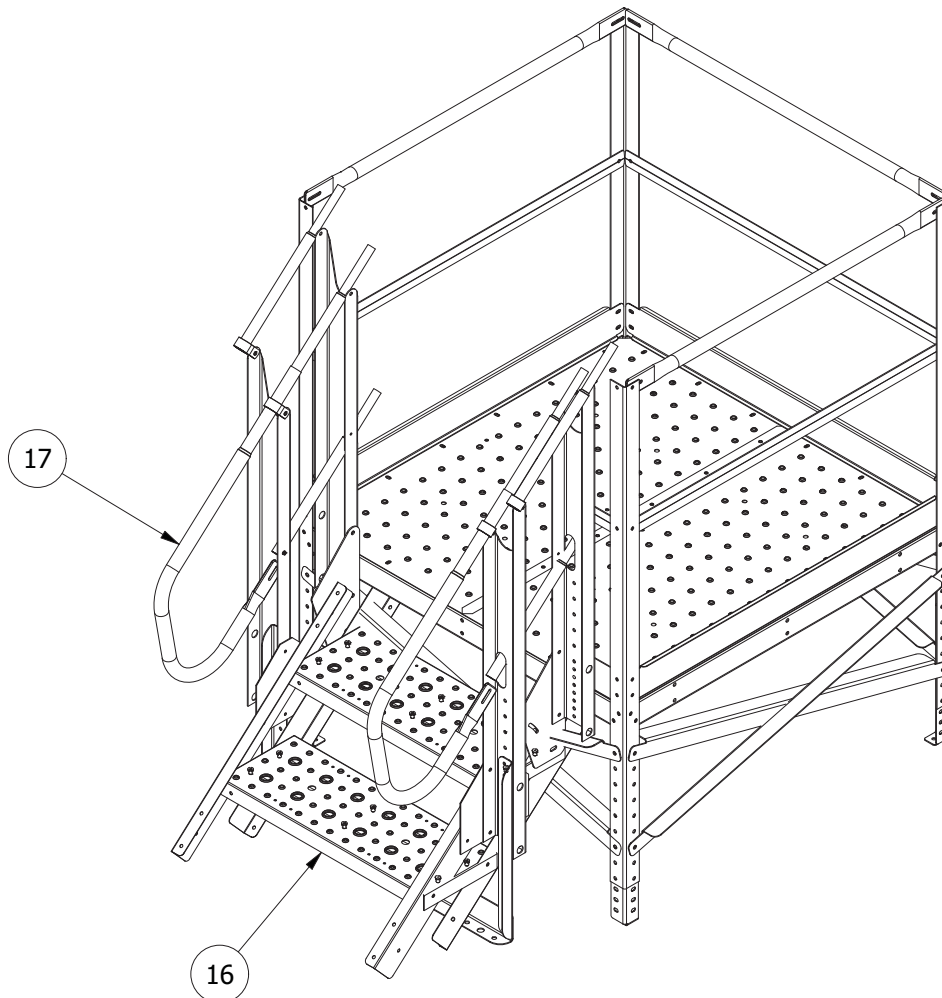


Front View

AVT44021

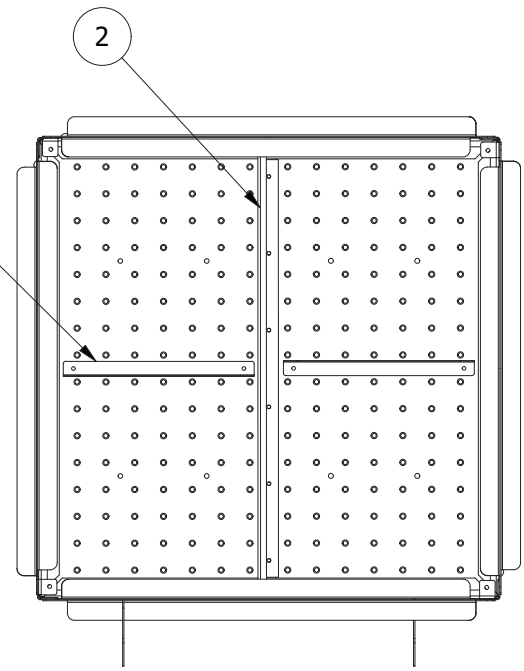
Parts List

PARTS LIST, AVT44021			
ITEM	QTY	PART NUMBER	DESCRIPTION
1	4	AVT-4003	Channel, Siderail, Platform
2	1	AVT-4004	Channel, Support Crossmember
3	3	AVT-4006	Channel, Kickboard
4	2	AVT-4012	Channel, Kickboard, Entry
5	2	AVT-5001	Bracket, Stair Mount Top
6	3	AVT-4014	Strap, Mid Rail, 4'
7	2	AVT-4013	Strap, Mid Rail, Entry
8	4	AVT-4002	Angle, Post, Top Long
9	8	AVT-4011	Angle, Brace
10	4	AVT-4008	Angle, Post, Extension 2
11	1	ART-1015	Right Stair Post, Guardrail
12	1	ART-1016	Left Stair Post, Guardrail
13	2	AVT-4005	Landing Tread Plate
14	2	AVT-4015	Landing Platform Brace
15	3	TRS1504700	47 in 1.50 Tubing Smashed Both Ends
16	1	AVT1602	A-Series 2 Step Variable Stair Section
17	2	ART-2226	Bottom End Rail



AVT44021

Parts List



Bottom View

