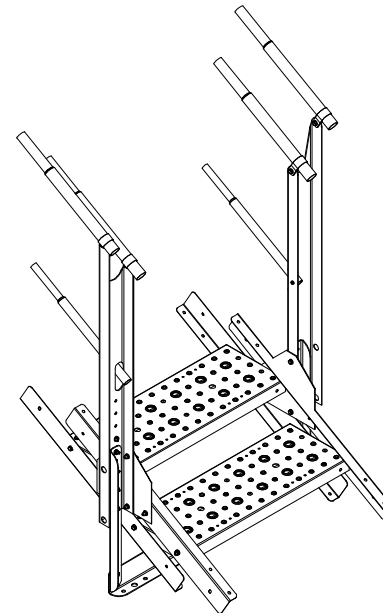
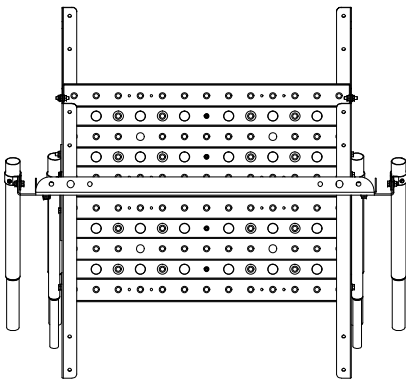
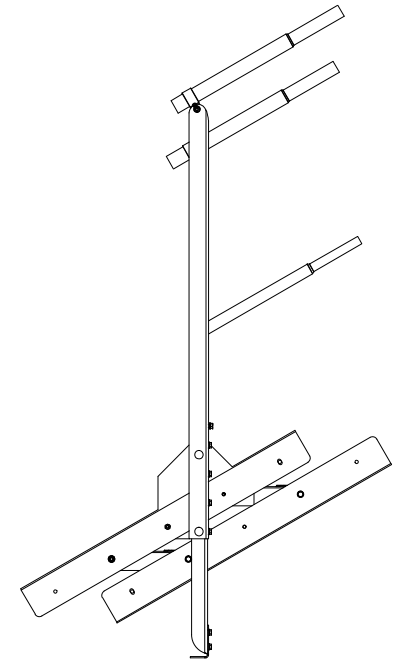
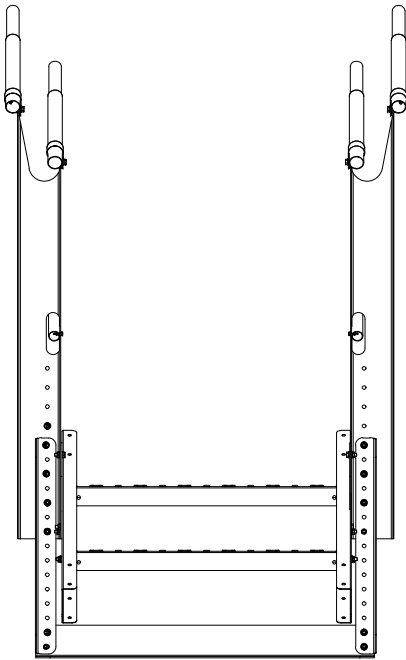


AVT1602

A-Series 2 Step Variable Stair Section

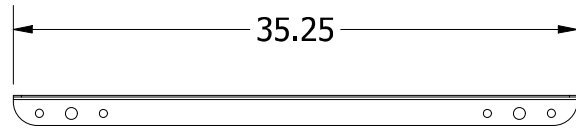


GREENE
GALVANIZED STAIRS

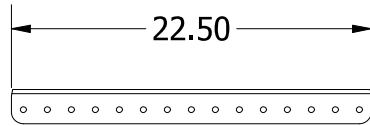
Parts List

AVT1602, A-Series 2 Step Variable Stair Section		
PART NUMBER	DESCRIPTION	QTY
ART-1011	Roof Stair Leveling Plate	2
ART-1015	Right Stair Post, Guardrail	1
ART-1016	Left Stair Post, Guardrail	1
ART-1105	Post Extension	2
ART-1106	Cross Mount Foot	1
ART-5002	A-Series 2 Step Siderail	4
AS00030	Tread 30 x 11 Step Assembly	2
TR1002006	20 in 1.00 Swaged Tubing 6" swage	2
TR1502006	20 in 1.5 Swaged Tubing 6" swage	4
HRC1500	Handrail Clamp for 1.5 in	4
5/16-18x3/4FB	5/16"-18 x 3/4" Flange Bolt	34
5/16-18SFN	5/16"-18 Flange Nut	34
Floor screw	#12-14 x 3/4" Screw	2

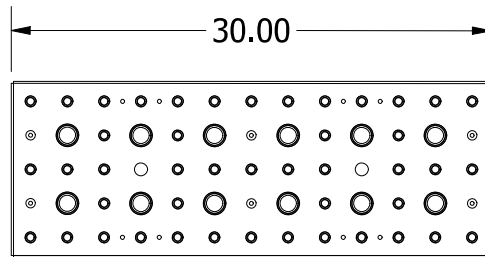
Parts List



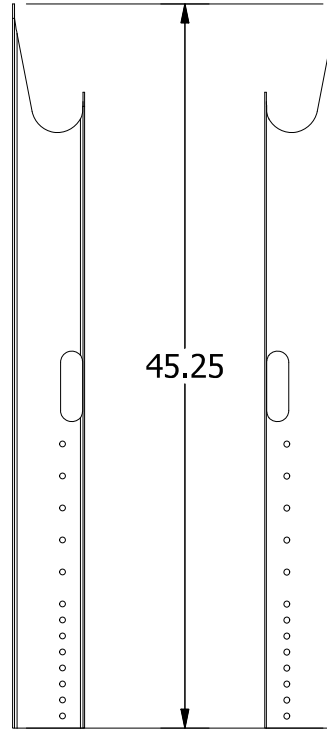
ART-1106



ART-1105

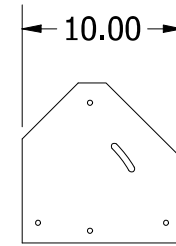


AS00030

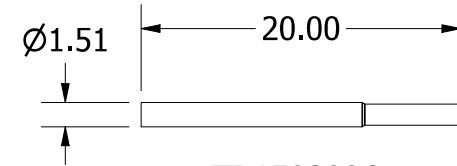


ART-1015

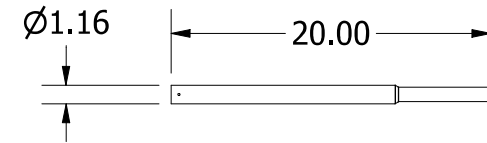
ART-1016



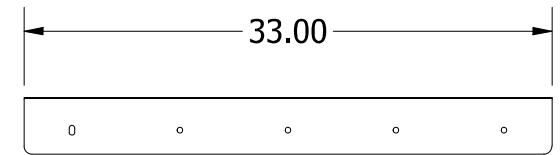
ART-1011



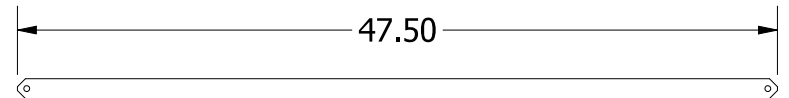
TR1502006



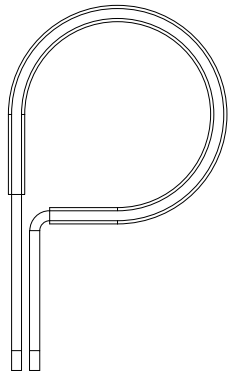
TR1502006



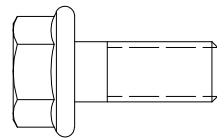
ART-5002



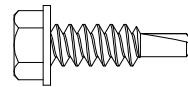
ART-1001



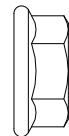
Handrail Clamp for 1.5 in



5/16"-18 x 3/4" Flange Bolt



#12-14 x 3/4" Screw



5/16"-18 Flange Nut

All units in inches

Step 1: Adding the Posts and Mount

- A. Place the ART-1105 braces against the ART-1106 mount as shown in Figure 1. The braces' flanges will face up the stair run when installed.
- B. Secure the braces to the cross mount using (4) 5/16" flange bolts and nuts.
- C. Place the ART-1015 and ART-1016 posts against the ART-1105 braces. The bolt spacing shown in Figure 2 are in the lowest position; adjust the height to fit.
- D. Secure each in place with (3) 5/16" flange bolts and nuts.

Figure 1

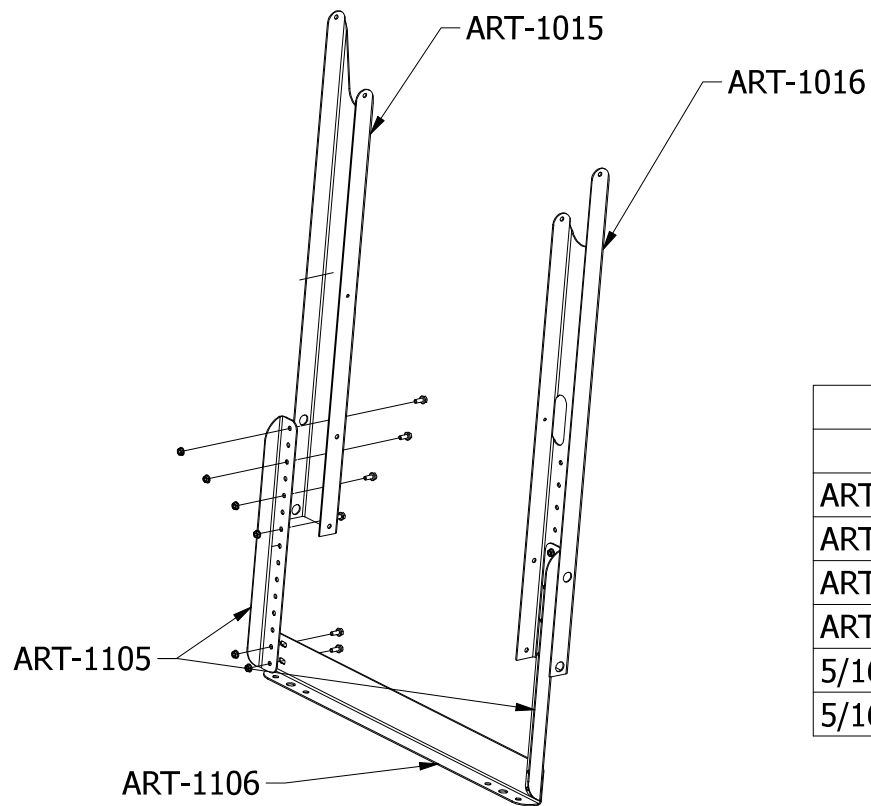
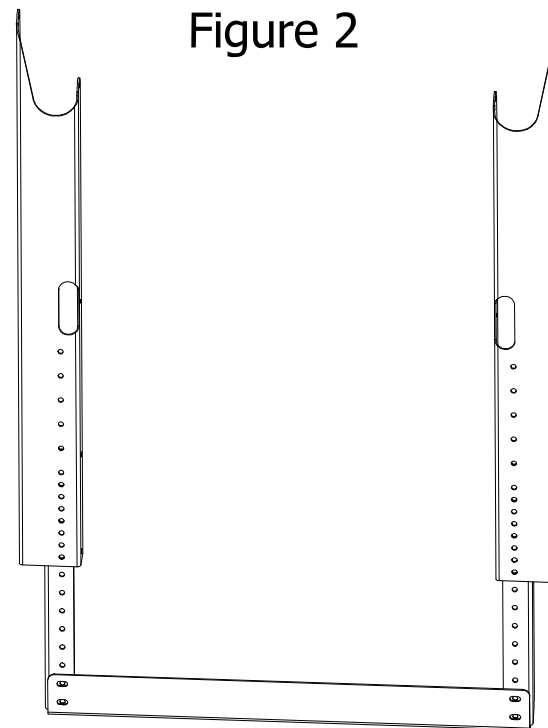


Figure 2



PARTS USED IN STEP 1		
PART NUMBER	DESCRIPTION	QTY
ART-1106	Cross Mount Foot	1
ART-1105	Post Extension	2
ART-1015	Right Stair Post, Guardrail	1
ART-1016	Left Stair Post, Guardrail	1
5/16-18x3/4FB	5/16"-18 x 3/4" Flange Bolt	10
5/16-18SFN	5/16"-18 Flange Nut	10

Step 2: Adding the Leveling Brackets

- A. Take (2) ART-1011 leveling brackets and attach to the ART-1015 and ART-1016 posts as shown in Figure 3 and Figure 4.
- B. Secure the brackets in place using (4) 5/16" flange bolts and nuts.

PARTS USED IN STEP 2		
PART NUMBER	DESCRIPTION	QTY
5/16-18x3/4FB	5/16"-18 x 3/4" Flange Bolt	4
5/16-18SFN	5/16"-18 Flange Nut	4
ART-1011	Roof Stair Leveling Plate	2

Figure 3

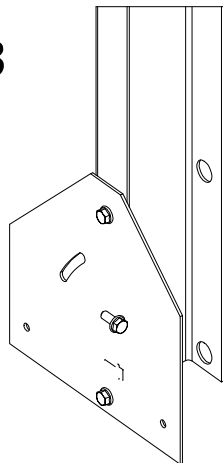
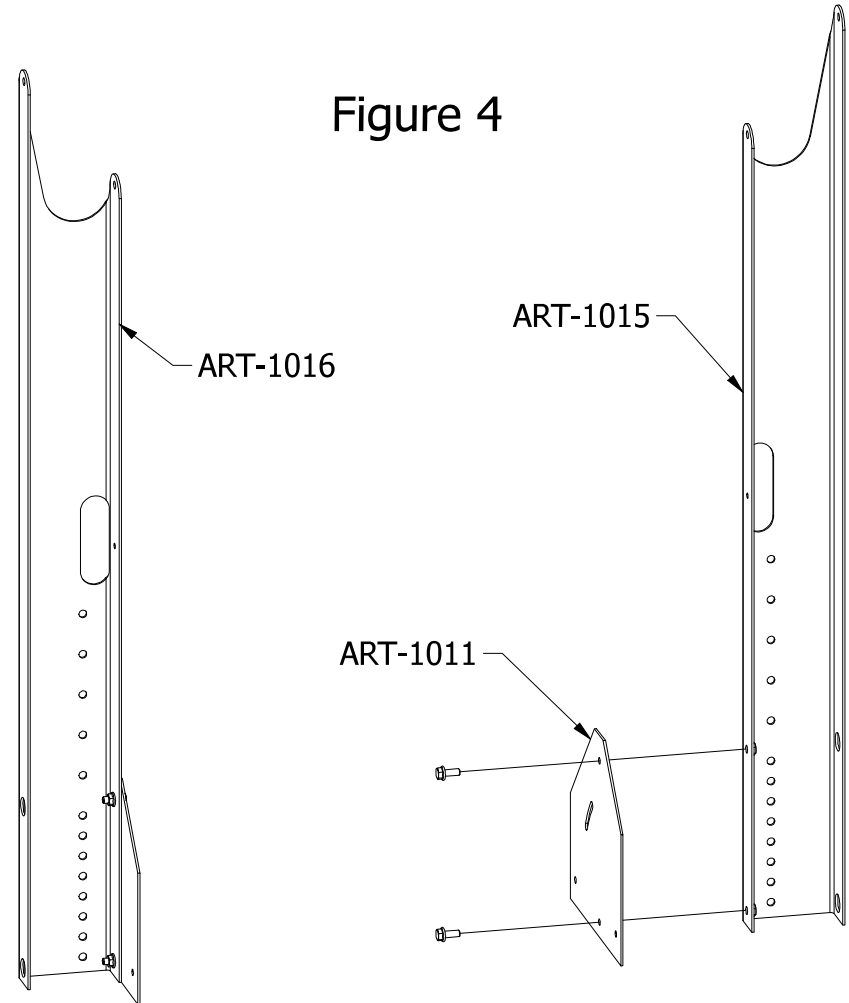


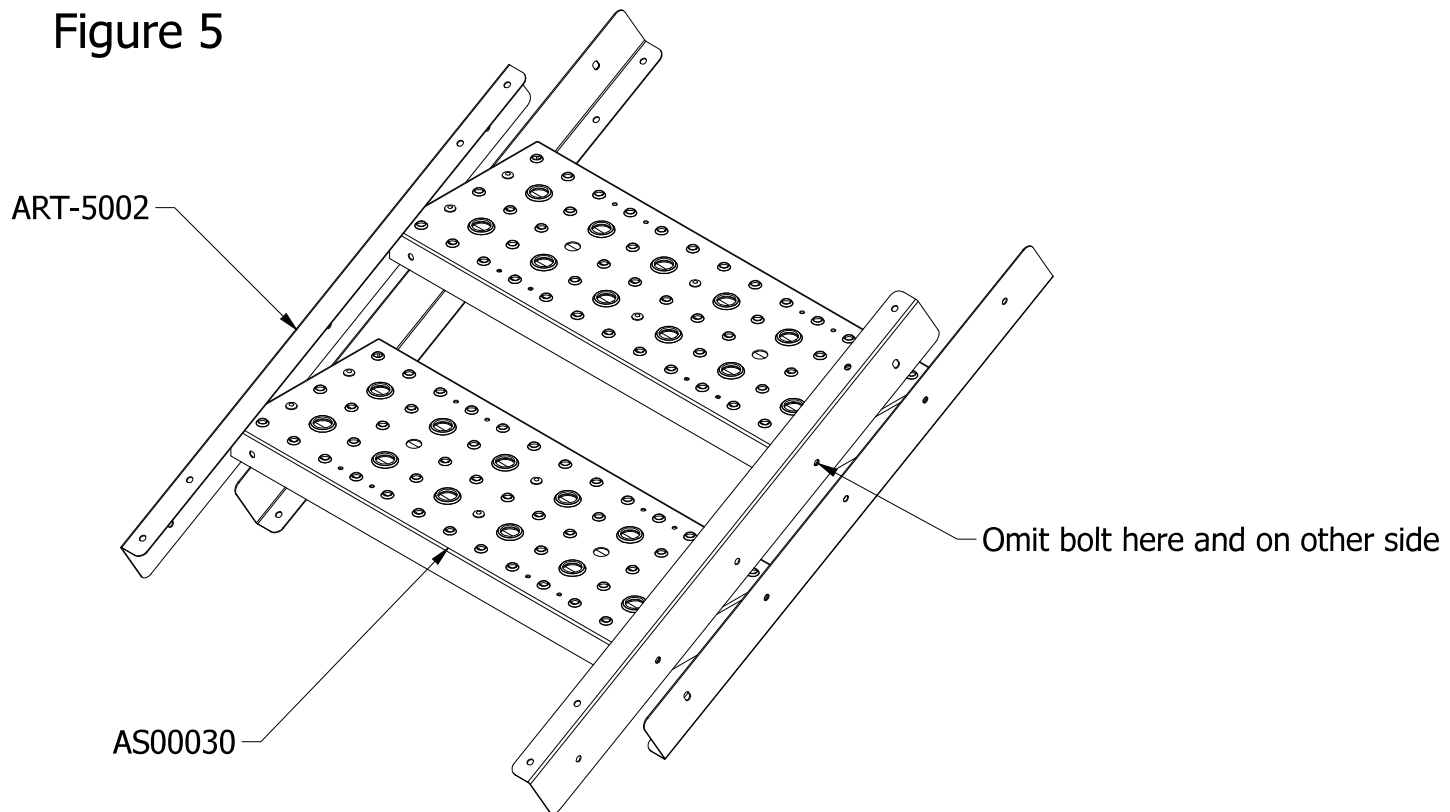
Figure 4



Step 3: Adding the Step Tread and Siderail

- A. Place (2) AS00030 step treads in line with (4) ART-5002 siderails as shown.
- B. Using (8) 5/16" Flange Bolts and (8) 5/16" Lock Nuts, secure the step treads to the siderails. On the top stair, omit two of the bolts and nuts; they will be added on a later step.

PARTS USED IN STEP 3		
PART NUMBER	DESCRIPTION	QTY
ART-5002	A-Series 2 Step Siderail	4
AS00030	Tread 30 x 11 Step Assembly	2
5/16-18x3/4FB	5/16"-18 x 3/4" Flange Bolt	8
5/16-18SFN	5/16"-18 Flange Nut	8



Step 4: Attaching Leveling Plates to the Siderail

- A. Using (6) 5/16" flange bolts and nuts, bolt the siderails to the leveling bracket. Review Figure 6 and Figure 7 bolt layout.
- B. Tighten the bolts on the leveling plates after the final placement.

PARTS USED IN STEP 4		
PART NUMBER	DESCRIPTION	QTY
5/16-18x3/4FB	5/16"-18 x 3/4" Flange Bolt	6
5/16-18SFN	5/16"-18 Flange Nut	6

Figure 6

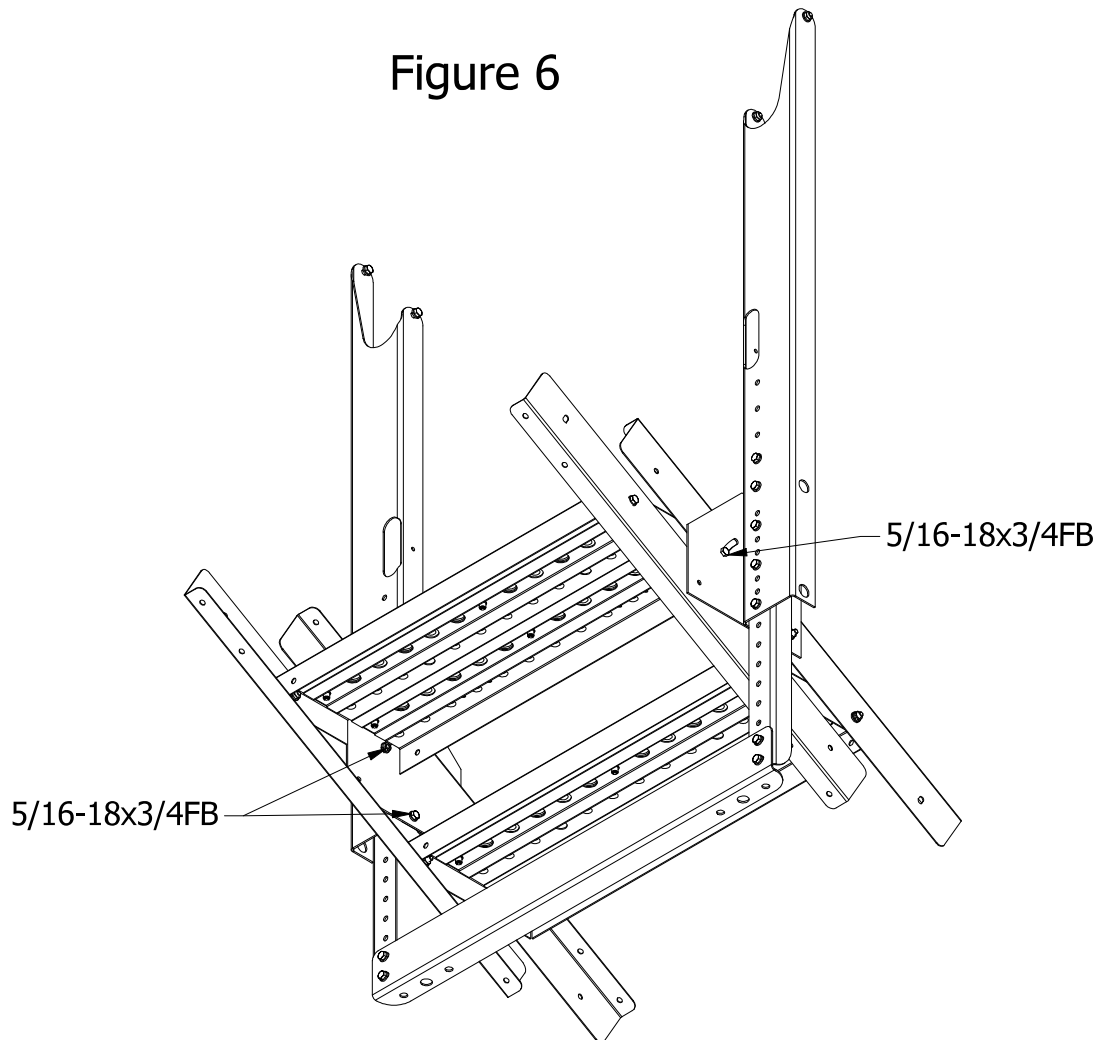
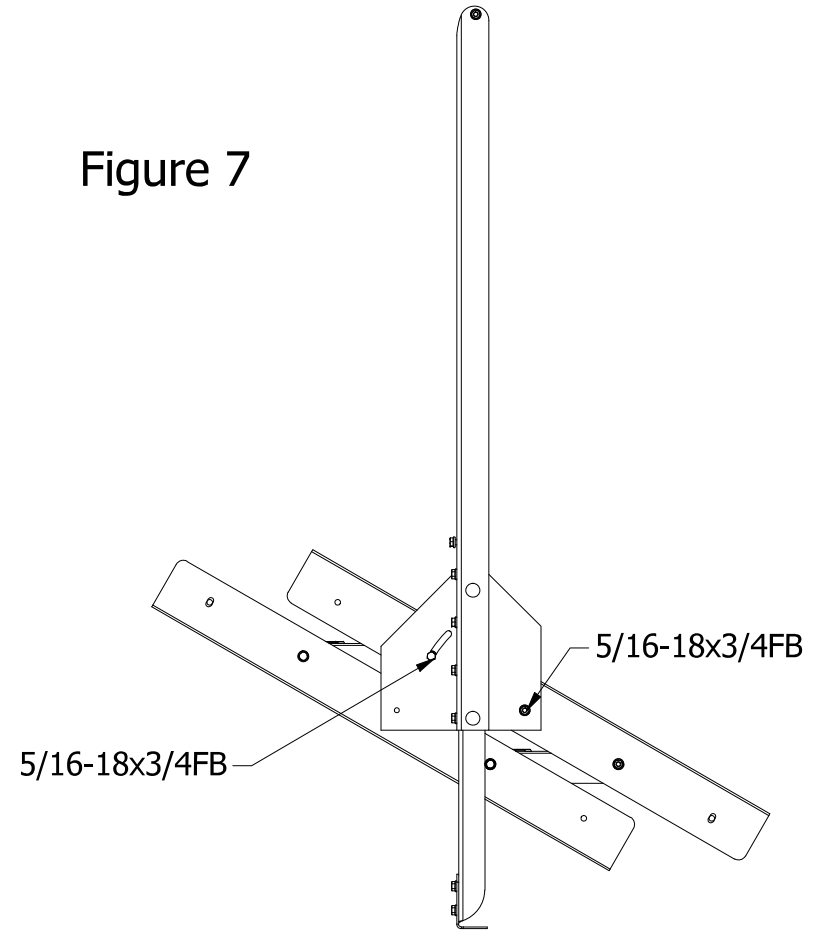
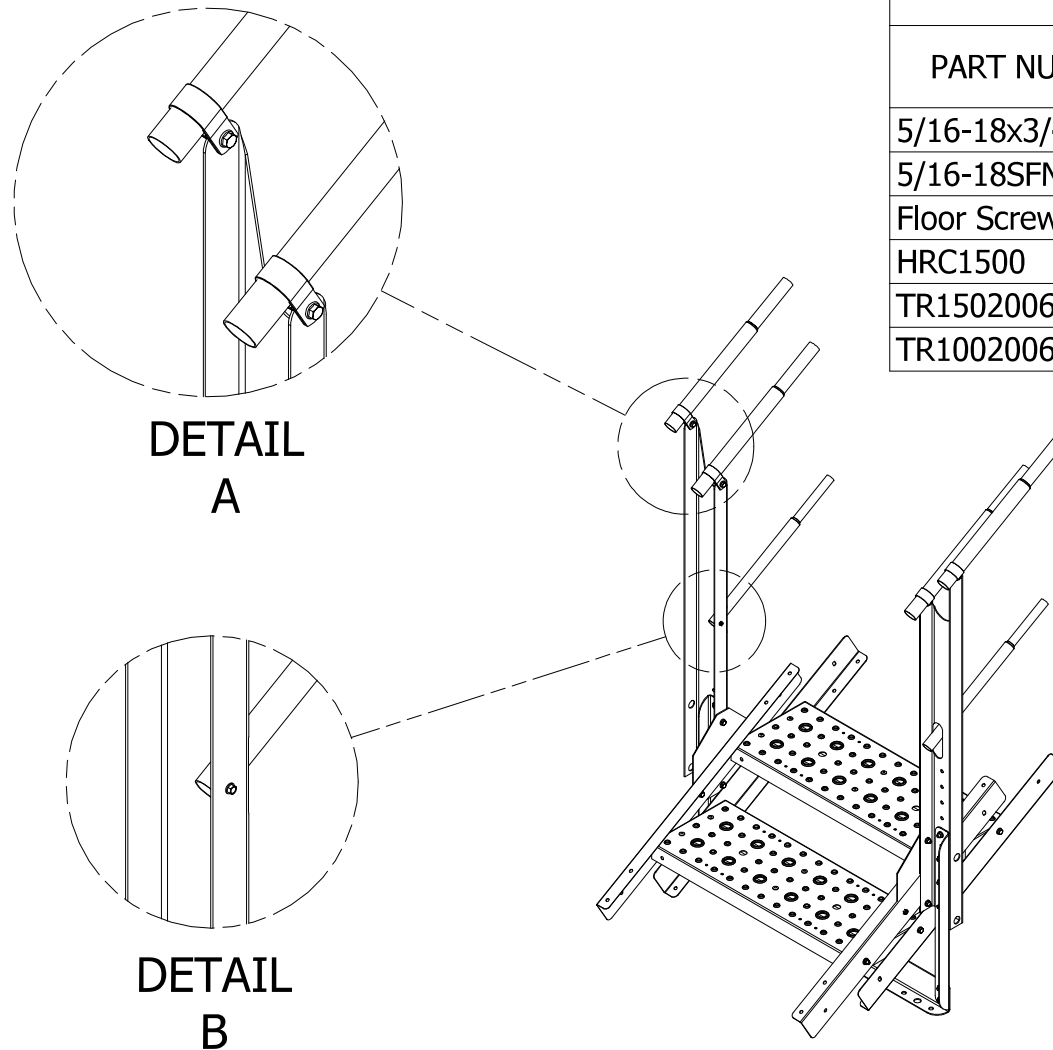


Figure 7



Step 5: Attaching the Handrails

- A. Taking the (4) TR1502006 swaged pipes, position the pipes as shown in Figure 8, Detail A. Secure the pipes to the posts using (4) HRC1500 handrail clamps, and (4) 5/16" flange bolts and nuts.
- B. After the (4) TR1502006 have been positioned to the desired location, use (4) self-tapping screws and secure the 1.5" pipe to the clamps. The screws should be drilled through the bottom of the clamps, to minimize interference with hands.
- C. Take the (2) TR1002006 swaged pipes, and position them as shown in Figure 8, Detail B. Secure them to the posts by using (2) self-tapping screws. There is a hole on the post to aid in starting the self-tapping screw.



PARTS USED IN STEP 6

PART NUMBER	DESCRIPTION	QTY
5/16-18x3/4FB	5/16"-18 x 3/4" Flange Bolt	4
5/16-18SFN	5/16"-18 Flange Nut	4
Floor Screws	#12-14 x 3/4" Screw	6
HRC1500	Handrail Clamp for 1.5 in	4
TR1502006	20 in 1.5 Swaged Tubing 6" swage	4
TR1002006	20 in 1.00 Swaged Tubing 6" swage	2

Figure 8

Sample 22 Step Assembly - (applies to multiple step package assemblies including 17,20,21 step assemblies)

