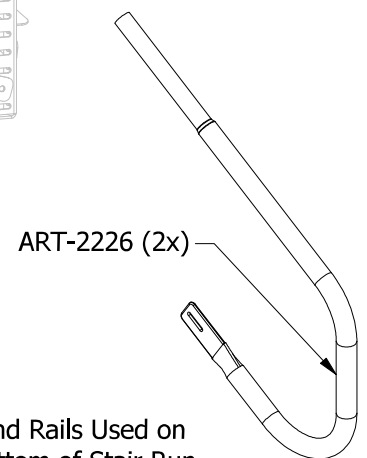
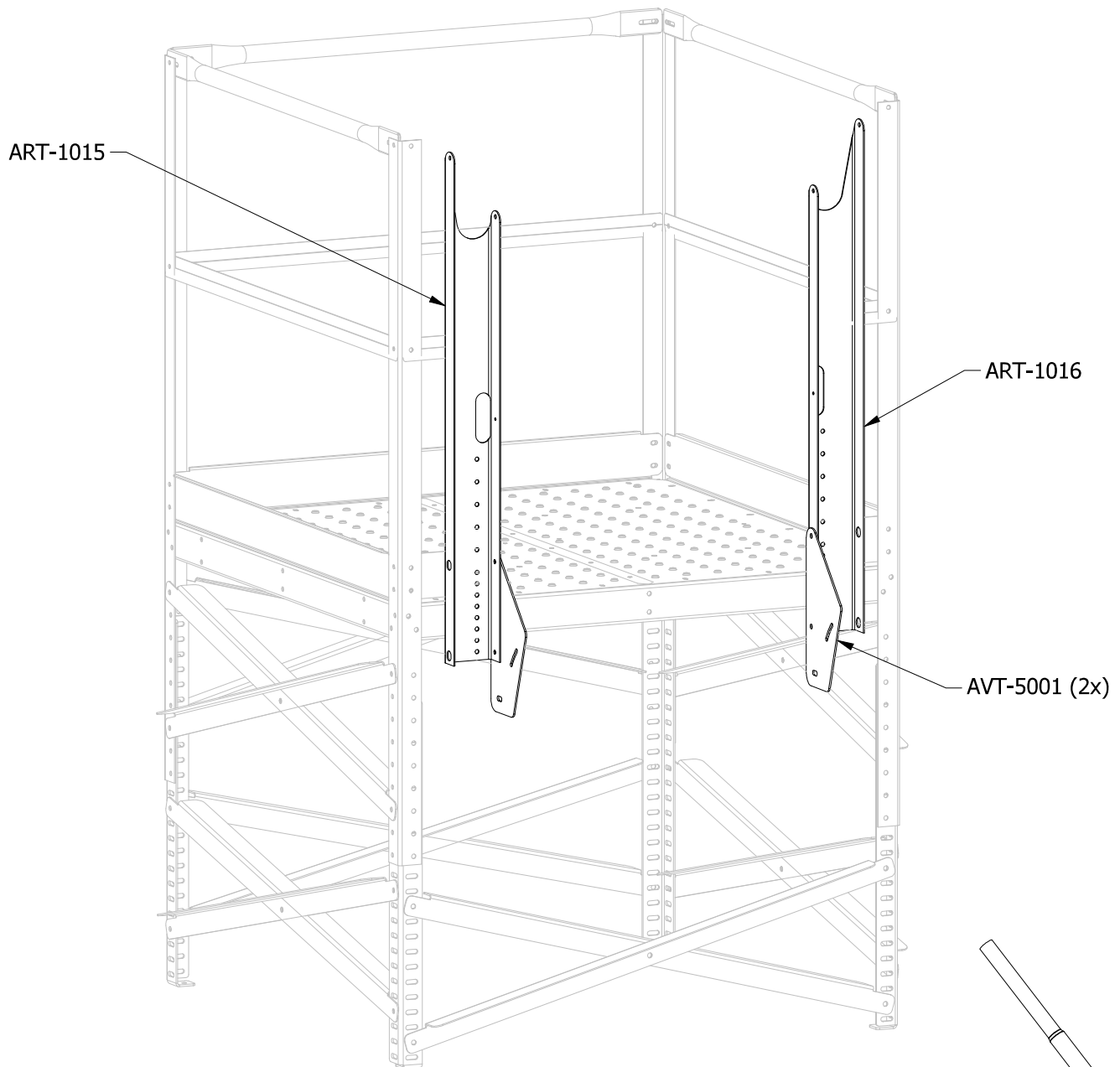


AVT0002, Landing Entry Kit

- Attach the right and left stair posts using the holes in the platform siderail, with 3/8" flange bolts and nuts.
- Attach the stair mount brackets to the right and left stair posts, using 3/8" flange bolts and nuts.
- Attach the entry int. rails and entry kickboards, using 5/16" flange bolts and nuts.



GREENE
GALVANIZED STAIRS

End Rails Used on
Bottom of Stair Run