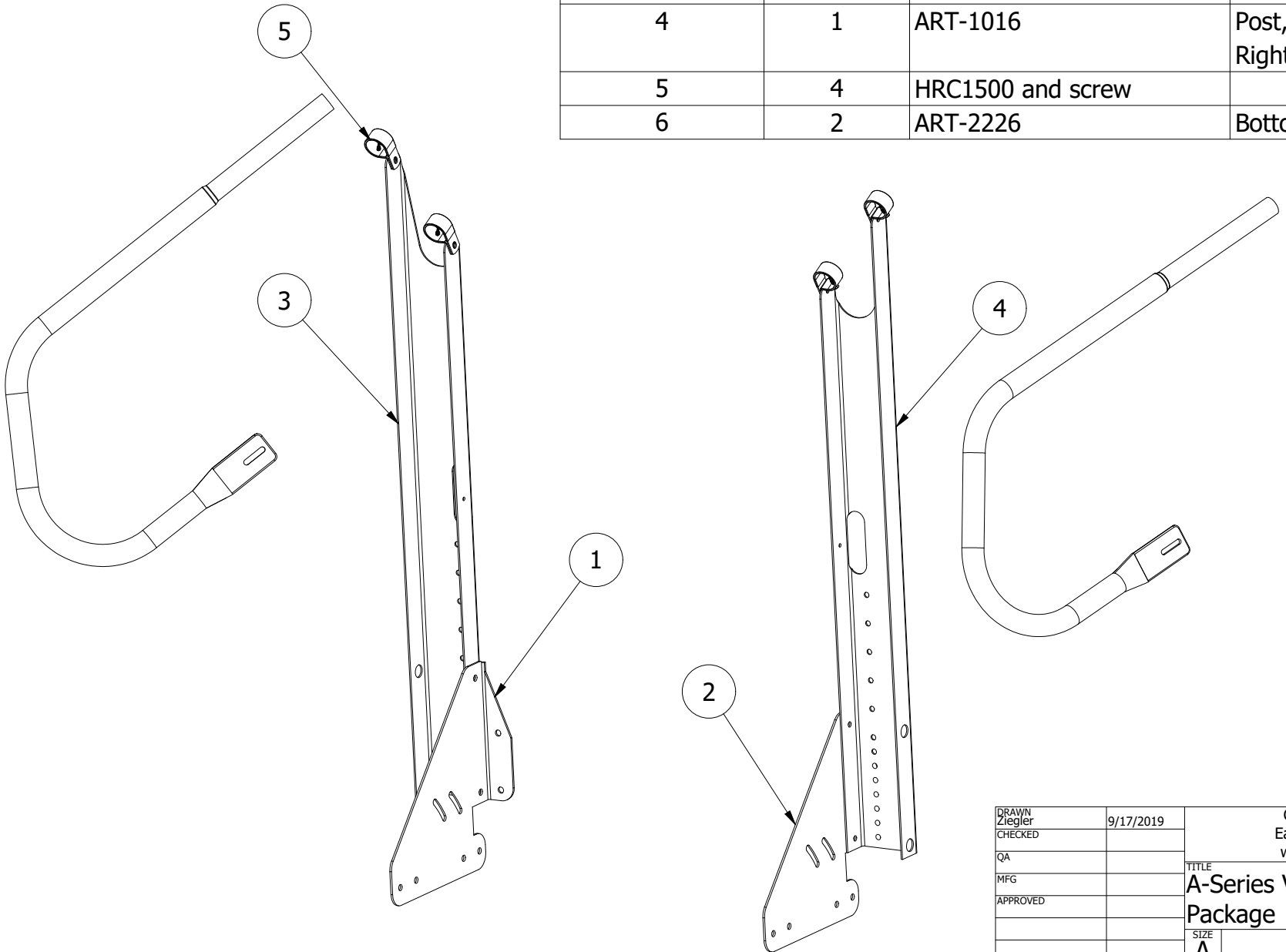


PARTS LIST			
ITEM	QTY	PART NUMBER	DESCRIPTION
1	1	ART-1103	Left Post Mount
2	1	ART-1104	Right Post Mount
3	1	ART-1015	Post, Stair Rail, Guard Rail Left
4	1	ART-1016	Post, Stair Rail, Guard Rail Right
5	4	HRC1500 and screw	
6	2	ART-2226	Bottom End Rail



DRAWN Ziegler	9/17/2019	Greene Galvanized Stairs East Lynn, IL 217.375.4244 www.greenebinsstairs.com	
CHECKED		TITLE <b>A-Series Variable Stair Top Post Package</b>	
QA		SIZE <b>A</b>	DWG NO <b>AVT0001</b>
MFG		SCALE <b>1 / 10</b>	REV
APPROVED		SHEET <b>1</b> OF <b>1</b>	