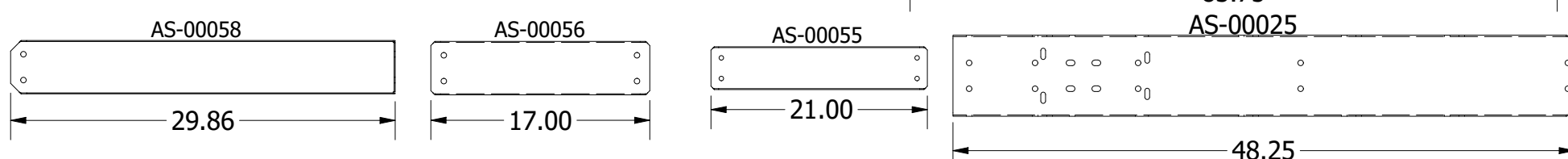
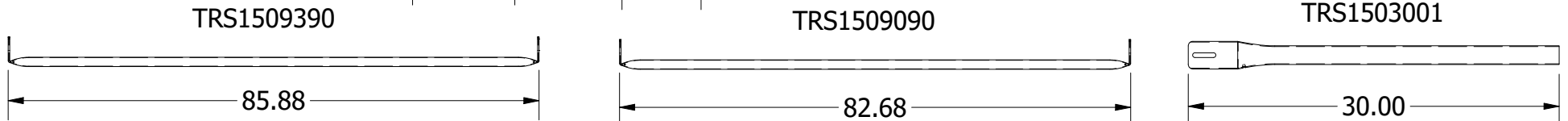
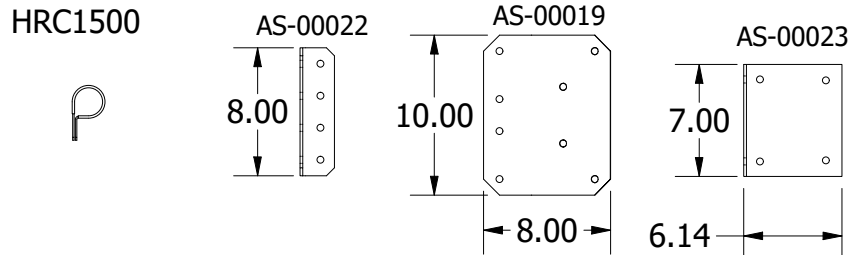
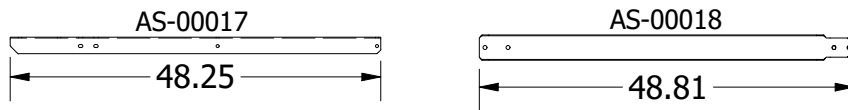
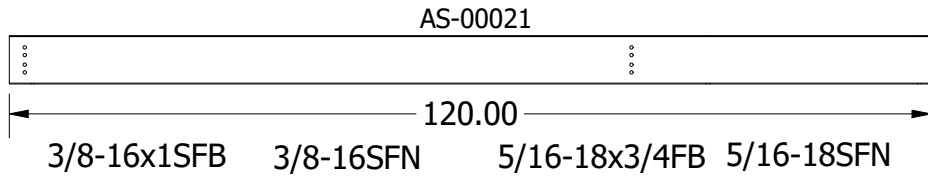
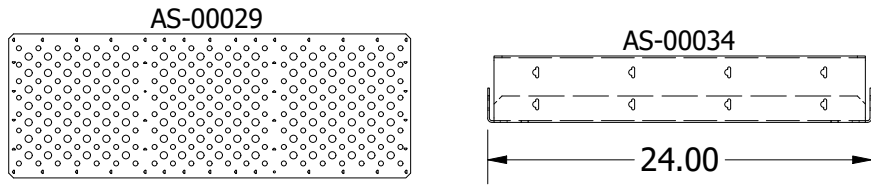


ATS08430 - Parts List

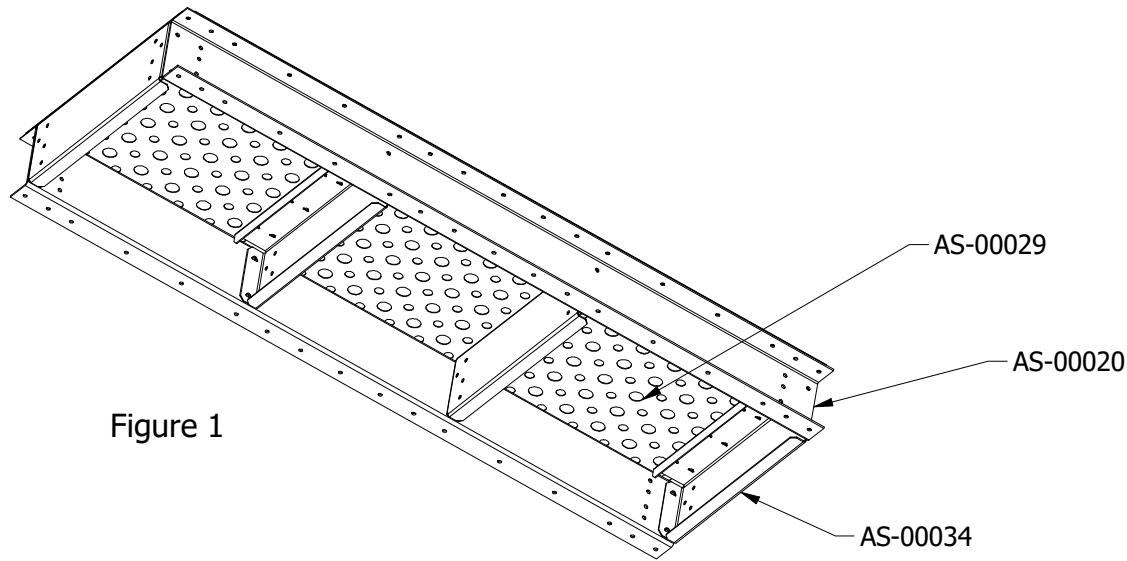


PARTS LIST

ITEM	QTY	PART NUMBER	DESCRIPTION
1	2	AS-00021	Channel 6 x 2 x .168 x 120
2	4	AS-00034	Channel Cross Member
3	2	AS-00020	Channel 8 x 3 x .168 x 96
4	2	AS-00018	Angle Knee Brace
5	2	AS-00019	Plate Knee Brace Mount
6	6	AS-00017	Post 4 x 2 x .108 x 48.5
7	16	AS-00022	Bracket Post Mount
8	2	AS-00023	Bracket Corner Angle
9	1	AS-00029	Plate Deck Tread Plate
10	12	HRC1500	Handrail Clamp for 1.5 in
11	2	AS-00059	Side Long Kick Board
12	1	AS-00056	Entry Middle Kick Board
13	1	AS-00055	Side Middle Kick Board
14	1	AS-00057	Entry Kick Board
15	2	AS-00058	End Kick Board
19	1	TRS1509390	85.88" long 1.5 in tube railing slotted end tabs
20	4	TRS1503001	30 in long with slotted tab on one end
21	1	TRS1509090	82.68" long 1.5 in tube railing slotted end tabs
22	4	AS-00025	Post 6.25 x 2 x .108 x 48.5

Step 1

- A. Take the two (2) AS-00020 rails and place them beneath the AS-00029 tread deck. The flanges must be facing outward.
- B. Secure in place with thirty (30) 3/8" Flange Bolts and thirty (30) 3/8" Lock Nuts. The bolts should be arranged so that the nuts are on the inside of the channel.
- C. Place the four (4) AS-00034 braces beneath AS-00029 tread deck. Secure each brace to deck with four (4) 3/8" Flange Bolts and four (4) 3/8" Lock Nuts. The bolts should be arranged so that the nuts are on the inside of the deck.
- D. Secure the four (4) AS-00034 braces to the AS-00020 rails using four (4) 3/8" Flange Bolts and four (4) 3/8" Lock Nuts.



PARTS USED IN STEP 1		
PART NUMBER	DESCRIPTION	QTY
AS-00020	Channel 8 x 3 x .168 x 96	2
AS-00029	Plate Deck Tread Plate	1
AS-00034	Channel Cross Member	4

Step 2

- A. Place one (1) AS-00022 bracket along each connection of AS-00034 to AS-00020.
- B. Secure in place with thirty-two (32) 3/8" Flange Bolts and thirty-two (32) 3/8" Lock Nuts. The bolts should be arranged so that the nuts are on the outside of the bracket.
- C. Place one (1) AS-00023 bracket at both corners on one side of platform. This will become the inside of the platform. Bolt brackets to AS-00034 with two (2) 3/8" Flange Bolts and two (2) 3/8" Lock Nuts, securing bracket with the outside two holes. Bolt brackets to AS-00022 bracket using one (1) 3/8" Flange Bolt and Lock Nut per AS-00022 bracket.

*Remaining two holes on AS-00023 bracket should be open for step 3

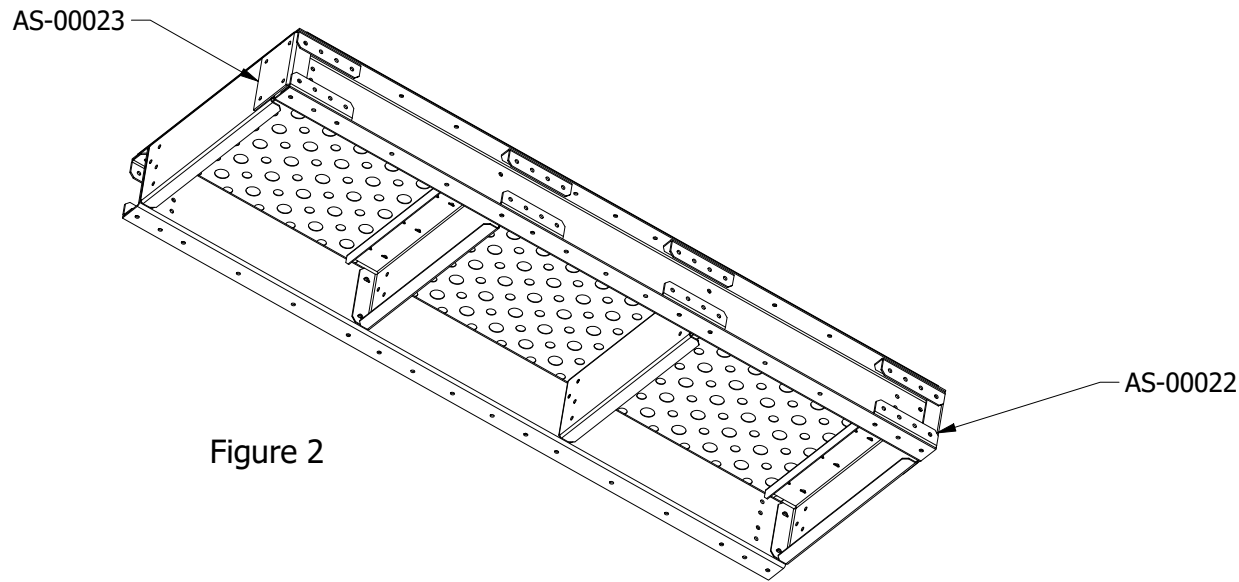
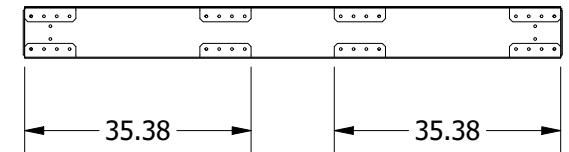


Figure 2

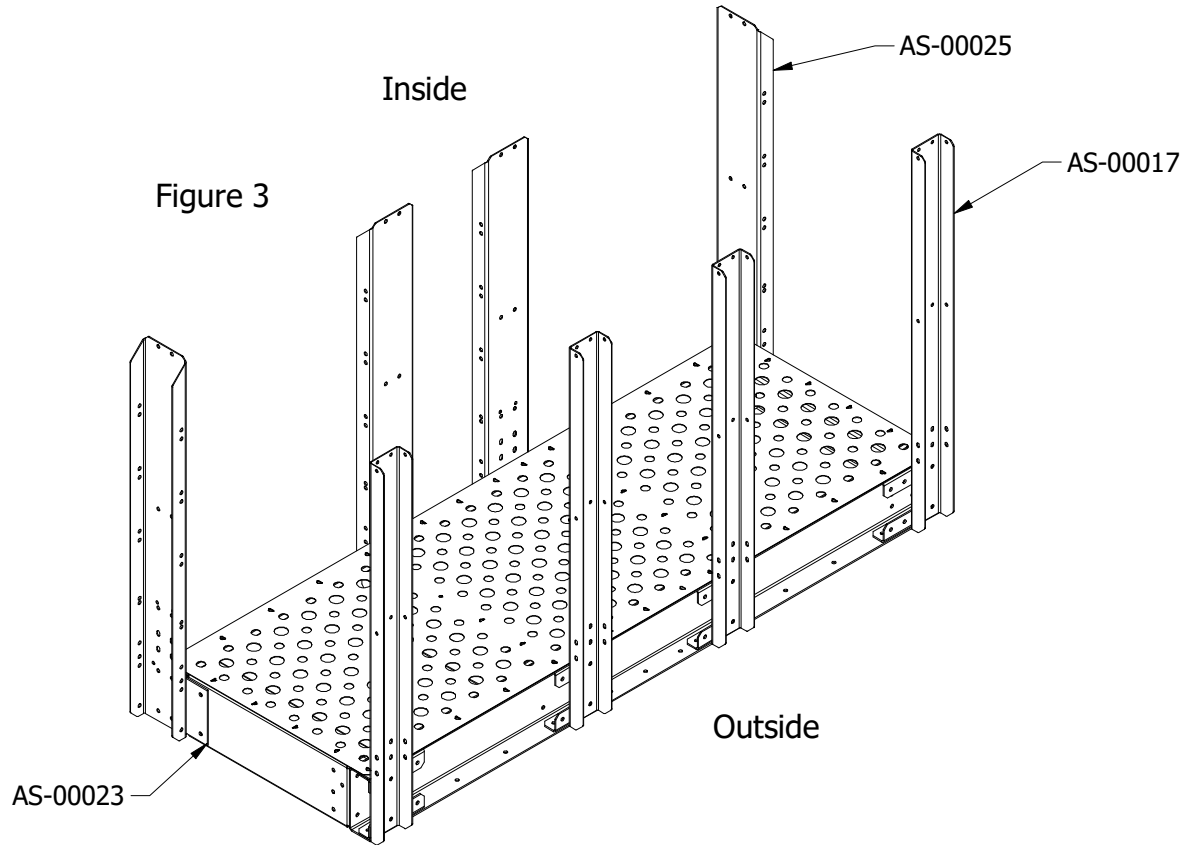
PARTS USED IN STEP 2		
PART NUMBER	DESCRIPTION	QTY
AS-00022	Bracket Post Mount	16
AS-00023	Bracket Corner Angle	2

When this step is completed, the assembly should look like this:



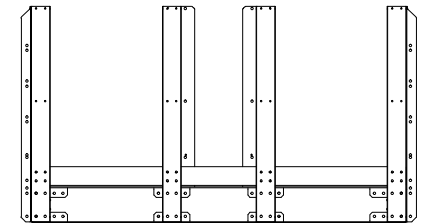
Step 3

- A. Place four (4) AS-00017 posts along outside of platform base. Bolt posts to AS-00022 brackets using four (4) 3/8" Flange Bolts and four (4) 3/8" Lock Nuts for each post. Secure posts using two (2) middle holes on the AS-00022 brackets. Refer to step 3 continued page for bolt layout.
- B. Place two (2) AS-00025 posts along the middle of the inside of platform base. Bolt posts to AS-00022 brackets using four (4) 3/8" Flange Bolts and four (4) 3/8" Lock Nuts for each post. Refer to step 3 continued page for bolt layout.
- C. Remaining two (2) AS-00025 posts will be placed along outside of AS-00023 corner brackets. Bolt posts to bracket using two bottom holes on inside of post. Outer holes will connect platform to stair section. Refer to step 3 continued page for bolt layout.

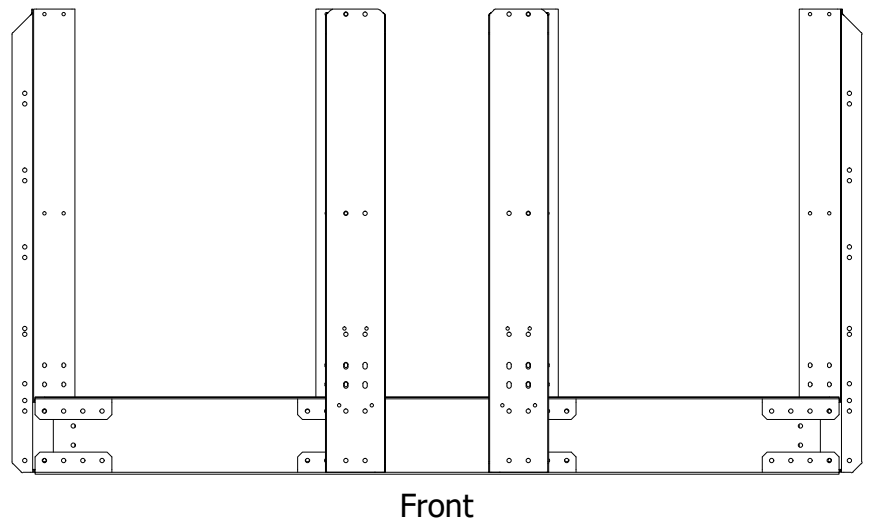
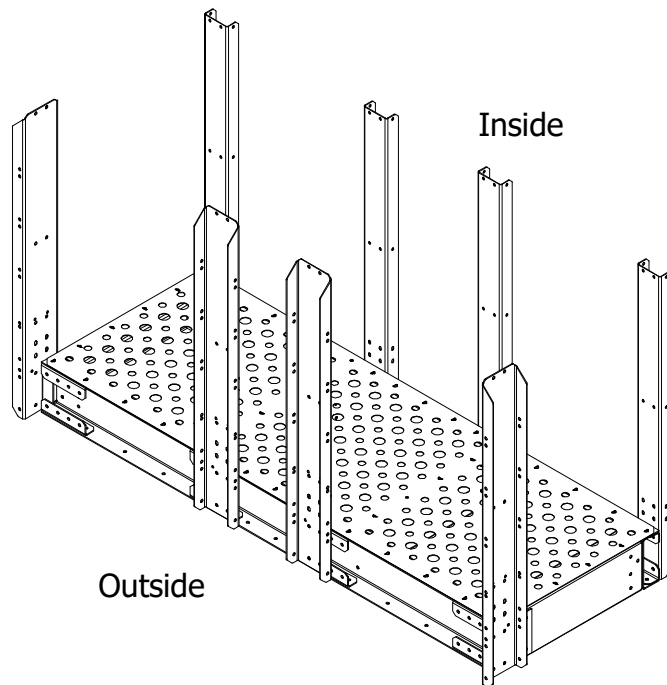
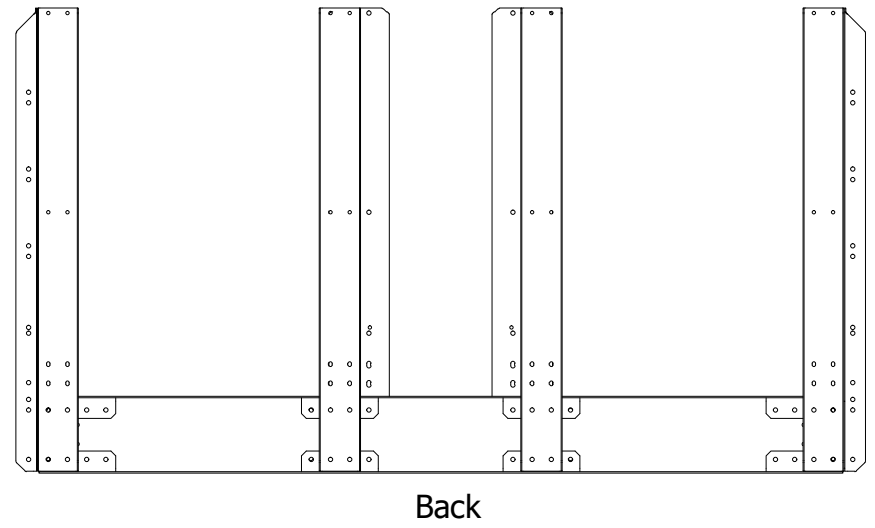
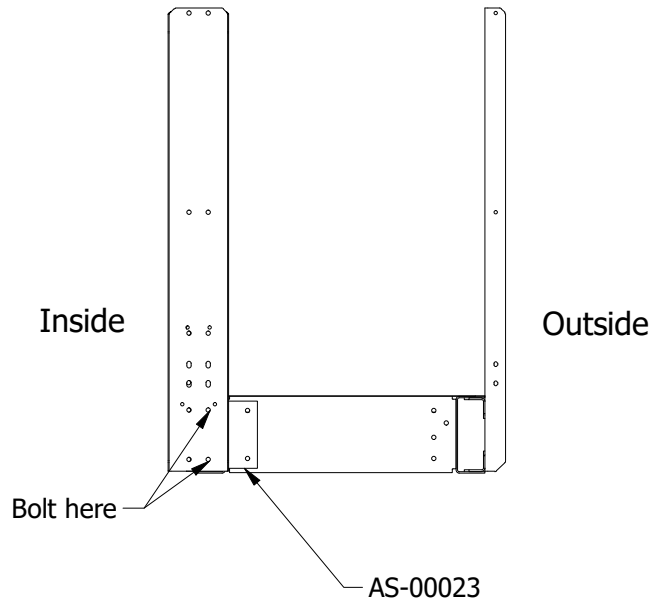


PARTS USED IN STEP 3		
PART NUMBER	DESCRIPTION	QTY
AS-00017	Post 4 x 2 x .108 x 48.5	6
AS-00025	Post 6.25 x 2 x .108 x 48.5	4

When this step is completed, the assembly should look like this:

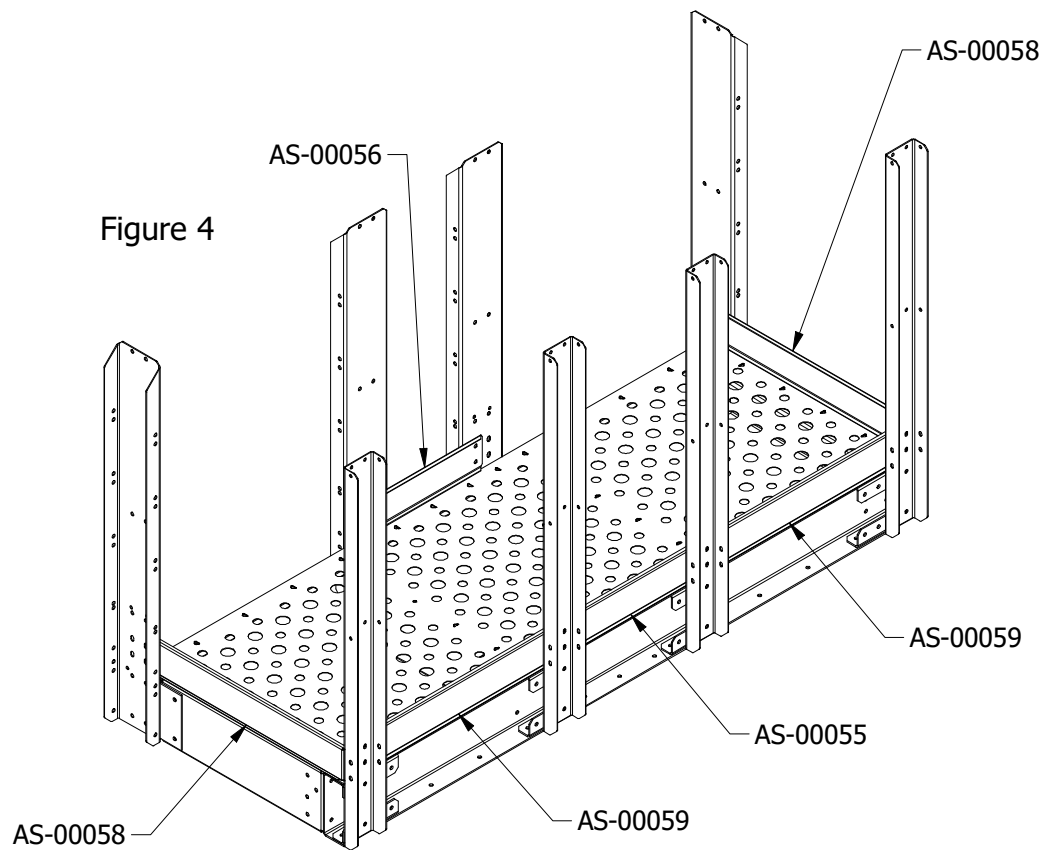


Step 3 (cont.)



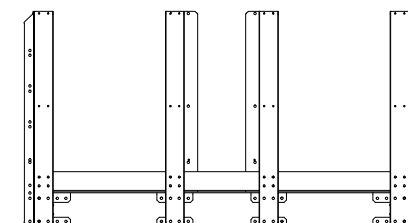
Step 4

- A. Place kickboards along deck with flange facing inward. Secure to posts using four (4) 3/8" Flange Bolts and four (4) 3/8" Lock Nuts. See step 4 continued page for layout.

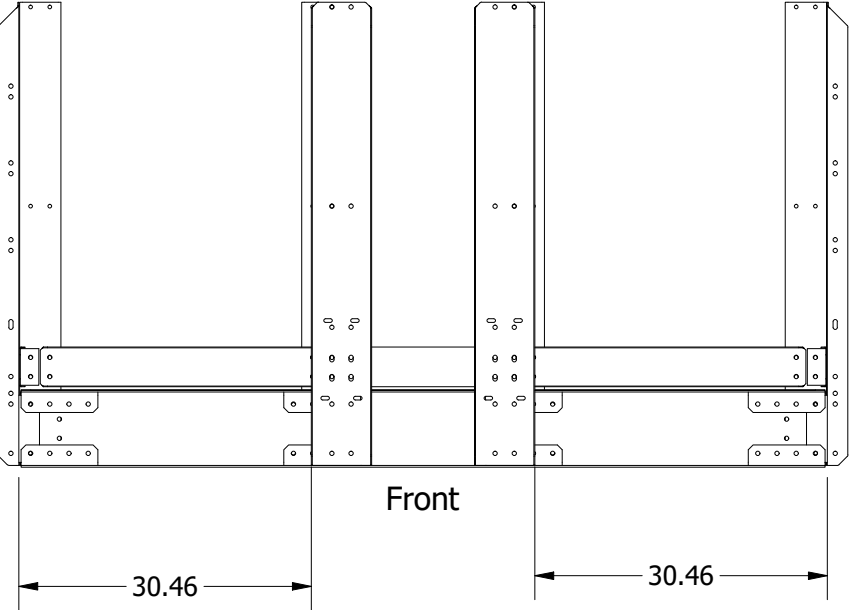
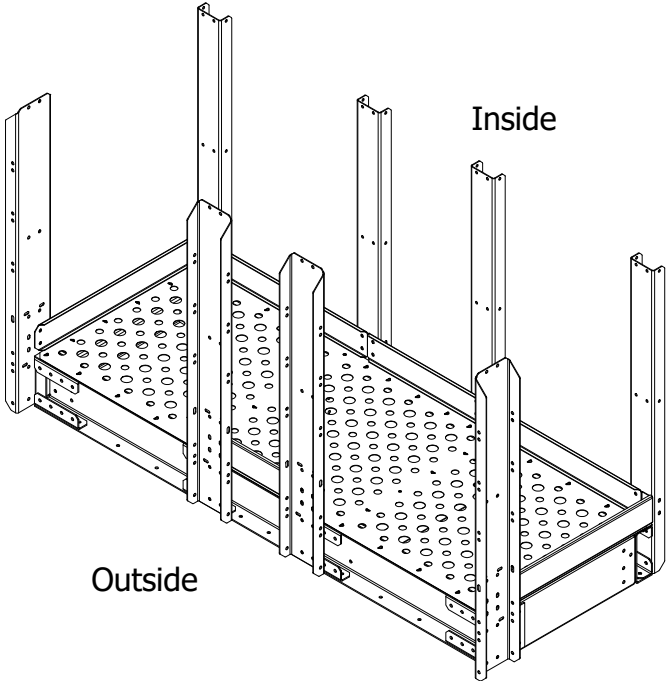
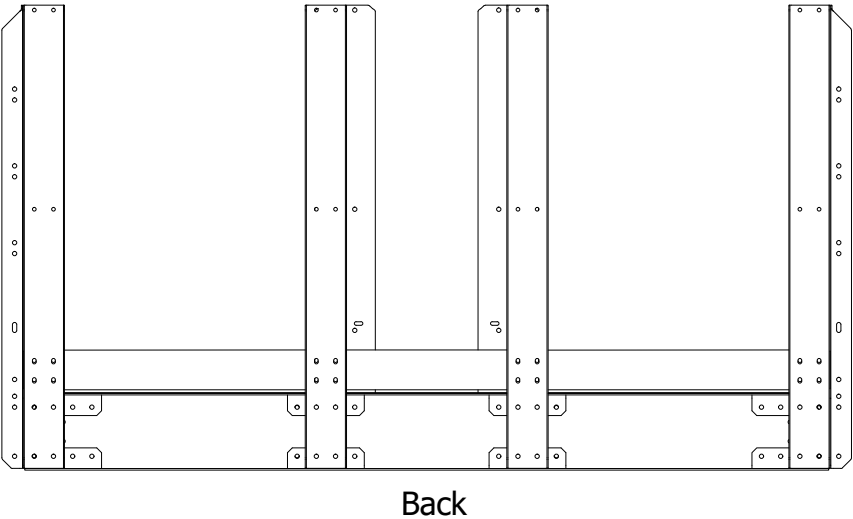
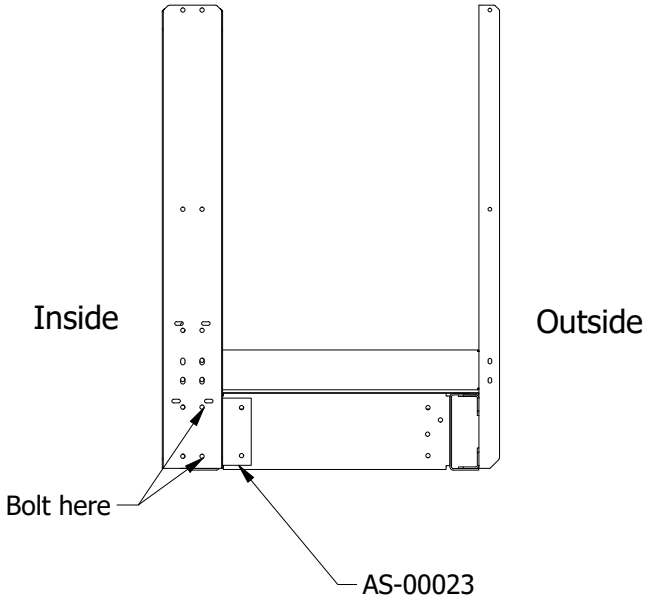


PARTS USED IN STEP 4		
PART NUMBER	DESCRIPTION	QTY
AS-00055	Side Middle Kick Board	1
AS-00056	Entry Middle Kick Board	1
AS-00058	End Kick Board	2
AS-00059	Side Long Kick Board	2

When this step is completed, the assembly should look like this:



Step 4 (cont.)

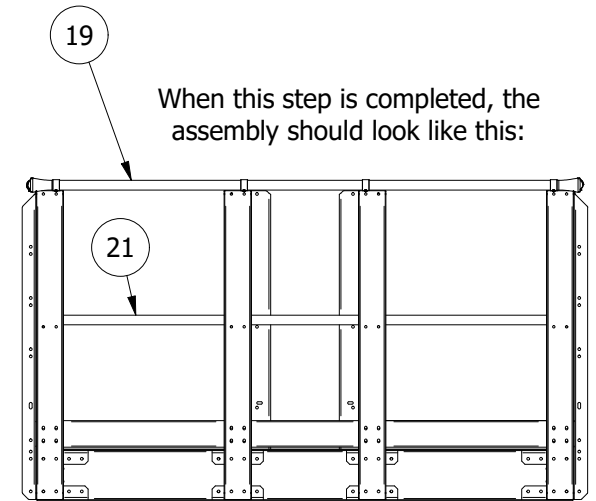
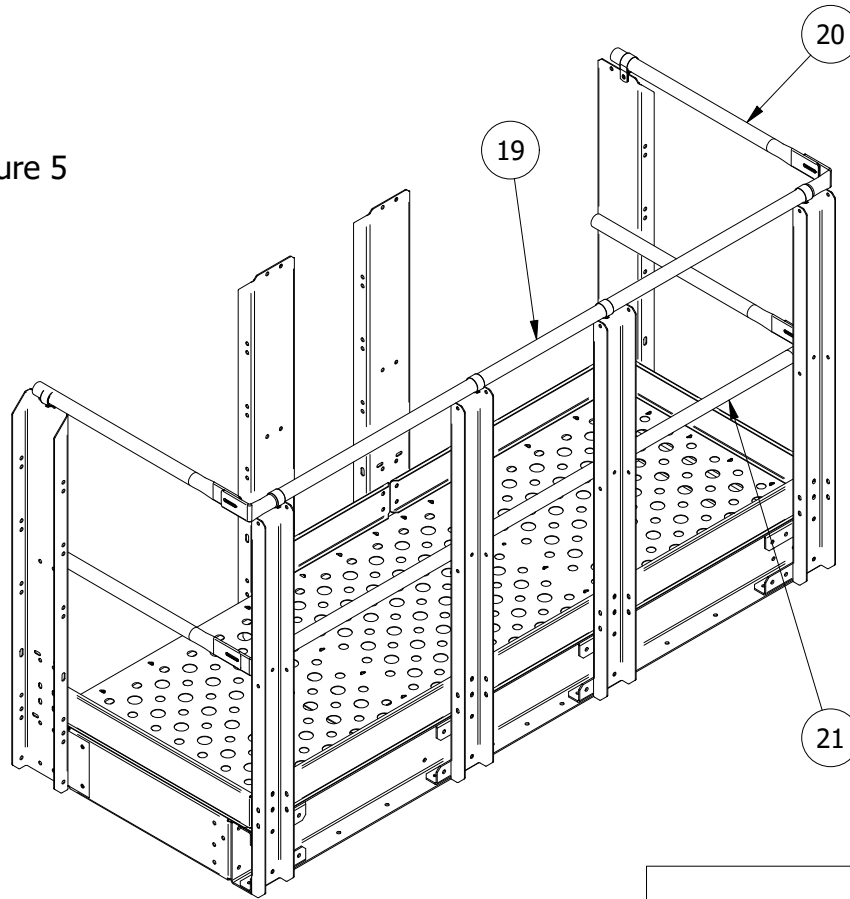


Step 5

Make sure all railing weep holes face down.

- A. Place one (1) TRS1509390 handrail along the outside of the platform at the top and TRS1509090 in middle position of the posts. Secure each handrail using one (1) HRC1500 clamp on each post.
- B. Place one (1) TRS1503001 handrail along the two short sides of the platform at the top and middle positions of the posts. Secure each handrail using the HRC1500 clamps as shown in detail BD. Use the slotted end to connect to the bent tab on long railings.

Figure 5



PARTS LIST

ITEM	QTY	PART NUMBER	DESCRIPTION
10	12	HRC1500	Handrail Clamp for 1.5 in
19	1	TRS1509390	85.88" long 1.5 in tube railing slotted end tabs
20	4	TRS1503001	30 in long with slotted tab on one end
21	1	TRS1509090	82.68" long 1.5 in tube railing slotted end tabs

Step 6

- A. Place two (2) AS-00018 knee braces beneath platform with the flanges facing inward. Brace will be bolted to inside of AS-00034 at holes near the outside of platform.
- B. Secure in place with two (2) 3/8" Flange Bolts and two (2) 3/8" Lock Nuts.

*AS-00019 mounts will be directly bolted to Tower X-Brace stage by stage as shown in later pages. Platform will then be secured to mounts via knee brace.

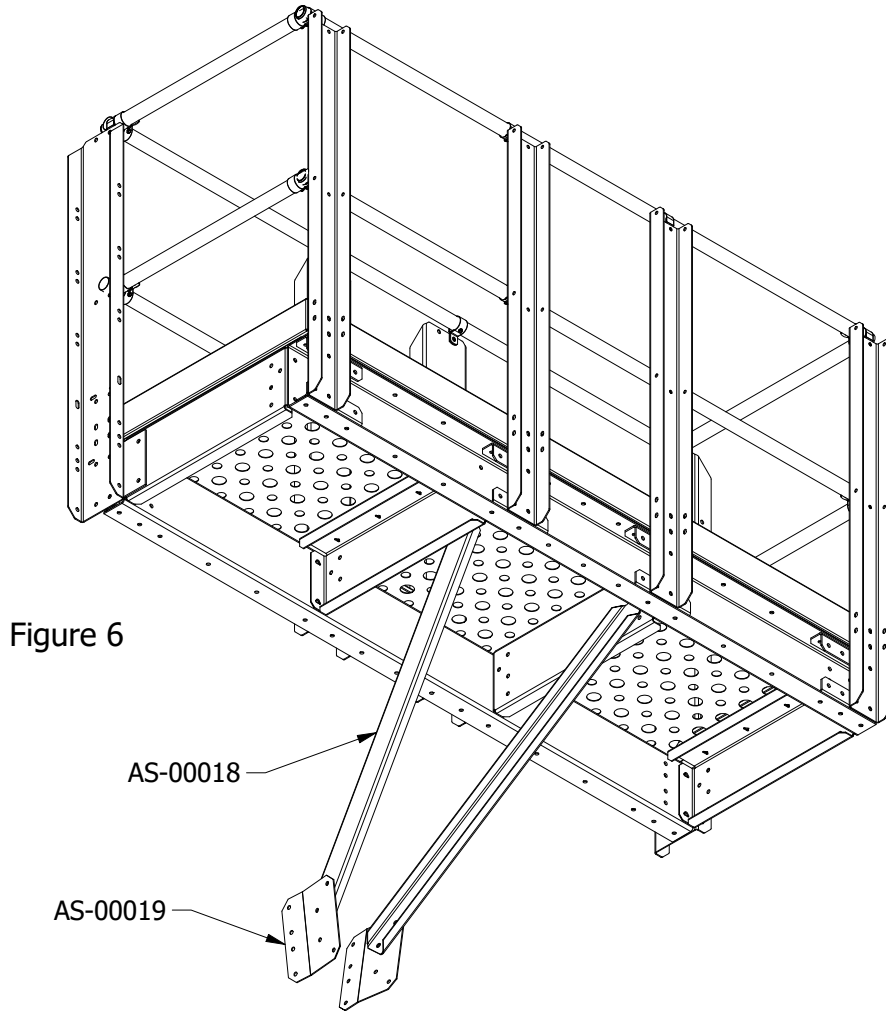
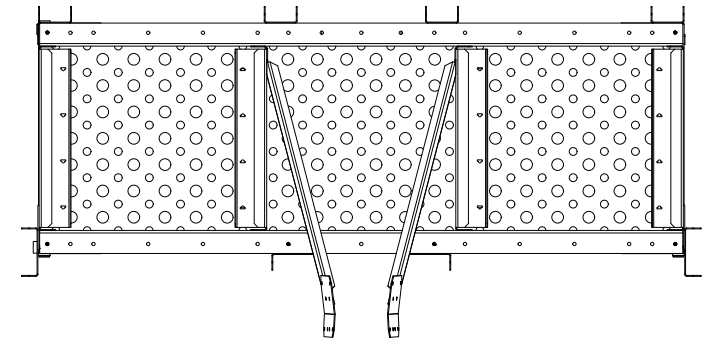


Figure 6

PARTS USED IN STEP 6		
PART NUMBER	DESCRIPTION	QTY
AS-00018	Angle Knee Brace	2
AS-00019	Plate Knee Brace Mount	2

When this step is completed, the assembly should look like this:

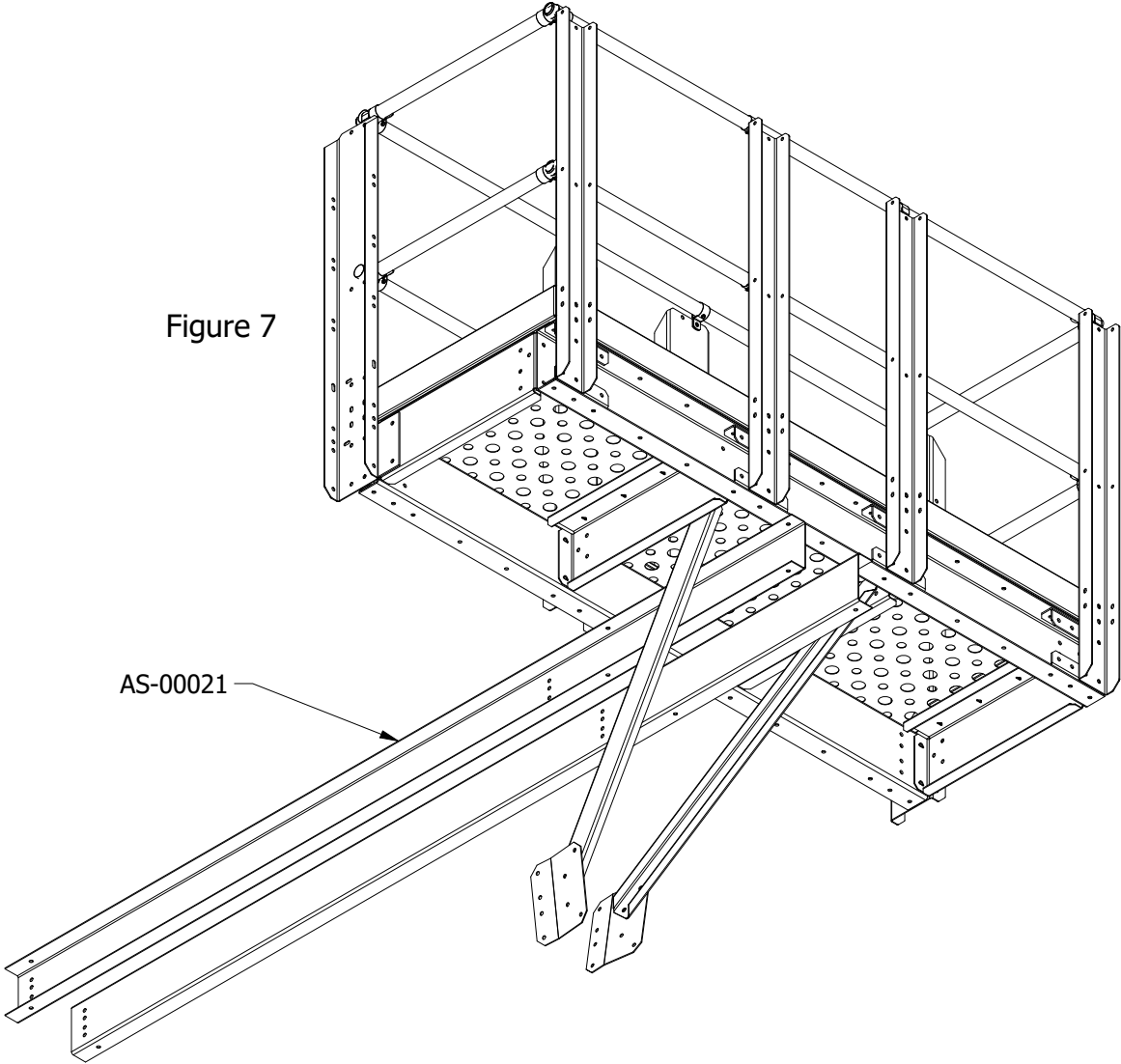


Below Platform

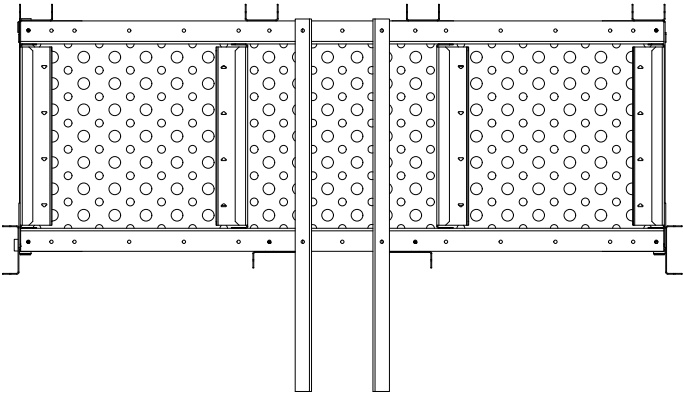
Step 7

- A. AS-00021 cross brace will be directly secured to Tower X-Brace stage by stage as shown in later pages. Platform will be secured to AS-00021 via AS-00020 channels using four (4) 3/8" Flange Bolts and four (4) 3/8" Lock Nuts.

Figure 7



PARTS USED IN STEP 7		
PART NUMBER	DESCRIPTION	QTY
AS-00021	Channel 6 x 2 x .168 x 120	2



Below Platform