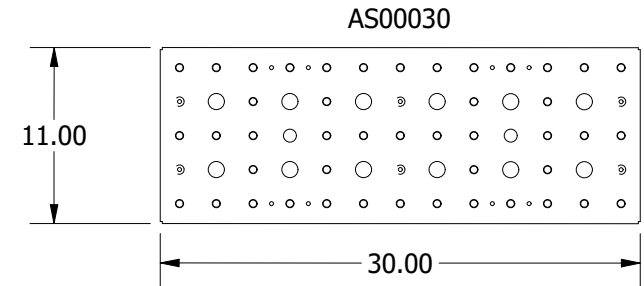
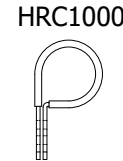
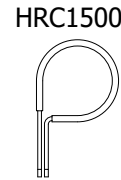
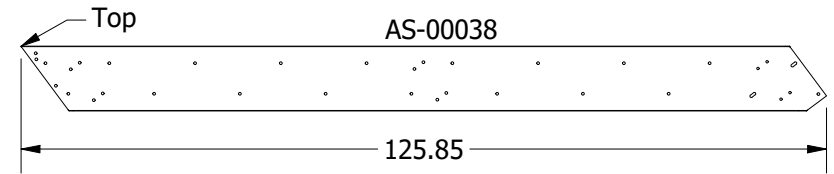
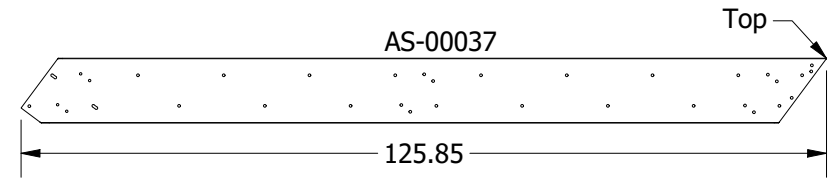
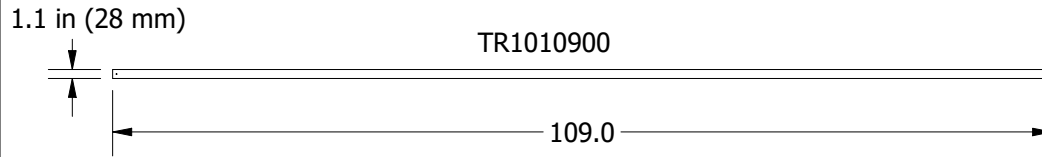
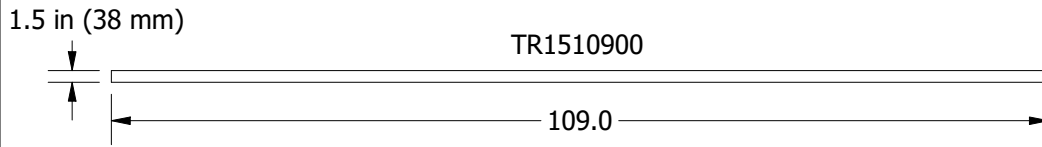
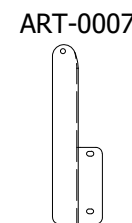
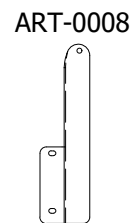
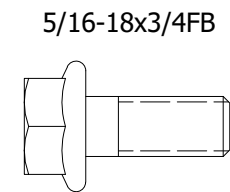
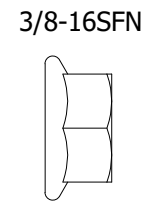
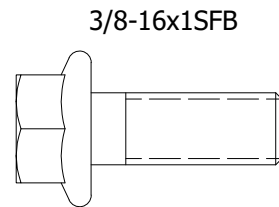


ATS0007 - Parts List

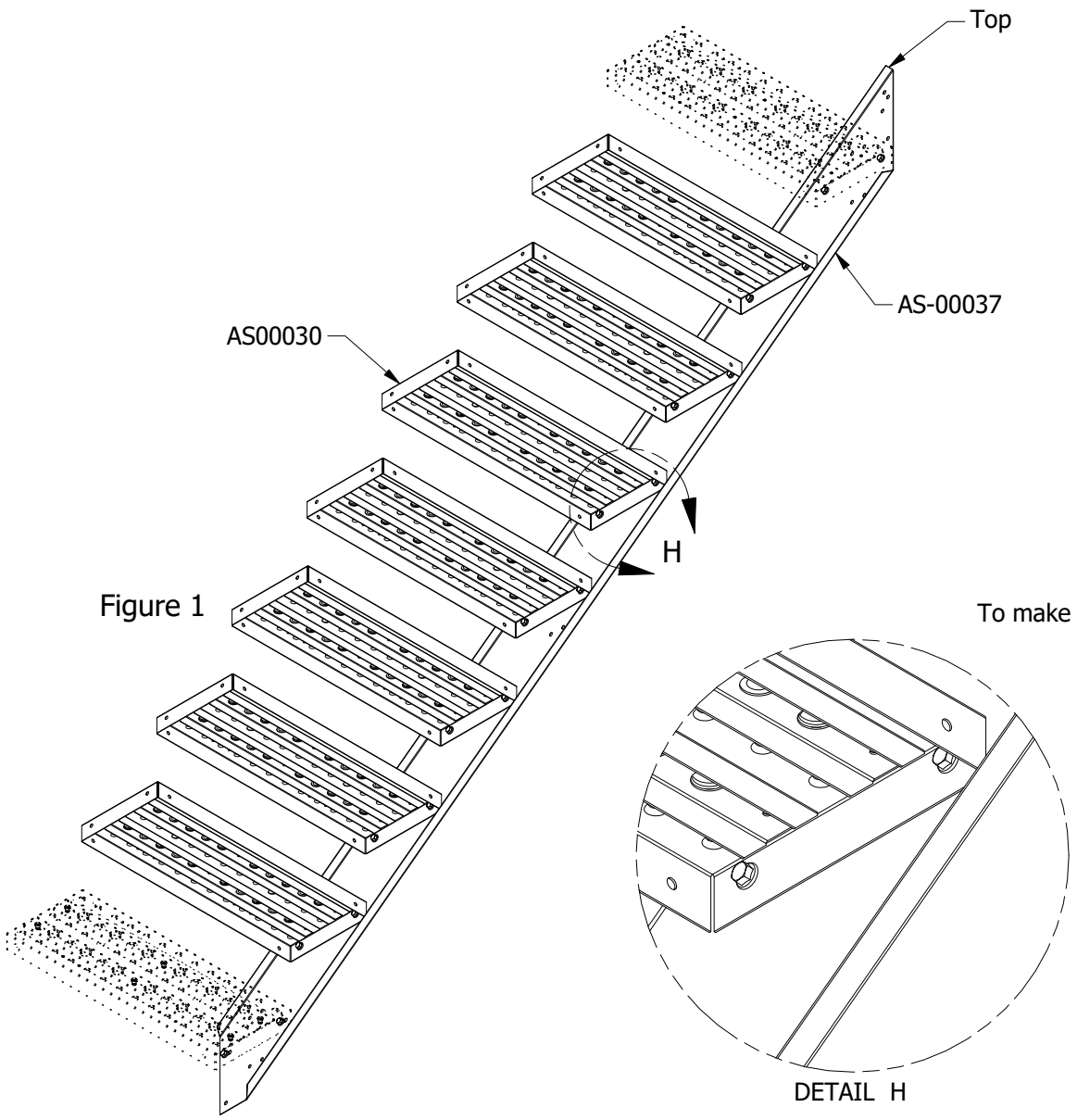


PARTS LIST			
ITEM	QTY	PART NUMBER	DESCRIPTION
1	1	AS-00037	Channel Siderail Stair Left
2	9	AS00030	Tread 30 x 11 Step Assembly
3	60	3/8-16x1SFB	3/8"-16 x 1" Flange Bolt
4	60	3/8-16SFN	3/8"-16 Whiz Lock Nut
5	1	AS-00038	Channel Siderail Stair Right
6	6	AS-00032	Channel Post Stair VP
7	12	HRC1000	1" Handrail Clamp
8	6	HRC1500	1.5" Handrail Clamp
9	2	TR1510900	1.5" Top Handrail
10	4	TR1010900	1" Intermediate Handrail
11	18	5/16-18x3/4FB	5/16"-18 x 13/4" Flange Bolt
12	18	5/16-18SFN	5/16"-18 Whiz Lock Nut
13	18	FloorScrews	Self-Tapping Screw
14	3	ART-0007	Entry Guardrail Post Right
15	3	ART-0008	Entry Guardrail Post Left



Step 1

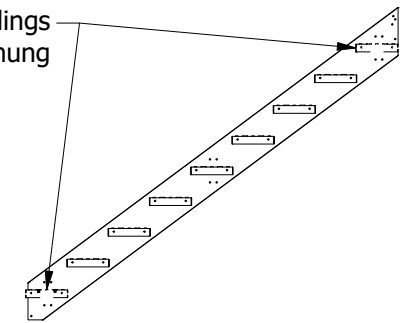
- A. Take the nine (9) AS00030 step treads and place them along the AS-00037 channel siderail. The channel flange must be facing the stairs.
- B. Use the holes on channel AS-00037 to mount each AS00030 step tread.
- C. Secure in place with eighteen (18) 3/8" Flange Bolts and eighteen (18) 3/8" Lock Nuts. The bolts should be arranged so that the nuts are on the outside of the channel. Review Figure 1, Detail A.



PARTS USED IN STEP 1		
PART NUMBER	DESCRIPTION	QTY
AS-00037	Channel Siderail Stair Left	1
AS00030	30" x 11" Tread Step	9
3/8-16x1SFB	3/8"-16 x 1" Flange Bolt	18
3/8-16SFN	3/8"-16 Whiz Lock Nut	18

When this step is completed, the assembly should look like this:

To make it easier to connect section to landings
Install after section is hung



Step 2

- A. Take side rail AS-00038 and line its holes up with the stairs on the assembly. The flange should be facing inwards, like on AS-00037 in the previous step.
- B. Secure the side rail to the steps with eighteen (18) 3/8" Flange Bolts and eighteen (18) 3/8" Lock Nuts. The bolts should be facing outward from the side rail.

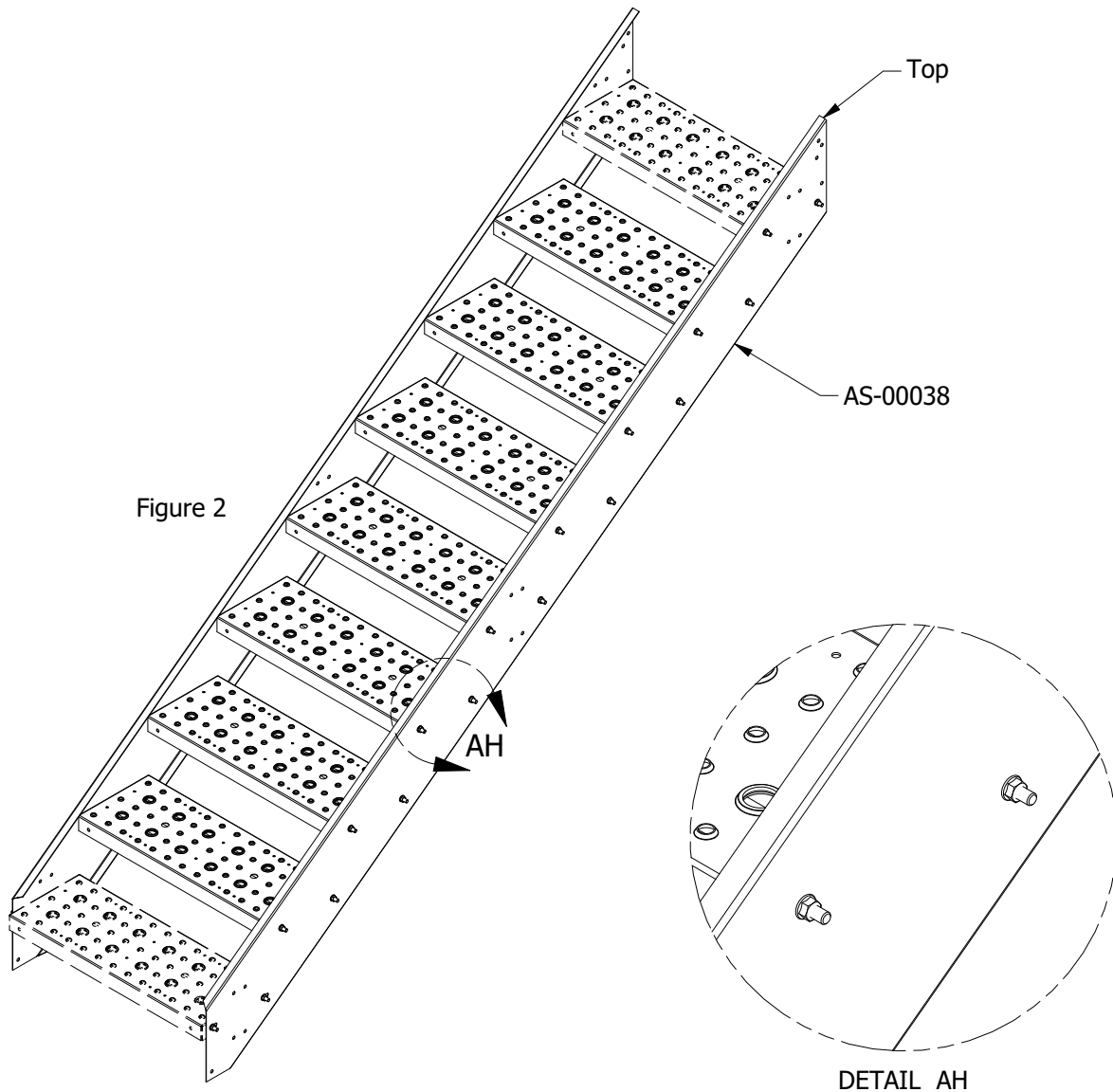
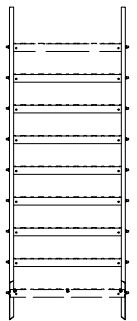


Figure 2

PARTS USED IN STEP 2

PART NUMBER	DESCRIPTION	QTY
AS-00038	Channel Siderail Stair Right	1
3/8-16x1SFB	3/8"-16 x 1" Flange Bolt	18
3/8-16SFN	3/8"-16 Whiz Lock Nut	18

When this step is completed, the assembly should look like this:

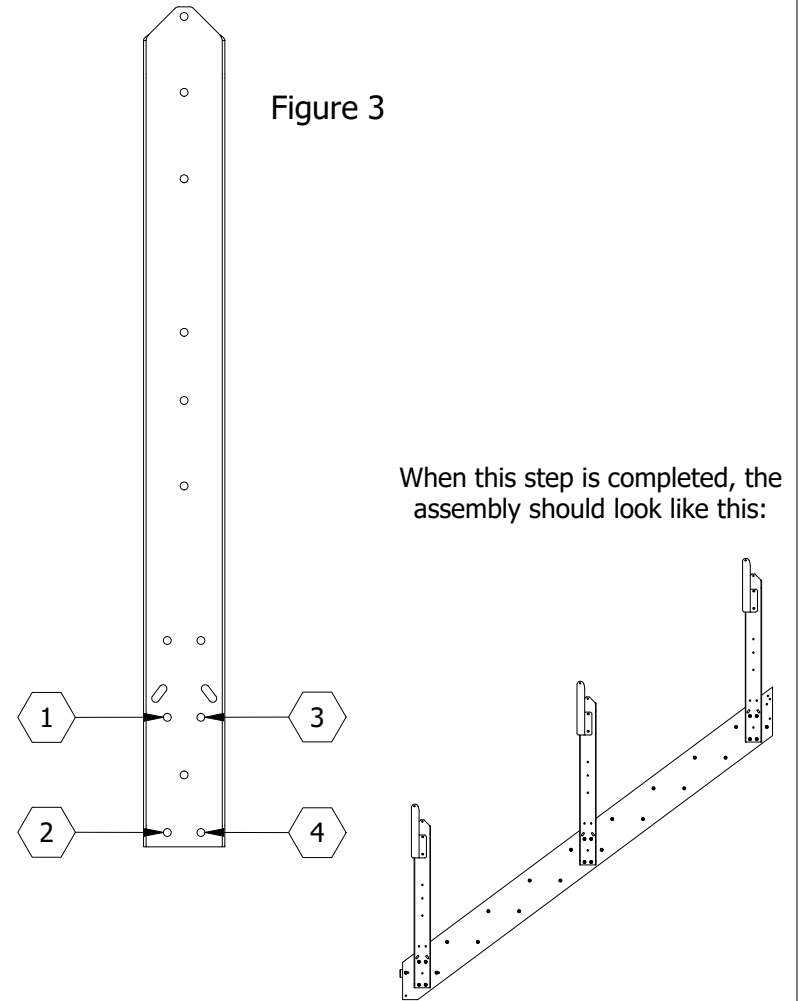
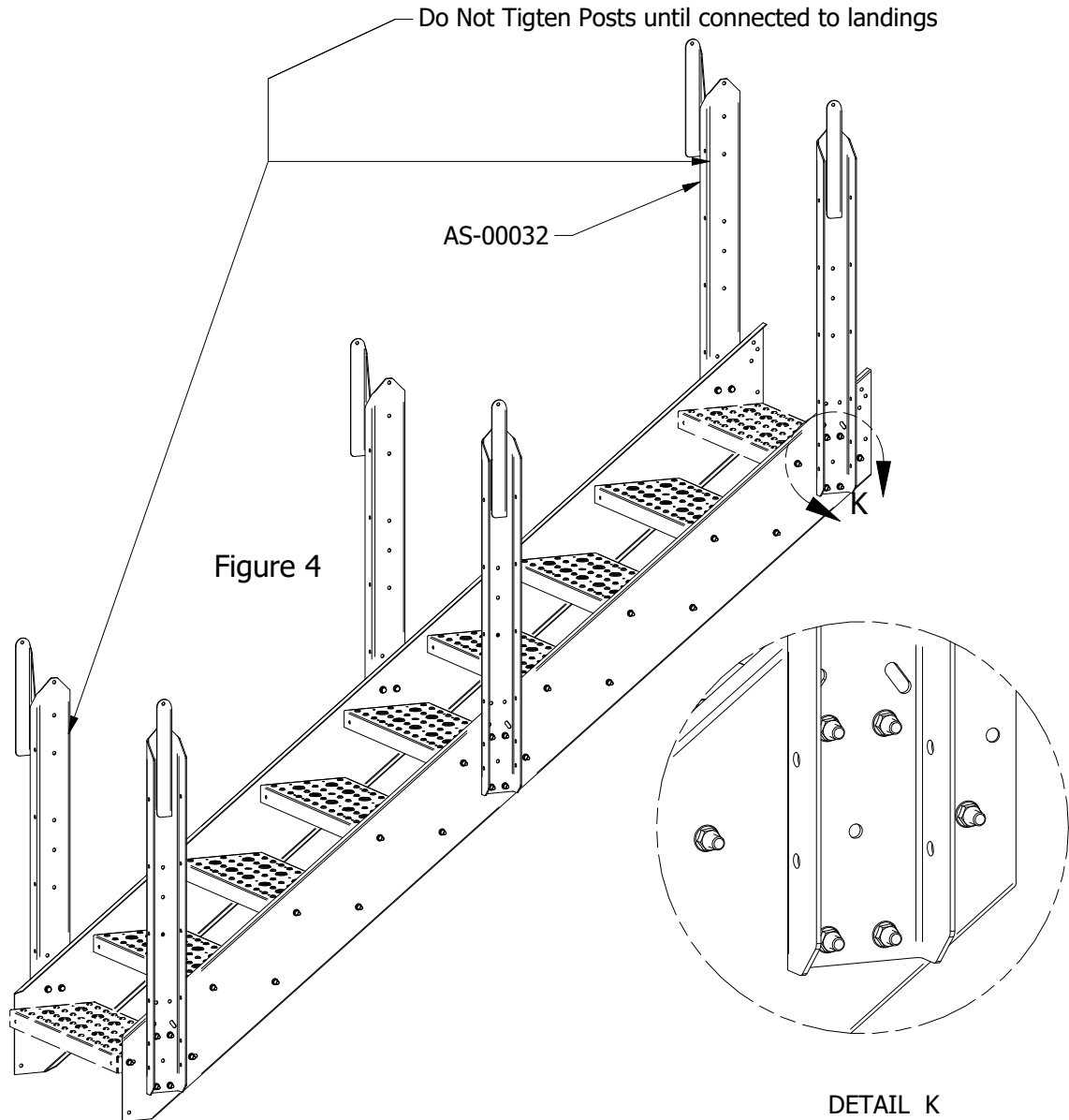


DETAIL AH

Step 3

- A. Take the six (6) AS-00032 posts and place three (3) of them on channel AS-00037 and the other three (3) on channel AS-00038.
- B. On each post, line up the four bottom holes with the same hole pattern found on channels AS-00037 and AS-00038. See Figure 3.
- C. Secure each post with four (4) 3/8" Flange Bolts and four (4) 3/8" Lock Nuts. The bolts should be facing out from the assembly. See Figure 4, Detail C.

PARTS USED IN STEP 3		
PART NUMBER	DESCRIPTION	QTY
AS-00032	Channel Post Stair VP	6
3/8-16x1SFB	3/8"-16 x 1" Flange Bolt	24
3/8-16SFN	3/8"-16 Whiz Lock Nut	24
ART-0007	Entry Guardrail Post Right	3
ART-0008	Entry Guardrail Post Left	3



Step 4

- Take the six (6) HRC1500 clamps and twelve (12) HRC1000 clamps and arrange them as shown in Figure 5, Sections D and E. HRC1500 is represented in Detail D, HRC1000 is represented in Detail E.
- Bend open the handrail clamps and insert handrails TR1510900 and TR1010900. TR1510900 will be paired with the HRC1500 clamps, and TR1010900 will be paired with the HRC1000 clamps.
- Bend the handrail clamps back over the handrails, and secure to the AS-00032 posts using a 5/16" Flange Bolt and 5/16" Lock Nut. This step will require eighteen (18) of each. The bolts should be facing towards the outside of the stairs.
- Once the handrails have been positioned for final assembly, secure the handrails to the clamps by using a Floor Screw at each clamp.

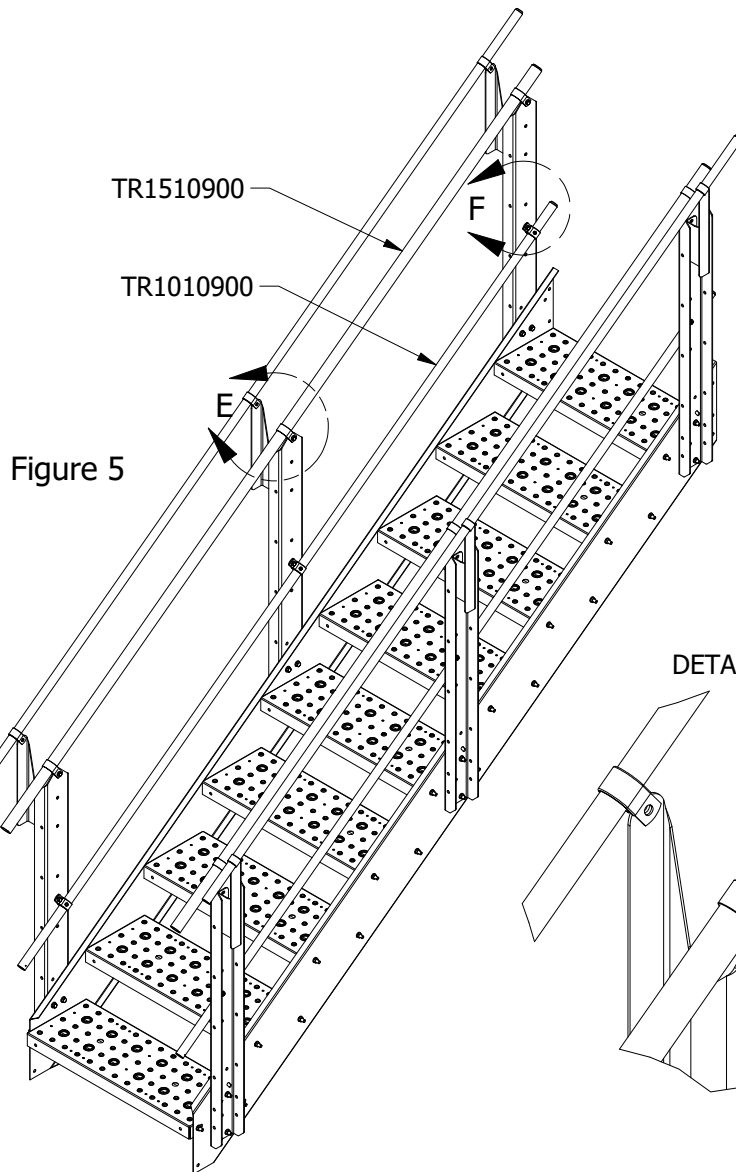
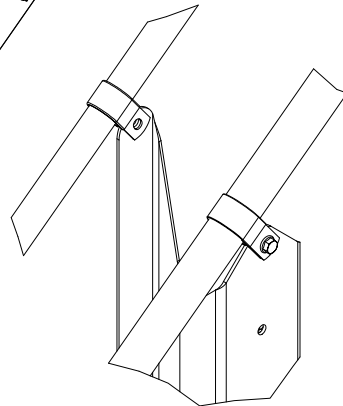
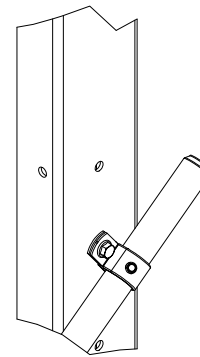


Figure 5

DETAIL E



DETAIL F



PARTS USED IN STEP 4		
PART NUMBER	DESCRIPTION	QTY
HRC1500	1.5" Handrail Clamp	6
HRC1000	1" Handrail Clamp	12
TR1510900	1.5" Top Handrail	2
TR1010900	1" Intermediate Handrail	4
5/16-18x3/4FB	5/16"-18 x 13/4" Flange Bolt	18
5/16-18SFN	5/16"-18 Whiz Lock Nut	18
FloorScrews	Self-Tapping Screw	18
ART-0007	Entry Guardrail Post Right	3
ART-0008	Entry Guardrail Post Left	3
HRC1000	Handrail Clamp for 1 in	3

When this step is completed,
the assembly is complete.

