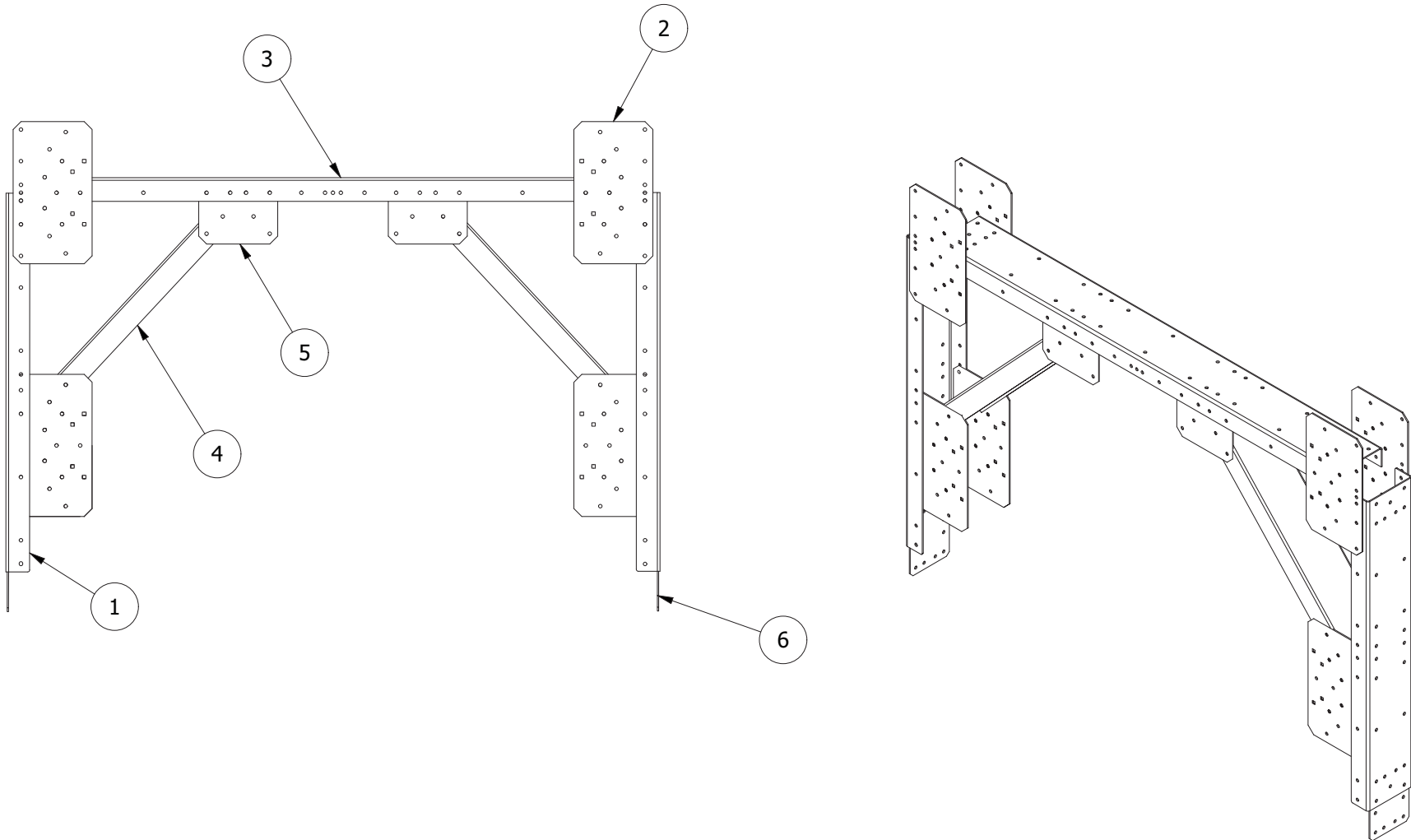


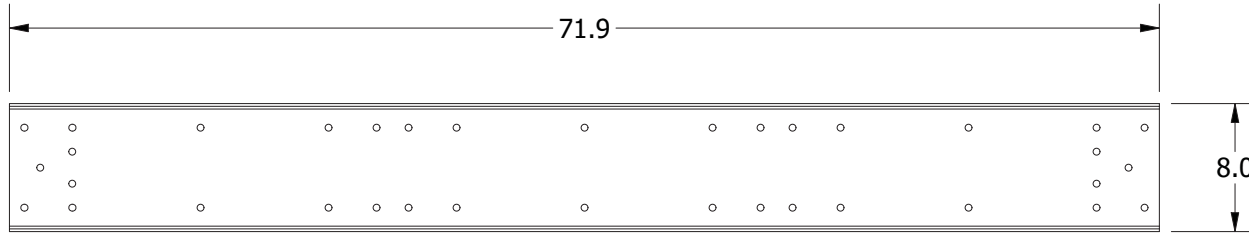
ATS0004, Tower Stair 4' Top Tower Section.

PARTS LIST			
ITEM	QTY	PART NUMBER	DESCRIPTION
1	2	AS-00003	Channel 8 x 3 x x 48
2	8	AS-00012	Plate Leg Cross Dia Brace Mount
3	1	AS-00004	Channel 8 x 3 x 72
4	2	AS-00013	Channel Diagonal Brace
5	4	AS-00008	Plate Leg Brace TS
6	2	AS-00016	Web Splice Bracket

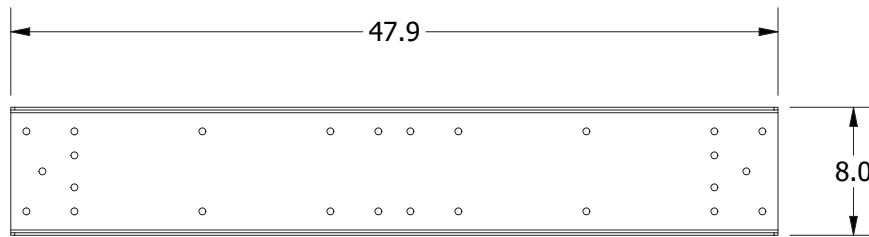


ATS0004, Tower Stair 4' Top Tower Section.

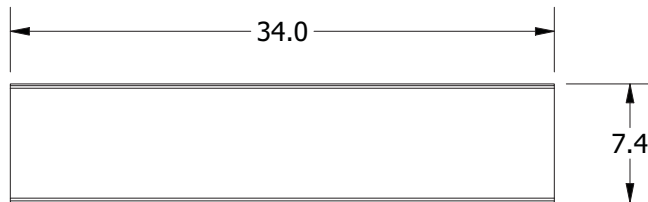
PARTS LIST			
ITEM	QTY	PART NUMBER	DESCRIPTION
1	2	AS-00003	Channel 8 x 3 x x 48
2	8	AS-00012	Plate Leg Cross Dia Brace Mount
3	1	AS-00004	Channel 8 x 3 x 72
4	2	AS-00013	Channel Diagonal Brace
5	4	AS-00008	Plate Leg Brace TS
6	2	AS-00016	Web Splice Bracket



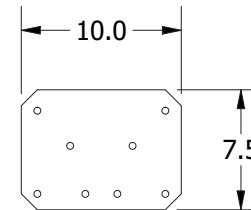
AS-00004



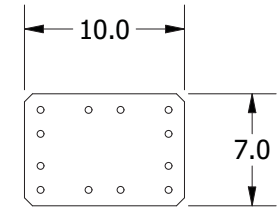
AS-00003



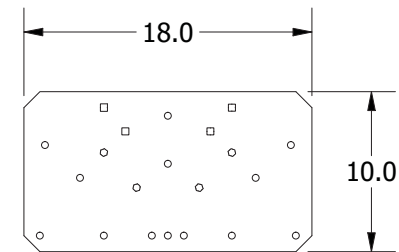
AS-00013



AS-00008

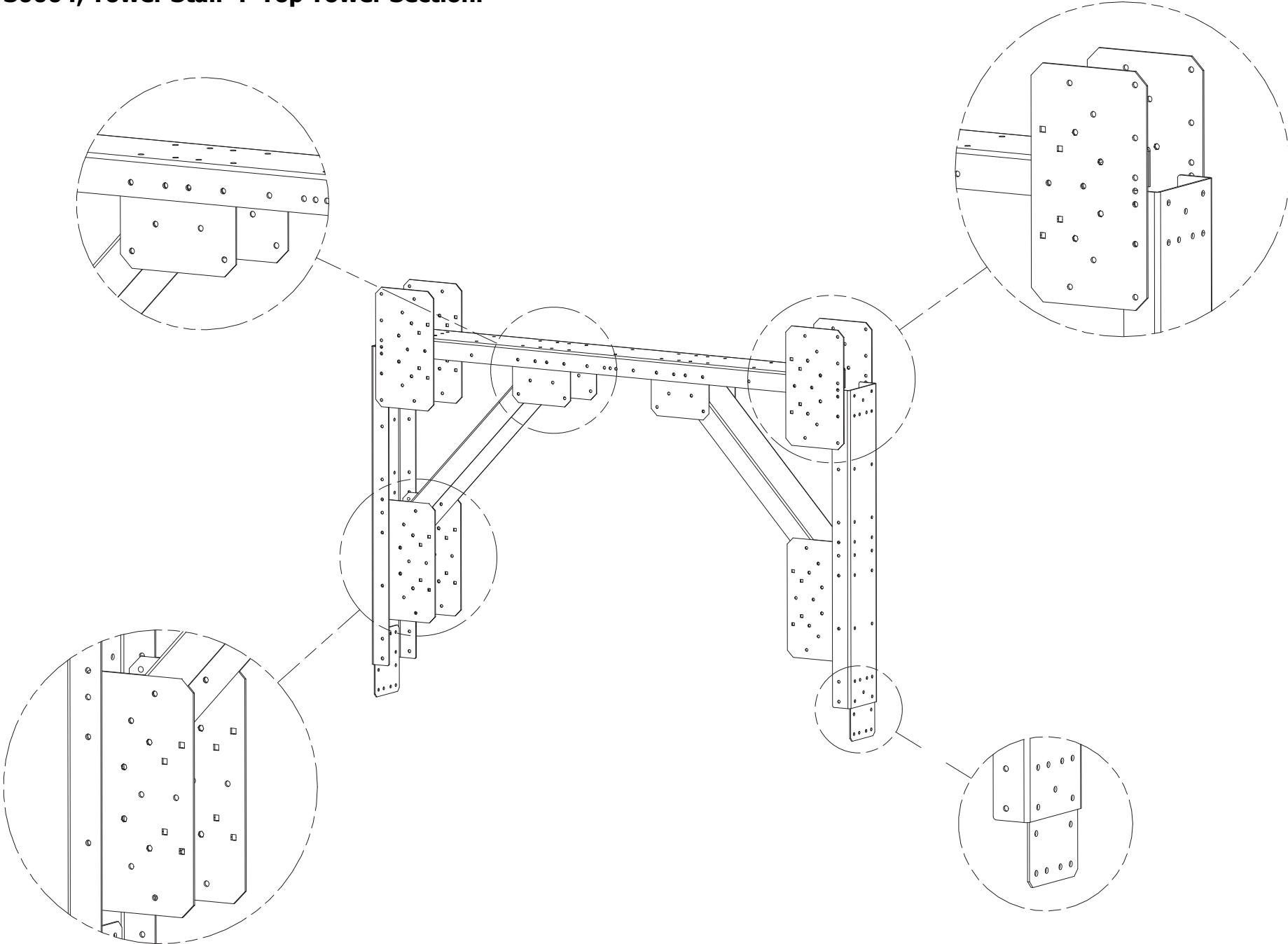


AS-00016



AS-00012

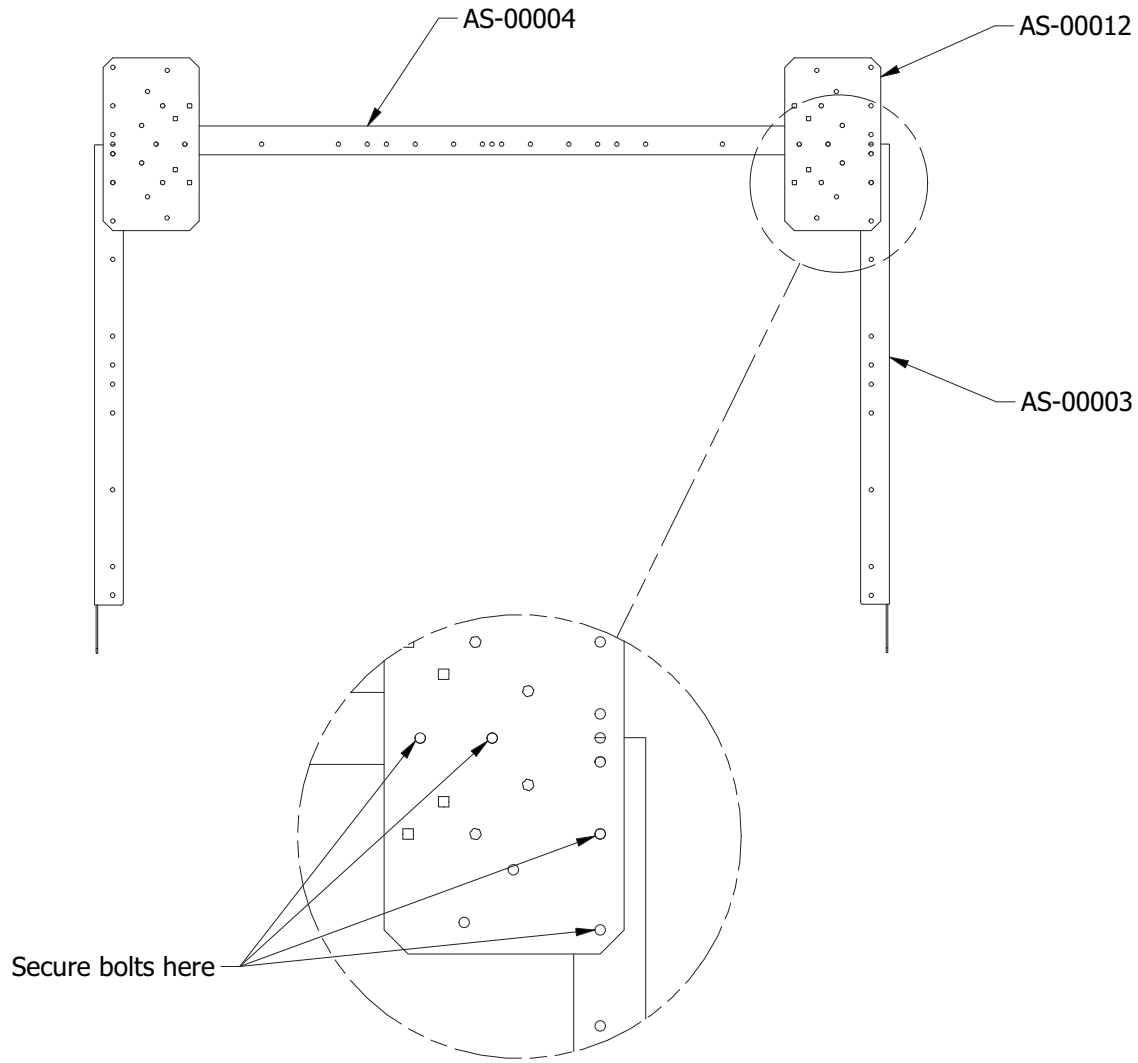
ATS0004, Tower Stair 4' Top Tower Section.



Step 1

- A. Take both AS-00003 braces and line the holes up with the ends of the AS-00004 brace. Secure the parts using four (4) AS-00012 plates (two per side) as shown.
- B. Secure the plates to the exterior of the braces with sixteen (16) 3/8" Flange Bolts and sixteen (16) 3/8" Lock Nuts. The bolts should be facing inward from the plate.

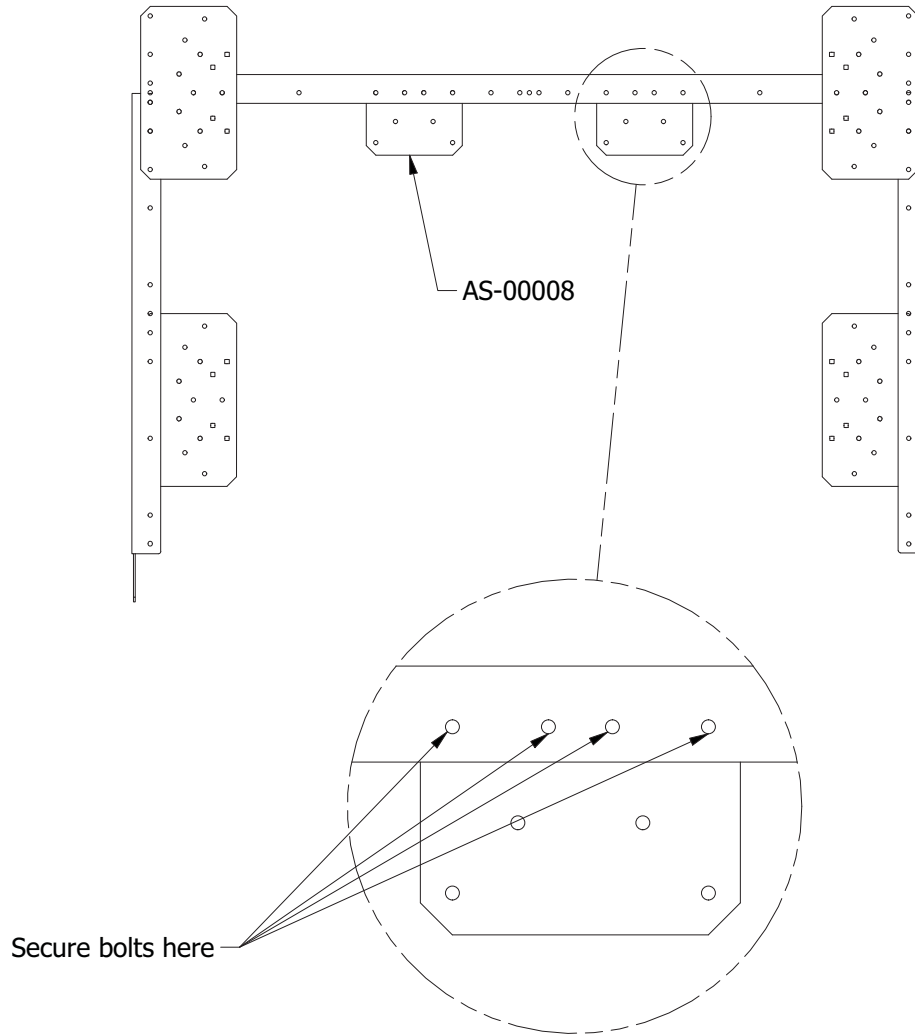
PARTS USED IN STEP 1		
PART NUMBER	DESCRIPTION	QTY
AS-00003	Channel 8 x 3 x x 48	2
AS-00004	Channel 8 x 3 x 72	1
AS-00012	Plate Leg Cross Dia Brace Mount	4



Step 2

- A. Add the remaining AS-00012 plates using eight (8) 3/8" Flange bolts and eight (8) Lock Nuts to secure them to the interior of the AS-00003 braces as shown.
- B. Add the four (4) AS-00008 plates to the AS-00004 brace using sixteen (16) 3/8" Flange bolts and sixteen (16) Lock Nuts to secure them to the interior of the brace.

PARTS USED IN STEP 2		
PART NUMBER	DESCRIPTION	QTY
AS-00008	Plate Leg Brace TS	4



Step 3

PARTS USED IN STEP 3		
PART NUMBER	DESCRIPTION	QTY
AS-00013	Channel Diagonal Brace	2

- A. Connect AS-00013 braces diagonally to AS-00012 and AS-00008 plates as shown.
- B. Secure the plates to the exterior of the braces with sixteen (16) 3/8" Flange Bolts and sixteen (16) 3/8" Lock Nuts. The bolts should be facing inward from the plate.

