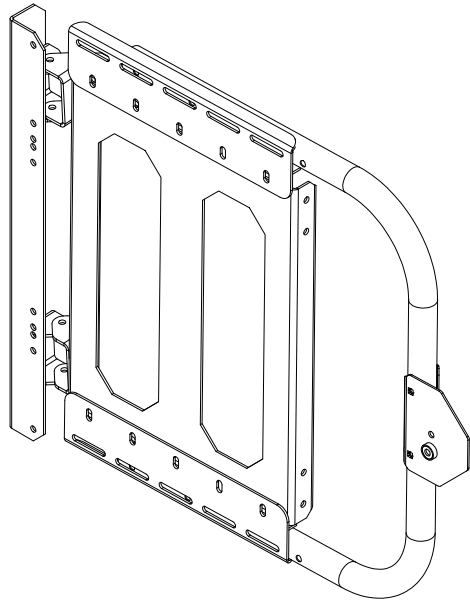
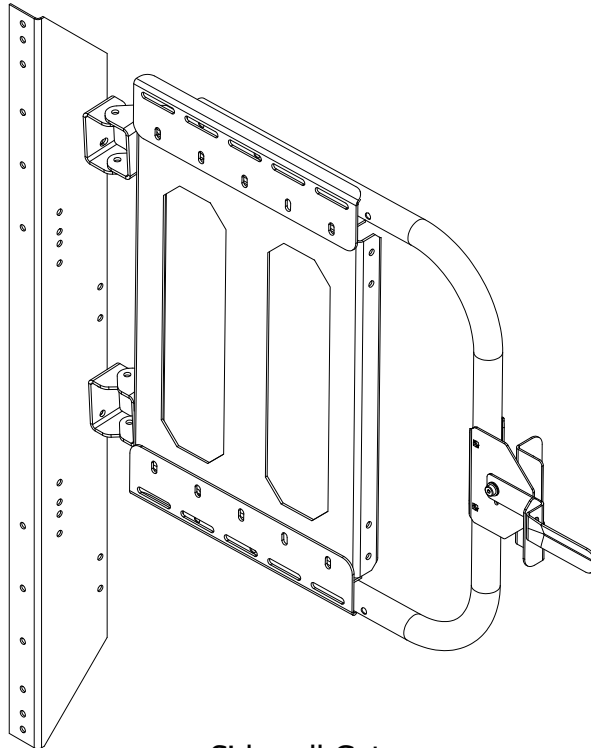


A-SERIES GATE PART NUMBERS

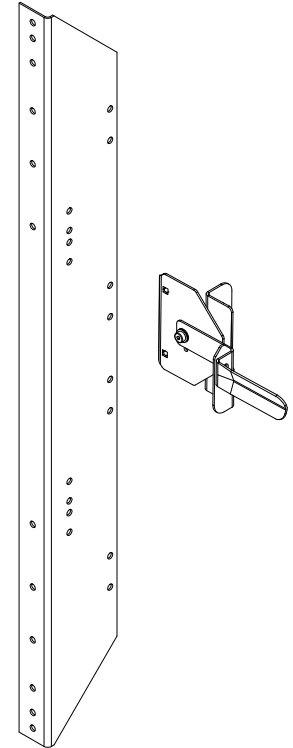
| PART NUMBER | DESCRIPTION |
|-------------|---|
| ASG100 | A-Series Self Closing Gate Galvanized |
| ASG150 | A-Series Sidewall Gate Galvanized |
| ASG200 | A-Series Self Closing Gate Yellow |
| ASG250 | A-Series Sidewall Gate Yellow |
| ASG050 | Gate Wall Mount and Latch Galvanized (converts self closing gate into sidewall gate) |



Self Closing Gate
ASG100 or ASG200



Sidewall Gate
ASG150 or ASG250

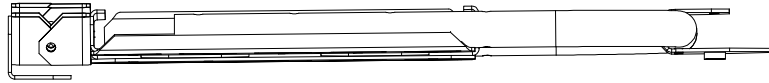
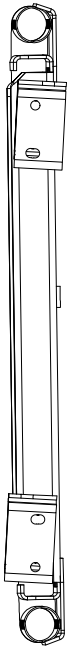


Wall Mount and Latch
ASG050

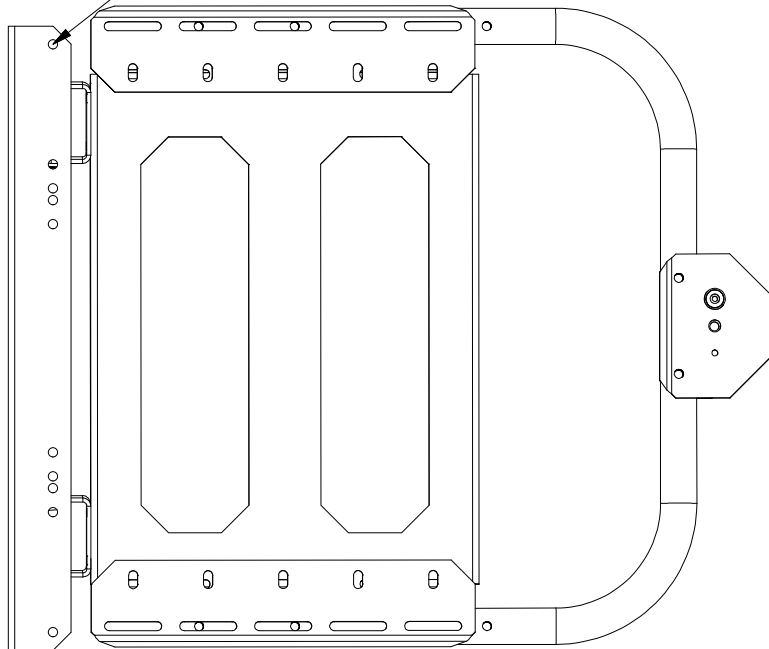


| | | | |
|---------------------|-----------|---------------------------------|--------------------------|
| DRAWN Mike Adams | 5/28/2015 | Greene Galvanized Stairs | |
| CHECKED | | TITLE | |
| QA | | ASG100 Series Gate Instructions | |
| MFG | | SIZE | DWG NO |
| APPROVED | | A | ASG100 Gate Instructions |
| | | SCALE | REV |
| | | | SHEET 1 OF 7 |

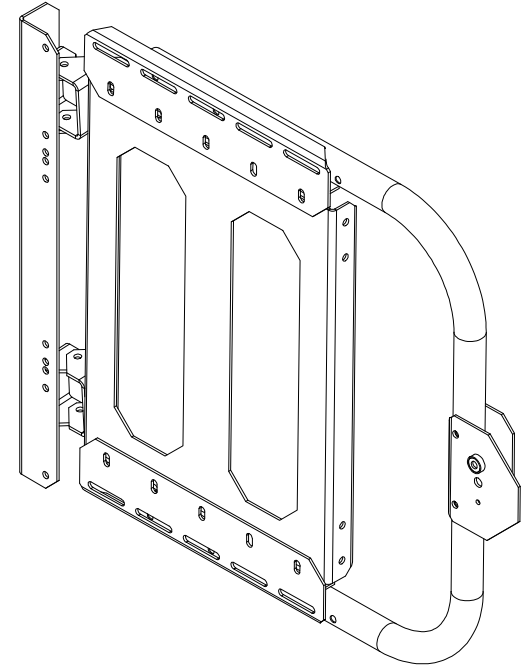
TOP
Hinge Left
Hinge Gate Mount Suppressed



Align with Handrail Mounts
On Greene A-Series



Off/Below Platform View



Hinge Left Facing Outside of Inswinging Gate

Reverse for Right Hinged Gate. Gate should swing upward as it swings in, then gate should return closed by gravity after released.

Hinge Axis should be aligned so that a single rod could pass through all hinge holes at the same time See Page 3

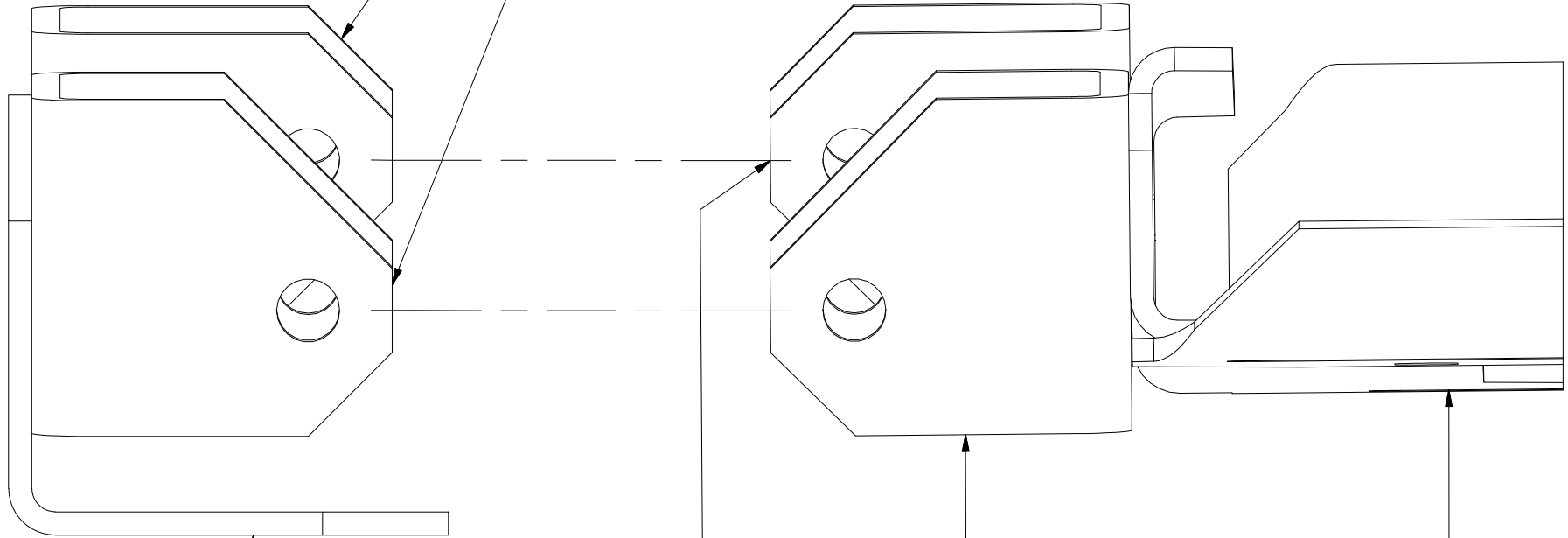


| | | | |
|---------------------|-----------|---------------------------------|--------------------------|
| DRAWN Mike Adams | 5/28/2015 | Greene Galvanized Stairs | |
| CHECKED | | TITLE | |
| QA | | ASG100 Series Gate Instructions | |
| MFG | | SIZE | DWG NO |
| APPROVED | | A | ASG100 Gate Instructions |
| | | SCALE | REV |
| | | | SHEET 2 OF 7 |

Overhead Left Hinged View

Bottom Hinge Pin opposite top hinge (pin facing in)

Top Hinge Pin Near Exit Side



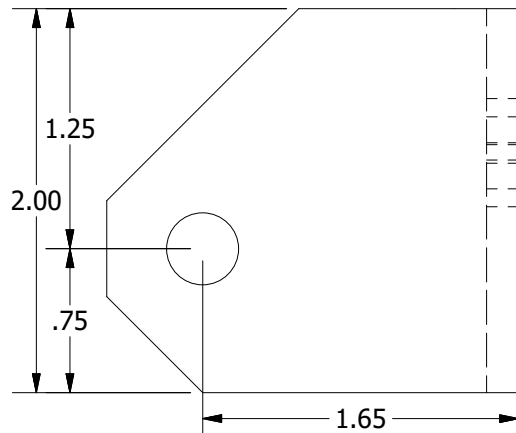
Surface Mounted to Post Facing Exit Side
Left Hinge Shown

Top Hinge Pin Near Exit Side

Exit Side Gate Face

Bottom Hinge Pin Near Platform Side

Hinge Axis View



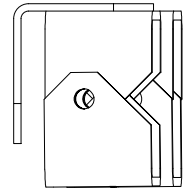
Important !

Once Gate is assembled, if hinges bind, loosen to allow hinge axis to unbind, as if there were one hinge pin through the top and bottom pairs hinges.



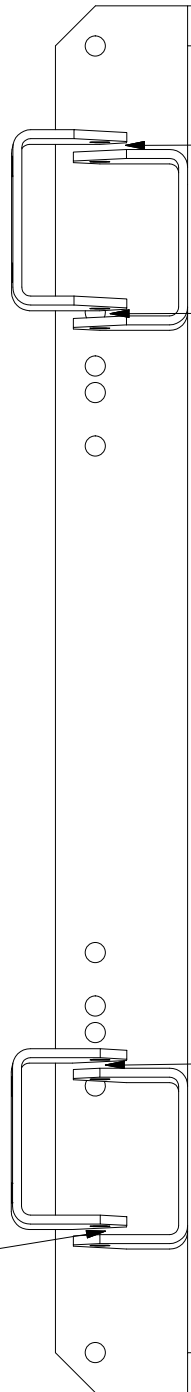
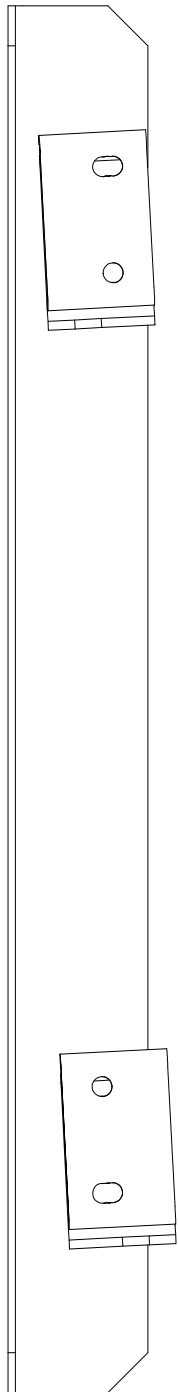
| | | | |
|---------------------|-----------|---------------------------------|------------------------------------|
| DRAWN Mike Adams | 5/28/2015 | Greene Galvanized Stairs | |
| CHECKED | | TITLE | |
| QA | | ASG100 Series Gate Instructions | |
| MFG | | SIZE A | DWG NO ASG100 Gate Instructions |
| APPROVED | | SCALE | REV |
| | | | SHEET 3 OF 7 |

B ↓ ↓ B



VIEW B-B
SCALE 1/3.6

Exit Side
Left Hinged



Two Washers

Two Washers

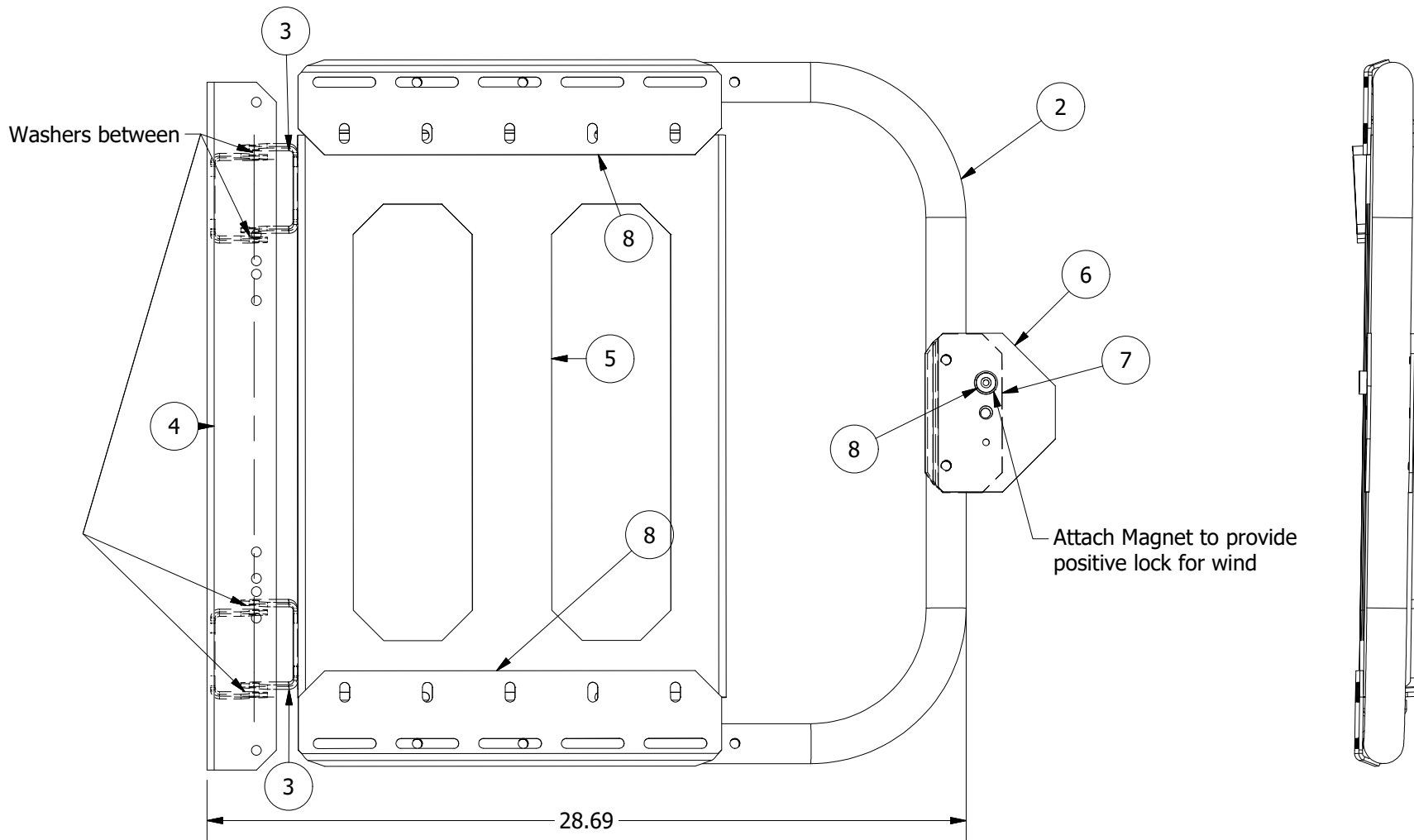
Right Side View
from inside Platform

Two Washers

Two Washers



| | | | |
|---------------------|-----------|---------------------------------|--------------------------|
| DRAWN Mike Adams | 5/28/2015 | Greene Galvanized Stairs | |
| CHECKED | | TITLE | |
| QA | | ASG100 Series Gate Instructions | |
| MFG | | SIZE | DWG NO |
| APPROVED | | A | ASG100 Gate Instructions |
| | | SCALE | REV |
| | | | SHEET 4 OF 7 |



PARTS LIST - ASG100 GATE

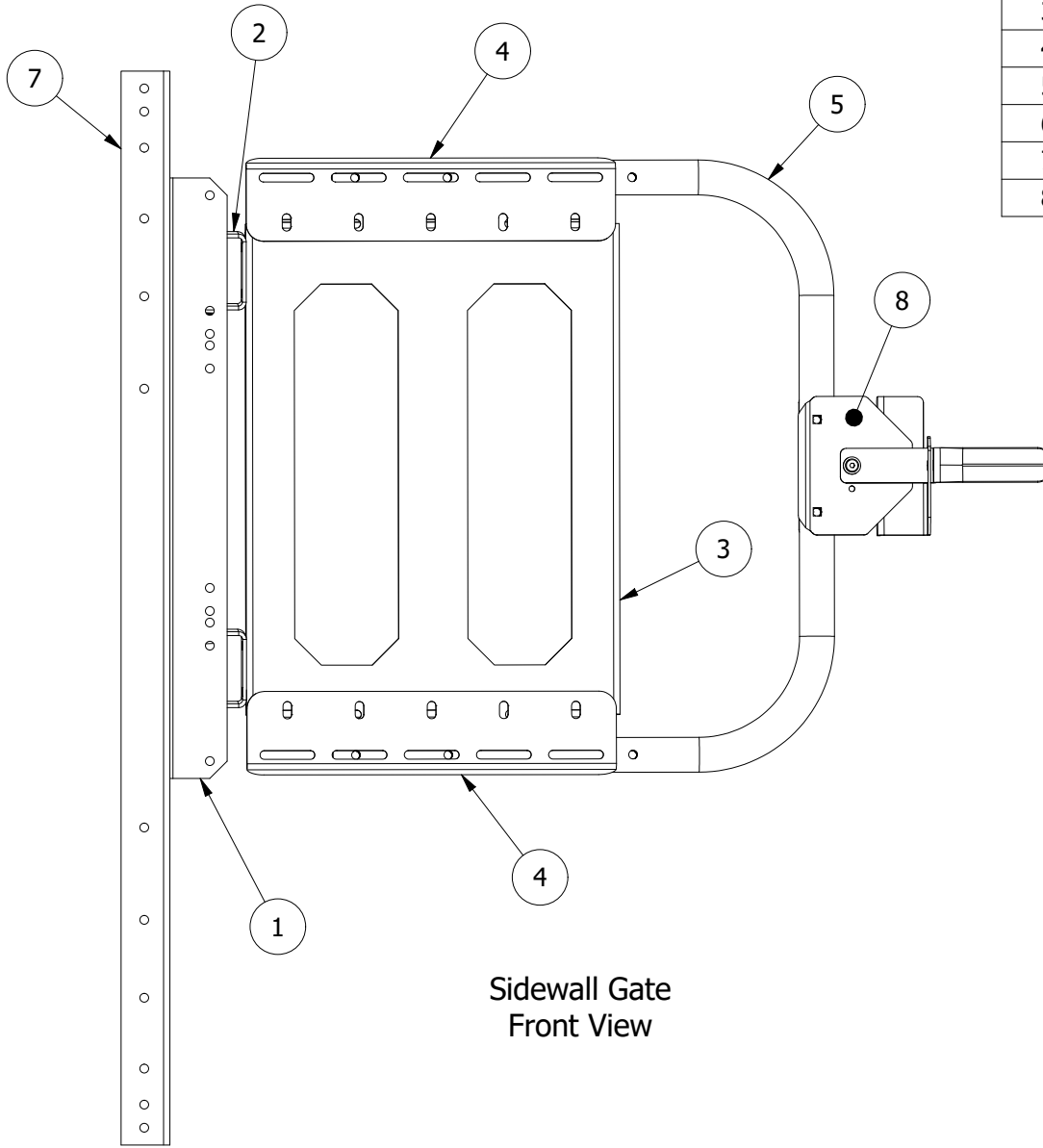
| ITEM | QTY | PART NUMBER | DESCRIPTION |
|------|-----|-------------|----------------------|
| 1 | 2 | ASG-104 | Pipe Mount Plate |
| 2 | 1 | ASG-105 | 1.5" Gate Pipe |
| 3 | 4 | ASG-102 | Offset Hinge |
| 4 | 1 | ASG-101 | Hinge Gate Mount |
| 5 | 1 | ASG-103 | Gate Base Plate |
| 6 | 1 | ASG-106 | Latch Mount |
| 7 | 1 | ASG-107 | Latch Support |
| 8 | 1 | HW-Magnet | Magnet and Fasteners |



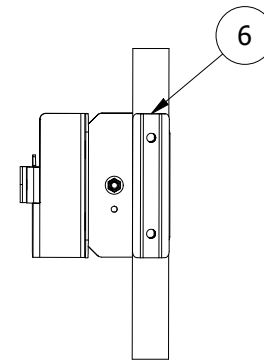
| | | | |
|---|-------------------------------------|-----------------------------------|--------------|
| DRAWN Mike Adams CHECKED QA MFG APPROVED | 5/28/2015 | TITLE Greene Galvanized Stairs | |
| | | ASG100 Series Gate Instructions | |
| SIZE A SCALE | DWG NO. ASG100 Gate Instructions | REV | SHEET 5 OF 7 |

PARTS LIST - ASG150 GATE

| ITEM | QTY | PART NUMBER | DESCRIPTION |
|------|-----|-------------|---------------------------|
| 1 | 1 | ASG-101 | Hinge Gate Mount |
| 2 | 4 | ASG-102 | Offset Hinge |
| 3 | 1 | ASG-103 | Gate Base Plate |
| 4 | 2 | ASG-104 | Pipe Mount Plate |
| 5 | 1 | ASG-105 | 1.5" Gate Pipe |
| 6 | 1 | ASG-107 | Latch Support |
| 7 | 1 | ASG-109 | Galvanized Gate Wall Base |
| 8 | 1 | HW-Latch | Gate Latch |



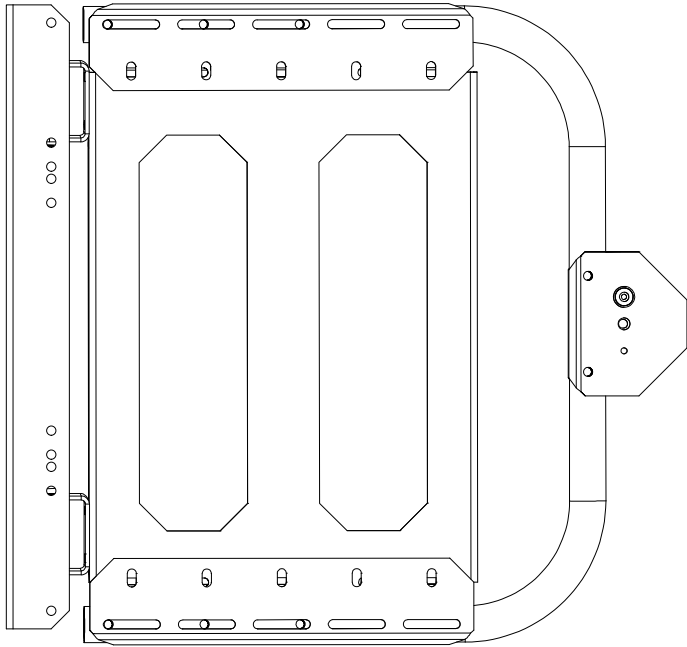
Sidewall Gate
Front View



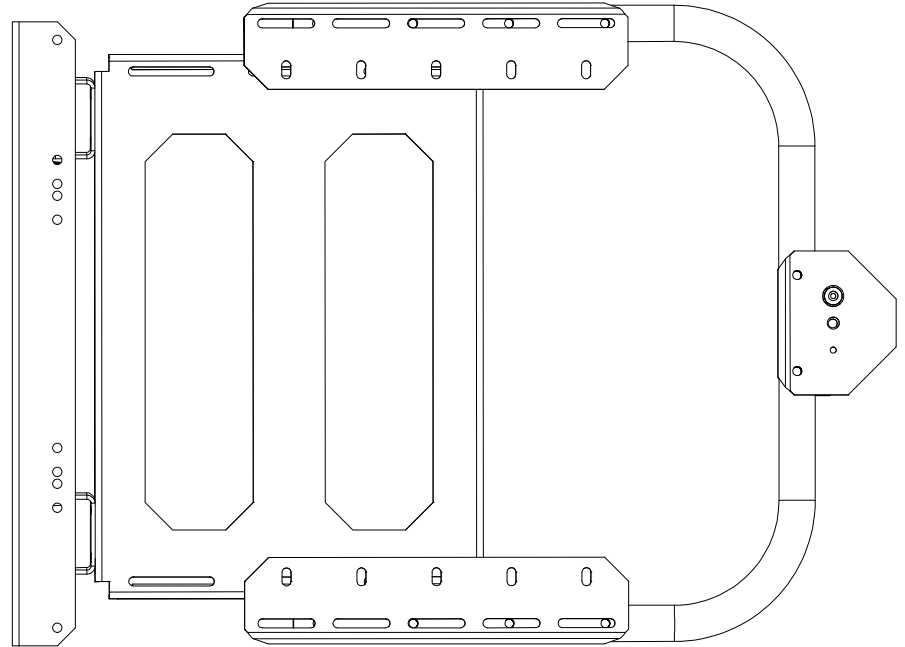
Back View of
Latch Support



| | | | |
|---------------------|-----------|-----------------------------------|------------------|
| DRAWN Mike Adams | 5/28/2015 | Greene Galvanized Stairs | |
| CHECKED | | TITLE | |
| QA | | ASG100 A-Series Gate Instructions | |
| MFG | | SIZE A | DWG NO ASG100 |
| APPROVED | | SCALE | REV |
| | | SHEET 6 OF 7 | |



Narrow Adjustment Position



Wide Adjustment Position



| | | | |
|---------------------|-----------|---------------------------------|--------------------------|
| DRAWN Mike Adams | 5/28/2015 | Greene Galvanized Stairs | |
| CHECKED | | TITLE | |
| QA | | ASG100 Series Gate Instructions | |
| MFG | | SIZE | DWG NO |
| APPROVED | | A | ASG100 Gate Instructions |
| | | SCALE | REV |
| | | | SHEET 7 OF 7 |