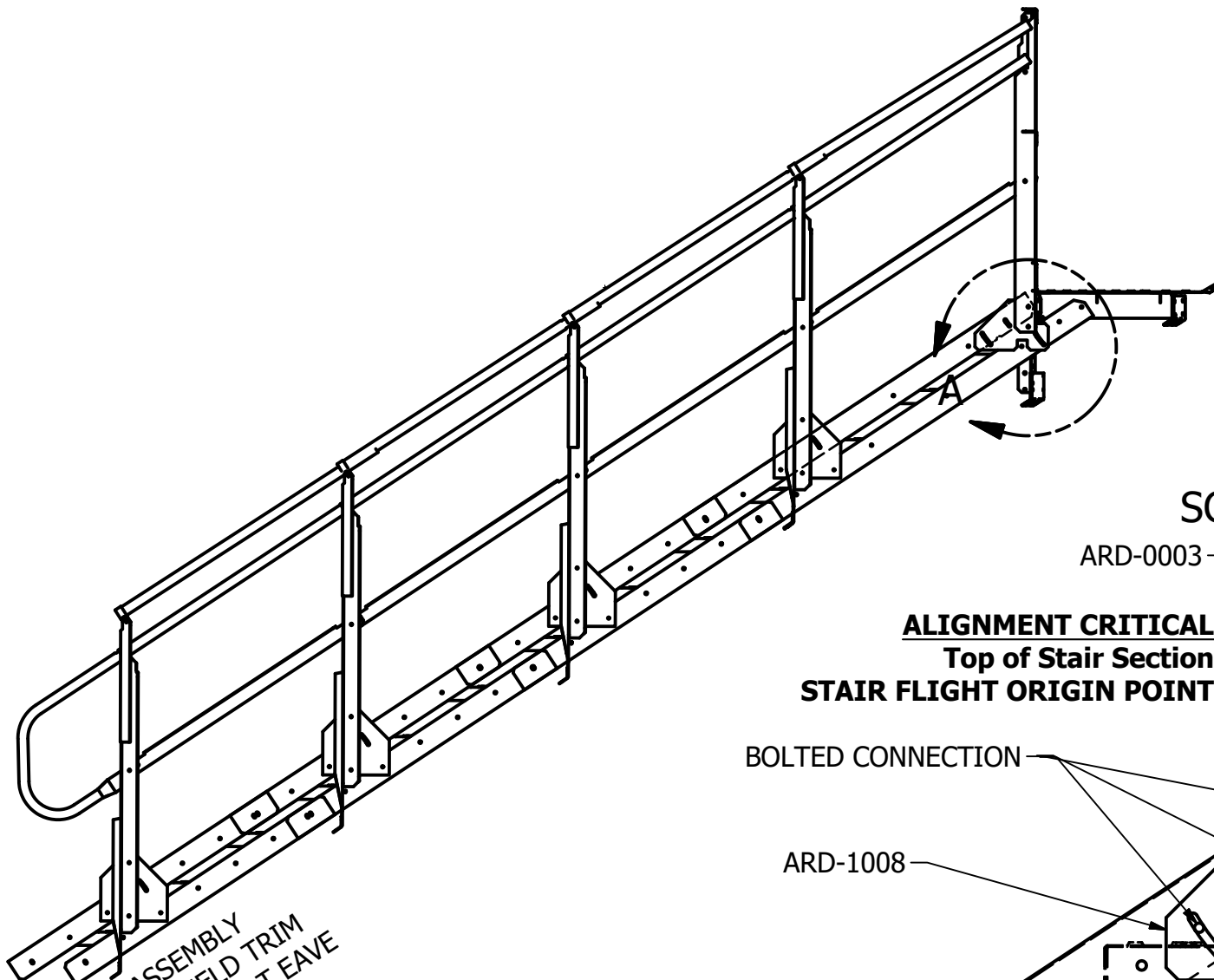


A-Series Roof Stair Instructions



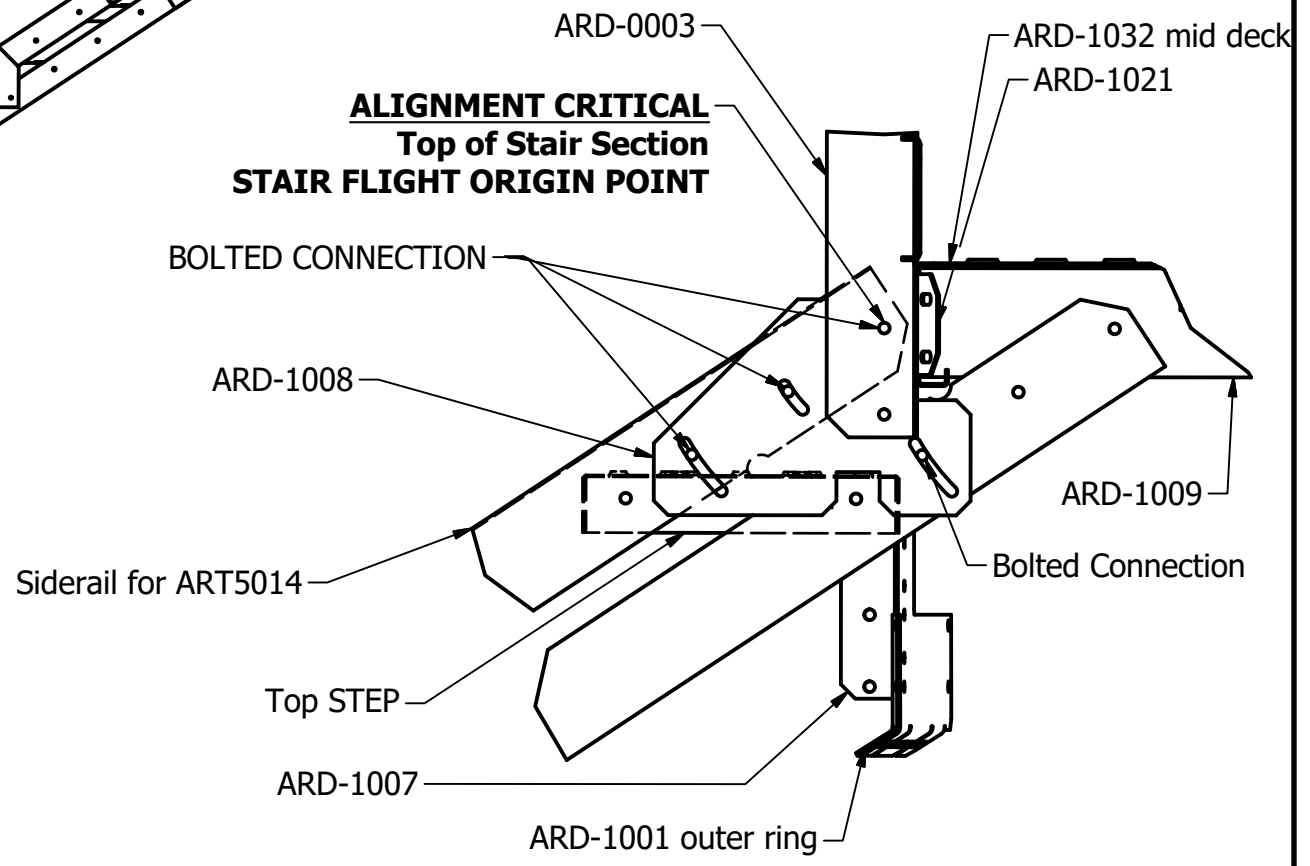
Roof Stairs to Roof Deck Interface.....	Page 2
Stair Run Configurations.....	Page 3
ART5014, A-Series 4 Step Roof Stair Top Section.....	Page 4
ART5003, A-Series 3 Step Mid Stair Section.....	Page 13
ART5004, A-Series 4 Step Mid Stair Section.....	Page 22
ART5005, A-Series 5 Step Mid Stair Section.....	Page 31
ART5010, A-Series Roof Stair Top Post Package.....	Page 40
ART5001, Peak Top Step Kit.....	Page 41

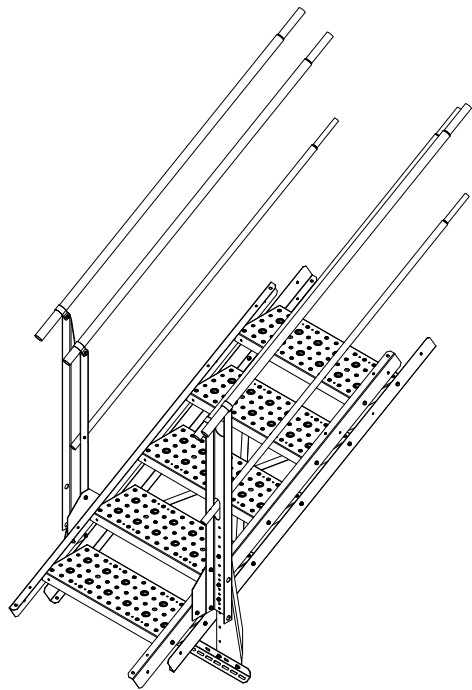


TOP DOWN ASSEMBLY
 MAY NEED TO FIELD TRIM
 BOTTOM OF STAIR AT EAVE
 PLATFORM
 PLEASE ALLOW 1/2 TO 1
 FULL STEP BEYOND EAVE

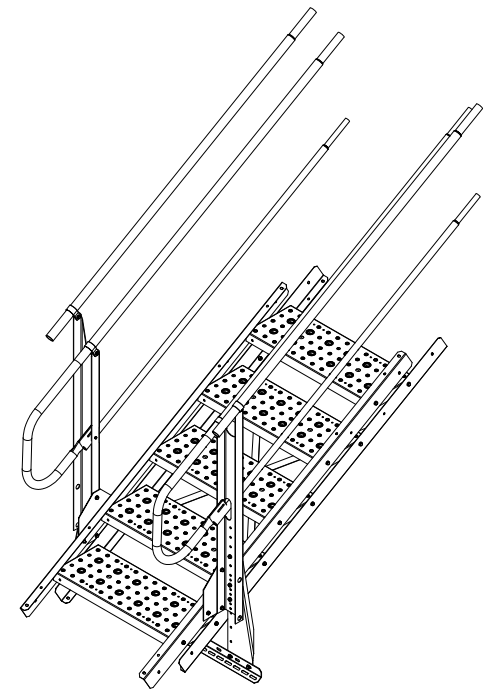
DETAIL A
SCALE 0.15 : 1

ALIGNMENT CRITICAL
Top of Stair Section
STAIR FLIGHT ORIGIN POINT





Intermediate Run

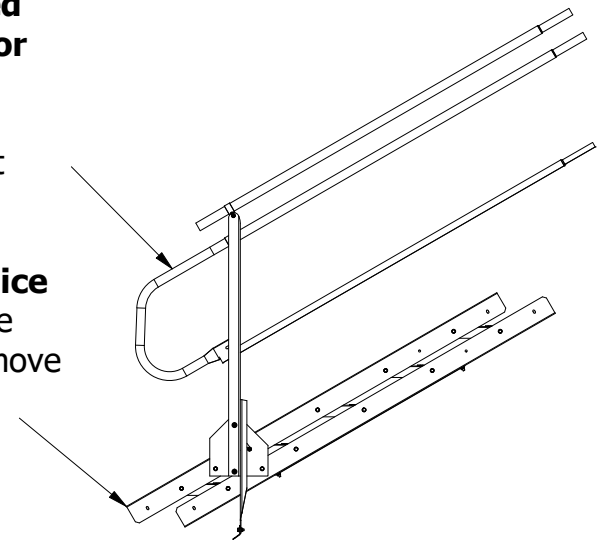
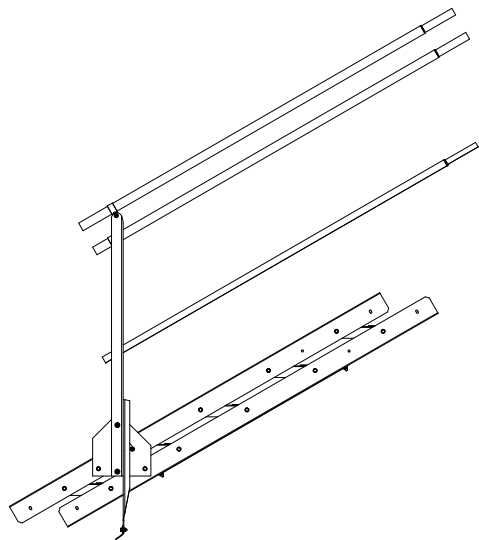


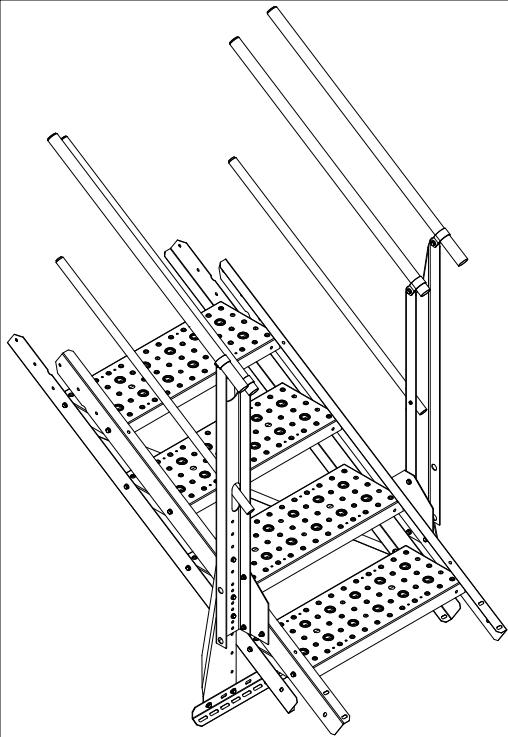
Bottom of Run

Bottom end rails are **included with entry post, landing, or top step kits.**

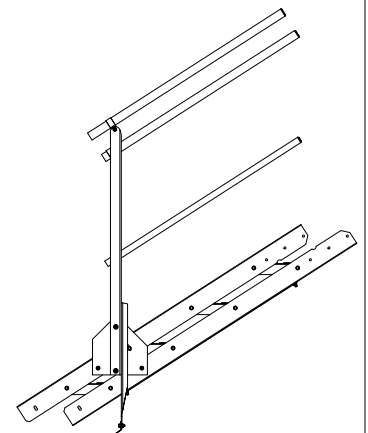
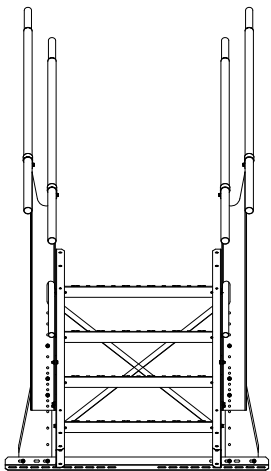
Field Drill 1/4" weep hole at lowest point in tube loop.

For "Bottom of Run", **cut splice length off of siderails** to be flush with bottom step to remove projection





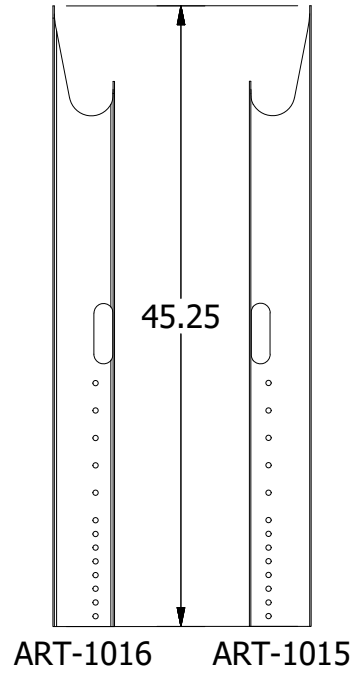
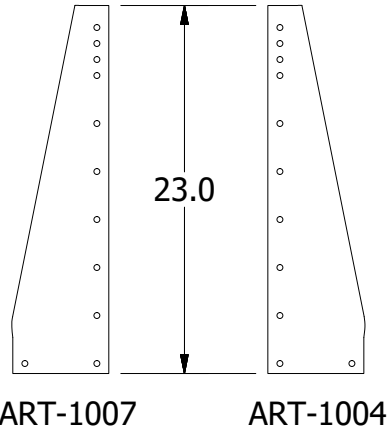
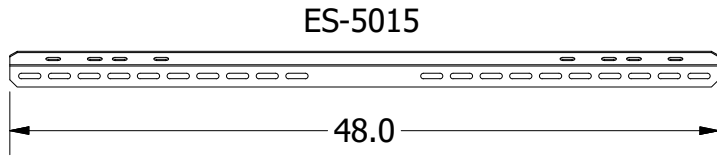
ART5014 Assembly Instructions Greene Galvanized Stairs



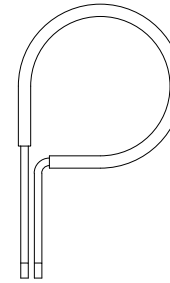
Parts List

PARTS LIST		
PART NUMBER	DESCRIPTION	QTY
5/16-18x3/4FB	5/16"-18 x 3/4" Flange Bolt	42
5/16-18SFN	5/16"-18 Whiz Lock Nut	42
ES-5015	Easy Step Roof Stair Mount	1
ART-1015	Post, Stair Rail, Guard Rail Left	1
ART-1016	Post, Stair Rail, Guard Rail Right	1
ART-1007	Roof Stair Post Brace Left	1
ART-1004	Roof Stair Post Brace Right	1
ART-1011	Roof Stair Leveling Plate	2
ART-5043	4-Step Siderail End	2
ART-5044	4-Step Siderail End	2
AS-00030	30" x 11" Step Tread	4
ART-1001	Stair Stringer X-Brace	2
Floor Screw	Self-Tapping Screw	6
HRC1500	1.5" Handrail P-Clamp	4
TR1504200	1.5" Handrail, 42" Long, No Swage	4
TR1004200	1" Handrail, 42" Long, No Swage	2

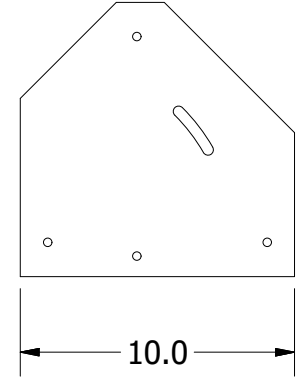
Parts List



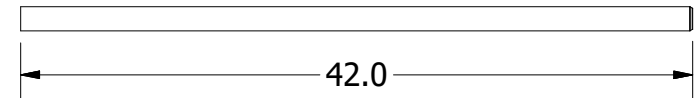
HRC1500



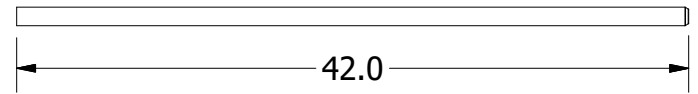
ART-1011



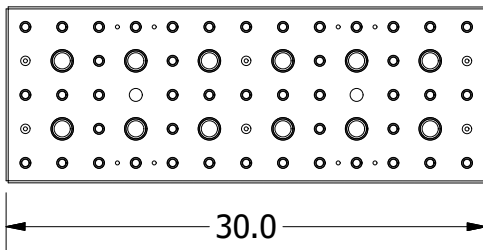
TR1504200



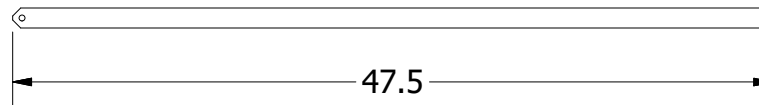
TR1004200



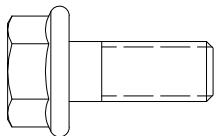
AS00030



ART-1001

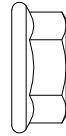


5/16-18x3/4FB



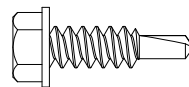
1:1

5/16-18SFN



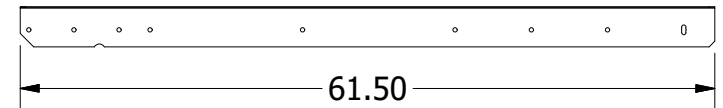
1:1

Floor Screw

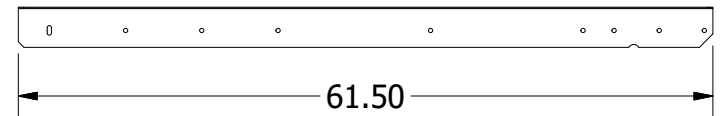


1:1

ART-5043



ART-5044



Step 1

- Place the ART-1007 and ART-1004 braces against the ES-5015 Roof Mount as shown in Figure 1. The braces' flanges will face up the roof run when installed.
- Secure the braces to the roof mount using four (4) 5/16" Flange Bolts and four (4) 5/16" Lock Nuts. See Detail A for bolt hole locations on the ES-5015 brace.
- Place the ART-1015 and ART-1016 posts against the ART-1007 braces. The bolt spacing shown in Figure 2 are in the lowest position; adjust the height to fit the roof.
- Secure each in place with three (3) 5/16" Flange Bolts and three (3) 5/16" Lock Nuts.

DETAIL A

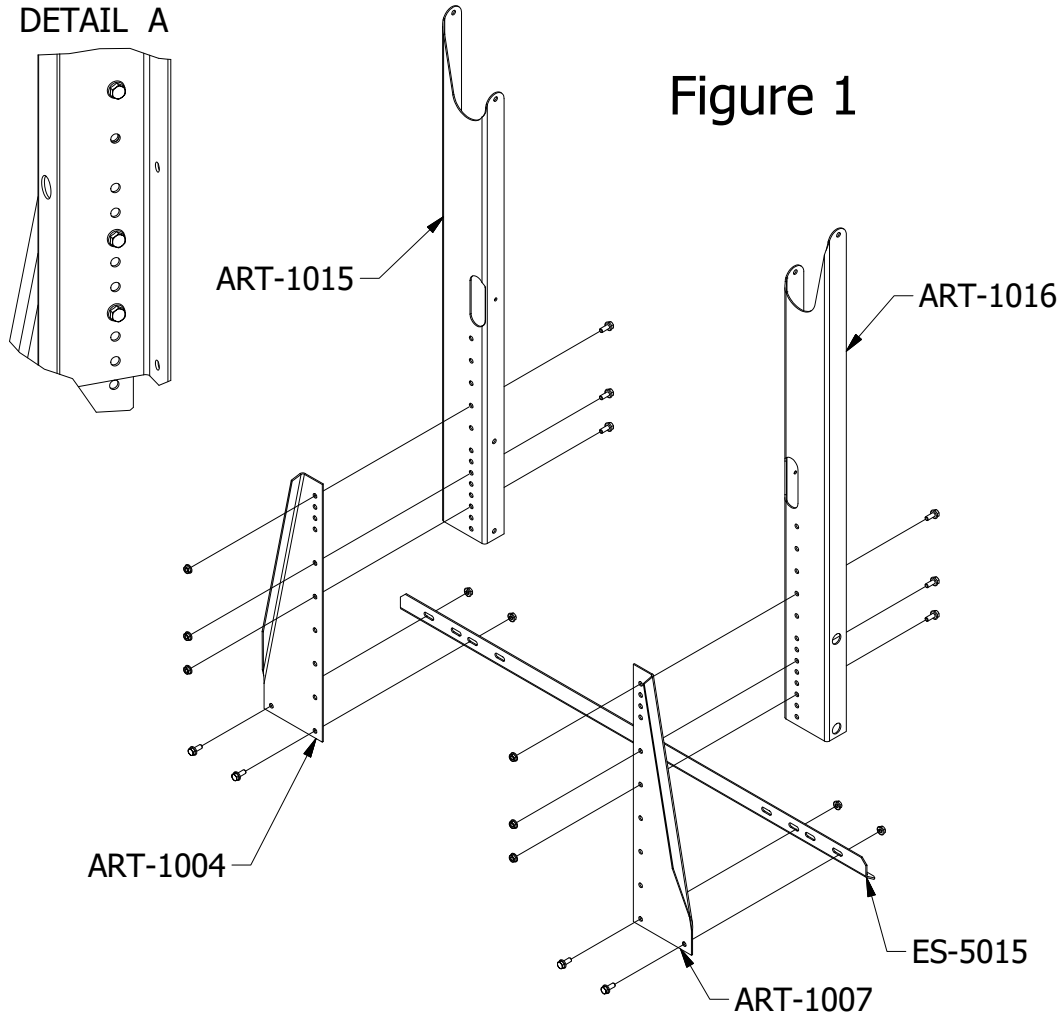
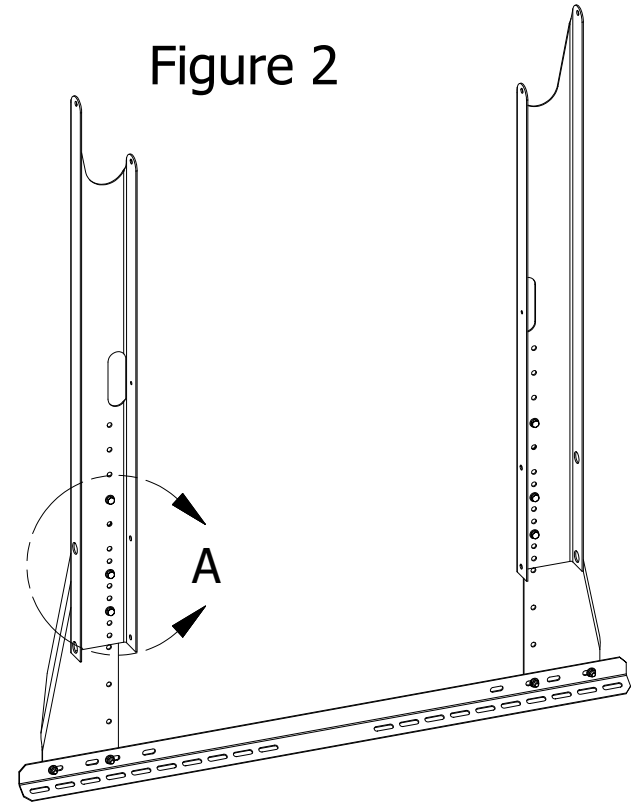


Figure 1

Figure 2



PARTS USED IN STEP 1		
PART NUMBER	DESCRIPTION	QTY
ES-5015	Easy Step Roof Stair Mount	1
ART-1007	Roof Stair Post Brace Left	1
ART-1004	Roof Stair Post Brace Right	1
ART-1015	Right Stair Post	1
ART-1016	Left Stair Post	1
5/16-18x3/4FB	5/16"-18 x 3/4" Flange Bolt	10
5/16-18SFN	5/16"-18 Whiz Lock Nut	10

DRAWN Marcus Wilmsmeyer	1/17/2019	Greene Galvanized Stairs East Lynn, IL 217.375.4244 www.greenebinstairs.com	
CHECKED		TITLE A-Series Roof Stairs - 4-Step Assembly Instructions	
QA		SIZE A	DWG NO IN-ART5014
MFG		SCALE 1/14	REV
APPROVED		SHEET 4 OF 9	

Step 2

- A. Take two (2) ART-1011 Levelling Brackets and attach them to the ART-1015 and ART-1016 posts as shown in Figure 3 and Figure 4.
- B. Secure the brackets in place using four (4) 5/16" Flange Bolts and four (4) 5/16" Lock Nuts.

PARTS USED IN STEP 2		
PART NUMBER	DESCRIPTION	QTY
5/16-18x3/4FB	5/16"-18 x 3/4" Flange Bolt	4
5/16-18SFN	5/16"-18 Whiz Lock Nut	4
ART-1011	Roof Stair Leveling Plate	2

Figure 3

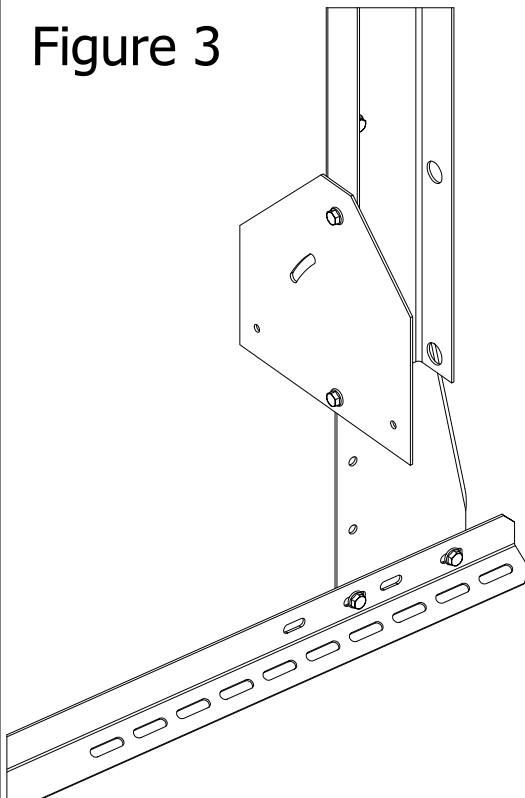
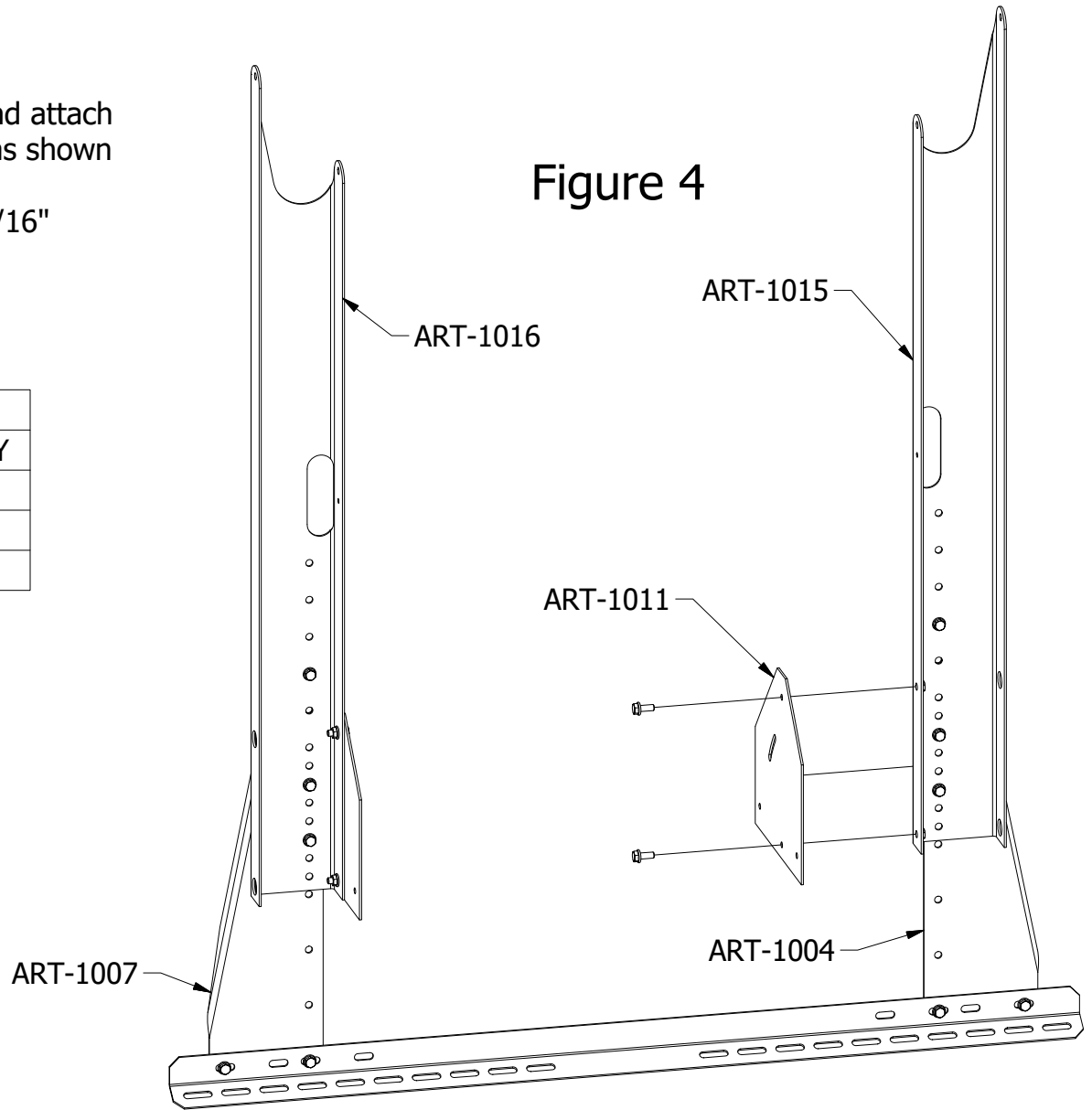


Figure 4

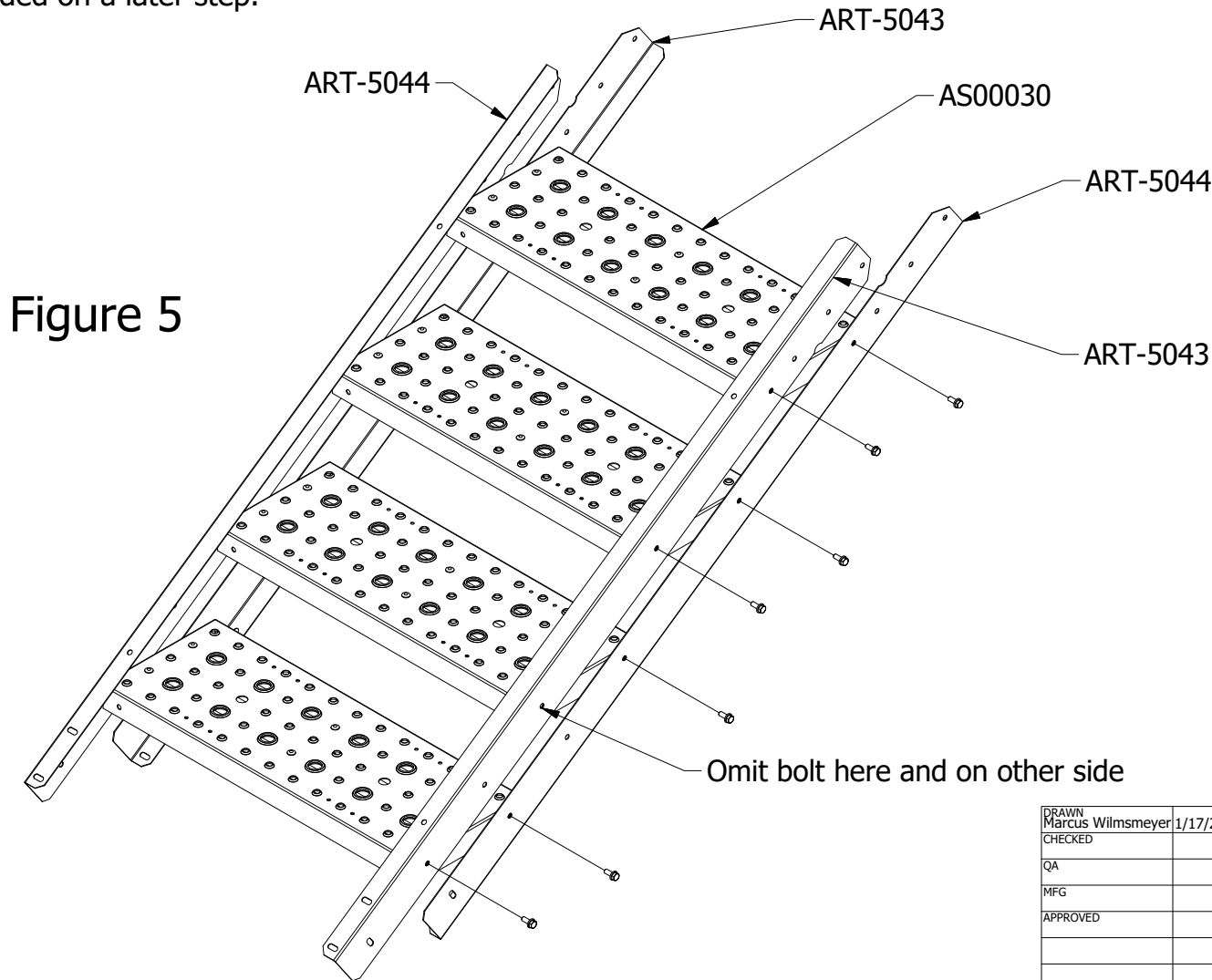


DRAWN Marcus Wilmsmeyer	1/17/2019	Greene Galvanized Stairs East Lynn, IL 217.375.4244 www.greenebinstairs.com	
CHECKED		TITLE A-Series Roof Stairs - 4-Step Assembly Instructions	
QA		SIZE A	DWG NO IN-ART5014
MFG		SCALE 1/9	REV
APPROVED		SHEET 5 OF 9	

Step 3

- A. Place four (4) AS00030 Step Treads in line with two (2) ART-5043 Siderails and two (2) ART-5044 Siderails as shown in Figure 5. Unlike other roof stair assemblies (5003-5005), orientation of the rails matters on the ART5014.
- B. Using fourteen (14) 5/16" Flange Bolts and fourteen (14) 5/16" Lock Nuts, secure the step treads to the siderails. On the second-lowest stair, omit two of the bolts and nuts; they will be added on a later step.

PARTS USED IN STEP 3		
PART NUMBER	DESCRIPTION	QTY
ART-5043	4-Step End Side Rail	2
ART-5044	4-Step End Side Rail	2
AS00030	30" x 11" Stair Tread	4
5/16-18x3/4FB	5/16"-18 x 3/4" Flange Bolt	14
5/16-18SFN	5/16"-18 Whiz Lock Nut	14

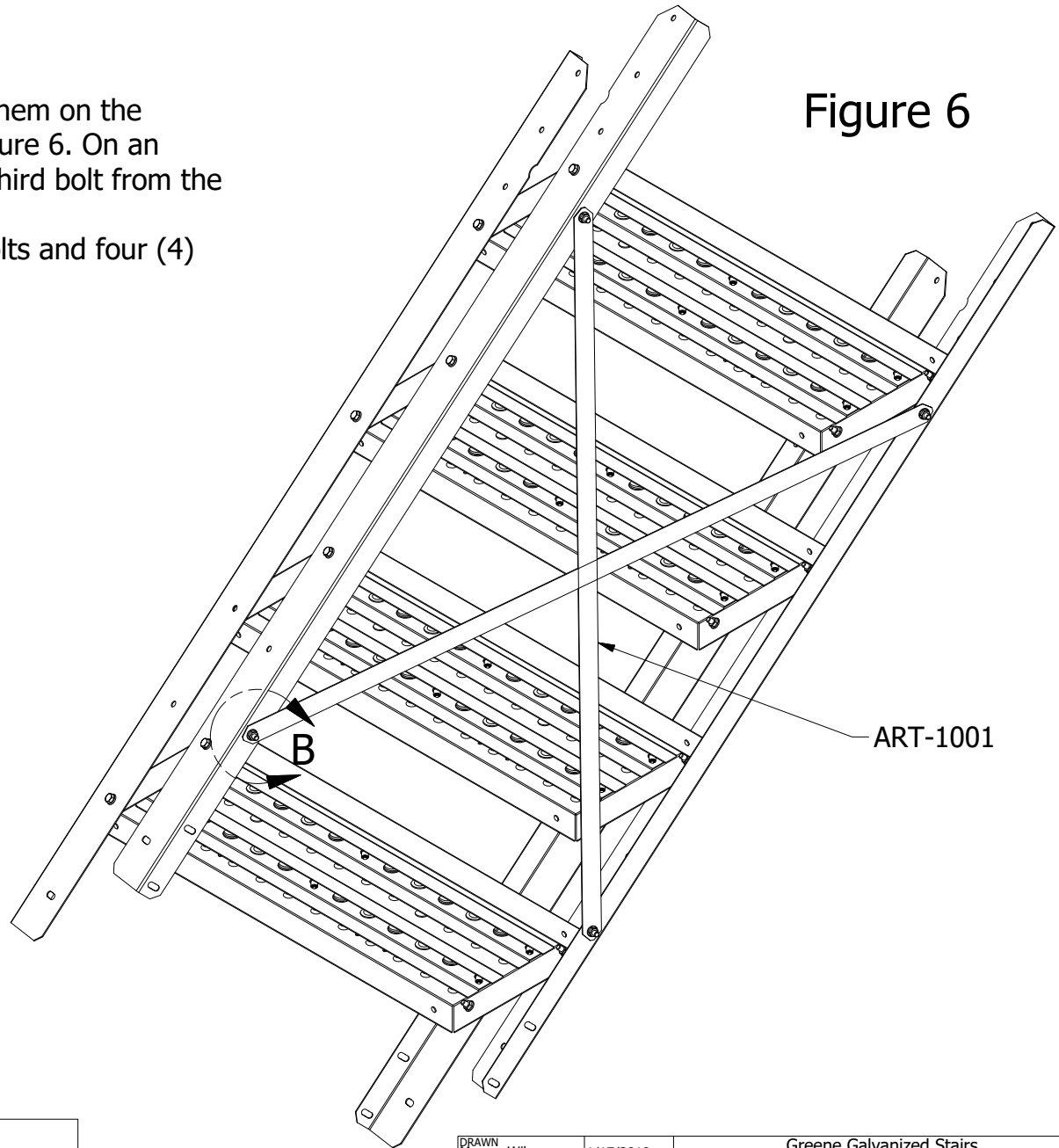


DRAWN Marcus Wilmsmeyer	1/17/2019	Greene Galvanized Stairs East Lynn, IL 217.375.4244 www.greenebinstairs.com	
CHECKED		TITLE A-Series Roof Stairs - 4-Step Assembly Instructions	
QA		SIZE A	DWG NO IN-ART5014
MFG		SCALE 1/12	REV
APPROVED		SHEET 6 OF 9	

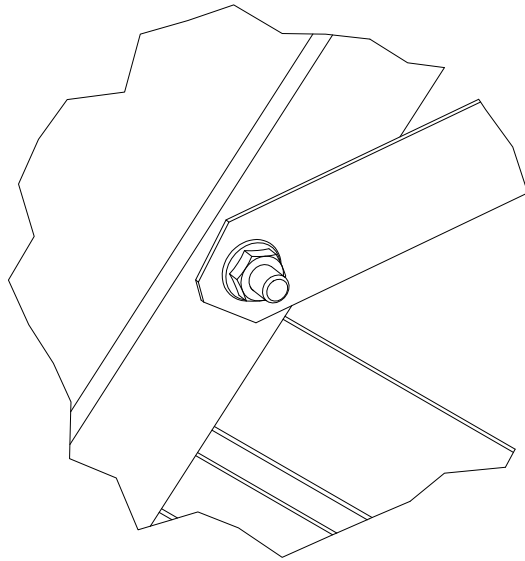
Step 4

- A. Take the two (2) Cross Braces and position them on the bottom of the stair assembly as shown in Figure 6. On an ART5014, these braces will line up with the third bolt from the bottom end on the siderails.
- B. Secure in place with four (4) 5/16" Flange Bolts and four (4) 5/16" Lock Nuts.

Figure 6



DETAIL B



PARTS USED IN STEP 4		
PART NUMBER	DESCRIPTION	QTY
5/16-18x3/4FB	5/16"-18 x 3/4" Flange Bolt	4
5/16-18SFN	5/16"-18 Whiz Lock Nut	4
ART-1001	Roof Stair Cross Brace	2

DRAWN Marcus Wilmsmeyer	1/17/2019	Greene Galvanized Stairs East Lynn, IL 217.375.4244 www.greenebinstairs.com	
CHECKED		TITLE A-Series Roof Stairs - 4-Step Assembly Instructions	
QA		SIZE A	DWG NO IN-ART5014
MFG		SCALE 1/10	REV
APPROVED		SHEET 7 OF 9	

Step 5

- A. Using six (6) 5/16" Flange Bolts and six (6) 5/16" Lock Nuts, bolt the siderails to the leveling bracket. Review Figures 7 and 8 for the bolt layout.
- B. Tighten the bolts on the leveling plates after the final placement on the roof.

PARTS USED IN STEP 5		
PART NUMBER	DESCRIPTION	QTY
5/16-18x3/4FB	5/16"-18 x 3/4" Flange Bolt	6
5/16-18SFN	5/16"-18 Whiz Lock Nut	6

Figure 7

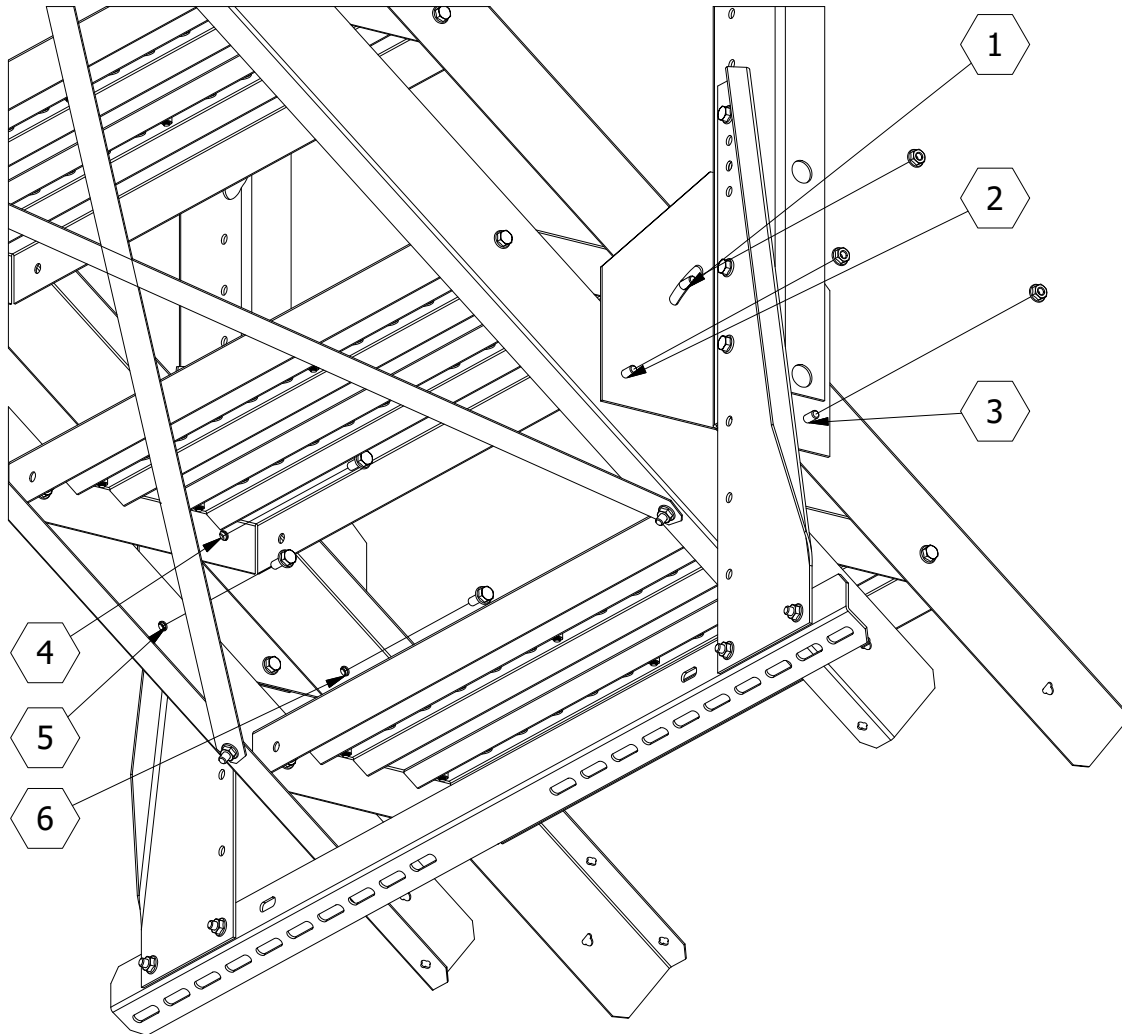
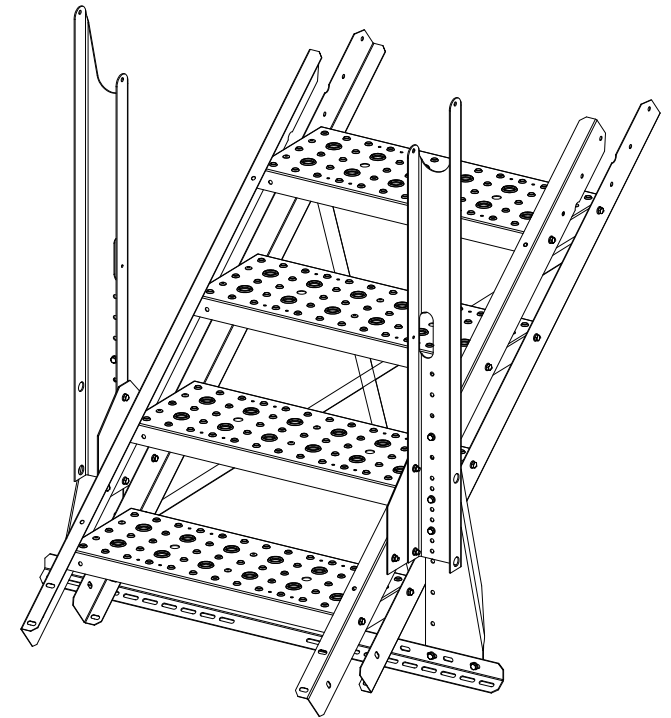


Figure 8

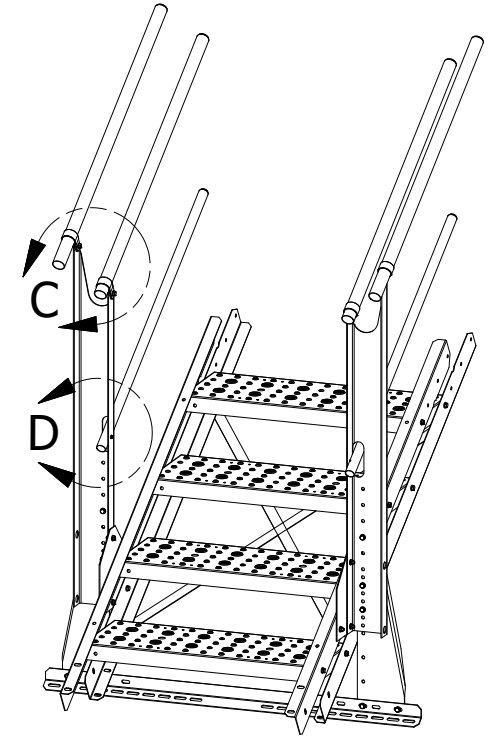


DRAWN Marcus Wilmsmeyer	1/17/2019	Greene Galvanized Stairs East Lynn, IL 217.375.4244 www.greenebinstairs.com	
CHECKED		TITLE A-Series Roof Stairs - 4-Step Assembly Instructions	
QA		SIZE A	DWG NO IN-ART5014
MFG		SCALE 1/7	REV
APPROVED		SHEET 8 OF 9	

Step 6

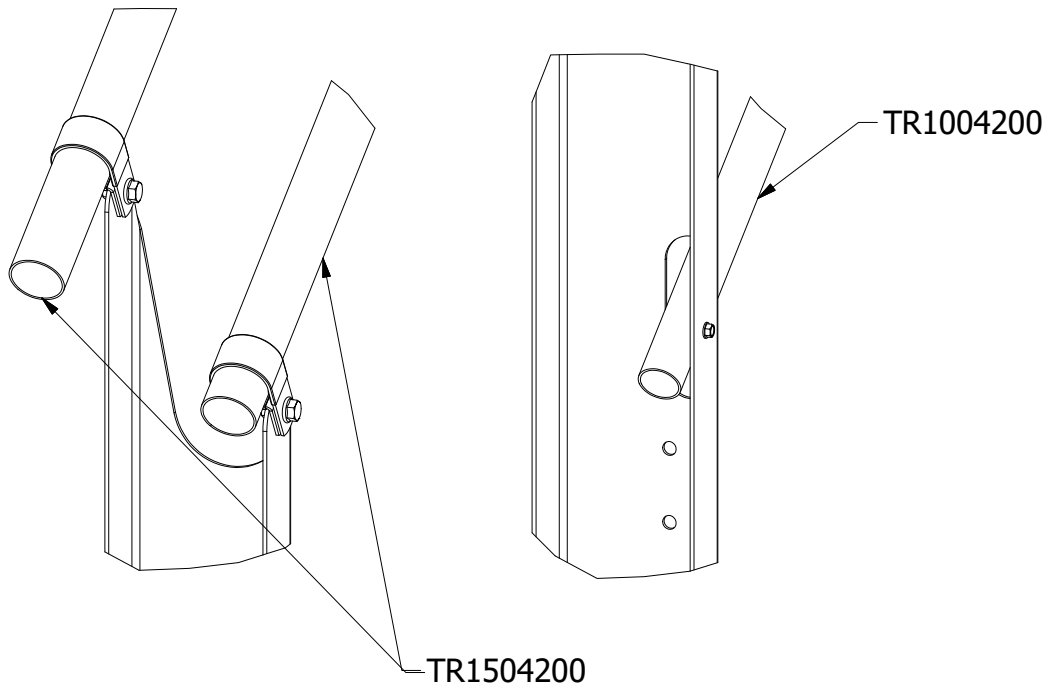
- A. Taking the four (4) TR1504200 Swaged Pipes (1.5" dia.), position the pipes as shown in Figure 9, Detail C. Secure the pipes to the posts using four (4) HRC1500 P-Clamps, four (4) 5/16" Flange Bolts, and four (4) 5/16" Lock Nuts.
- B. After the four TR1504200 have been position to the desired location, use four (4) Self-Tapping Screws and secure the 1.5" pipe to the P-Clamp. The screws should be drilled through the bottom of the P-clamp, to minimize interference with hands.
- C. Take the two (2) TR1004200 Swaged Pipes (1" dia.), and position them as shown in Figure 9, Detail D. Secure them to the posts by using two (2) Self-Tapping Screws. There is a hole on the post to aid in starting the Self-Tapping Screw.

Figure 9



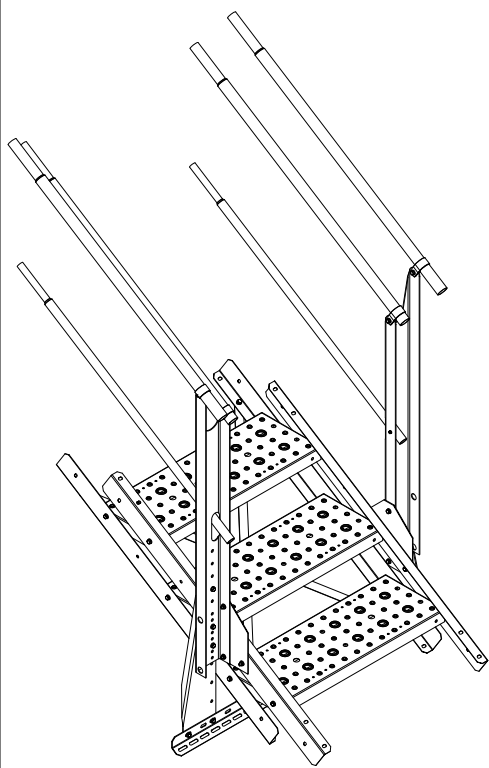
DETAIL C

DETAIL D

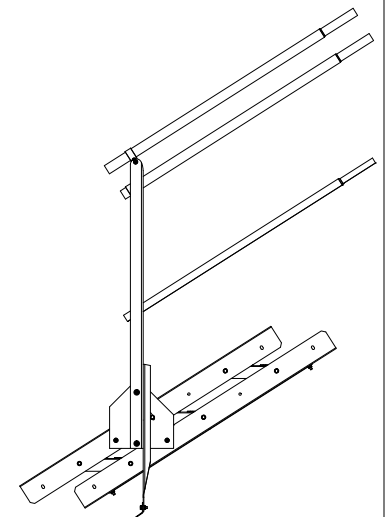
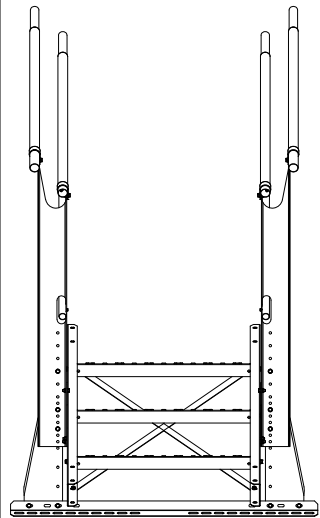


PARTS USED IN STEP 6		
PART NUMBER	DESCRIPTION	QTY
5/16-18x3/4FB	5/16"-18 x 3/4" Flange Bolt	4
5/16-18SFN	5/16"-18 Whiz Lock Nut	4
Floor Screws	Self-Tapping Screw	6
HRC1500	1.5" Handrail P-Clamp	4
TR1504200	1.5" 42" Handrail, No Swage	4
TR1004200	1" 42" Handrail, No Swage	2

DRAWN Marcus Wilmsmeyer	1/17/2019	Greene Galvanized Stairs East Lynn, IL 217.375.4244 www.greenebinstairs.com	
CHECKED		TITLE A-Series Roof Stairs - 4-Step Assembly Instructions	
QA		SIZE A	DWG NO IN-ART5014
MFG		SCALE 1/23	REV
APPROVED		SHEET 9	OF 9



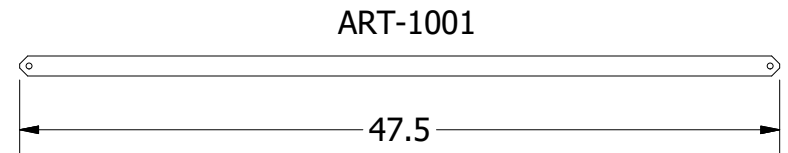
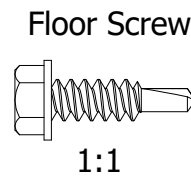
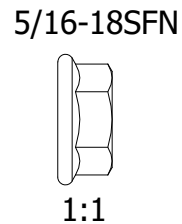
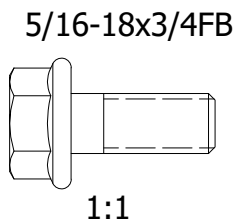
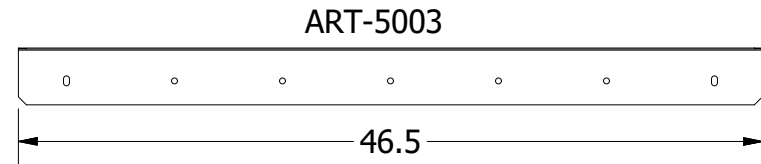
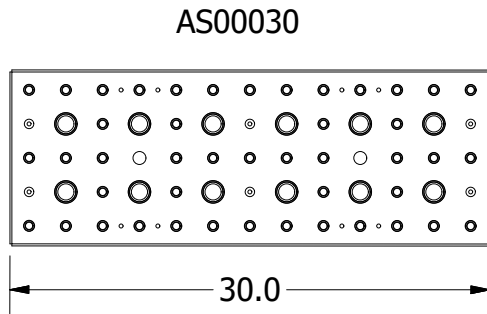
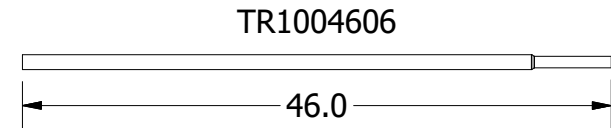
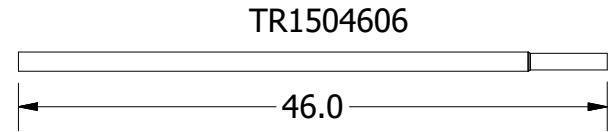
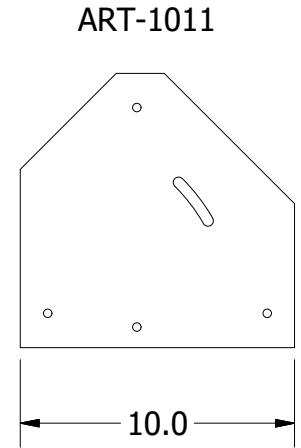
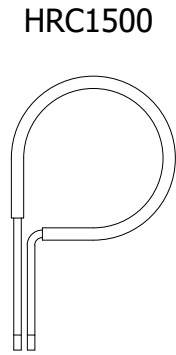
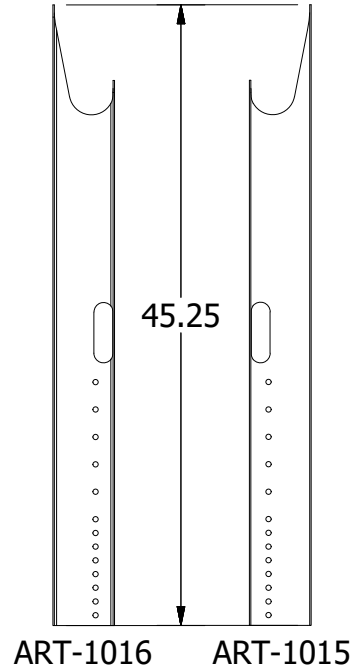
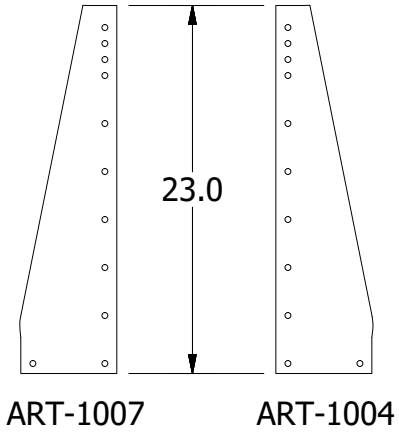
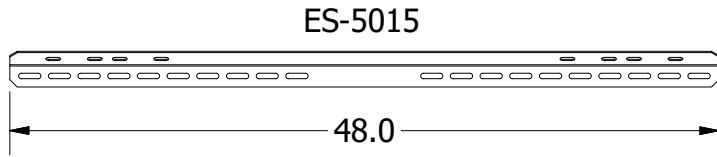
ART5003 Assembly Instructions Greene Galvanized Stairs



Parts List

PARTS LIST		
PART NUMBER	DESCRIPTION	QTY
5/16-18x3/4FB	5/16"-18 x 3/4" Flange Bolt	38
5/16-18SFN	5/16"-18 Whiz Lock Nut	38
ES-5015	Easy Step Roof Stair Mount	1
ART-1015	Right Stair Post w/Guardrail	1
ART-1016	Left Stair Post w/Guardrail	1
ART-1004	Roof Stair Post Brace Right	1
ART-1007	Roof Stair Post Brace Left	1
ART-1011	Roof Stair Leveling Plate	2
ART-5003	3-Step Side Rail	4
AS-00030	30" x 11" Stair Step Tread	3
ART-1001	Stair Stringer X-Brace	2
TR1504606	46" 1.5" Swaged Tubing 6" Swage	4
TR1004606	46" 1" Swaged Tubing 6" Swage	2
HRC1500	1.5" P-Clamp for Handrail	4
Floor Screw	Self-Tapping Screw	6

Parts List



Step 1

- Place the ART-1007 and ART-1004 braces against the ES-5015 Roof Mount as shown in Figure 1. The braces' flanges will face up the roof run when installed.
- Secure the braces to the roof mount using four (4) 5/16" Flange Bolts and four (4) 5/16" Lock Nuts. See Detail A for bolt hole locations on the ES-5015 brace.
- Place the ART-1015 and ART-1016 posts against the ART-1007 braces. The bolt spacing shown in Figure 2 are in the lowest position; adjust the height to fit the roof.
- Secure each in place with three (3) 5/16" Flange Bolts and three (3) 5/16" Lock Nuts.

DETAIL A

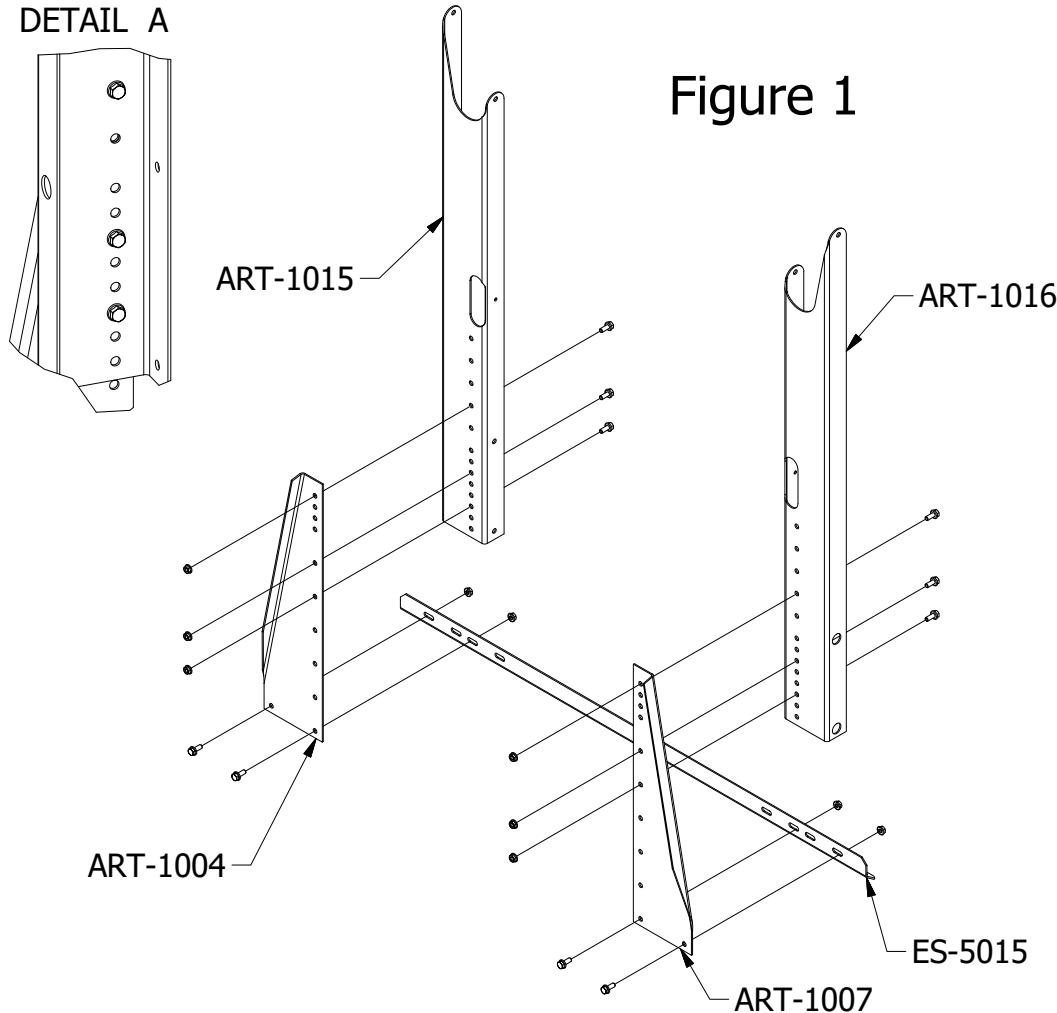
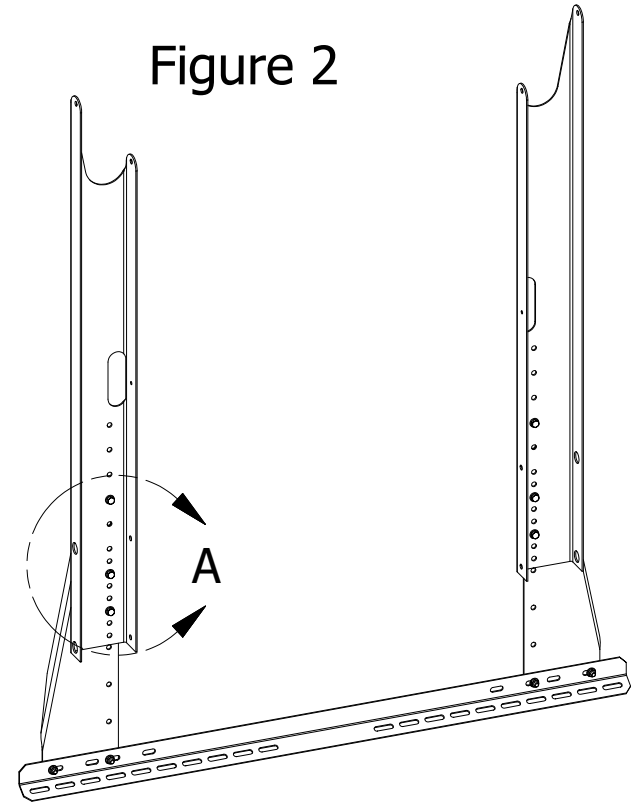


Figure 1

Figure 2



PARTS USED IN STEP 1

PART NUMBER	DESCRIPTION	QTY
ES-5015	Easy Step Roof Stair Mount	1
ART-1007	Roof Stair Post Brace Left	1
ART-1004	Roof Stair Post Brace Right	1
ART-1015	Right Stair Post	1
ART-1016	Left Stair Post	1
5/16-18x3/4FB	5/16"-18 x 3/4" Flange Bolt	10
5/16-18SFN	5/16"-18 Whiz Lock Nut	10

DRAWN Marcus Wilmsmeyer	1/17/2019	Greene Galvanized Stairs East Lynn, IL 217.375.4244 www.greenebinstairs.com	
CHECKED		TITLE A-Series Roof Stairs - 3-Step Assembly Instructions	
QA		SIZE A	DWG NO IN-ART5003
MFG		SCALE 1/14	REV
APPROVED		SHEET 4	OF 9

Step 2

- A. Take two (2) ART-1011 Levelling Brackets and attach them to the ART-1015 and ART-1016 posts as shown in Figure 3 and Figure 4.
- B. Secure the brackets in place using four (4) 5/16" Flange Bolts and four (4) 5/16" Lock Nuts.

PARTS USED IN STEP 2		
PART NUMBER	DESCRIPTION	QTY
5/16-18x3/4FB	5/16"-18 x 3/4" Flange Bolt	4
5/16-18SFN	5/16"-18 Whiz Lock Nut	4
ART-1011	Roof Stair Leveling Plate	2

Figure 3

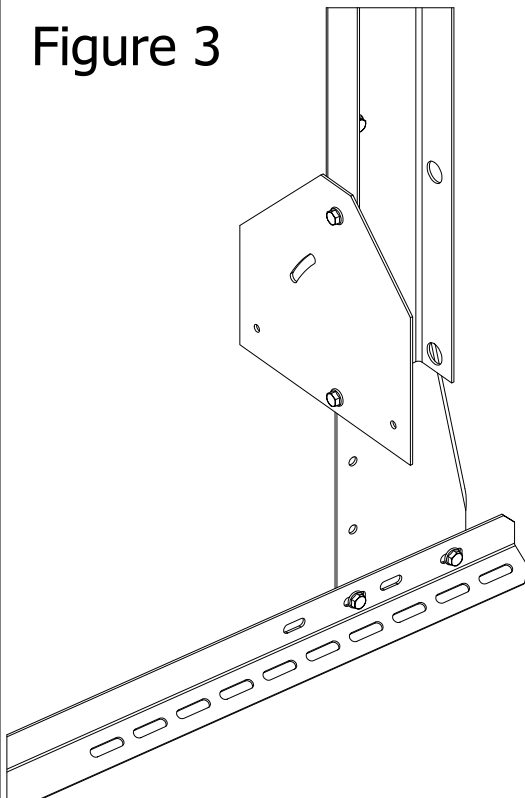
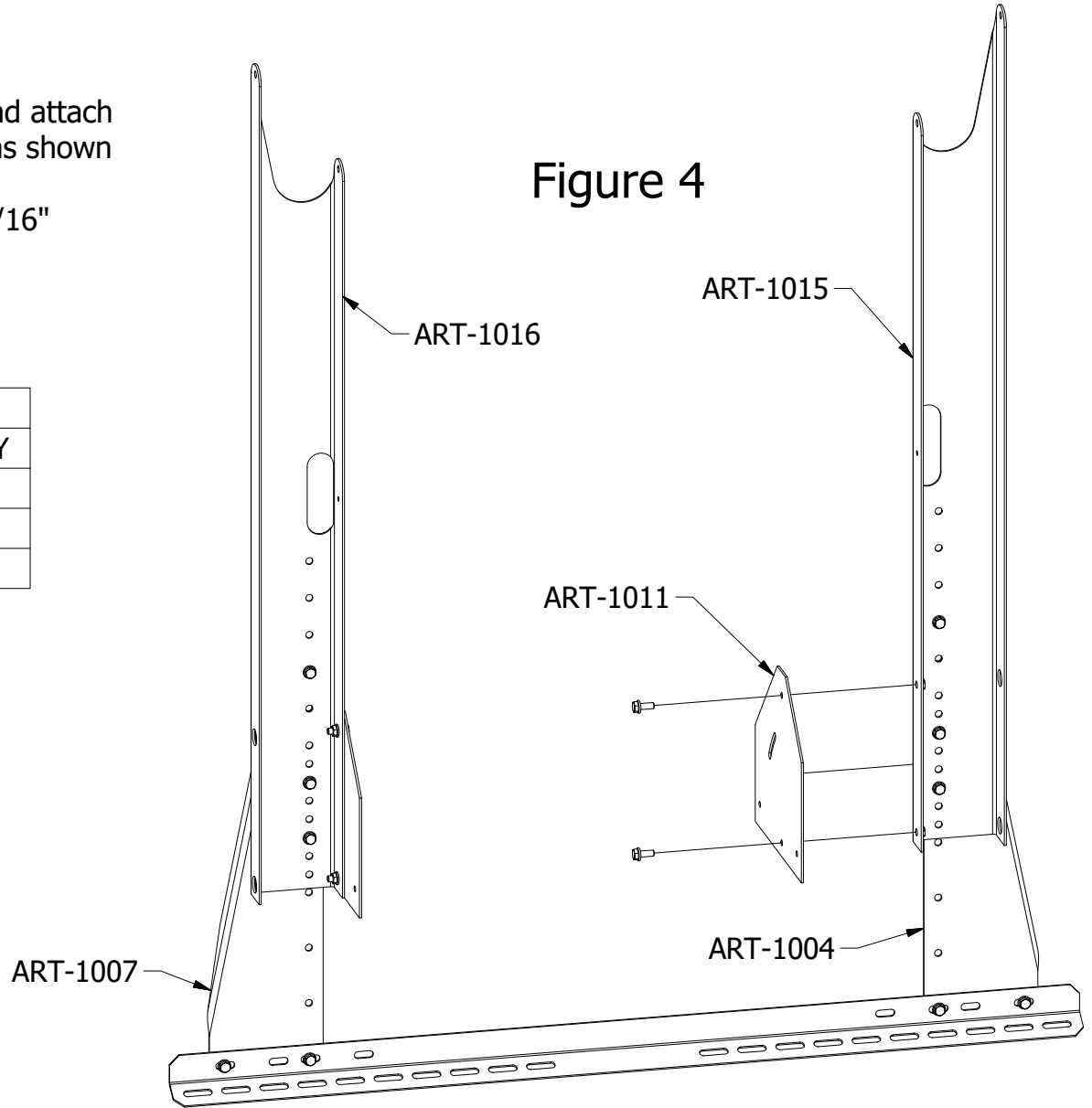


Figure 4



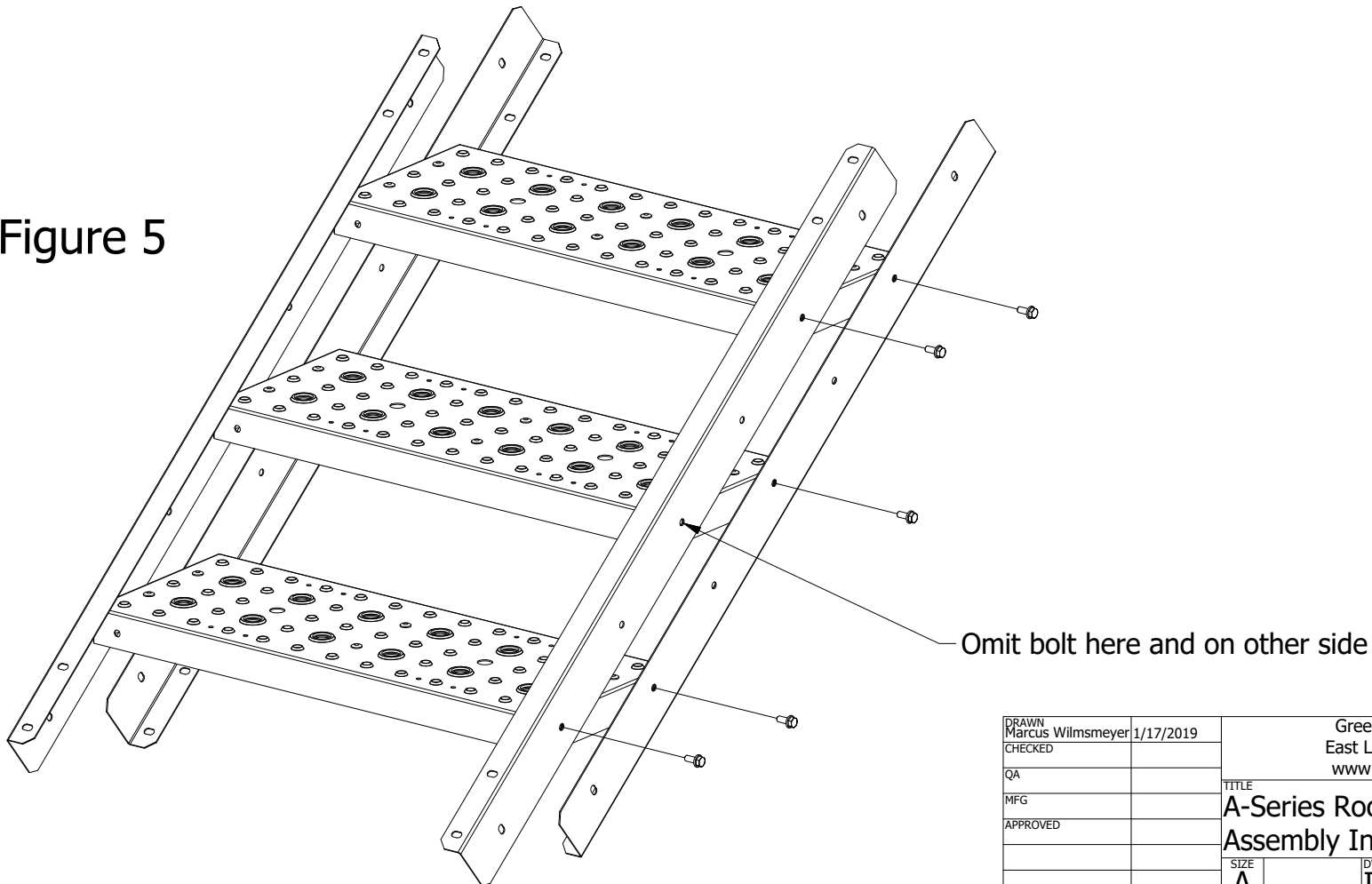
DRAWN Marcus Wilmsmeyer	1/17/2019	Greene Galvanized Stairs East Lynn, IL 217.375.4244 www.greenebinstairs.com	
CHECKED		TITLE A-Series Roof Stairs - 3-Step Assembly Instructions	
QA		SIZE A	DWG NO IN-ART5003
MFG		SCALE 1/9	REV
APPROVED		SHEET 5 OF 9	

Step 3

- A. Place three (3) AS00030 Step Treads in line with four (4) ART-5003 Siderails as shown in Figure 5.
- B. Using ten (10) 5/16" Flange Bolts and ten (10) 5/16" Lock Nuts, secure the step treads to the siderails. On the second-lowest stair, omit two of the bolts and nuts; they will be added on a later step.

PARTS USED IN STEP 3		
PART NUMBER	DESCRIPTION	QTY
ART-5003	3-Step Side Rail	4
AS00030	30" x 11" Step Tread	3
5/16-18x3/4FB	5/16"-18 x 3/4" Flange Bolt	10
5/16-18SFN	5/16"-18 Whiz Lock Nut	10

Figure 5



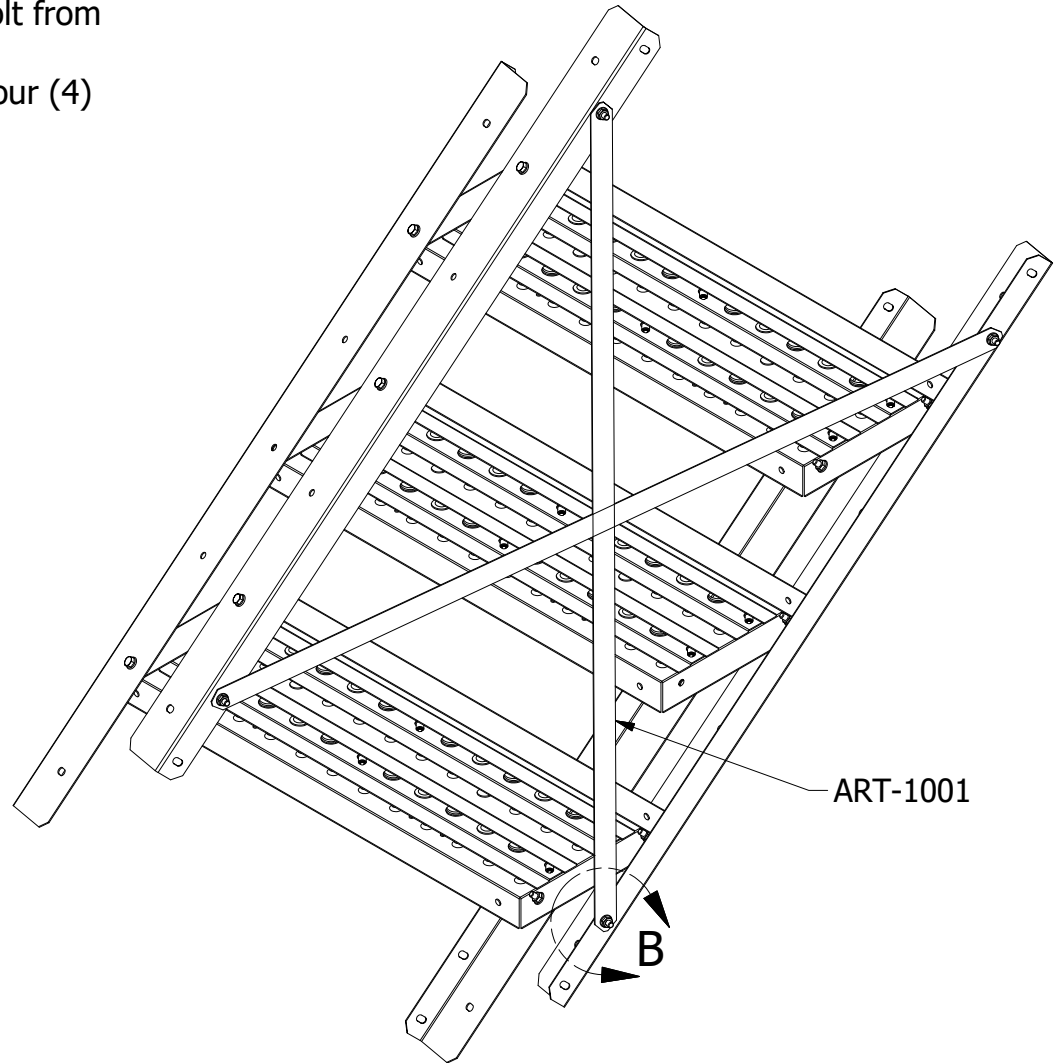
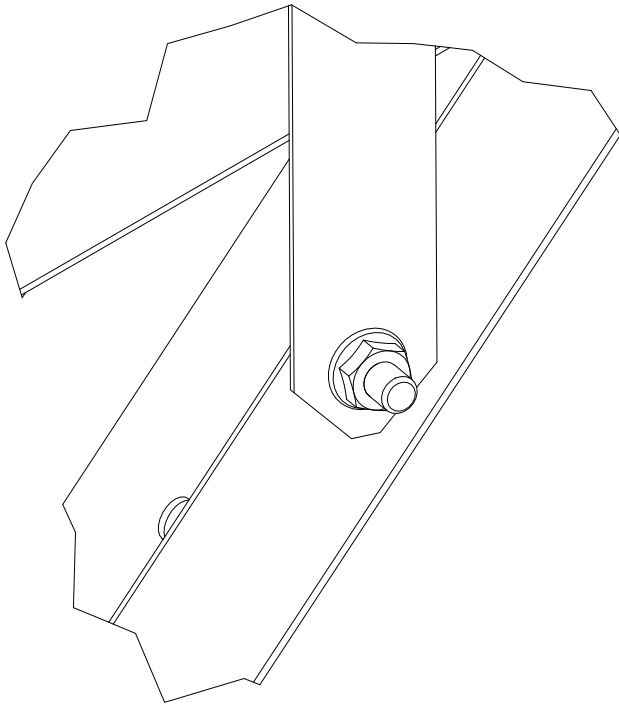
DRAWN Marcus Wilmsmeyer	1/17/2019	Greene Galvanized Stairs East Lynn, IL 217.375.4244 www.greenebinstairs.com	
CHECKED		TITLE A-Series Roof Stairs - 3-Step Assembly Instructions	
QA		SIZE A	DWG NO IN-ART5003
MFG		SCALE 1/9	REV
APPROVED		SHEET 6	OF 9

Step 4

- A. Take the two (2) Cross Braces and position them on the bottom of the stair assembly as shown in Figure 6. On an ART5003, these braces will line up with the second bolt from the end on the siderails.
- B. Secure in place with four (4) 5/16" Flange Bolts and four (4) 5/16" Lock Nuts.

Figure 6

DETAIL B



PARTS USED IN STEP 4		
PART NUMBER	DESCRIPTION	QTY
5/16-18x3/4FB	5/16"-18 x 3/4" Flange Bolt	4
5/16-18SFN	5/16"-18 Whiz Lock Nut	4
ART-1001	Roof Stair Cross Brace	2

DRAWN Marcus Wilmsmeyer	1/17/2019	Greene Galvanized Stairs East Lynn, IL 217.375.4244 www.greenebinstairs.com	
CHECKED		TITLE A-Series Roof Stairs - 3-Step Assembly Instructions	
QA		SIZE A	DWG NO IN-ART5003
MFG		SCALE 1/10	REV
APPROVED		SHEET 7	OF 9

Step 5

- A. Using six (6) 5/16" Flange Bolts and six (6) 5/16" Lock Nuts, bolt the siderails to the leveling bracket. Review Figures 7 and 8 for the bolt layout.
- B. Tighten the bolts on the leveling plates after the final placement on the roof.

PARTS USED IN STEP 5		
PART NUMBER	DESCRIPTION	QTY
5/16-18x3/4FB	5/16"-18 x 3/4" Flange Bolt	6
5/16-18SFN	5/16"-18 Whiz Lock Nut	6

Figure 7

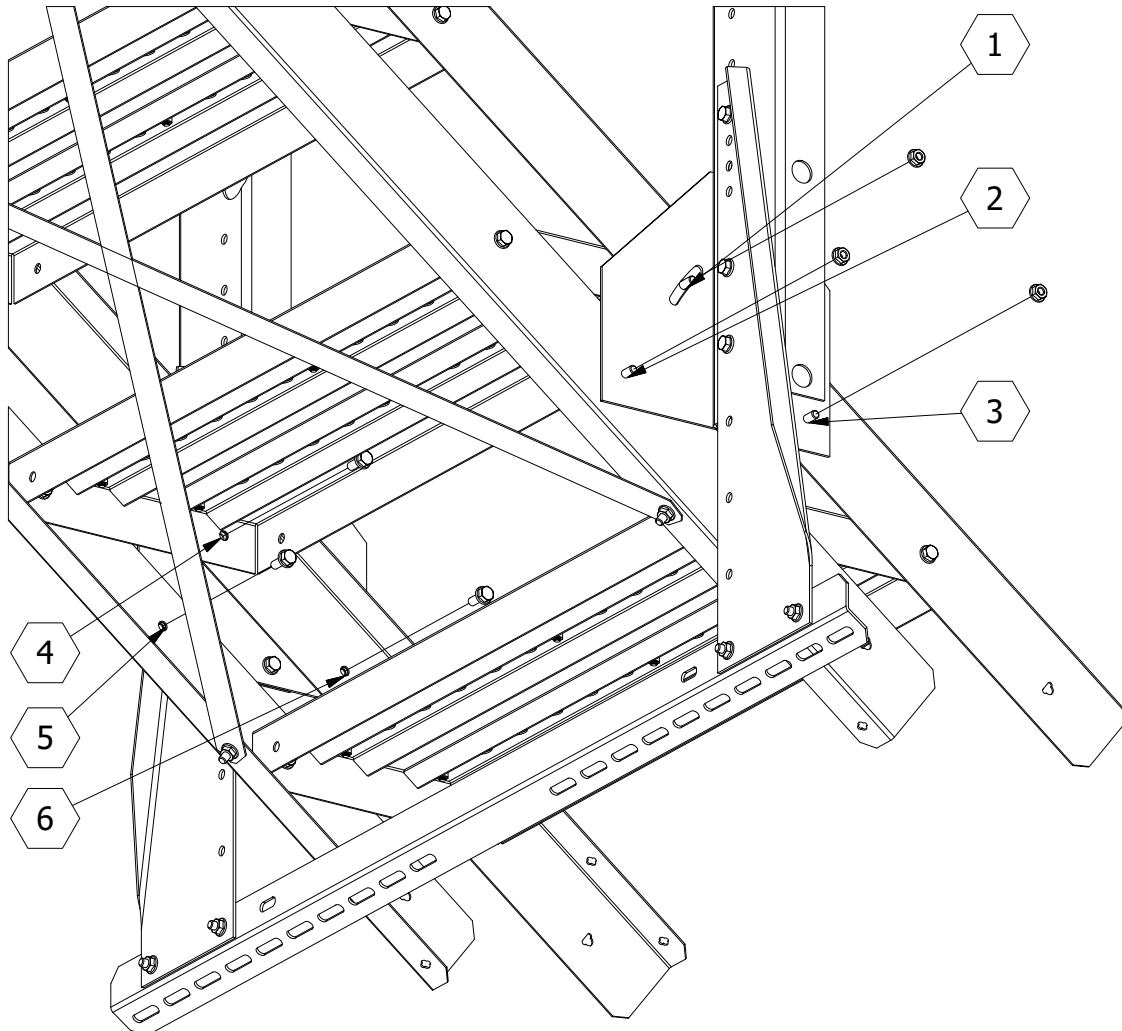
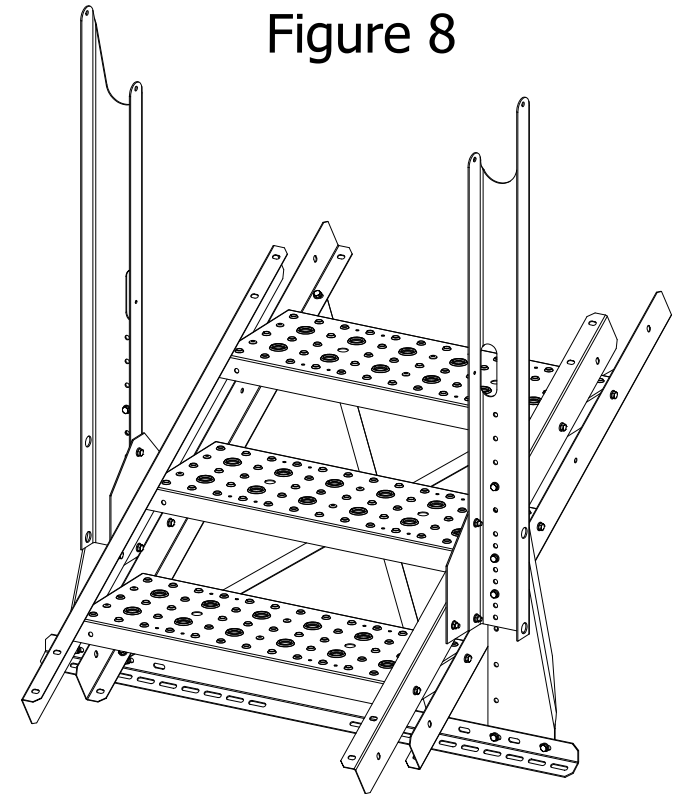


Figure 8

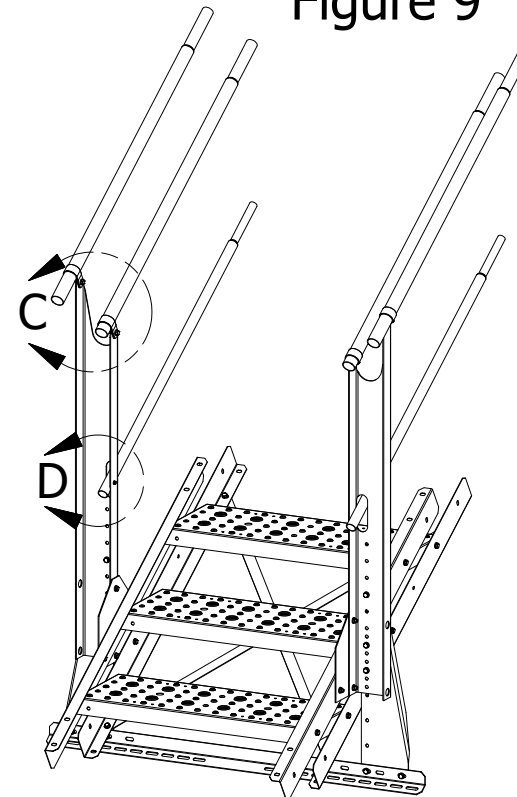


DRAWN Marcus Wilmsmeyer 1/17/2019	Greene Galvanized Stairs East Lynn, IL 217.375.4244 www.greenebinstairs.com	
CHECKED	TITLE A-Series Roof Stairs - 3-Step Assembly Instructions	
QA	SIZE A	DWG NO IN-ART5003
MFG	SCALE 1/7	REV
APPROVED	SHEET 8	OF 9

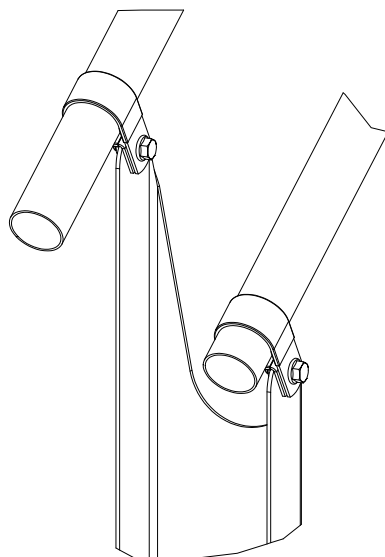
Step 6

- A. Taking the four (4) TR1506006 Swaged Pipes (1.5" dia.), position the pipes as shown in Figure 9, Detail C. Secure the pipes to the posts using four (4) HRC1500 P-Clamps, four (4) 5/16" Flange Bolts, and four (4) 5/16" Lock Nuts.
- B. After the four TR1506006 have been position to the desired location, use four (4) Self-Tapping Screws and secure the 1.5" pipe to the P-Clamp. The screws should be drilled through the bottom of the P-clamp, to minimize interference with hands.
- C. Take the two (2) TR1006006 Swaged Pipes (1" dia.), and position them as shown in Figure 9, Detail D. Secure them to the posts by using two (2) Self-Tapping Screws. There is a hole on the post to aid in starting the Self-Tapping Screw.

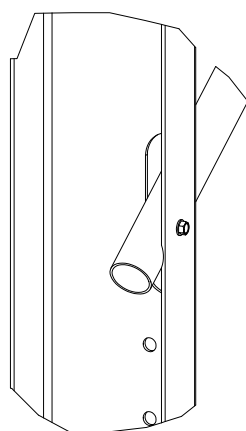
Figure 9



DETAIL C



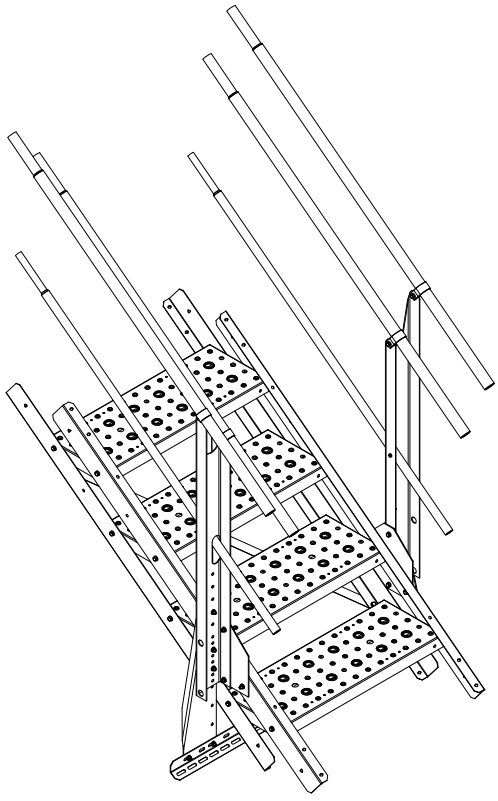
DETAIL D



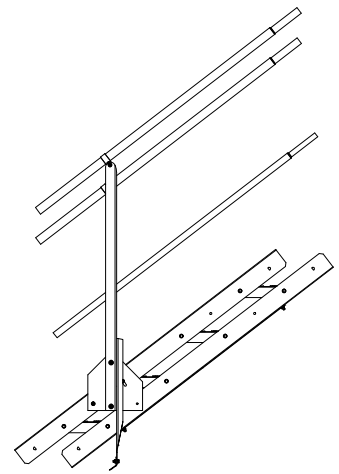
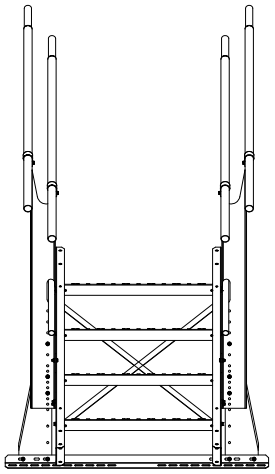
PARTS USED IN STEP 6

PART NUMBER	DESCRIPTION	QTY
5/16-18x3/4FB	5/16"-18 x 3/4" Flange Bolt	4
5/16-18SFN	5/16"-18 Whiz Lock Nut	4
HRC1500	1.5" Handrail P-Clamp	4
Floor Screw	Self-Tapping Screw	6
TR1506006	1.5" Handrail, Swaged	4
TR1006006	1" Handrail, Swaged	2

DRAWN Marcus Wilmsmeyer CHECKED QA MFG APPROVED	1/17/2019	Greene Galvanized Stairs East Lynn, IL 217.375.4244 www.greenebinstairs.com
TITLE A-Series Roof Stairs - 3-Step Assembly Instructions		REV
SIZE A	DWG NO IN-ART5003	SCALE 1/22
SHEET 9 OF 9		



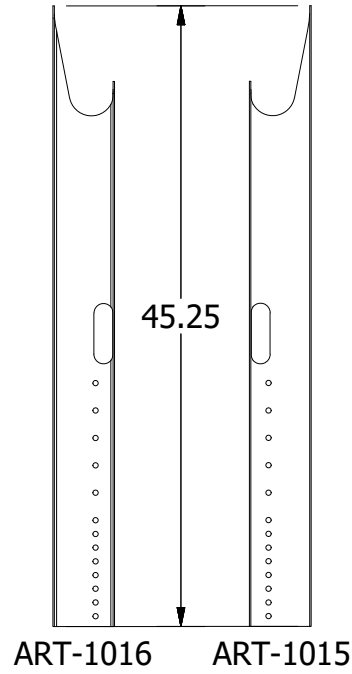
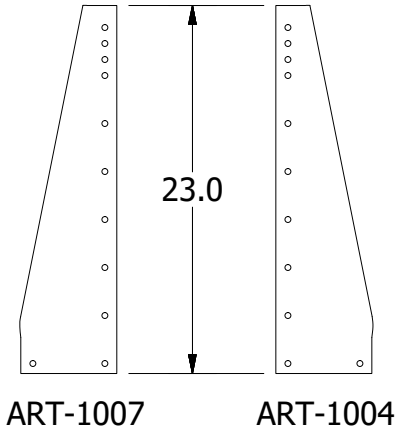
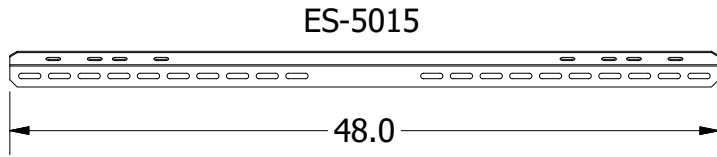
ART5004
Assembly Instructions
Greene Galvanized Stairs



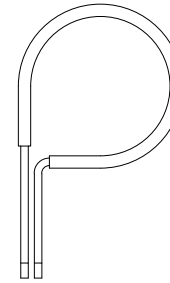
Parts List

PARTS LIST		
PART NUMBER	DESCRIPTION	QTY
ES-5015	Easy Step Roof Stair Mount	1
ART-1007	Roof Stair Post Brace Left	1
ART-1004	Roof Stair Post Brace Right	1
5/16-18x3/4FB	5/16"-18 x 3/4" Flange Bolt	42
5/16-18SFN	5/16"-18 Whiz Lock Nut	42
ART-1015	Right Stair Post w/Guardrail	1
ART-1016	Left Stair Post w/Guardrail	1
ART-1011	Roof Stair Leveling Plate	2
ART-5004	4-Step Siderail	4
AS00030	30" x 11" Step Tread Assembly	4
ART-1001	Stair Stringer X-Brace	2
HRC1500	1.5" Handrail P-Clamp	4
FloorScrews	Self-tapping screws	6
TR1506006	1.5" Handrail, 60" Long, 6" Swage	4
TR1006006	1" Handrail, 60" Long, 6" Swage	2

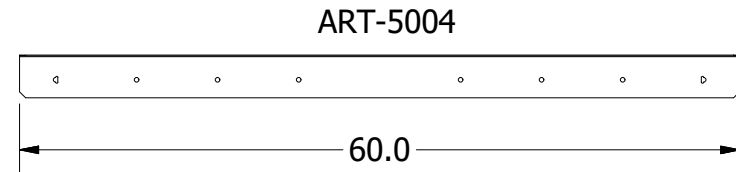
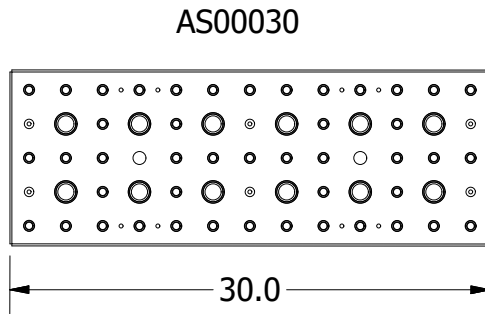
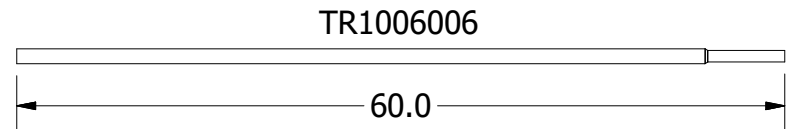
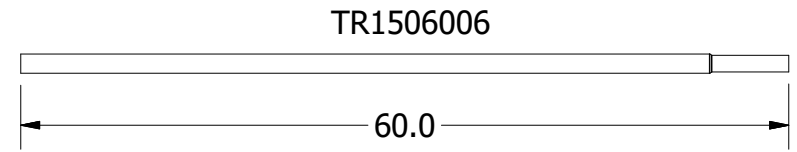
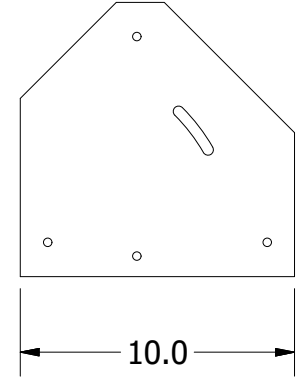
Parts List



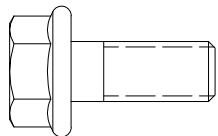
HRC1500



ART-1011

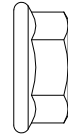


5/16-18x3/4FB



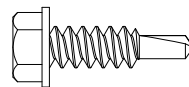
1:1

5/16-18SFN



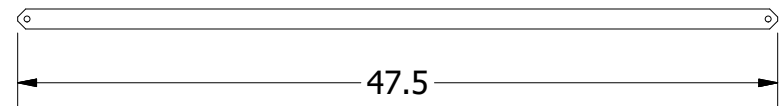
1:1

Floor Screw



1:1

ART-1001



Step 1

- Place the ART-1007 and ART-1004 braces against the ES-5015 Roof Mount as shown in Figure 1. The braces' flanges will face up the roof run when installed.
- Secure the braces to the roof mount using four (4) 5/16" Flange Bolts and four (4) 5/16" Lock Nuts. See Detail A for bolt hole locations on the ES-5015 brace.
- Place the ART-1015 and ART-1016 posts against the ART-1007 braces. The bolt spacing shown in Figure 2 are in the lowest position; adjust the height to fit the roof.
- Secure each in place with three (3) 5/16" Flange Bolts and three (3) 5/16" Lock Nuts.

DETAIL A

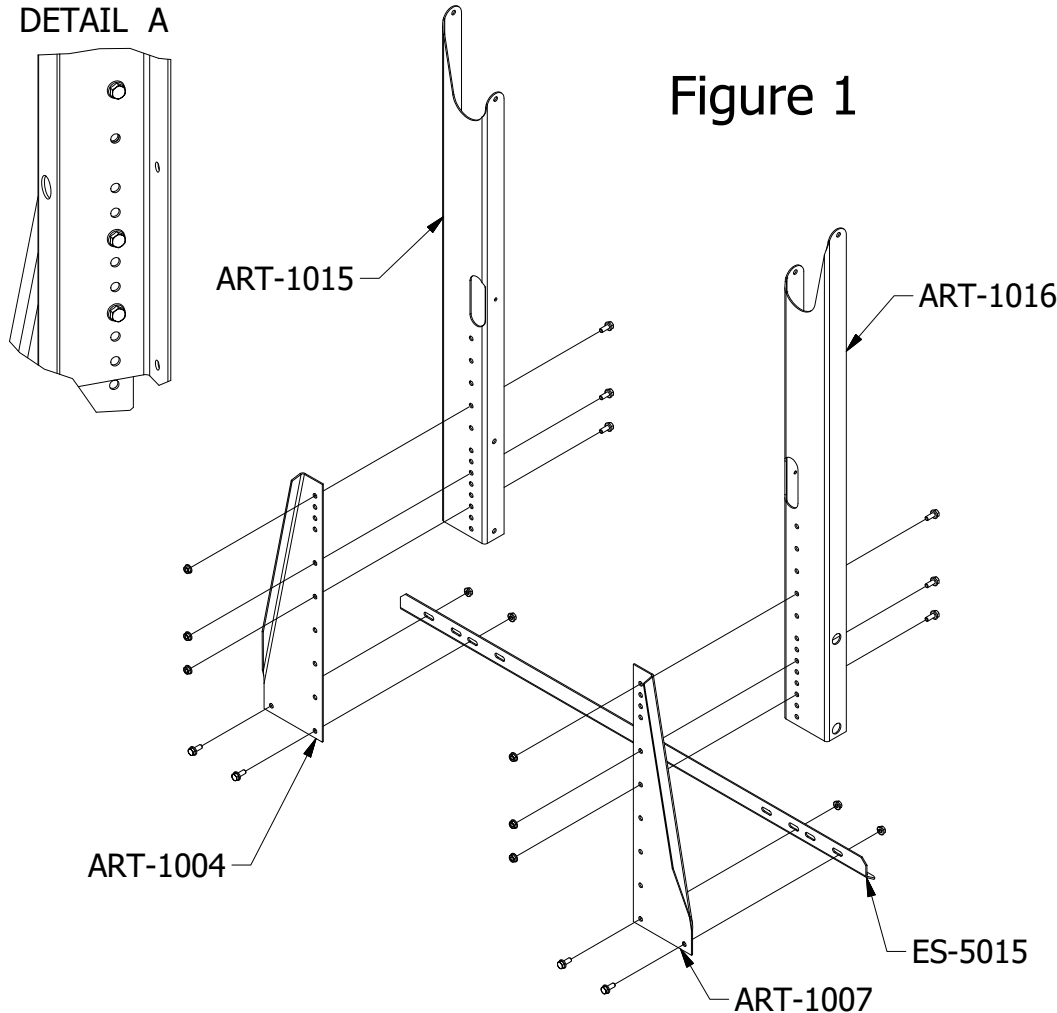
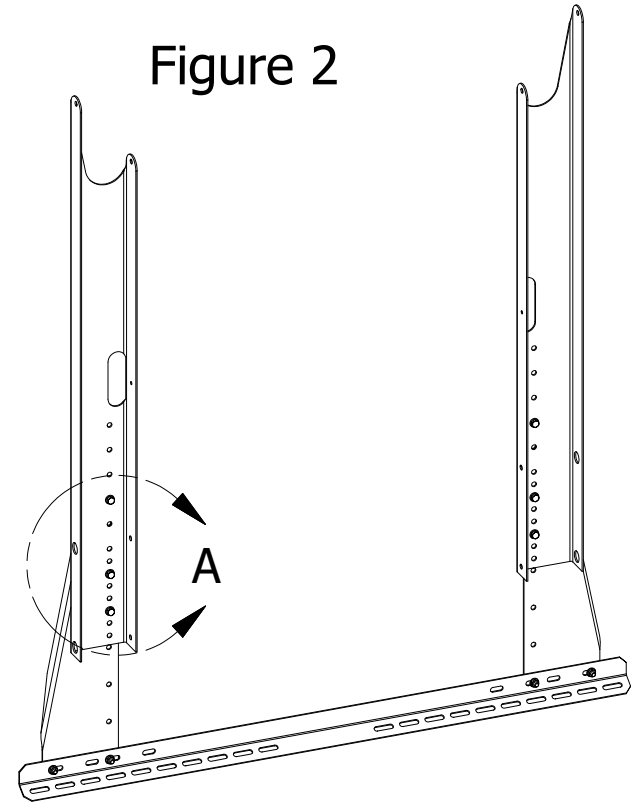


Figure 1

Figure 2



PARTS USED IN STEP 1

PART NUMBER	DESCRIPTION	QTY
ES-5015	Easy Step Roof Stair Mount	1
ART-1007	Roof Stair Post Brace Left	1
ART-1004	Roof Stair Post Brace Right	1
ART-1015	Right Stair Post	1
ART-1016	Left Stair Post	1
5/16-18x3/4FB	5/16"-18 x 3/4" Flange Bolt	10
5/16-18SFN	5/16"-18 Whiz Lock Nut	10

DRAWN Marcus Wilmsmeyer	1/17/2019	Greene Galvanized Stairs East Lynn, IL 217.375.4244 www.greenebinstairs.com	
CHECKED		TITLE A-Series Roof Stairs - 4-Step Assembly Instructions	
QA		SIZE A	DWG NO IN-ART5004
MFG		SCALE 1/14	REV
APPROVED		SHEET 4	OF 9

Step 2

- A. Take two (2) ART-1011 Levelling Brackets and attach them to the ART-1015 and ART-1016 posts as shown in Figure 3 and Figure 4.
- B. Secure the brackets in place using four (4) 5/16" Flange Bolts and four (4) 5/16" Lock Nuts.

PARTS USED IN STEP 2		
PART NUMBER	DESCRIPTION	QTY
5/16-18x3/4FB	5/16"-18 x 3/4" Flange Bolt	4
5/16-18SFN	5/16"-18 Whiz Lock Nut	4
ART-1011	Roof Stair Leveling Plate	2

Figure 3

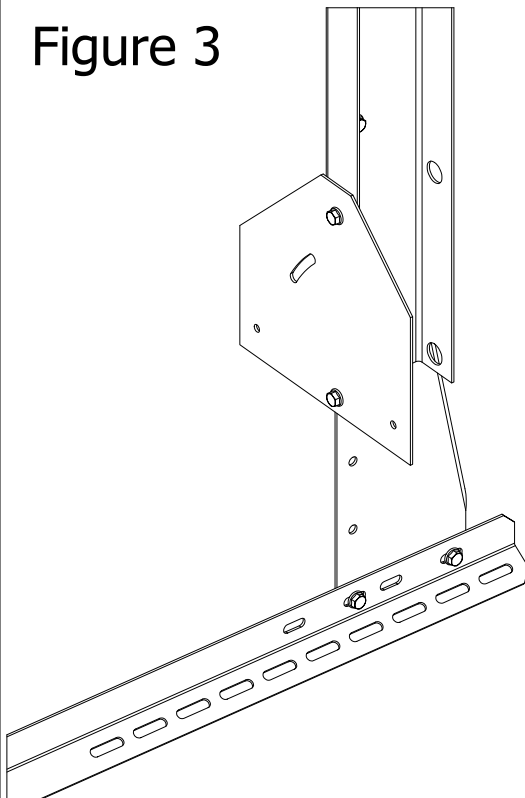
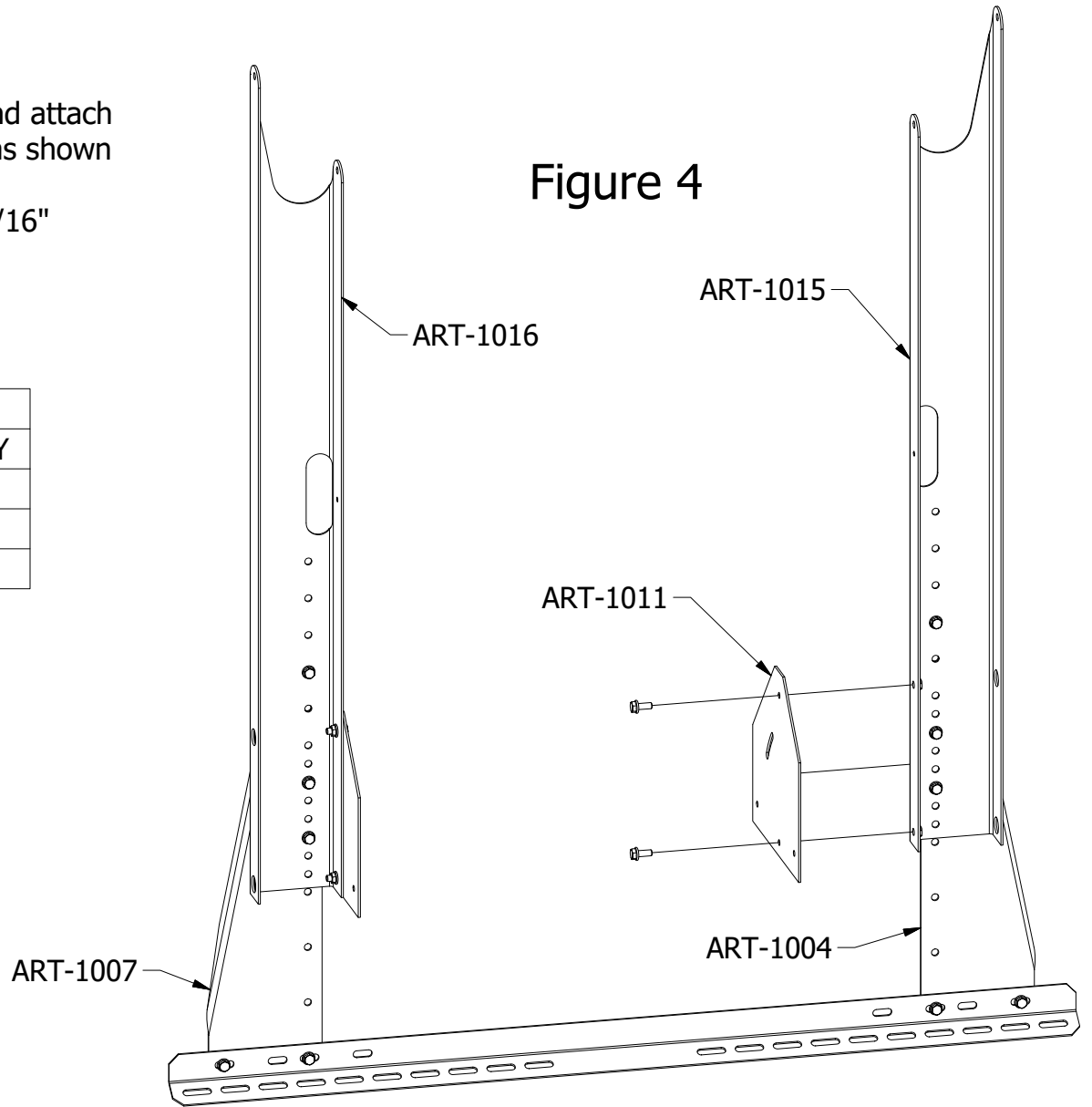


Figure 4



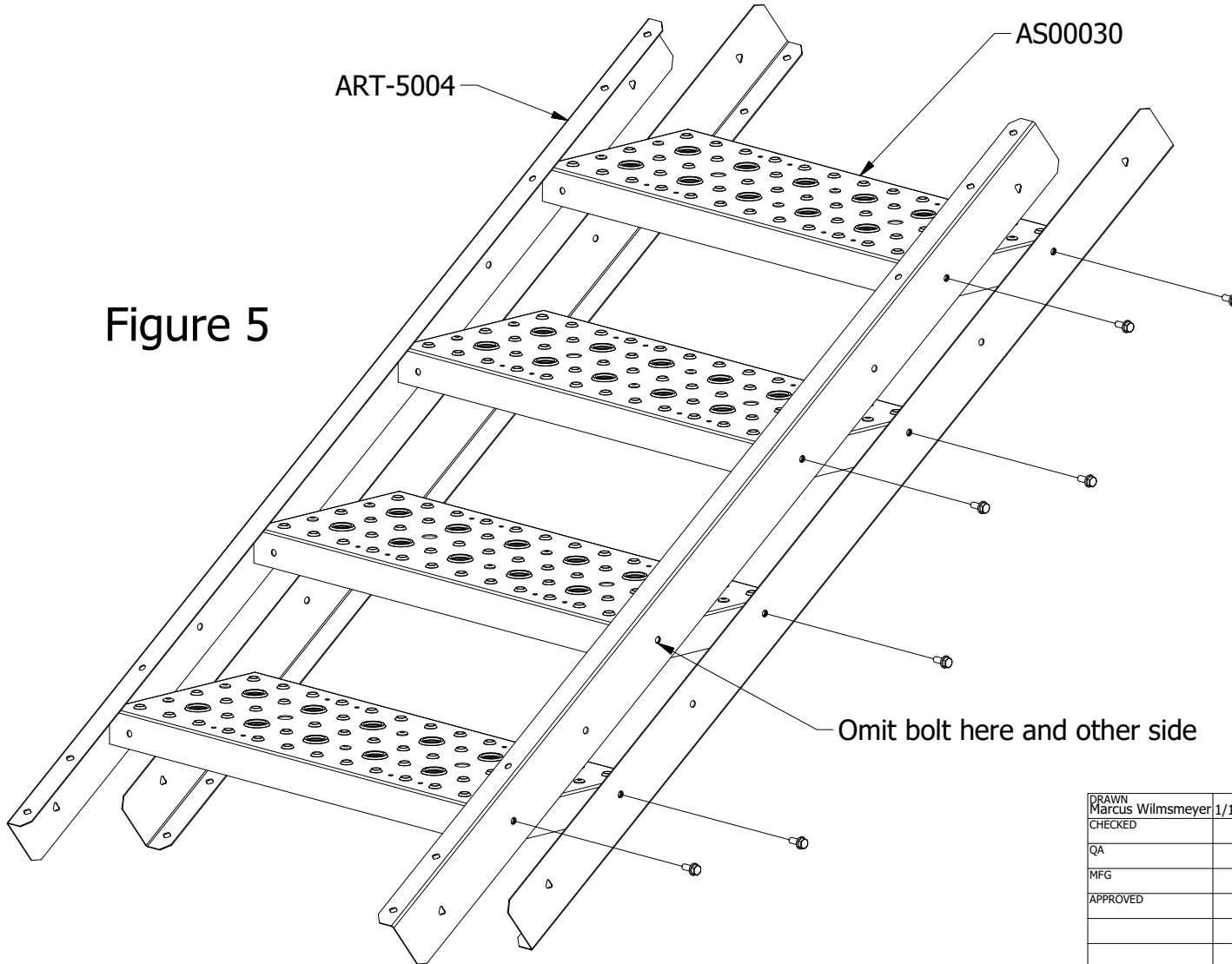
DRAWN Marcus Wilmsmeyer	1/17/2019	Greene Galvanized Stairs East Lynn, IL 217.375.4244 www.greenebinstairs.com	
CHECKED		TITLE A-Series Roof Stairs - 4-Step Assembly Instructions	
QA		SIZE A	DWG NO IN-ART5004
MFG		SCALE 1/9	REV
APPROVED		SHEET 5 OF 9	

Step 3

- A. Place four (4) AS00030 Step Treads in line with four (4) ART-5004 Siderails as shown in Figure 5.
- B. Using fourteen (14) 5/16" Flange Bolts and fourteen (14) 5/16" Lock Nuts, secure the step treads to the siderails. On the second-lowest stair, omit two of the bolts and nuts; they will be added on a later step.

PARTS USED IN STEP 3		
PART NUMBER	DESCRIPTION	QTY
5/16-18x3/4FB	5/16"-18 x 3/4" Flange Bolt	14
5/16-18SFN	5/16"-18 Whiz Lock Nut	14
ART-5004	4 Step Siderail	4
AS00030	Tread 30 x 11 Step Assembly	4

Figure 5

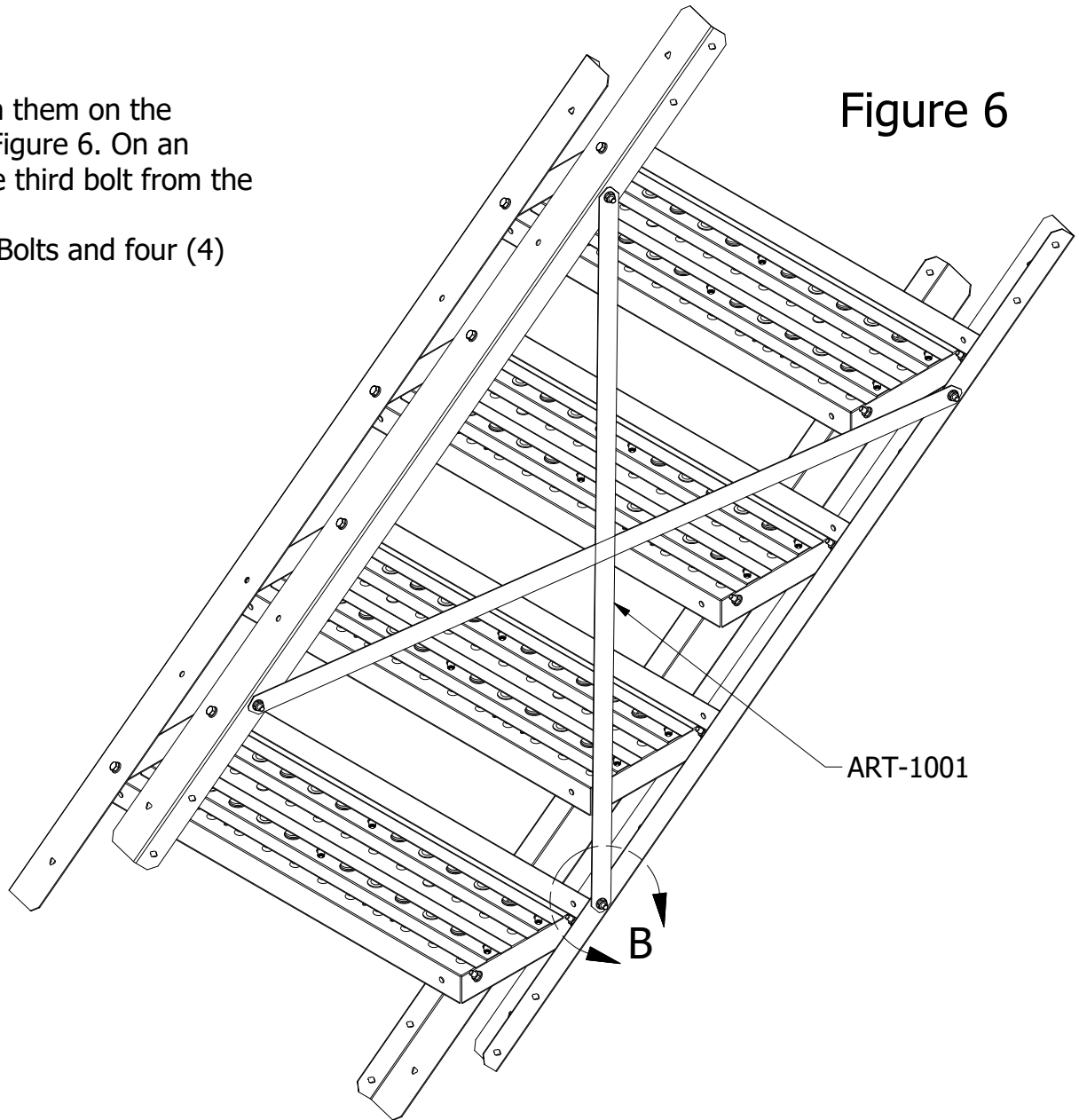


DRAWN Marcus Wilmsmeyer	1/17/2019	Greene Galvanized Stairs East Lynn, IL 217.375.4244 www.greenebinstairs.com	
CHECKED		TITLE A-Series Roof Stairs - 4-Step Assembly Instructions	
QA		SIZE A	DWG NO IN-ART5004
MFG		SCALE 1/9	REV
APPROVED		SHEET 6 OF 9	

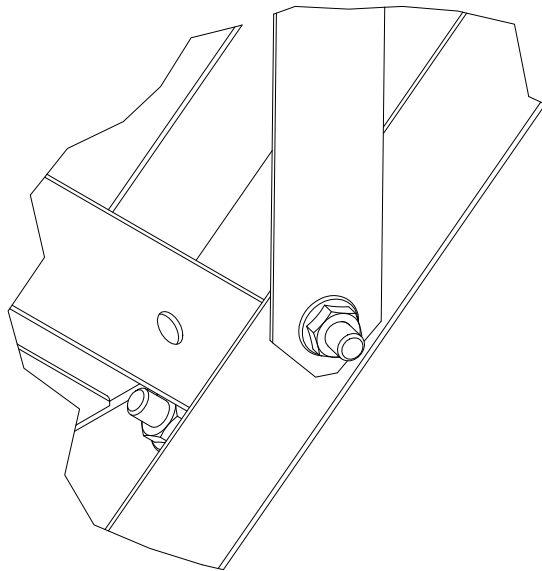
Step 4

- A. Take the two (2) Cross Braces and position them on the bottom of the stair assembly as shown in Figure 6. On an ART5004, these braces will line up with the third bolt from the end on the siderails.
- B. Secure in place with four (4) 5/16" Flange Bolts and four (4) 5/16" Lock Nuts.

Figure 6



DETAIL B



PARTS USED IN STEP 4		
PART NUMBER	DESCRIPTION	QTY
5/16-18x3/4FB	5/16"-18 x 3/4" Flange Bolt	4
5/16-18SFN	5/16"-18 Whiz Lock Nut	4
ART-1001	Roof Stair Cross Brace	2

DRAWN Marcus Wilmsmeyer	1/17/2019	Greene Galvanized Stairs East Lynn, IL 217.375.4244 www.greenebinstairs.com	
CHECKED		TITLE A-Series Roof Stairs - 4-Step Assembly Instructions	
QA		SIZE A	DWG NO IN-ART5004
MFG		SCALE 1/10	REV
APPROVED		SHEET 7	OF 9

Step 5

- A. Using six (6) 5/16" Flange Bolts and six (6) 5/16" Lock Nuts, bolt the siderails to the leveling bracket. Review Figures 7 and 8 for the bolt layout.
- B. Tighten the bolts on the leveling plates after the final placement on the roof.

PARTS USED IN STEP 5		
PART NUMBER	DESCRIPTION	QTY
5/16-18x3/4FB	5/16"-18 x 3/4" Flange Bolt	6
5/16-18SFN	5/16"-18 Whiz Lock Nut	6

Figure 7

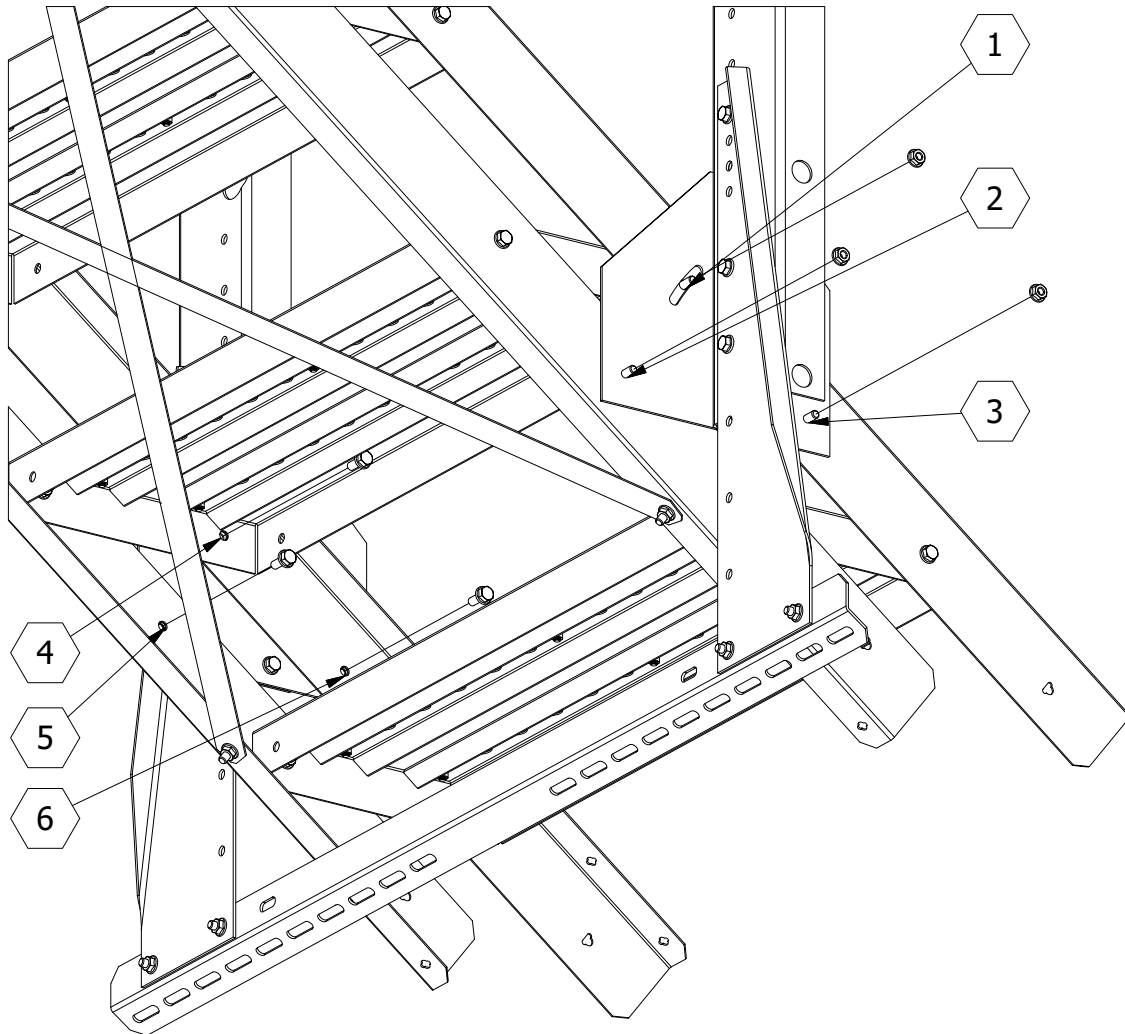
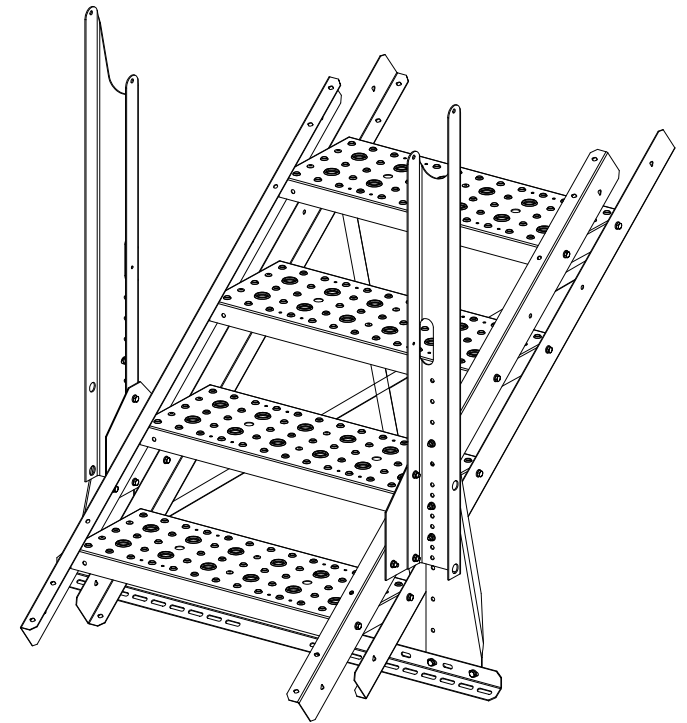


Figure 8

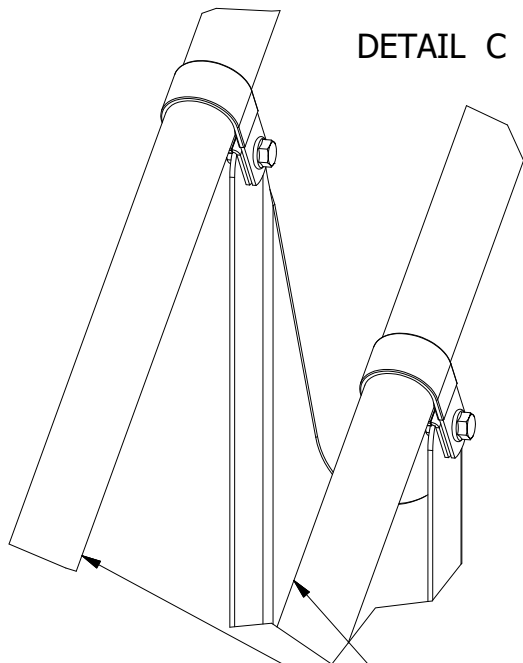
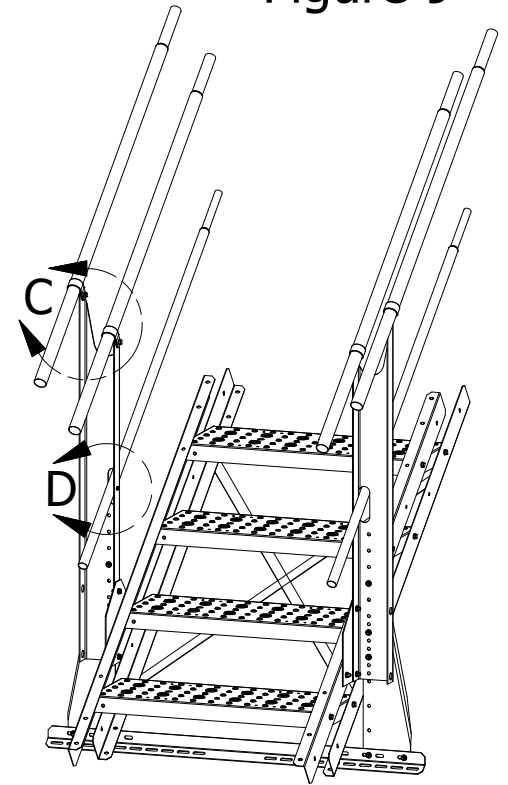


DRAWN Marcus Wilmsmeyer	1/17/2019	Greene Galvanized Stairs East Lynn, IL 217.375.4244 www.greenebinstairs.com	
CHECKED		TITLE A-Series Roof Stairs - 4-Step Assembly Instructions	
QA		SIZE A	DWG NO IN-ART5004
MFG		SCALE 1/17	REV
APPROVED		SHEET 8	OF 9

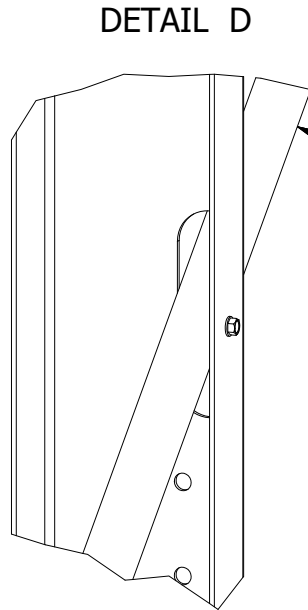
Step 6

- A. Taking the four (4) TR1506006 Swaged Pipes (1.5" dia.), position the pipes as shown in Figure 9, Detail C. Secure the pipes to the posts using four (4) HRC1500 P-Clamps, four (4) 5/16" Flange Bolts, and four (4) 5/16" Lock Nuts.
- B. After the four TR1506006 have been position to the desired location, use four (4) Self-Tapping Screws and secure the 1.5" pipe to the P-Clamp. The screws should be drilled through the bottom of the P-clamp, to minimize interference with hands.
- C. Take the two (2) TR1006006 Swaged Pipes (1" dia.), and position them as shown in Figure 9, Detail D. Secure them to the posts by using two (2) Self-Tapping Screws. There is a hole on the post to aid in starting the Self-Tapping Screw.

Figure 9



DETAIL C



DETAIL D

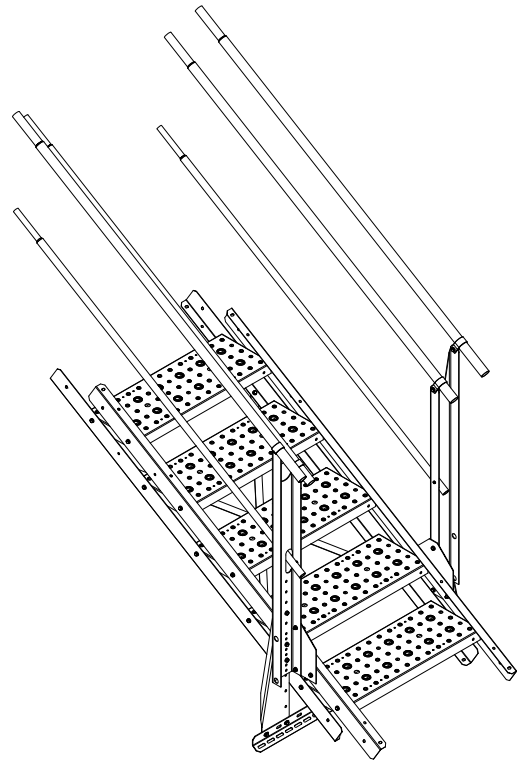
TR1006006

TR1506006

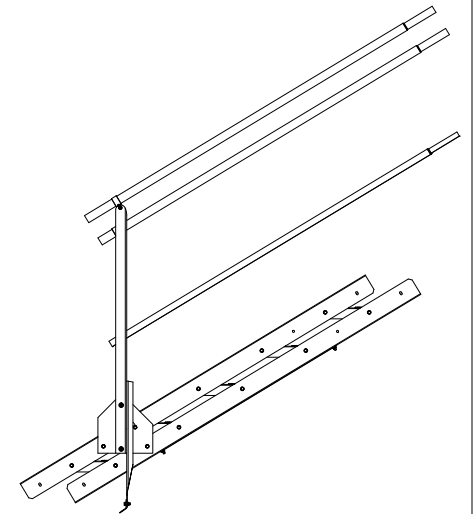
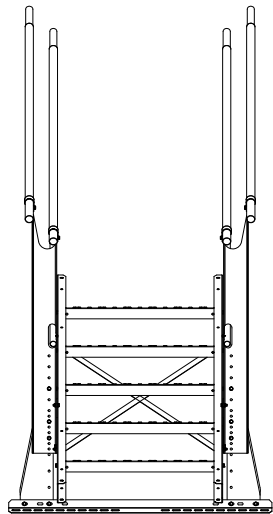
PARTS USED IN STEP 6

PART NUMBER	DESCRIPTION	QTY
5/16-18x3/4FB	5/16"-18 x 3/4" Flange Bolt	4
5/16-18SFN	5/16"-18 Whiz Lock Nut	4
HRC1500	1.5" Handrail P-Clamp	4
Floor Screw	Self-Tapping Screw	6
TR1506006	1.5" Handrail, Swaged	4
TR1006006	1" Handrail, Swaged	2

DRAWN Marcus Wilmsmeyer	1/17/2019	Greene Galvanized Stairs East Lynn, IL 217.375.4244 www.greenebinstairs.com	
CHECKED		TITLE A-Series Roof Stairs - 4-Step Assembly Instructions	
QA		SIZE A	DWG NO IN-ART5004
MFG		SCALE 1/23	REV
APPROVED		SHEET 9	OF 9



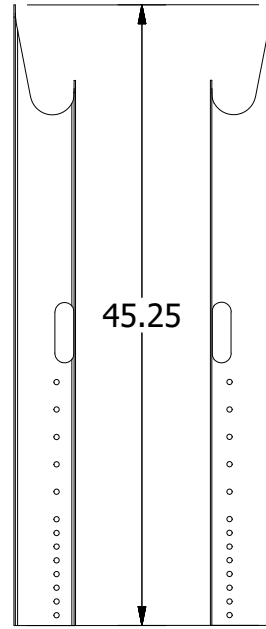
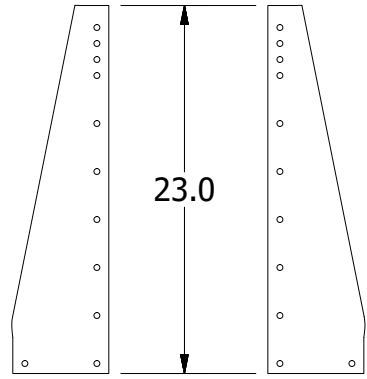
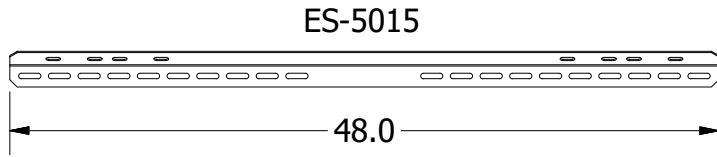
ART5005 Assembly Instructions Greene Galvanized Stairs



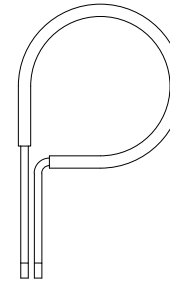
Parts List

PARTS LIST		
PART NUMBER	DESCRIPTION	QTY
5/16-18x3/4FB	5/16"-18 x 3/4" Flange Bolt	46
5/16-18SFN	5/16"-18 Whiz Lock Nut	46
ES-5015	Easy Step Roof Stair Mount	1
ART-1015	Right Stair Post w/Guardrail	1
ART-1016	Left Stair Post w/Guardrail	1
ART-1004	Roof Stair Post Brace Right	1
ART-1007	Roof Stair Post Brace Left	1
ART-1011	Roof Stair Leveling Plate	2
ART-5005	5 Step Mid Siderail	4
AS-00030	30" x 11" Stair Step Tread	5
ART-1001	Stair Stringer X-Brace	2
TR1507406	74 in 1.5 Swaged Tubing 6" swage	4
TR1007406	74 in 1.5 Swaged Tubing 6" swage	2
HRC1500	Handrail Clamp for 1.5 in	4
Floor Screw	Self-Tapping Screw	6

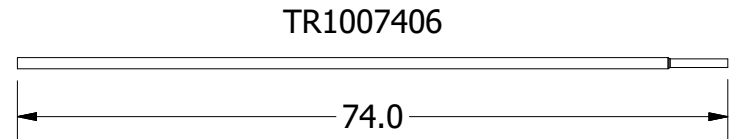
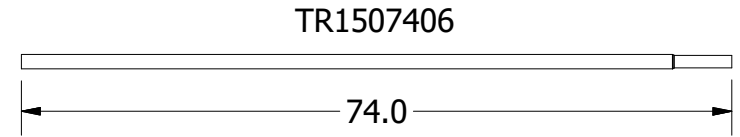
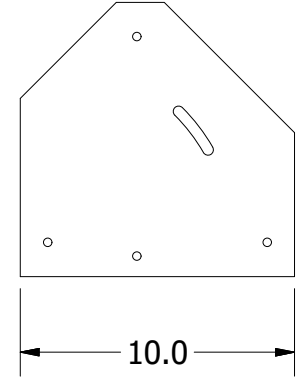
Parts List



HRC1500



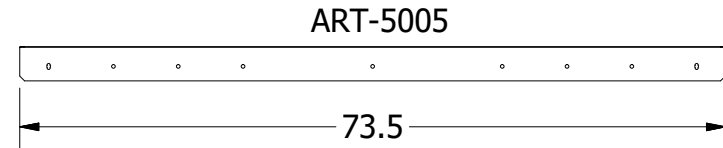
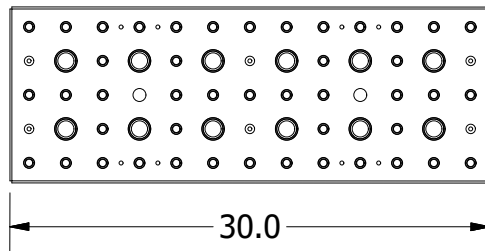
ART-1011



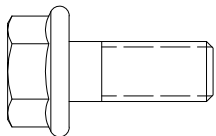
ART-1007 ART-1004

ART-1016 ART-1015

AS00030

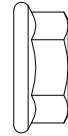


5/16-18x3/4FB



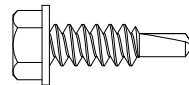
1:1

5/16-18SFN



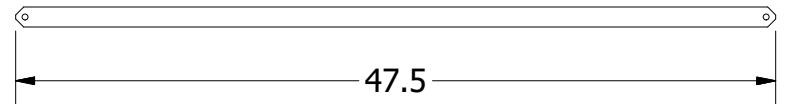
1:1

Floor Screw



1:1

ART-1001



Step 1

- A. Place the ART-1007 and ART-1004 braces against the ES-5015 Roof Mount as shown in Figure 1. The braces' flanges will face up the roof run when installed.
- B. Secure the braces to the roof mount using four (4) 5/16" Flange Bolts and four (4) 5/16" Lock Nuts. See Detail A for bolt hole locations on the ES-5015 brace.
- C. Place the ART-1015 and ART-1016 posts against the ART-1007 braces. The bolt spacing shown in Figure 2 are in the lowest position; adjust the height to fit the roof.
- D. Secure each in place with three (3) 5/16" Flange Bolts and three (3) 5/16" Lock Nuts.

DETAIL A

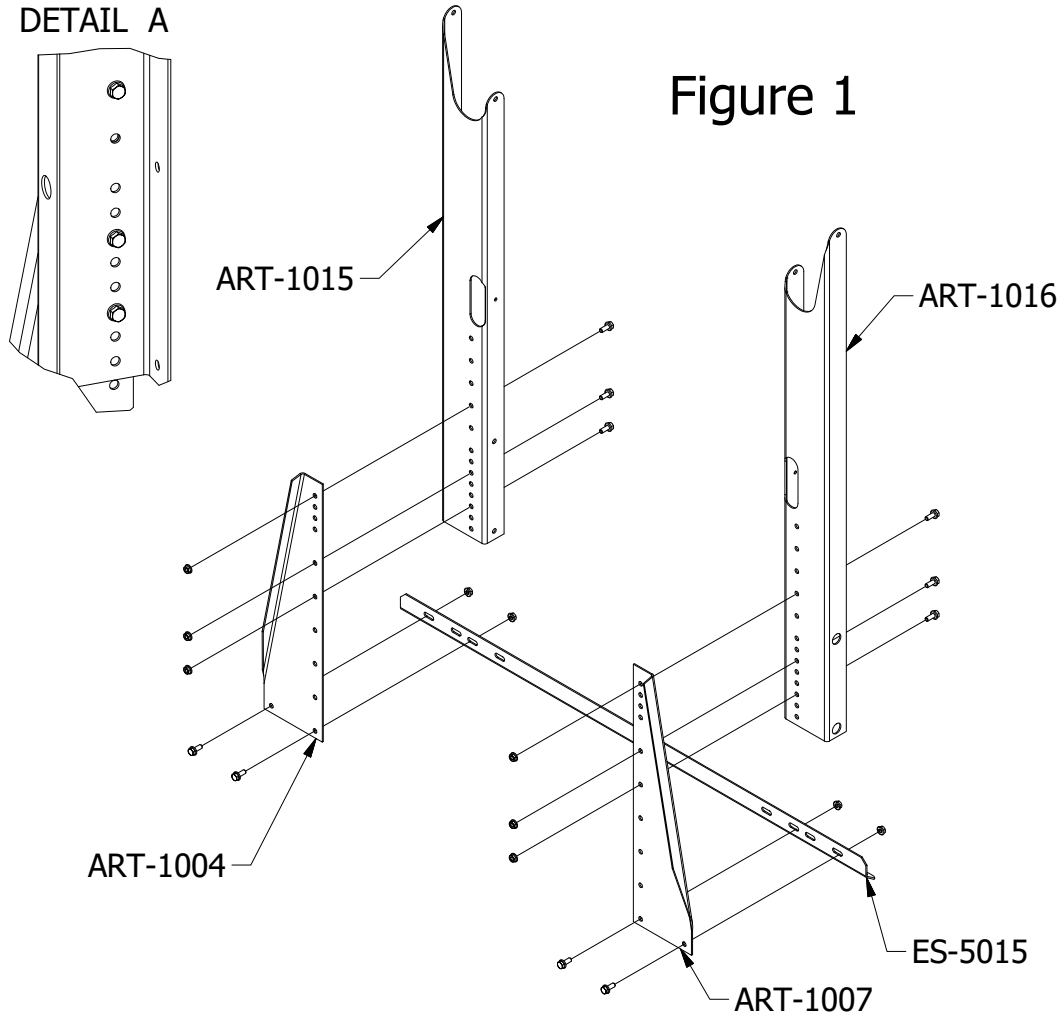
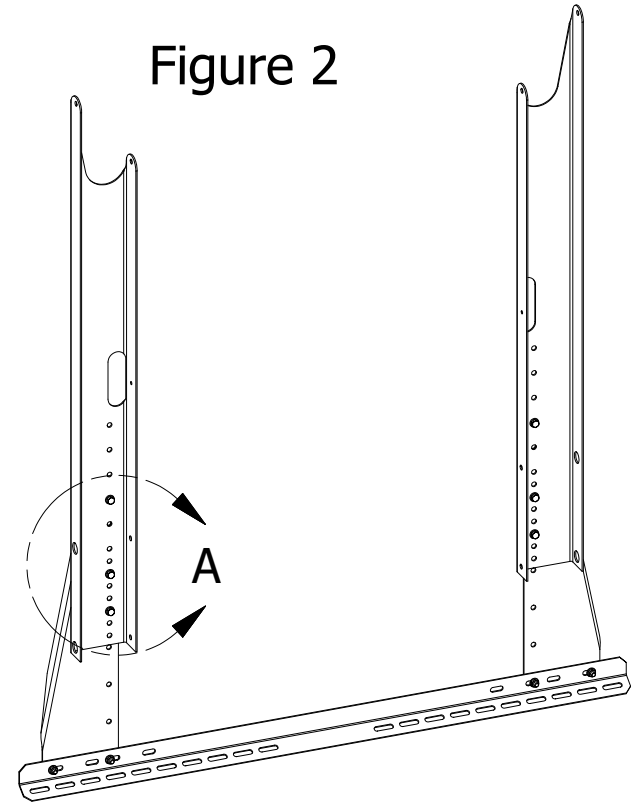


Figure 1

Figure 2



PARTS USED IN STEP 1		
PART NUMBER	DESCRIPTION	QTY
ES-5015	Easy Step Roof Stair Mount	1
ART-1007	Roof Stair Post Brace Left	1
ART-1004	Roof Stair Post Brace Right	1
ART-1015	Right Stair Post	1
ART-1016	Left Stair Post	1
5/16-18x3/4FB	5/16"-18 x 3/4" Flange Bolt	10
5/16-18SFN	5/16"-18 Whiz Lock Nut	10

DRAWN Marcus Wilmsmeyer	1/17/2019	Greene Galvanized Stairs East Lynn, IL 217.375.4244 www.greenebinstairs.com	
CHECKED		TITLE A-Series Roof Stairs - 5-Step Assembly Instructions	
QA		SIZE A	DWG NO IN-ART5005
MFG		SCALE 1/14	REV
APPROVED		SHEET 4	OF 9

Step 2

- A. Take two (2) ART-1011 Levelling Brackets and attach them to the ART-1015 and ART-1016 posts as shown in Figure 3 and Figure 4.
- B. Secure the brackets in place using four (4) 5/16" Flange Bolts and four (4) 5/16" Lock Nuts.

PARTS USED IN STEP 2		
PART NUMBER	DESCRIPTION	QTY
5/16-18x3/4FB	5/16"-18 x 3/4" Flange Bolt	4
5/16-18SFN	5/16"-18 Whiz Lock Nut	4
ART-1011	Roof Stair Leveling Plate	2

Figure 3

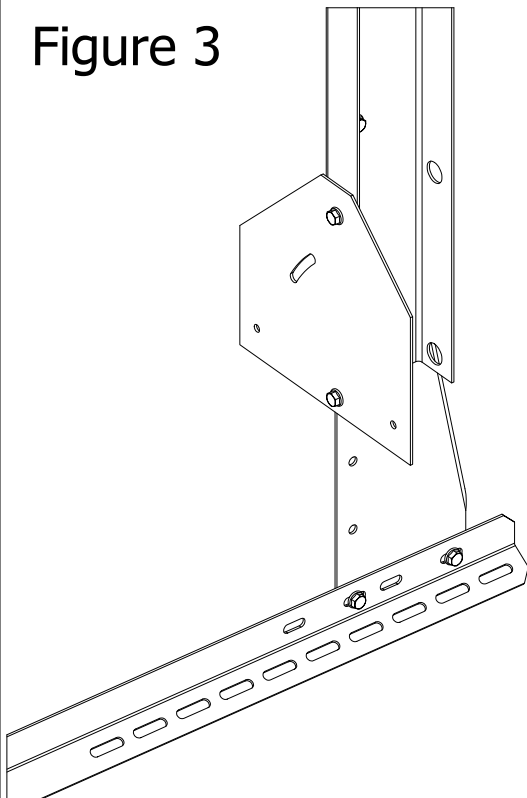
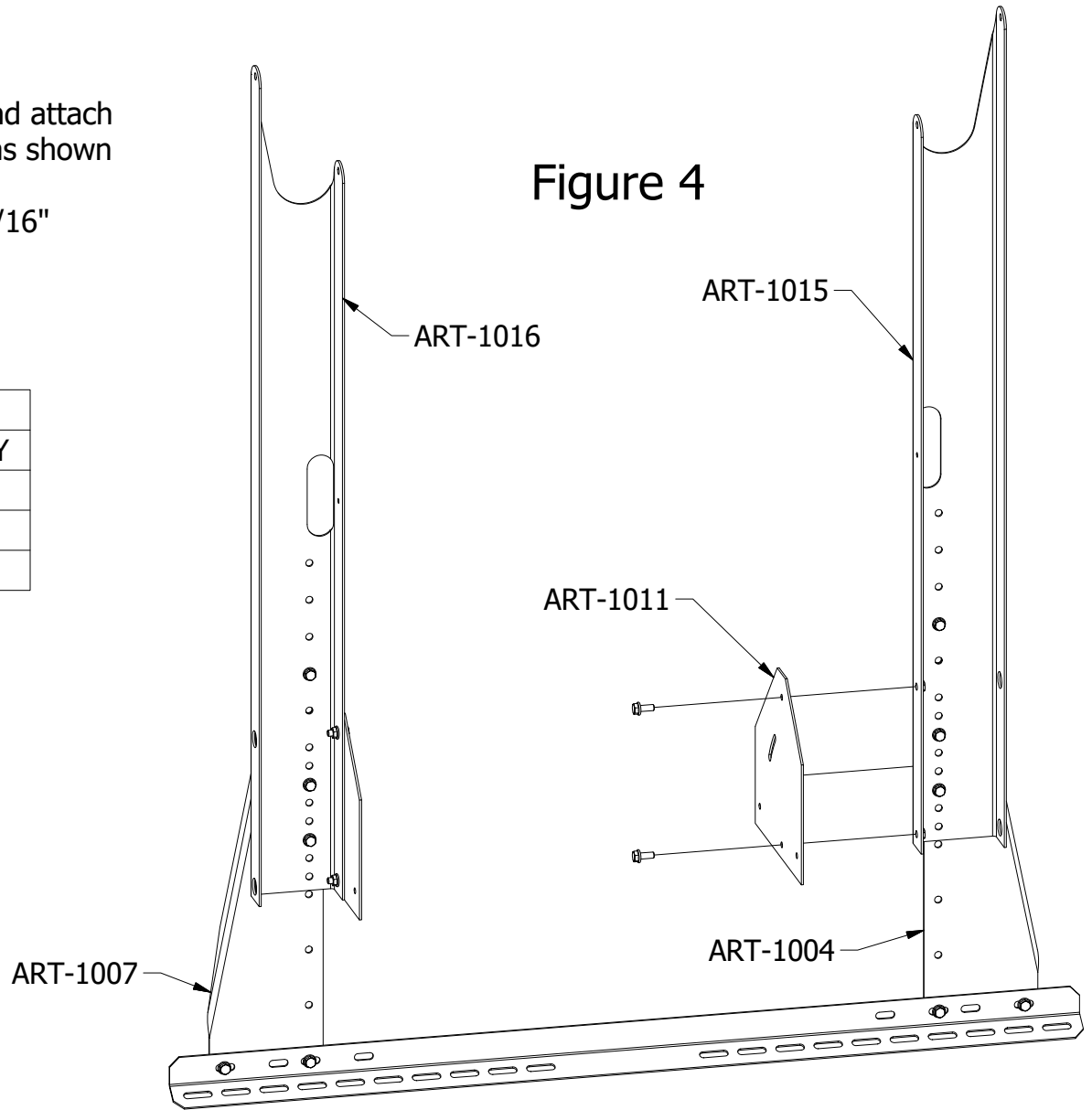


Figure 4



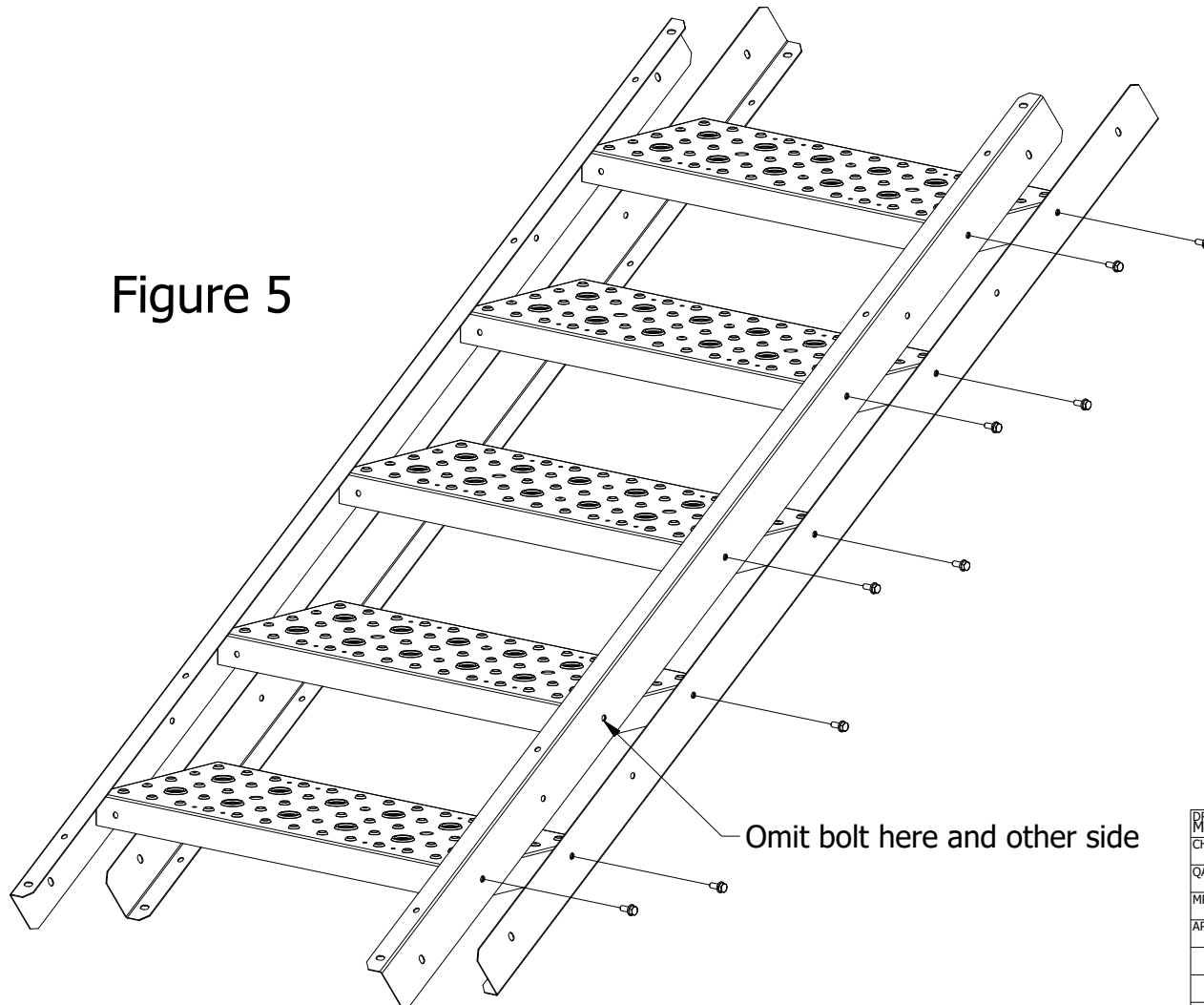
DRAWN Marcus Wilmsmeyer	1/17/2019	Greene Galvanized Stairs East Lynn, IL 217.375.4244 www.greenebinstairs.com	
CHECKED		TITLE A-Series Roof Stairs - 5-Step Assembly Instructions	
QA		SIZE A	DWG NO IN-ART5005
MFG		SCALE 1/9	REV
APPROVED		SHEET 5 OF 9	

Step 3

- A. Place five (5) AS00030 Step Treads in line with four (4) ART-5005 Siderails as shown in Figure 5.
- B. Using eighteen (18) 5/16" Flange Bolts and eighteen (18) 5/16" Lock Nuts, secure the step treads to the siderails. On the second-lowest stair, omit two of the bolts and nuts; they will be added on a later step.

PARTS USED IN STEP 3		
PART NUMBER	DESCRIPTION	QTY
ART-5005	5 Step Mid Siderail	4
AS00030	Tread 30 x 11 Step Assembly	5
5/16-18x3/4FB	5/16"-18 x 3/4" Flange Bolt	18
5/16-18SFN	5/16"-18 Whiz Lock Nut	18

Figure 5



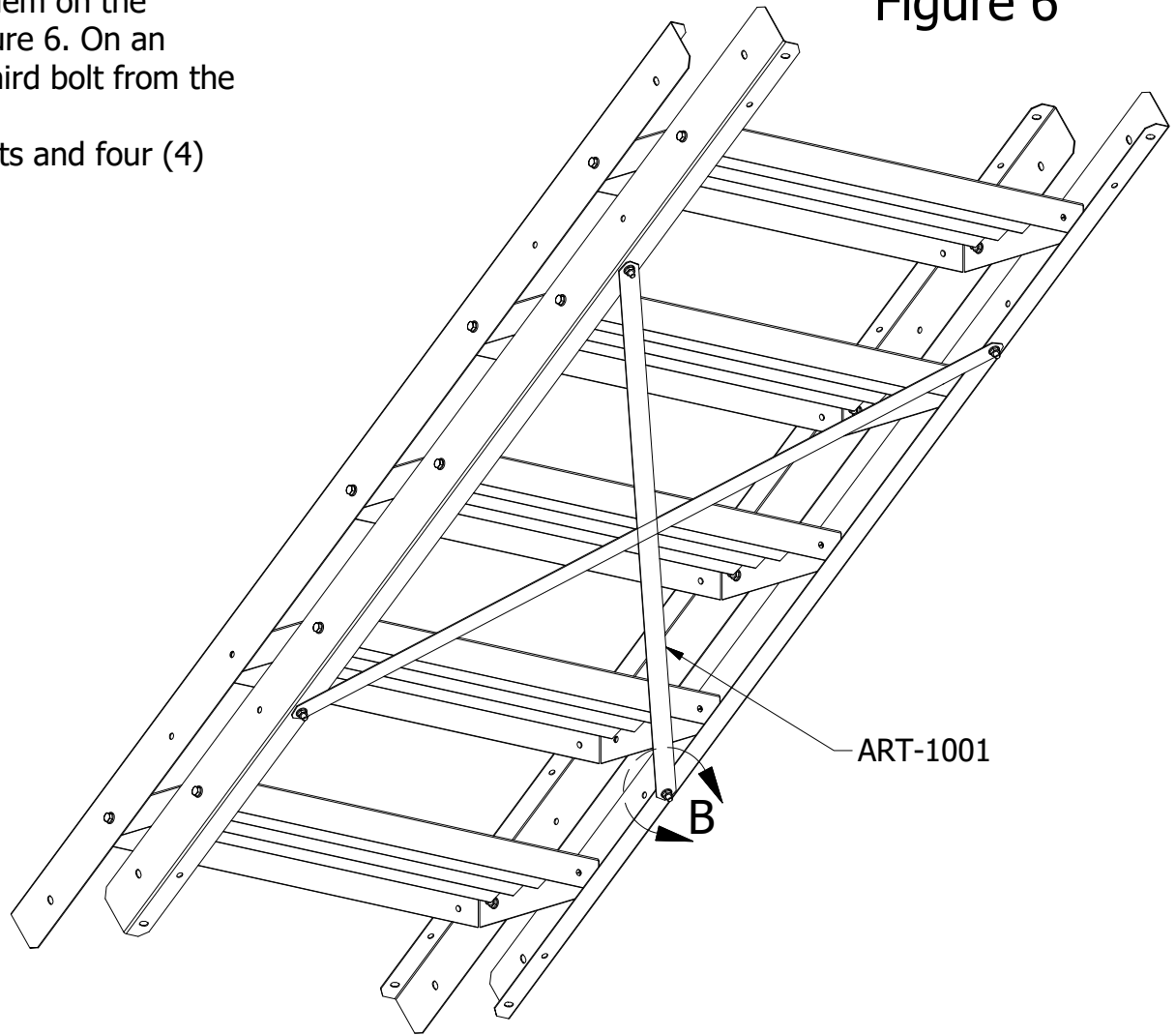
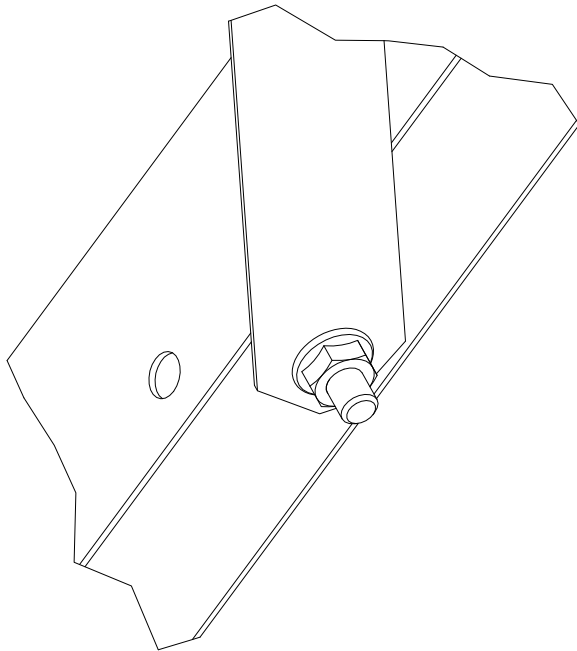
DRAWN Marcus Wilmsmeyer	1/17/2019	Greene Galvanized Stairs East Lynn, IL 217.375.4244 www.greenebinsstairs.com	
CHECKED		TITLE A-Series Roof Stairs - 5-Step Assembly Instructions	
QA		SIZE A	DWG NO IN-ART5005
MFG		SCALE 1/11	REV
APPROVED		SHEET 6 OF 9	

Step 4

- A. Take the two (2) Cross Braces and position them on the bottom of the stair assembly as shown in Figure 6. On an ART5005, these braces will line up with the third bolt from the end on the siderails.
- B. Secure in place with four (4) 5/16" Flange Bolts and four (4) 5/16" Lock Nuts.

Figure 6

DETAIL B



PARTS USED IN STEP 4		
PART NUMBER	DESCRIPTION	QTY
5/16-18x3/4FB	5/16"-18 x 3/4" Flange Bolt	4
5/16-18SFN	5/16"-18 Whiz Lock Nut	4
ART-1001	Roof Stair Cross Brace	2

DRAWN Marcus Wilmsmeyer	1/17/2019	Greene Galvanized Stairs East Lynn, IL 217.375.4244 www.greenebinstairs.com	
CHECKED		TITLE A-Series Roof Stairs - 5-Step Assembly Instructions	
QA		SIZE A	DWG NO IN-ART5005
MFG		SCALE 1/11	REV
APPROVED		SHEET 7	OF 9

Step 5

- A. Using six (6) 5/16" Flange Bolts and six (6) 5/16" Lock Nuts, bolt the siderails to the leveling bracket. Review Figures 7 and 8 for the bolt layout.
- B. Tighten the bolts on the leveling plates after the final placement on the roof.

PARTS USED IN STEP 5		
PART NUMBER	DESCRIPTION	QTY
5/16-18x3/4FB	5/16"-18 x 3/4" Flange Bolt	6
5/16-18SFN	5/16"-18 Whiz Lock Nut	6

Figure 7

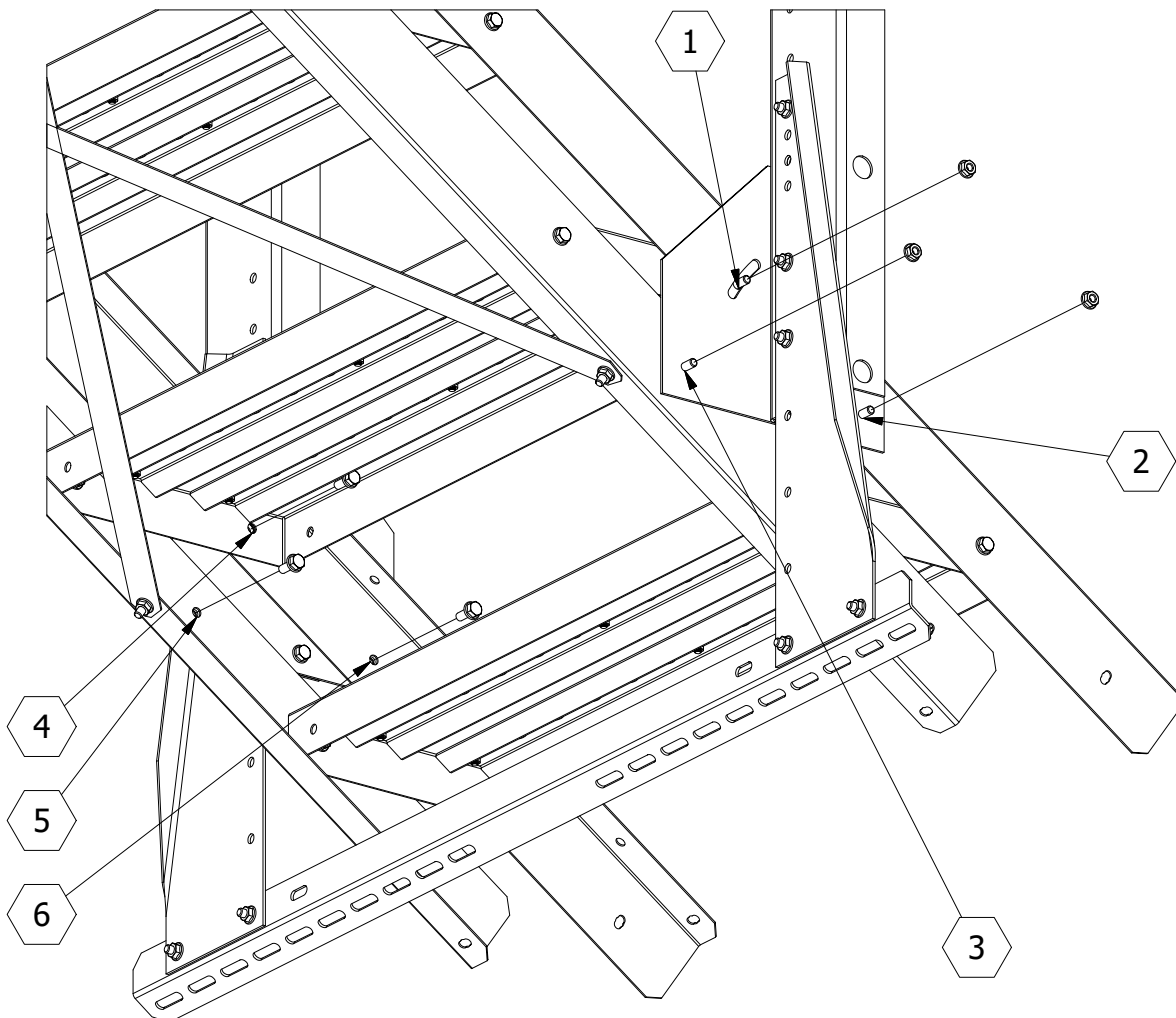
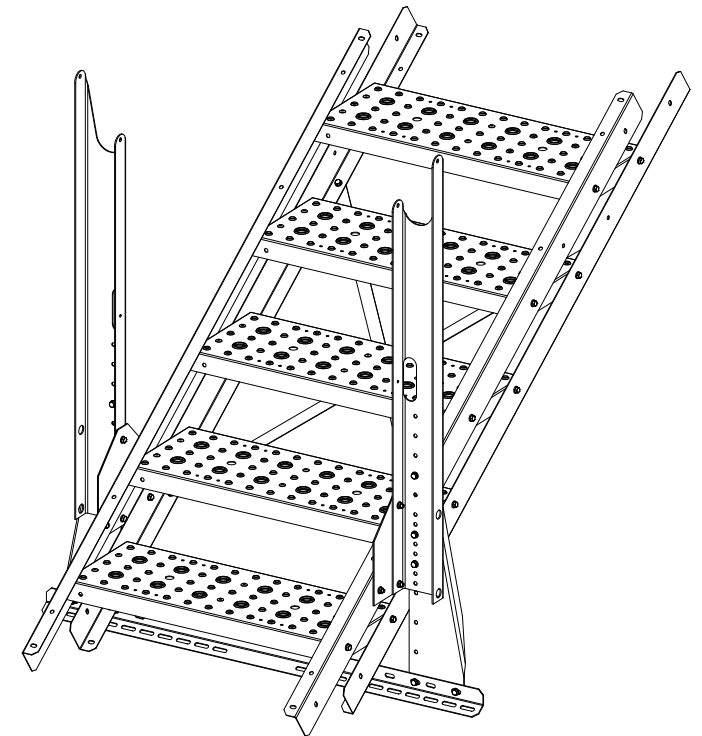


Figure 8

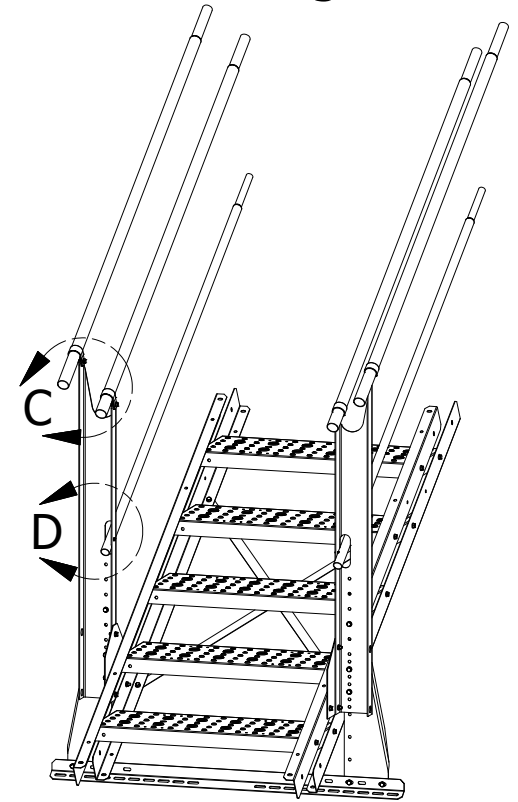


DRAWN Marcus Wilmsmeyer 1/17/2019 CHECKED QA MFG APPROVED	Greene Galvanized Stairs East Lynn, IL 217.375.4244 www.greenebinstairs.com
TITLE A-Series Roof Stairs - 5-Step Assembly Instructions	DWG NO IN-ART5005
SIZE A	REV
SCALE 1/18	SHEET 8 OF 9

Step 6

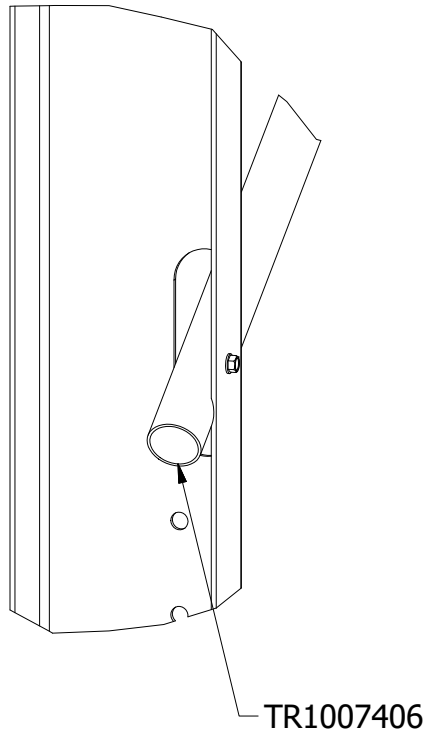
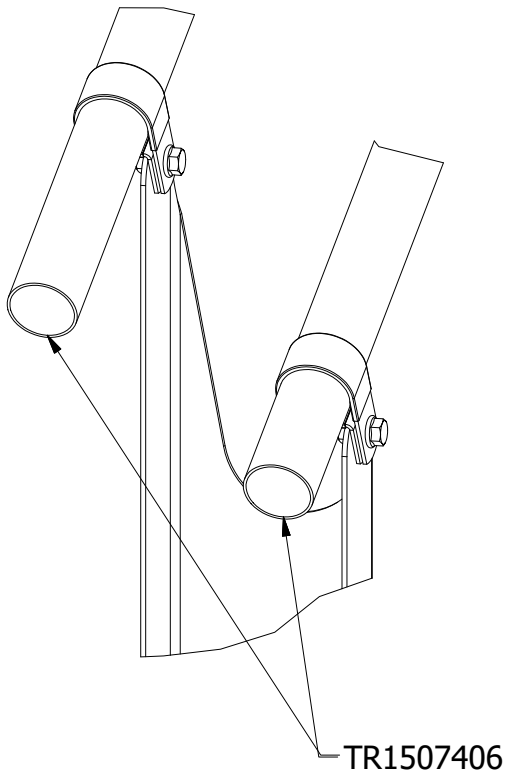
- A. Taking the four (4) TR1507406 Swaged Pipes (1.5" dia.), position the pipes as shown in Figure 9, Detail C. Secure the pipes to the posts using four (4) HRC1500 P-Clamps, four (4) 5/16" Flange Bolts, and four (4) 5/16" Lock Nuts.
- B. After the four TR1507406 have been position to the desired location, use four (4) Self-Tapping Screws and secure the 1.5" pipe to the P-Clamp. The screws should be drilled through the bottom of the P-clamp, to minimize interference with hands.
- C. Take the two (2) TR1007406 Swaged Pipes (1" dia.), and position them as shown in Figure 9, Detail D. Secure them to the posts by using two (2) Self-Tapping Screws. There is a hole on the post to aid in starting the Self-Tapping Screw.

Figure 9



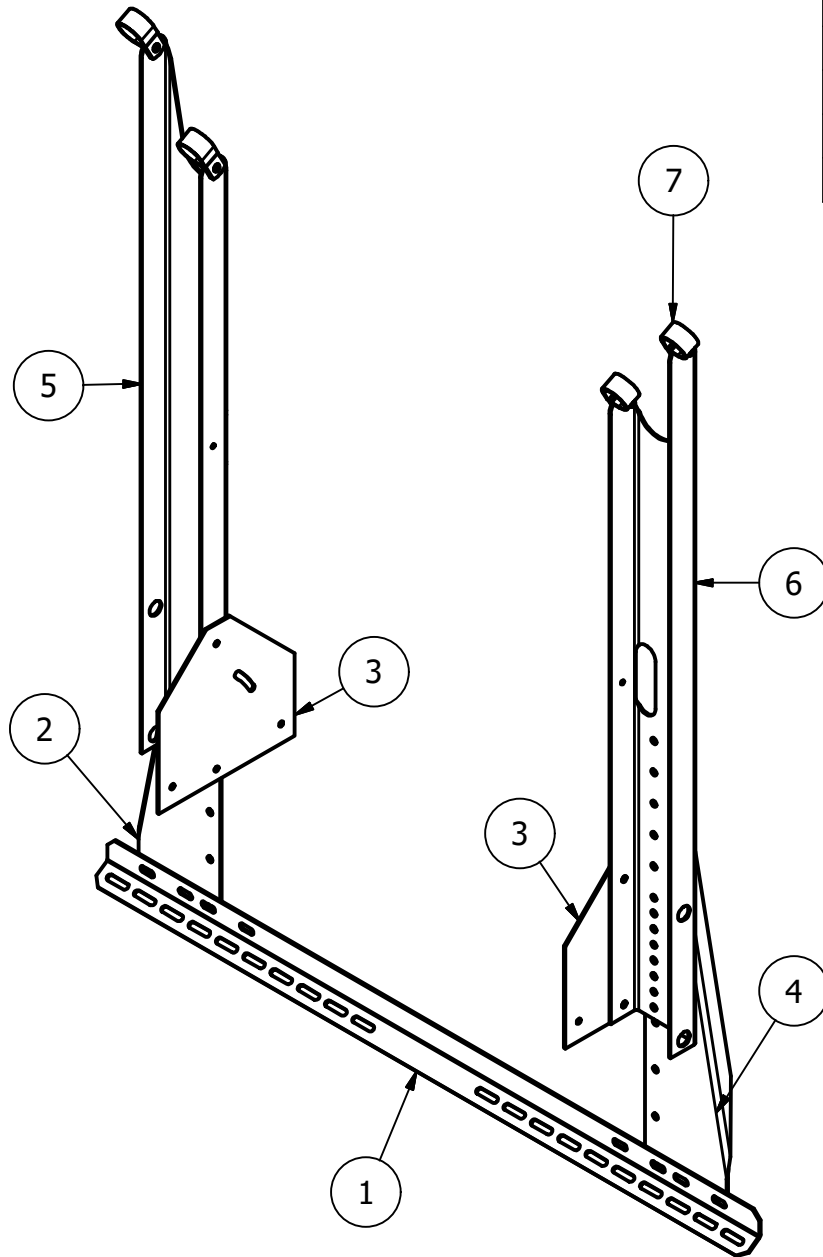
DETAIL C

DETAIL D



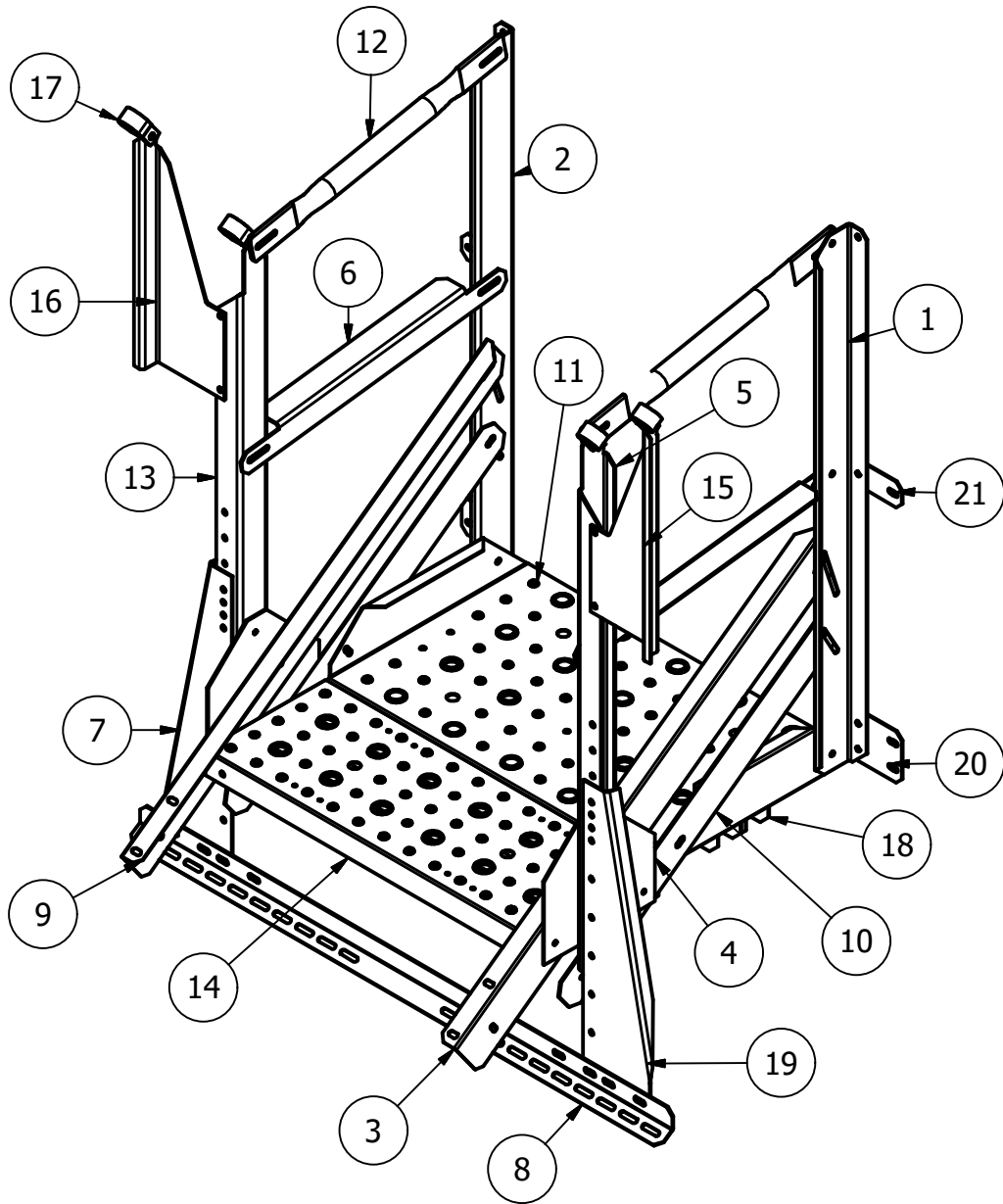
PARTS USED IN STEP 6		
PART NUMBER	DESCRIPTION	QTY
5/16-18x3/4FB	5/16"-18 x 3/4" Flange Bolt	4
5/16-18SFN	5/16"-18 Whiz Lock Nut	4
TR1507406	74 in 1.5 Swaged Tubing 6" swage	4
TR1007406	74 in 1.5 Swaged Tubing 6" swage	2
HRC1500	1.5" Handrail P-Clamp	4
Floor Screws	Self-Tapping Screw	6

DRAWN Marcus Wilmsmeyer	1/17/2019	Greene Galvanized Stairs East Lynn, IL 217.375.4244 www.greenebinsstairs.com	
CHECKED		TITLE A-Series Roof Stairs - 5-Step Assembly Instructions	
QA		SIZE A	DWG NO IN-ART5005
MFG		SCALE 1/25	REV
APPROVED		SHEET 9	OF 9



PARTS LIST			
ITEM	QTY	PART NUMBER	DESCRIPTION
1	1	ES-5015	Easy Step Roof Stair Mount
2	1	ART-1007	Roof Stair Post Brace Left
3	2	ART-1011	Roof Stair Leveling Plate
4	1	ART-1004	Roof Stair Post Brace Right
5	1	ART-1015	Post, Stair Rail, Guard Rail Left
6	1	ART-1016	Post, Stair Rail, Guard Rail Right
7	4	HRC1500 and screw	

DRAWN	3/20/2019	Greene Galvanized Stairs	
CHECKED		East Lynn, IL 217.375.4244	
QA		www.greenebinstairs.com	
MFG		TITLE	
APPROVED		A-Series Roof Stair Top Post Package	
		SIZE	DWG NO
		A	ART5010 032019
		SCALE	1/10
		SHEET	1 OF 1



PARTS LIST

ITEM	QTY	PART NUMBER	DESCRIPTION
1	1	ART-1009	Entry Post Right
2	1	ART-1008	Entry Post Left
3	1	ART-5055	Entry Siderail Right
4	2	ART-1011	Roof Stair Leveling Plate
5	1	ART-1005	Right Stair Post
6	2	ART-2015	Entry Section Mid Rail
7	1	ART-1007	Roof Stair Post Brace Left
8	1	ES-5015	Easy Step Roof Stair Mount
9	1	ART-5054	Entry Siderail Left
10	2	ART-5056	Entry Siderail Lower
11	1	AS-00068	Entry Landing Step
12	2	Entry Section Round Handrail	Walkaround Top Rail
13	1	ART-1006	Left Stair Post
14	1	AS00030_Tread	Tread 30 x 11 Step Assembly
15	1	GRT-0001	
16	1	GRT-0002	
17	4	HRC1500 and screw	
18	2	AS-40036	Channel Landing Support
19	1	ART-1004	Roof Stair Post Brace Right
20	2	ARD-0021	Entry Kickboard
21	2	ARD-0022	Entry Mid-Rail

DRAWN	3/20/2019	Greene Galvanized Stairs	
CHECKED		East Lynn, IL 217.375.4244	
QA		www.greenebinsstairs.com	
MFG		TITLE	
APPROVED		Peak Top Step Kit	
SIZE	A	DWG NO	ART5001 032019
SCALE	1/12	REV	
		SHEET	1 OF 1