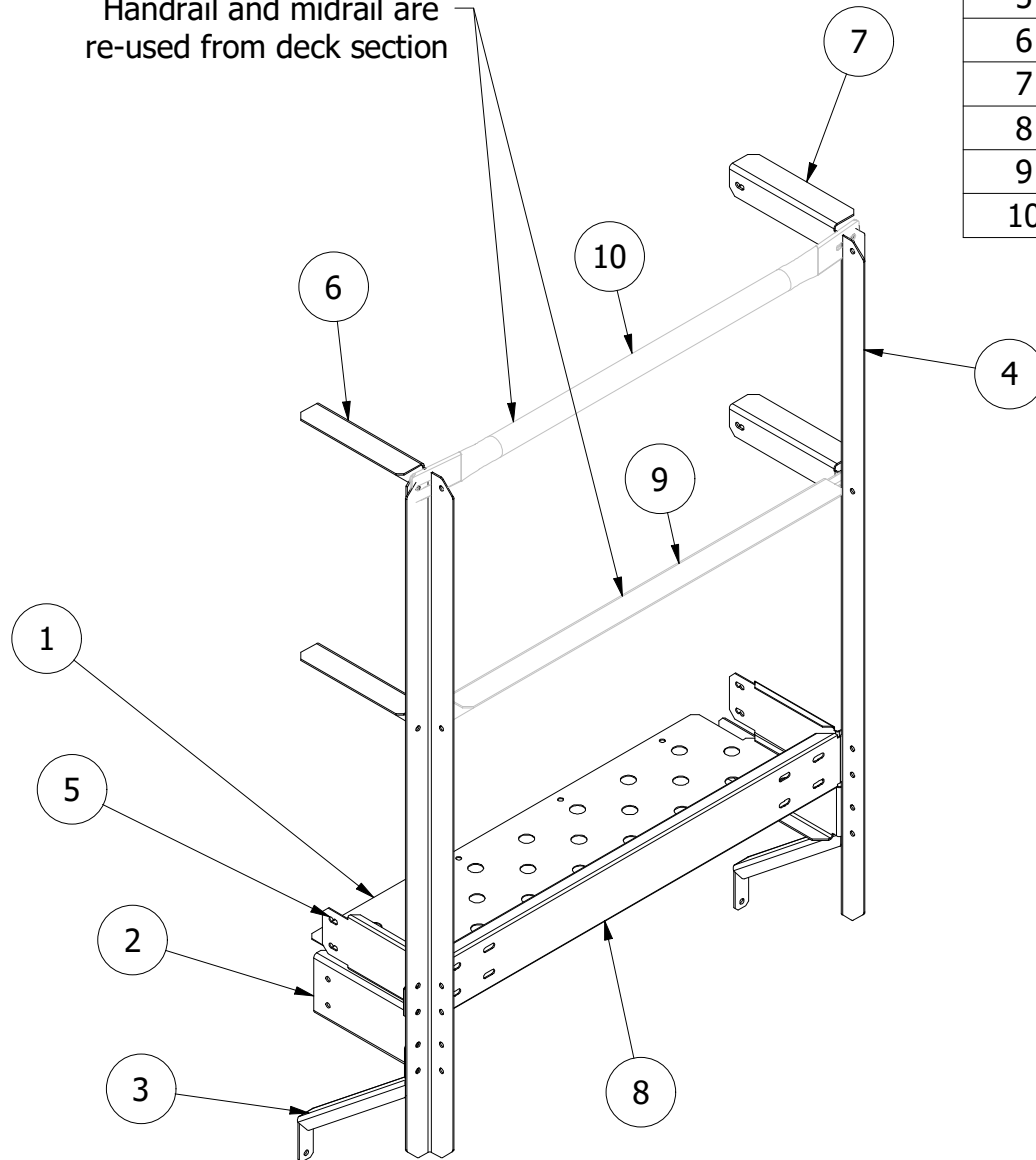


ARD0010 Landing Extension

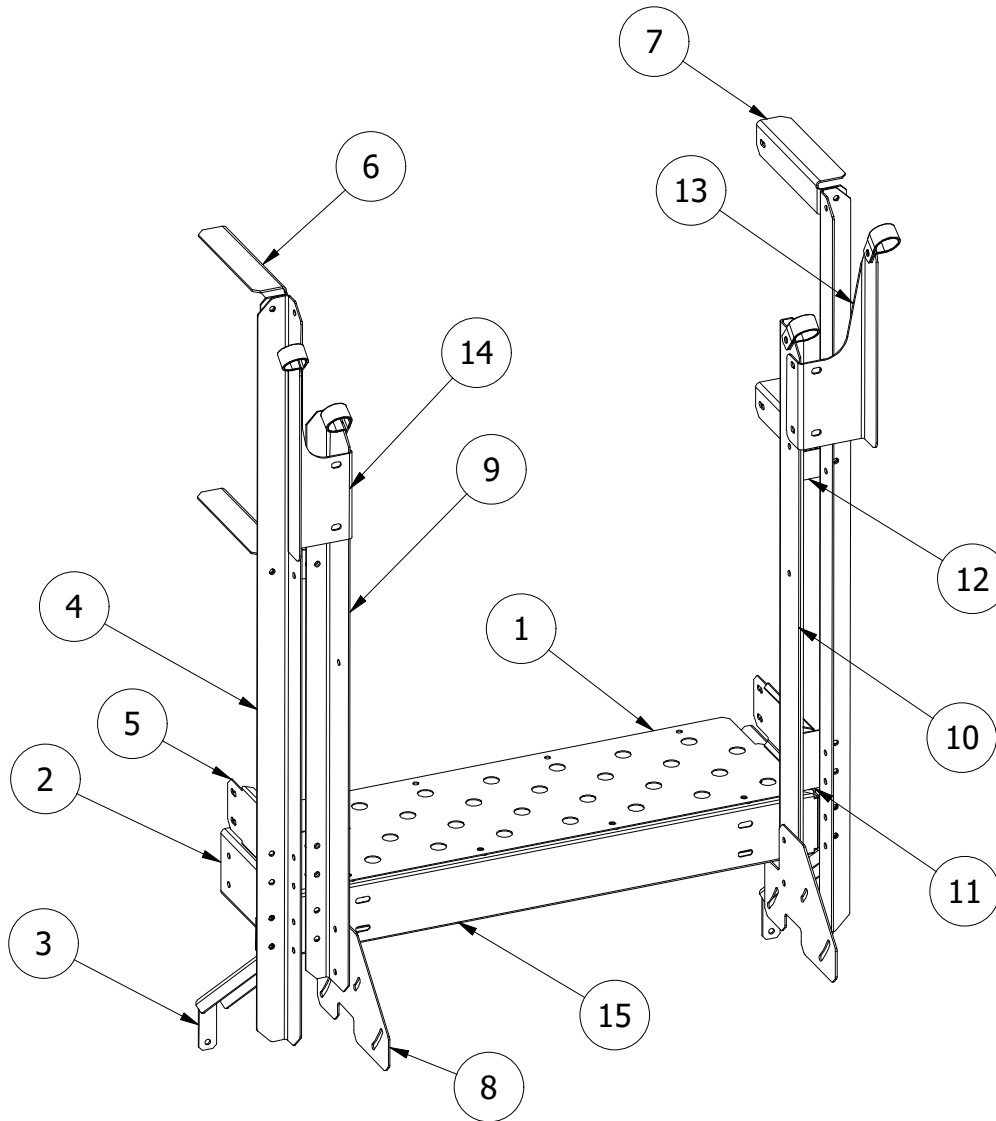
PARTS LIST

ITEM	QTY	PART NUMBER	DESCRIPTION
1	1	ARD-0010	Deck, midroof landing
2	2	ARD-0005	riser, midroof landing
3	2	ARD-0023	kicker brace
4	2	ARD-0024	Landing post
5	2	ARD-0011	side kickboard
6	2	ARD-0013	handrail end, left
7	2	ARD-0012	handrail end, right
8	1	ARD-1021	A-Series Deck Outer Kickboard
9	0	ARD-1025	Mid-Rail
10	0	ARD-1024	39.5, 1.5" railing slotted end tabs

Handrail and midrail are re-used from deck section



ARD0010 Stair Entry

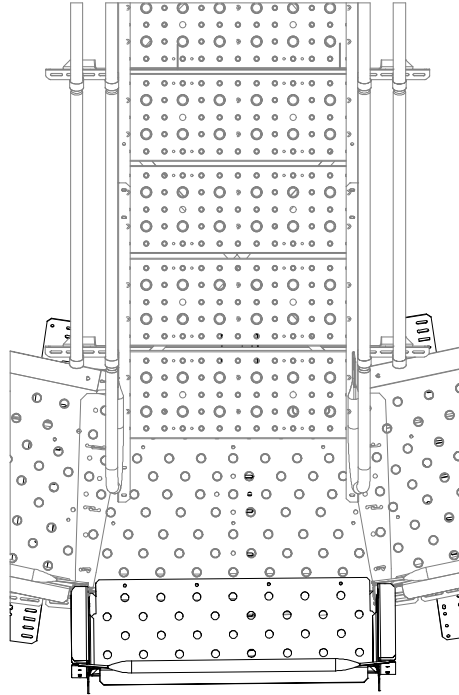


PARTS LIST

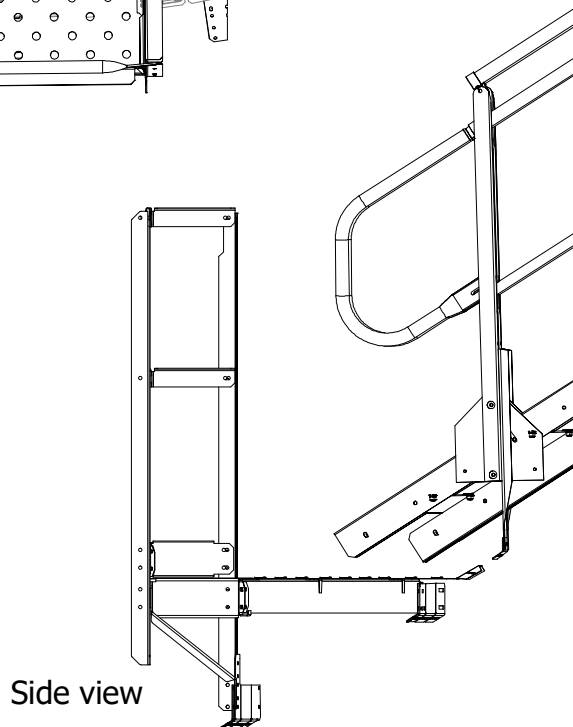
ITEM	QTY	PART NUMBER	DESCRIPTION
1	1	ARD-0010	deck, midroof landing
2	2	ARD-0005	riser, midroof landing
3	2	ARD-0023	kicker brace
4	2	ARD-0024	Landing Post
5	2	ARD-0011	side kickboard
6	2	ARD-0013	handrail, end, left
7	2	ARD-0012	handrail, end, right
8	2	ARD-1008	Entry Leveling Plate
9	1	ARD-0004	Left Entry Post
10	1	ARD-0003	Right Entry Post
11	2	ARD-0021	Entry Kickboard
12	2	ARD-0022	Entry Mid-Rail
13	1	ART-0007	Entry Guardrail Post Right
14	1	ART-0008	Entry Guardrail Post Left
15	1	ARD-1021	Deck Outer Kickboard

ARD0010 Installation

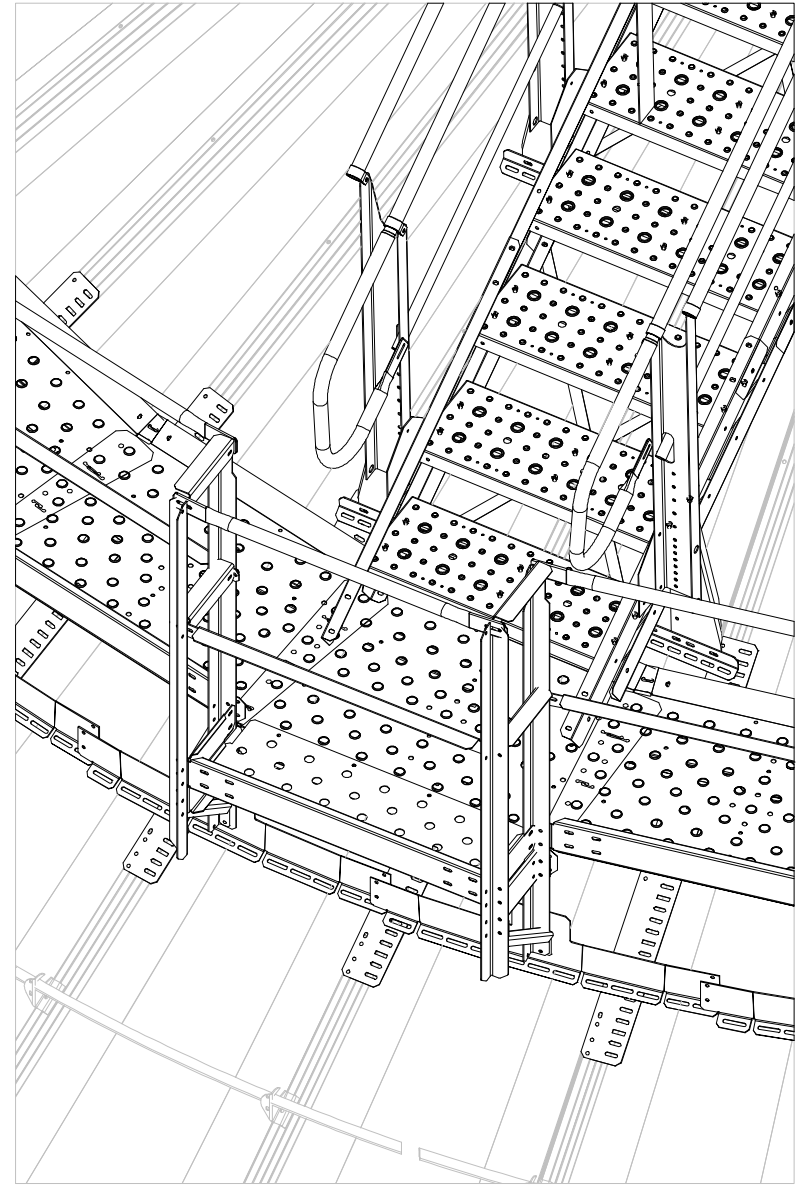
Landing Extension



Top view



Side view

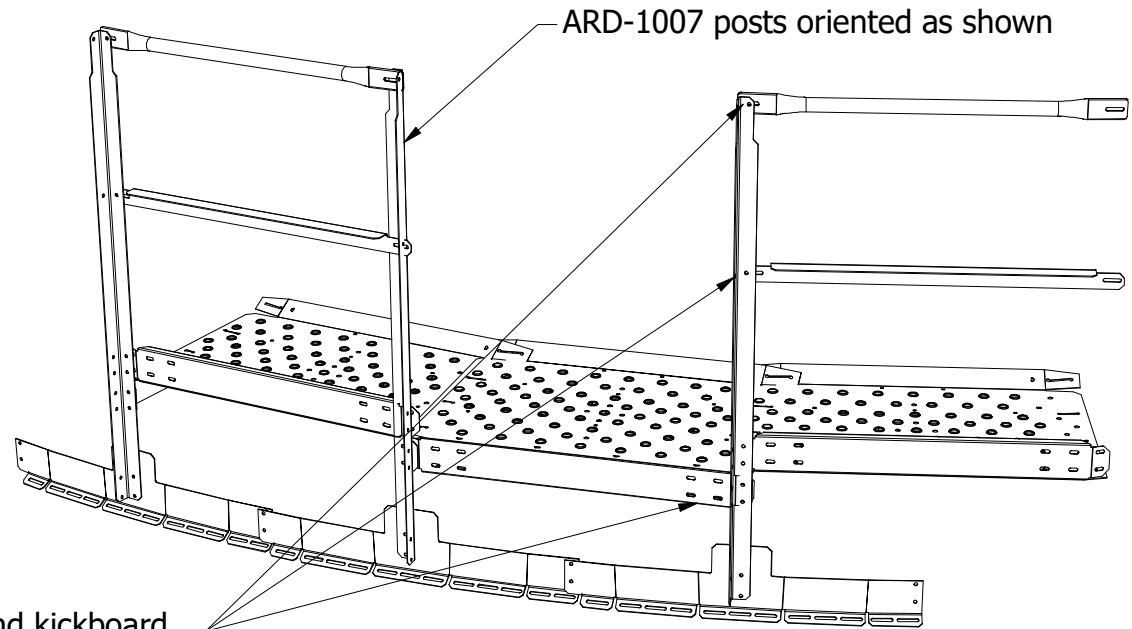


The enclosed landing configuration provides a 30" landing at the base of the roof stairs above a roof walkaround.

The installation of the landing requires a slightly different assembly of the deck section where it will be attached.

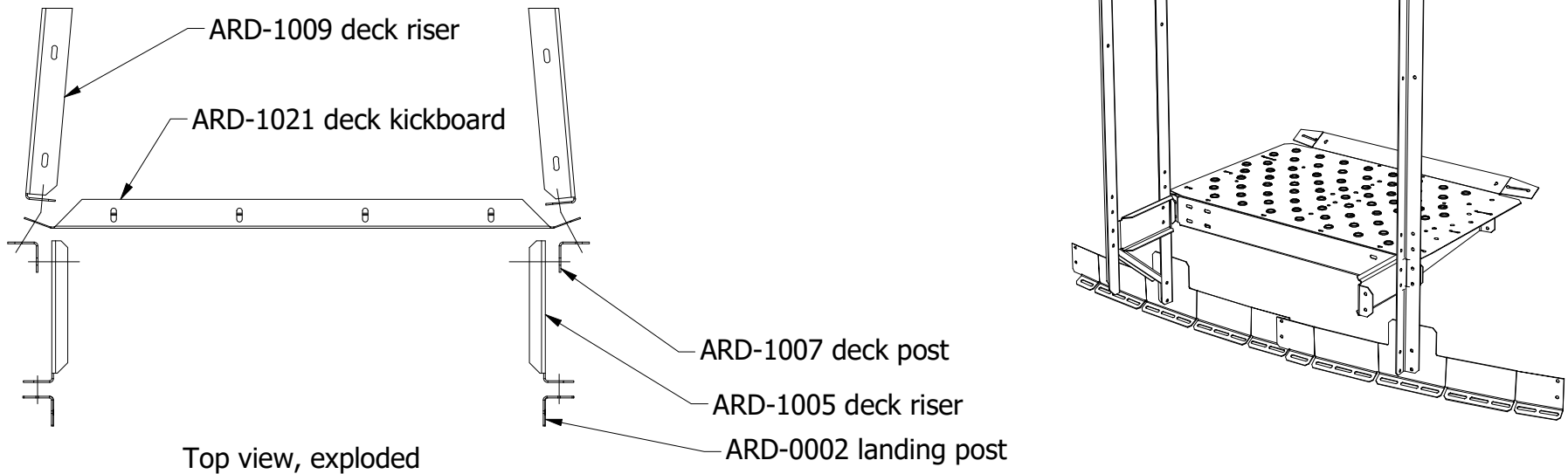
ARD0010 Installation

Modify Deck Section



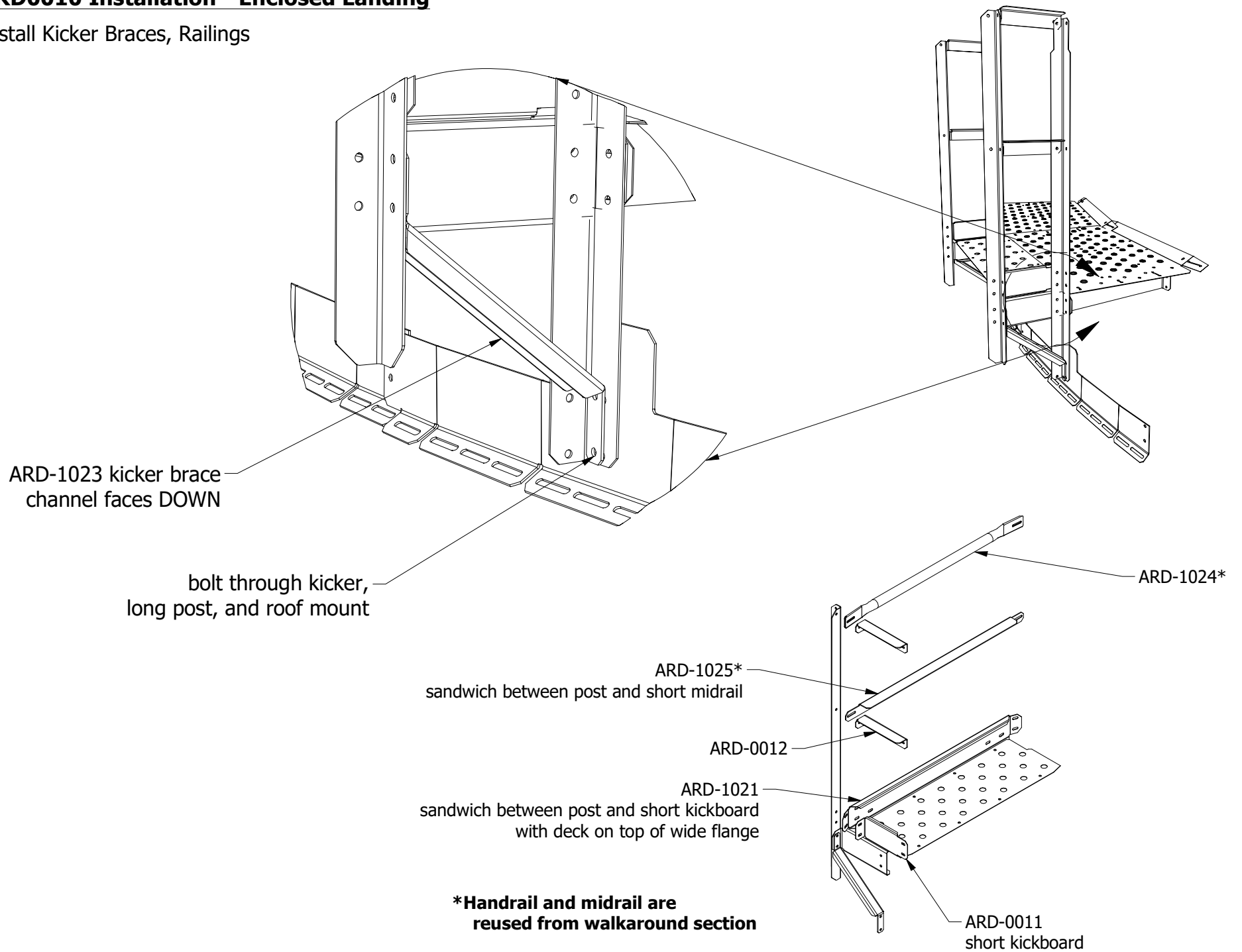
Remove or forgo installation of handrail, midrail, and kickboard for the deck section being extended.

Move the kickboard below the deck surface and bolt between ARD-1009 deck riser & ARD-1007 deck post. See exploded view below:



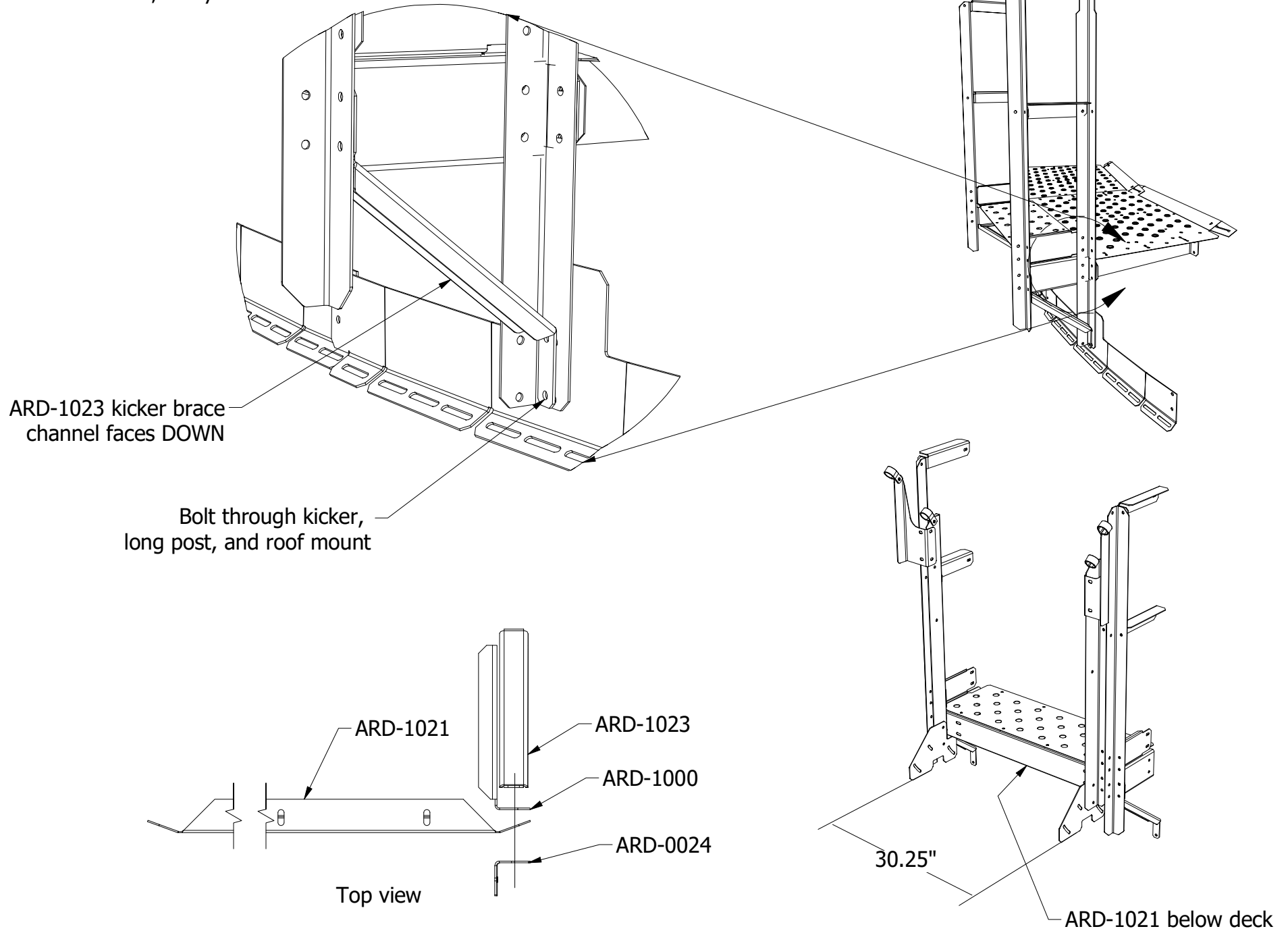
ARD0010 Installation - Enclosed Landing

Install Kicker Braces, Railings



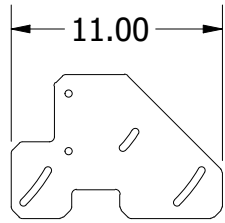
ARD0010 Installation - Stair Entry

Install Kicker Braces, Entry Posts

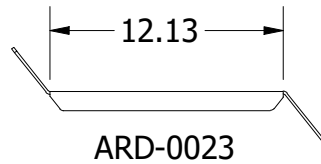


ARD0010 Package - All Included Components

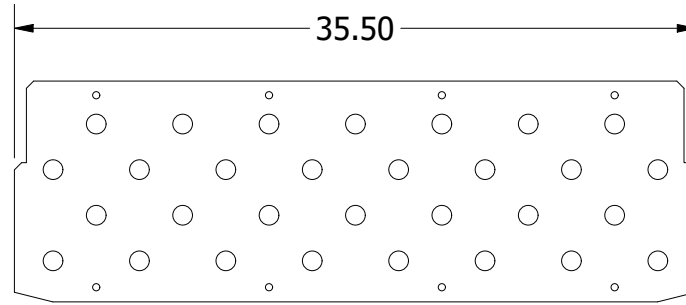
Both configurations can be built from this package



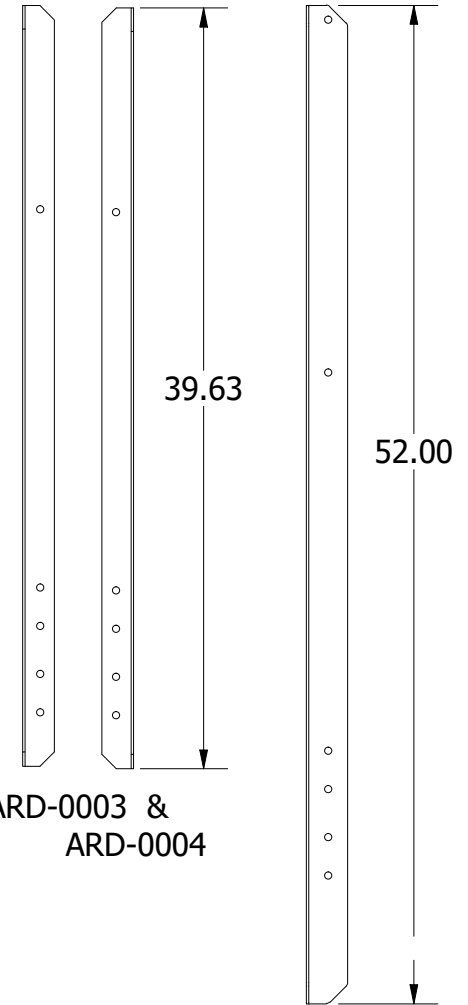
ARD-1008



ARD-0023

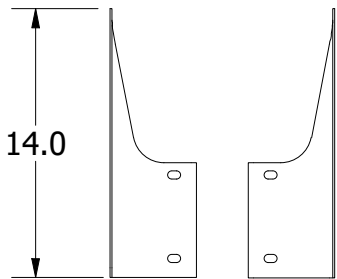


ARD-0010

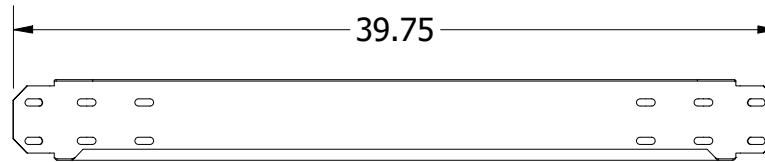


ARD-0003 &
ARD-0004

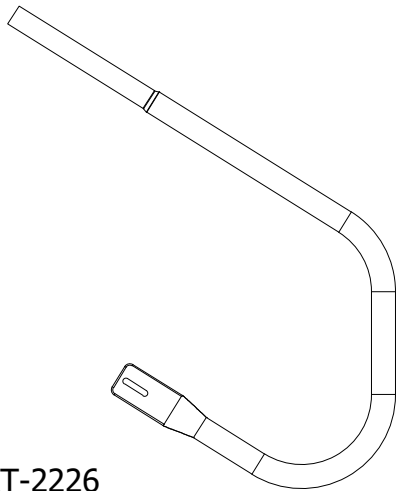
ARD-0024



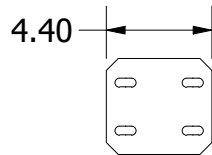
ART-0008 & ART-0007



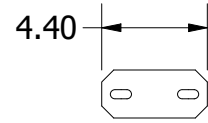
ARD-1021



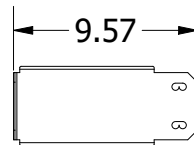
ART-2226



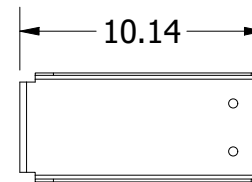
ARD-0021



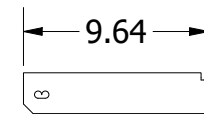
ARD-0022



ARD-0011



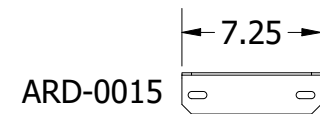
ARD-0005



ARD-0012



ARD-0013



ARD-0015